

Fireplace Doors



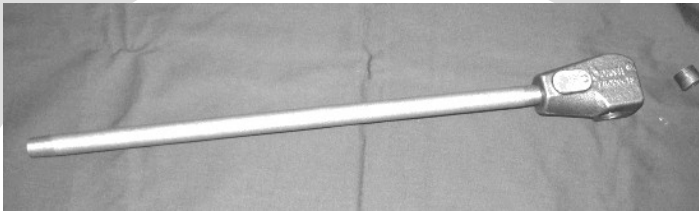
Online

OUTFITTING YOUR HOME IN
Style

©

Fireplace Doors Online

LOG LIGHTER



INSTALLATION INSTRUCTIONS



READ ALL INSTRUCTIONS BEFORE BEGINNING YOUR LOG LIGHTER INSTALLATION. FAILURE TO FOLLOW INSTRUCTIONS AS DETAILED WILL VOID YOUR WARRANTY AND MIGHT RESULT IN A FIRE HAZARD.

PLEASE FOLLOW THE GUIDELINES BELOW FOR THE SAFE USE AND CARE OF YOUR FIREPLACE:

- ÿ All gas connections and log lighters should be **installed by a professional technician** in accordance with local building codes.
- ÿ **All systems should be pressure-tested** before any finishing work begins around the fireplace.
- ÿ Pipe sealant designed for gas should be used on **all threaded connections**.
- ÿ The orifice in the burner should be free of all debris. **Always clean before using.**
- ÿ All pipes and fittings included in this kit exceed ANSI standards.
- ÿ Fireplace Doors Online assumes no responsibility or liability for loss or damage **due to faulty installation or manufacturer defects.**

REFERENCE INFORMATION

We recommend that you staple your receipt to this page, fill out the fields below for your future reference and keep these instructions in a safe place.

Purchase date:	
Model purchased:	
Name of installer:	Date of Installation:
Street Address of Installer:	Installer Phone #:
City, State of Installer:	Zip Code:
Your notes & remarks:	

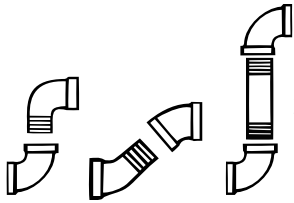
If you have questions or comments about this document, please contact:

Fireplace Doors Online
21701 Route 6
Warren, PA 16365

Call toll-free **1-877-373-6677** or email **cjshomedecor@gmail.com**

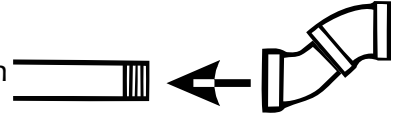
HEARTH MOUNT INSTALLATION INSTRUCTIONS

1.) Starting from the burner, select nipple that will center burner in firebox. Tighten nipple to burner.

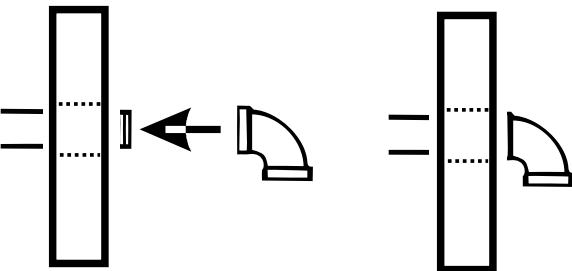
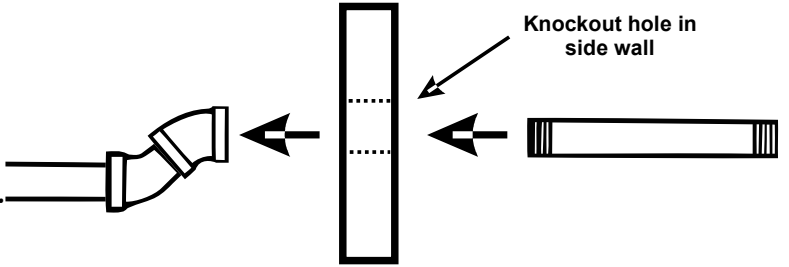


Examples of fittings

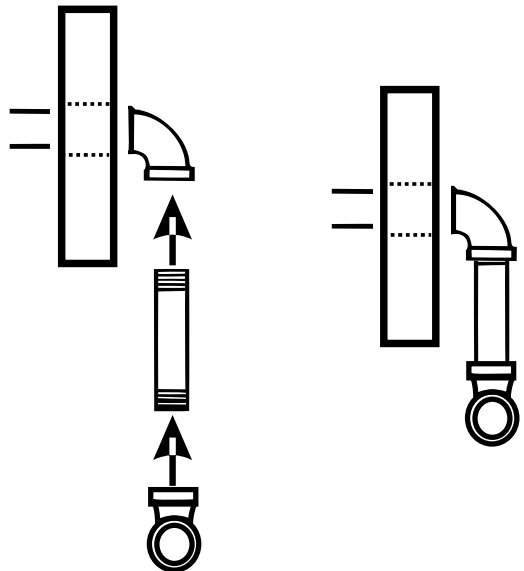
2.) Select and tighten the appropriate elbow fitting combination to reach gas line knockout located in side wall of firebox and tighten to nipple from Step 1.



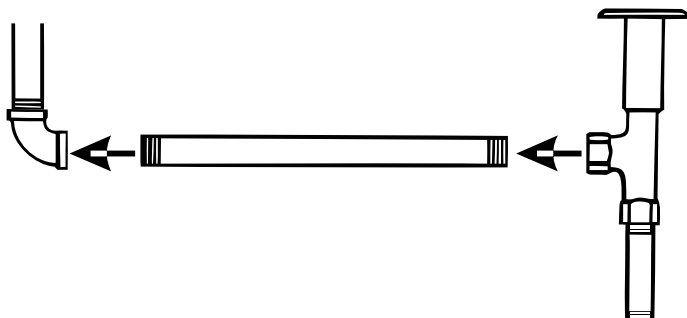
3.) Insert pipe nipple through knockout and tighten into last elbow in Step 2 configuration.



4.) Tighten one (1) 90° elbow to the end of pipe nipple that has been placed through the knockout in Step 3 such that the elbow is outside the box, facing downward.




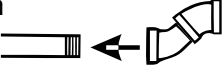
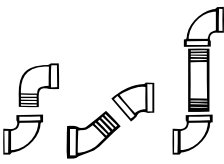
5.) Combine the appropriate length nipple with an additional 90° elbow. Connect with the elbow from Step 4, tighten such that the Step 5 elbow is facing front of the firebox.

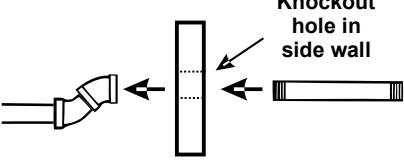


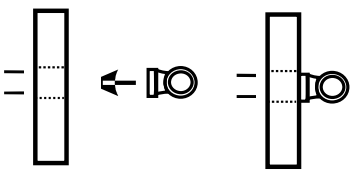
6.) Tighten angle valve and longer nipple (18" or 21") into elbow in Step 5 and add appropriate length nipple to bottom of valve for gas hook-up.

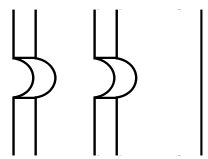
WALL MOUNT INSTALLATION INSTRUCTIONS

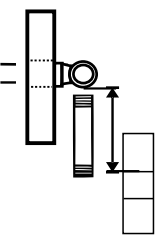
- 1.) Starting from the burner, select nipple that will center burner in firebox 
Tighten nipple to burner.

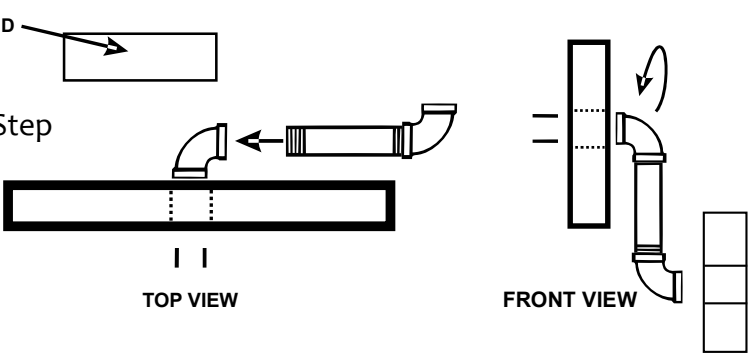
- 2.) Select and tighten the appropriate elbow fitting combination to reach gas line knockout located in side wall of firebox and tighten to nipple from Step 1. 
- Examples of fittings* 

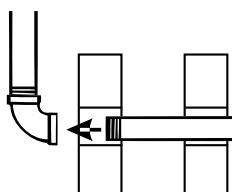
- 3.) Insert pipe nipple through knockout and tighten into last elbow in Step 2 configuration. 

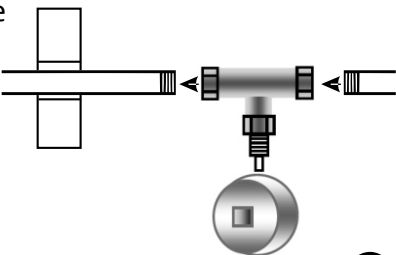
- 4.) Tighten one (1) 90° elbow to the end of pipe nipple that has been placed through the knockout in Step 3 such that the elbow is outside the box, facing forward toward front of firebox. 

- 5.) Notch the face of appropriate studs for pipe, making sure that depth of notch does not exceed local building codes. 

- 6.) Select and tighten appropriate length nipple into last elbow in Step 4 such that the nipple end reaches the notches from Step 5. 

- 7.) Tighten one (1) 90° elbow to nipple from Step 6 such that the elbow turns down the stud wall through notches from Step 5. 

- 8.) Tighten one (1) long pipe nipple into elbow from Step 7 so that nipple runs through the notches from Step 5, making sure that this nipple is long enough to locate valve past any firebox facing material, mantel, or other restrictive things. 

- 9.) Tighten valve into the end of pipe nipple from Step 7, making sure that the gas flow indicator (shaped like an arrow) on the valve body is pointing in the correct direction. 

- 10.) Apply FHA straps or stud guards, as approved by local building code, over notches. 