

OWNER'S MANUAL

This Hearth Craft glass enclosure is designed for use with vented Class A chimney (lined with clay, tile, porcelain or stainless steel). If in doubt, check with your building inspector. Be sure flue and firebox are free of creosote and cracks (read "Creosote", page 3). If your fireplace is new, check for "Acid Hearth", page 3.

Do not use in factory-built (zero-clearance) fireplaces. Consult the retail operation that sold you this enclosure for information about Hearth Craft glass enclosures designed for factory built (zero-clearance) fireplaces.

INSTALLATION TIPS FOR GLASS FIREPLACE ENCLOSURES

1. Read and understand the instructions, owners manual and warranty. Should you have any questions, call the dealer that you purchased your enclosure from.
2. Prior to removing protective plastic film from your glass enclosure finish, be sure the glass enclosure fits your fireplace opening.
NOTE: Hearth Craft will not accept returns on glass enclosures with the plastic film removed.
3. Do not install your glass enclosure until you have read "ACID HEARTH", Page 3.
4. Install with fiberglass insulation.
5. Place wood or gas log grate and/or andirons to the back of your fireplace, at least 6" away from the enclosure.
6. Avoid large, hot fires from wood or gas logs. Excessive temperatures can cause frame discoloration, frame warpage and even glass breakage. Hearth Craft does not cover discoloration, frame warpage or glass breakage due to excessive heat.
7. Burn with your doors open.
8. Do not allow burning logs to contact glass.
9. Keep combustibles away from the fireplace.
10. Do not clean glass doors while they are hot, breakage may occur.
11. Open and close doors evenly and fully.
12. Mesh curtain is included for total enjoyment and safety

SAVE THESE INSTRUCTIONS

**GLASSDOOR
FIRESCREEN**

HEARTH CRAFT

A Division of BottomLine Management, Inc.

TABLE OF CONTENTS

| | |
|------------------------------|---|
| FRONT COVER | Installation Tips |
| PAGE 3 | Important Information <ul style="list-style-type: none">➤ Acid Hearth➤ Creosote➤ Ash Disposal |
| PAGE 4 | ULTRAVIEW & BRILLIANCE Installation |
| PAGE 5 | Optional Installation for ULTRAVIEW and BRILLIANCE Bottom Mounting Installation (All Hearth Craft glass enclosures) |
| PAGE 6 | HORIZON & MYSTIQUE Installation |
| PAGE 7 | SENTRY, CLASSIC & SLIMLINE Installation |
| PAGE 8 | Optional Installation |
| PAGE 9 | Troubleshooting |
| PAGE 10 | Building a Fire Care and Cleaning |
| PAGE 11 | Parts Listing |
| BACK COVER | 5 Year Limited Warranty |

IMPORTANT INFORMATION... Please read before installing your enclosure

ACID HEARTH: Hydrochloric (muriatic) acid is often used by builders to clean excess mortar from new fireplaces. The fumes from this acid are highly corrosive and will damage the finish on your fireplace fixtures or other nearby metal objects. This corrosive action damages brass, steel and iron and can last for many years if not neutralized. Consult your builder/mason for correction.

The following suggestion while not a guaranteed remedy, may aid in correcting this condition.

1. To neutralize, saturate the masonry with ammonia water or a hearth cleaner. Use care to avoid contact with adjacent carpet, floor etc.
2. Rinse thoroughly with clean, warm water;
3. Rinse several times with cool water to remove all ammonia;
4. Allow hearth to dry and seal with a hearth sealer.

Any acidic or caustic material used around your fireplace can damage the finish of your enclosure. This includes some mortars or sealants that may be used to install and seal enclosures and some paints used on fireplace faces.

“Hearth Craft ASSUMES NO RESPONSIBILITY FOR DAMAGES CAUSED TO GLASS ENCLOSURES CAUSED BY ACID HEARTH”

CREOSOTE FORMATION AND THE NEED FOR REMOVAL: Wood never burns completely. Wood smoke is a combination of unburned gases and a fog of unburned tar-like liquids. When these gases come in contact with a cool surface they will condense and form a nasty brown or black substance which has an unpleasant, acrid odor. This is creosote. When ignited, creosote makes an extremely hot fire. The chimney connector and chimney should be inspected at least twice monthly during the heating season to determine if a creosote buildup has occurred. If creosote has accumulated, it should be removed to reduce the risk of a chimney fire.

HOW TO MINIMIZE CREOSOTE

1. Burn only seasoned hardwoods;
2. Do not allow the fire to smolder overnight;
3. Do not burn trash in your fireplace;
4. Check for buildup at least two times per month during the burning season. (You can check for creosote by opening the damper and looking into the smoke chamber with a flashlight. Take a screwdriver and scratch through the buildup to the masonry. If the buildup is more than 1/4”, a clean-up is due. If the chimney is a factory built metal type, it should be cleaned after 1/8” buildup. The smoke chamber is where the fire starts, not the top of the chimney.)

ASH DISPOSAL: Ashes should be placed in a metal container with a tight-fitting lid. The closed container of ashes should be placed on a noncombustible floor or on the ground, well away from all combustible materials, pending final disposal. If the ashes are disposed of by burial in soil or otherwise locally dispersed, they should be retained in the closed container until all cinders have thoroughly cooled.

ULTRAVIEW & BRILLIANCE

INSTALLATION INSTRUCTIONS

1 ALWAYS lift enclosure by sides. NEVER top bar.

Remove enclosure from box and lean upright against the wall.

Remove and save fiberglass and hardware kit from the box. Remove contents from hardware kit and check against parts list on page 11.

2 FIG.A: Place T-bracket in slots on back of baffle. T-bracket will raise or lower as needed to fit lintel bar height.

Screw thumbscrews into lintel clamps.

Put machine screws into lintel clamps DO NOT TIGHTEN.

Apply two-way adhesive strip to top of baffle. Pull the protective cover from strip and apply insulation to adhesive and around T-bracket. Repeat this for both upright sides as well. Use only as much insulation as needed to provide a seal against the face of the opening.

With doors in a folded and 180 degree open position, center enclosure with firebox.

Position T-bracket to lintel bar, with pencil mark T-bracket location on lintel.

Remove enclosure from the opening.

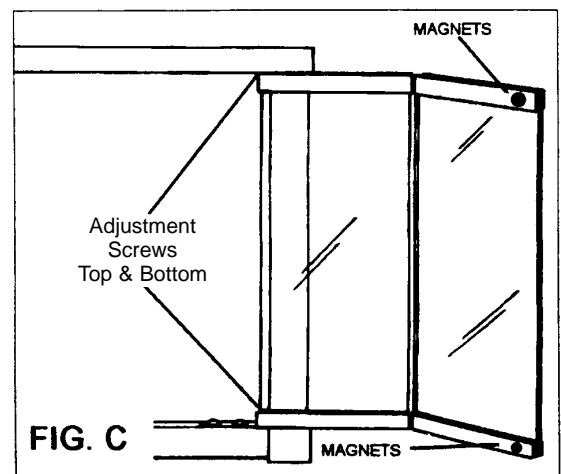
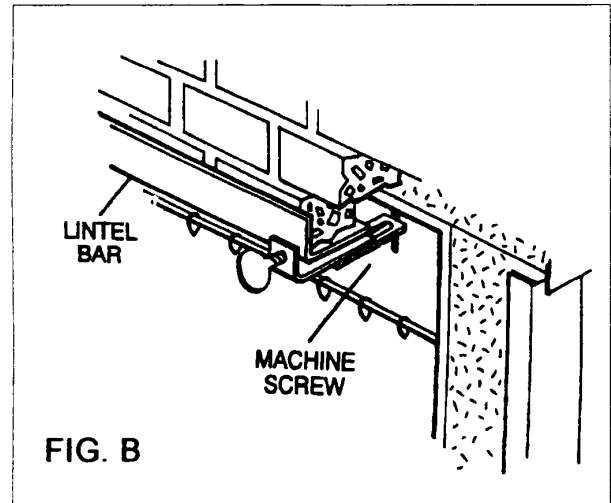
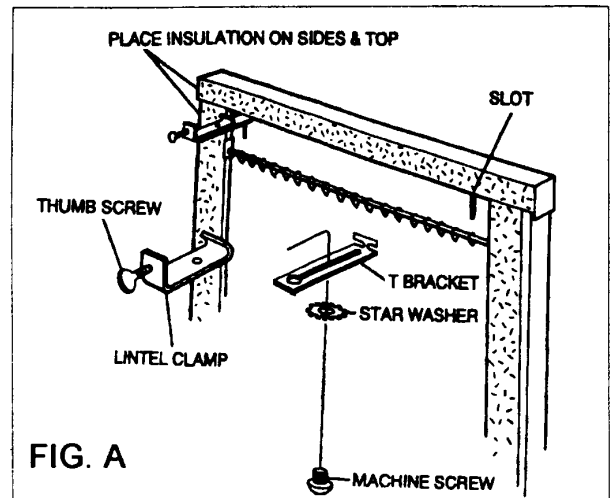
Position T-bracket to lintel bar in position marked and tighten in place with thumbscrews.

FIG.B: Position enclosure on firebox with doors in open position, insert machine screws through T-bracket into lintel bar clamp. Hold enclosure firmly against face of the opening, tighten machine screws firmly. If excessive insulation is visible, loosen enclosure, remove any excess insulation under the upright bar.

If the above step will not work on your opening, refer to Optional Installation on page 5.

3 Adjusting Doors

FIG.C: Slightly loosen screws top & bottom in frame hinge. Adjust door left to right or front to back as required. Tighten screws firmly.



TOOLS REQUIRED

- Phillips Screwdriver
- Flathead Screwdriver
- Pencil

OPTIONAL INSTALLATION INSTRUCTIONS (ULTRAVIEW & BRILLIANCE)

1 FIG D: If lintel clamps do not fit lintel bar, hold enclosure away from fireplace, install as shown in FIG.D.

- Install T-brackets on enclosure.
- Install fiberglass and center enclosure against fireplace.
- Push T-bracket up to lintel bar.
- Mark lintel bar through slot in T-brackets. Remove enclosure.
- While wearing safety glasses, drill into lintel bar.
- Reposition enclosure and align T-brackets with index drilled into lintel bar.
- Insert screws into drilled holes and tighten.

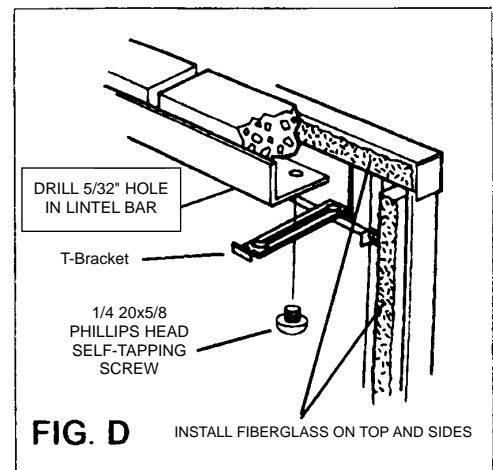


FIG. D INSTALL FIBERGLASS ON TOP AND SIDES

TOOLS REQUIRED

- Phillips Screwdriver
- Electric Drill
- 5/32" & 7/32" high-speed bits
- 1/4" masonry bit
- 5/8" Phillips head self-tapping screws
- 3/8" Nut Driver
- Safety Glasses



2 Door removal: If for some reason doors need to be removed, it is recommended you call your installer. If it is not possible, follow the directions below:

- Open door to full fold position.
- Remove 2 screws in lower hinge. FIG E.
- Remove 2 screws in top hinge. FIG E.
- Lean door forward to remove.
- Repeat for other side.

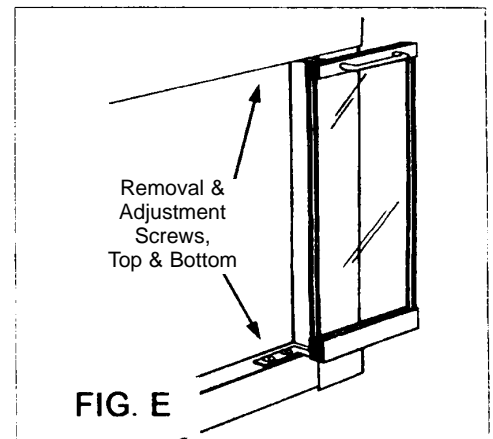
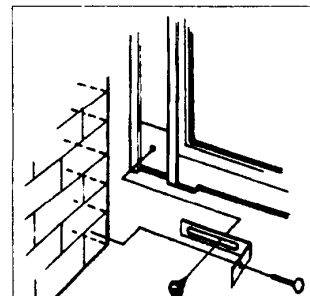
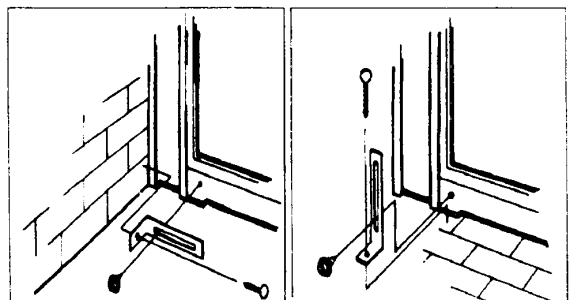


FIG. E

BOTTOM MOUNT INSTRUCTIONS (ALL HEARTH CRAFT GLASS ENCLOSURES)

- Mount unit to opening per instructions found in Owner's Manual.
- Using proper screws for your model, attach short leg of flex bracket to back inside of the frame. Long leg of the flex bracket should lay on the floor of the firebox.
- Mark floor for position of hole required for anchor bolts.
- Remove brackets and drill hole in floor for each bracket. Hole size depends on anchor bolts (not provided).
- Clean debris from holes and insert anchor bolts. DO NOT TIGHTEN.
- Replace flex brackets on back of frame and under the washer on concrete anchor.
- Tighten flex brackets to back of frame. Hold unit firmly against the bottom of the fireplace opening and tighten anchor bolt nuts until unit is secure.



HORIZON & MYSTIQUE

INSTALLATION INSTRUCTIONS

- 1** ALWAYS lift enclosure by sides, NEVER top bar. Remove enclosure from box and lean upright against the wall. Remove and save fiberglass and hardware kit from the box. Remove contents from hardware kit and check against parts list on page 11.

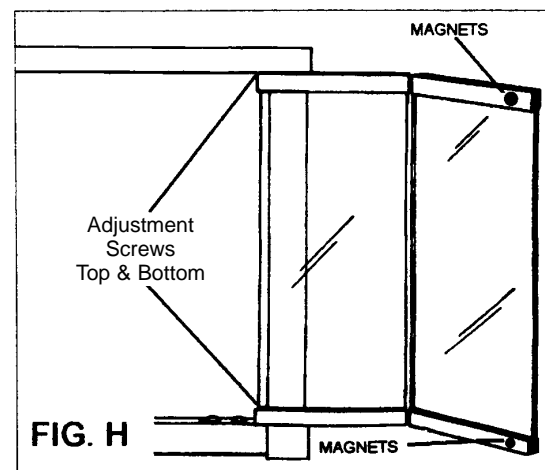
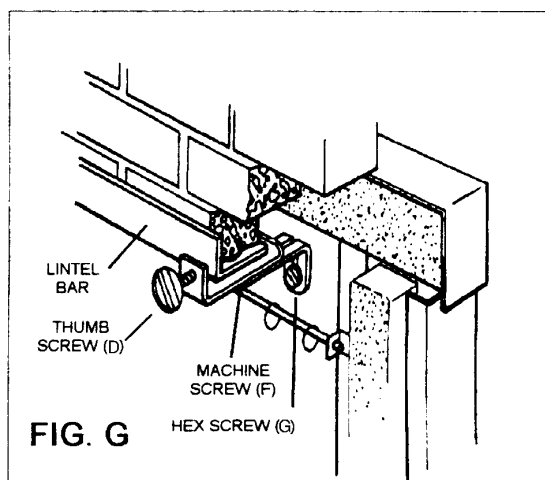
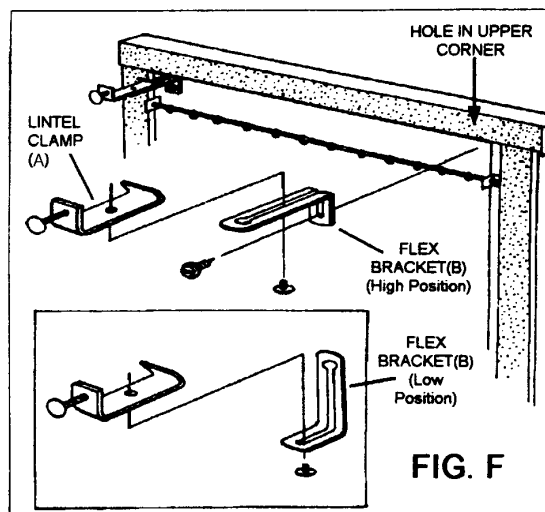
2 FIG. F:

- FIG. F. - Put hex screws (G) through slot in flex bracket (B). Attach flex bracket to back of enclosure, screwing bracket into proper hole. DO NOT TIGHTEN.
- Screw thumbscrews (D) into lintel clamps (A).
- Put machine screws (F) through slot in flex bracket (B) and screw into lintel clamps (A). DO NOT TIGHTEN.
- Place fiberglass in back of top bar and both uprights.
- Push enclosure firmly against fireplace so it overlaps evenly on both sides.
- FIG. G. - Attach lintel clamps (A) to fireplace lintel bar and tighten thumbscrews (D).
- Tighten hex screws (G) and machine screws (F). Be sure enclosure is firmly attached to fireplace and fiberglass is in place.
- If excessive insulation is visible, loosen enclosure, remove any excess insulation under the upright bar.

3 Bottom Mounting (Refer to Page 5)

4 Adjusting Doors

FIG. H: Slightly loosen screws top & bottom in frame hinge. Adjust door left to right or front to back as required. Tighten screws firmly, Frame alignment can be adjusted in corners by accessing screws in each of the corners on the back side of the frame. Loosen screws slightly and adjust frame as required. Retighten screws.



TOOLS REQUIRED

- Phillips Screwdriver
- Flathead Screwdriver

SENTRY, CLASSIC & SLIMLINE INSTALLATION INSTRUCTIONS

- 1** Before installing enclosure, be sure fire is out and fireplace is cool and clean. Read "Ash Disposal" (page 3) ALWAYS lift enclosure by sides, NEVER top bar.
Remove enclosure from box and lean upright against the wall. Remove and save fiberglass and hardware kit from the box. Remove packing material and any shipping support from under doors.
TO OPEN TRACK DOORS ONLY, ALWAYS LIFT UP ON HANDLES

2 REMOVAL OF TRACK DOORS - FIG 1.

- Fully open doors.
- With right hand, depress hinge clip above door to release hinge pin.
- Tilt top of door toward center of enclosure.
- Remove door and place on padded surface to avoid scratches.
- Repeat for left-hand door.

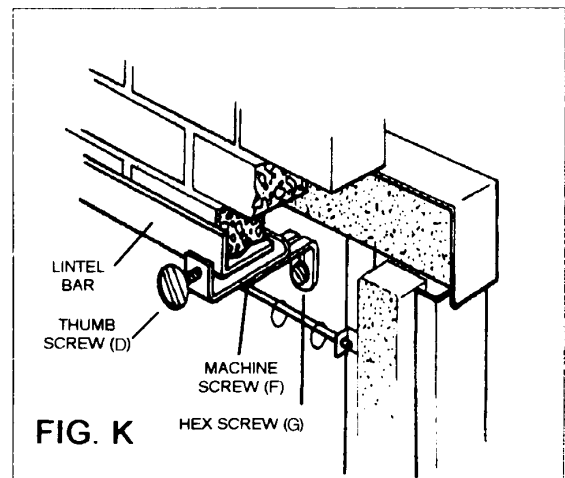
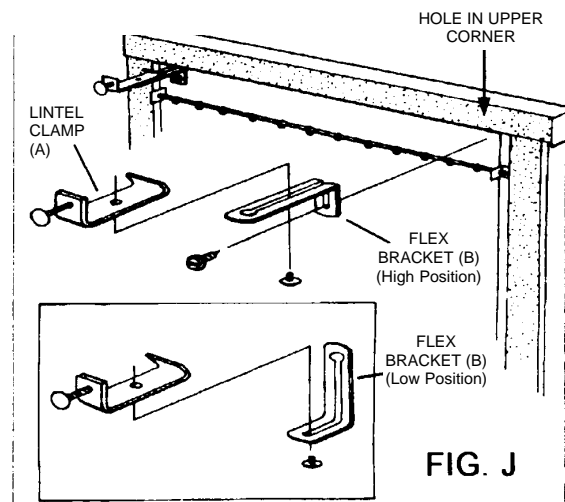
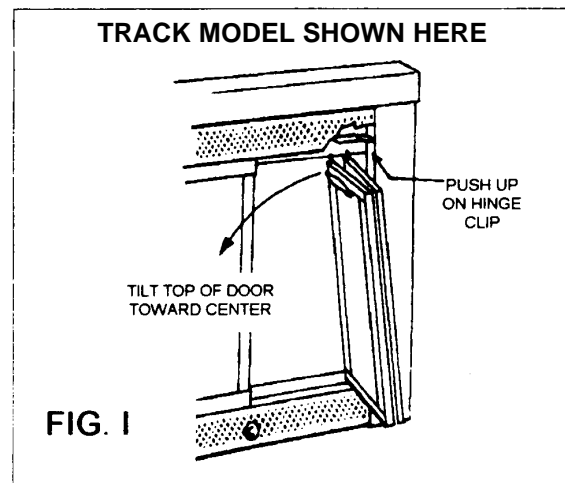
3 INSTALLING ENCLOSURE - FIG J. & FIG K. (SENTRY, HORIZON, CLASSIC & SLIMLINE)

- Remove parts from hardware kit.
- FIG J. - Put hex screws (G) through slot in flex bracket (B). Attach flex bracket to back of enclosure, screwing bracket into proper hole. DO NOT TIGHTEN.
- Screw thumbscrews (D) into lintel clamps (A).
- Put machine screws (F) through slot in flex bracket (B) and screw into lintel clamps (A). DO NOT TIGHTEN.
- Place fiberglass in back of top bar and both uprights.
- Push enclosure firmly against fireplace so it overlaps evenly on both sides.
- FIG K. - Attach lintel clamps (A) to fireplace lintel bar and tighten thumbscrews (D).
- Tighten hex screws (G) and machine screws (F). Be sure enclosure is firmly attached to fireplace and fiberglass is in place.

4 OPTIONAL INSTALLATION INSTRUCTIONS

- FIG N: If lintel clamps do not fit lintel bar, hold enclosure away from fireplace, install as shown in FIG N.
- Install flex brackets on enclosure. DO NOT TIGHTEN.
- Install fiberglass and push enclosure against fireplace.
- Push flex bracket (B) up to lintel bar. Tighten hex screws (G).
- Mark lintel bar through slot in flex brackets. Remove enclosure.
- While wearing safety glasses, drill into lintel bar.
- Reposition enclosure and align flex brackets with holes drilled into lintel bar.
- Insert screws into drilled holes and tighten.
- Some enclosures contain a bottom mount kit. Please refer to instructions on the kit for installation.

5 BOTTOM MOUNTING (Refer to Page 5)



TOOLS REQUIRED

- Flat Head Screwdriver
- Phillips Screwdriver
- Electric Drill
- 5/32" & 7/32" high-speed bits
- Safety Glasses

OPTIONAL INSTALLATION INSTRUCTIONS

1 INSTALLING DOORS (FIG L):

- FIG L Pickup right-side door as shown, handle at top.
- With door folded, put lower door pin into hole in right-side lower door track. Angle top of door forward toward center of enclosure. With both pins in upper door track, push top of door firmly to the right until steel door pins snap into hinge clip hole.
- Repeat for left-side door.

2 ADJUSTING TRACK DOORS (FIG L):

- Doors are factory adjusted for fit and smooth operation. Misalignment can occur during shipment or handling. If this happens to your enclosure, the doors may be readjusted by the following method(s):

(CLASSIC & SENTRY MODELS ONLY)

- Slightly loosen screws in the hinge clips located in the top corners of the door opening.
- Slightly loosen screws in the pivot clips located in the bottom corners of the door opening. **DO NOT REMOVE SCREWS.**
- With the doors closed, center the doors within the opening. Leave approximately 1/8" gap in the center where the doors meet.
- While maintaining the position of the hinge and pivot clip, open the left-hand door halfway and tighten the screws in corner clips and hinge. Repeat this process for the right-hand door.
- Test each door by opening and closing a few times. Readjust as necessary.

3 ADJUSTING FULL-FOLD DOORS (FIG M):

- Slightly loosen screws in top & bottom frame hinge.
- Adjust door left to right or front to back as required.
- Tighten screws firmly

4 DOOR LATCH CLIPS (TRADITIONAL DOORS ONLY):

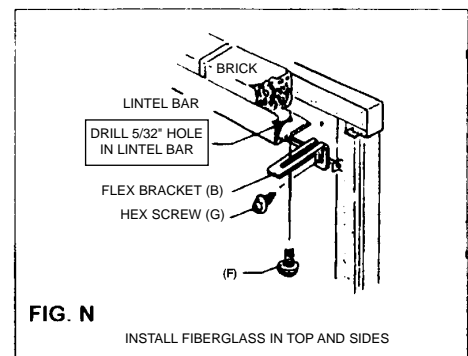
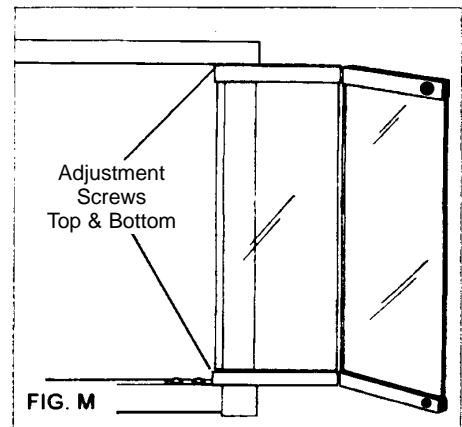
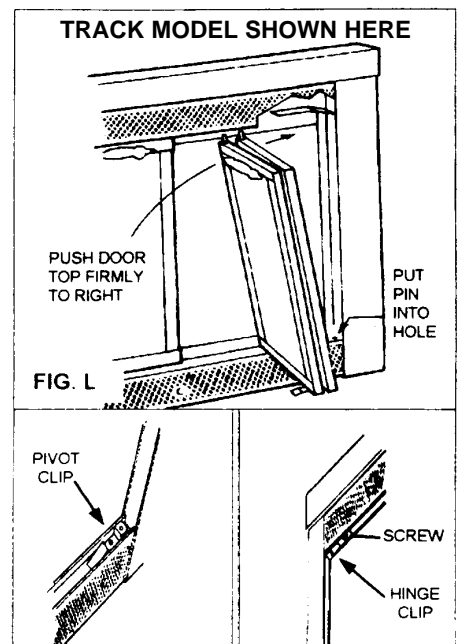
Door latch clips are located at the bottom center of each door. They provide a means of holding the doors in the closed position. This feature is designed to prevent doors from opening if your fireplace experiences a downdraft.

There are two methods for adjusting tension on these clips:

- Loosen the screw and slide the clip down to increase tension. Raising the clip will provide less tension.
- Test the doors by opening and closing a few times.
- Readjust as necessary.

5 FIG N: If lintel clamps do not fit lintel bar, or hold enclosure away from fireplace, install as shown in FIG N.

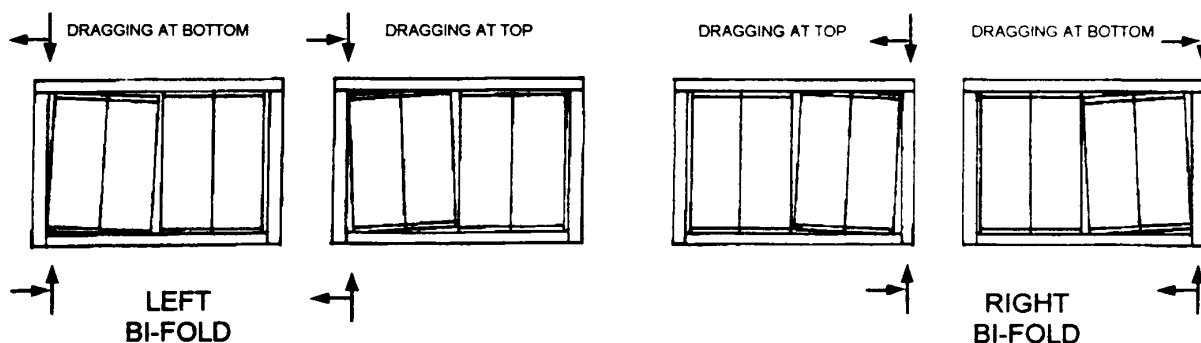
- Install flex brackets on enclosure. **DO NOT TIGHTEN.**
- Install fiberglass and push enclosure against fireplace.
- Push flex bracket up to lintel bar (B). Tighten hex screws (G).
- Mark lintel bar through slot in flex brackets. Remove enclosure.
- While wearing safety glasses, drill into lintel bar.
- Reposition enclosure and align flex brackets with holes drilled into lintel bar.
- Insert screws into drilled holes and tighten.
- Some enclosures contain a bottom mount kit. Please refer to page 5.



TROUBLESHOOTING

ADJUSTING DOORS:

1. Be sure the enclosure is mounted level and plumb. This is done by using a level, placing the level on top bar and each upright bar.
2. Look at the bi-folds to see if all the gaps are equal from right to left and top to bottom. It is critical that the glass panels are parallel.
3. The door end caps that are held by spring clips are usually the culprit in most of the cases. The clips become knocked out of place or loosened. To correct this problem, decide which bi-fold is out of place and remove it from the enclosure. Look at the ends of the glass and see if they meet the metal caps. If they do not, place the bi-fold upright on a hard surface as if the bi-fold were installed in the open position. With the heel of your hand, hit the top cap to tighten both the top and bottom at once. Be sure not to bend the guide pins on the end of each bi-fold.
4. Next, replace the bi-folds in the frame and close. Be sure pins lock in place. After closing, check for center, where the ramp is for the bi-folds, there is some adjustability in each corner. A phillips screw is used for adjustments only if glass is not parallel and/or you have a glide dragging, Adjust bi-folds accordingly for a dragging problem. See illustrations below.
5. Several problems may arise at once, but always check these steps in order, because one can lead to another and fixing one could eliminate the next procedure Sometimes all steps may have to be followed. All steps should not take more than 30 minutes total, with some steps taking no more than five minutes.
6. After all aligning has been finished, adjust the locks on the inside pane of the right & left bi-fold. This is done by loosening the screw and letting the lock drop to whatever height is needed to work properly after the bi-fold is closed. Now the enclosure should work with just two fingers on the bottom inside of each handle. Using a quick, upward and outward motion, the bi-folds should glide open smoothly (and of course, in reverse to close) Lift to latch and lock.
7. If the glass panels require adjustment, please call your Hearth Craft dealer for assistance.



BUILDING A FIRE

WARNING: *NEVER USE GASOLINE, GASOLINE-TYPE LANTERN FUEL, KEROSENE, CHARCOAL LIGHTER FLUID, OR SIMILAR LIQUIDS TO START OR "FRESHEN UP" A FIRE KEEP ALL SUCH LIQUIDS WELL AWAY FROM THE FIREPLACE WHILE IT IS IN USE.*

WARINING: *DO NOT PLACE COMBUSTIBLE MATERIALS CLOSE TO FIREPLACE OPENING.*

A properly built fire will maximize the heat output and enjoyment from your fireplace. For best results, use a sturdy grate placed against the back wall of your fireplace (for good circulation and heat radiation). Always use at least three logs, as they will radiate heat to each other and help keep the fire burning with minimal attention.

Follow these steps for a quick starting and successful fire:

1. Open your damper.
2. Check the draft. If the flow of the chimney is reversed, or stagnant, you may find you have a room full of smoke before the draft begins to move in the right direction. You can check this by striking a match and extinguish it directly in front of the fireplace, watching where the smoke goes. If it flows into the fireplace, you have a draft.
3. Prepare the ashes. You should always have a one or two inch bed of ash under your fire Always be certain however, that there is one to two inches between the ashes and the grate.
4. Prepare some kindling by splitting wood into pieces no larger than about 1 1/4 inch diameter and a few larger pieces (split about 1 to 2 inches in diameter). Also select about three or more pieces of wood about 8 to 10 inches in diameter (normal fire-sized pieces)
5. Place tender into the fireplace under the grate. Roll a newspaper into a cone and place it pointing to the back of the fireplace. You may substitute with cedar twigs, birch bark, dry pine needles or hemlock.
6. Place about one inch of kindling on the bottom of the grate. Place a moderate sized log at the rear, almost, but not quite touching the wall. Arrange a second log at the front of the grate. Fill the space between these two with additional kindling. Finally, place a split log diagonally across the top of the first two logs, forming a 'Z' between the three logs.
7. Close the mesh curtain and keep closed while the fire is burning to prevent any sparks or hot coals from escaping the fireplace.
8. It is recommended !hat you burn with the doors open. Avoid large, hot fires. Excessive temperatures can cause frame discoloration, frame warpage and even glass breakage. Warranties do not cover glass breakage due to excessive heat.

CARE AND CLEANING:

WARNING - DO NOT CLEAN GLASS WHEN HOT OR BREAKAGE MAY OCCUR.

1. The glass in your glass enclosure is safety tempered. It may be broken by contact with burning wood or spilled liquids, by cleaning the glass with a wet cloth or by too large a fire. Broken glass or discolored trim is usually a result of too large a fire or contact with burning wood. Tempered glass, if broken, will crumble into small pieces less than 1/2" square. If glass breaks into larger pieces, it has been detempered by too large a fire. Replace all glass you suspect has been detempered. Replace with tempered glass only.
2. Do not use ammonia-based glass cleaner to clean the glass or the enclosure as these types of cleaners may damage the finish of your enclosure. Minor finish scratches can be removed by applying lemon oil.

FIVE YEAR LIMITED WARRANTY

HEARTH CRAFT GLASS DOOR ENCLOSURES ARE NOT INTENDED FOR USE ON VENT-FREE FIREPLACES.

ALL MASONRY DOORS ARE warranted by the manufacturer to the original retail buyer for five (5) years from date of purchase against defects in materials and workmanship. This includes any implied warranties of merchantability and fitness for a particular purpose, which are also limited in duration to five (5) years from the original purchase of this product.

ALL RAINBOW SERIES AND HORIZON FOR ZC are warranted by the manufacturer to the original buyer for one (1) year.

This warranty covers only parts, and applies only to the products purchased for consumer use. This warranty does not apply to color changes in the finish resulting from contact with flames or burning embers and does not cover damages, which occur in transit or result from alteration, accident, misuse, abuse, acid hearth, or improper installation. The manufacturer shall not be liable for consequential or indirect damages, which are caused by defects in its repair and replacement.

If this product does not conform to this warranty, contact your dealer. Proof of the original purchase will be required.

This warranty gives you specific legal rights and you may have other rights, which vary from state to state.



HEARTH CRAFT

A Division of BottomLine Management, Inc.

1410 Johnson Lane
Clarksville, IN 47129-1402
800-876-7557 • 800-397-0248 (fax)