

INSTALLER: LEAVE THIS MANUAL WITH THE APPLIANCE.
CONSUMER: RETAIN THIS MANUAL FOR FUTURE REFERENCE.
NEVER LEAVE CHILDREN OR OTHER AT RISK INDIVIDUALS ALONE WITH THE APPLIANCE



INSTALLATION AND OPERATING INSTRUCTIONS

CERTIFIED UNDER CANADIAN AND AMERICAN NATIONAL STANDARDS: ANSI Z21.88 • CSA 2.33 FOR VENTED GAS FIREPLACE HEATERS.

CERTIFIED FOR CANADA AND UNITED STATES USING ANSI/CSA METHODS.

SAFETY INFORMATION

! WARNING

If the information in these instructions are not followed exactly, a fire or explosion may result causing property damage, personal injury or loss of life.

- Do not store or use gasoline or other flammable vapors and liquids in the vicinity of this or any other appliance.
- **WHAT TO DO IF YOU SMELL GAS:**
 - Do not try to light any appliance.
 - Do not touch any electrical switch; do not use any phone in your building.
 - Immediately call your gas supplier from a neighbour's phone. Follow the gas supplier's instructions.
 - If you cannot reach your gas supplier, call the fire department.
- Installation and service must be performed by a qualified installer, service agency or the supplier.

This appliance may be installed in an aftermarket, permanently located, manufactured home (USA only) or mobile home, where not prohibited by local codes.

This appliance is only for use with the type of gas indicated on the rating plate. This appliance is not convertible for use with other gases, unless a certified kit is used.

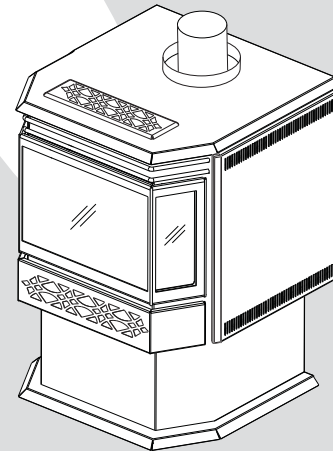
APPLY SERIAL NUMBER LABEL FROM CARTON



GDS28N & GS28N NATURAL GAS

GDS28P & GS28P PROPANE

Model GS28 is made up of Model GDS28 and Natural Vent Adapter Kit GS-150KT



! WARNING

HOT GLASS WILL CAUSE BURNS.

DO NOT TOUCH GLASS UNTIL COOLED.

NEVER ALLOW CHILDREN TO TOUCH GLASS.



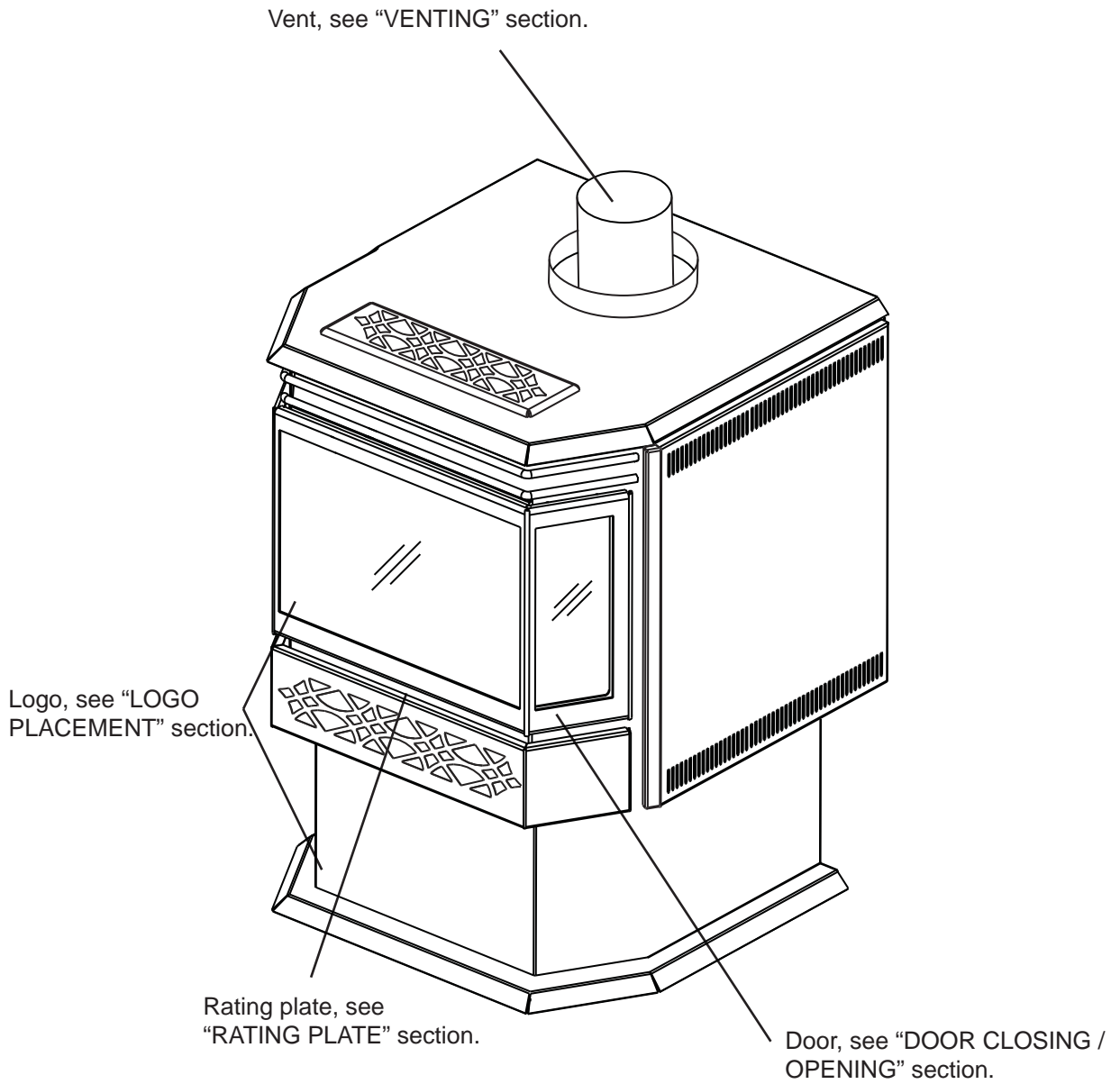
Wolf Steel Ltd., 24 Napoleon Rd., Barrie, ON, L4M 0G8 Canada /
103 Miller Drive, Crittenden, Kentucky, USA, 41030
Phone (705)721-1212 • Fax (705)722-6031 • www.napoleonfireplaces.com • ask@napoleonproducts.com

TABLE OF CONTENTS

| | | |
|-------|--|----|
| 1.0 | INSTALLATION OVERVIEW | 3 |
| 2.0 | INTRODUCTION | 4 |
| 2.1 | DIMENSIONS | 5 |
| 2.2 | GENERAL INSTRUCTIONS | 5 |
| 2.3 | GENERAL INFORMATION | 7 |
| 2.4 | RATING PLATE INFORMATION | 8 |
| 3.0 | VENTING | 9 |
| 3.1 | VENTING LENGTHS AND COMPONENTS | 10 |
| 3.2 | TYPICAL VENT INSTALLATION | 11 |
| 3.3 | SPECIAL VENT INSTALLATIONS | 12 |
| 3.3.1 | PERISCOPE TERMINATION | 12 |
| 3.4 | VENT TERMINAL CLEARANCES | 13 |
| 3.6 | VENTING APPLICATION FLOW CHART | 14 |
| 3.5 | DEFINITIONS | 14 |
| 3.7 | ELBOW VENT LENGTH VALUES | 14 |
| 3.8 | TOP EXIT HORIZONTAL TERMINATION | 15 |
| 3.9 | TOP EXIT VERTICAL TERMINATION | 17 |
| 3.10 | VERTICAL THROUGH EXISTING CHIMNEY | 19 |
| 4.0 | INSTALLATION | 20 |
| 4.1 | MINIMUM CLEARANCES TO COMBUSTIBLES | 20 |
| 4.2 | WALL AND CEILING PROTECTION | 21 |
| 4.2.1 | HORIZONTAL INSTALLATION | 21 |
| 4.2.2 | VERTICAL INSTALLATION | 22 |
| 4.2.3 | HORIZONTAL AIR TERMINAL INSTALLATION - MODEL GDS28 | 22 |
| 4.2.4 | VERTICAL AIR TERMINAL INSTALLATION | 23 |
| 4.3 | APPLIANCE VENT CONNECTION | 24 |
| 4.4 | MOBILE HOME INSTALLATION - MODEL GDS28 | 24 |
| 4.5 | GAS INSTALLATION | 25 |
| 4.6 | OPTIONAL WALL SWITCH / THERMOSTAT / REMOTE | 25 |
| 4.7 | NATURAL VENT SPECIFICS | 26 |
| 4.7.1 | CHIMNEY INSTALLATION | 26 |
| 4.7.2 | INSTALLING NATURAL VENT | 27 |
| 4.7.3 | NATURAL VENT | 27 |
| 4.7.4 | COMBUSTION AIR | 28 |
| 4.7.5 | ADDING VENT SECTIONS | 28 |
| 5.0 | FINISHING | 29 |
| 5.1 | DOOR CLOSING AND OPENING | 29 |
| 5.2 | LOG PLACEMENT | 30 |
| 5.3 | GLOWING EMBERS | 31 |
| 5.4 | CHARCOAL EMBERS | 31 |
| 5.5 | LOGO PLACEMENT | 31 |
| 6.0 | OPERATION | 32 |
| 6.1 | OPERATING/LIGHTING INSTRUCTIONS | 33 |
| 7.0 | ADJUSTMENT | 34 |
| 7.1 | PILOT BURNER ADJUSTMENT | 34 |
| 7.2 | VENTURI ADJUSTMENT | 34 |
| 7.3 | FLAME CHARACTERISTICS | 35 |
| 8.0 | MAINTENANCE | 36 |
| 8.1 | CARE OF GLASS | 36 |
| 8.2 | BLOWER REPLACEMENT | 37 |
| 9.0 | REPLACEMENTS | 38 |
| 10.0 | TROUBLE SHOOTING | 42 |
| 11.0 | WARRANTY | 45 |
| 12.0 | SERVICE HISTORY | 46 |

NOTE: Changes, other than editorial, are denoted by a vertical line in the margin.

1.0 INSTALLATION OVERVIEW



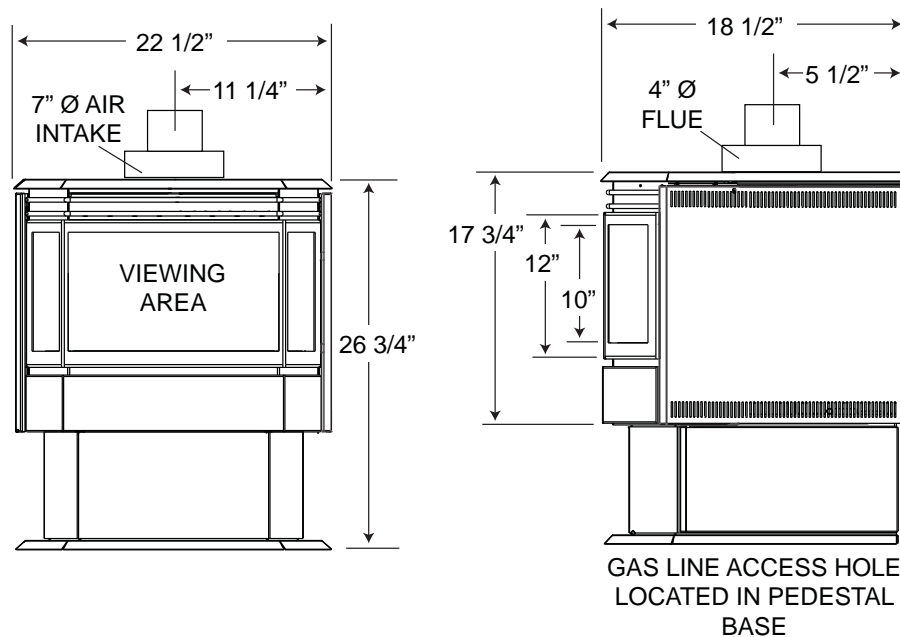
2.0 INTRODUCTION

WARNING

- **THIS APPLIANCE IS HOT WHEN OPERATED AND CAN CAUSE SEVERE BURNS IF CONTACTED.**
- **ANY CHANGES TO THIS APPLIANCE OR IT'S CONTROLS CAN BE DANGEROUS AND IS PROHIBITED.**
- Do not operate appliance before reading and understanding operating instructions. Failure to operate appliance according to operating instructions could cause fire or injury.
- Risk of fire or asphyxiation do not operate appliance with fixed glass removed.
- Do not connect 110 volts to the control valve.
- Risk of burns. The appliance should be turned off and cooled before servicing.
- Do not install damaged, incomplete or substitute components.
- Risk of cuts and abrasions. Wear protective gloves and safety glasses during installation. Sheet metal edges may be sharp.
- Do not burn wood or other materials in this appliance.
- Children and adults should be alerted to the hazards of high surface temperature and should stay away to avoid burns or clothing ignition.
- Young children should be carefully supervised when they are in the same room as the appliance. Toddlers, young children and others may be susceptible to accidental contact burns. A physical barrier is recommended if there are at risk individuals in the house. To restrict access to an appliance or stove, install an adjustable safety gate to keep toddlers, young children and other at risk individuals out of the room and away from hot surfaces.
- Clothing or other flammable material should not be placed on or near the appliance.
- Due to high temperatures, the appliance should be located out of traffic and away from furniture and draperies.
- Ensure you have incorporated adequate safety measure to protect infants/toddlers from touching hot surfaces.
- Even after the appliance is out, the glass and/or screen will remain hot for an extended period of time.
- Check with your local hearth specialty dealer for safety screens and hearth guards to protect children from hot surfaces. These screens and guards must be fastened to the floor.
- Any safety screen or guard removed for servicing must be replaced prior to operating the appliance.
- The appliance is a vented gas-fired appliance. Do not burn wood or other materials in the appliance.
- It is imperative that the control compartments, burners and circulating blower and its passageway in the appliance and venting system are kept clean. The appliance and its venting system should be inspected before use and at least annually by a qualified service person. More frequent cleaning may be required due to excessive lint from carpeting, bedding material, etc. The appliance area must be kept clear and free from combustible materials, gasoline and other flammable vapors and liquids.
- Under no circumstances should this appliance be modified.
- This appliance must not be connected to a chimney flue pipe serving a separate solid fuel burning appliance.
- Do not use this appliance if any part has been under water. Immediately call a qualified service technician to inspect the appliance and to replace any part of the control system and any gas control which has been under water.
- Do not operate the appliance with the glass door removed, cracked or broken. Replacement of the glass should be done by a licensed or qualified service person.
- Do not strike or slam shut the appliance glass door.
- When equipped with pressure relief doors, they must be kept closed while the appliance is operating to prevent exhaust fumes containing carbon monoxide, from entering into the home. Temperatures of the exhaust escaping through these openings can also cause the surrounding combustible materials to overheat and catch fire. Only doors / optional fronts certified with the unit are to be installed on the appliance.
- Only doors / optional fronts certified with the unit are to be installed on the appliance.
- Keep the packaging material out of reach of children and dispose of the material in a safe manner. As with all plastic bags, these are not toys and should be kept away from children and infants.
- As with any combustion appliance, we recommend having your appliance regularly inspected and serviced as well as having a Carbon Monoxide Detector installed in the same area to defend you and your family against Carbon Monoxide.
- Ensure clearances to combustibles are maintained when building a mantel or shelves above the appliance. Elevated temperatures on the wall or in the air above the appliance can cause melting, discolouration or damage to decorations, a T.V. or other electronic components.
- This appliance uses and requires a fast acting thermocouple. Replace only with a fast acting thermocouple supplied by Wolf Steel Ltd.

3.1C

2.1 DIMENSIONS



2.2 GENERAL INSTRUCTIONS

| ! WARNING |
|---|
| ALWAYS LIGHT THE PILOT WHETHER FOR THE FIRST TIME OR IF THE GAS SUPPLY HAS RUN OUT, WITH THE GLASS DOOR OPENED OR REMOVED. |
| PROVIDE ADEQUATE CLEARANCE FOR SERVICING AND OPERATING THE APPLIANCE. |
| PROVIDE ADEQUATE VENTILATION. |
| NEVER OBSTRUCT THE FRONT OPENING OF THE APPLIANCE. |
| OBJECTS PLACED IN FRONT OF THE APPLIANCE MUST BE KEPT A MINIMUM OF 48" FROM THE FRONT FACE OF THE APPLIANCE. |
| SURFACES AROUND AND ESPECIALLY ABOVE THE APPLIANCE CAN BECOME HOT. AVOID CONTACT WHEN THE APPLIANCE IS OPERATING. |
| FIRE RISK. EXPLOSION HAZARD. |
| HIGH PRESSURE WILL DAMAGE VALVE. DISCONNECT GAS SUPPLY PIPING BEFORE PRESSURE TESTING GAS LINE AT TEST PRESSURES ABOVE 1/2 PSIG. CLOSE THE MANUAL SHUT-OFF VALVE BEFORE PRESSURE TESTING GAS LINE AT TEST PRESSURES EQUAL TO OR LESS THAN 1/2 PSIG. |
| USE ONLY WOLF STEEL APPROVED OPTIONAL ACCESSORIES AND REPLACEMENT PARTS WITH THIS APPLIANCE. USING NON-LISTED ACCESSORIES (BLOWERS, DOORS, LOUVRES, TRIMS, GAS COMPONENTS, VENTING COMPONENTS, ETC.) COULD RESULT IN A SAFETY HAZARD AND WILL VOID THE WARRANTY AND CERTIFICATION. |

THIS GAS APPLIANCE SHOULD BE INSTALLED AND SERVICED BY A QUALIFIED INSTALLER to conform with local codes. Installation practices vary from region to region and it is important to know the specifics that apply to your area, for example in Massachusetts State:

- This product must be installed by a licensed plumber or gas fitter when installed within the commonwealth of Massachusetts.
- The appliance damper must be removed or welded in the open position prior to installation of a appliance insert or gas log.
- The appliance off valve must be a "T" handle gas cock.
- The flexible connector must not be longer than 36 inches.
- A Carbon Monoxide detector is required in all rooms containing gas fired appliances.
- The appliance is not approved for installation in a bedroom or bathroom unless the unit is a direct vent sealed combustion product.

The installation must conform with local codes or, in absence of local codes, the National Gas and Propane Installation Code CSA B149.1 in Canada, or the National Fuel Gas Code, ANSI Z223.1 / NFPA 54 in the United States. Suitable for mobile home installation if installed in accordance with the current standard CAN/CSA Z240MH Series, for gas equipped mobile homes, in Canada or ANSI Z223.1 and NFPA 54 in the United States.

As long as the required clearance to combustibles is maintained, the most desirable and beneficial location for an appliance is in the center of a building, thereby allowing the most efficient use of the heat created. The location of windows, doors and the traffic flow in the room where the appliance is to be located should be considered. If possible, you should choose a location where the vent will pass through the house without cutting a floor or roof joist.

If the appliance is installed directly on carpeting, vinyl tile or other combustible material other than wood flooring, the appliance shall be installed on a metal or wood panel extending the full width and depth.

Some appliances have optional fans or blowers. If an optional fan or blower is installed, the junction box must be electrically connected and grounded in accordance with local codes, use the current CSA C22.1 Canadian Electrical Code in Canada or the ANSI/NFPA 70 National Electrical code in the United States.

**NATIONAL
FIREPLACE
INSTITUTE**



CERTIFIED

www.nficerified.org

We suggest that our gas hearth products be installed and serviced by professionals who are certified in the U.S. by the National Fireplace Institute® (NFI) as NFI Gas Specialists

4.1A

2.3 GENERAL INFORMATION

FOR YOUR SATISFACTION, THIS APPLIANCE HAS BEEN TEST-FIRED TO ASSURE ITS OPERATION AND QUALITY!

| | GDS28 | | GS28 | |
|---|-------------------|------------------|-------------------|------------------|
| | NG | LP | NG | LP |
| Altitude (FT) | 0-4,500 | 0-4500 | 0-4500 | 0-4500 |
| Max. Input (BTU/HR) | 30,000 | 26,000 | 30,000 | 26,000 |
| Max. Output (BTU/HR) | 25,500 | 22,360 | 24,600 | 21,600 |
| Max. Steady State Efficiency (w/the fan on) | 85% | 86% | 82% | 83% |
| Max. A.F.U.E. | 76% | 77% | | |
| Min. Inlet Gas Supply Pressure | 4.5" Water Column | 11" Water Column | 4.5" Water Column | 11" Water Column |
| Max. Inlet Gas Supply Pressure | 7" Water Column | 13" Water Column | 7" Water Column | 13" Water Column |
| Manifold Pressure (Under Flow Conditions) | 3.5" Water Column | 10" Water Column | 3.5" Water Column | 10" Water Column |

When the appliance is installed at elevations above 4,500 ft, and in the absence of specific recommendations from the local authority having jurisdiction, the certified high altitude input rating shall be reduced at the rate of 4% for each additional 1,000 ft.

Change in flame appearance from "HI" to "LO" is more evident in natural gas than in propane.

Expansion / contraction noises during heating up and cooling down cycles are normal and to be expected.

This appliance may be installed in an aftermarket permanently located, manufactured mobile home, where not prohibited by local codes.

This appliance is only for use with the type of gas indicated on the rating plate. This appliance is not convertible for use with other gases, unless a certified kit is used.

This appliance is approved for bedroom and bed-sitting room installations.

2.4 RATING PLATE INFORMATION

INSTALLER: It is your responsibility to check off the appropriate box on the rating plate according to the model, venting and gas type of the appliance.

For rating plate location, see "INSTALLATION OVERVIEW" section.

This illustration is for reference only. Refer to the rating plate on the appliance for accurate information.



Intertek

CERTIFIED UNDER: CSA 2.33-2009, ANSIZ21.88-2009 VENTED GAS FIREPLACE HEATERS. / HOMOLOGUE SELON LES NORMES: CSA 2.33-2009, ANSI Z21.88-2009 FOYER DE CHAUFFAGE AU GAZ AVEC EVACUATION.

GDS28-N

CDVS280-N

9700539 (WSL)

4001658 (NAC)

4001657 (NGZ)

4001659 (WUSA)

0-4500FT(0-1370m)

30,000 BTU/h

18,000 BTU/h

22,500 BTU/h

24,000 BTU/h

ALTIITUDE / ELEVATION

INPUT / ALIMENTATION

REDUCED INPUT / ALIMENTATION REDUITE

OUTPUT(MODEL CDVS280/GDS28) RENDEMENT

OUTPUT(MODEL CS280/GS28) RENDEMENT

GDS28-P

CDVS280-P

GS28-N

CS280-N

'B' VENT MODEL

GS28-P

CS280-P

0-4500FT (0-1370m)

26,000 BTU/h

15,000 BTU/h

19,500 BTU/h

20,800 BTU/h

MANIFOLD PRESSURE: 3.5" W.C. (NG) / 10" W.C. (LP)

PRESSION AU COLLECTEUR: 3.5" D'UNE COLONNE D'EAU (GN)

10" D'UNE COLONNE D'EAU (PG)

MIN SUPPLY PRESSURE: 4.5" W.C. (NG) / 11" W.C. (LP)

PRESSION D'ALIMENTATION MIN: 4.5" D'UNE COLONNE D'EAU (GN)

11" D'UNE COLONNE D'EAU (PG)

MAX. SUPPLY PRESSURE: 7" W.C. (NG) / 13" W.C. (LP)

PRESSION D'ALIMENTATION MAX: 7" D'UNE COLONNE D'EAU (GN)

13" D'UNE COLONNE D'EAU (PG)

FOR USE WITH GLASS DOORS CERTIFIED WITH THIS UNIT ONLY.

UTILISER AVEC LES PORTES VITREES HOMOLOGUEES SEULEMENT AVEC CETTE UNITE.

WARNING: DO NOT ADD ANY MATERIAL TO THE APPLIANCE, WHICH WILL COME IN CONTACT WITH THE FLAMES, OTHER THAN THAT SUPPLIED BY THE MANUFACTURER WITH THE APPLIANCE.

AVERTISSEMENT: N'AJOUTEZ PAS A CET APPAREIL AUCUN MATERIAU DEVANT ENTRER EN CONTACT AVEC LES FLAMMES AUTRE QUE CELUI QUI EST FOURNI AVEC CET APPAREIL PAR LE FABRICANT.

MINIMUM CLEARANCE TO COMBUSTIBLE MATERIAL / DEGAGEMENTS MINIMAUX DES MATERIAUX COMBUSTIBLES:

| | | | |
|---|----|---|---------|
| A | 7" | D | 17 1/2" |
| B | 2" | E | 6 1/4" |
| C | 1" | F | 9 1/4" |

20" TO CEILING FROM STOVE TOP

20" ENTRE LE DESSUS DU FOYER ET LE PLAFOND

ELECTRICAL RATING / CLASS.: 115V 1.5AMP 60HZ

MODEL CS280/GS28 APPROVED FOR BEDROOM & BEDSITTING ROOM INSTALLATION. HOMOLOGUE POUR INSTALLATION DANS UNE CHAMBRE A COUCHER, & UN STUDIO.

STEADY STATE EFFICIENCY (NG): 80% FAN OFF / 82% FAN ON

STEADY STATE EFFICIENCY (LP): 80% FAN OFF / 83% FAN ON

EFFICACITE CONSTANTE (GN): 80% VENT. ARRETE

82% VENT. FONCTIONNE

EFFICACITE CONSTANTE (GP): 80% VENTILATEUR ARRETE

83% VENTILATEUR FONCTIONNE

STEADY STATE EFFICIENCY APPLIES TO CANADA ONLY / L'EFFICACITE CONSTANTE S'APPLIQUENT SEULEMENT AU CANADA.

AFUE (NG/LP) (GN/GP): 66% / 68%

THIS APPLIANCE MUST BE INSTALLED USING AN ADAPTER KIT GS-150KT. CET APPAREIL DOIT ETRE INSTALLE EN UTILISANT UN ENSEMBLE ADAPTEUR GS-150KT.

CDVS280/GDS28 APPROVED FOR BEDROOM, BATHROOM & BEDSITTING ROOM INSTALLATION. SUITABLE FOR MOBILE HOME INSTALLATION IF INSTALLED IN ACCORDANCE WITH THE CURRENT STANDARD CAN/CSA Z240MH SERIES GAS EQUIPPED MOBILE HOMES, IN CANADA OR IN THE UNITED STATES THE MANUFACTURED HOME CONSTRUCTION AND SAFETY STANDARD, TITLE 24 CFR, PART 3280. WHEN THIS US STANDARD IS NOT APPLICABLE USE THE STANDARD FOR FIRE SAFETY CRITERIA FOR MANUFACTURED HOME INSTALLATIONS, SITES AND COMMUNITIES, ANSI / NFPA 501A. HOMOLOGUE POUR INSTALLATION DANS UNE CHAMBRE A COUCHER, UNE SALLE DE BAIN ET UN STUDIO. APPROPRIE POUR INSTALLATION DANS UNE MAISON MOBILE SI SON INSTALLATION CONFORME AUX EXIGENCES DE LA NORME CAN/CSA Z240MH SERIE DE MAISONS MOBILES EQUIPEES AU GAZ, EN VIGUEUR AU CANADA OU AUX ETATS-UNIS DE LA NORME DE SECURITE ET DE CONSTRUCTION DE MAISONS MANUFACTUREES, TITRE 24 CFR, SECTION 3280. DANS LE CAS OU CETTE NORME D'ETATS-UNIS NE PEUT ETRE APPLIQUEE, SE REFERER A LA NORME RELATIVE AU CRITERE DE MESURES DE SECURITE CONTRE L'INCENDIE POUR LES INSTALLATIONS DANS LES MAISONS MANUFACTURES, LES SITES ET LES COMMUNAUTES, ANSINFPAA 501A.

STEADY STATE EFFICIENCY (NG): 75% FAN OFF / 78% FAN ON

STEADY STATE EFFICIENCY (LP): 75% FAN OFF / 79% FAN ON

EFFICACITE CONSTANTE (GN): 75% VENT. ARRETE

78% VENT. FONCTIONNE

EFFICACITE CONSTANTE (GP): 75% VENTILATEUR ARRETE

79% VENTILATEUR FONCTIONNE

STEADY STATE EFFICIENCY APPLIES TO CANADA ONLY / L'EFFICACITE CONSTANTE S'APPLIQUENT SEULEMENT AU CANADA.

AFUE (NG/LP) (GN/GP): 64% / 65%

MINIMUM AND MAXIMUM HORIZONTAL VENT LENGTHS ARE 25 INCHES AND 20 FEET RESPECTIVELY. LES LONGUEURS HORIZONTALES MINIMALE ET MAXIMALE SONT 25 POUCHES ET 20 PIEDS RESPECTIVEMENT.

THE APPLIANCE MUST BE VENTED USING THE APPROPRIATE NAPOLEON VENT KITS. SEE OWNERS INSTALLATION MANUAL FOR VENTING SPECIFICS. PROPER REINSTALLATION AND RESEALING IS NECESSARY AFTER SERVICING THE VENT-AIR INTAKE SYSTEM. L'APPAREIL DOIT EVACUER SES GAZ EN UTILISANT L'ENSEMBLE D'EVACUATION PROPRE A NAPOLEON. REFERER AU MANUEL D'INSTALLATION DE PROPRIETAIRE POUR L'EVACUATION PRECISE. IL EST IMPORTANT DE BIEN REINSTALLER ET RESCELLER L'EVENT APRES AVOIR ASSURE LE MAINTIEN DU SYSTEME DE PRISE D'AIR.

NOT FOR USE WITH SOLID FUEL

UN COMBUSTIBLE SOLIDE NE DOIT PAS ETRE UTILISE AVEC CET APPAREIL

WOLF STEEL LTD.

24 NAPOLEON ROAD, BARRIE, ON, L4M 0G8 CANADA

SERIAL NUMBER

NO. DE SERIE GDS28

W385-0165 / F

W415-0153 / E / 05.28.12

3.0 VENTING

WARNING

RISK OF FIRE, MAINTAIN SPECIFIED AIR SPACE CLEARANCES TO VENT PIPE AND APPLIANCE.

IF VENTING IS INCLUDED WITH SPACERS THE VENT SYSTEM MUST BE SUPPORTED EVERY 3 FEET FOR BOTH VERTICAL AND HORIZONTAL RUNS. USE SUPPORTS OR EQUIVALENT NON-COMBUSTIBLE STRAPPING TO MAINTAIN THE REQUIRED CLEARANCE FROM COMBUSTIBLES. USE WOLF STEEL LTD. SUPPORT RING ASSEMBLY W010-0370 OR EQUIVALENT NON-COMBUSTIBLE STRAPPING TO MAINTAIN THE MINIMUM CLEARANCE TO COMBUSTIBLES FOR BOTH VERTICAL AND HORIZONTAL RUNS. SPACERS ARE ATTACHED TO THE INNER PIPE AT PREDETERMINED INTERVALS TO MAINTAIN AN EVEN AIR GAP TO THE OUTER PIPE. THIS GAP IS REQUIRED FOR SAFE OPERATION. A SPACER IS REQUIRED AT THE START, MIDDLE AND END OF EACH ELBOW TO ENSURE THIS GAP IS MAINTAINED. THESE SPACERS MUST NOT BE REMOVED.

**THIS APPLIANCE USES A 4" EXHAUST / 7" AIR INTAKE VENT PIPE SYSTEM.
Refer to the section applicable to your installation.**

For safe and proper operation of the appliance follow the venting instruction exactly. Deviation from the minimum vertical vent length can create difficulty in burner start-up and/or carboning. Under extreme vent configurations, allow several minutes (5-15) for the flame to stabilize after ignition. Provide a means for visually checking the vent connection to the appliance after the appliance is installed. Use a firestop, vent pipe shield or attic insulation shield when penetrating interior walls, floor or ceiling.

NOTE: If for any reason the vent air intake system is disassembled; reinstall per the instructions provided for the initial installation.

7.1A

A terminal shall not terminate directly above a sidewalk or paved driveway which is located between two single family dwellings and serves both dwellings. Local codes or regulations may require different clearances.

Do not allow the inside liner to bunch up on horizontal or vertical runs and elbows. Keep it pulled tight. A 1-1/4" air gap all around between the inner liner and outer appliance pipe is required for safe operation. Use a firestop when penetrating interior walls, floor or ceiling.

3.1 VENTING LENGTHS AND COMPONENTS

Use only Wolf Steel, Simpson Dura-Vent, Selkirk Direct Temp, American Metal Amerivent or Metal-Fab venting components. Minimum and maximum vent lengths, for both horizontal and vertical installations, and air terminal locations for either system are set out in this manual and must be adhered to. For Simpson Dura-Vent, Selkirk Direct Temp, American Metal Amerivent and Metal-Fab follow the installation procedure provided with the venting components.

A starter adaptor must be used with the following vent systems and may be purchased from the corresponding supplier:

| PART | 4"/7" | SUPPLIER | WEBSITE |
|-------------|---------|----------------|-------------------------------|
| Duravent | GDS924N | Wolf Steel | www.duravent.com |
| Amerivent | 4DSC-N2 | American Metal | www.americanmetalproducts.com |
| Direct Temp | 4DT-AAN | Selkirk | www.selkirkcorp.com |
| SuperSeal | 4DNA | Metal-Fab | www.mtlfab.com |

*** For Simpson Dura-Vent, Selkirk Direct Temp, American Metal Amerivent and Metal-Fab follow the installation procedure found on the website for your venting supplier.**

For vent systems that provide seals on the inner exhaust flue, only the outer air intake joints must be sealed using a red high temperature silicone (RTV). This same sealant may be used on both the inner exhaust and outer intake vent pipe joints of all other approved vent systems except for the exhaust vent pipe connection to the appliance flue collar which must be sealed using the black high temperature sealant Mill Pac.

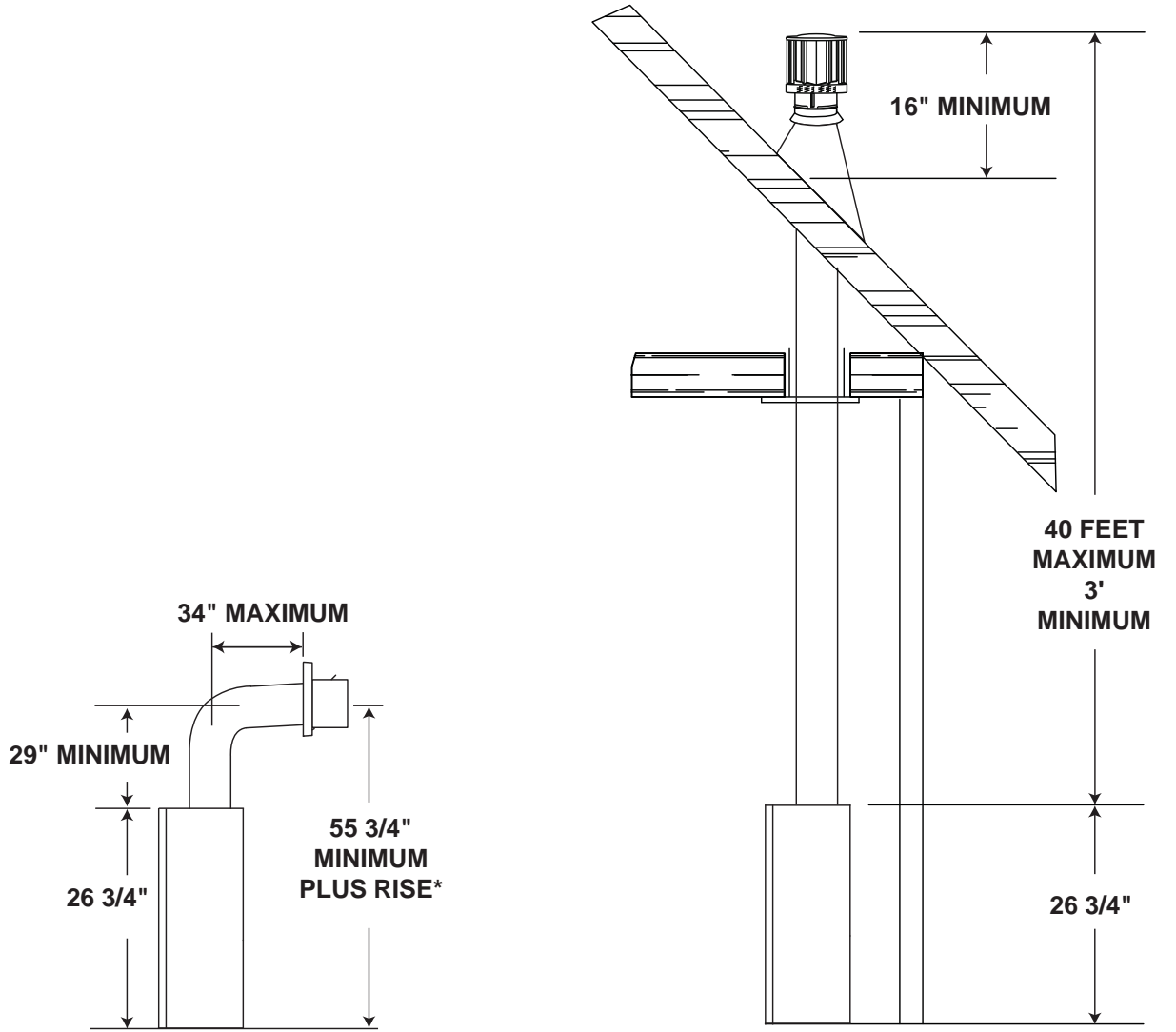
When using Wolf Steel venting components, use only approved Wolf Steel termination kits: wall terminal kit **GD175** (7/12' of venting included), or 1/12 to 7/12 pitch roof terminal kit **GD110**, 8/12 to 12/12 roof terminal kit **GD111**, flat roof terminal kit **GD112** or periscope kit **GD180** (for wall penetration below grade) in conjunction with the appropriate venting components.

For optimum flame appearance and appliance operation, keep the vent length and number of elbows to a minimum. It is recommended that all horizontal runs have a minimum 1/4" rise per foot. The air terminal must remain unobstructed at all times. Examine the air terminal at least once a year to verify that it is unobstructed and undamaged. Rigid and flexible venting systems must not be combined. Different venting manufacturers components must not be combined.

These vent kits allow for either horizontal or vertical venting of the appliance. The maximum allowable horizontal run is 20 feet. The maximum allowable vertical vent length is 40 feet. The maximum number of vent connections is two horizontally or three vertically (excluding the appliance and the air terminal connections) when using flexible venting.

Deviation from the minimum vertical vent length can create difficulty in burner start-up and/or carboning. Use an adjustable pipe as the final length of rigid piping to the stove for ease of installation.

3.2 TYPICAL VENT INSTALLATION



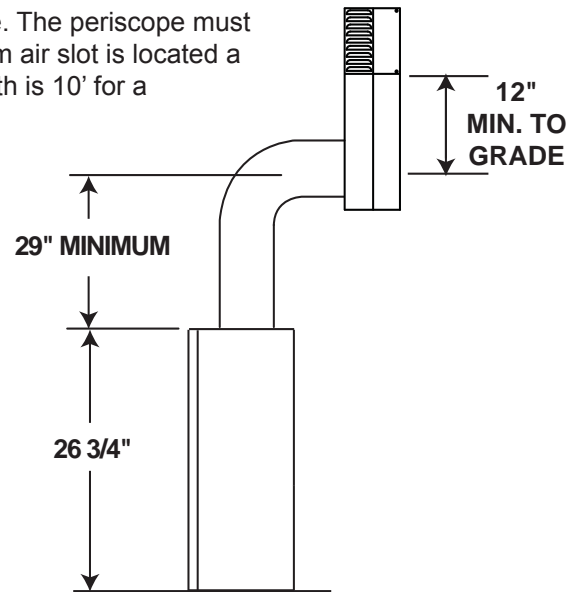
* See "VENTING" section.

12

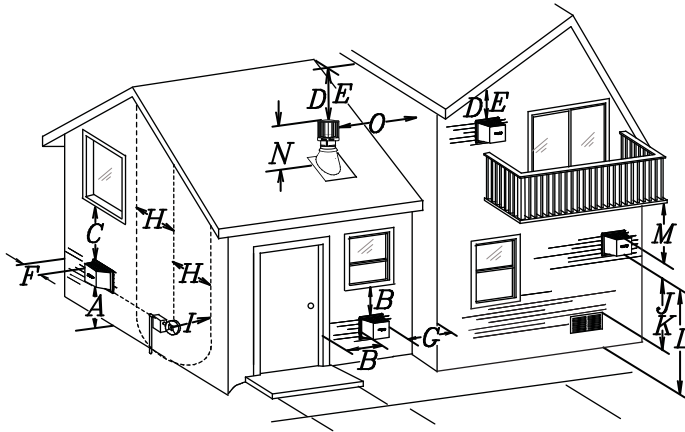
3.3 SPECIAL VENT INSTALLATIONS

3.3.1 PERISCOPE TERMINATION

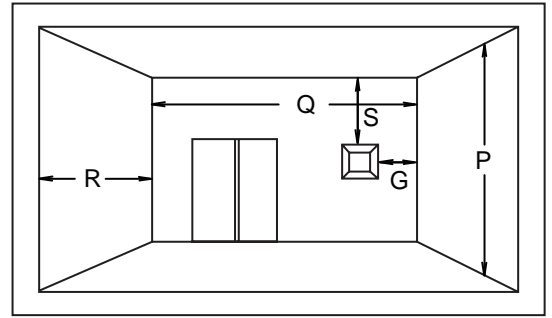
Use the periscope kit to locate the air termination above grade. The periscope must be installed so that when final grading is completed, the bottom air slot is located a minimum 12" above grade. The maximum allowable vent length is 10' for a fireplace and 8' for a stove.



3.4 VENT TERMINAL CLEARANCES



COVERED BALCONY APPLICATIONS ††*



| | |
|-----------|--------------------|
| Q_{MIN} | = 3 feet |
| R_{MAX} | = 2 x Q_{ACTUAL} |
| R_{MAX} | ≤ 15 feet |

| | INSTALLATIONS | | |
|---|------------------|-----------------|--|
| | CANADA | U.S.A. | |
| A | 12" | 12" | Clearance above grade, veranda porch, deck or balcony. |
| B | 12" ^Δ | 9" ^Δ | Clearance to windows or doors that open. |
| C | 12" * | 12" * | Clearance to permanently closed windows. |
| D | 18" ** | 18" ** | Vertical clearance to ventilated soffits located above the terminal within a horizontal distance of 2' from the center line of the terminal. |
| E | 12" ** | 12" ** | Clearance to unventilated soffit. |
| F | 0" | 0" | Clearance to an outside corner wall. |
| G | 0" *** | 0" *** | Clearance to an inside non-combustible corner wall or protruding non-combustible obstructions (chimney, etc.). |
| | 2" *** | 2" *** | Clearance to an inside combustible corner wall or protruding combustible obstructions (vent chase, etc.). |
| H | 3' | 3' **** | Clearance to each side of the center line extended above the meter / regulator assembly to a maximum vertical distance of 15'. |
| I | 3' | 3' **** | Clearance to a service regulator vent outlet. |
| J | 12" | 9" | Clearance to a non-mechanical air supply inlet to the building or a combustion air inlet to any other appliance. |
| K | 6' | 3' † | Clearance to a mechanical air supply inlet. |
| L | 7' ‡ | 7' **** | Clearance above a paved sidewalk or paved driveway located on public property. |
| M | 12" †† | 12" **** | Clearance under a veranda, porch or deck. |
| N | 16" | 16" | Clearance above the roof. |
| O | 2' †* | 2' †* | Clearance from an adjacent wall including neighbouring buildings. |
| P | 8' | 8' | Roof must be non-combustible without openings. |
| Q | 3' | 3' | See chart for wider wall dimensions. |
| R | 6' | 6' | See chart for deeper wall dimensions. The terminal shall not be installed on any wall that has an opening between the terminal and the open side of the structure. |
| S | 12" | 12" | Clearance under a covered balcony |

^Δ The terminal shall not be located less than 6 feet under a window that opens on a horizontal plane in a structure with three walls and a roof.

* Recommended to prevent condensation on windows and thermal breakage

** It is recommended to use a heat shield and to maximize the distance to vinyl clad soffits.

*** The periscope requires a minimum 18 inches clearance from an inside corner.

**** This is a recommended distance. For additional requirements check local codes.

† 3 feet above if within 10 feet horizontally.

‡ A vent shall not terminate where it may cause hazardous frost or ice accumulations on adjacent property surfaces.

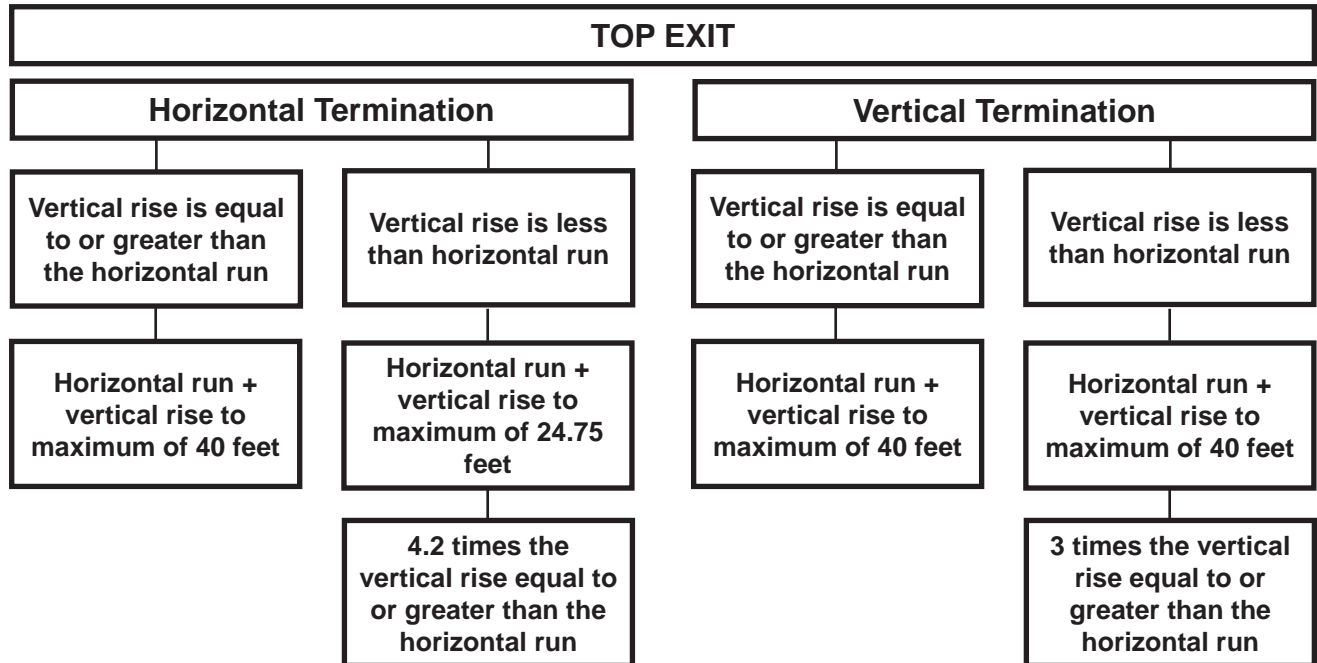
†† Permitted only if the veranda, porch, or deck is fully open on a minimum of two sides beneath the floor.

†* Recommended to prevent recirculation of exhaust products. For additional requirements check local codes.

††* Permitted only if the balcony is fully open on a minimum of one side.

NOTE: Clearances are in accordance with local installation codes and the requirements of the gas supplier.

3.6 VENTING APPLICATION FLOW CHART



13.1

3.5 DEFINITIONS

For the following symbols used in the venting calculations and examples are:

> - greater than

≥ - equal to or greater than

< - less than

≤ - equal to or less than

H_T - total of both horizontal vent lengths (H_R) and offsets (H_O) in feet

H_R - combined horizontal vent lengths in feet

H_O - offset factor: .03 (total degrees of offset - 90°*) in feet

V_T - combined vertical vent lengths in feet

14.1

3.7 ELBOW VENT LENGTH VALUES

| | <u>FEET</u> | <u>INCHES</u> |
|------|-------------|---------------|
| 1° | 0.03 | 0.5 |
| 15° | 0.45 | 6.0 |
| 30° | 0.9 | 11.0 |
| 45° | 1.35 | 16.0 |
| 90°* | 2.7 | 32.0 |

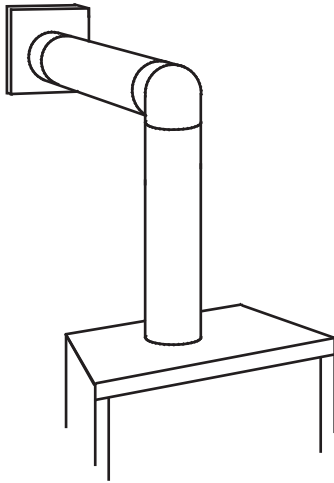
* The first 90° offset has a zero value and is shown in the formula as - 90°

15.1

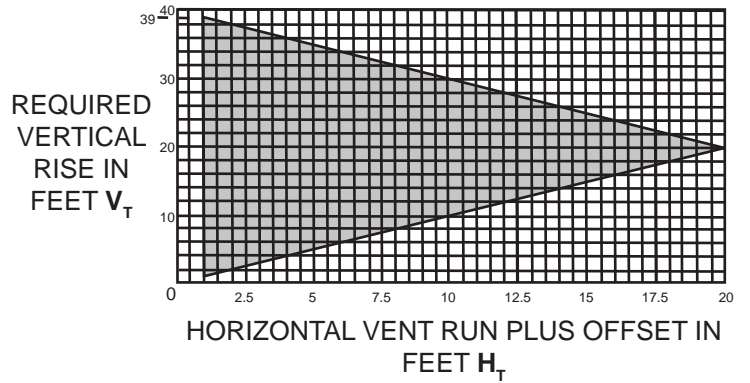
3.8 TOP EXIT HORIZONTAL TERMINATION

$$(H_T) \leq (V_T)$$

Simple venting configuration (only one 90° elbow)



See graph to determine the required vertical rise V_T for the required horizontal run H_T



The shaded area within the lines represents acceptable values for H_T and V_T

For vent configurations requiring more than one 90° elbow, the following formulas apply:

Formula 1: $H_T \leq V_T$

Formula 2: $H_T + V_T \leq 40$ feet

Example:

$V_1 = 3$ FT

$V_2 = 8$ FT

$V_T = V_1 + V_2 = 3$ FT + 8 FT = 11 FT

$H_1 = 2.5$ FT

$H_2 = 2$ FT

$H_R = H_1 + H_2 = 2.5 + 2 = 4.5$ FT

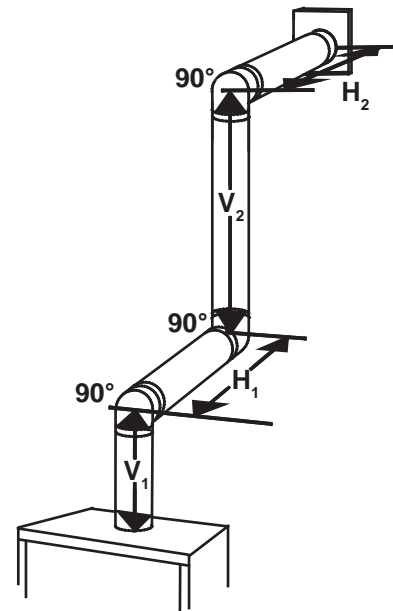
$H_O = .03$ (three 90° elbows - 90°) = .03 (270° - 90°) = 5.4 FT

$H_T = H_R + H_O = 4.5 + 5.4 = 9.9$ FT

$H_T + V_T = 9.9 + 11 = 20.9$ FT

Formula 1: $H_T \leq V_T$
 $9.9 \leq 11$

Formula 2: $H_T + V_T \leq 40$ FT
 $20.9 \leq 40$

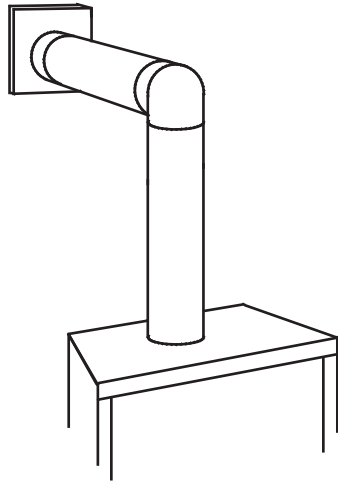


Since both formulas are met, this vent configuration is acceptable.

16.1A

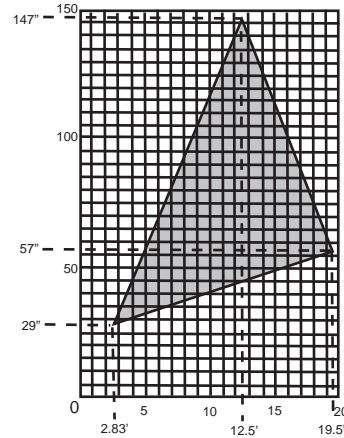
$$(H_T) > (V_T)$$

Simple venting configuration (only one 90° elbow)



See graph to determine the required vertical rise V_T for the required horizontal run H_T .

REQUIRED VERTICAL RISE IN INCHES V_T



HORIZONTAL VENT RUN PLUS OFFSET IN FEET H_T
The shaded area within the lines represents acceptable values for H_T and V_T

For vent configurations requiring more than one 90° elbow, the following formulas apply:

Formula 1: $H_T \leq 4.2 V_T$

Formula 2: $H_T + V_T \leq 24.75$ feet

Example:

$$V_1 = V_T = 6 \text{ FT}$$

$$H_1 = 3 \text{ FT}$$

$$H_2 = 5 \text{ FT}$$

$$H_R = H_1 + H_2 = 3 + 5 = 8 \text{ FT}$$

$$H_O = .03 (\text{two } 90^\circ \text{ elbows} - 90^\circ) = .03 (180^\circ - 90^\circ) = 2.7 \text{ FT}$$

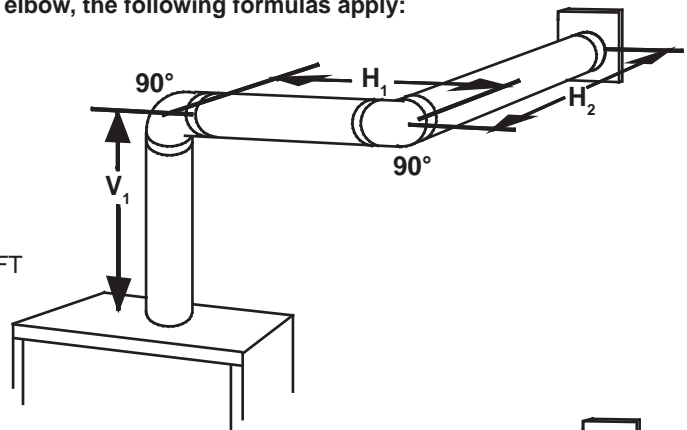
$$H_T = H_R + H_O = 8 + 2.7 = 10.7 \text{ FT}$$

$$H_T + V_T = 10.7 + 6 = 16.7 \text{ FT}$$

Formula 1: $H_T \leq 4.2 V_T$
 $4.2 V_T = 4.2 \times 6 = 25.2 \text{ FT}$

Formula 2: $H_T + V_T \leq 24.75 \text{ FT}$
 $16.7 \leq 24.75$

Since both formulas are met, this vent configuration is acceptable.



Example:

$$V_1 = 4 \text{ FT}$$

$$V_2 = 1.5 \text{ FT}$$

$$V_T = V_1 + V_2 = 4 + 1.5 = 5.5 \text{ FT}$$

$$H_1 = 2 \text{ FT}$$

$$H_2 = 1 \text{ FT}$$

$$H_3 = 1 \text{ FT}$$

$$H_4 = 1.5 \text{ FT}$$

$$H_R = H_1 + H_2 + H_3 + H_4 = 2 + 1 + 1 + 1.5 = 5.5 \text{ FT}$$

$$H_O = .03 (\text{four } 90^\circ \text{ elbows} - 90^\circ) = .03 (360^\circ - 90^\circ) = 8.1 \text{ FT}$$

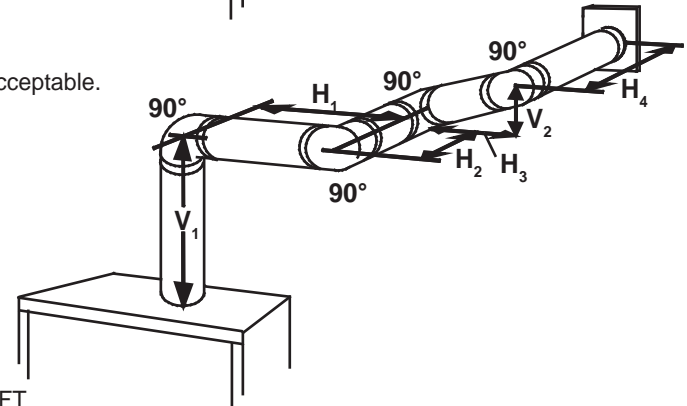
$$H_T = H_R + H_O = 5.5 + 8.1 = 13.6 \text{ FT}$$

$$H_T + V_T = 13.6 + 5.5 = 19.1 \text{ FT}$$

Formula 1: $H_T \leq 4.2 V_T$
 $4.2 V_T = 4.2 \times 5.5 = 23.1 \text{ FT}$

Formula 2: $H_T + V_T \leq 24.75 \text{ FT}$
 $19.1 \leq 24.75$

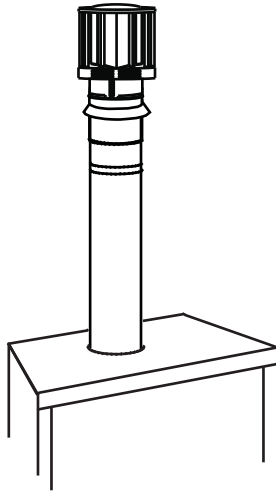
Since both formulas are met, this vent configuration is acceptable.



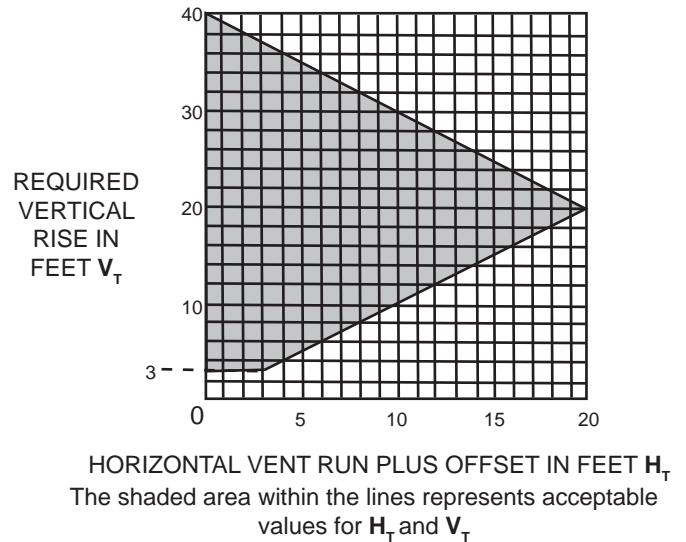
3.9 TOP EXIT VERTICAL TERMINATION

$$(H_T) \leq (V_T)$$

Simple venting configurations.



See graph to determine the required vertical rise V_T for the required horizontal run H_T .



For vent configurations requiring one or more 90° elbows the following formulas apply:

Formula 1: $H_T \leq V_T$

Formula 2: $H_T + V_T \leq 40$ feet

Example:

$V_1 = 5$ FT

$V_2 = 6$ FT

$V_3 = 10$ FT

$V_T = V_1 + V_2 + V_3 = 5 + 6 + 10 = 21$ FT

$H_1 = 8$ FT

$H_2 = 2.5$ FT

$H_R = H_1 + H_2 = 8 + 2.5 = 10.5$ FT

$H_O = .03$ (four 90° elbows - 90°)

$= .03$ (360° - 90°) = 8.1 FT

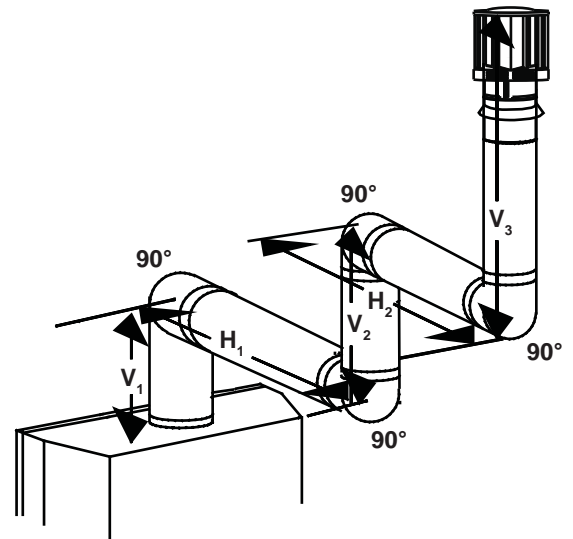
$H_T = H_R + H_O = 10.5 + 8.1 = 18.6$ FT

$H_T + V_T = 18.6 + 21 = 39.6$ FT

Formula 1: $H_T \leq V_T$
 $18.6 \leq 21$

Formula 2: $H_T + V_T \leq 40$ FT
 $39.6 \leq 40$

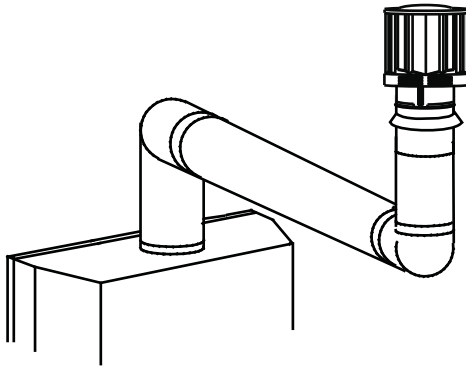
Since both formulas are met, this vent configuration is acceptable.



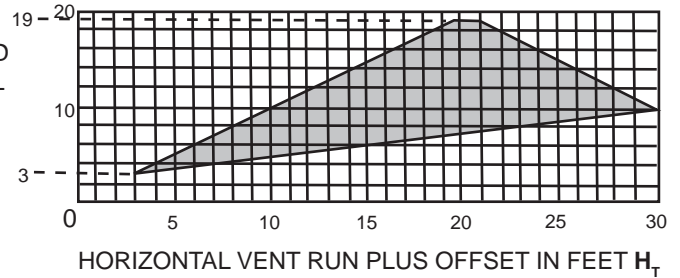
$(H_T) > (V_T)$

Simple venting configurations.

See graph to determine the required vertical rise V_T for the required horizontal run H_T .



REQUIRED VERTICAL RISE IN FEET V_T



HORIZONTAL VENT RUN PLUS OFFSET IN FEET H_T

The shaded area within the lines represents acceptable values for H_T and V_T

For vent configurations requiring more than two 90° elbows the following formulas apply:

Formula 1: $H_T \leq 3V_T$

Formula 2: $H_T + V_T \leq 40$ feet

Example:

$V_1 = 2$ FT

$V_2 = 1$ FT

$V_3 = 1.5$ FT

$V_T = V_1 + V_2 + V_3 = 2 + 1 + 1.5 = 4.5$ FT

$H_1 = 6$ FT

$H_2 = 2$ FT

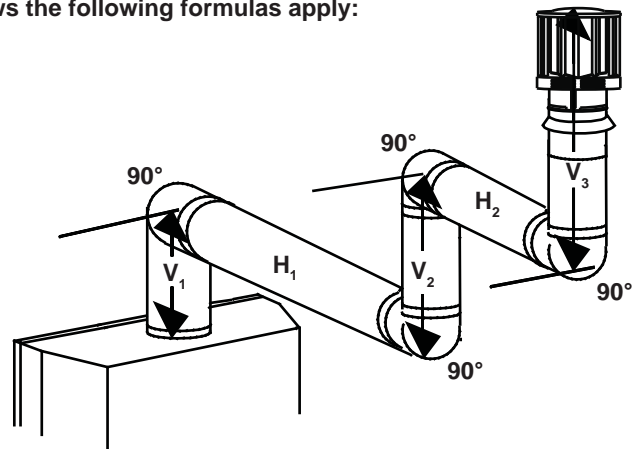
$H_R = H_1 + H_2 = 6 + 2 = 8$ FT

$H_O = .03$ (four 90° elbows - 90°)

$= .03 (360^\circ - 90^\circ) = 8.1$ FT

$H_T = H_R + H_O = 8 + 8.1 = 16.1$ FT

$H_T + V_T = 16.1 + 4.5 = 20.6$ FT



Formula 1: $H_T \leq 3V_T$
 $3V_T = 3 \times 4.5 = 13.5$ FT
 $16.1 > 13.5$

Since this formula is not met, this vent configuration is **unacceptable**.

Formula 2: $H_T + V_T \leq 40$ feet
 $20.6 \leq 40$

Since only formula 2 is met, this vent configuration is unacceptable and a new appliance location or vent configuration will need to be established to satisfy both formulas.

3.10 VERTICAL THROUGH EXISTING CHIMNEY

! WARNING
RISK OF FIRE!

CO-AXIAL TO CO-LINEAR VENTING CONFIGURATIONS MUST ONLY BE USED IN A NON-COMBUSTIBLE CHIMNEY OR ENCLOSURE. INSTALLATION IN A COMBUSTIBLE ENCLOSURE COULD RESULT IN A FIRE.

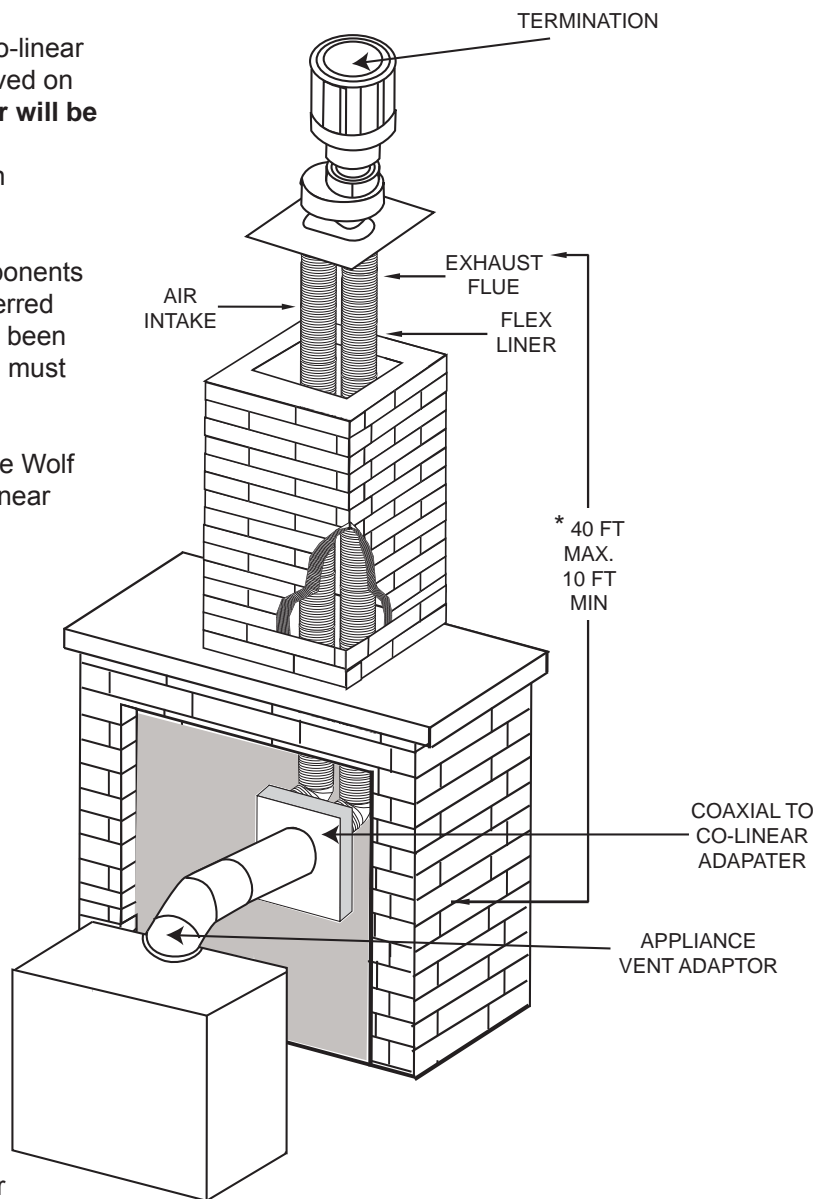
This appliance is designed to be attached to a 3" co-linear aluminum flex vent system running the full length of a masonry chimney.

The flex liners accommodate any contours of a masonry chimney, however, it is necessary to keep the flexible liners as straight as possible. The inlet air collar of the termination cap must be connected to the air intake flex liner and the exhaust collar must be connected to the exhaust flexible liner.

Both Simpson Duravent and Selkirk co-linear to co-axial adaptors have been approved on this appliance (**NOTE: A vent adaptor will be required directly off the appliance**). Follow vent manufacturer's installation instructions.

Different manufacturer's venting components must not be combined. Once the preferred manufacturer's appliance adaptor has been attached, the remainder of the system must be that of the same manufacturer.

The only exception to this rule is to use Wolf Steel's approved 3" flex liner and co-linear termination.



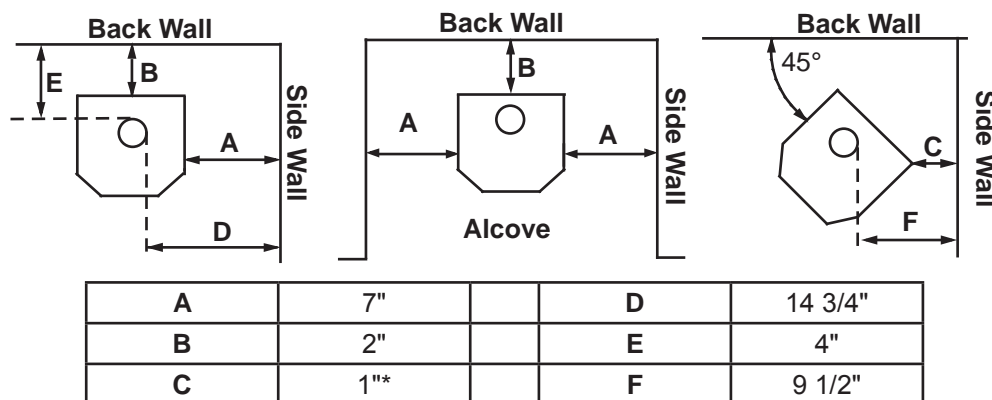
* Measured from appliance flue collar to termination flue collar

4.0 INSTALLATION

| |
|---|
| ! WARNING |
| FOR SAFE AND PROPER OPERATION OF THE APPLIANCE, FOLLOW THE VENTING INSTRUCTIONS EXACTLY. |
| ALL INNER EXHAUST AND OUTER INTAKE VENT PIPE JOINTS MAY BE SEALED USING EITHER RED RTV HIGH TEMP SILICONE SEALANT W573-0002 (NOT SUPPLIED) OR BLACK HIGH TEMP MILL PAC W573-0007 (NOT SUPPLIED) WITH THE EXCEPTION OF THE APPLIANCE EXHAUST FLUE COLLAR WHICH MUST BE SEALED USING MILL PAC. |
| IF USING PIPE CLAMPS TO CONNECT VENT COMPONENTS, 3 SCREWS MUST ALSO BE USED TO ENSURE THE CONNECTION CANNOT SLIP OFF. |
| DO NOT CLAMP THE FLEXIBLE VENT PIPE. |
| RISK OF FIRE, EXPLOSION OR ASPHYXIATION. IMPROPER SUPPORT OF THE ENTIRE VENTING SYSTEM MAY ALLOW VENT TO SAG AND SEPARATE. USE VENT RUN SUPPORTS AND CONNECT VENT SECTIONS PER INSTALLATION INSTRUCTIONS. |
| RISK OF FIRE, DO NOT ALLOW LOOSE MATERIALS OR INSULATION TO TOUCH THE VENT PIPE. REMOVE INSULATION TO ALLOW FOR THE INSTALLATION OF THE ATTIC SHIELD AND TO MAINTAIN CLEARANCES TO COMBUSTIBLES. |

68.2A

4.1 MINIMUM CLEARANCES TO COMBUSTIBLES



- No additional floor protection is required.
 - A minimum 20" from appliance top to ceiling.
 - A minimum 1" clearance to combustibles from bottom and sides of vent pipe.
- * At a distance of 1" from the wall, access to the blower switch, on/off switch or the blower power cord may not be practical.

4.2 WALL AND CEILING PROTECTION

! WARNING

DO NOT FILL THE SPACE BETWEEN THE VENT PIPE AND ENCLOSURE WITH ANY TYPE OF MATERIAL. DO NOT PACK INSULATION OR COMBUSTIBLES BETWEEN CEILING FIRESTOPS. ALWAYS MAINTAIN SPECIFIED CLEARANCES AROUND VENTING AND FIRESTOP SYSTEMS. INSTALL WALL SHIELDS AND FIRESTOPS AS SPECIFIED. FAILURE TO KEEP INSULATION OR OTHER MATERIALS AWAY FROM VENT PIPE MAY CAUSE FIRE.

70.1

For optimum performance, it is recommended that all horizontal runs have a minimum 1/4" rise per foot when venting. For safe and proper operation of the appliance, follow the venting instructions exactly.

4.2.1 HORIZONTAL INSTALLATION

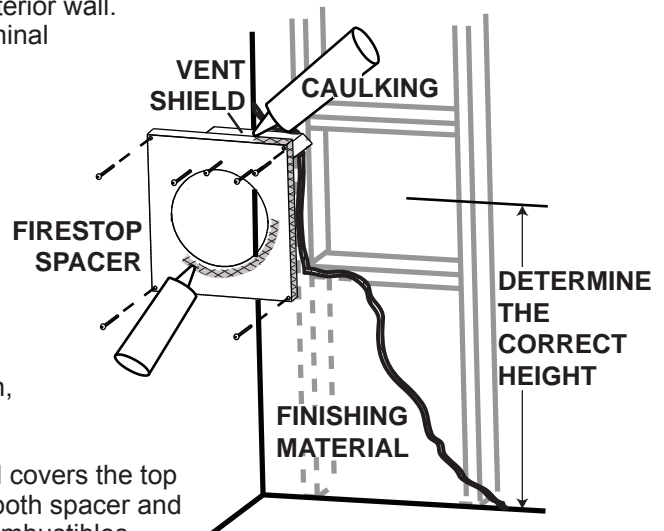
! WARNING

THE FIRESTOP ASSEMBLY MUST BE INSTALLED WITH THE VENT SHIELD TO THE TOP.

TERMINALS MUST NOT BE RECESSED INTO A WALL OR SIDING MORE THAN THE DEPTH OF THE RETURN FLANGE OF THE MOUNTING PLATE.

This application occurs when venting through an exterior wall. Having determined the correct height for the air terminal location, cut and frame a hole in the exterior wall as illustrated to accommodate the firestop assembly. Dry fit the firestop assembly before proceeding to ensure the brackets on the rear surface fit to the inside surface of the horizontal framing.

The length of the vent shield may be cut shorter for combustible walls that are less than 8 1/2" thick but the vent shield must extend the full depth of the combustible wall.



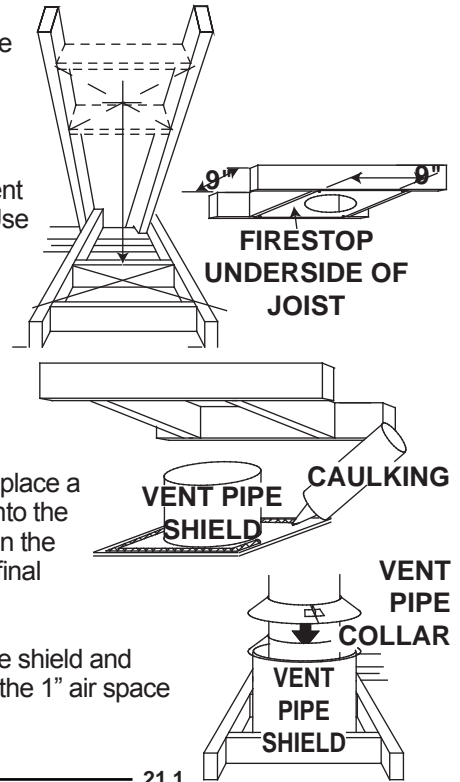
- A. Assemble the shield to the spacer as shown, using the 3 shorter screws supplied.
- B. Place the firestop top so that the vent shield covers the top of the vent within the opening. Ensure that both spacer and shield maintain the required clearance to combustibles.
- C. Secure the spacer in place using the 4 longer screws supplied. Once the vent pipe is installed in its final position, apply sealant between the pipe and the firestop spacer.

20.5A

4.2.2 VERTICAL INSTALLATION

This application occurs when venting through a roof. Installation kits for various roof pitches are available from your authorized dealer / distributor. See accessories to order specific kits required.

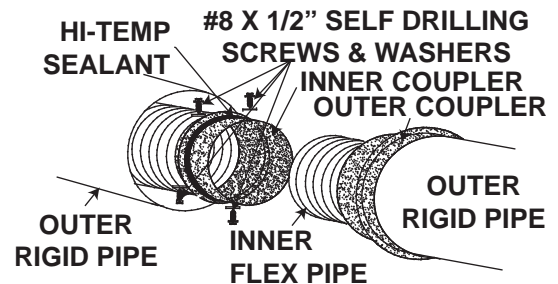
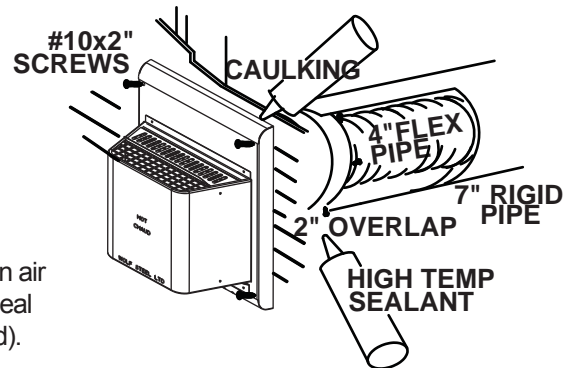
- A. Determine the air terminal location, cut and frame a square opening as illustrated in the ceiling and the roof to provide the minimum 1" clearance between the vent pipe and any combustible material. Try to center the vent pipe location midway between two joists to prevent having to cut them. Use a plumb bob to line up the center of the openings. A vent pipe shield will prevent any materials such as insulation, from filling up the 1" air space around the pipe. Nail headers between the joist for extra support.
- B. Apply a bead of caulking (not supplied) to the framework or to the Wolf Steel vent pipe shield plate or equivalent (in the case of a finished ceiling), and secure over the opening in the ceiling. A firestop must be placed on the bottom of each framed opening in a roof or ceiling that the venting system passes through. Apply a bead of caulking all around and place a firestop spacer over the vent shield to restrict cold air from being drawn into the room or around the fireplace. Ensure that both spacer and shield maintain the required clearance to combustibles. Once the vent pipe is installed in its final position, apply sealant between the pipe and the firestop assembly.
- C. In the attic, slide the vent pipe collar down to cover up the open end of the shield and tighten. This will prevent any materials, such as insulation, from filling up the 1" air space around the pipe.



21.1

4.2.3 HORIZONTAL AIR TERMINAL INSTALLATION - MODEL GDS28

- A. Stretch the inner flex pipe to the required length taking into account the additional length needed for the finished wall surface. Apply a heavy bead of the high temperature sealant W573-0007 Mill Pac (not supplied) to the inner sleeve of the air terminal. Slip the vent pipe a minimum of 2" over the inner sleeve of the air terminal and secure with 3 #8 screws.
- B. Using the outer rigid pipe, slide over the outer combustion air sleeve of the air terminal and secure with 3 #8 screws. Seal using high temperature sealant W573-0002 (not supplied).
- C. Insert the vent pipes through the firestop maintaining the required clearance to combustibles. Holding the air terminal (lettering in an upright, readable position), secure to the exterior wall and make weather tight by sealing with caulking (not supplied).
- D. From inside the house, using silicone, seal between the vent pipe and the firestop. Then slide the black trim collar over the vent pipe up to the firestop.
- E. If more vent pipe needs to be used to reach the appliance, couple them together as illustrated. The vent system must be supported approximately every 3 feet for both vertical and horizontal runs. Use noncombustible strapping to maintain the minimum clearance to combustibles.



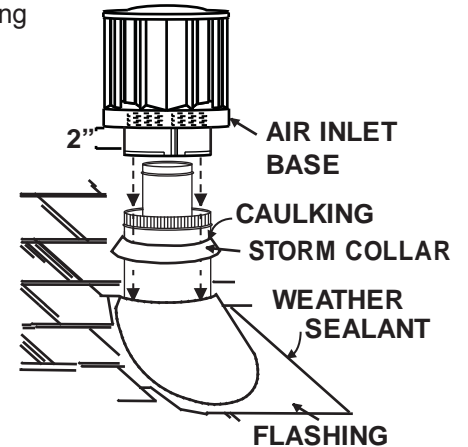
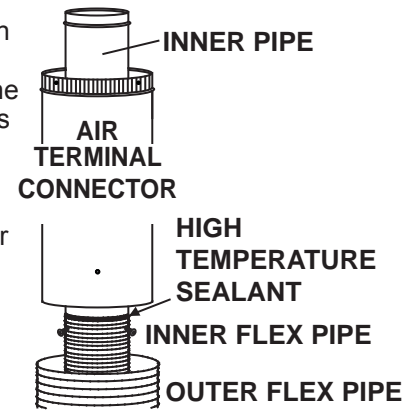
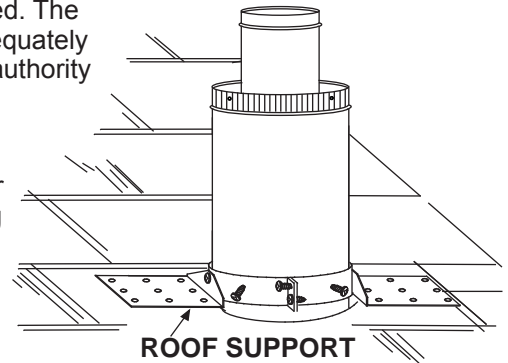
The air terminal mounting plate may be recessed into the exterior wall or siding no greater than the depth of its return flange.

23.7B

4.2.4 VERTICAL AIR TERMINAL INSTALLATION

! WARNING**MAINTAIN A MINIMUM 2" SPACE BETWEEN THE AIR INLET BASE AND THE STORM COLLAR.**

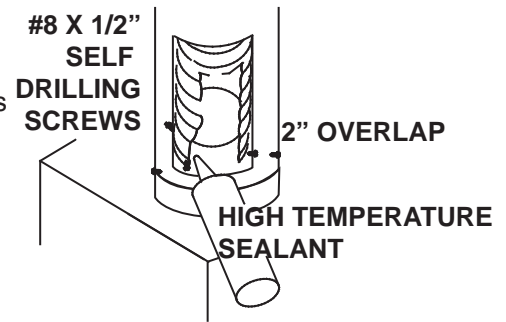
- A.** Fasten the roof support to the roof using the screws provided. The roof support is optional. In this case the venting is to be adequately supported using either an alternate method suitable to the authority having jurisdiction or the optional roof support.
- B.** Stretch the inner flex pipe to the required length. Slip the inner flex pipe a minimum of 2" over the inner pipe of the air terminal connector and secure with 3 #8 screws. Seal using a heavy bead of high temperature sealant W573-0007 (not supplied).
- C.** Repeat using the outer flex pipe, using a heavy bead of high temperature sealant W573-0002 (not supplied).
- D.** Thread the air terminal connector / vent pipe assembly down through the roof. The air terminal must be positioned vertically and plumb. Attach the air terminal connector to the roof support, ensuring that the top of the air terminal is 16" above the highest point that it penetrates the roof.
- E.** Remove nails from the shingles, above and to the sides of the air terminal connector. Place the flashing over the air terminal connector leaving a min. 3/4" of the air terminal connector showing above the top of the flashing. Slide the flashing underneath the sides and upper edge of the shingles. Ensure that the air terminal connector is properly centred within the flashing, giving a 3/4" margin all around. Fasten to the roof. Do not nail through the lower portion of the flashing. Make weather-tight by sealing with caulking. Where possible, cover the sides and top edges of the flashing with roofing material.
- F.** Aligning the seams of the terminal and air terminal connector, place the terminal over the air terminal connector making sure the vent pipe goes into the hole in the terminal. Secure with the three screws provided.
- G.** Apply a heavy bead of weatherproof caulking 2" above the flashing. Install the storm collar around the air terminal and slide down to the caulking. Tighten to ensure that a weather-tight seal between the air terminal and the collar is achieved.
- H.** If more vent pipe needs to be used to reach the appliance see "HORIZONTAL AIR TERMINAL INSTALLATION" section.



24.1

4.3 APPLIANCE VENT CONNECTION

- A. Attach the adjustable pipe to the last section of rigid pipe. Secure with screws and seal.
- B. Install the inner flex pipe to the appliance. Secure with 3 screws and flat washers. Seal the joint and screw holes using the high temperature sealant W573-0007 (not supplied).
- C. Run a bead of high temperature sealant (not supplied) around the inside of the air intake collar. Pull the adjustable pipe a minimum 2" into the air intake collar.



NOTE: Ensure that the sealant is not visible on the exterior pipes once installation is completed. An optional decorative black band is available for this use. In the event that the venting must be disassembled, care must be taken to reseal the venting.

28.3

4.4 MOBILE HOME INSTALLATION - MODEL GDS28

In Canada, mobile home installation may be vented horizontally or vertically. In the United States, it may only be installed vertically. See "VERTICAL VENTING" or "HORIZONTAL AIR TERMINAL INSTALLATION" section for installation.

For mobile home installations, the appliance must be fastened in place. It is recommended that the appliance be secured in all installations. Use the levelling / securing kit, GDSLL-KT for this purpose.

4.5 GAS INSTALLATION

! WARNING

RISK OF FIRE, EXPLOSION OR ASPHYXIATION. ENSURE THERE ARE NO IGNITION SOURCES SUCH AS SPARKS OR OPEN FLAMES.

SUPPORT GAS CONTROL WHEN ATTACHING GAS SUPPLY PIPE TO PREVENT DAMAGING GAS LINE.

ALWAYS LIGHT THE PILOT WHETHER FOR THE FIRST TIME OR IF THE GAS SUPPLY HAS RUN OUT WITH THE GLASS DOOR OPENED OR REMOVED. PURGING OF THE GAS SUPPLY LINE SHOULD BE PERFORMED BY A QUALIFIED SERVICE TECHNICIAN. ASSURE THAT A CONTINUOUS GAS FLOW IS AT THE BURNER BEFORE CLOSING THE DOOR. ENSURE ADEQUATE VENTILATION. FOR GAS AND ELECTRICAL LOCATIONS, SEE “DIMENSION” SECTION.

ALL GAS CONNECTIONS MUST BE CONTAINED WITHIN THE APPLIANCE WHEN COMPLETE.

HIGH PRESSURE WILL DAMAGE VALVE. DISCONNECT GAS SUPPLY PIPING BEFORE TESTING GAS LINE AT TEST PRESSURES ABOVE 1/2 PSIG.

VALVE SETTINGS HAVE BEEN FACTORY SET, DO NOT CHANGE.

Installation and servicing to be done by a qualified installer.

- A. Move the appliance into position and secure.
- B. If equipped with a flex connector the appliance is designed to accept a 1/2” gas supply. Without the connector it is designed to accept a 3/8” gas supply. The appliance is equipped with a manual shut off valve to turn off the gas supply to the appliance.
- C. Connect the gas supply in accordance to local codes. In the absence of local codes, install to the current CAN/CSA-B149.1 Installation Code in Canada or to the current National Fuel Gas Code, ANSI Z223.1 / NFPA 54 in the United States.
- D. When flexing any gas line, support the gas valve so that the lines are not bent or kinked.
- E. The gas line flex-connector should be installed to provide sufficient movement for shifting the burner assembly on it’s side to aid with servicing components.
- F. Check for gas leaks by brushing on a soap and water solution. **Do not use open flame.**

30.1A

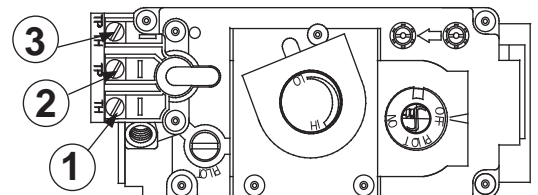
4.6 OPTIONAL WALL SWITCH / THERMOSTAT / REMOTE

! WARNING

DO NOT CONNECT EITHER THE WALL SWITCH, THERMOSTAT OR GAS VALVE DIRECTLY TO 110 VOLT ELECTRICITY.

For ease of accessibility, an optional remote wall switch or millivolt thermostat may be installed in a convenient location. Route a 2 strand, solid core millivolt wire from the valve to the wall switch or millivolt thermostat. The recommended maximum lead length depends on wire size:

| WIRE SIZE | MAX. LENGTH |
|-----------|-------------|
| 14 gauge | 100 feet |
| 16 gauge | 60 feet |
| 18 gauge | 40 feet |



Disconnect the existing wires from terminals 1 and 3 (from the ON/OFF switch) and replace with the leads from the wall switch / millivolt thermostat.

50.1

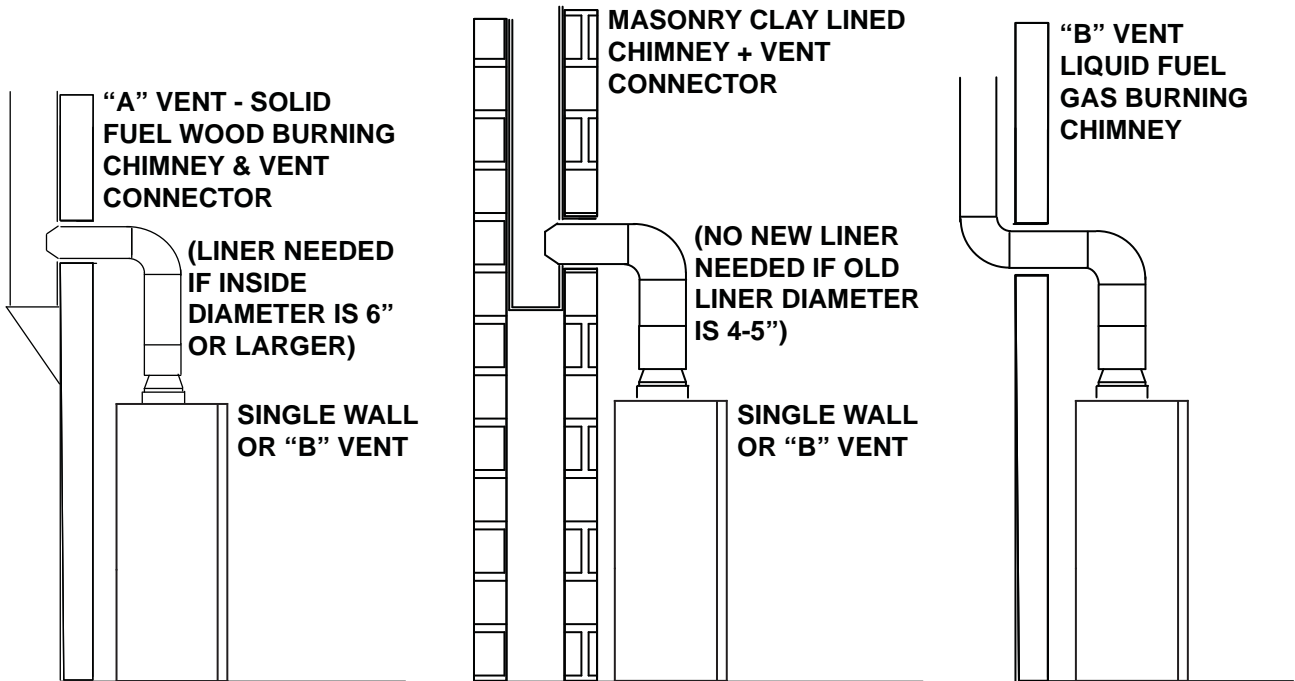
4.7 NATURAL VENT SPECIFICS

4.7.1 CHIMNEY INSTALLATION

! WARNING

A CHIMNEY VENTING THIS APPLIANCE SHALL NOT VENT ANY SOLID FUEL BURNING APPLIANCE.

Three types of chimney systems may be used with this appliance.



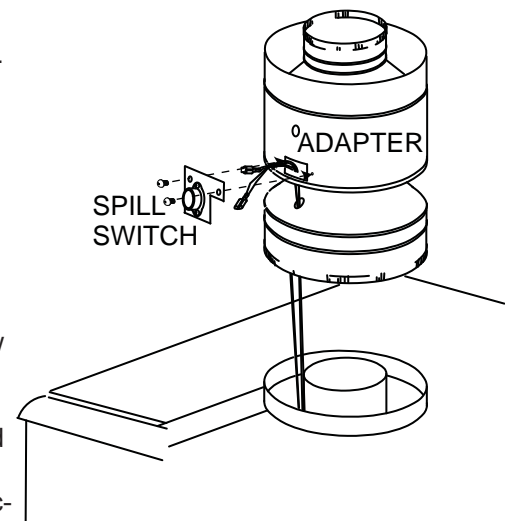
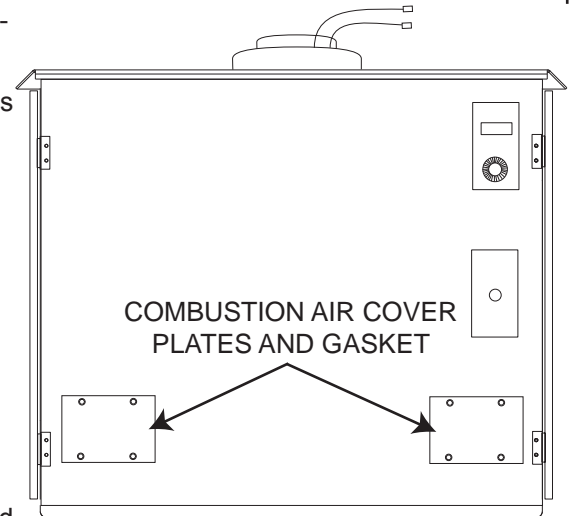
A chimney venting this appliance shall not vent any solid fuel burning appliance.
All horizontal runs must have a 1/4" rise per foot

63.7A

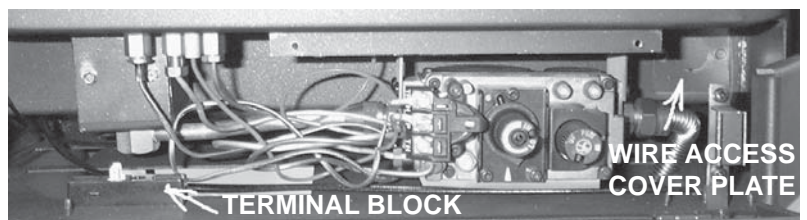
4.7.2 INSTALLING NATURAL VENT

Follow the instructions of the natural vent manufacturer for chimney installation.

- A. Remove and discard the two combustion air cover plates and gaskets located on the rear panel of the appliance.
- B. Replace the four screws per side to secure the rear panel to the appliance.
- C. Remove the spill switch bracket from the rear of the adapter.
- D. Gently pull the two wire terminals (located inside the 7" flue collar at the top of the appliance) out approximately 8".
- E. Bring the wires through the lower hole in the adapter and out the spill switch opening. To pass the wires through the hole more easily, temporarily tape the two terminals together.
- F. With the spill switch opening aligned to the back of the appliance, push the crimped edge of the adapter in to the appliance flue collar.
- G. Connect the wire terminals to the spill switch and re-secure the bracket.
- H. Secure the terminal block into place as shown with the screw supplied.
- I. Unscrew the wire access cover plate from the rear right hand side below the firebox. Remove and discard the gasket. Remove the knockout from the cover plate and insert the protective bushing. Pull both spill switch wires through the bushing taking up any slack. Replace the cover plate. Connect one wire end to the terminal block and the other end to terminal 1 of the gas valve. Connect the two wires running down the left side of the appliance from the on/off switch to the remaining tab on the terminal block and to terminal 3 on the gas valve.



For aesthetics, the adapter has been designed to accept a standard matte black 7" stove pipe and the decorative band (standard with the GS-150KT). Both are available from your local authorized dealer / distributor.



4.7.3 NATURAL VENT

Attach the Natural Vent label, shown, in the control area of the appliance.

ATTACH THIS LABEL IN THE CONTROL AREA OF THE APPLIANCE.
THIS APPLIANCE HAS BEEN CONVERTED TO A NATURAL VENT MODEL.

ATTACHEZ CET ÉTIQUETTE DANS LA RÉGION DE CONTRÔLE DU FOYER.
CET APPAREIL A ÉTÉ CONVERTI À UN MODÈLE À TIRAGE NATUREL.

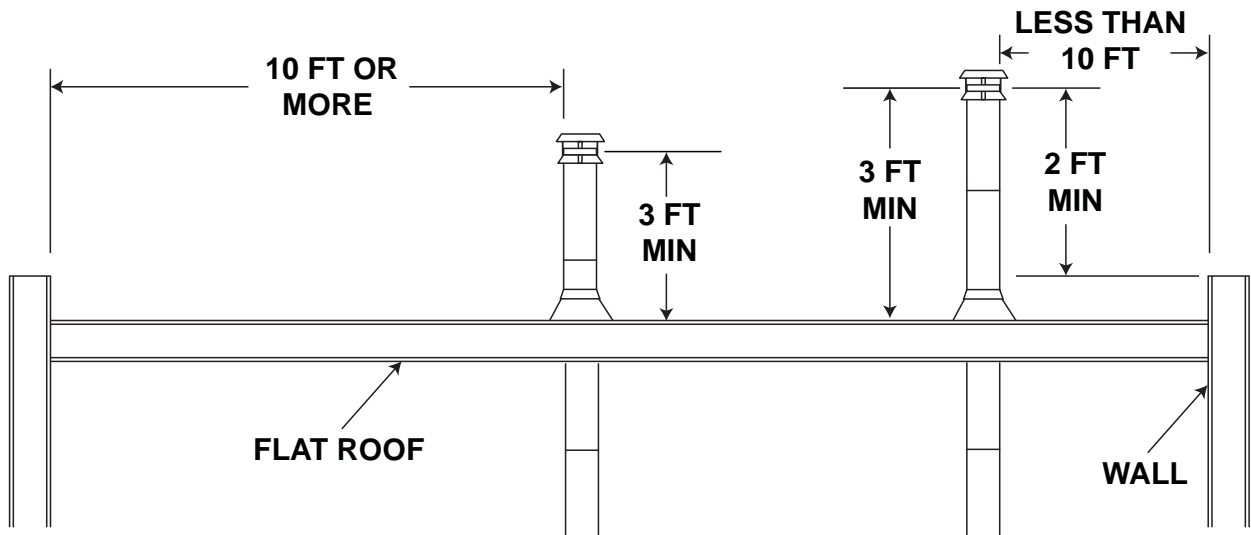
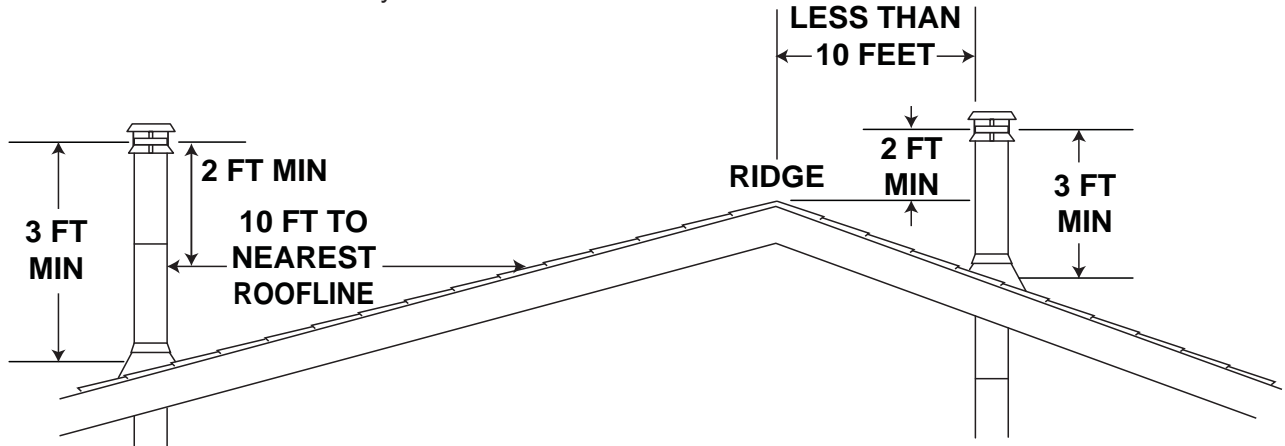
A / W385-0160

4.7.4 COMBUSTION AIR

This appliance needs air for safe operation and must be installed in such a way that adequate combustion air is available.

4.7.5 ADDING VENT SECTIONS

Add chimney sections, according to the manufacturers installation instructions. The chimney must extend at least, 3 feet above its point of contact with the roof and at least 2 feet higher than any wall, roof, building or obstacle within 10 feet horizontally.



59.1A

5.0 FINISHING

| |
|---|
| ! WARNING |
| RISK OF FIRE! |
| NEVER OBSTRUCT THE FRONT OPENING OF THE APPLIANCE. |
| DO NOT STRIKE, SLAM OR SCRATCH GLASS. DO NOT OPERATE APPLIANCE WITH GLASS REMOVED, CRACKED, BROKEN OR SCRATCHED. |

72.4

5.1 DOOR CLOSING AND OPENING

| |
|--|
| ! WARNING |
| GLASS MAY BE HOT, DO NOT TOUCH GLASS UNTIL COOLED. |
| THE DOOR LATCHES ARE PART OF A SAFETY SYSTEM AND MUST BE PROPERLY ENGAGED. DO NOT OPERATE THE APPLIANCE WITH LATCHES DISENGAGED. |
| BEFORE DOOR IS REMOVED TURN THE APPLIANCE OFF AND WAIT UNTIL APPLIANCE IS COOL TO THE TOUCH. DOORS ARE HEAVY AND FRAGILE SO HANDLE WITH CARE. |

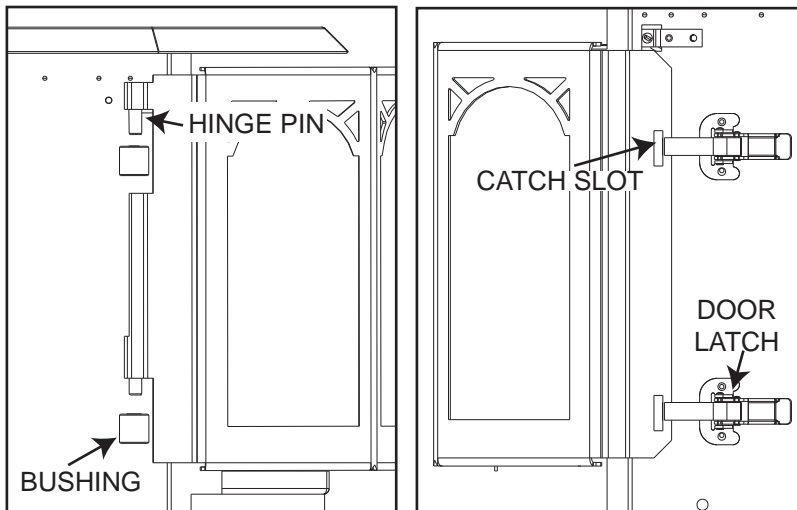
75.3

When installing the fire viewing door, a simple procedure must be followed in order to not damage the door.

- A. Open both side doors, exposing the bushings on the left and the latches on the right.
- B. Align the pins on the door to the bushings. Lower into place until both bushings touch.
- C. Engage the latch hooks into the door frame. Snap the rear handle hook to lock the latch closed.

NOTE: It may be necessary to lift the door when securing it to ensure that it is in a horizontal position.

To open the door, repeat in reverse order.



! WARNING

FAILURE TO POSITION THE LOGS IN ACCORDANCE WITH THESE DIAGRAMS OR FAILURE TO USE ONLY LOGS SPECIFICALLY APPROVED WITH THIS APPLIANCE MAY RESULT IN PROPERTY DAMAGE OR PERSONAL INJURY.

LOGS MUST BE PLACED IN THEIR EXACT LOCATION IN THE APPLIANCE. DO NOT MODIFY THE PROPER LOG POSITIONS, SINCE APPLIANCE MAY NOT FUNCTION PROPERLY AND DELAYED IGNITION MAY OCCUR.

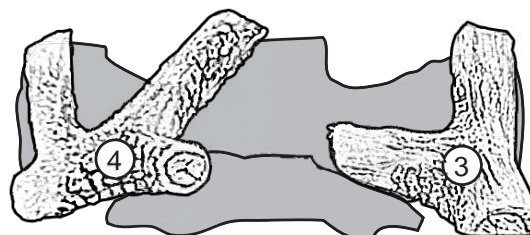
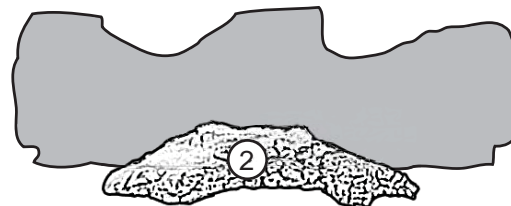
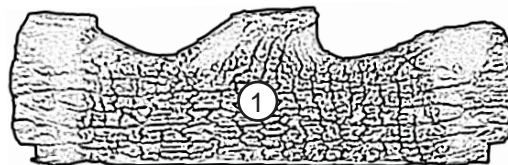
THE LOGS ARE FRAGILE AND SHOULD BE HANDLED WITH CARE.

76.1A

PHAZER™ logs, glowing embers and charcoal embers exclusive to Wolf Steel Ltd. fireplaces, glow when exposed to direct flame and provide a unique and realistic glowing effect that is different in every installation. Use only certified PHAZER™ logs, glowing embers and charcoal embers available from your local authorized dealer / distributor.

Log colours may vary. During the initial use of the appliance, the colours will become more uniform as colour pigments burn in during the heat activated curing process.

- A. Place the back log into the firebox, pushing it as close to the firebox wall as possible and centered onto the log support pan.
- B. Place the front log on the ember screen lining up the studs with the holes on the bottom of the log.
- C. Set the two cross-over logs into the pockets provided on both the front and rear logs as shown.



5.3 GLOWING EMBERS

! WARNING

DO NOT BLOCK THE BURNER PORTS. BLOCKED PORTS CAN CAUSE AN INCORRECT FLAME PATTERN, CARBON DEPOSITS AND DELAYED IGNITION.

Tear the glowing embers into pieces and place onto the screen beneath the front log. Care should be taken to shred the embers into thin, small irregular pieces as only the exposed edges of the fibre hairs will glow when exposed to direct flame.

31.1

5.4 CHARCOAL EMBERS

Randomly place the charcoal embers along the front and sides of the log support tray in a realistic manner.

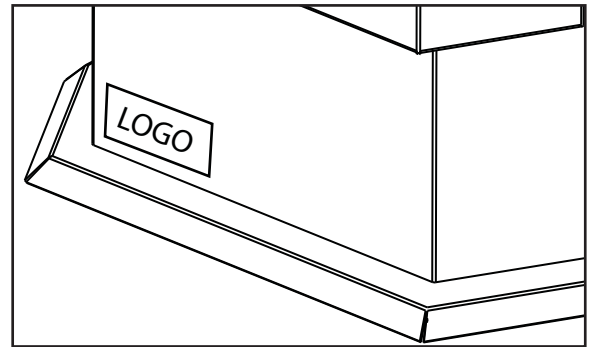
Fine dust found in the bottom of the bag should not be used.

NOTE: Charcoal embers are not to be placed on the burner.

32.1

5.5 LOGO PLACEMENT

Remove the backing of the logo supplied and centre over the logo installation holes, as indicated.



6.0 OPERATION

WARNING

IF YOU DO NOT FOLLOW THESE INSTRUCTIONS EXACTLY, A FIRE OR EXPLOSION MAY RESULT CAUSING PROPERTY DAMAGE, PERSONAL INJURY OR LOSS OF LIFE.

ALWAYS LIGHT THE PILOT WHETHER FOR THE FIRST TIME OR IF THE GAS SUPPLY HAS RAN OUT WITH THE GLASS DOOR OPENED OR REMOVED.

TAMPERING WITH THE SPILL SWITCH CAN RESULT IN CARBON MONOXIDE (CO) POISONING AND POSSIBLE DEATH (GS28 ONLY).

MODEL GS28 ONLY: SPILL SWITCH

This is a thermally activated switch, attached to the back of the chimney adaptor, which senses the change in temperature and shuts down the gas valve in the event of a blocked or disconnected vent. It acts as a safety shut-off to prevent a build up of carbon monoxide or an explosion of unburned gases during start up. If the flue is blocked or has no "draw", the spill switch will automatically shut off the supply of gas within about 5-10 minutes.

MODEL GS28 ONLY: VENTING ACTION CHECK

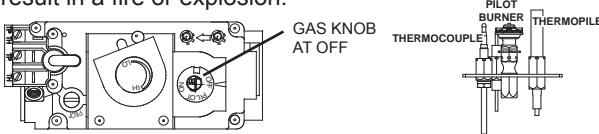
A CHECK FOR CORRECT VENTING ACTION MUST BE MADE BEFORE THE INSTALLED APPLIANCE IS LEFT WITH THE CUSTOMER. Test in the following manner:





- A.** Close all doors and windows in the room / start exhaust fans in the home / turn appliance blower off (if equipped).
- B.** Set controls to "high" and light the appliance.
- C.** Wait 5 minutes. Light a match and extend it 1" into the hole located above the spill switch bracket on the adaptor.
- D.** Venting action is satisfactory if the flame stays lit. Venting action is unsatisfactory if the flame extinguishes.
- E.** If venting action is unsatisfactory, turn the appliance off, wait 10 minutes and try again. If the match does not stay lit, turn the appliance off and check for vent blockage or restriction. If necessary, consult with a qualified inspector.

6.1 OPERATING/LIGHTING INSTRUCTIONS

The on-off switch is located on the back of the appliance at the top left corner on models GDS28 and GS28.

When lit for the first time, the appliance will emit a slight odour for a few hours. This is a normal temporary condition caused by the "burn-in" of paints and lubricants used in the manufacturing process and will not occur again. Simply open a window to sufficiently ventilate the room. After extended periods of non-operation such as following a vacation or a warm weather season, the appliance may emit a slight odour for a few hours. This is caused by dust particles in the heat exchanger burning off. Open a window to sufficiently ventilate the room.

| OPERATING INSTRUCTIONS | |
|---|---|
| FOR YOUR SAFETY READ BEFORE OPERATING | |
| <p>WARNING: If you do not follow these instructions exactly, a fire or explosion may result causing property damage, personal injury or loss of life.</p> | |
| <p>A. This appliance is equipped with a pilot which must be lit by hand while following these instructions exactly.</p> <p>B. Before operating smell all around the appliance area for gas and next to the floor because some gas is heavier than air and will settle on the floor.</p> <p>C. Use only your hand to turn the gas control knob / manual shut-off knob. Never use tools. If the knob will not turn by hand, do not try to repair it. Call a qualified service technician. Force or attempted repair may result in a fire or explosion.</p> | <p>D. Do not use this appliance if any part has been under water. Immediately call a qualified service technician to inspect the appliance and replace any part of the control system and any gas control which has been under water.</p> <p>WHAT TO DO IF YOU SMELL GAS:</p> <ul style="list-style-type: none"> • Turn off all gas to the appliance. • Open windows. • Do not try to light any appliance. • Do not touch any electric switch; do not use any phone in your building. • Immediately call your gas supplier from a neighbour's phone. Follow the gas supplier's instructions. • If you cannot reach your gas supplier, call the fire department. |
|  | |

| LIGHTING INSTRUCTIONS | |
|---|--|
| <p>WARNING: The gas valve has an interlock device which will not allow the pilot burner to be lit until the thermocouple has cooled. Allow approximately 60 seconds for the thermocouple to cool.</p> <p>When lighting and re-lighting, the gas knob cannot be turned from PILOT to OFF unless the knob is depressed.</p> | |
| <ol style="list-style-type: none"> 1. STOP! Read the safety information on the operating label. 2. Turn off all electric power to the appliance. 3. Turn the gas knob clockwise  to off. 4. Wait five (5) minutes to clear out any gas. If you smell gas including near the floor, Stop! Follow "B" on the operating label. If you don't smell gas go to the next step. 5. Find pilot located in front of back log. | <ol style="list-style-type: none"> 6. Turn gas knob counter-clockwise  to pilot. 7. Depress and hold gas knob while lighting the pilot with the push button ignitor. Keep knob fully depressed for one minute, then release. If pilot does not continue to burn repeat steps 3 through 6. 8. With pilot lit, turn the gas knob counter-clockwise  to on. 9. If equipped with remote on-off switch, main burner may not come on when you turn the valve to on. Remote switch must be in the on position to ignite burner. 10. Turn on all electric power to the appliance. |
| TO TURN OFF GAS | |
| <ol style="list-style-type: none"> 1. Turn off all electric power to the appliance if service is to be performed. | <ol style="list-style-type: none"> 2. Push in gas control knob slightly and turn clockwise  to off. Do not force. |

7.0 ADJUSTMENT

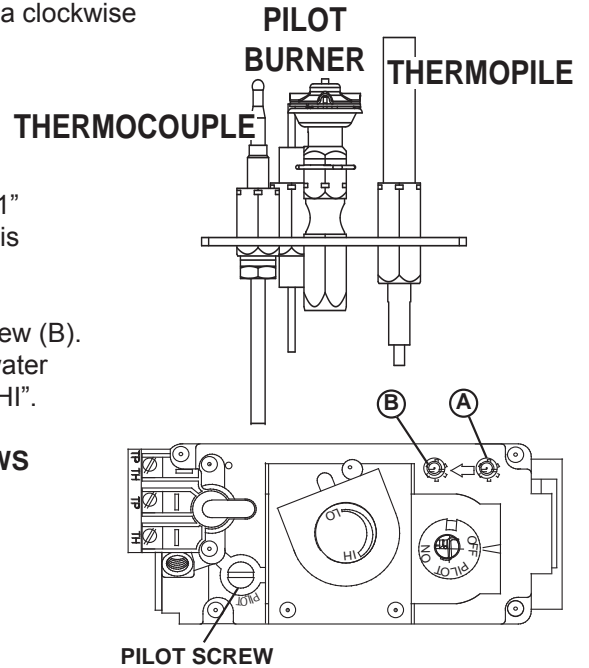
7.1 PILOT BURNER ADJUSTMENT

Adjust the pilot screw to provide properly sized flame. Turn in a clockwise direction to reduce the gas flow.

Inlet pressure can be checked by turning screw (A) counter-clockwise until loosened and then placing pressure gauge tubing over the test point. Gauge should read 7" (minimum 4.5") water column for natural gas or 13" (11" minimum) water column for propane. Check that main burner is operating on "HI".

Outlet pressure can be checked the same as above using screw (B). Gauge should read 3.5" water column for natural gas or 10" water column for propane. Check that main burner is operating on "HI".

AFTER TAKING PRESSURE READINGS, TIGHTEN SCREWS FIRMLY TO SEAL. DO NOT OVER TORQUE. LEAK TEST.



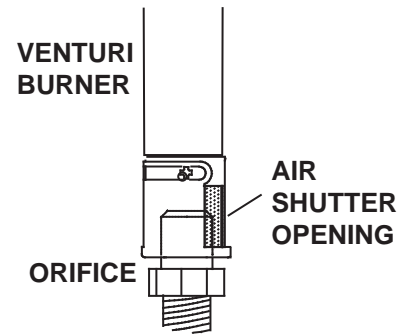
39.3

7.2 VENTURI ADJUSTMENT

This appliance has an air shutter that has been factory set open according to the chart below:

Regardless of venturi orientation, closing the air shutter will cause a more yellow flame, but can lead to carboning. Opening the air shutter will cause a more blue flame, but can cause flame lifting from the burner ports. The flame may not appear yellow immediately; allow 15 to 30 minutes for the final flame colour to be established.

AIR SHUTTER ADJUSTMENT MUST ONLY BE DONE BY A QUALIFIED INSTALLER!



49.1

| GDS28 | |
|-------|-------|
| NG | 5/16" |
| LP | 3/8" |

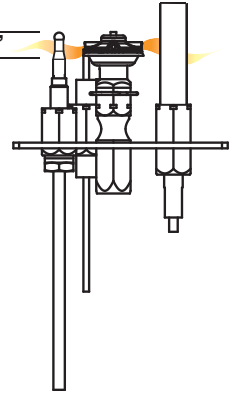
7.3 FLAME CHARACTERISTICS

It's important to periodically perform a visual check of the pilot and burner flames. Compare them to the illustrations provided. If any flames appear abnormal call a service person.



3/8" - 1/2"

**FLAME MUST
ENVELOP UPPER
3/8" TO 1/2" OF
THERMOCOUPLE &
THERMOPILE**



54.2

7.4 RESTRICTING VERTICAL VENTS

Vertical installations may display a very active flame. If this appearance is not desirable, the vent exit must be restricted using a restrictor vent kit. Refer to "ACCESORIES" in the "REPLACEMENTS" section for the appropriate kit. This will reduce the velocity of the exhaust gases, slowing down the flame pattern and creating a more traditional gentle flame appearance. Specific instructions are included with the kit.

77.3

8.0 MAINTENANCE

| |
|--|
| ! WARNING |
| TURN OFF THE GAS AND ELECTRICAL POWER BEFORE SERVICING THE APPLIANCE. |
| APPLIANCE MAY BE HOT, DO NOT SERVICE UNTIL APPLIANCE HAS COOLED. |
| DO NOT USE ABRASIVE CLEANERS. |

CAUTION: Label all wires prior to disconnection when servicing controls. Wiring errors can cause improper and dangerous operation. Verify proper operation after servicing. This appliance and its venting system should be inspected before use and at least annually by a qualified service person. The appliance area must be kept clear and free of combustible materials, gasoline or other flammable vapors and liquids. The flow of combustion and ventilation air must not be obstructed.

- A. In order to properly clean the burner and pilot assembly, remove the logs, rocks and/or glass to expose both assemblies.
 - B. Keep the control compartment, media, burner, air shutter opening and the area surrounding the logs clean by vacuuming or brushing, at least once a year.
 - C. Check to see that all burner ports are burning. Clean out any of the ports which may not be burning or are not burning properly.
 - D. Check to see that the pilot flame is large enough to engulf the flame sensor and/or thermocouple / thermopile as well as reaches the burner.
 - E. Replace the cleaned logs, rocks or glass. Failure to properly position the media may cause carboning which can be distributed in the surrounding living area.
 - F. Check to see that the main burner ignites completely on all openings when turned on. A 5 to 10 second total light-up period is satisfactory. If ignition takes longer, consult your local authorized dealer / distributor.
 - G. Check that the gasketing on the sides, top and bottom of the door is not broken or missing. Replace if necessary.
 - H. If for any reason the vent air intake system is disassembled, re-install and re-seal per the instructions provided for the initial installation.
- 40.1
9. Inspect the ember screen beneath the front log. Long term exposure to direct flames will deteriorate the stainless steel screen. Replace as required.

8.1 CARE OF GLASS

DO NOT CLEAN GLASS WHEN HOT! DO NOT USE ABRASIVE CLEANERS TO CLEAN GLASS.

Buff lightly with a clean dry soft cloth. Clean both sides of the glass after the first 10 hours of operation with a recommended fireplace glass cleaner. Thereafter clean as required. If the glass is not kept clean permanent discoloration and / or blemishes may result.

| | |
|--|---|
| ! WARNING | |
|  | <p>HOT GLASS WILL CAUSE BURNS.</p> <p>DO NOT TOUCH GLASS UNTIL COOLED.</p> <p>NEVER ALLOW CHILDREN TO TOUCH GLASS.</p> |

5.1

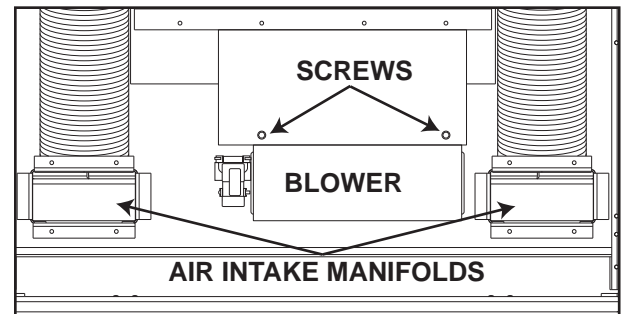
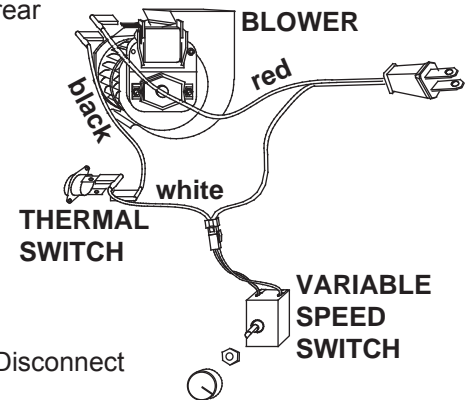
8.2 BLOWER REPLACEMENT

Blower replacement may be done through either the firebox or from the rear of the appliance. Using the rear panel is recommended.

INSTALLATION THROUGH THE REAR PANEL :

FOR MODEL GDS28

- Turn off the electrical power and the gas supply to the appliance.
- Remove the two combustion air covers and gaskets held on with 4 screws each. Remove the rear panel held in place with 6 screws.
- Remove the 2 screws holding the blower to its mounting plate. Disconnect the two blower wires.
- Replace the blower and reconnect the two wires. When replacing the rear panel, ensure that the wires are neither pinched nor interfere with the blower operation. Ensure that the combustion air cover plates and gaskets are properly installed and sealed.



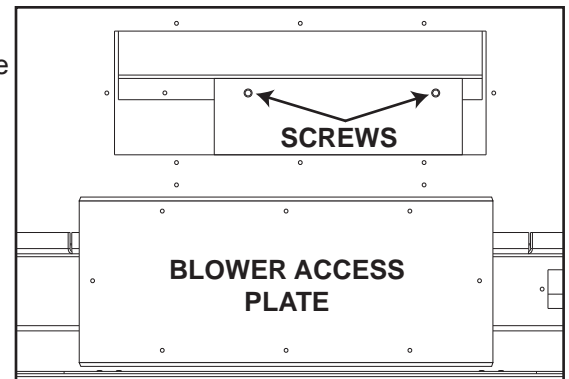
FOR MODEL GS28

- Turn off the electrical power and the gas supply to the appliance.
- Remove the 8 screws securing the air intake manifolds to the rear panel. Remove the rear panel held in place with 6 screws.
- Remove the 2 screws holding the blower to its mounting plate. Disconnect the two blower wires.
- Replace the blower and reconnect the two wires. When replacing the rear panel, ensure that the wires are neither pinched nor interfere with the blower operation. Re-secure the air intake manifolds.

INSTALLATION THROUGH THE FIREBOX:

REPLACEMENT BLOWER ACCESS GASKET IS REQUIRED.

- Turn off the electrical power and the gas supply to the appliance.
- Open the lower control door, the two side doors, and the fire viewing door. Remove the logs.
- Remove the blower access plate held on with 8 screws.
- Disconnect the two blower wires. Remove the blower bracket held on with 2 screws.
- Replace the blower using the existing bracket. Replace the bracket/blower assembly on the appliance.
- Reconnect the two wires. Hold the replacement gasket in place and reattach the blower access plate. Replace the logs. Close all doors.



Turn the gas supply and electricity back on.

Because the blower is thermally activated, when turned on, it will automatically start approximately 15-30 minutes after lighting the appliance and will run for approximately 30-45 minutes after the appliance has been turned off. Use of the fan increases the output of heat.

Drywall dust will penetrate into the blower bearings causing irreparable damage and must be prevented from coming into contact with the blower or its compartment.

Any damage resulting from this condition is not covered by the warranty policy.

9.0 REPLACEMENTS

! WARNING

FAILURE TO POSITION THE PARTS IN ACCORDANCE WITH THIS MANUAL OR FAILURE TO USE ONLY PARTS SPECIFICALLY APPROVED WITH THIS APPLIANCE MAY RESULT IN PROPERTY DAMAGE OR PERSONAL INJURY.

**** THIS IS A FAST ACTING THERMOCOUPLE. IT IS AN INTEGRAL SAFETY COMPONENT. REPLACE ONLY WITH A FAST ACTING THERMOCOUPLE SUPPLIED BY WOLF STEEL LTD.**

Contact your dealer or the factory for questions concerning prices and policies on replacement parts. Normally all parts can be ordered through your Authorized dealer / distributor.

FOR WARRANTY REPLACEMENT PARTS, A PHOTOCOPY OF THE ORIGINAL INVOICE WILL BE REQUIRED TO HONOUR THE CLAIM.

When ordering replacement parts always give the following information:

- Model & Serial Number of appliance
- Installation date of appliance
- Part number
- Description of part
- Finish

*** IDENTIFIES ITEMS WHICH ARE NOT ILLUSTRATED. FOR FURTHER INFORMATION, CONTACT YOUR AUTHORIZED DEALER.**

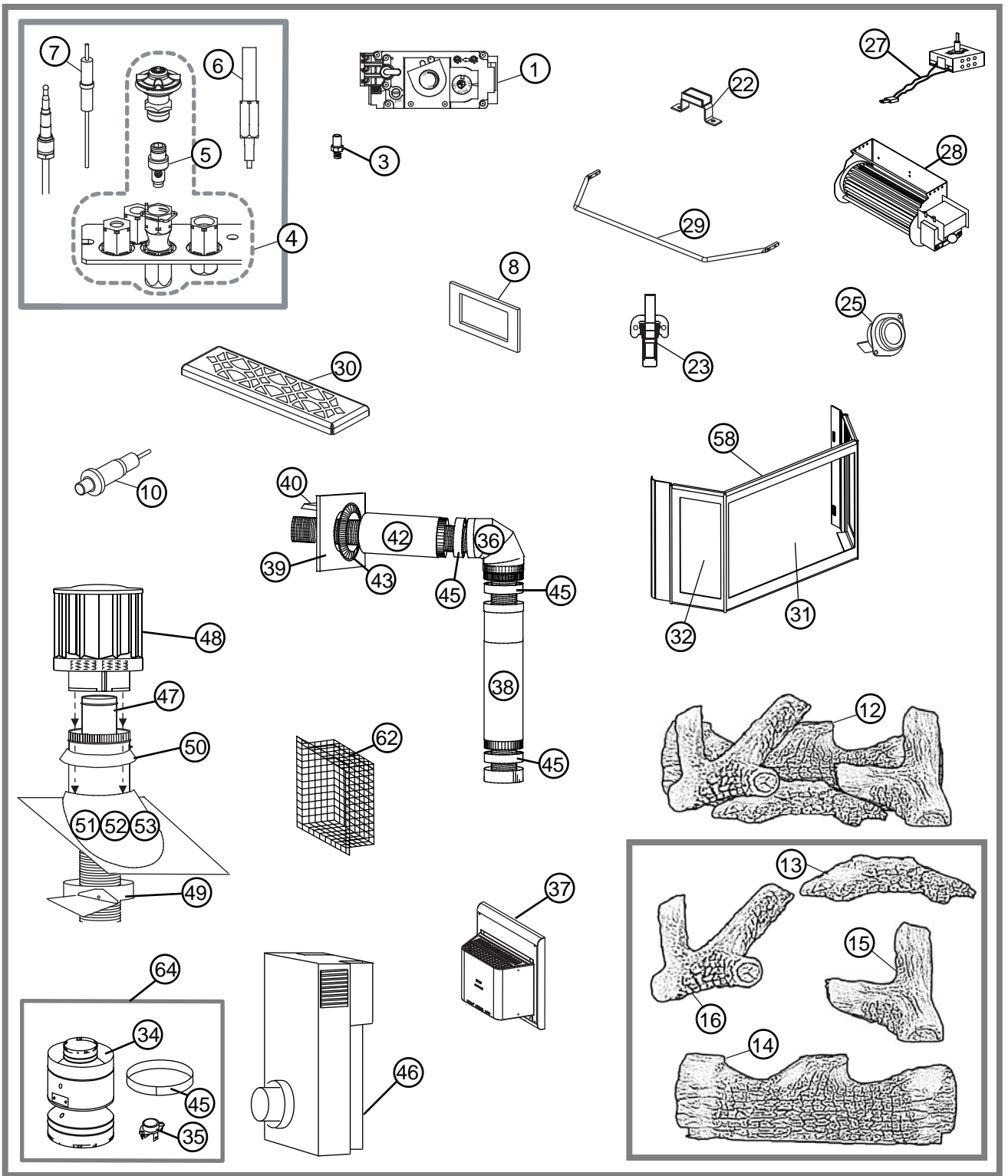
41.2

COMMON COMPONENTS

| REF NO. | PART NO. | DESCRIPTION |
|---------|-----------|-----------------------------|
| 1 | W725-0042 | SIT VALVE - NG |
| 1 | W725-0043 | SIT VALVE - LP |
| 2* | W100-0056 | BURNER |
| 3 | W456-0037 | #37 BURNER ORIFICE - NG |
| 3 | W456-0054 | #54 BURNER ORIFICE - LP |
| 4 | W010-0550 | PILOT ASSEMBLY - LP |
| 4 | W010-0633 | PILOT ASSEMBLY - NG |
| 5 | W455-0052 | PILOT ORIFICE - LP |
| 5 | W455-0062 | PILOT ORIFICE - NG |
| 6 | W680-0008 | THERMOCOUPLE ** |
| 7 | W680-0004 | THERMOPILE |
| 8 | W290-0029 | PILOT GASKET |
| 9* | W010-0865 | EMBER SCREEN ASSEMBLY |
| 10 | W357-0001 | PIEZO IGNITOR |
| 11* | W475-0235 | CONTROL PANEL |
| 12 | GL-620 | 4PC LOG ASSEMBLY C/W EMBERS |
| 13 | W135-0058 | FRONT LOG |
| 14 | W135-0059 | BACK LOG |
| 15 | W135-0060 | RIGHT LOG |
| 16 | W135-0061 | LEFT LOG |
| 17* | W361-0016 | GLOWING EMBERS |
| 18* | W550-0001 | CHARCOAL EMBERS |
| 19* | W290-0043 | BURNER GASKET |
| 20* | W385-0351 | NAPOLEON LOGO |
| 21* | W290-0045 | BLOWER ACCESS GASKET |
| 22 | W430-0002 | MAGNETIC CLOSURE |
| 23 | W390-0002 | LATCH |
| 24* | W660-0009 | ON/OFF SWITCH |
| 25 | W690-0002 | THERMAL SWITCH |

| COMMON COMPONENTS | | |
|--|-----------|---|
| REF NO. | PART NO. | DESCRIPTION |
| 26* | W380-0002 | VARIABLE SPEED SWITCH KNOB |
| 27 | KB-35 | VARIABLE SPEED SWITCH |
| 28 | GZ552 | REPLACEMENT BLOWER |
| 29 | W030-0022 | ACCENT BAR |
| 30 | W200-0077 | BLACK TRIVET |
| 31 | W300-0038 | FRONT WINDOW GLASS |
| 32 | W300-0037 | SIDE WINDOW GLASS |
| 33* | W562-0022 | GLASS GASKET |
| GS28 COMPONENTS | | |
| REF NO. | PART NO. | DESCRIPTION |
| 34 | W010-0459 | ADAPTOR C/W SPILL SWITCH |
| 35 | W660-0006 | SPILL SWITCH |
| TERMINAL KITS | | |
| REF NO. | PART NO. | DESCRIPTION |
| GD175 - WALL TERMINAL KIT | | |
| 36 | BM6790 | 90° ELBOW - 7" DIAMETER |
| 37 | GD-222 | TERMINAL ASSEMBLY |
| 38 | BM67ADJ | 30" TO 53" ADJUSTABLE PIPE - 7"DIAMETER |
| 39 | W010-1313 | FIRESTOP / WALL PLATE |
| 40 | W585-0267 | TOP VENT SHIELD |
| 41* | W020-0032 | HARDWARE |
| 42 | BM6724 | 24" STOVE PIPE - 7" DIAMETER |
| 43 | BM3730 | BLACK TRIM COLLAR |
| 44* | W010-0300 | 10' ALUMINUM FLEX LINER C/W SPACERS - 4" DIAMETER |
| 45 | W025-0003 | DECORATIVE BLACK BAND |
| GD180 - PERISCOPE TERMINAL KIT | | |
| 36 | BM6790 | 90° ELBOW - 7" DIAMETER |
| 38 | BM67ADJ | 30" TO 53" ADJUSTABLE PIPE - 7"DIAMETER |
| 39 | W010-1313 | FIRESTOP / WALL PLATE |
| 40 | W585-0267 | TOP VENT SHIELD |
| 41* | W020-0032 | HARDWARE |
| 42 | BM6724 | 24" STOVE PIPE - 7" DIAMETER |
| 43 | BM3730 | BLACK TRIM COLLAR |
| 44* | W010-0300 | 10' ALUMINUM FLEX LINER C/W SPACERS - 4" DIAMETER |
| 45 | W025-0003 | DECORATIVE BLACK BAND |
| 46 | GD-201 | PERISCOPE |
| ROOF TERMINAL KITS | | |
| REF NO. | PART NO. | DESCRIPTION |
| GD110 - ROOF TERMINAL KIT - 1/12 TO 7/12 PITCH | | |
| 47 | W490-0073 | 4/7 INNER/OUTER SLEEVE |
| 48 | W670-0006 | TERMINAL, 4/7 |
| 49 | W010-0567 | ROOF SUPPORT |
| 50 | W170-0063 | STORM COLLAR |
| 51 | W263-0054 | FLASHING |
| GD111 - ROOF TERMINAL KIT - 8/12 TO 12/12 PITCH | | |
| 47 | W490-0073 | 4/7 INNER/OUTER SLEEVE |
| 48 | W670-0006 | TERMINAL, 4/7 |
| 49 | W010-0567 | ROOF SUPPORT |
| 50 | W170-0063 | STORM COLLAR |
| 52 | W263-0055 | FLASHING |

| ROOF TERMINAL KITS | | |
|--|-----------|--------------------------|
| REF NO. | PART NO. | DESCRIPTION |
| GD112 - ROOF TERMINAL KIT - FLAT ROOF | | |
| 47 | W490-0073 | 4/7 INNER/OUTER SLEEVE |
| 48 | W670-0006 | TERMINAL, 4/7 |
| 49 | W010-0567 | ROOF SUPPORT |
| 50 | W170-0063 | STORM COLLAR |
| 53 | W263-0056 | FLASHING |
| COMMON ACCESSORIES | | |
| REF NO. | PART NO. | DESCRIPTION |
| 30 | GS200-G | GOLD TRIVET |
| 30 | GS200-SS | SATING CHROME TRIVET |
| 54* | W573-0007 | HIGH TEMPERATURE SEALANT |
| 55* | W660-0081 | THERMOSTAT SWITCH |
| 56* | F40 | ON/OFF REMOTE |
| 57* | F50 | THERMOSTATIC REMOTE |
| 58 | GS328-1K | DOOR, BLACK |
| 58 | GS328-1G | DOOR, GOLD |
| 58 | GS328-1SS | DOOR, SATIN CHROME |
| 59* | W175-0124 | CONVERSION KIT NG - LP |
| 59* | W175-0125 | CONVERSION KIT LP - NG |
| 60* | W715-0195 | PEDESTAL TRIM |
| GDS28 | | |
| REF NO. | PART NO. | DESCRIPTION |
| 46 | GD-201 | PERISCOPE |
| 61* | BM6745 | 45° ELBOW |
| 62 | GD-301 | HEAT GUARD |
| 63* | W175-0001 | 4" COUPLER |
| GS28 | | |
| REF NO. | PART NO. | DESCRIPTION |
| 64 | GS-150K | ADAPTER KIT |



10.0 TROUBLESHOOTING

! WARNING

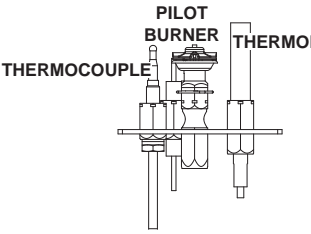
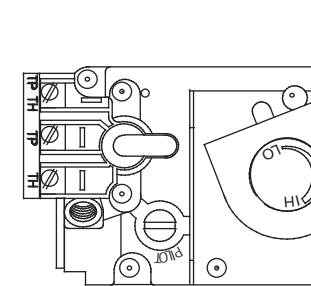
ALWAYS LIGHT THE PILOT WHETHER FOR THE FIRST TIME OR IF THE GAS SUPPLY HAS RAN OUT, WITH THE GLASS DOOR OPEN OR REMOVED.

TURN OFF THE GAS AND ELECTRICAL POWER BEFORE SERVICING THE APPLIANCE.

APPLIANCE MAY BE HOT, DO NOT SERVICE UNTIL APPLIANCE HAS COOLED.

DO NOT USE ABRASIVE CLEANERS.

| SYMPTOM | PROBLEM | TEST SOLUTION |
|--|---|--|
| Main burner goes out; pilot stays on. | Pilot flame is not large enough or not engulfing the thermopile. | - Turn up the pilot flame. - Replace pilot assembly. |
| | Thermopile shorting. | - Clean thermopile connection to the valve. Reconnect. - Replace thermopile / valve. |
| | Remote wall switch wire is too long; too much resistance in the system. | - Shorten wire to correct length or wire gauge. |
| | Faulty thermostat or switch. | - Replace. |
| Main burner goes out; pilot goes out. | Refer to "MAIN BURNER GOES OUT; PILOT STAYS ON" | |
| | Vent is blocked | - Check for vent blockage. |
| | Vent is re-circulating | - Check joint seals and installation |
| | Flexible vent has become disconnected from appliance. | - Re-attach to appliance. - Cap was not replaced. |
| Pilot goes out when the gas knob is released. The gas valve has an interlock device which will not allow the pilot burner to be lit until the thermocouple has cooled. Allow approximately 60 seconds for the thermocouple to cool. | System is not correctly purged | - Purge the gas line. |
| | Out of propane gas. | - Fill the tank. |
| | Pilot flame is not large enough. | - Turn up the pilot flame. |
| | Pilot flame is not engulfing the thermocouple | - Gently twist the pilot head to improve the flame pattern around the thermocouple. |
| | Thermocouple shorting / faulty. | - Loosen and tighten thermocouple. - Clean thermocouple and valve connection. - Replace thermocouple. - Replace valve. |
| | Faulty valve. | - Replace. |
| Pilot burning; no gas to main burner; gas knob is on 'HI'; wall switch / thermostat is on. | Thermostat or switch is defective | - Connect a jumper wire across the wall switch terminals; if main burner lights, replace switch / thermostat. |
| | Wall switch wiring is defective. | - Disconnect the switch wires & connect a jumper wire across terminals 1 & 3; if the main burner lights, check the wires for defects and/or replace wires. |
| | Main burner orifice is plugged. | - Remove stoppage in orifice. |
| | Faulty valve. | - Replace. |
| Pilot goes out while standing; Main burner is in 'OFF' position. | Gas piping is undersized. | - Turn on all gas appliances and see if pilot flame flutters, diminishes or extinguishes, especially when main burner ignites. Monitor appliance supply working pressure. - Check if supply piping size is to code. Correct all undersized piping. |
| Main burner flame is a blue, lazy, transparent flame. | Blockage in vent. | - Remove blockage. In really cold conditions, ice buildup may occur on the terminal and should be removed as required. To minimize this from happening again, it is recommended that the vent lengths that pass through unheated spaces (attics, garages, crawl spaces) be wrapped with an insulated mylar sleeve. Prevent sleeve from sagging. Contact your local authorized dealer for more information. |

| SYMPTOM | PROBLEM | TEST SOLUTION |
|--|--|--|
| Pilot will not light. | No spark at pilot burner. | <ul style="list-style-type: none"> - Check if pilot can be lit by a match. - Check that the wire is connected to the push button igniter. - Check if the push button igniter needs tightening. - Replace the wire if the wire insulation is broken or frayed. - Replace the electrode if the ceramic insulator is cracked or broken. - Replace the push button ignitor |
|  | Out of propane gas. | <ul style="list-style-type: none"> - Fill the tank. |
| | Spark gap is incorrect. | <ul style="list-style-type: none"> - Spark gap should be 0.150" to 0.175" (5/32" to 11/64" approx.) from the electrode tip and the pilot burner. To ensure proper electrode location, tighten securing nut (finger tight plus 1/4 turn). |
| | No gas at the pilot burner. | <ul style="list-style-type: none"> - Check that the manual valve is turned on. - Check the pilot orifice for blockage. - Replace the valve. - Call the gas distributor. |
| Flames are consistently too large or too small. Carboning occurs. | Unit is over-fired or underfired. | <ul style="list-style-type: none"> - Check pressure readings: - Inlet pressure can be checked by turning screw (A) counter-clockwise 2 or 3 turns and then placing pressure gauge tubing over the test point. Gauge should read 7" (minimum 4.5") water column for natural gas or 13" (minimum 11") water column for propane. Check with main burner is operating on 'HI'. - Outlet pressure can be checked the same as above using screw (B). Gauge should read 3.5" water column for natural gas or 10" water column for propane. Check that main burner is operating on 'HI'. - AFTER TAKING PRESSURE READINGS, BE SURE TO TURN SCREWS CLOCKWISE FIRMLY TO RESEAL. DO NOT OVER TORQUE. - Leak test with a soap and water solution. |
|  | Door is ajar. | <ul style="list-style-type: none"> - Ensure the mechanical means of securing the door is providing a tight seal. |
| | Venting action is too great. | <ul style="list-style-type: none"> - Check to ensure venting is properly sealed. - If a restrictor plate is not included with the unit, restrict vent exit with the restrictor plate kit listed in the "ACCESSORIES" section. |
| Carbon is being deposited on glass, logs or combustion chamber surfaces. | Air shutter has become blocked. Flame is impinging on the logs or combustion chamber. | <ul style="list-style-type: none"> - Ensure air shutter opening is free of lint or other obstructions. - Check that the logs are correctly positioned. - Open air shutter to increase the primary air. - Check the input rate: check the manifold pressure and orifice size as specified by the rating plate values. - Check that the door gasketing is not broken or missing and that the seal is tight. - Check that both vent liners are free of holes and well sealed at all joints. - Check that minimum rise per foot has been adhered to for any horizontal venting. |

| SYMPTOM | PROBLEM | TEST SOLUTION |
|---|---------------------------------------|---|
| Pilot goes out while standing; Main burner is in "OFF" position. | Gas piping is undersized. | - Turn on all gas appliances and see if pilot flame flutters, diminishes or extinguishes, especially when main burner ignites. Monitor appliance supply working pressure. - Check if supply piping size is to code. Correct all undersized piping. |
| Remote wall switch is in "OFF" position; main burner comes on when gas knob is turned to "ON" position. | Wall switch is mounted upside down. | - Reverse. |
| | Remote wall switch is grounding. | - Replace. |
| | Remote wall switch wire is grounding. | - Check for ground (short); repair ground or replace wire. |
| | Faulty valve. | - Replace. |

42.2_3

| SYMPTOM | PROBLEM | TEST SOLUTION |
|---------------------------------------|--|--|
| Door Sticking | Dirt / dust adheres to the hinges; is heated and burns causing sticking. | - Lift door from its hinges. Lubricate with high temp dry graphite only. Replace. - NOTE: Due to the high temperatures that the hinges experience, wet lubricants such as oil and WD40 will cause the hinge to seize and are therefore not suitable. |
| Main burner goes out; pilot goes out. | Thermocouple shorting or faulty. | - Loosen and tighten thermocouple. - Clean thermocouple and valve connection. - Replace thermocouple. |

GS28

| SYMPTOM | PROBLEM | TEST SOLUTION |
|---------------------------------------|----------------------|--|
| Main burner goes out; pilot stays on. | Venting is spilling. | - Test with spill switch bypassed. - Check for vent blockage. |

GDS28

| SYMPTOM | PROBLEM | TEST SOLUTION |
|---|-------------------------|--|
| Main burner goes out; pilot goes out. | Vent re-circulating. | - Check joint seals and installation. |
| Main burner flame is a blue, lazy, transparent flame. | Blockage in vent. | - Remove blockage. In really cold conditions, ice buildup may occur on the terminal and should be removed as required. |
| | Incorrect installation. | - Ensure vent configuration is within prescribed venting parameters |

| SYMPTOM | PROBLEM | TEST SOLUTION |
|---|---|---|
| White / grey film forms. | Sulphur from fuel is being deposited on glass, logs or combustion chamber surfaces. | - Clean the glass with a recommended gas appliance glass cleaner. - DO NOT CLEAN GLASS WHEN HOT. - If deposits are not cleaned off regularly, the glass may become permanently marked. |
| Exhaust fumes smelled in room, headaches. | Appliance is spilling. | - Ensure exhaust bracket gasket seal. - Check door seal and relief flap seal. - Check for chimney blockage. - Check that chimney is installed to building code. - Room is in negative pressure; increase fresh air supply. - Check cap gasket on the flue pipe assembly. |
| Remote wall switch is in 'OFF' position; main burner comes on when gas knob is turned to 'ON' position. | Wall switch is mounted upside down. | - Reverse. |
| | Remote wall switch is grounding. | - Replace. |
| | Remote wall switch wire is grounding. | - Check for ground (short); repair ground or replace wire. |
| | Faulty valve. | - Replace. |

42.3_3

11.0 WARRANTY

NAPOLEON® products are manufactured under the strict Standard of the world recognized ISO 9001 : 2008 Quality Assurance Certificate.

NAPOLEON® products are designed with superior components and materials assembled by trained craftsmen who take great pride in their work. The burner and valve assembly are leak and test-fired at a quality test station. The complete appliance is again thoroughly inspected by a qualified technician before packaging to ensure that you, the customer, receives the quality product that you expect from NAPOLEON®.

NAPOLEON® GAS APPLIANCE PRESIDENT'S LIFETIME LIMITED WARRANTY

The following materials and workmanship in your new NAPOLEON® gas appliance are warranted against defects for as long as you own the appliance. This covers: combustion chamber, heat exchanger, stainless steel burner, phazer™ logs and embers, rocks, ceramic glass (thermal breakage only), gold plated parts against tarnishing, porcelainized enameled components and aluminum extrusion trims.*

Electrical (110V and millivolt) components and wearable parts such as blowers, gas valves, thermal switch, switches, wiring, remote controls, ignitor, gasketing, and pilot assembly are covered and NAPOLEON® will provide replacement parts free of charge during the first year of the limited warranty.*

Labour related to warranty repair is covered free of charge during the first year. Repair work, however, requires the prior approval of an authorized company official. Labour costs to the account of NAPOLEON® are based on a predetermined rate schedule and any repair work must be done through an authorized NAPOLEON® dealer.

* Construction of models vary. Warranty applies only to components included with your specific appliance.

CONDITIONS AND LIMITATIONS

NAPOLEON® warrants its products against manufacturing defects to the original purchaser only. Registering your warranty is not necessary. Simply provide your proof of purchase along with the model and serial number to make a warranty claim. NAPOLEON® reserves the right to have its representative inspect any product or part thereof prior to honouring any warranty claim. Provided that the purchase was made through an authorized NAPOLEON® dealer your appliance is subject to the following conditions and limitations:

Warranty coverage begins on the date of original installation.

This factory warranty is non-transferable and may not be extended whatsoever by any of our representatives.

The gas appliance must be installed by a licensed, authorized service technician or contractor. Installation must be done in accordance with the installation instructions included with the product and all local and national building and fire codes.

This limited warranty does not cover damages caused by misuse, lack of maintenance, accident, alterations, abuse or neglect and parts installed from other manufacturers will nullify this warranty.

This limited warranty further does not cover any scratches, dents, corrosion or discoloring caused by excessive heat, abrasive and chemical cleaners nor chipping on porcelain enamel parts, mechanical breakage of PHAZER™ logs and embers.

This warranty extends to the repair or replacement of warranted parts which are defective in material or workmanship provided that the product has been operated in accordance with the operation instructions and under normal conditions.

After the first year, with respect to this President's Lifetime Limited Warranty, NAPOLEON® may, at its discretion, fully discharge all obligations with respect to this warranty by refunding to the original warranted purchaser the wholesale price of any warranted but defective part(s).

NAPOLEON® will not be responsible for installation, labour or any other expenses related to the reinstallation of a warranted part and such expenses are not covered by this warranty.

Notwithstanding any provisions contained in the President's Lifetime Limited Warranty, NAPOLEON'S responsibility under this warranty is defined as above and it shall not in any event extend to any incidental, consequential or indirect damages.

This warranty defines the obligations and liability of NAPOLEON® with respect to the NAPOLEON® gas appliance and any other warranties expressed or implied with respect to this product, its components or accessories are excluded.

NAPOLEON® neither assumes, nor authorizes any third party to assume, on its behalf, any other liabilities with respect to the sale of this product.

NAPOLEON® will not be responsible for: over-firing, downdrafts, spillage caused by environmental conditions such as rooftops, buildings, nearby trees, hills, mountains, inadequate vents or ventilation, excessive venting configurations, insufficient makeup air, or negative air pressures which may or may not be caused by mechanical systems such as exhaust fans, furnaces, clothes dryers, etc.

Any damages to the appliance, combustion chamber, heat exchanger, plated trim or other components due to water, weather damage, long periods of dampness, condensation, damaging chemicals or cleaners will not be the responsibility of NAPOLEON®.

All parts replaced under the President's Limited Lifetime Warranty Policy are subject to a single claim.

During the first 10 years NAPOLEON® will replace or repair the defective parts covered by the lifetime warranty at our discretion free of charge. From 10 years to life, NAPOLEON® will provide replacement parts at 50% of the current retail price.

All parts replaced under the warranty will be covered for a period of 90 days from the date of their installation.

The manufacturer may require that defective parts or products be returned or that digital pictures be provided to support the claim. Returned products are to be shipped prepaid to the manufacturer for investigation. If a product is found to be defective, the manufacturer will repair or replace such defect.

Before shipping your appliance or defective components, your dealer must obtain an authorization number. Any merchandise shipped without authorization will be refused and returned to sender.

Shipping costs are not covered under this warranty.

Additional service fees may apply if you are seeking warranty service from a dealer.

Warranty labour allowance is only for the replacement of the warranted part. Travel, diagnostic tests, shipping and other related charges are not covered by this warranty.

ALL SPECIFICATIONS AND DESIGNS ARE SUBJECT TO CHANGE WITHOUT PRIOR NOTICE DUE TO ON-GOING PRODUCT IMPROVEMENTS. NAPOLEON® IS A REGISTERED TRADEMARK OF WOLF STEEL LTD.

2.1B

| <p>Appliance Service History This heater must be serviced annually depending on usage.</p> | | | | |
|--|-------------|-------------------------|-------------------|------------------|
| Date | Dealer Name | Service Technician Name | Service Performed | Special Concerns |
| | | | | |
| | | | | |
| | | | | |
| | | | | |
| | | | | |
| | | | | |
| | | | | |
| | | | | |
| | | | | |
| | | | | |
| | | | | |
| | | | | |
| | | | | |
| | | | | |
| | | | | |
| | | | | |
| | | | | |
| | | | | |
| | | | | |
| | | | | |
| | | | | |
| | | | | |
| | | | | |
| | | | | |
| | | | | |
| | | | | |
| | | | | |
| | | | | |
| | | | | |
| | | | | |
| | | | | |
| | | | | |
| | | | | |



Other products available from your
Authorized Napoleon® Fireplace Dealer...



Patio Heaters



Fireplace Mantels



HVAC Products



Electric Fireplaces



Outdoor Living Products



Fireplace Accessories

Contact your Authorized Napoleon® dealer or visit napoleonfireplaces.com for more information.



Other products available from your
Authorized Napoleon® Fireplace Dealer...



Patio Heaters



Fireplace Mantels



HVAC Products



Electric Fireplaces



Outdoor Living Products



Fireplace Accessories

Contact your Authorized Napoleon® dealer or visit napoleonfireplaces.com for more information.