

Jøtul F 145 / Jøtul F 145 S

Jøtul F 145
Manual Version P04

NO	- Monterings- og bruksanvisning	7
SE	- Monterings och bruksanvisning	19
FI	- Asennus- ja käyttöohje	31
NL	- Installatie- en montagehandleiding	43
UK	- Installation and operating instructions	55



Jøtul F 145



Jøtul F 145 S



Manualene må oppbevares under hele produktets levetid. Manualen skall sparas under hela produktens levtid. Käyttöohje on säilytettävä tuotteen koko käyttöajan ajan. De bij de haard meegeleverde handleidingen moeten gedurende de volledige gebruiksduur van de haard bewaard blijven. The manuals which are enclosed with the product must be kept throughout the product's entire service life.

Kravelement / Kravelement / Kravelement / Vaaditut tiedot	
Leverandør Leverandør Leverantör Valmistaja	Jøtul AS
Ildstedets modellvarianter Ildstedets modelvarianter Eldstadens modellvarianter Tulisijan mallitunnisteet	Jøtul F 145 Jøtul F 145 S
Energieffektivitets klasse Energieffektivitets klasse Energieffektivitets klass Energiatehokkuusluokka	A+
Nominell varmeytelse Nominel varmeydelse Nominell värmeavgivning Nimellislämpöteho	4,0 kW
Energieffektivitets indeks Energieffektivitets indeks Energieffektivitetsindex Energiatehokkuusindeksi	102,7
Virkningsgrad ved nominell ytelse Virkningsgrad ved nominel varmeavgivelse Verkningsgrad vid nominell värmeavgivning Hyötysuhde nimellislämpöteholla	77 %
<p>Særskilte forholdsregler når ovnen monteres, installeres eller vedlikeholdes.</p> <p>Særlige forholdsregler, der skal træffes, når ovnen samles, monteres eller vedligeholdes.</p> <p>Särskilda förhållningsregler när kaminen skall monteras, installeras och underhållas.</p> <p>Erityiset säännöt tulisijan pystytystä, asentamista tai huoltoa koskien.</p>	<p>For branntekniske forhold som oppstillingsvilkår og nasjonale regler; <i>se monterings- og bruksanvisningen.</i></p> <p>Brandtekniske forhold som oppstillingsvilkår samt nationale regler. <i>Se monterings- og bruksanvisning.</i></p> <p>Brandtekniska förhållanden som uppställningsvillkor och nationella regler. <i>Se monterings- och bruksanvisning.</i></p> <p>Palotekniset vaatimukset, kuten tulisijan sijoittamista koskevat vaatimukset ja kansalliset määräykset käyvät ilmi asennusohjeesta. <i>Lue tuotteen asennusohjeet.</i></p>



Kravelement / Kravelement / Kravelement / Vaaditut tiedot	
Leverandør Leverandør Leverantör Valmistaja	Jøtul AS
Ildstedets modellvarianter Ildstedets modelvarianter Eldstadens modellvarianter Tulisijan mallitunnisteet	Jøtul F 145 Jøtul F 145 S
Energieffektivitets klasse Energieffektivitets klasse Energieffektivitets klass Energiatohokkuusluokka	A+
Nominell varmeytelse Nominel varmeydelse Nominell värmeavgivning Nimellislämpöteho	4,0 kW
Energieffektivitets indeks Energieffektivitets indeks Energieffektivitetsindex Energiatohokkuusindeksi	102,7
Virkningsgrad ved nominell ytelse Virkningsgrad ved nominel varmeafgivelse Verkningsgrad vid nominell värmeavgivning Hyötysuhde nimellislämpöteholla	77 %
<p>Særskilte forholdsregler når ovnen monteres, installeres eller vedlikeholdes.</p> <p>Særlige forholdsregler, der skal træffes, når ovnen samles, monteres eller vedligeholdes.</p> <p>Särskilda förhållningsregler när kaminen skall monteras, installeras och underhållas.</p> <p>Eriyiset säännöt tulisijan pystytystä, asentamista tai huoltoa koskien.</p>	<p>For branntekniske forhold som oppstillingsvilkår og nasjonale regler; <i>se monterings- og bruksanvisningen.</i></p> <p>Brandtekniske forhold som oppstillingsvilkår samt nationale regler. <i>Se monterings- og bruksanvisning.</i></p> <p>Brandtekniska förhållanden som uppställningsvillkor och nationella regler. <i>Se monterings- och bruksanvisning.</i></p> <p>Palotekniset vaatimukset, kuten tulisijan sijoittamista koskevat vaatimukset ja kansalliset määräykset käyvät ilmi asennusohjeesta. <i>Lue tuotteen asennusohjeet.</i></p>

Table of contents

Installation manual with technical data

- 1.0 Relationship to the authorities55
- 2.0 Technical data55
- 3.0 Safety59
- 4.0 Installation59
- 5.0 Daily use64
- 6.0 Service65
- 7.0 Maintenance.....66
- 8.0 Operational problemes - troubleshooting.....67
- 9.0 Optional Equipment / Delivery units67
- 10.0 Guarantee terms68

Register your fireplace at jotul.com for a 25-year warranty.

Product: Jøtul Room heater fired by solid fuel				
Standard Minimum distance to adjacent combustible materials: Minimum distance to adjacent non-combustible materials: Emission of CO in combustion products: Flue gas temperature Nominal heat output Efficiency Operation range Fuel type Operational type The appliance can be used in a shared flue.				
Country	Classification	Certification/standard	Approved by	
Norway	Klasse II			
Sweden	nr.	SP	SP Sveriges Provnings- och forskningsinstitut AB	
EUR	Intermittent	EN	SP Swedish National Testing and Research Institute	
Follow user's instructions. Use only recommended fuels. Montage- und Bedienungsanleitung beachten. Verwenden Sie nur empfohlenen Brennstoffen. Respecter les consignes d'utilisation. Utilisez uniquement les combustibles recommandés.				
Serial no. Y-xxxx. Year: 200x				
Manufacturer: Jøtul AS POB 1441 N-1622 Fredrikstad Norway				221546

On all our products there is a label indicating the serial number and year. Write this number in the place indicated in the installation instructions.

Always quote this serial number when contacting your retailer or Jøtul.

Serial no.

1.0 Relationship to the authorities

Installation of a fireplace must be according to local codes and regulations in each country.

All local regulations, including those that refer to national and European standards, shall be complied with when installing the product.

Before use read the Installation and Operating Instructions carefully. We recommend that the installed product be inspected by a qualified professional before use.

A heat-resistant rating plate is attached to the rear of the heat shield. This contains information about identification and documentation for the product.

2.0 Technical data

Material:	Cast iron
Finish:	Black paint
Fuel:	Wood
Log length, max.:	30 cm
Flue outlet:	Top, rear
Flue pipe dimension:	Ext: Ø 125 mm / Ø130 mm

Weight with convection panels:	Approx. 94 kg
Weight with soapstone panels:	Approx. 178 kg
Dimensions, distances:	See fig. 1

Technical data according to EN 13240:

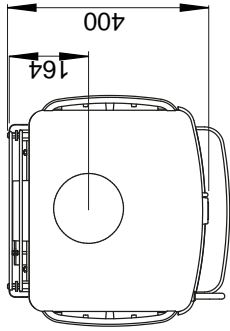
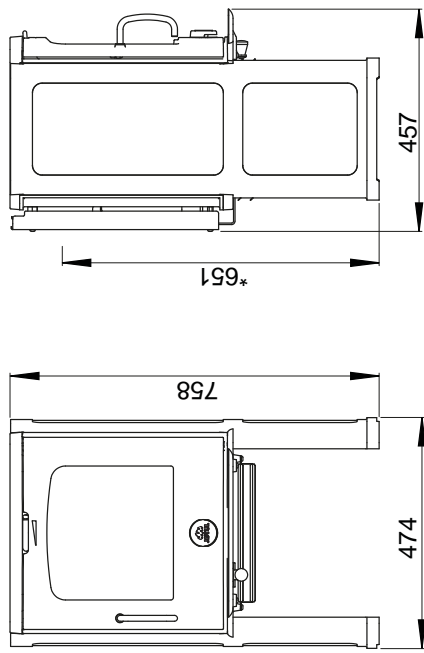
Nominal heat output:	4 kW
Efficiency:	77%
Recommended chimney draught:	13 Pa
CO emission (13% O ₂):	0.09%
CO emission (13% O ₂):	1178 mg/Nm ³
chimney temperature:	269 °C
Operational type:	Intermittent

Intermittent combustion in this context means normal use of the fireplace, i.e. fuel is added as soon as the fuel has burnt down to a suitable amount of embers.

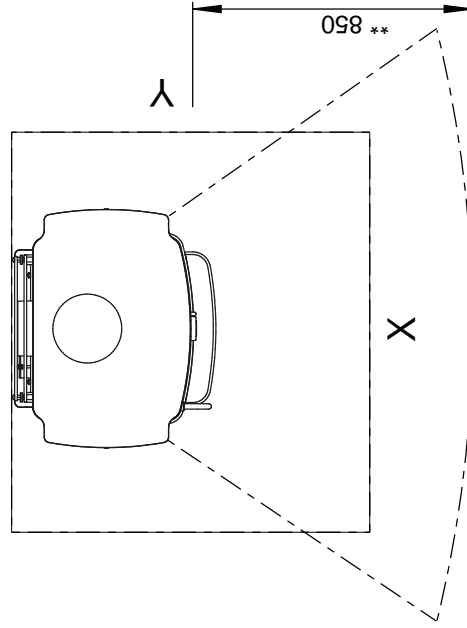
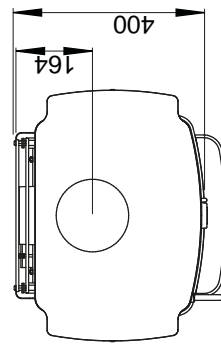
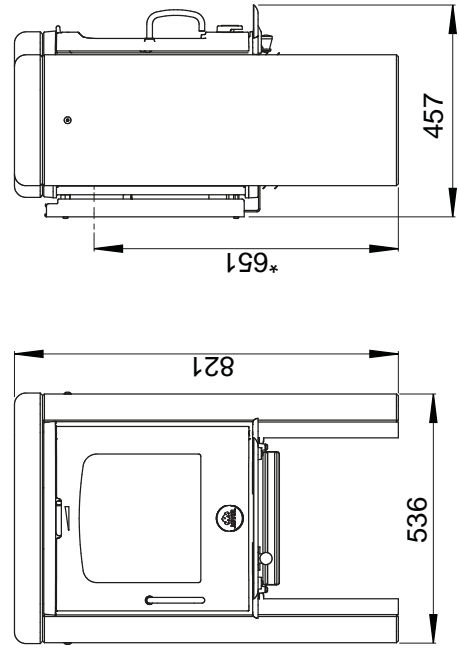
Jøtul F 145 / Jøtul F 145 S

Fig 1a

Jøtul F 145 (Convection model)



Jøtul F 145 S (Soapstone model)



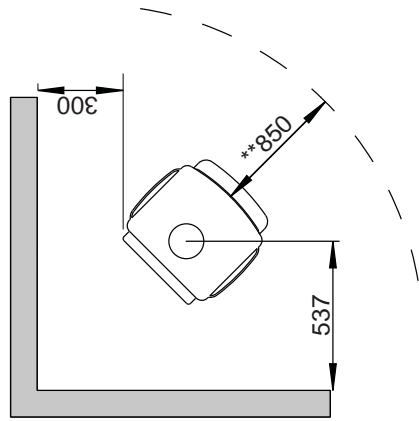
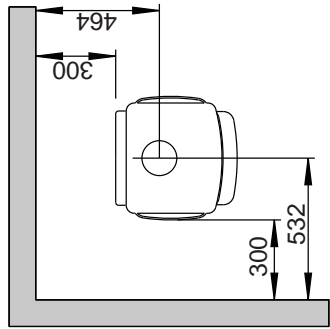
Min. measurements floor plate
X/Y = according to national laws
and regulations

- * Center rear smoke outlet
- ** Minimum distance to furniture / combustible material

Minimum distance to combustible wall

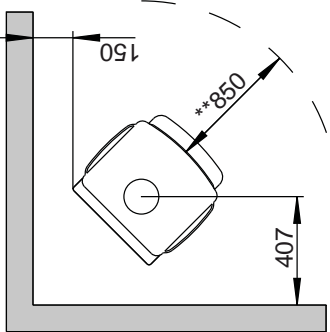
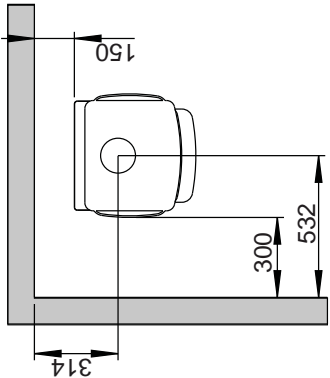
Fig 1b

Jøtul F 145

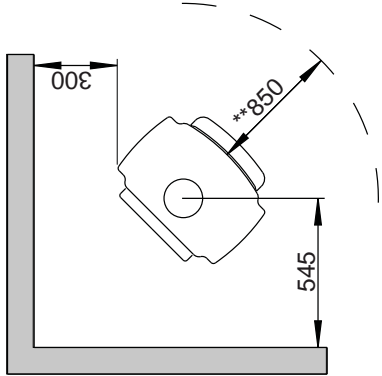
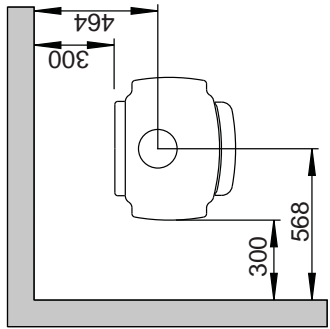


Jøtul F 145

Inclusive rear optional convection shield (part. no. 50013025)

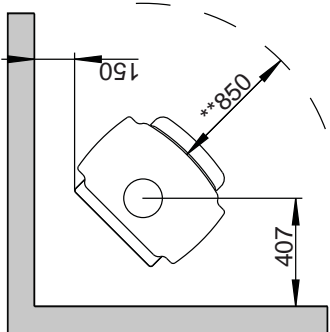
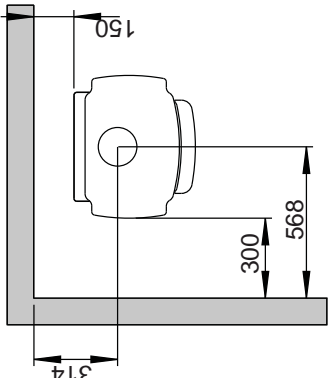


Jøtul F 145 S



Jøtul F 145 S

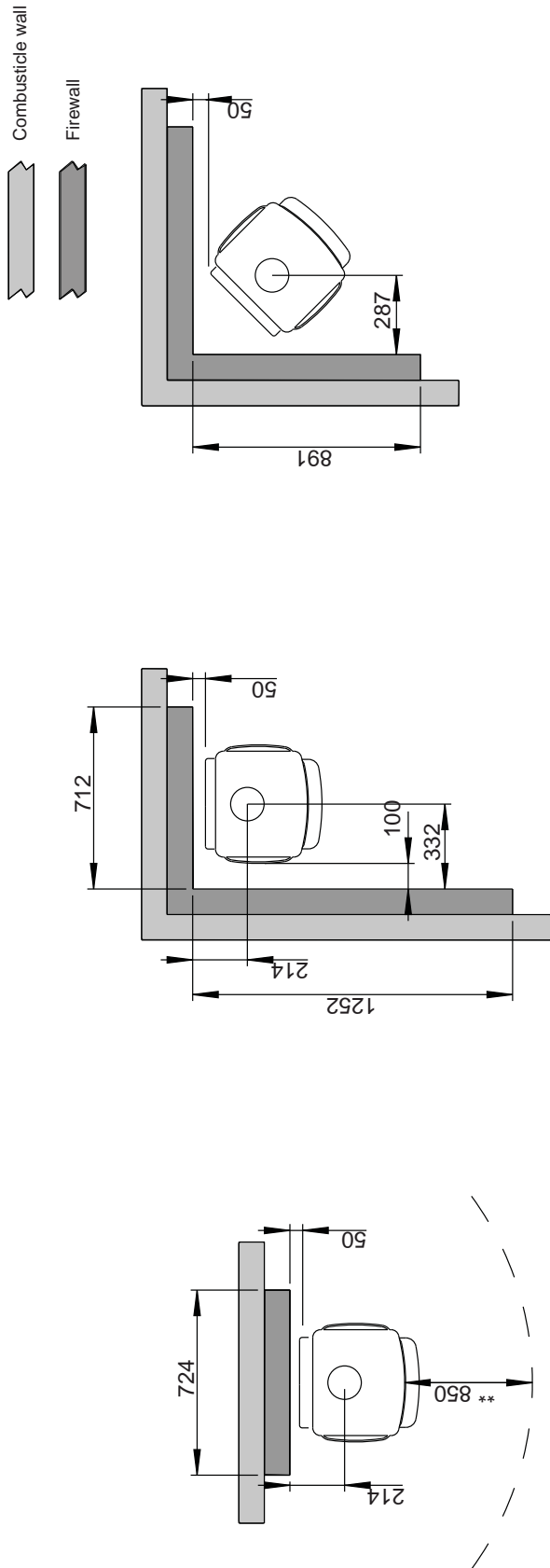
Inclusive rear optional convection shield (part. no. 50013027)



Minimum distance to incumbent firewall

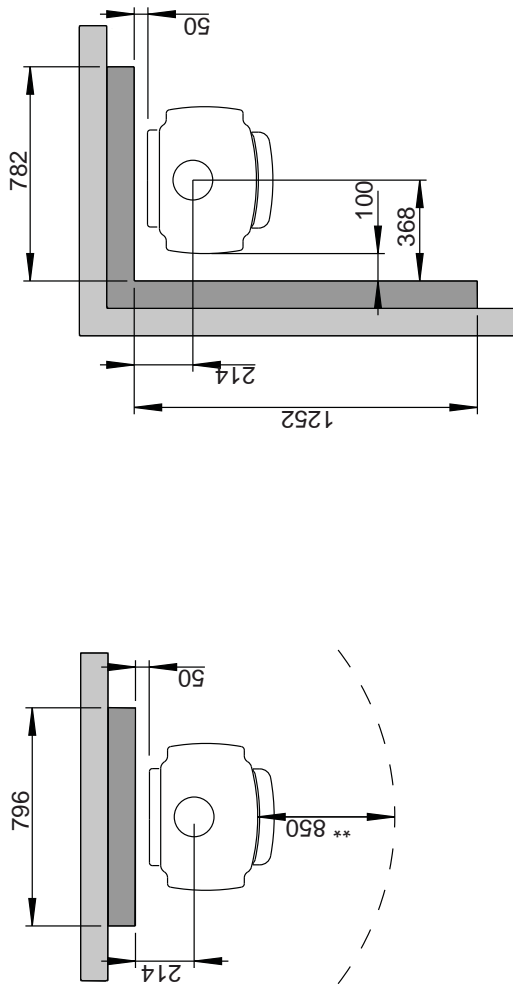
Fig 1c

Jøtul F 145



All dimensions are with semi-insulated / shielded flue pipe all the way down to the product

Jøtul F 145 S



All dimensions are with semi-insulated / shielded flue pipe all the way down to the product

900207-P01

3.0 Safety

NB! We recommend that installation be carried out by a qualified installer, to ensure that the product delivers maximum performance and safety.

Any modifications to the product by the distributor, installer or consumer may result in the product and safety features not functioning as intended. The same applies to the installation of accessories or optional extras that are not supplied by the fireplace manufacturer. This may also be the case if parts that are essential to the functioning and safety of the fireplace have been disassembled or removed. In all these cases, the manufacturer is not responsible or liable for the product and the warranty shall become null and void.

The Clean Air Act

“The Clean Air Act 1993 and Smoke Control Areas”

Under the Clean Air Act local authorities may declare the whole or part of the district of the authority to be a smoke control area. It is an offence to emit smoke from a chimney of a building, from a furnace or from any fixed boiler if located in a designated smoke control area.

It is also an offence to acquire an “unauthorised fuel” for use within a smoke control area unless it is used in an “exempt” appliance (“exempted” from the controls which generally apply in the smoke control area).

In England appliances are exempted by publication on a list by the Secretary of State in accordance with changes made to sections 20 and 21 of the Clean Air Act 1993 by section 15 of the Deregulation Act 2015. Similarly in Scotland appliances are exempted by publication on a list by Scottish Ministers under section 50 of the Regulatory Reform (Scotland) Act 2014.

In Northern Ireland appliances are exempted by publication on a list by the Department of Agriculture, Environment and Rural Affairs under Section 16 of the Environmental Better regulation Act (Northern Ireland) 2016.

In Wales appliances are exempted by regulations made by Welsh Ministers.

Further information on the requirements of the Clean Air Act can be found here:

<https://www.gov.uk/smoke-control-area-rules>.

Your local authority is responsible for implementing the Clean Air Act 1993 including designation and supervision of smoke control areas and you can contact them for details of Clean Air Act requirements.

The Jøtul F145 and F145 S have been recommended as suitable for use in smoke control areas when burning wood logs and with a modification to prevent closure of the secondary air control beyond 20 mm open.

3.1 Fire Prevention Measures

There is a certain element of danger every time you use your fireplace. The following instructions must therefore be followed:

The minimum safety distances when installing and using the fireplace are given in **fig. 1**.

- Ensure that furniture and other flammable materials are not too close to the fireplace. Flammable materials should not be placed within 850mm of the fireplace.
- Allow the fire to burn out. Never extinguish the flames with water.
- The fireplace becomes hot when lit and may cause burns if touched.
- Only remove ash when the fireplace is cold. Ash can contain hot embers and should therefore be placed in a non-flammable container.
- Ash should be placed outdoors or be emptied in a place where it will not present a potential fire hazard.

In case of chimney fire:

- Close all hatches and vents.
- Keep the firebox door closed.
- Check the loft and cellar for smoke.
- Call the fire service.
- Before use after a fire an expert must check the fireplace and the chimney in order to ensure that it is fully functional.

4.0 Installation

N.B. Check that the fireplace is free of any damage prior to commencing installation.

The product is heavy! Make sure you have assistance when erecting and installing the fireplace.

4.1 Floor

Foundation

You need to make sure the foundation is suitable for a fireplace. See “**2.0 Technical Data**” for specified weight.

Combustible floor protection

If the fireplace is to be mounted on a combustible floor, cover the floor under and in front of the fireplace with a plate made of metal or other non-combustible material. The recommended minimum thickness is 0,9 mm.

Jøtul recommends that any flooring made of combustible material, such as linoleum, carpets, etc. should be removed from under the floor plate.

Contact your local building authorities regarding restrictions and installation requirements.

ENGLISH

Requirement for protecting combustible flooring in front of fireplace

The front plate must be in accordance with national laws and regulations.

Contact your local building authorities regarding restrictions and installation requirements.

4.2 Wall

Minimum distance to combustible wall

For distance to combustible wall see **Fig. 1b**.

Minimum distance to incumbent firewall

For distance to incumbent firewall see **Fig. 1c**.

Firewall requirement

The firewall must be at least 100 mm thick and be made of brick, concrete-stone or light concrete. Other materials and constructions with satisfactory documentation may also be used.

4.3 Chimneys and flue pipes

The fireplace can be connected to a chimney and flue pipe approved for solid fuel fired appliances with flue gas temperatures specified in «**2.0 Technical data**».

- The chimney's cross-section must be at least as big as the flue pipe's cross-section. See «**2.0 Technical data**» when calculating the correct chimney cross-section.
- Connection to the chimney must be carried out in accordance with the installation instructions from the supplier of the chimney.
- Installation of several solid fuel fired appliances on a shared flue is not allowed in UK.
- Before making a hole in the chimney the fireplace should be test-mounted in order to correctly mark the position of the fireplace and the hole in the chimney. See **fig. 1** for minimum dimensions.
- Ensure that the flue pipe is inclined all the way up to the chimney.
- Use a flue pipe bend with a sweeping hatch that allows it to be swept.

Be aware of the fact that it is particularly important that connections have a certain flexibility in order to prevent movement in the installation leading to cracks.

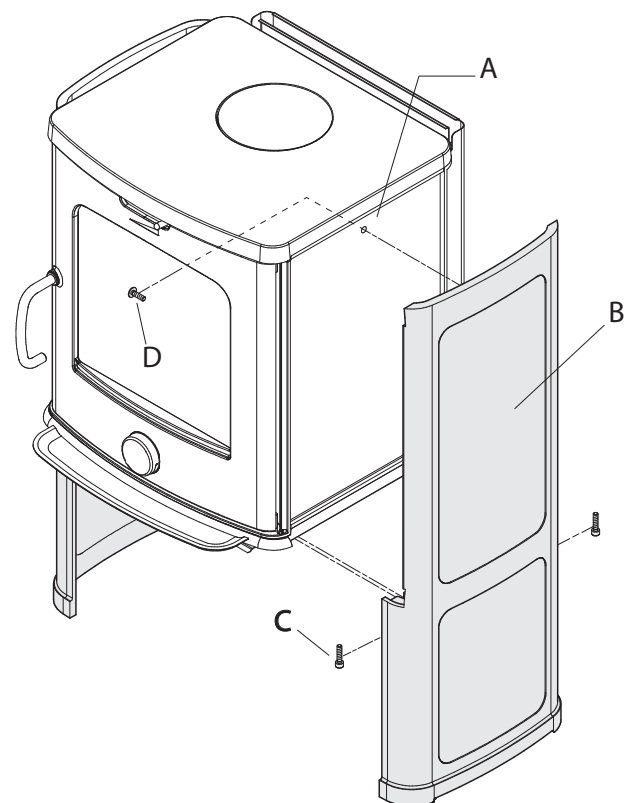
Chimney draught; See «**2.0 Technical data**». If the draught is too strong you can install and operate a flue damper to control the draught.

4.4 Assembly prior to installation

- See «9.2 Delivery units» for total of packages.
- Remove the product from the packaging and check for visible damage and that the control handles work. Lift the ash lip, plastic bag containing screws, smoke outlets and the glove out of the burn chamber.
- **IMPORTANT!**: A sheet of foam plastic is placed between the baffle and the exhaust deflector for protection during transport. Be sure to remove this before using the fireplace for the first time.

4.5 Fitting the convection panels

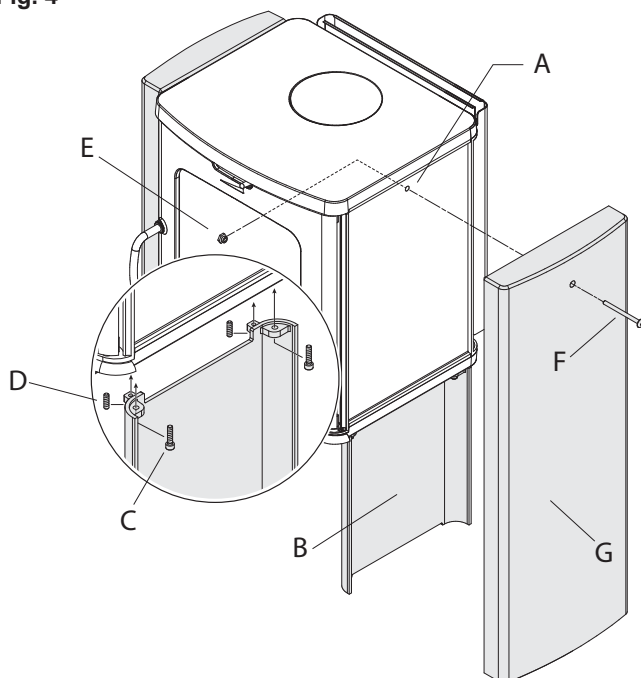
Fig. 3



1. Lay the stove carefully on its back
2. Remove the baffle and exhaust deflector according to **fig. 6** and **Fig. 7**.
3. Remove the screw and nut placed in the hole on the sides (**fig. 3A**).
4. Fit the convection panels (**fig. 3B**) using the screws provided (**fig. 3C** and **fig. 3D**).
5. Place the stove upright.

4.6 Fitting the soapstone panels

Fig. 4



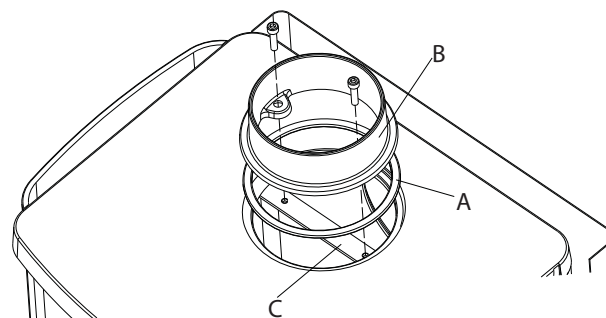
1. Lay the stove carefully on its back
2. Remove the baffle and exhaust deflector according to **fig. 6 and fig. 7**.
3. Remove the screw and nut placed in the hole on the side (**fig. 4A**).
4. Assemble the legs (**fig. 4B**) using the screws provided (**fig. 4C and fig. 4D**).
5. Place the stove upright. If the rear smoke outlet is used, connect the stove to the chimney before soapstone sides are mounted (**fig. 6 - 11**).
6. Fit the soap stone panels (**fig. 4G**) using the nuts and screws provided (**fig. 4E and fig. 4F**).
7. Attach the loose smoke outlet (**fig. 5**), and place the soap stone top.

4.7 Smoke outlet

The product has been prepared for a top outlet by the manufacturer.

Fitting a smoke outlet with a top outlet

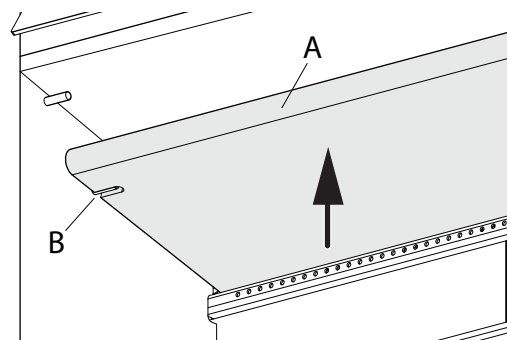
Fig. 5



1. Place the provided gasket (**fig 5A**) to the smoke outlet. There are two loose smoke outlets with the stove $\text{\O}125\text{mm}$ and $\text{\O}130\text{mm}$.
2. Attach the loose smoke outlet (**fig. 5B**) to the stove top using the bracket (**fig. 5C**) and the screws provided.

Fitting a smoke outlet onto rear outlet on stove

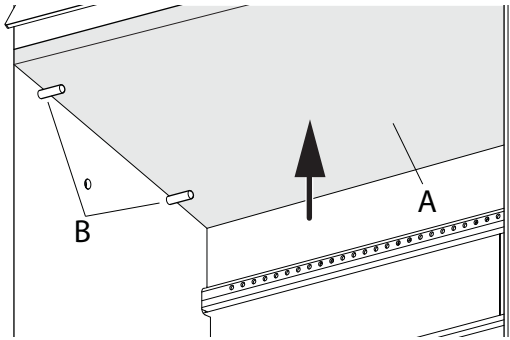
Fig. 6



1. Lift the baffle (**fig. 6A**) up carefully.
2. Remove the pins (**fig. 6B**).
3. Ease the baffle out.

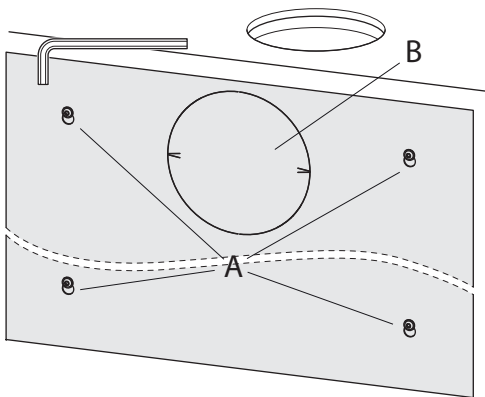
ENGLISH

Fig. 7



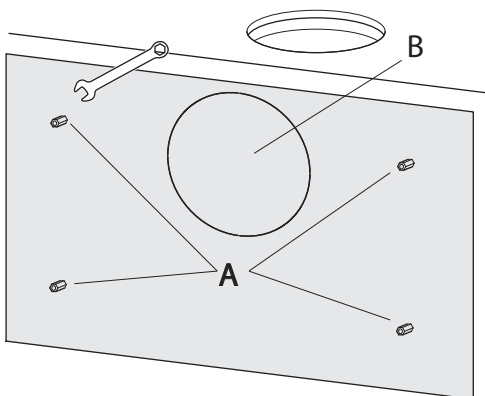
1. Lift the exhaust deflector (**fig. 7A**) up carefully.
2. Remove the pins (**fig. 7B**).
3. Ease the exhaust deflector out.

Fig. 8



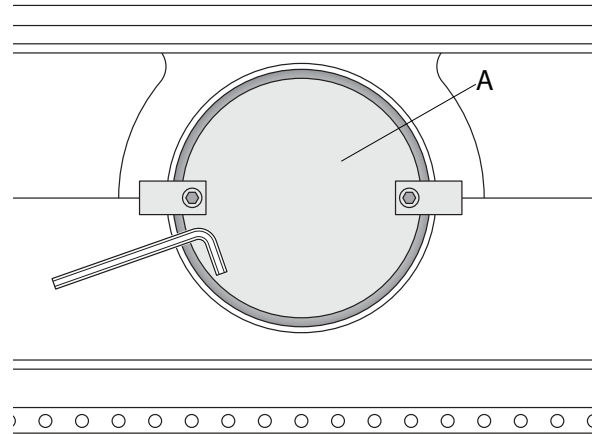
1. Unscrew the outer heat shield (**fig. 8A**).
2. Remove the knockout (**fig. 8B**).

Fig. 9



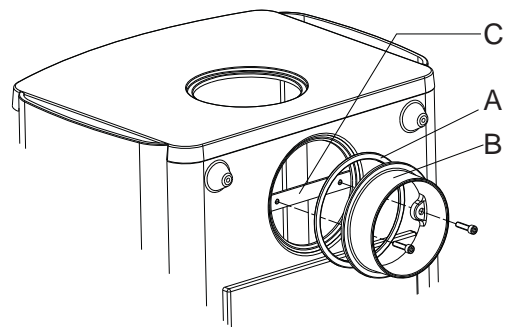
1. Unscrew the inner heat shield (**fig. 9A**).
2. Remove the knockout (**fig. 9B**).

Fig. 10



1. Remove the cast iron cover (**fig. 10A**) from inside the burn chamber.
2. Fit the cast iron cover in the top outlet hole using the same parts.

Fig. 11

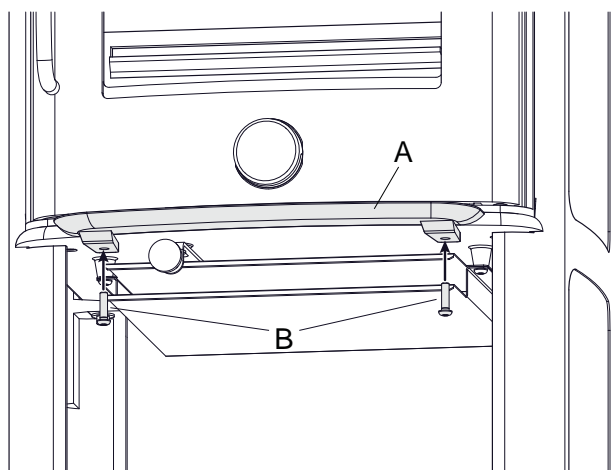


1. Place the provided gasket (**fig 11A**) to the smoke outlet. There are two loose smoke outlets with the stove $\text{Ø}125\text{mm}$ and $\text{Ø}130\text{mm}$.
2. Attach the loose smoke outlet (**fig. 11B**) to the outlet using the bracket (**fig. 11C**) and the screws provided.

For re-installation follow the same procedure in the opposite sequence.

4.8 Fitting the ash lip

Fig. 12

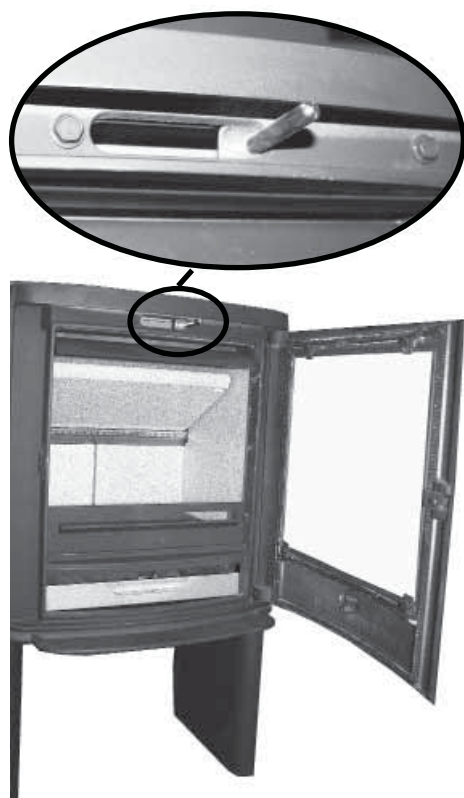


1. Secure the ash lip in place (**fig. 12A**) using the screws provided (**fig. 12B**).

4.9 Handle

If you want a firm handle, you can mount the screw (M5x20mm) that you will find in the service bag. The vertical position of the handle can be adjusted by turning the set screw on the locking device.

4.10 Equipping the Jøtul F 145 for use in UK smoke controlled areas



- Above the door opening there are 2 bolts, one either side of the secondary air inlet.



1. Remove the left hand bolt.



2. Position the adaptor plate against the front casting, aligning the centre hole with the threaded bolt-hole.



3. Ensure that the secondary air slide is free and able to be operated.

ENGLISH

5.0 Daily use

Odours when using the fireplace for the first time

When the fireplace is used for the first time, it may emit an irritating gas which may smell slightly. This is because the paint is drying. The gas is not toxic but the room should be thoroughly ventilated. Let the fire burn with a high draught until all traces of the gas have disappeared and no smoke or odours can be detected.

5.1 Operation

Heating advice

NB: Logs that have been stored outdoors or in a cold room should be brought indoors 24 hours before use to bring them up to room temperature.

There are various ways of heating the stove but it is always important to be careful about what you put in the stove. See the section on "Wood quality".

Wood quality

By good quality firewood we mean logs of, for example, birch, beech and oak.

The logs should be dried so that the moisture content is no more than 20%.

To achieve this, the logs should be cut no later than in late winter. They should be split and stacked in a way that ensures good ventilation. The wood stacks should be covered to protect the logs from rain. The logs should be brought indoors during early autumn and stacked/stored for use in the coming winter.

Be especially careful never to use the following materials as fuel in your fireplace:

- Household rubbish, plastic bags, etc.
- Painted or impregnated timber (which is extremely toxic).
- Laminated wooden planks.
- Driftwood
- These may harm the stove and are also pollutants.

NB: Never use petrol, paraffin, methylated spirit or similar liquids to light the fire. You may cause serious injury to yourself and damage to the product.

5.2 Lighting the fire

Wood consumption:

Kindling (finely split wood):

Length: approx. 30 cm

Diameter: 2-5 cm

Quantity required each time: 6 - 8 pieces

Wood (split wood):

Recommended length: 20 - 30 cm

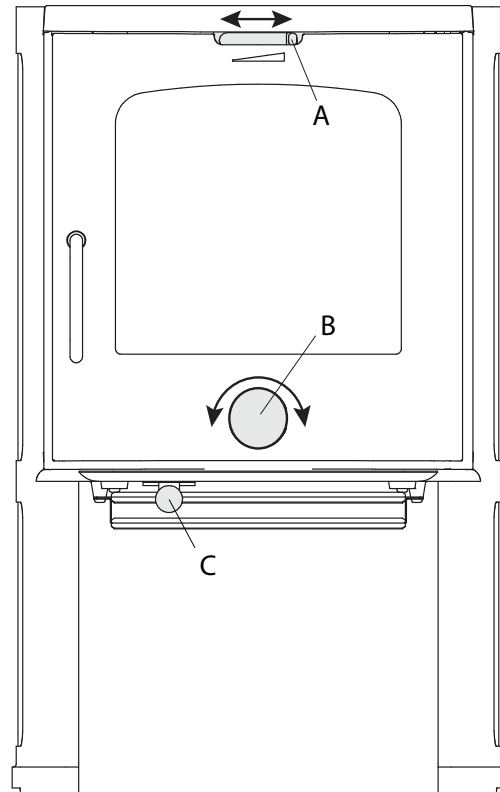
Diameter: Approx. 8 cm

Fire size: 1.8 kg

Quantity required each time: 2 pieces

1. Place two logs across the bottom of the burn chamber.
2. Stack split wood on top of the logs in crossed layers.
3. Place briquettes between the split wood and light them.

Fig. 15



4. Open the ignition (**fig. 15B**) and air vent (**fig. 15A**) fully until the wood has caught fire properly and is burning well.
5. Check that afterburning (secondary combustion) starts. This is best indicated by yellow, flickering flames in front of the holes under the baffle.
6. Close the ignition vent and regulate the air vent as required.
7. The ash pan must always be closed when the fire is lit.
8. The ash grate (**fig. 15C**) should be half-open when the fire is lit.

Adding firewood

- Stoke the stove frequently but only add small amounts of fuel at a time. If the stove is filled too full, the heat created may cause extreme stress in the chimney.
- Add fuel to the fire in moderation.
- Avoid smouldering fires as this produces the most pollution. The fire is best when it is burning well and the smoke from the chimney is almost invisible.
- Refuelling on to a low fire bed - If there is insufficient burning material in the firebed to light a new fuel charge, excessive smoke emission can occur. Refuelling must be carried out onto a sufficient quantity of glowing embers and ash that the new fuel charge will ignite in a reasonable period. If there are too few embers in the fire bed, add suitable kindling to prevent excessive smoke.
- Fuel overloading - The maximum amount of fuel specified in this manual should not be exceeded, overloading can cause excess smoke.
- Operation with door left open - Operation with the door open can cause excess smoke. The appliance must not be operated with the appliance door left open except as directed in the instructions.
- Dampers left open - Operation with the air controls or appliance dampers open can cause excess smoke. The appliance must not be operated with air controls, appliance dampers or door left open except as directed in the instructions.

5.3 Danger of overheating

The fireplace must never be used in a manner that causes overheating

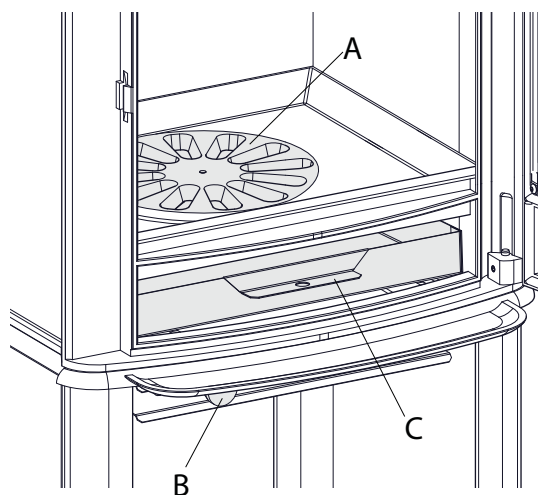
Overheating occurs when there is too much fuel and/or too much air so that too much heat develops. A sure sign of overheating is when parts of the stove glow red. If this happens, reduce the air vent opening immediately.

Seek professional advice if you suspect that the current of air in the chimney is incorrect (too much/too little draught). (For further information, see "Chimney and flue pipe" under 4.0 Installation).

5.4 Ash removal

This product has an ash pan that makes it easy to remove the ash.

Fig.16



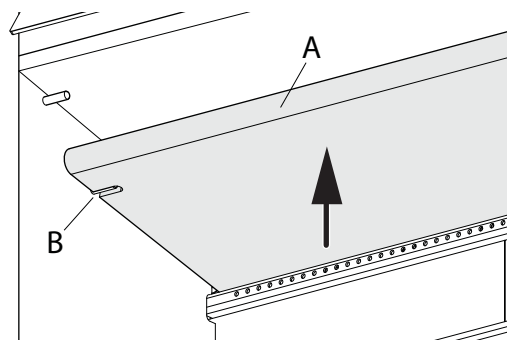
- The product is fitted with an ash grate (fig. 16A). Activate the handle (fig. 16B) to empty ash out of the burn chamber into the ash pan (fig. 16C).
- Important! Never empty ash into a flammable container. There may still be embers in the ash long after the fire has gone out.
- Make sure that the ash pan (fig. 14C) never gets so full that it prevents the ash from falling through the ash grate and down into the pan.

6.0 Service

Warning! Any unauthorised changes to the product is not allowed! Only original spare parts may be used!

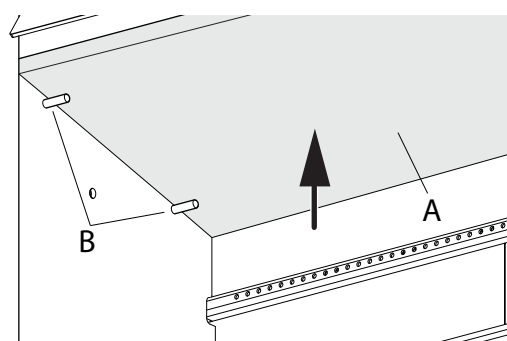
6.1 Replacing the baffle/deflectors

Fig. 17



1. Lift the baffle (fig. 17A) up carefully.
2. Remove the pins (fig. 17B).
3. Ease the baffle out.

Fig. 18

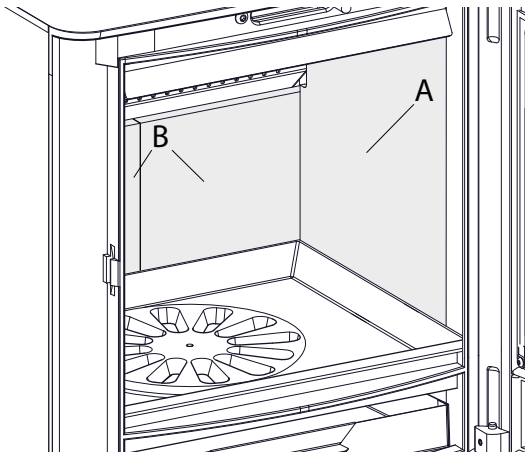


1. Lift the exhaust deflector (fig. 18A) up carefully.
2. Remove the pins (fig. 18B).
3. Ease the exhaust deflector out.

ENGLISH

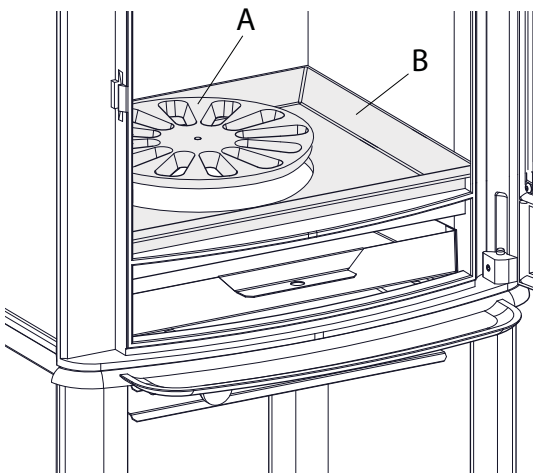
6.2 Replacing the burn plates/inner bottom

Fig. 19



1. Take out the baffle/exhaust deflector (see 6.1 - Replacing the baffle/exhaust deflectors)
2. Take out the side burn plates (Fig. 19A).
3. Take out the rear burn plates (Fig. 19B).

Fig. 20



4. Lift out the ash grate (Fig. 20A) and inner bottom plate (Fig. 20B).
5. When refitting, follow the same procedure in reverse order.

7.0 Maintenance

7.1 Cleaning and soot removal

Soot deposits may build up on the internal surfaces of the fireplace during use. Soot is a good insulator and will therefore reduce the fireplace's heat output. If soot deposits accumulate when using the product, they can easily be removed by using a soot remover.

In order to prevent a layer of water and tar from forming in the fireplace, you should regularly allow the fire to burn hot in order to remove the layer. Your product should be cleaned internally once a year to ensure the best heating effect. It is a good idea to do this when cleaning the chimney and flue pipes.

7.2 Sweeping the flue pipe to the chimney

Flue pipes must be swept through the flue pipe sweeping hatch or through the door opening. The baffle and exhaust deflectors must be removed first.

7.3 Cleaning the glass

The product is equipped with an air wash for the glass. Air is sucked in through the air vent on the top of the product and down along the inside of the glass.

However, some soot will always stick to the glass, but the quantity will depend on the local draught conditions and adjustment of the air vent. Most of the soot layer will normally be burned off when the air vent is opened all the way and a fire is burning briskly in the fireplace.

Good advice! For normal cleaning, moisten a paper towel with warm water and add some ash from the burn chamber. Rub it over the glass and then clean the glass with clean water. Dry well. If it is necessary to clean the glass more thoroughly we recommend using a glass cleaner (follow the instructions on the bottle).

7.4 Inspection of the fireplace

We recommend that you carefully inspect your fireplace yourself after it has been swept/cleaned. Check all visible surfaces for cracks. Also check that all joints are sealed and that the gaskets are in the correct position. Any gaskets showing signs of wear or deformation must be replaced.

Thoroughly clean the gasket grooves, apply ceramic glue (available from your local Scan dealer) and press the gasket well into place. The joint will dry quickly.

7.5 Exterior maintenance

Painted products may change colour after they have been used for several years. The surface should be cleaned and brushed free of any loose particles before new paint is applied.

8.0 Operational problems - troubleshooting

Poor draught

- Check that the length of the chimney complies with national legislation and regulatory requirements. (For further information, see **2.0 Technical Data** and **4.0 Installation (Chimney and flue pipe)**.)
- Check that the minimum cross section of the chimney is in accordance with the specification in **2.0 Technical Data**.
- Make sure that there is nothing preventing the smoke from escaping: branches, trees, etc.
- Seek professional advice and help if you suspect that the chimney is not drawing properly (too much/too little draught).

The fire dies out after a while

- Make sure that the fuel is dry enough.
- Check whether there is negative pressure in the house. Turn off fans and open a window close to the stove.
- Make sure the air vent is open.
- Make sure the smoke outlet is not clogged with soot.

If there is excessive soot on the glass

There will always be some soot on the glass, but the amount depends on:

- How dry the fuel is.
- The local draught conditions.
- Adjustment of the air vent.

Most of the soot layer will normally be burned off when the air vent is fully opened and the fire is burning briskly.

9.0 Optional extras/ Delivery units

9.1 Optional rear convection shield

Jøtul F 145 (Convection model): cat. no. 50013025
Jøtul F 145 S (Soapstone model): cat. no. 50013027

9.2 Delivery units

Jøtul F 145 (Convection model)

Burn chamber: cat. no. 30050663
Convection sides: cat.no. 51012298

Jøtul F 145 S (Soapstone model) - top smoke outlet

Burn chamber: cat. no. 30050663
Legs for Soapstone: cat.no. 51012299
Soapstone sides: cat.no. 50013022
Soapstone top with hole
for smoke outlet: cat.no. 50013023

Jøtul F 145 S (Soapstone model) - rear smoke outlet

Burn chamber: cat. no. 30050663
Legs for Soapstone: cat.no. 51012299
Soapstone sides: cat.no. 50013022
Soapstone top without hole: cat.no. 50013024

10.0 Guarantee terms

1. Our guarantee covers:

Jøtul AS guarantees that the external cast-iron parts are free from defects in materials or manufacturing at the time of purchase. You may extend the guarantee on the external cast-iron parts to 25 years from the date of delivery by registering the product on jotul.com, and print out the extended guarantee card within three months of purchase. We recommend that the guarantee card be kept together with the receipt. Jøtul AS also guarantees that steel plate parts are free from defects in materials or manufacturing at the time of purchase for a period of 5 years from the date of delivery.

The guarantee applies on the condition that the stove has been installed by a qualified installer in accordance with applicable laws and regulations and Jøtul's installation and operating instructions. Repaired products and replacement items are guaranteed within the original guarantee period.

2. The guarantee does not cover:

- 2.1. Damage to consumables such as burn plates, fire grates, flue baffles, gaskets and similar as these deteriorate over time due to normal wear and tear.
- 2.2. Damage caused as a result of improper maintenance, overheating, use of unsuitable fuel (e.g. of unsuitable fuel are, but not limited to driftwood, impregnated wood, plank offcuts, chipboard) or too moist / wet wood.
- 2.3. Installation of optional extras for the purpose of rectifying local draught conditions, air supply or other circumstances beyond Jøtul's control.
- 2.4. Cases involving alterations / modifications to the fireplace without Jøtul's consent or the use of non-original parts.
- 2.5. Damage caused during storage at a distributor, transport from a distributor or during installation.
- 2.6. Products sold by unauthorized sellers in areas where Jøtul operates a selective distribution system.
- 2.7. Associated cost (e.g. but not limited to, transport, manpower, travel) or indirect damages.

Pellets stoves, glass, stone, concrete, enamel and paint finish (e.g. but not limited to chipping, cracking, bubbling or discolouration and crazing) are applicable to the national legislation governing the sale of consumer goods. This guarantee is valid for purchases made within the territory of the European Economic Area. All guarantee inquiries must be addressed to your local authorized Jøtul dealer within a reasonable amount of time, which shall not be later than 14 days from the date on which the fault or defect first became apparent. See list of importers and dealers on our web site www.jotul.com.

If Jøtul is unable to meet the obligations outlined in the above guarantee terms, Jøtul will offer a replacement product with a similar heating capacity free of charge.

Jøtul reserve the right to decline of any replacement of parts or service in the event that the guarantee is not registered online. This guarantee does not affect any rights under applicable national legislation governing the sale of consumer goods. The national complaint right applies from the purchase date and only in exchange for a receipt / serial number.

Sluttkontroll av ildsteder

Quality control of stoves and fireplaces

Checked

Utført	Kontrollpunkt	Controlled item
✓	Alle deler er med i produktet (ifølge struktur).	All parts are included.
✓	Alle festemidler er av korrekt type, og er korrekt anvendt.	Correct fastener items have been used and correctly applied.
✓	Overflater er i samsvar med Jøtuls kvalitetsstandarder.	Surfaces comply with Jøtul workmanship standards.
✓	Lukkemekanismer fungerer som de skal, og uten behov for unødig stor kraft.	Door locking mechanisms function correctly; excessive force is not needed.
✓	Produktet/serien møter kravet for lekkasjetest.	The product/lot complies with the leakage test requirement.
✓	Lakkerte/emaljerte overflater møter kravene i Jøtuls kvalitetsstandarder.	Paint/enamel surface finish complies with Jøtul workmanship standards.
✓	Produktet er fritt for utvendig kitt- eller limklin.	Surfaces are not contaminated by external stove cement or glue.
✓	Produktet har ingen sprekker i glass, støpejern eller andre deler.	There are no cracks in glass, cast iron or other parts.
✓	Pakninger er riktig lagt, og skjemmer ikke produktet ved stygge ender eller ved at pakningen er unødig synlig.	Gaskets are correctly applied and do not degrade product appearance (i.e. loose ends or excessive visible exposure).
✓	Dørpakninger er godt limt.	Door gaskets are firmly glued/fixed to the door.
✓	Dørpakninger har tilfredsstillende pakningstrykk.	Door gaskets provide satisfactory sealing.
✓	Sjekk at det ikke "lyser gjennom" i dørpakning eller andre sammenføyninger.	Check for "light through" at door seals and other relevant locations.
✓	Trekkhender osv fungerer normalt.	The function of air valve handle etc is normal.

Jøtul bekrefter herved at dette produktet er kontrollert og funnet å være i samsvar med våre kvalitetsnormer.	Jøtul hereby confirm that this product has been QC inspected and found to comply with our quality standards.
Lot. No. / Serie nr. - Checked by / kontrollert av	

Art.nr. 10050659 -P04
Jøtul AS, Nov, 2018

Jøtul arbeider kontinuerlig for om mulig å forbedre sine produkter, og vi forbeholder oss retten til å endre spesifikasjoner, farger og utstyr uten nærmere kunngjøring.

Jøtul arbetar kontinuerligt för om möjligt kunna förbättra sina produkter, och vi förbehåller oss rätten att ändra specifikationer , färger och tillbehör utan att meddela.

Jøtul kehittää jatkuvasti tuotteitaan. Pidätämme siksi oikeuden tehdä muutoksia tuotteiden tietoihin, väreihin ja varusteisiin ilman erillistä ilmoitusta.

Jøtul pursue a policy of constant product development. Products supplied may therefore differ in specification, colour and type of accessories from those illustrated and described in the brochure.

Kvalitet

Jøtul AS arbeider etter et kvalitetssikringssystem basert på NS-EN ISO 9001 for utvikling, produksjon og salg av ildsteder. Vår kvalitetspolitikk skal gi kundene den trygghet og kvalitetsopplevelse som Jøtul har stått for siden bedriftens historie startet i 1853.

Kvalitet

Jøtul arbetar efter ett kvalitetssäkringssystem baserat på NS-EN ISO 9001 för utveckling, produktion och försäljning av eldstäder. Vår kvalitetspolitik skall ge kunderna trygghet och kvalitetsupplevelse som Jøtul har stått för sedan företaget startade 1853.

Laatu

Jøtul AS noudattaa tulisijojen kehittämisessä, tuotannossa ja myynnissä NS-EN ISO 9001 -standardiin perustuvaa laadunvarmistusjärjestelmää. Laatu koskevien menettelytapojemme tulee antaa asiakkaillemme kokemus siitä turvallisuudesta ja laadusta, josta Jøtul on tunnettu perustamisestaan, vuodesta 1853, lähtien.

Quality

Jøtul AS has a quality system that conforms to NS-EN ISO 9001 for product development, manufacturing, and distribution of stoves and fireplaces. This policy gives our customers quality and safety piece of mind as a result of Jøtul's vast experience dating back to when the company first started in 1853.

Jøtul AS,
P.o. box 1411
N-1602 Fredrikstad,
Norway
www.jotul.com

