

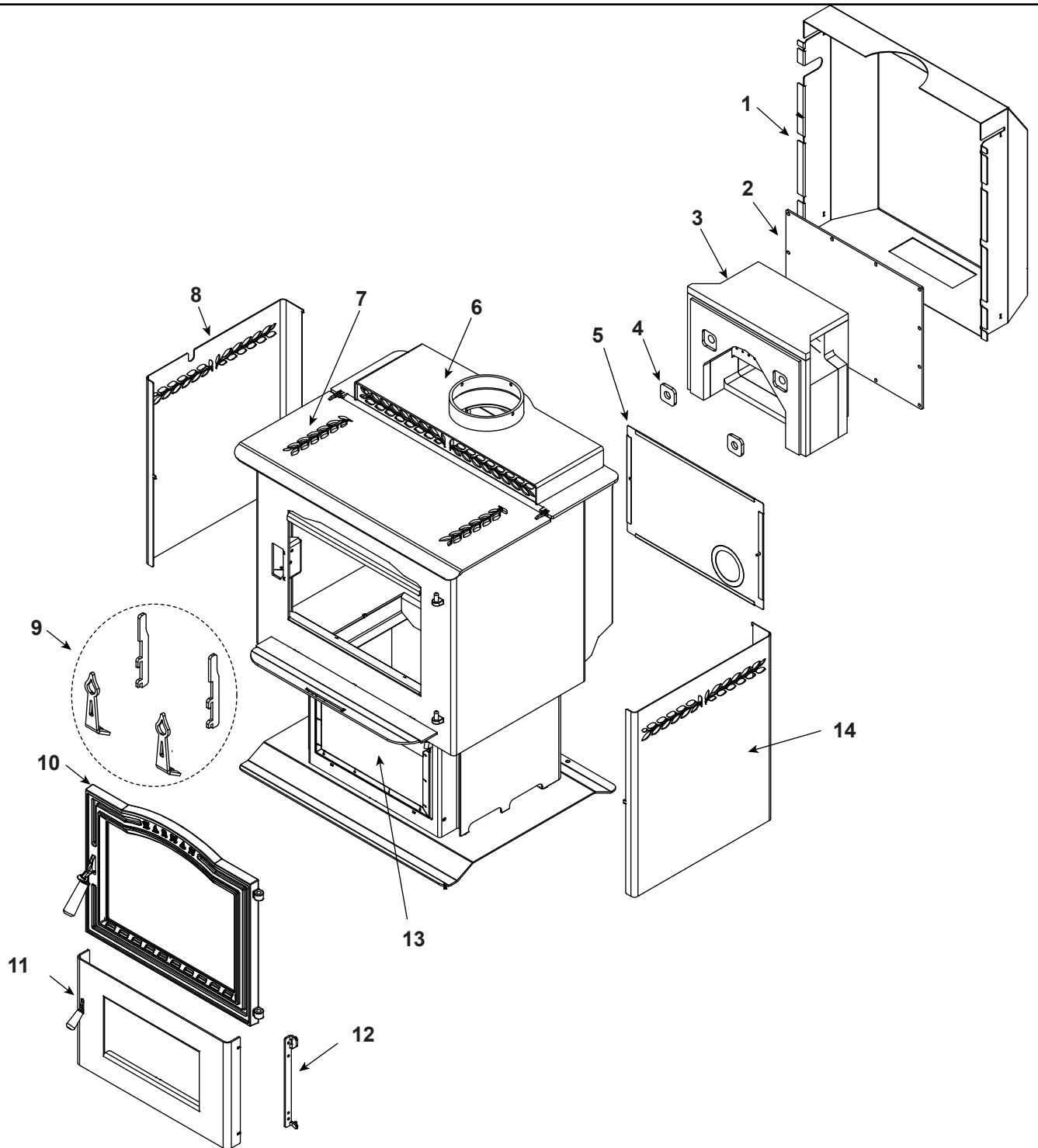
Wood Stove  
1-90-06900-1 (Black),

Beginning Manufacturing Date: Aug. 2007  
Ending Manufacturing Date: Active

### Retired Units

1-90-06900-2 (Charcoal) (Ending Manufacturing Date: June 2011)  
1-90-06900-3 (Goldenfire) (Ending Manufacturing Date: June 2011)  
1-90-06900-4 (Metallic Blue) (Ending Manufacturing Date: Jan 2010)

1-90-06900-5 (Honey Glo) (Ending Manufacturing Date: June 2009)  
1-90-06900-10 (Mojave Red) (Ending Manufacturing Date: Jan 2010)  
1-90-06900-12 (Forest Green) (Ending Manufacturing Date: Jan 2010)



Part number list on following page.

IMPORTANT: THIS IS DATED INFORMATION. When requesting service or replacement parts for your appliance please provide model number and serial number. All parts listed in this manual may be ordered from an authorized dealer.



**Stocked  
at Depot**

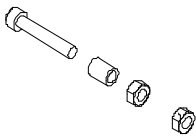
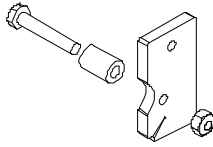
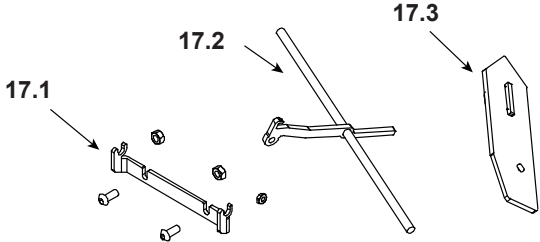
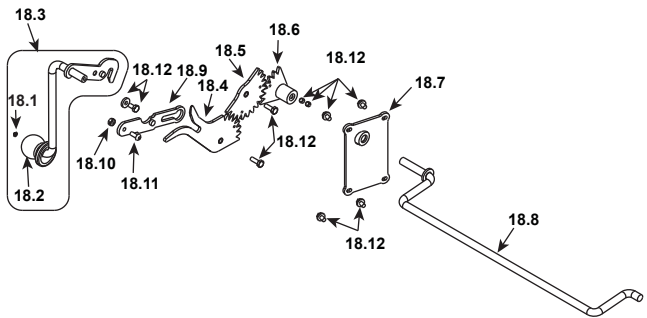
ITEM	DESCRIPTION	COMMENTS	PART NUMBER	
1	Rear Air Jacket		1-10-06928P	
	1/4-20 x 1/2" Grade 8.2 Zinc SAE Flange Bolt	Pkg of 50	3-30-2001-50	Y
2	Combustion Package Cover		2-00-06922L	
3	Combustion Package		3-40-06999	Y
	Combustion Package Base Gasket	Pkg of 2	3-44-06949-2	Y
	Gasket Package, Side and Top		3-44-06997	
4	Gasket, Brick Air	Pkg of 4	3-44-2500202-4	Y
5	Outside Air Plate		2-00-06943P	
	5/16-18 x 1 1/4" Grade 5 Zinc Plated Hex Cap Screw	Pkg of 50	3-30-1129-50	Y
6	Top Air Grill Assembly		1-10-06946P	
7	Top Load Door Assembly		1-10-06921A	Y
	Dowel Pin, .250 x .375	Pkg of 15	3-30-2019-15	
	Top Load Door Gasket Plate		1-10-40020	Y
	Gasket, Top Load Door		1-00-10050	Y
	Hinge Spacer	Qty 2 req	2-00-40021L	
	Lid Hinge Set, Bottom		1-00-40022	Y
	Nut, Zinc Plated Acron	Pkg of 50	3-30-8014-50	Y
8	Left Side Shield		2-00-06926P	Y
9	Andrion and Andiron Extension Set w/Hardware		2-00-05222-1	Y
	Screw, 5/16-18 x 3/4" Grade 5 Zinc Plated Hex Cap	Pkg of 100	3-30-1125-100	Y
	Washer, 5/16" Zinc Plated USS Flat	Pkg of 100	3-30-0204-100	Y
10	Front Load Door Assembly		1-10-06920A	
	Door Latch		1-00-249119	Y
	Gasket, Glass	15 Ft	1-00-2312	Y
	Gasket, Load Door	30 Ft	1-00-00888	Y
	Glass Clips w/Hardware		2-00-05202-4	Y
	Glass, Load Door	Pkg of 4	3-40-06932	Y
	Mounting Screw for Handle, 1/4"-20 x 2 1/2"	Pkg of 25	3-30-6007-25	Y
	Screw, 10-24 x 3/8", Button Head Cap for Glass clips	Pkg of 100	3-30-3011-100	Y
	Wooden Handle		1-00-00247	Y
11	Ash Door Assembly		1-10-06915A	
	Ash Door Latch		3-00-249149	
	Gasket, Ash door	5 Ft	1-00-10000	Y
	Wooden Knob, Ash Door	Pkg of 3	3-40-08746-3	
12	Bolt on Ash Door Hinge		2-00-06952B	Y
13	Ash Pan		1-10-06938	Y
14	Right Side Shield		2-00-06927P	Y

Additional service part numbers appear on following page.

IMPORTANT: THIS IS DATED INFORMATION. When requesting service or replacement parts for your appliance please provide model number and serial number. All parts listed in this manual may be ordered from an authorized dealer.

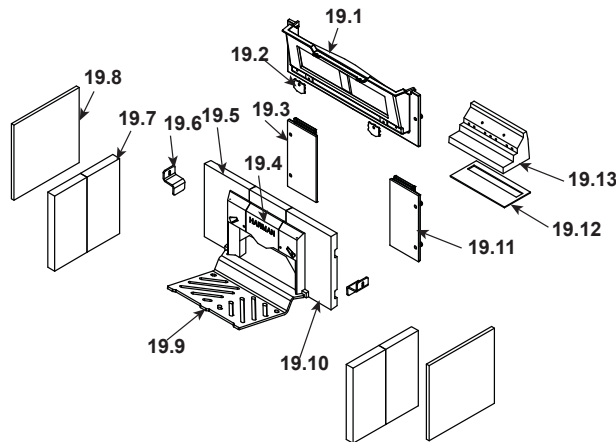


**Stocked  
at Depot**

ITEM	DESCRIPTION	COMMENTS	PART NUMBER	
<b>#15 Kit A</b> 		<b>#16 Kit B</b> 		
15	Kit A (Includes Screws, Steel Sleeve Bushing)		1-00-06902	
16	Kit B (Includes Screws, Steel Sleeve Bushing, Latch Adjuster Plate, Reverse Lock Nut).		1-00-06903	
<b>#17 Air Slide Assembly</b> 				
17.1	Rod Bracket		2-00-06963B	
17.2	Air Slide Adjuster		1-10-06964W	
17.3	Air Slide Weldment		1-10-06950W	
<b>#18 Damper Arm Assembly</b> 				
18.1	Push-On Cap Lift Arm		3-31-500015	
18.2	Wooden Knob		3-40-06956	Y
18.3	Damper Linkage Arm Weldment w/Hardware		1-10-06937W	Y
18.4	Damper Pivot Gear	Pkg of 2	2-00-06924-2	
18.5	Damper Idler Gear		2-00-06923L	
18.6	Damper Arm Gear Weldment		1-10-06916W	Y
18.7	Damper Shaft Cover Weldment		1-10-06918W	
18.8	Damper Linkage Weldment		1-10-249146	Y
18.9	Top Lift Arm weldment		1-10-08127	Y
18.10	1/4-20 Reversible Lock Nut	Pkg of 100	3-30-8020-100	Y
18.11	1/4-20 x 5/8 BHSCS	Pkg of 100	3-30-3016-100	Y
18.12	Hardware Package (Includes Drive Arm Washer, Pusher Block Bushing, Wave Washer, Screws)		1-00-06901	Y

Additional service part numbers appear on following page.

### #19 Firebox Assembly



IMPORTANT: THIS IS DATED INFORMATION. When requesting service or replacement parts for your appliance please provide model number and serial number. All parts listed in this manual may be ordered from an authorized dealer.



**Stocked  
at Depot**

ITEM	DESCRIPTION	COMMENTS	PART NUMBER	
19.1	Damper Frame Assembly (Includes Damper)		1-10-249106	Y
	Adjuster w/Hardware	Pre 008323034	1-00-249142	Y
		Post 008323034	1-00-250153	
	Damper w/Adjuster		1-10-249107	
	Damoer Shaft Retainers and Hardware	1 Set	1-00-249145	Y
	Gasket, 3/8" Round White for Damper Frame & Plate	30 Ft	1-00-00888	Y
19.2	Rear Brick Clip	Pkg of 2	1-00-249153	Y
19.3	Left Inside Plate Assembly w/Gasket		1-10-249117A	Y
19.4	Logo Brick		3-40-00101	Y
19.5	Inlet Brick Left		3-40-00103	Y
19.6	Side Brick Bracket	Pkg of 2	1-00-06945	Y
19.7	Fire Brick 6" x 12" (Qty 4 req)	Pre #551	4-40-86125	Y
		Post #551	3-40-86125	Y
19.8	Brick Insulation	Qty 2 req	3-40-06944	Y
19.9	Grate		2-00-06925B	Y
19.10	Inlet Brick Right		3-40-00104	Y
19.11	Right Inside Plate Assembly w/Gasket		1-10-249118A	Y
19.12	Shoe Brick Gasket		3-44-06951	Y
19.13	Shoe Brick		3-40-00100	Y
	Hardware Package (Includes Screws, Centerlock Nuts)		1-00-06900	Y
	Blower Option		1-00-08118	
	105 CFM Blower w/VSC		3-21-50757	Y
	Blower Mounting Plate		2-00-05218P	
	Hex Cap Screw for Blower Mounting Plate	Pkg of 50	3-30-1108-50	Y
	Air Grill Trim, Brushed Stainless		3-43-06948-7	
	Ashlip Trim, brushed Stainless		3-43-4722386-7	
	Door Trim, Brushed Stainless		3-43-06931-7	
	Tile Frame, Brushed Stainless		3-43-06729-7	
	Spring clip for Tile Frame	Pkg of 20	3-31-232547-20	