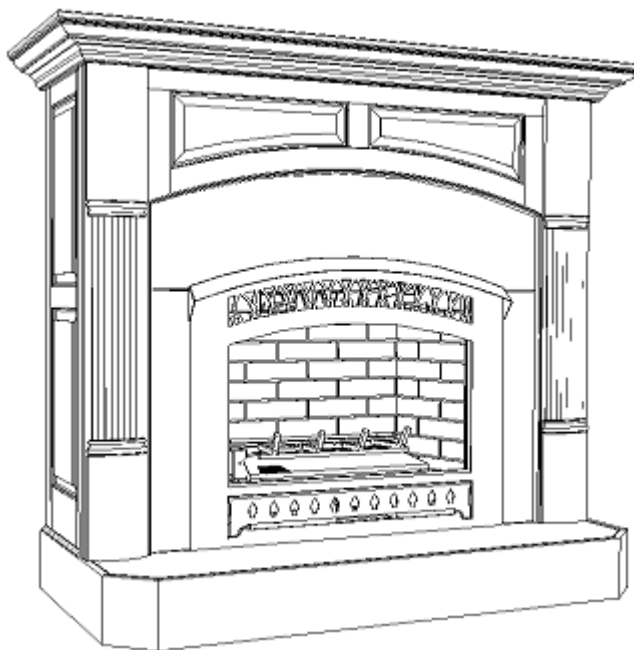


Installation & Operating Manual

The Harman Built Serenity II - HB35 DV



We suggest that our hearth products be installed and serviced by professionals who are certified in the U.S. by the National Fireplace Institute (NFI) as NFI Specialists.

"Ce manuel est disponible en Français sur demande"



R11

SAFETY NOTICE

PLEASE READ THIS ENTIRE MANUAL BEFORE YOU INSTALL AND USE YOUR NEW FIREPLACE. FAILURE TO FOLLOW INSTRUCTIONS MAY RESULT IN PROPERTY DAMAGE, BODILY INJURY, OR EVEN DEATH.

FOR USE IN THE U.S. AND CANADA. SUITABLE FOR INSTALLATION IN MOBILE HOMES

IF THIS HARMAN BUILT FIREPLACE IS NOT PROPERLY INSTALLED, A HOUSE FIRE MAY RESULT. FOR YOUR SAFETY, FOLLOW INSTALLATION DIRECTIONS.

CONTACT LOCAL BUILDING OR FIRE OFFICIALS ABOUT RESTRICTIONS AND INSTALLATION INSPECTION REQUIREMENTS IN YOUR AREA.

CONTACT YOUR LOCAL AUTHORITY (SUCH AS MUNICIPAL BUILDING DEPARTMENT, FIRE DEPARTMENT, FIRE PREVENTION BUREAU, ETC.) TO DETERMINE THE NEED FOR A PERMIT.

CETTE GUIDE D'UTILISATION EST DISPONIBLE EN FRANCAIS. CHEZ VOTRE CONCESSIONNAIRE DE HARMAN STOVE COMPANY.

SAVE THESE INSTRUCTIONS.

WARNING: If the information in this manual is not followed exactly, a fire or explosion may result causing property damage, personal injury or loss of life.

A. FOR YOUR SAFETY

Do not store or use gasoline or other flammable vapors and liquids in the vicinity of this or any other appliance.

B. FOR YOUR SAFETY: WHAT TO DO IF YOU SMELL GAS

- Do not try to light any appliance.
- Open windows.
- Extinguish any open flame.
- Do not touch any electrical switch; do not use any phone in your building.
- Immediately call your gas supplier **FROM A NEIGHBOR'S PHONE**.
Follow the gas supplier's instructions.
- If you cannot reach your gas supplier, call the fire department.

C. Installation and service must be performed by a qualified gas installer, service agency, or the gas supplier.



Manufactured By:
Harman Stove Company
A Division Of Hearth & Home Technologies
352 Mountain House Road
Halifax, PA 17032

Table of Contents

Introduction	4
Safety Precautions	4
Operation	5
Specifications	7
Installation	10
Arch Face	12
Venting	15
Fuel Conversion	26
Log Placement	28
Option Installation	
Thermostat	29
Remote Control	29
Maintenance	30
Wiring Diagram	32
Parts	34
Trouble Shooting	36
Warranty	40

Introduction

The Harman Serenity II Direct Vent Gas Fireplace is a listed gas-fired direct vent room fireplace tested by Intertek Testing Services/Warnock Hersey to ANSI Z21.88-2002/ CSA2.33-M02. CAN-CGA-2.17-M91.

The installation of the Serenity II Direct Vent Gas Fireplace must conform with local codes, or in the absence of local codes, with National Fuel Gas Code, ANSI Z223.1 — latest edition and CAN 1 B1-149.1 and .2 Installation Code.

Also for use in mobile (manufactured) homes after home is sited.

Mobile (manufactured) home installations must adhere to Title 24 CFR, part 3280, or CSA Z240.4.

CAUTION: This appliance must be vented to the outside.

Installation and repair of the Serenity II Direct Vent Gas Fireplace should be done by a qualified service person. The appliance should be inspected before use and at least annually by a qualified service person. More frequent cleaning may be required due to excessive lint from carpeting, bedding material, etc. It is imperative that control compartments, burners, and circulating air passageways of the Serenity II be kept clean.

When operating your Harman Serenity II Gas Fireplace, respect basic safety standards. Read these instructions carefully before you attempt to operate the fireplace. Failure to do so may result in damage to property or personal injury and may void the product warranty.

Consult with your local building code agency and insurance representative before you begin your installation to ensure compliance with local codes, including the need for permits and follow-up inspections.

Several issues must be addressed when selecting a suitable location for your Serenity II Gas Fireplace. Observing required clearances to combustible materials, the proximity to a safe venting system location, and the accessibility of the gas and electrical supply must all be considered. In addition, selecting a location that takes advantage of the building's natural air flow is also desirable to maximize the heating effectiveness of the fireplace. In many cases, this is a central location within the building.

Any safety screen or guard removed for servicing an appliance must be replaced prior to operating the appliance.

Due to high temperatures, the Serenity II Direct Vent Gas Fireplace should be located out of traffic and away from furniture and draperies.

Children and adults should be alerted to the hazards of high surface temperatures and should stay away to avoid burns or clothing ignition.

Young children should be carefully supervised when they are in the same room as the appliance.

Clothing or other flammable materials should not be placed on or near the appliance.

Surveiller les enfants. Garder les vêtements, les meubles, lessence ou autres liquides a vapeur inflammables lin de l'appareil.

This appliance may be installed in an aftermarket permanently located (mobile) home, where not prohibited by local codes.

This appliance is only for use with the type(s) of gas indicated on the rating plate. This appliance is not convertible for use with other gases, unless a certified kit is used.

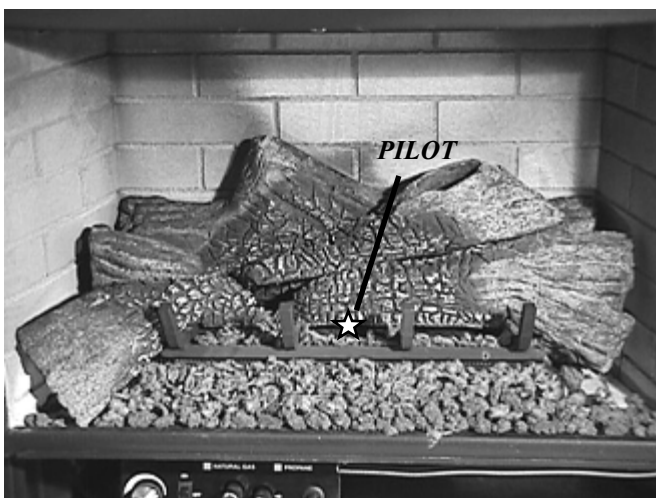
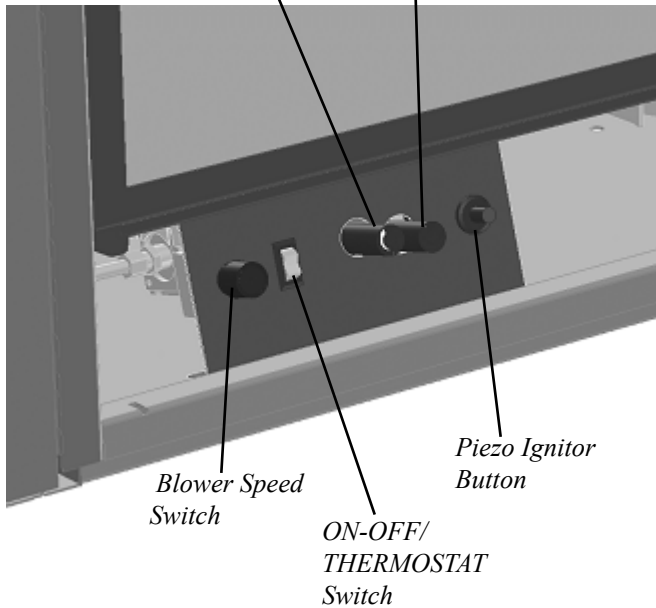
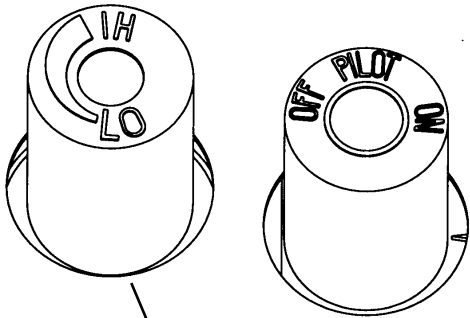
Cet appareil peut être installé dans une maison préfabriquée (mobile) déjà installée à demeure si les règlements locaux le permettent.

Cet appareil doit être utilisé uniquement avec les types de gaz indiqués sur la plaque signalétique. Ne pas l'utiliser avec d'autres gaz sauf si un kit de conversion certifié est installé.

A LABEL ON THE BURNER SYSTEM MODULE STATES THE FUEL FOR WHICH THE HEATER IS EQUIPPED.

High-Low

Gas Control

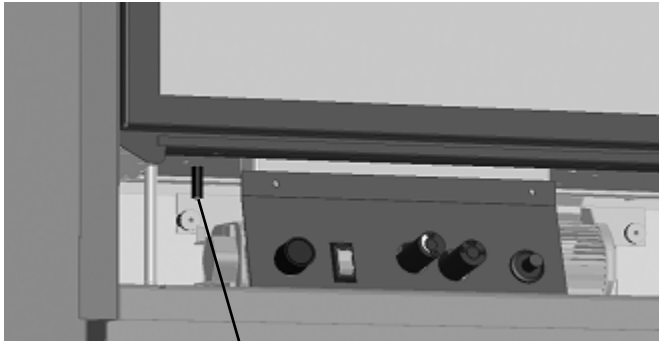


Operation

HOW TO LIGHT THE FIRE

1. STOP! Read the safety information on page 2.
2. If using the optional thermostat, set thermostat to the lowest setting.
3. Turn off electric power to the appliance.
4. Turn the ON-OFF/THERMOSTAT switch to the OFF position.
5. Push in the gas control knob slightly and turn it clockwise to "OFF." NOTE: THE KNOB CANNOT BE TURNED FROM "PILOT" TO "OFF" UNLESS IT IS PUSHED IN SLIGHTLY. DO NOT FORCE IT.
6. Wait five (5) minutes to clear out any gas. If you then smell gas, STOP! Follow "B" in the safety information inside the front cover. If you don't smell gas, go to the next step.
7. Set the High-Low Regulator to High by turning it fully counterclockwise.
8. Press in the gas control knob slightly and turn counterclockwise to "PILOT."
9. Find the pilot by looking at the location shown in the picture at lower left.
10. Push the control knob fully down and hold. Immediately push the red piezo ignitor button to light the pilot. It is normal to have to push the red button several times before the pilot ignites. Continue to hold the control knob in for about one minute after the pilot is lit. Release the knob and it will pop back up. The Pilot should remain lit. If it goes out, repeat steps 5 through 9.
 - If the knob does not pop up when released, stop and immediately call your service technician or gas supplier.
 - If the pilot will not stay lit after several tries, turn the gas control knob to "OFF" and call your service technician or gas supplier.
11. Turn the gas control knob counterclockwise to "ON."
12. Place the ON-OFF/THERMOSTAT switch in the ON position or in the THERMOSTAT position if the optional thermostat is used.
13. Turn on the electric power to the heater.
14. Set the optional thermostat to the desired room temperature.

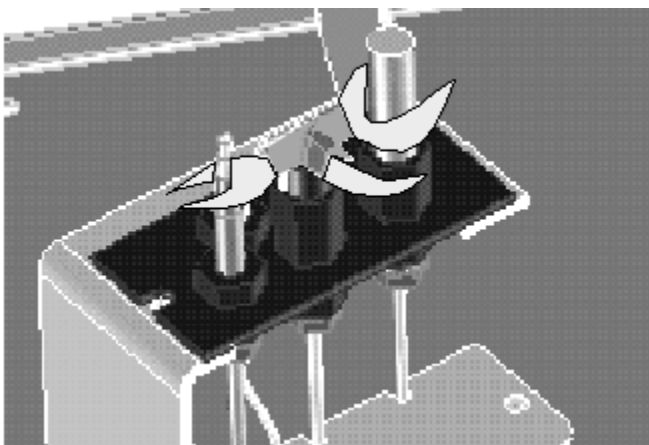
Bottom rear view of burner module.



Flame Height Adjuster



Normal Flame pattern. Note: Flames will vary in height and position depending on the placement and the amount of ember wool.



15. Set the High-Low Regulator to desired setting: Turn fully counterclockwise for High and fully clockwise for Low.

NOTE: An odor, resulting from the initial heating of new materials in your heater, is not unusual during the first fire, and in most cases will disappear after an hour or two.

HOW TO TURN OFF THE FIRE

1. If using optional thermostat, set thermostat to the lowest position.
2. Turn off the electric power to the appliance.
3. Turn the ON-OFF/THERMOSTAT switch to the OFF position.
4. Push in the gas control knob slightly and turn it clockwise to “OFF.”

NOTE: The knob cannot be turned from “PILOT” to “OFF” unless it is pushed in slightly. Do not force it.

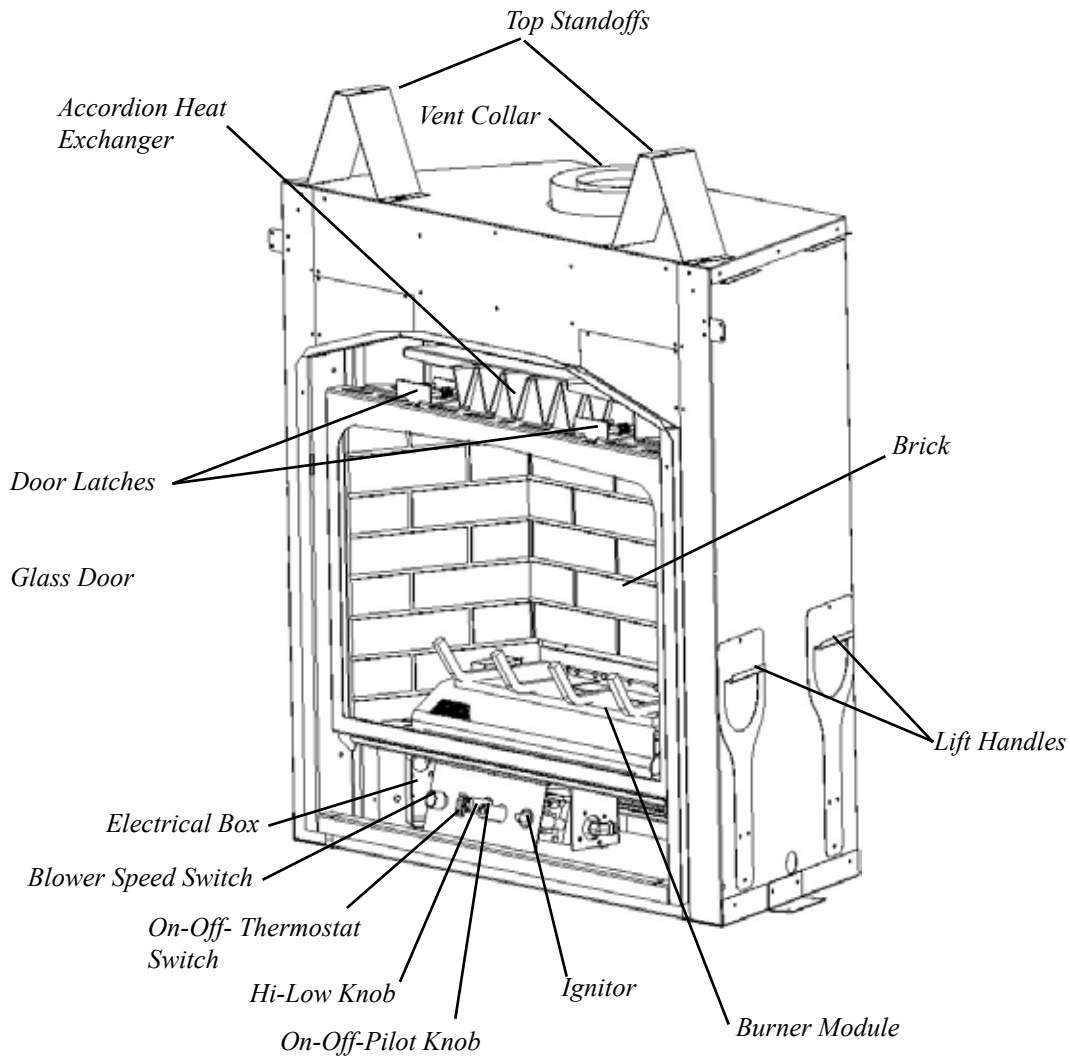
FLAME HEIGHT ADJUSTMENT

The adjuster can be accessed by reaching to the left side of the control panel and to the back of the unit. Turn the adjuster counterclockwise (up) to increase flame height and clockwise (down) to decrease. See above left. Adjusting the flames too high will cause them to have black tips and cause sooting. Sooting can cause the glass to get dirty.

Warning: The unit and adjuster may be hot. Wear gloves and arm protection if making adjustments while in operation.

Pilot Flames

If pilot flames are less than shown at left, have your service technician increase the flame height.



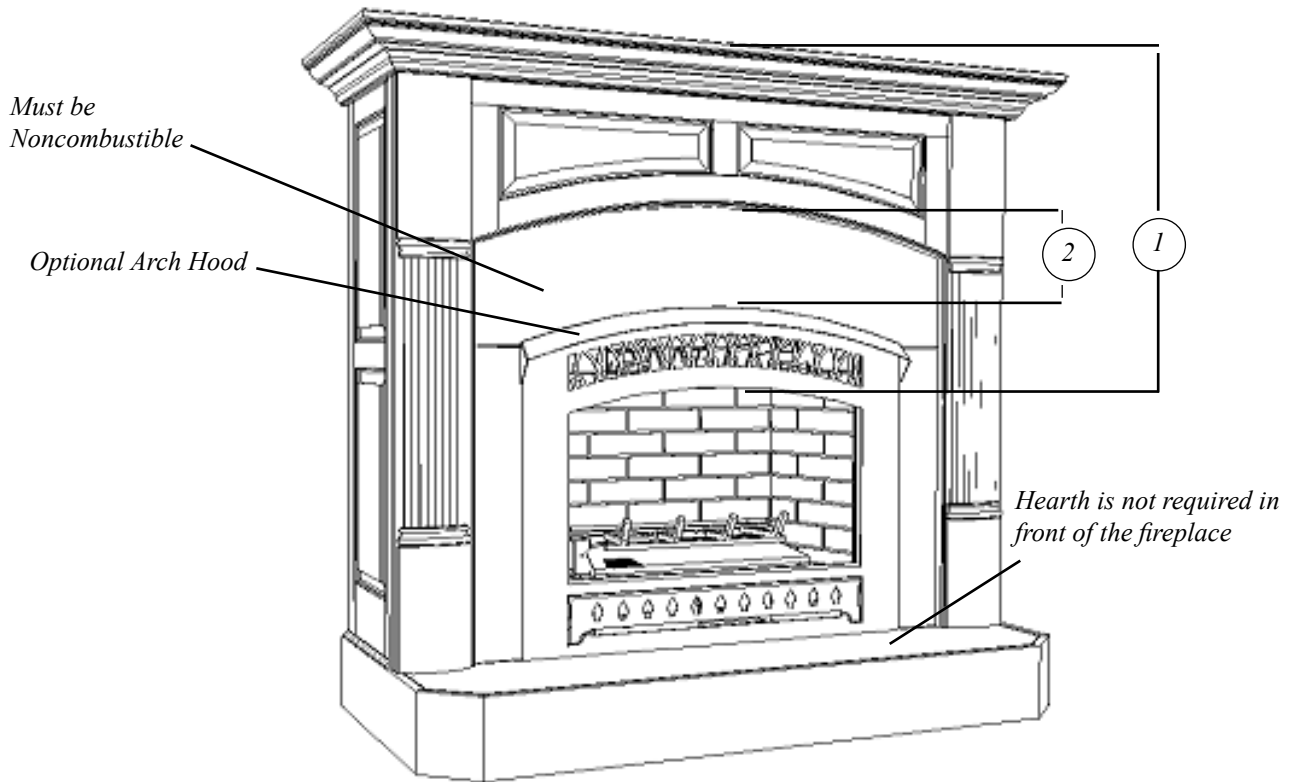
RATINGS	NATURAL	PROPANE
Input Rating (Btu/hr)(0-4500 ft.)(0-1375 m)	31000	31000
Min. Input Rating (Btu/hr)(0-4500 ft.)(0-1375 m)	21000	21000
Orifices (DMS)(0-4500 ft.)(0-1375 m)	36	52
Manifold Pressure (in w.c./kPa)	3.5/.87	10.0/2.49
Min. Manifold Pressure (in w.c./kPa)	1.8/.45	5.6/1.4
Min. Inlet Pressure (in w.c./kPa)	5.0/1.25	11.0/2.74
Max. Output (Btu/hr)(0-4500 ft.)(0-1375 m) (Blower Off)	24025	23637

Electrical Rating: 120 Volts, 60 Hz, >2.75 AMP

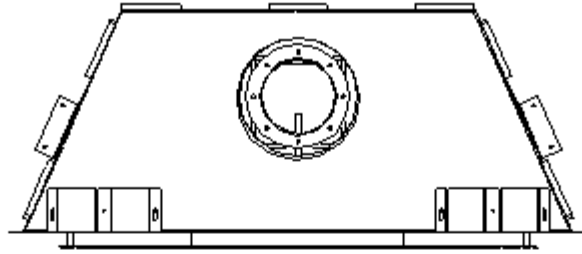
MINIMUM CLEARANCES FROM COMBUSTIBLE CONSTRUCTION:

Unit to floor	0 in.
Face to side wall	7 in.
Unit to top stand-offs	0 in.
Unit to side stand-offs	0 in.
Unit to rear stand-offs	0 in.
Top of Glass to 8" Mantel	24in.
Venting to Combustibles	1 in. (Minimum Requirement, Check Venting Manufacturer's Guidelines.)

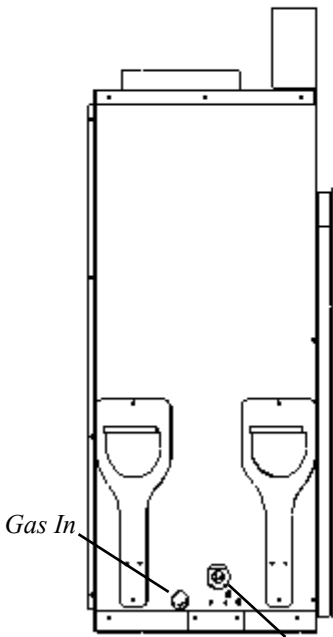
This fireplace may be placed on a wood floor.



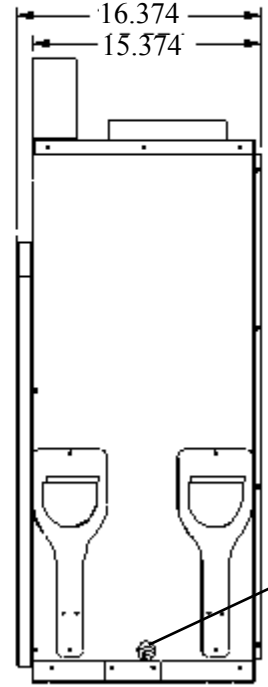
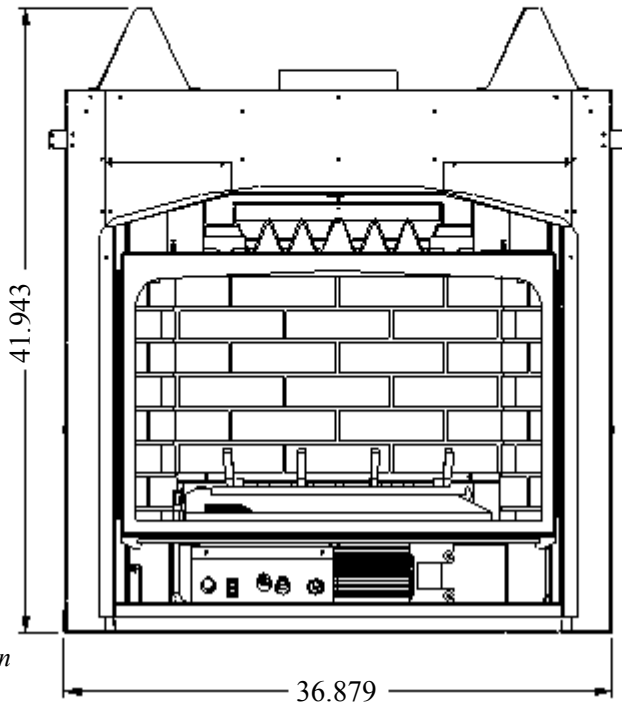
1. Clearance from top of glass to 8" mantel	24 inches
2. Clearance from top of arch to bottom of wood facing	10 inches



Top View

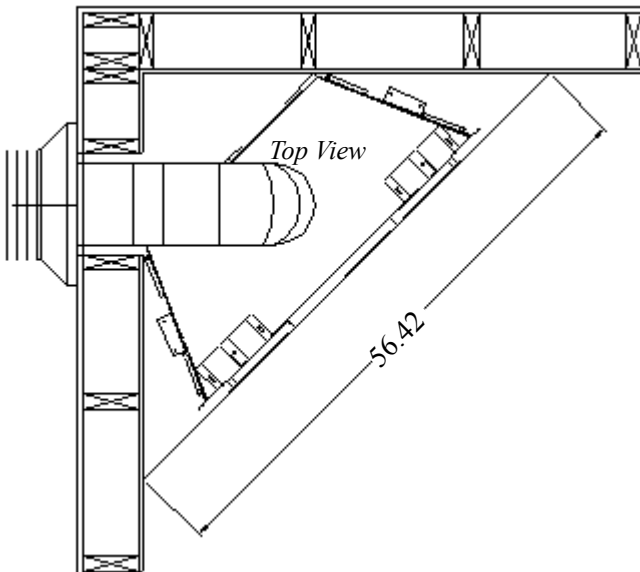


Left Side View



Right Side View

Corner





Shown is the M2 Mantel Cabinet with marble finish facing, raised marble finish hearth and a gold plated Arch face with Arch hood.

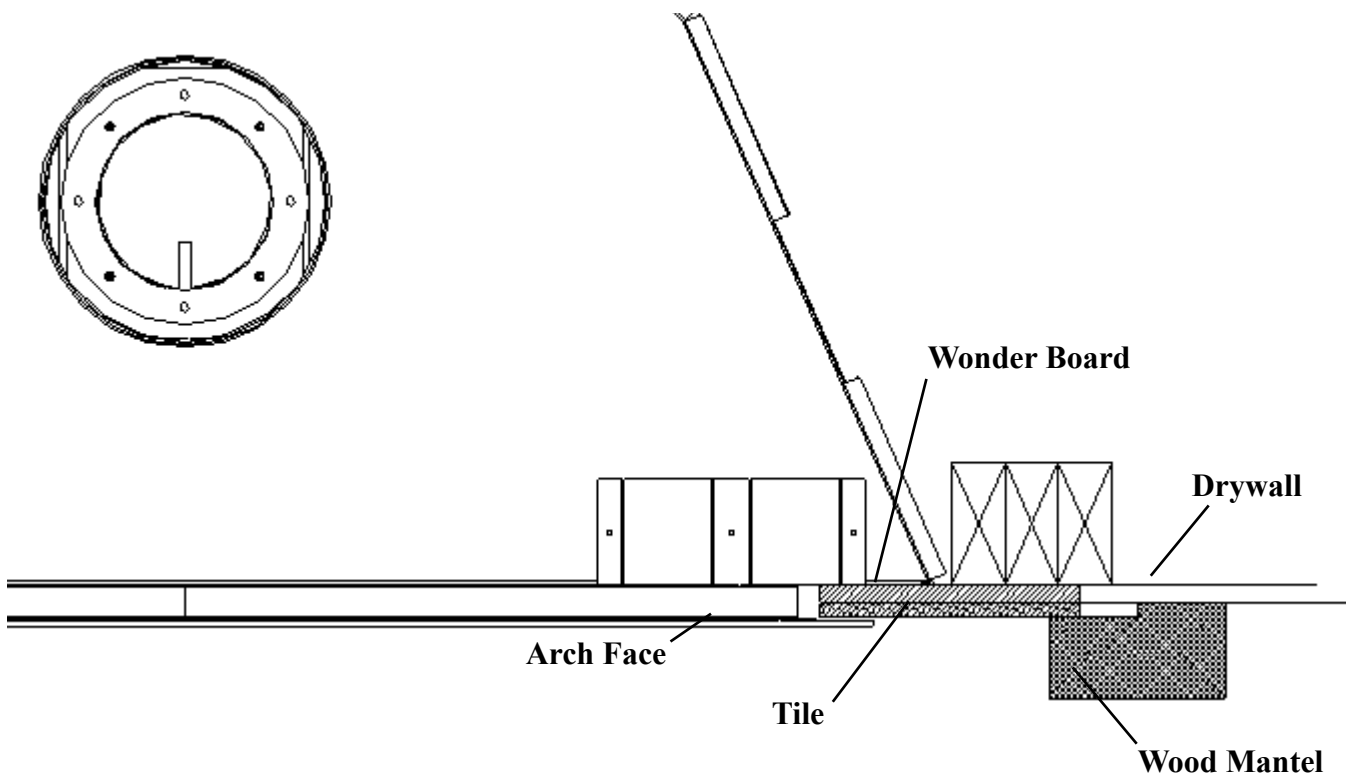
Installation Options

This section deals with basic installation of an Arch face. It does not describe every possible way to install this fireplace. This is why it is important to have a qualified installer do the installation.

The Serenity II can be laid in stone, brick, or other masonry products. For this purpose, special face templates (part # 1-00-4235231 for arch faces and 1-00-4235240 for rectangular faces) are available.

We also offer a line of Harman Built mantels, mantel cabinets, and corner mantel cabinets.

Typical Tile Facing Sectional View



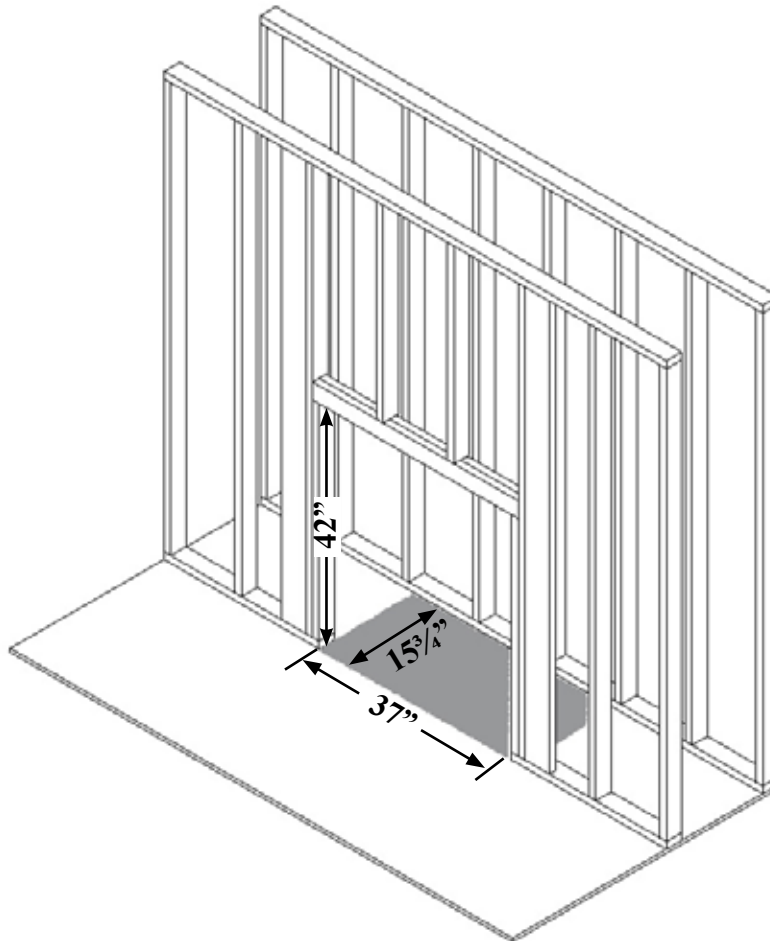
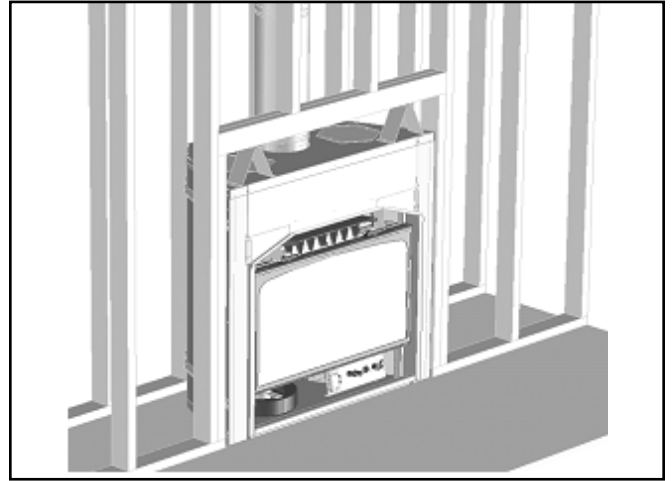
Placement

Here are some of the things that will affect the exact placement of the fireplace.

1. Venting configuration.
2. Arch, Rectangular or Victorian face. Arch and Rectangular face - Must decide on mantel and front facing material.
3. Raised hearth, flat hearth or raised with no hearth.
5. Thermostat position.
6. Gas line hook-up is on the right side.
7. Electrical hook-up is on the left side.

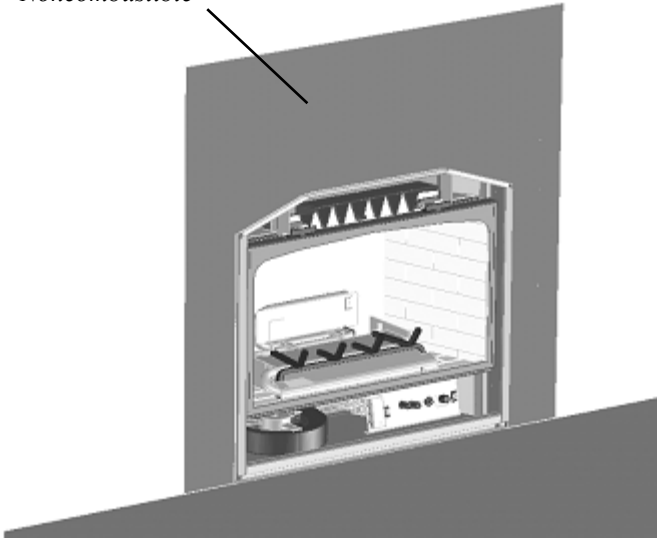
This appliance must be electrically connected and grounded in accordance with local codes or in the absence of local codes, with the current edition of NFPA 70-National Electric Code or CSA C22.1-Canadian Electrical Code.

This unit shall not be installed on carpet, vinyl tile, or combustible material other than wood.

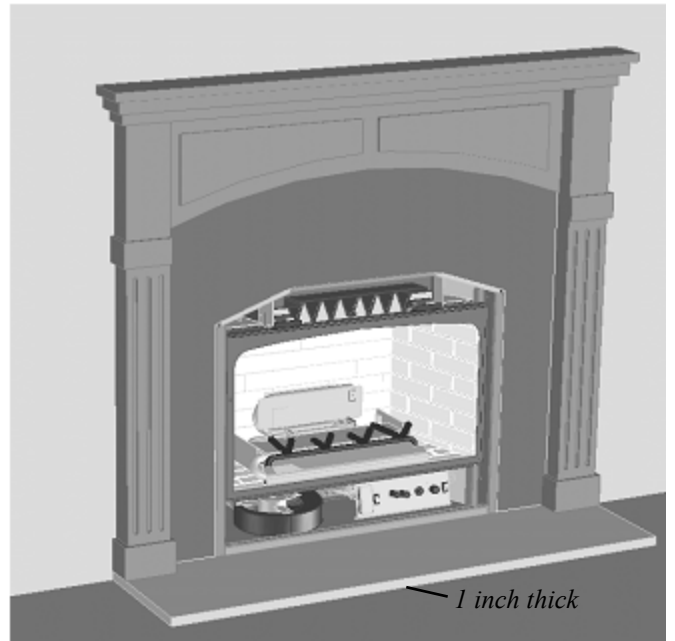


Installing fireplace in a wall with an arch face, ceramic tile facing, and a Harman Built (M1) Mantel.

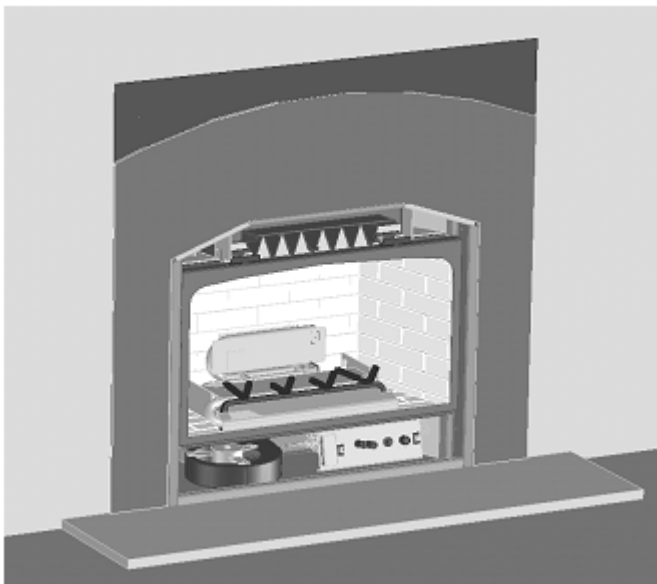
Noncombustible



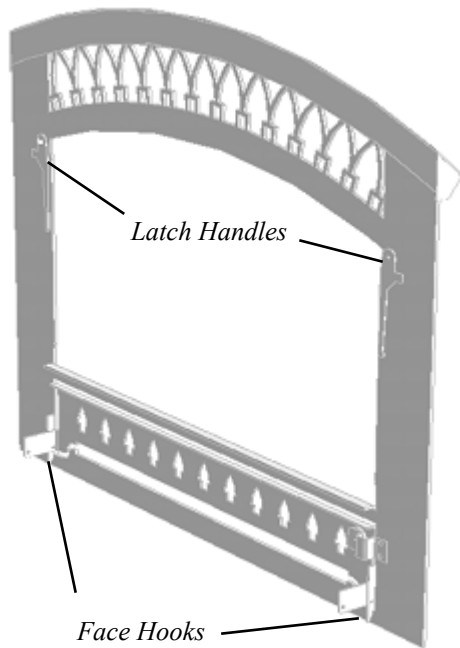
Noncombustible material such as Dura-rock must be used as facing on the front of the fireplace cabinet.



A one inch space under the front edge of the fireplace allows room for hearth material. Hearth material that is thicker must be compensated for by raising the fireplace the proper amount.



Ceramic tile, marble or other decorative noncombustible material may be used in front of the Dura-rock. The total thickness for all layers of facing material may not exceed one inch.



Installing The Arch Face

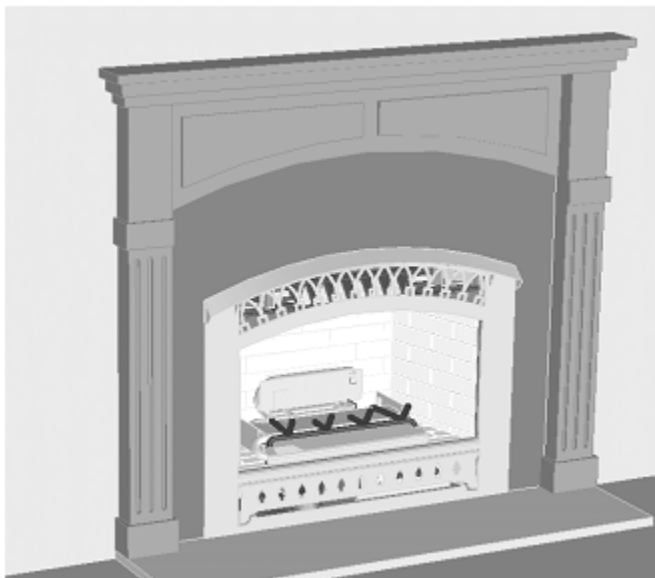
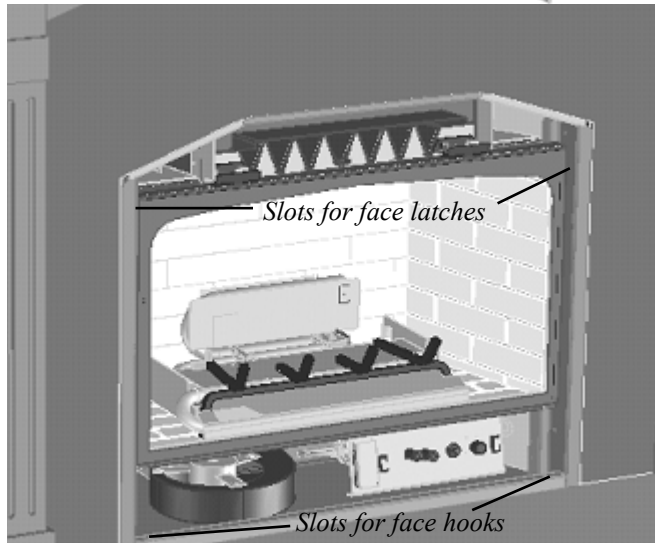
To install the arch face, place the hooks on the bottom rear of the face into the hook slots on the fireplace. Next, with the top latch handles in the horizontal position push the face against the fireplace and swing the latches straight down causing them to enter the top face slots.

Removing The Arch Face

To remove the face, unlatch the top latches, tilt the top of the face away from the fireplace and lift the face out of the bottom slots.

Rectangular Face

Rectangular faces are installed and removed the same as arch faces.



Burn Only the Fuel for which the Heater is Equipped

The Serenity II Direct Vent will burn either natural gas or propane, but requires a change over kit for propane. The label on the burner system module indicates the fuel for which it is equipped. A second label, (on the valve) also indicates the fuel type.

NATURAL GAS
 PROPANE

Making The Connection

The gas inlet is located on the bottom right side of the fireplace. The inlet fitting is 1/2" male flare fitting designed for 1/2" stainless flex pipe. This fitting can be removed to provide 3/8" female pipe thread.

A separate gas shut-off valve and a 1/8" N.P.T. plugged tapping should be installed immediately upstream of the connection to the appliance.

The Serenity II Direct Vent Gas Heater must be disconnected from the gas supply piping during any pressure testing of that system at pressures in excess of 1/2 psig (3.5 kPa).

The Serenity II gas control valve must be in the OFF position during any pressure testing of the gas supply system at pressures equal to or less than 1/2 psig (3.5 kPa).

WARNING: To avoid pipe compounds from entering into the gas train, apply compounds only to male pipe threads and do not apply compound to the first two threads.

CAUTION: TEST ALL JOINTS FOR LEAKS BEFORE OPERATING.

Gas Pressure Requirements:

Correct gas pressure and the use of a properly sized gas supply line are essential for the safe and efficient performance of this appliance. Make sure that the plumber or gas supplier checks the gas supply line and gas pressure at installation.

NOTE: Improper gas pressure can affect heater performance, flame color, or cause pilot outage.

Natural Gas:

Maximum inlet pressure 7.0" w.c. (1.74 kPa)

Minimum inlet pressure 5.0" w.c. (1.25 kPa)

Gas manifold pressure 3.5" w.c. (0.87 kPa)

LP Gas:

Maximum inlet pressure 13" w.c. (3.24 kPa)

Minimum inlet pressure 11" w.c. (2.74 kPa)

Gas manifold pressure 10" w.c. (2.49 kPa)

DO NOT USE THIS HEATER IF ANY PART HAS BEEN UNDER WATER OR EXPOSED TO MOISTURE CORROSION. IMMEDIATELY CALL A QUALIFIED SERVICE TECHNICIAN TO INSPECT THE HEATER AND REPLACE ANY PART OF THE CONTROL SYSTEM AND ANY GAS CONTROL WHICH HAS BEEN UNDER WATER.

RECOMMENDED GAS PIPE DIAMETER

Pipe Length (Feet)	Schedule 40 Pipe Inside Diameter		Tubing, Type L Outside Diameter	
	N.G.	L.P.	N.G.	L.P.
0-10	1/2" 1.3 cm	3/8" 1.0 cm	1/2" 1.3 cm	3/8" 1.0 cm
10-40	1/2" 1.3 cm	1/2" 1.3 cm	5/8" 1.6 cm	1/2" 1.3 cm
40-100	1/2" 1.3 cm	1/2" 1.3 cm	3/4" 1.6 cm	1/2" 1.3 cm
100-150	3/4" 2.0 cm	1/2" 1.3 cm	7/8" 2.3 cm	3/4" 2.0 cm

NOTE: NEVER USE PLASTIC PIPE. CHECK TO CONFIRM WHETHER YOUR LOCAL CODES ALLOW COPPER TUBING OR GALVANIZED PIPE.

Use Only Approved Venting

This appliance has been tested and is listed for installation with Simpson Duravent GS, Selkirk Direct - Temp, Secure Vent Direct Vent, Montigo Direct Vent, and ICC Excel Direct. The venting manufacturer's warranty will be voided, and serious fire, health, or other safety hazards may result from any of the following actions:

- Installation of any damaged venting component.
- Unauthorized modification of any venting component.
- Installation of any mixed brand component(s).
- Installation other than as instructed by the venting manufacturer and Harman Stove Company.

Consult your local building codes before beginning the installation, and follow the manufacturer's instructions exactly. The following pages list the approved venting components from each manufacturer.

EXCELDirect Component List

Liste des composants	Component Name	4" I.D. 6 5/8" O.D.	5" I.D. 8" O.D.
Longueurs	Lengths		
Longueur 6" Galvalume	6" Length Galvalume	TC-4DL6	TC-5DL6
Longueur 6" Noire	6" Length Black	TC-4DL6B	TC-5DL6B
Longueur 12" Galvalume	12" Length Galvalume	TC-4DL1	TC-5DL1
Longueur 12" Noire	12" Length Black	TC-4DL1B	TC-5DL1B
Longueur 24" Galvalume	24" Length Galvalume	TC-4DL2	TC-5DL2
Longueur 24" Noire	24" Length Black	TC-4DL2B	TC-5DL2B
Longueur 48" Galvalume	48" Length Galvalume	TC-4DL4	TC-5DL4
Longueur 48" Noire	48" Length Black	TC-4DL4B	TC-5DL4B
Longueur Flexible 36"	Flexible Length 36"	TC-4DLF	TC-5DLF
Longueur Télescopique 12" Galvalume	12" Adjustable Length Galvalume	TC-4DLT	TC-5DLT
Longueur Télescopique 12" Noire	12" Adjustable Length Black	TC-4DLTB	TC-5DLTB
Coudes	Elbows		
Coude 45° Galvalume	45° Elbow Galvalume	TE-4DE45	TE-5DE45
Coude 45° Noire	45° Elbow Black	TE-4DE45B	TE-5DE45B
Coude 90° Galvalume	90° Elbow Galvalume	TE-4DE90	TE-5DE90
Coude 90° Black	90° Elbow Black	TE-4DE90B	TE-5DE90B
Supports et coupe-feux	Supports & Firestops		
Support carré / Coupe-feu radiant*	Square Support / Radiation Shield*	TM-4SS	TM-5SS
Support rond / Coupe-feu radiant**	Round Support / Radiation Shield**	TM-4RDS	TM-5RDS
Support pour plafond / Coupe-feu	Ceiling Support / Firestop	TM-4CS	TM-5CS
Support de déviation	Offset Support		TM-OS
Support de toit	Roof Support		TM-SR
Support mural ajustable	Adjustable Wall Support		TM-WS
Coupe-feu mural ajustable	Adjustable Wall Thimble	TM-4WT	TM-5WT
Anneau de finition noire	Trim Ring Black	TM-4TR	TM-5TR
Coupe-feu radiant d'entretoit	Attic Radiation Shield / Firestop	TM-4AS	TM-5AS
Chapeaux	Terminations		
Chapeau horizontal	Horizontal Termination	TM-4HT	TM-5HT
Chapeau horizontal de luxe	Deluxe Horizontal Termination	TM-4DHT	TM-5DHT
Chapeau vertical	Vertical Termination	TM-4VT	TM-5VT
Chapeau périscope 14"	14" Snorkel Termination	TM-4ST14	TM-5ST14
Chapeau périscope 36"	36" Snorkel Termination	TM-4ST36	TM-5ST36
Solins et collets	Flashing and Collar		
Solin plat	Flat Flashing	TF-4F	XF-6EF
Solin ajustable 1/12 - 7/12	Adjustable Flashing 1/12 - 7/12	TF-4FA	XF-6EFA
Solin ajustable 8/12 - 12/12	Adjustable Flashing 8/12 - 12/12	TF-4FB	XF-6EFB
Solin pour cheminée de maçonnerie	Masonry Chimney Flashing	TF-4MF	---
Collet de solin	Storm Collar		TM-SC
Accessoires	Accessories		
Disque restricteur	Restrictor Disc	TM-4RD	
Protecteur de vinyl	Vinyl Siding Standoff		TM-VSS
Adaptateur pour appareil de coaxial à colinéaire	Coaxial to Collinear Appliance Adaptor	TM-4CAA	
Adaptateur pour chapeau de colinéaire à coaxial	Collinear to Coaxial Termination Adaptor	TM-4CTA	
Raccord de gaine flexible 3"	Flex Liner Connector 3"		TM-CFAA3
Adaptateur de cheminée 6" - Type A et maçonnerie ***	Type A / Masonry Chimney Adaptor 6" ***	TM-4CA6	---
Adaptateur de cheminée 7" - Type A ***	Type A Chimney Adaptor - 7" ***	TM-4CA7	---
Adaptateur de cheminée 8" - Type A ***	Type A Chimney Adaptor - 8" ***	TM-4CA8	---

* Order the Excel chimney square support extension (6ESSE for 4", and 7ESSE for 5") if required.

** Order the Excel chimney round support extension (6ERDSE for 4", and 7ERDSE for 5") if required.

*** These Components are not UL or Warnock Hersey listed.

Selkirk Direct- Temp / Simpson Dura-Vent Direct Vent GS Cross Reference of Approved Venting Components

Selkirk Direct-Temp

Stock No.	Description
4DT-6	6" Pipe Length, Galvanized
4DT-6B	6" Pipe Length, Black
4DT-9	9" Pipe Length, Galvanized
4DT-9B	9" Pipe Length, Black
4DT-12	12" Pipe Length, Galvanized
4DT-12B	12" Pipe Length, Black
4DT-18	18" Pipe Length, Galvanized
4DT-18B	18" Pipe Length, Black
4DT-24	24" Pipe Length, Galvanized
4DT-24B	24" Pipe Length, Black
4DT-36	36" Pipe Length, Galvanized
4DT-36B	36" Pipe Length, Black
4DT-48	48" Pipe Length, Galvanized
4DT-48B	48" Pipe Length, Black
4DT-AJ	Adjustable Length, 11" - 14", Galv.
4DT-AJB	Adjustable Length, 11" - 14", Black
4DT-EL45	45° Elbow, Galvanized
4DT-EL45B	45° Elbow, Black
4DT-EL90	90° Elbow, Galvanized
4DT-EL90B	90° Elbow, Black
4DT-AA	Appliance Adaptor, Black
4DT-RD	Restriction Disc
4DT-CS	Ceiling Support
4DT-CSS	Cathedral Support Box
4DT-WS/B	Wall Support Band
4DT-OS	Offset Support
4DT-WT	Round Wall Thimble, Black
4DT-FS	Firestop Spacer
4DT-TP	Trim Plate, Black
4DT-HKA	Horizontal Term. Kit A
4DT-HKB	Horizontal Term. Kit B
4DT-VKC	Vertical Termination Kit
4DT-HVC	High Wind Vertical Cap
4DT-HHC	High Wind Horizontal Cap
4DT-SC	Storm Collar
4DT-AF6	Adjustable Flashing, 0/12-6/12
4DT-AF12	Adjustable Flashing 6/12-12/12
4DT-VS	Vinyl Siding Standoff
4DT-VSP	Vinyl Siding Shield Plate
4DT-ST14	Snorkel Termination 14"
4DT-ST36	Snorkel Termination 36"

Simpson Dura-Vent Direct Vent GS

Stock No.	Description
908	6" Pipe Length, Galvanized
908B	6" Pipe Length, Black
907	9" Pipe Length, Galvanized
907B	9" Pipe Length, Black
906	12" Pipe Length, Galvanized
906B	12" Pipe Length, Black
n/a	
n/a	
904	24" Pipe Length, Galvanized
904B	24" Pipe Length, Black
903	36" Pipe Length, Galvanized
903B	36" Pipe Length, Black
902	48" Pipe Length, Galvanized
902B	48" Pipe Length, Black
911	Adjustable Length, 11"-14", Galv.
911B	Adjustable Length, 11"-14", Black
945	45° Elbow, Galvanized
945B	45° Elbow, Black
990	90° Elbow, Galvanized
90B	90° Elbow, Black
n/a	
929	Restrictor Disc
949	Round Ceiling Spt/Wall Thimble Cvr
941	Cathedral Ceiling Support Box
988	Wall Strap
989	Elbow Strap
942	Wall Thimble
963	Ceiling Firestop
n/a	
970	Basic Horizontal Term. Kit
971	Horizontal Termination Kit A
978	Vertical Termination Kit
991	High Wind Termination Cap
985	Horizontal Square High Wind Termination
953	Storm Collar
943	Adjustable Flashing, 0/12-6/12
943S	Adjustable Flashing 6/12-12/12
950	Vinyl Siding Standoff
n/a	
982	Snorkel Termination Cap 14"
981	Snorkel Termination Cap 36"


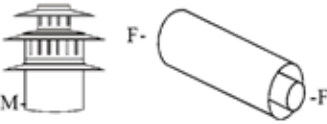

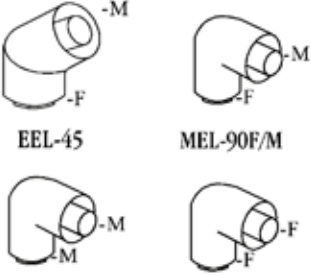
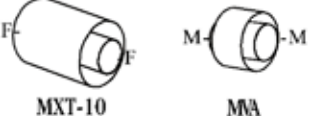
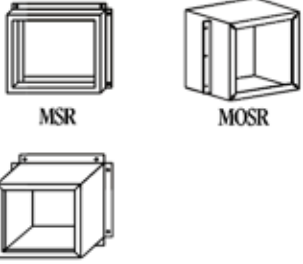
SECURE VENT DIRECT VENT SYSTEM - 4" x 6-5/8" and 5" x 8"

Cross Reference List

Description	Secure Vent	Simpson Dura-Vent Direct Vent GS	Secure Vent	Simpson Dura-Vent Direct Vent GS
	Cat No.	Stock No.	Cat No.	Stock No.
Length 6" (Galvalume)	SV4L6	908	SV5L6	1208
Length 6" (Black)	SV4LB6	908B	SV5LB6	1208B
Length 12" (Galvalume)	SV4L12	906	SV5L12	1206
Length 12" (Black)	SV4LB12	906B	SV5LB12	1206B
Length 24" (Galvalume)	SV4L24	904	SV5L24	1204
Length 24" (Black)	SV4LB24	904B	SV5LB24	1204B
Length 36" (Galvalume)	SV4L36	903	SV5L36	1203
Length 36" (Black)	SV4LB36	903B	SV5LB36	1203B
Length 48" (Galvalume)	SV4L48	902	SV5L48	1202
Length 48" (Black)	SV4LB48	902B	SV5LB48	1202B
Adj. Length (Galv.)(Adjustable 6")	SV4LA	n/a	SV5LA	n/a
Adj. Length (Blk)(Adjustable 6")	SV4LBA	n/a	SV5LBA	n/a
Adj. Length (Galv.)(Adjustable 12")	SV4LA12	n/a	SV5LA12	n/a
Adj. Length (Blk)(Adjustable 12")	SV4LBA12	n/a	SV5LBA12	n/a
Adj. Length (Galv.)(Adjustable 24")	SV4LA24	917	SV5LA24	1217
Adj. Length (Blk)(Adjustable 24")	SV4LBA24	917B	SV5LBA24	1217B
Swivel 45° elbow (Galvalume)	SV4E45	945G	SV5E45	1245G
Swivel 45° elbow (Black)	SV4EB45	945BG	SV5EB45	1245BG
Rigid 45° elbow (Black)	SV4EBR45	945B	SV5EBR45	1245B
Swivel 90° elbow (Galvalume)	SV4E90	990G	SV5E90	1290G
Swivel 90° elbow (Black)	SV4EB90	990BG	SV5EB90	1290BG
Rigid 90° elbow (Black)	SV4EBR90	990B	SV5EBR90	1290B
Adjustable Decorative Square Cathedral Support Collar for the Decorative Square Cathedral Support	SV4CSB	941	SV5CSB	1241
Decorative Black Plate (square)	SV4AC	n/a	SV5AC	n/a
Universal Support	SV4PF	940	SV5PF	1240
Floor Support	SV4SU	989	SV5SU	1289
Roof Brace	SV4SD	n/a	SV5SD	n/a
Roof Support	SV4BS	n/a	SV5BS	n/a
	SV4ST	n/a	SV5ST	n/a
Wall Band	SV4BM	988	SV5BM	1288
Attic Radiation Shield	SV4RSA	n/a	SV5RSA	n/a
Wall Radiation Shield	SV4RSM	942	SV5RSM	1242
Firestop	SV4BF	963	SV5BF	1263
Flat Roof Flashing(storm collar incl.)	SV4F	943F	SV5F	1243F
Adjustable Roof Flashing 1/12 - 7/12 (storm collar incl.)	SV4FA	943	SV5FA	1243
Adjustable Roof Flashing 8/12 - 12/12 (storm collar incl.)	SV4FB	943S	SV5F B	1243S
Storm Collar	SV4FC	953	SV5FC	1253
Vinyl Shield Protector	SV4VS	950	SV5VS	1250
Restrictor Disk	SV4RD	929	SV5RD	n/a
VERTICAL TERMINATION CAP	SV4CGV	980	SV5CGV	1280
HORIZONTAL TERMINATION CAP	SV4CHC-1	984	SV5CHC-1	1284
SNORKEL CAP 14"	SV4STC14	982	SV5STC14	1282
SNORKEL CAP 36"	SV4STC36	981	SV5STC36	1281

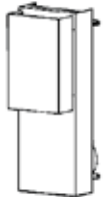


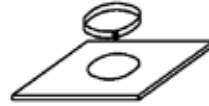



Standard Series Direct Vent (4"/ 7")

	Description	Order Code
 <p>MTO-3 MTO-3F</p>	<p>HORIZONTAL TERMINATIONS 3" length, no mounting frame (use with MSR or MOSR) 3" Termination, with integral mounting frame</p>	<p>MTO3 MTO3F</p>
 <p>MVTK-1 EXT-18</p>	<p>VERTICAL TERMINATION Termination for vertical installations Includes MXT-10 adaptor (for straight, vertical installations) Termination Touch-Up Paint</p>	<p>MVTK1 Paint03</p>
 <p>MEXT-1, MEXT-2, MEXT-3, MEXT-4 MFL-1, MFL-18, MFL-2, MFL-3, MFL-4</p>	<p>VENT PIPES Extensions 18" rigid section (female/female) 12" rigid section (female/male) 24" rigid section (female/male) 36" rigid section (female/male) 48" rigid section (female/male) 72" rigid section (female/male) Flex Sections 12" flex section (female/female connectors) 18" flex section (female/female) 24" flex section (female/female) 36" flex section (female/female) 48" flex section (female/female)</p>	<p>EXT18 MEXT1 MEXT2 MEXT3 MEXT4 MEXT6 MFL1 MFL18 MFL2 MFL3 MFL4</p>
 <p>EEL-45 MEL-90F/M MEL-90M/M MEL-90F/F</p>	<p>Elbows 45° solid elbow section (female/male connectors) 90° elbow (female/female) 90° elbow (male/male) 90° elbow (female/male) Clearance Reducing Sleeve</p>	<p>EEL45 MEL90F/F MEL90M/M MEL90F/M CRS30</p>
 <p>MXT-10 MVA</p>	<p>Vertical Installation Adaptor 10" flue adaptor for straight, vertical installations (female/female) Vent Connector 4" vent connector (male/male)</p>	<p>MXT10 MVA</p>
 <p>MSR MOSR BSR-4, BSR-6</p>	<p>TERMINATION FRAMES Siding or Stucco Frame Used for easy installation of termination. Siding or Stucco Can Used to provide installation of termination from the inside of the building. Brick Siding Can Used for installation of termination on brick wall. 4" depth 6" depth</p>	<p>MSR MOSR BSR-4 BSR-6</p>





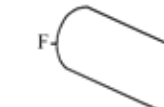
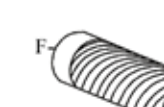






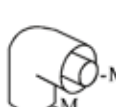

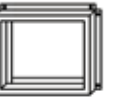
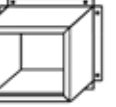






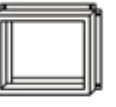





Standard Series Direct Vent (4"/7")

	Description	Order Code
	SNORKEL TERMINATIONS 18" vertical rise 30" vertical rise	SNK47-2 SNK47-3
SNK47-2, SNK47-3	HEAT GUARD Fits all Standard Series (4/7") terminations	MTKOG
	HEAT SHIELDS Through-the-wall Radiation Shield for 4"/7" venting Vinyl Siding Shield Recommended for protecting vinyl siding <small>(above was Discontinued Replace with VSS)</small> Vinyl Siding Shield Recommended for protecting vinyl siding	RHS100 RHS105 VSS
MTKOG	VERTICAL INSTALLATION ACCESSORIES	
	7" Firestop 7" Support plate & support ring 7" Support plate & support ring (Bulk pack of 6)	FS7 MSPXT7 MSP706
FS-7 (7" Firestop)	Flashing and storm collar for 1/12 to 7/12 pitch roof Flashing and storm collar for 1/12 to 7/12 pitch roof (Bulk pack of 6)	MRF7 MRF706
	Flashing and storm collar for 7/12 to 12/12 pitch roof Flashing and storm collar for 7/12 to 12/12 pitch roof (Bulk pack of 6)	MRF-12 MRF1206
MSPXT-7(7" Support Plate)	Horizontal Vent Restrictors For 8' - 14' horizontal vent run For 15' - 24" horizontal vent run For 25' - 35' horizontal vent run Vent restrictors may not be required. Contact the factory for more information.	MHVR8 MHVR15 MHVR25
	Vertical Vent Restrictors For 8' - 14' vertical vent run For 15' - 24" vertical vent run For 25' or greater vertical vent run Vent restrictors may not be required. Contact the factory for more information.	MVVR8 MVVR15 MVVR25
MRF-7, MRF-12	MOBILE HOME KITS	
	Wall Penetration Kit (For 2 x 4 Construction) Kit includes wall shield and 4" termination. Suitable for all corner installations & straight through the wall installations with 2 x 4 construction.	WPKMH4
	Wall Penetration Kit (For 2 x 6 Construction) Kit includes wall shield and 5" termination.	WPKMH6









Premium Series Direct Vent (5”/8”)

	Description	Order Code
HORIZONTAL TERMINATIONS		
	3” Termination with no mounting frame (male connector) (use with MSR or MOSR).	PTO3
	3” Termination & mounting frame (male connector)	PTO3F
VERTICAL TERMINATION		
	Termination for vertical installations (male connector) Includes PXT-10 adaptor (for straight, vertical installations).	PVTK1
VENT PIPES		
Note: For all Rear Vent applications with no vertical rise, there is a maximum horizontal run of 20”.		
Extensions		
	5” rigid section (female/female connectors)	PXT5
	10” rigid section (female/female)	PXT10
	20” rigid section (female/female)	PXT20
	12” rigid section (female/male connectors)	PEXT1
	24” rigid section (female/male)	PEXT2
	36” rigid section (female/male)	PEXT3
	48” rigid section (female/male)	PEXT4
	72” rigid section (female/male)	PEXT6
Flex Sections		
	12” flex section (female/female connectors)	PFL1
	18” flex section (female/female)	PFL18
	24” flex section (female/female)	PFL2
	36” flex section (female/female)	PFL3
	48” flex section (female/female)	PFL4
Elbows		
	45° elbow (female/male connectors)	PEL45FM
	90° elbow (female/female connectors)	PEL90F/F
	90° elbow (male/male)	PEL90M/M
	90° elbow (female/male)	PEL90F/M
	Clearance Reducing Sleeve	CRS30
Vent Connector		
	4” length vent connector (male/male connectors)	PVA
Vertical Vent Reducer		
	10” length, reduces vertical 5”/8” venting to 4”/7” (male/female connectors)	PVA5487
TERMINATION FRAMES		
	Siding or Stucco Frame Used for easy installation of termination.	MSR
	Siding or Stucco Can Used to provide installation of termination from the inside of the building.	MOSR
	Brick Siding Can Used for installation of termination on brick wall.	BSR-4
	4” depth	BSR-4
	6” depth	BSR-6



Premium Series Direct Vent (5"/8")

	Description	Order Code
	SNORKEL TERMINATIONS 18" vertical rise 30" vertical rise	SNK58-2 SNK58-3
SNK47-2, SNK47-3	INSULATED OFFSET BOX M38DV-ST offset box. Used only on the M38DV-ST when a shelf or T.V. stand is required above the fireplace	DVSTCNT
	HEAT GUARD Fits all Premium Series (5"/8" dia.) terminations	PTKOG
DVST-CNT (Insulated Offset Box)	HEAT SHIELDS Through-the-wall Radiation Shield for 5"/8" venting Vinyl Siding Shield Recommended for protecting vinyl siding Discontinued Replace with VSS Vinyl Siding Shield Recommended for protecting vinyl siding	RHS101 RHS105 VSS
 PTKOG	VERTICAL INSTALLATION ACCESSORIES 8" Firestop 8" Support plate & support ring 8" Support plate & support ring (Bulk pack of 6) Flashing and storm collar for 1/12 to 7/12 pitch roof Flashing and storm collar for 1/12 to 7/12 pitch roof (Bulk pack of 6) Flashing and storm collar for 7/12 to 12/12 pitch roof Flashing and storm collar for 7/12 to 12/12 pitch roof (Bulk pack of 6)	PS8 PSPXT-8 PSP806 PRF7 PRF706 PRF12 PRF1206
 PS-8 (8" Firestop)	Horizontal Vent Restrictors For 8' - 14' horizontal vent run For 15' - 24" horizontal vent run For 25' - 35' horizontal vent run Vent restrictors may not be required. Contact the factory for more information.	PHVR8 PHVR15 PHVR25
 PSPXT-8 (8" Support Plate)	Vertical Vent Restrictors For 8' - 14' vertical vent run For 15' - 24" vertical vent run For 25' or greater vertical vent run Vent restrictors may not be required. Contact the factory for more information.	PVVR8 PVVR15 PVVR25
 PRF-7, PRF-12		

This appliance must not be connected to a chimney flue serving a separate solid fuel burning appliance.

HB35

Venting with 8" x 5" Pipe

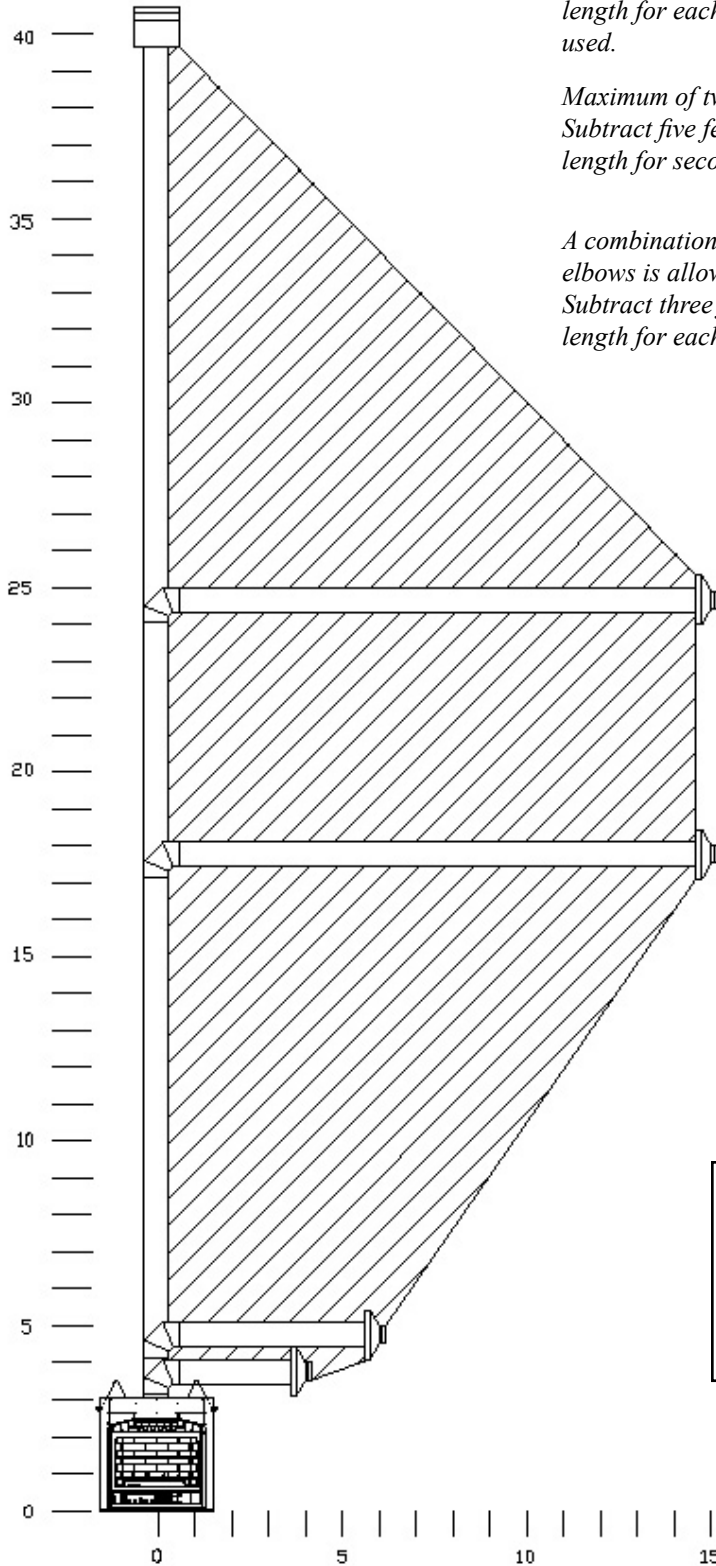
*Maximum of four 45° elbows allowed.
Subtract three feet of total horizontal pipe length for each of the 3rd and 4th 45° elbows used.*



*Maximum of two 90° elbows allowed.
Subtract five feet of total horizontal pipe length for second elbow.*



*A combination of one 90° elbow and two 45° elbows is allowed.
Subtract three feet of total horizontal pipe length for each 45° elbow used.*



Vent termination must remain within the shaded area regardless of configuration.

Venting clearance to combustibles must be at least 1 inch. Follow vent manufacturer's instructions.

It is recommended to use 6 5/8 x 4 inch vent with the adaptor if the vertical height off the top of the fireplace is more than one foot. This reduces venting costs.

HB35

Venting with 6 5/8" x 4" Pipe

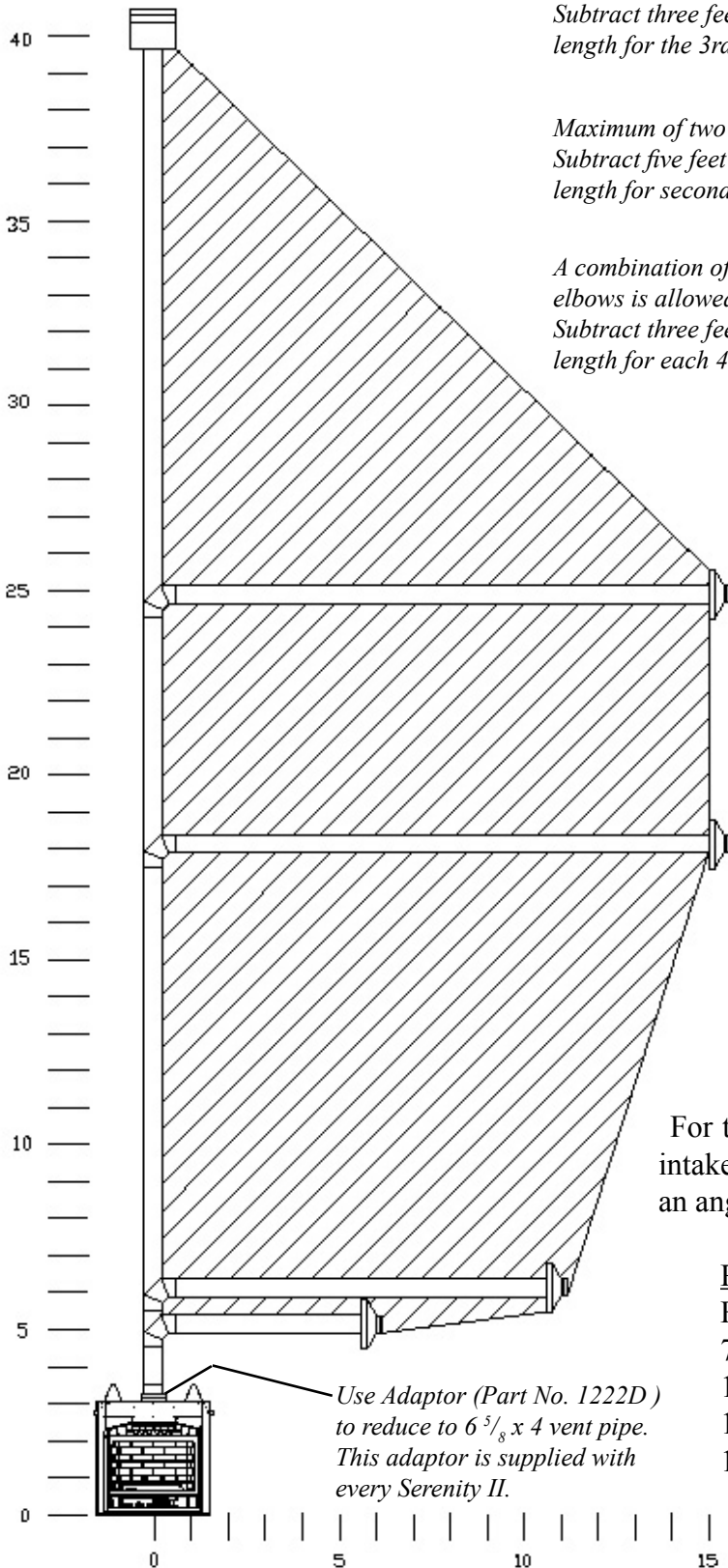
Maximum of four 45° elbows allowed.
 Subtract three feet of total horizontal pipe length for the 3rd and 4th 45° elbow used.



Maximum of two 90° elbows allowed.
 Subtract five feet of total horizontal pipe length for second elbow.



A combination of one 90° elbow and two 45° elbows is allowed.
 Subtract three feet of total horizontal pipe length for each 45° elbow used.



Venting clearance to combustibles must be at least 1 inch. Follow vent manufacturer's instructions.

Vent termination must remain within the shaded area regardless of configuration.

For the Serenity Direct Vent Fireplace, the vent/air intake termination clearances above the high side of an angled roof are as follows:

Roof Pitch	Feet	Meters
Flat to 6/12	1	.30
7/12 to 9/12	2	.61
10/12 to 12/12	4	1.2
13/12 to 16/12	6	1.8
17/12 to 21/12	8	2.44

Requirements for Terminating the Venting

WARNING: Venting terminals must not be recessed into a wall or siding.

In addition, the following must be observed:

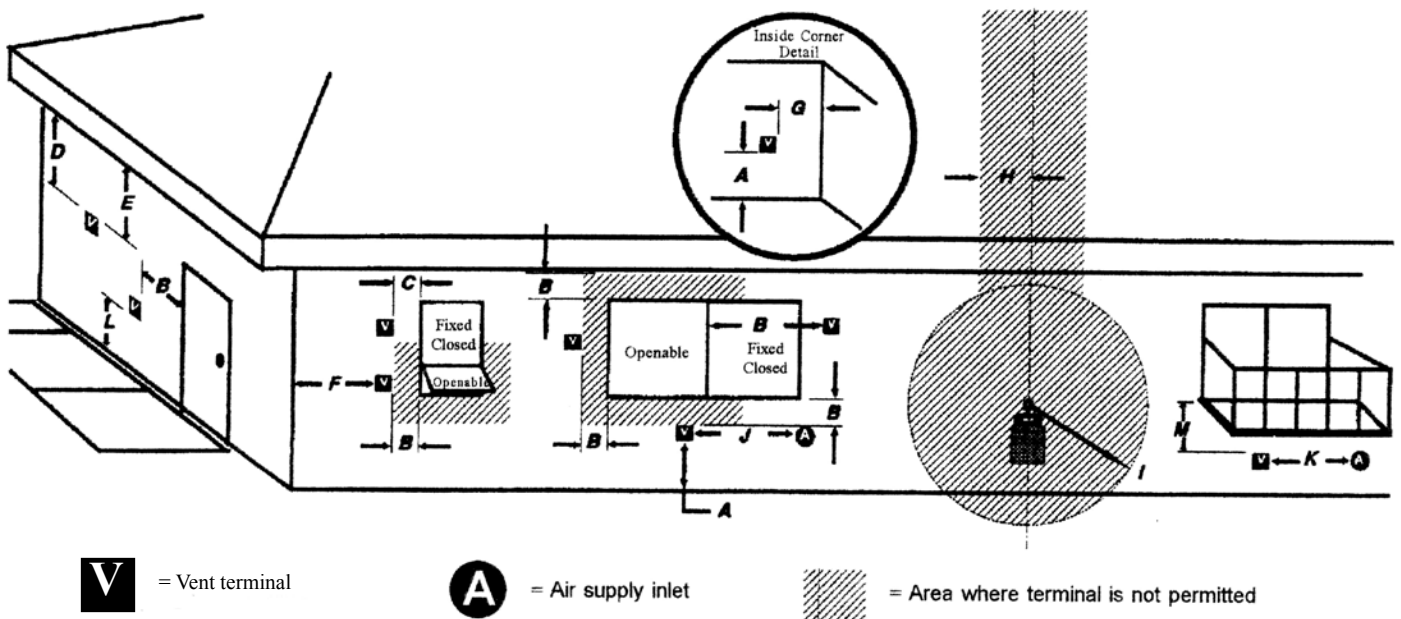
- A. The clearance above grade, or a veranda, porch, deck or balcony must be a minimum of 12" (30 cm).¹
- B. The clearance to a window or door that may be opened must be a minimum of 12" (30 cm).¹
- C. A 12" (30 cm) clearance to a permanently closed window is recommended to prevent condensation on the window.
- D. The vertical clearance to a ventilated soffit located above the terminal within a horizontal distance of 2 feet (60 cm) from the center-line of the terminal must be a minimum of 18" (46 cm).
- E. The clearance to an unventilated soffit must be a minimum of 12" (30 cm).
- F. The clearance to an outside corner is 11" from center of pipe.
- G. The clearance to an inside corner is 12" (30 cm).
- H. A vent must not be installed within 3 feet (90 cm) above a meter/regulator assembly when measured from the horizontal center-line of the regulator.¹

- I. The clearance to service regulator vent outlet must be a minimum of 6 feet (1.8 m).¹
- J. The clearance to a non-mechanical air supply inlet to the building or the combustion air inlet to any other appliance must be a minimum of 12 inches (30 cm).¹
- K. The clearance to a mechanical air supply inlet must be a minimum of 6 feet (1.8 m).¹
- L. The clearance above a paved sidewalk or a paved driveway located on public property must be a minimum of 7 feet (2.1 m).^{1,2}
- M. The clearance under a veranda, porch, deck or balcony must be a minimum of 12 inches (30 cm).^{1,3}

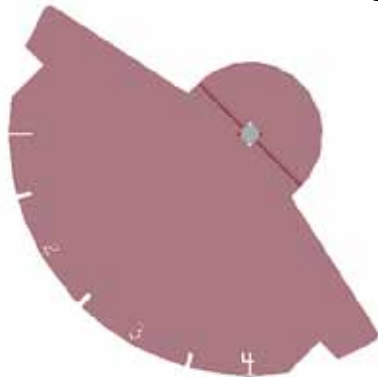
¹As specified in CAN 1 B1-149 Installation Codes (current edition). Note: Local codes or regulations may require different clearances.

²A vent shall not terminate directly above a side-walk or paved driveway which is located between two single family dwellings and serves both dwellings.

³Only permitted if veranda, porch, deck, or balcony is fully open on a minimum of 2 sides beneath the floor.



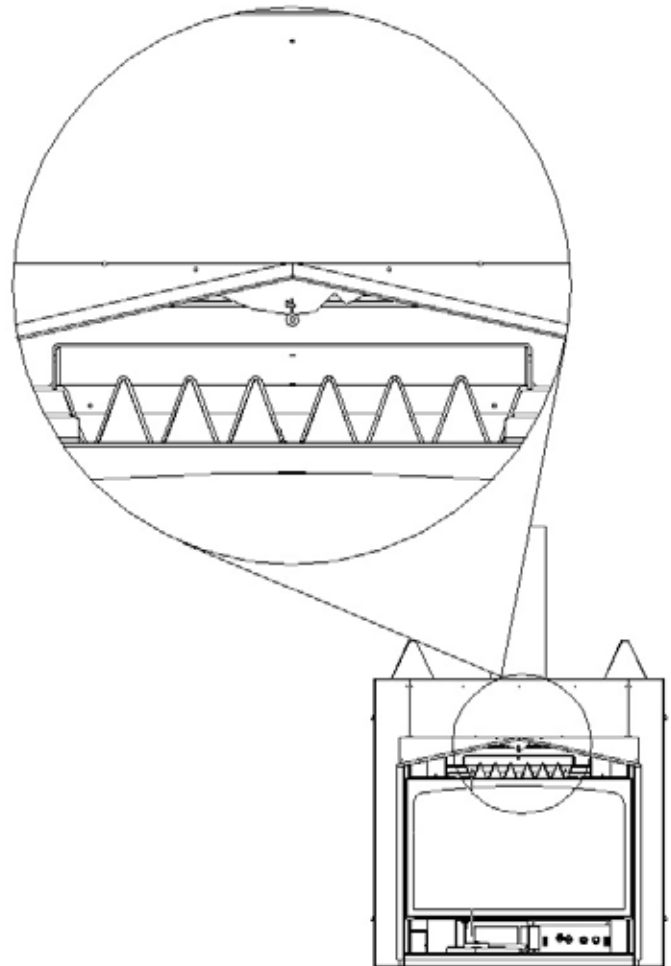
Damper Settings



Maximum Draft



Minimum Draft



A vent damper is provided to allow fine tuning of the draft. Too little draft will cause flames to be too long with black tips and too much draft will cause flames to be short and blue.

To adjust the damper, burn the unit on high for 10 minutes or more. Adjust the vent damper to a position in the ranges listed below that produces the most desirable flame pattern. Note: 1 is less draft and 4 is maximum draft. Restrictor plates may be installed if the desired flame height can not be reached with the damper in the #1 position.

**Range Of Approved Damper Settings
For 6 5/8" X 4" Vent**

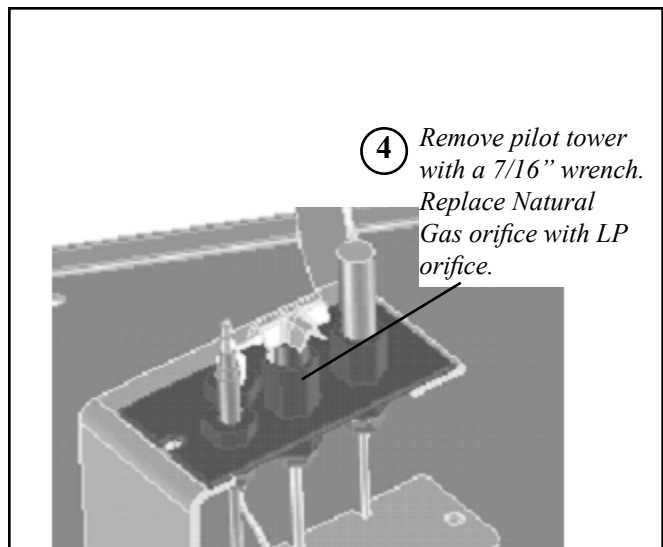
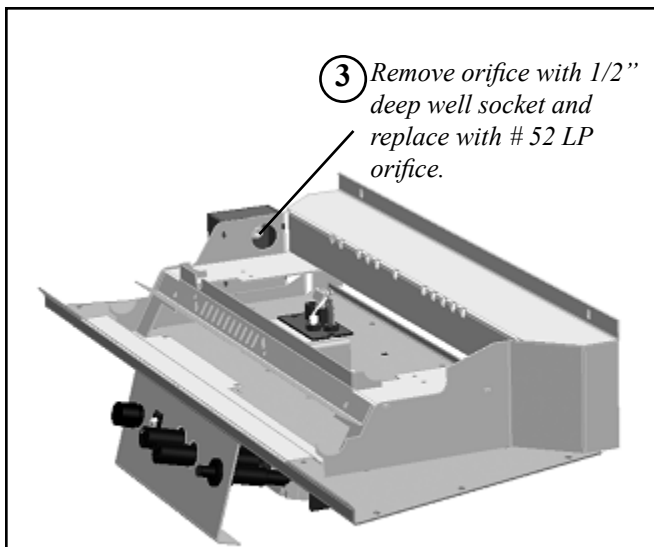
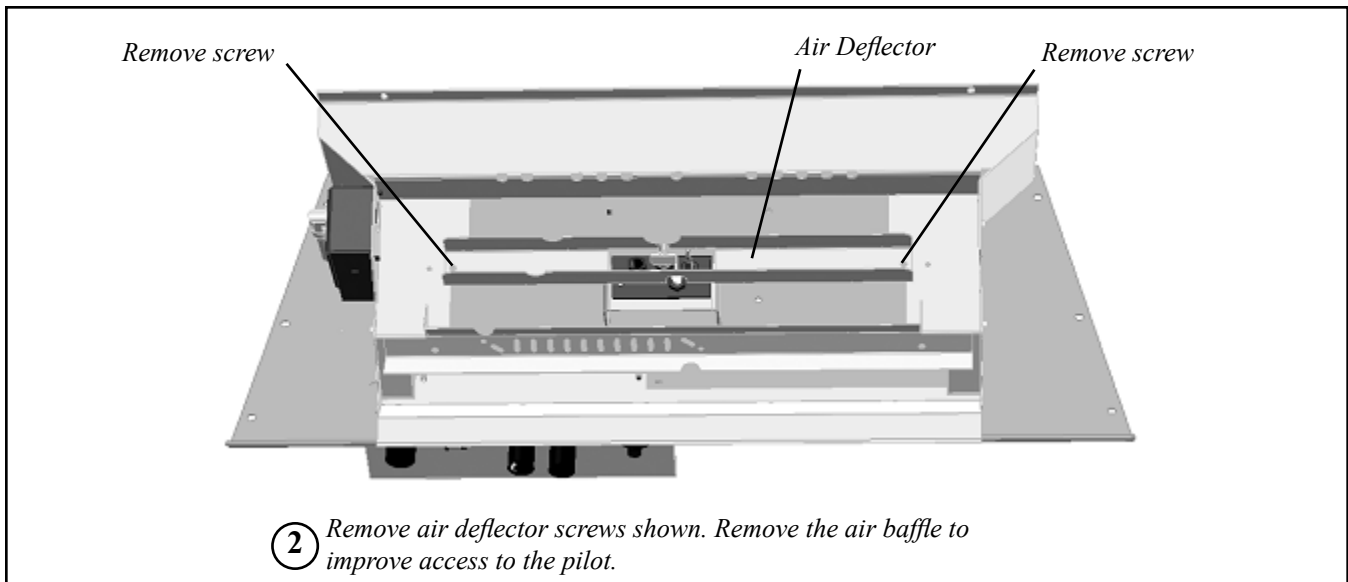
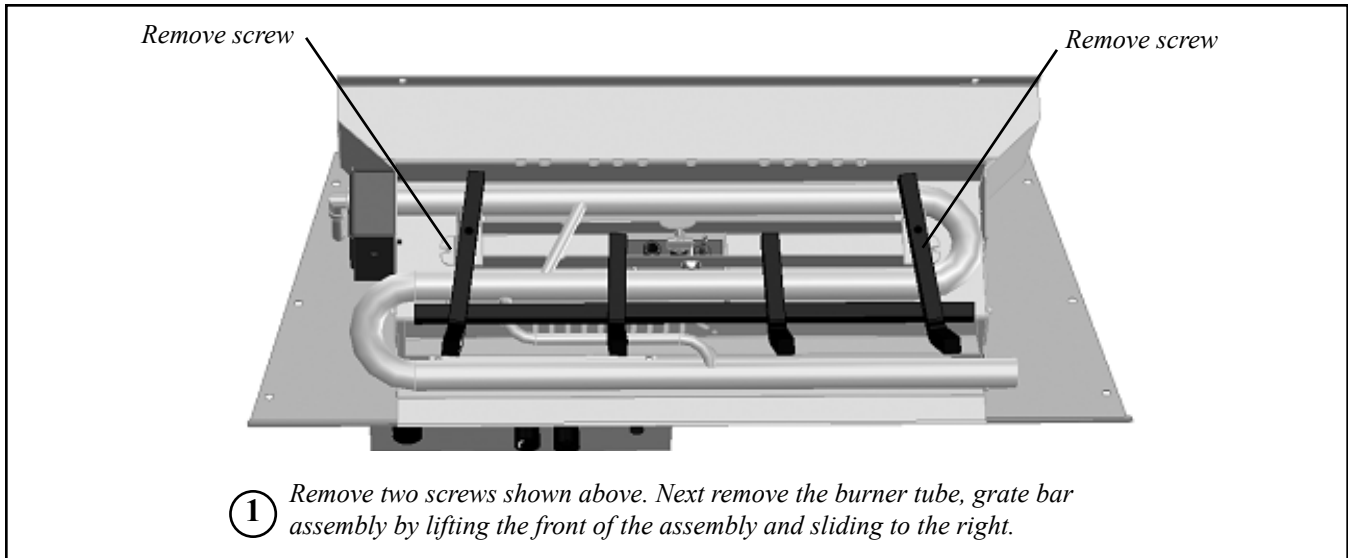
	Natural Gas	Propane
6 feet	2 to 4	2 to 4
12 feet	2 to 4	2 to 4
24 feet	1 to 2	1 to 2
36 feet	1	1

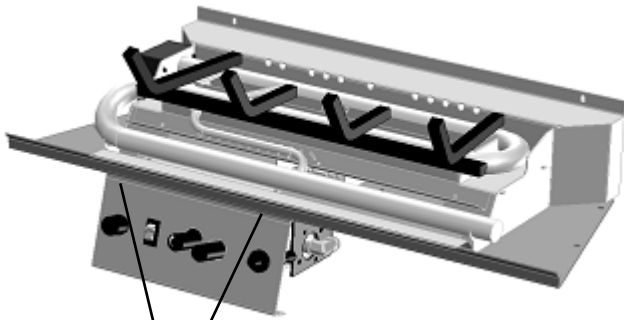
**Range Of Approved Damper Settings
For 8" X 5" Vent**

	Natural Gas	Propane
1 foot	1 to 4	1 to 4


It is recommended to use 6 5/8 x 4 inch vent with the adaptor if the vertical height off the top of the fireplace is more than one foot. This reduces venting costs.

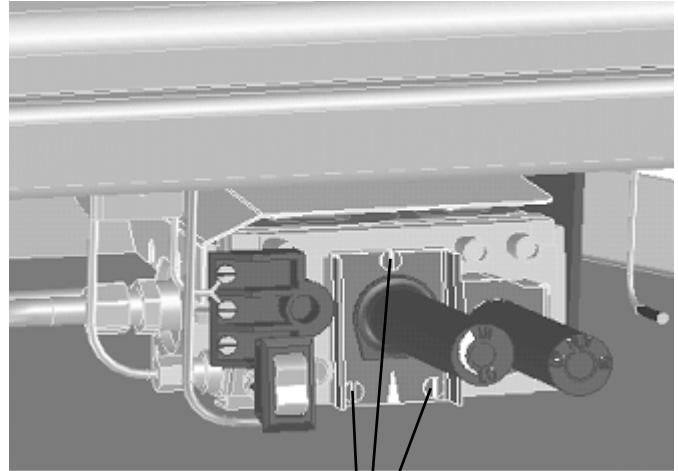
Changing to LP





5 Remove two screws and place Control Panel to the left.

6  Read instructions packed with LP Change-over Kit.



7 Remove three screws to change knob assembly. Install LP knob assembly in place of the NG assembly. Be sure screws are tight.

8 Place conversion sticker (provided in Kit) on bottom of valve. This is to permanently mark the valve that it has been converted to LP. This label is important in the event that the valve is ever removed and mixed in with other valves.

LP Conversion Kit



LP Conversion Instructions



LP Pilot Orifice



LP Orifice #52



LP Conversion label



LP Valve Conversion Module

HB-35 LP Kit; Part No. 1-00-09001

These kits are only for use in the Serenity II fireplaces.

NATURAL GAS

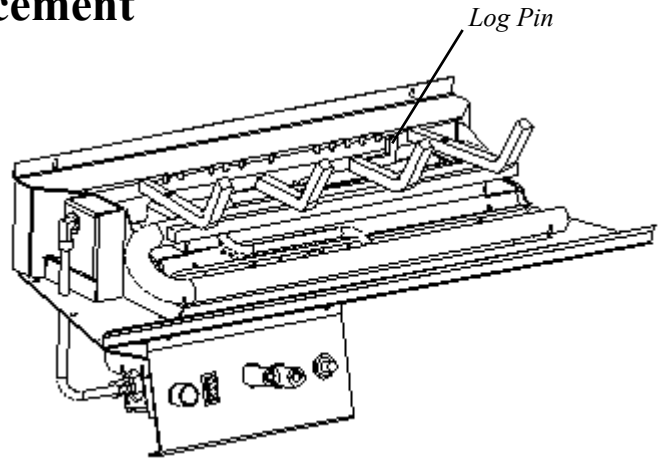
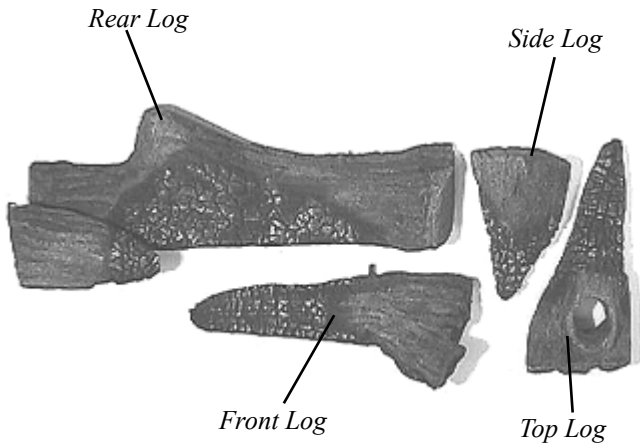
PROPANE

9 Mark the proper box on the control panel with a permanent marker. Note: **If no conversion is made, the box for the proper fuel must still be marked.**

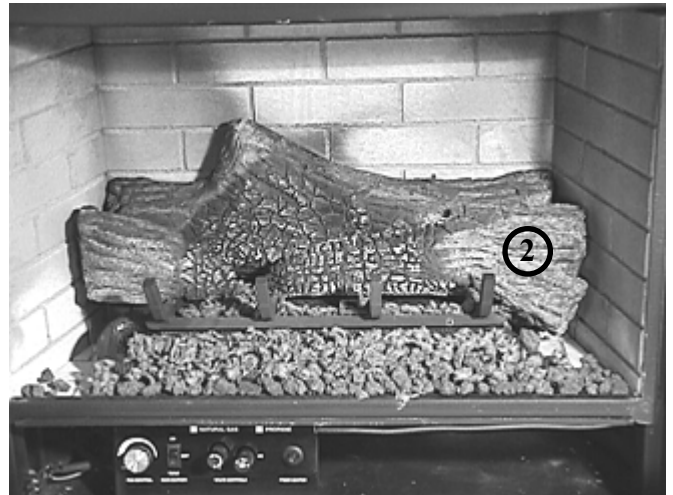
10 Verify gas inlet and manifold pressures are within the specifications on the appliance data plate located inside the bottom of the unit.

Note: The higher the orifice number, the smaller the hole in the tip. For example, a number 52 orifice has a larger hole than a number 60 orifice.

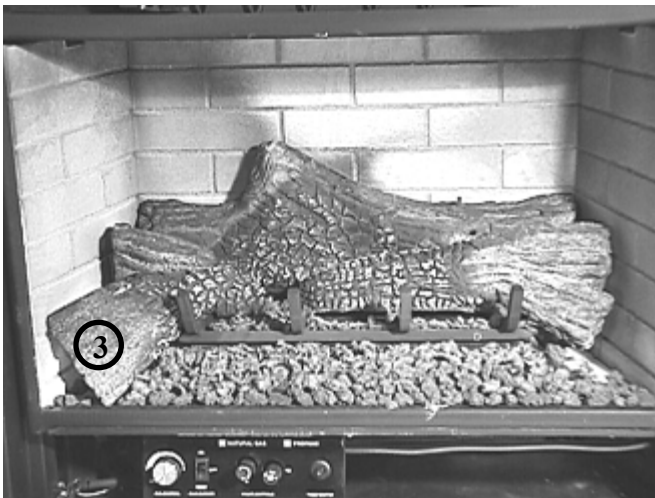
Log Placement



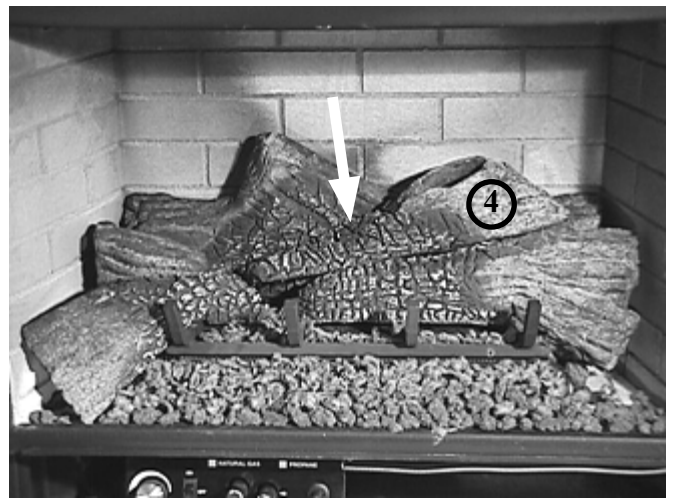
Place the rear log in the center and against the brick at the rear of the firebox.



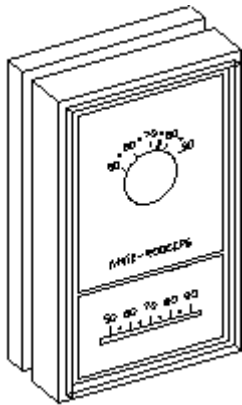
Place the front log down over the pin shown above. Slide the right side to the rear until it hits the rear log.



Place the side log as shown with the notch in the log behind the angled grate bar.



Find the two holes in the bottom of the top log. Place the log down over the pins on top of the front and rear logs. Make sure there is about a pencil width of space between the top and rear logs in the area shown.



Thermostat
Part # 3-20-12080

Connecting the Optional Thermostat

If the optional thermostat is used, it must be plugged into the terminal strip located in the lower left front corner of the heater.

When installing a millivolt control system, use only a special low resistance thermostat. **DO NOT USE A REGULAR HEATING THERMOSTAT.**

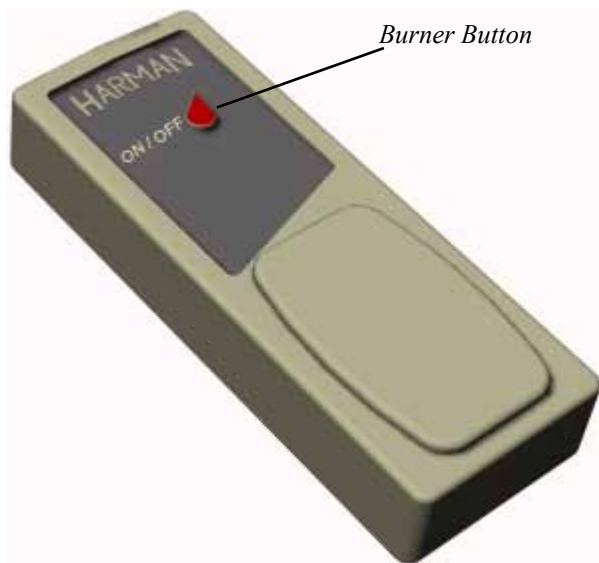
Be sure that all electrical connections are clean, free from corrosion, and tight. Inspect connections periodically to confirm that no corrosion has built up over time.

When properly installed and maintained, a millivolt control system should give many years of trouble-free service.

It is important to use the proper gauge wire for the length used.

RECOMMENDED WIRE GAUGES

<i>Maximum Length</i>	<i>Wire Gauge</i>
100'	14
60'	16
40'	18
25'	20
15'	22



Part # 1-00-7911

Remote Control

The button on the remote control can be used to turn the burner on and off.

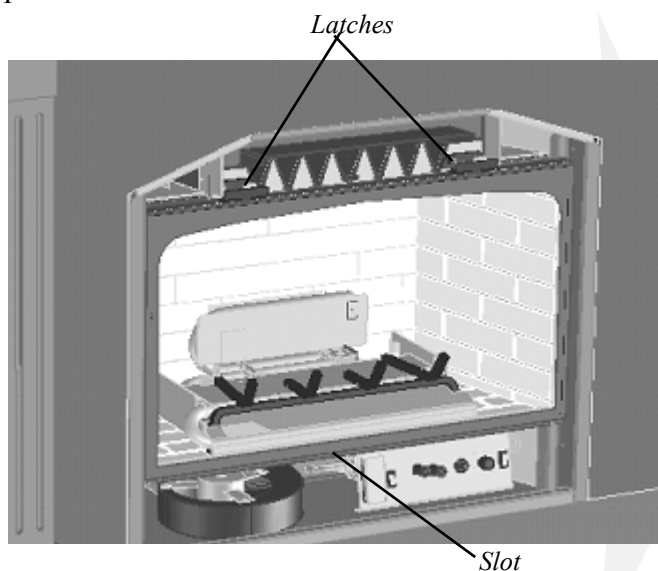
This remote uses an ultrasonic control method and does not need to be pointed directly at the fireplace.

A hand held sending unit, receiving unit, mounting bracket and all wiring are included when you order the remote control.

Installation instructions are packed with the remote control kit.

A qualified service person recommended by your Harman dealer should conduct an annual inspection and maintenance of your fireplace, its venting, and the installation to keep it running safely and efficiently. The following procedures should be performed only by a qualified service person. The gas supply should be turned off whenever a maintenance procedure is performed.

If the glass front, or front access door are removed for servicing, they must be replaced prior to operating the fireplace.



WARNING: DO NOT OPERATE THIS APPLIANCE WITH THE GLASS FRONT REMOVED, CRACKED OR BROKEN. REPLACEMENT OF GLASS SHOULD BE DONE BY A LICENSED OR QUALIFIED SERVICE PERSON. NEVER USE SUBSTITUTE MATERIALS.

DO NOT STRIKE OR SLAM GLASS

Removing the Glass Front

If the fireplace has an arch face, remove the face as described on page 13.

If the fireplace has a Victorian face, open the bottom and top doors.

Lift the latches shown above with the handle provided with your fireplace and tilt the glass out at the top and lift it up out of the groove at the bottom. Handle the glass with care.

Replacing the Gasket

The Serenity uses part no. 3-44-00539 fiberglass gasket in the front door. Should it ever need replacement, use only the proper replacement gasket that is available from your Harman dealer. To replace the gasket, follow this procedure.

1. Lay glass front face down.
2. Bend the four tabs up far enough to remove the glass.
3. Remove glass from frame. Discard gasket.
4. Install new gasket around glass (thick side toward stove).
5. Place glass back in frame.
6. Bend tabs to secure glass. Not too tight.
7. Reinstall glass door by placing the flange on the bottom of the door into the groove on the bottom of the fireplace opening. Next lift the latches and push the door against the unit. Pull the spring loaded latches front until the tabs drop into the slots on the door frame.

Cleaning the Glass

The glass may be cleaned with ordinary household glass cleaner and a soft cloth or paper towel.

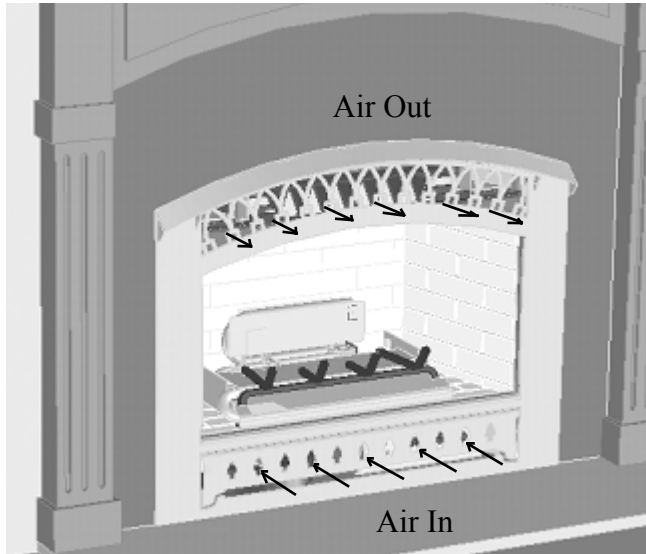
WARNING: Never clean the glass when it is hot. Do not use abrasive cleaners on the glass.

Inspecting the Venting

An inspection of both the inner and outer pipes of the venting system should be made during the annual service appointment. They must have no blockage and be in good repair. The vent manufacturer's instructions may provide specific suggestions or details on vent inspection. Any sections that are taken apart for the inspection must be reassembled and sealed as required.

Cleaning the Log Set and Firebox

During the annual inspection and maintenance appointment, the service person should clean dust, lint, and any light accumulation from the logs and the firebox area. An extra-soft brush should be used on the logs as they are extremely fragile; a vacuum cleaner may be used on the firebox. If at any time the logs cannot be removed or installed without forcing, the cause must be found. The logs must never be forced.



The flow of combustion and ventilation air must not be obstructed

Air Flow

It is essential that air flows freely into the bottom grill and out of the top grill. Do not place objects in front of the grills.

Check blower annually for buildup caused by dust and pet hair.

Cleaning the Burners

To clean the burners, the face, glass front, and logs must be removed. Remove the burner assembly as described on page 20. Remove the front burner from the grate assembly by loosening the clamping plate on the bottom.

With the burner removed, inspect all of the holes to make sure they are unobstructed. Use a small drill or wire to clean any obstructed holes. Remove any rust or other buildup that may have accumulated.

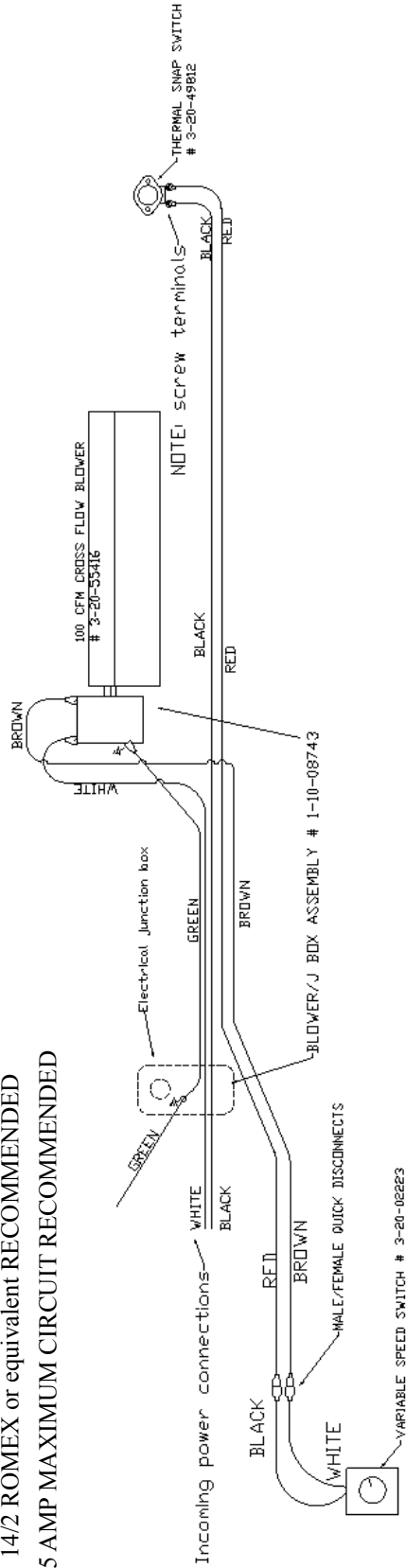
Replace burner in reverse order.

The appliance should be inspected before use and at least annually by a qualified service person. More frequent cleaning may be required due to excessive lint from carpeting, bedding material, etc. It is imperative that control compartments, burners and circulating air passageways of the appliance be kept clean.

“If the vent/air intake system is disassembled for any reason, reinstall per the instructions provided for the initial installation.”

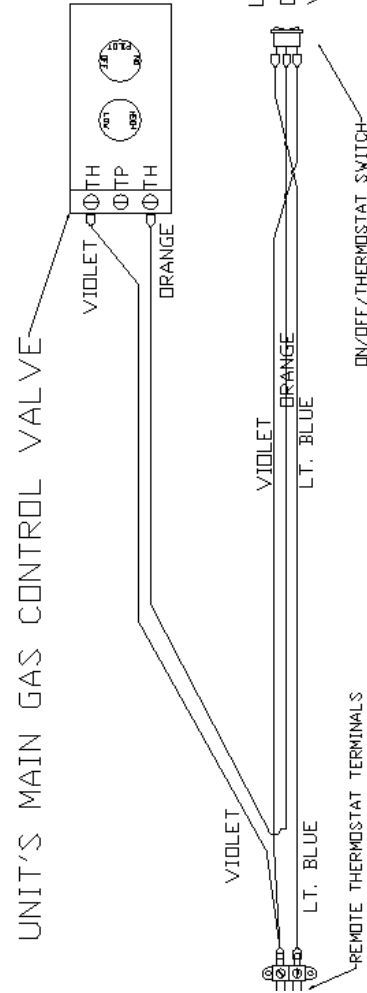
Wiring Diagram

POWER SUPPLY TO UNIT
 14/2 ROMEX or equivalent RECOMMENDED
 15 AMP MAXIMUM CIRCUIT RECOMMENDED



HIGH VOLTAGE (120 V.A.C.)
 50 WATTS - .4 AMPS

“Caution: Label all wires prior to disconnection when servicing controls. Wiring errors can cause improper and dangerous operation. Verify proper operation after servicing”.



LOW VOLTAGE (Gas Valve millivolt)

Listed Direct Vent Gas Fireplace Heater
Radiateur Ventilé



Model: Serenity II HB 35DV

WHI #

Homologue Pour Le Canada

Do not remove or cover this label.

Not for use with solid fuel. Not for use with air filters

Ne doit pas être utilisé avec un combustible solide.

Also for use in mobile (manufactured) homes after home is sited.

Tested to ANSI Z21.88-2002 / CSA2.33-M02. CAN-CGA-2.17-M91

For use with natural gas and propane. A conversion kit, as supplied by the manufacturer, shall be used to convert this room heater to the alternate fuel.

Pour utilisation, avec le gaz naturel et le propane. Une trousse de conversion fournie par le fabricant doit être utilisée pour passer d'un combustible à l'autre.

RATINGS

	NATURAL	PROPANE
Input Rating (Btu/hr)(0-4500 ft.)(0-1375 m)	31000	31000
Min. Input Rating (Btu/hr)(0-4500 ft.)(0-1375 m)	21000	21000
Orifices (DMS)(0-4500 ft.)(0-1375 m)	36	52
Manifold Pressure (in w.c./kPa)	3.5/.87	10.0/2.49
Min. Manifold Pressure (in w.c./kPa)	1.8/.45	5.6/1.4
Min. Inlet Pressure (in w.c./kPa)	5.0/1.25	11.0/2.74
Max. Output (Btu/hr)(0-4500 ft.)(0-1375 m) (Blower Off)	24025	23637

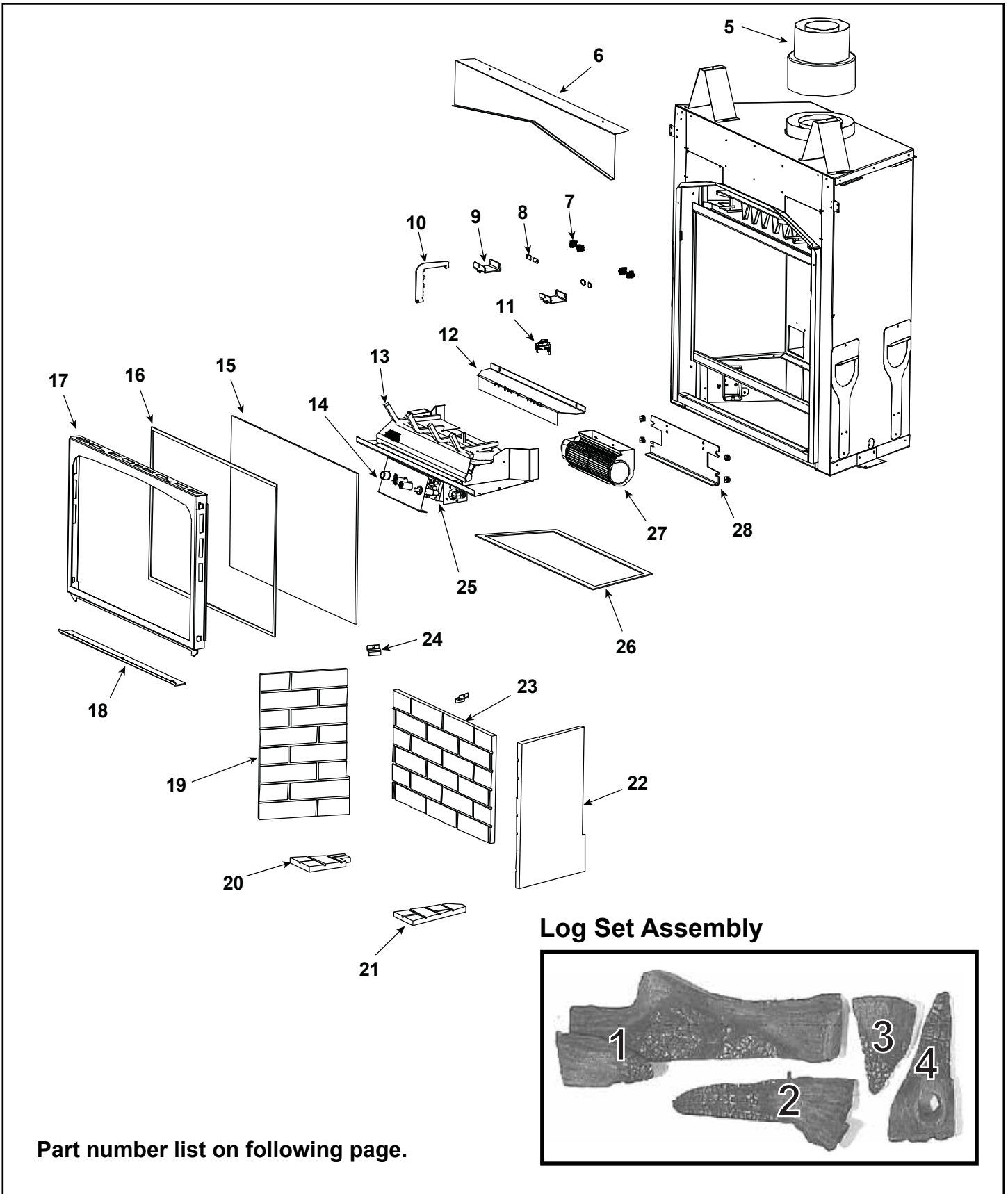
MINIMUM CLEARANCES FROM COMBUSTIBLE CONSTRUCTION

Unit to floor	0 in.
Face to side wall	7 in.
Unit to top stand-offs	0 in.
Unit to side stand-offs	0 in.
Unit to rear stand-offs	0 in.
Top of Glass to 8" Mantel	24 in.
Electrical Rating: 120 Volts, 60 Hz, >.5 AMP	

A LABEL ON THE BURNER SYSTEM MODULE STATES THE FUEL FOR WHICH THE HEATER IS EQUIPPED.

Manufactured by Harman Stove Company
 352 Mountain House Road, Halifax, PA 17032

1-70-09000 (Top Vent)



Part number list on following page.

IMPORTANT: THIS IS DATED INFORMATION. When requesting service or replacement parts for your appliance please provide model number and serial number. All parts listed in this manual may be ordered from an authorized dealer.

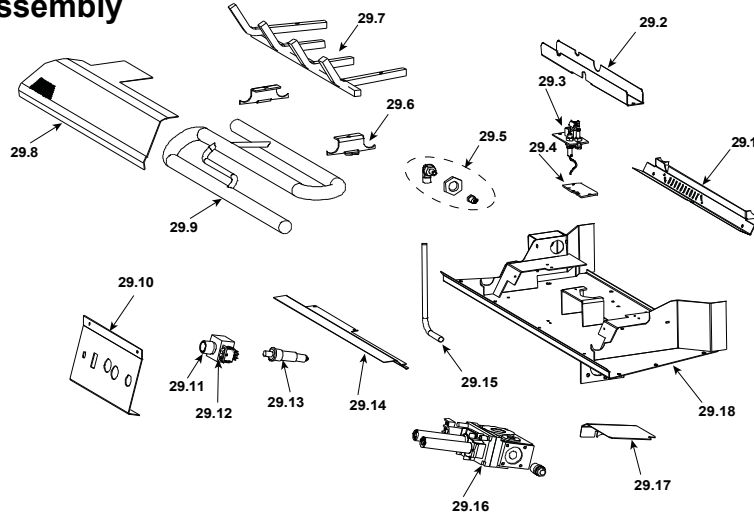


**Stocked
at Depot**

ITEM	DESCRIPTION	COMMENTS	PART NUMBER	
1	Rear log		3-40-09206	
2	Front log		3-40-09207	
3	Left Side log		3-40-09208	
4	Knothole log		3-40-09209	
5	Adapter 6-5/8" to 8"		3-40-12223	
6	Drywall Shelf	No longer available	1-00-4235181	
7	Compression Springs 2"	No longer available	3-31-71596	
8	Spring Clips	Qty 4 req	2-00-4238164	
9	Spring Clamps	No longer available	2-00-4235139	
10	Spring clamp handle		2-00-4235249	
11	Snap disc control (opens - 115/closes - 130)		3-20-49812	Y
12	Intake Cover	No longer available	2-00-4235138	
13	Grate Assembly	No longer available	1-10-4235140	
14	Control Panel Assembly	No longer available	1-10-4235130	
15	Glass Rect 18.5 x 28.9		3-40-18502900	Y
16	Gasket Tadpole		1-00-00539	Y
17	Glass Frame	No longer available	2-00-4235121	
18	Glass Clip	No longer available	2-00-4235122	
19	Brick panel, left side		3-40-09202	
20	Brick panel, left bottom		3-40-09204	
21	Brick panel, right bottom		3-40-09205	
22	Brick panel, right side		3-40-09203	
23	Rear brick panel		3-40-09201	
24	Brick Panel Clips	Qty 2 req	2-00-4238167	
25	Valve assembly - NG		1-10-4235125	
26	Gasket, Flat 3/16 x 5/8	10 Ft	1-00-08792	
27	Ac crossflow blower		3-21-55416	Y
28	Blower Mounting Plate	No longer available	2-00-4235131	

Additional service part numbers appear on following page.

#29 Burner Module Assembly



IMPORTANT: THIS IS DATED INFORMATION. When requesting service or replacement parts for your appliance please provide model number and serial number. All parts listed in this manual may be ordered from an authorized dealer.



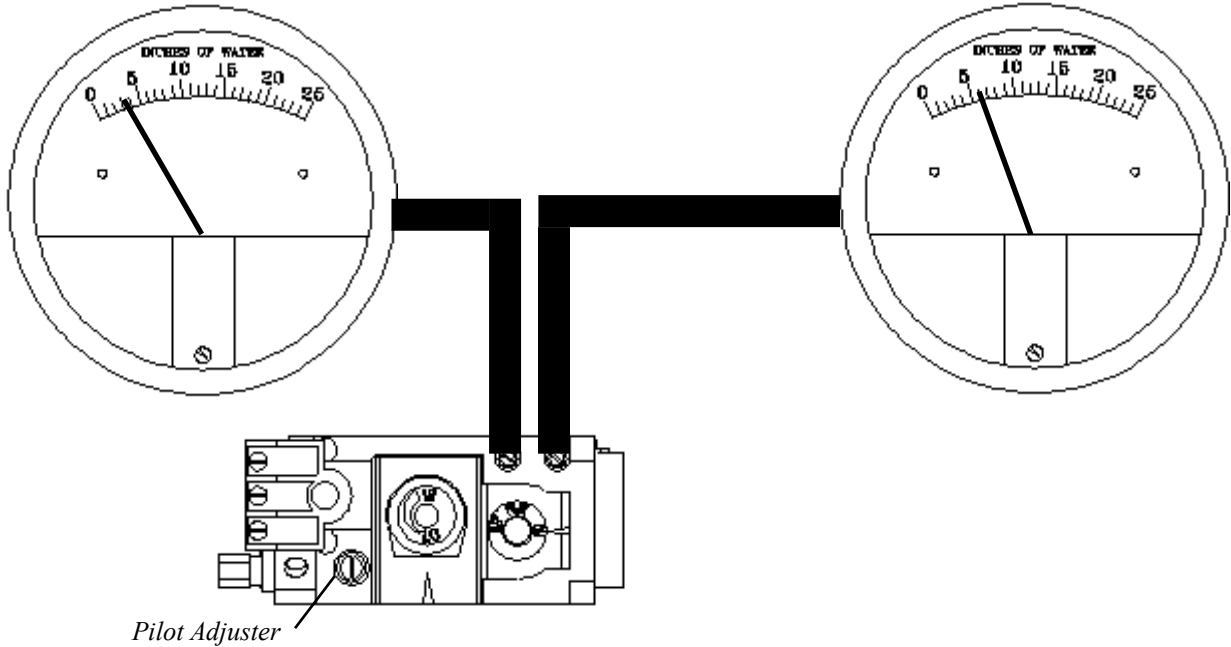
**Stocked
at Depot**

ITEM	DESCRIPTION	COMMENTS	PART NUMBER	
29.1	Mid Air Diverter	No longer available	2-00-4235143	
29.2	Rear Air Diverter		2-00-4235144B	
29.3	Pilot Assembly - LP		3-40-08715	Y
	Pilot Assembly - NG		3-40-08714	Y
	Thermocouple - For use with PSE pilots		3-40-08906	Y
	Thermocouple - For use with S.I.T. pilots		3-40-08228	Y
	Thermopile - For use with PSE or S.I.T. pilots		3-20-08219	Y
29.4	Cover - Pilot opening		2-00-4238230	
29.5	Female thread orifice - #36 - NG		3-40-08767	Y
29.6	Tube Support	No longer available	2-00-4235140	
29.7	Grate Weldment	No longer available	1-10-4235148	
29.8	Burner screen		2-00-4235165	
29.9	Burner Tube		3-40-09216	
29.10	Control Panel	No longer available	2-00-4235130	
29.11	Variable speed control		3-20-02223	
29.12	Rocker switch, 3 Position		3-20-08221A	Y
29.13	Piezo (igniter) w/nut (knob/actuator)		3-40-08220	Y
29.14	Front Air Diverter	No longer available	2-00-4235142	
29.15	Aluminum Tube, 90 degree, 3/8"		2-00-09211	
29.16	Valve 820 Nova - LP		3-40-82057	Y
	Valve 820 Nova - NG		3-40-820628	Y
29.17	Valve Heat Shield		2-00-4235217	
29.18	Valve Body Weldment		1-10-4235135W	
	Screw- HCS 5mm x 8mm	Pkg of 50	3-30-1000-50	Y
	Brass Male Compression Fitting		3-31-08284	

Natural Gas

**Manifold Pressure
3.5 inches**

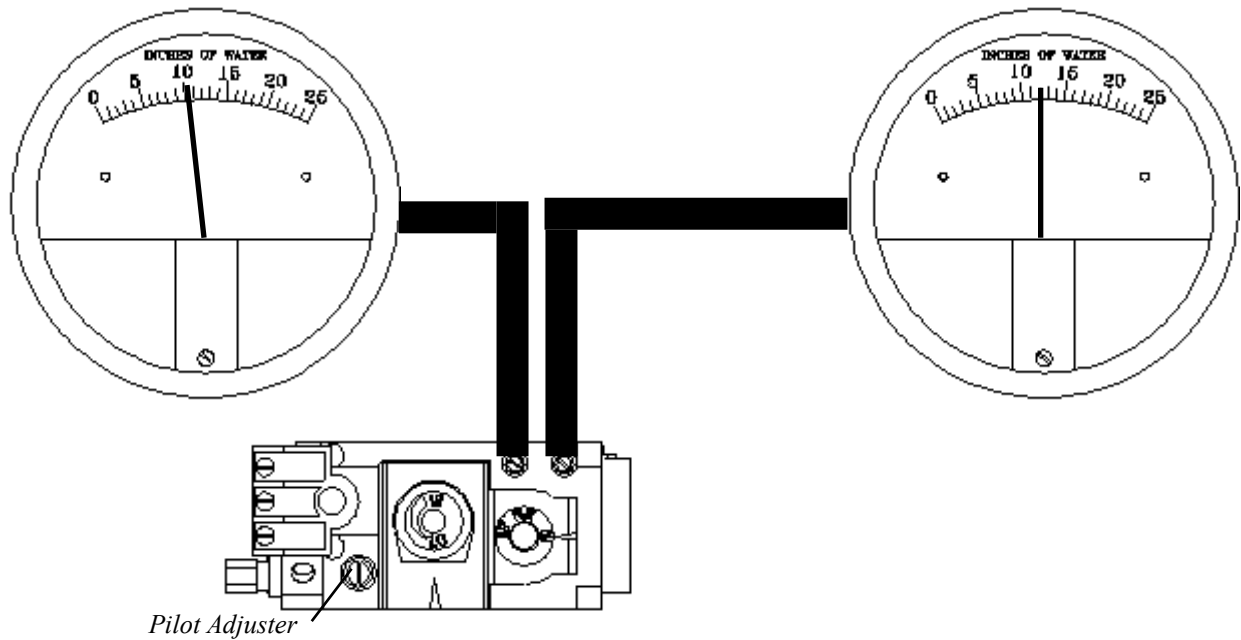
**Inlet Pressure
5 to 7 inches**

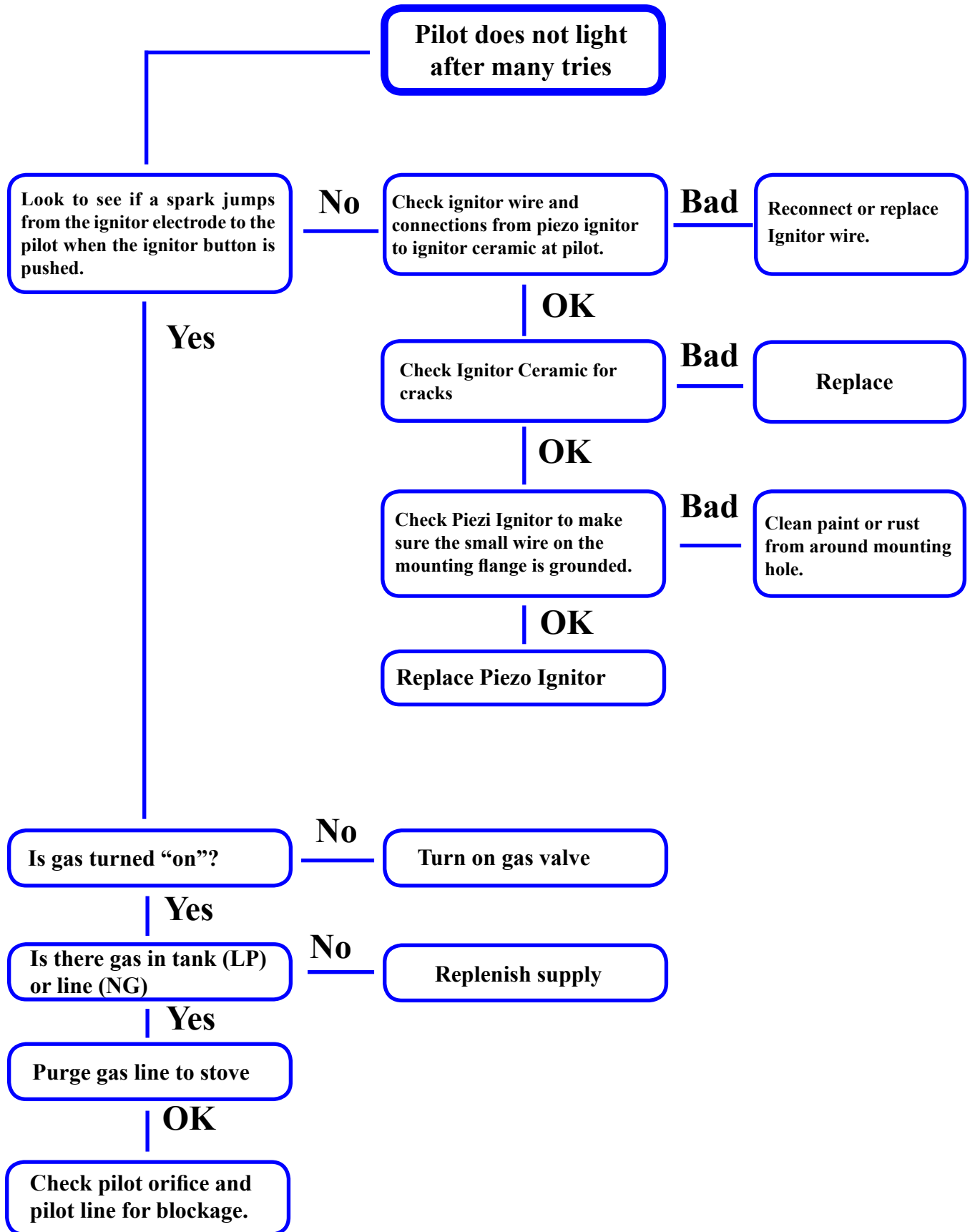


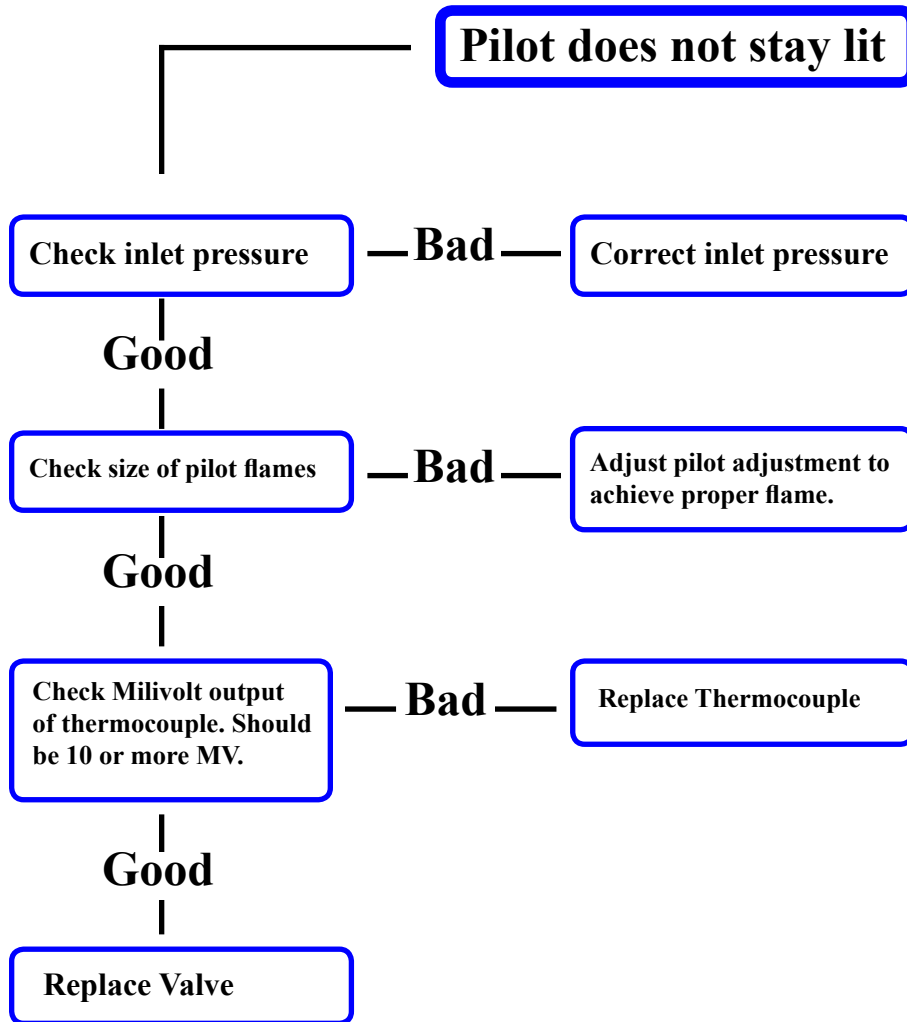
Propane

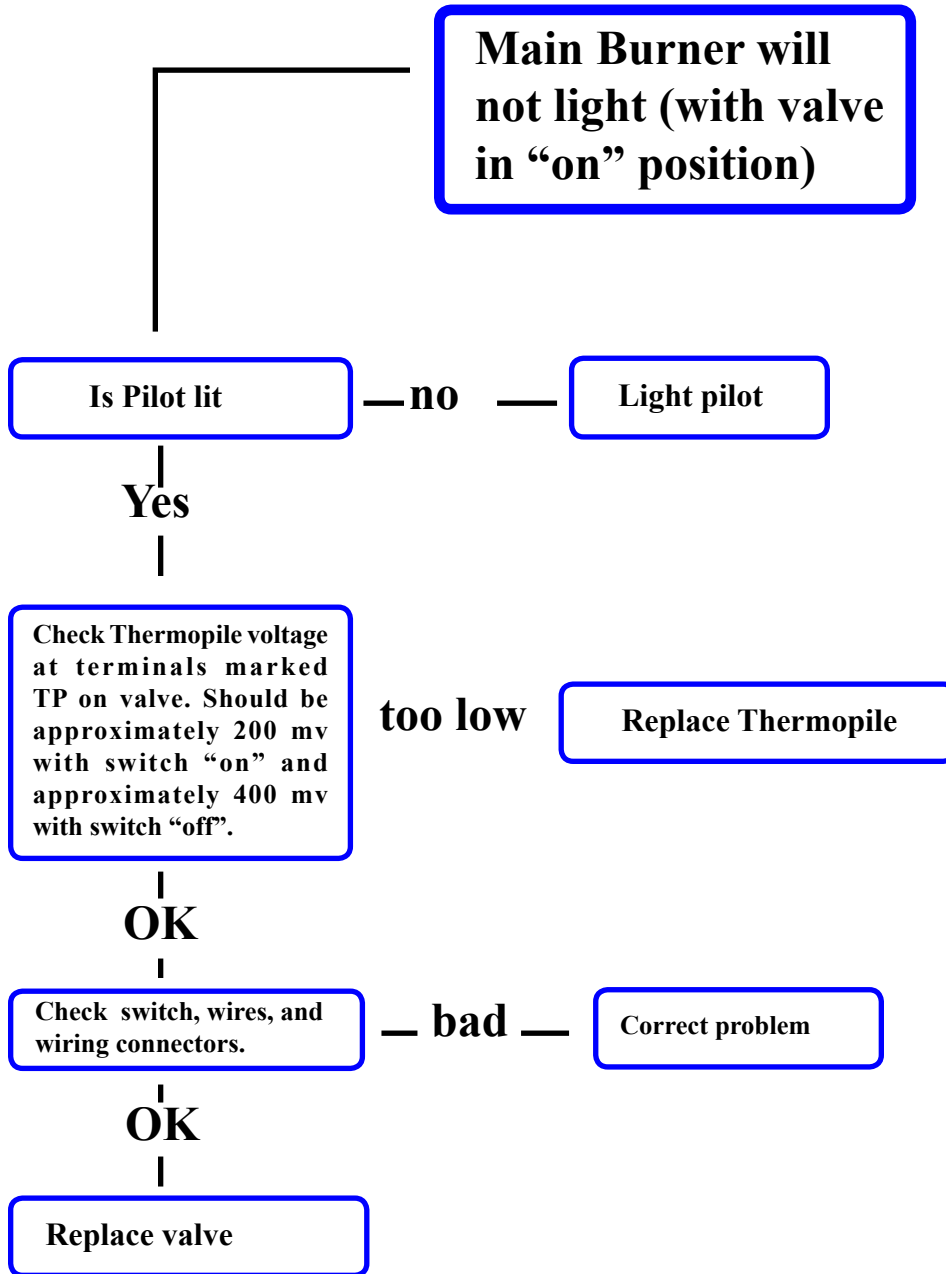
**Manifold Pressure
10 inches**

**Inlet Pressure 11
to 13 inches**











Harman Built Fireplaces warrants its products to be free from defects in material or workmanship, in normal use and service, for a period of 6 years from the date of sales invoice, and for mechanical and electrical failures, in normal use and service, for a period of 3 years from the date of sales invoice.

If defective in material or workmanship, during the warranty period, Harman Built Fireplaces will, at its option, repair or replace the product as described below.

The firebox and heat exchanger have a lifetime warranty.

The warranty above constitutes the entire warranty with respect to Harman Built Fireplaces products. HARMAN BUILT FIREPLACES MAKES NO OTHER WARRANTY, EXPRESSED OR IMPLIED, INCLUDING "ANY" WARRANTY OF MERCHANTABILITY, OR WARRANTY OF FITNESS FOR A PARTICULAR PURPOSE. No employee, agent, dealer, or other person is authorized to give any warranty on behalf of Harman Built Fireplaces. This warranty does not apply if the product has been altered in any way after leaving the factory. Harman Built Fireplaces and its agents assume no liability for "resultant damages of any kind" arising from the use of its products. In addition, the manufacturer and its warranty administrator shall be held free and harmless from liability from damage to property related to the operation, proper or improper, of the equipment.

THERE ARE NO WARRANTIES WHICH EXTEND BEYOND THE DESCRIPTION ON THE FACE HEREOF. THESE WARRANTIES APPLY only if the device is installed and operated as recommended in the owner's manual. THESE WARRANTIES WILL NOT APPLY if abuse, accident, improper installation, negligence, or use beyond rated capacity causes damage.

HOW TO MAKE A CLAIM - Any claim under this warranty should be made to the dealer from whom this appliance was purchased. Then contact is made with manufacturer, giving the model and serial numbers, the date of purchase, your dealer's name and address, plus a simple explanation of the nature of the defect. Extra costs such as mileage and overtime are not covered. Nuisance calls are not covered by these warranties.

THIS WARRANTY IS LIMITED TO DEFECTIVE PARTS - REPAIR AND/OR REPLACEMENT AT HARMAN BUILT FIREPLACES' OPTION AND EXCLUDES ANY INCIDENTAL AND CONSEQUENTIAL DAMAGES CONNECTED THEREWITH.

WARRANTY EXCLUSIONS: Failure due, but not limited to, fire, lightning, acts of God, power failures and/or surges, rust, corrosion and venting problems are not covered. Damage and/or repairs to cabinets and all exterior components, including but not limited to, remote controls, filters, fuses, knobs, glass, gaskets, door packing, fire brick or tile, ceramic logs sets, paint, batteries or battery back-up and related duct work are not covered. Additional or unusual utility bills incurred due to any malfunction or defect in equipment and the labor cost of gaining access to or removal of a unit that requires special tools or equipment are not covered. Maintenance needed to keep the unit in "good operating condition" is not covered. This includes, but is not limited to, cleaning, adjustment of customer controls and customer education. Labor, materials, expenses and/or equipment needed to comply with law and/or regulations set forth by any governmental agencies are not covered.

This Warranty provides specific legal rights and the consumer may have other rights that vary from state to state.

In the event of change in ownership, the remaining portion of this warranty may be transferred to the new owner by sending the new owner information and a transfer fee of \$25.00 US to Harman Built Fireplaces.

PLEASE READ THE LITERATURE BY THE MANUFACTURER FOR THE VARIOUS ACCESSORY DEVICES. THE MANUFACTURER WARRANTS THESE ACCESSORY DEVICES, NOT HARMAN BUILT FIREPLACES OR THEIR WARRANTY ADMINISTRATOR. FURTHERMORE, THESE ACCESSORY DEVICES MUST BE INSTALLED AND USED ACCORDING TO THE RECOMMENDATIONS OF THE MANUFACTURER.

REMEDIES - The remedies set forth herein are exclusive and the liability of seller with respect to any contract or sale or anything done in connection therewith, whether in Contract, in tort, under any warranty, or otherwise, shall not, except as herein expressly provided, exceed the price of the equipment or part of which such liability is based.

CLARIFY - The above represents the complete warranty, which is given in connection with fireplaces manufactured by Harman Built Fireplaces. No other commitments, verbal or otherwise, shall apply except by a written addendum to this warranty.