



**Installation and Operator's Manual**  
**SF-150**  
**SF-250**

**CAUTION: Read Warnings and Safety Considerations/  
Recommendations for safe installation & operation.**

**KEEP THESE INSTRUCTIONS**

***“Built to a Standard, Not a Price.”***

# **Thank you . . .**

THANK YOU FOR PURCHASING A HARMAN STOVE AND FOR READING THIS OWNER'S MANUAL. It is our desire to provide as much data as needed to allow you to install and operate your Harman Stove in the safest manner possible.

There are a number of excellent sources on wood heating which you might like to purchase for your home library. These include "The Woodburning Encyclopedia" by Jay W. Shelton; "Wood Heat" by John Vivian; and "The Complete Book of Heating With Wood" by Larry Gay. Local fire departments provide an excellent source of counsel for the novice woodburning customer.

If you have any questions regarding your Harman Stove which were not covered in this manual, contact your local dealer or factory direct.

# Index

## INTRODUCTION

READ ALL INFORMATION “PRIOR” TO PROCEEDING WITH INSTALLATIONS, AND CHECK WITH YOUR LOCAL AUTHORITIES FOR PREVAILING FIRE ORDINANCES AND RECOMMENDATIONS.

1. **SAFETY CONSIDERATIONS** - Warnings to owner/operator of possible dangers, fire hazards and cautions.
  - 1.1 Keep children away -- may cause serious burns.
  - 1.2 Fuel/Firing Warnings
  - 1.3 Curing Paint
  - 1.4 Mobile Homes
2. **ACCESSORIES**
  - 2.1 Heat Collector or Plenum
3. **ASSEMBLY**
4. **CHIMNEY** - Proper draft/venting
  - 4.1 Types of Chimneys
  - 4.2 Common Chimney Problems
  - 4.3 What To Do When You Have A Problem
  - 4.4 Chimney Details
5. **CREOSOTE AND SOOT**
  - 5.1 General And Specific Creosote Maintenance “Warnings”
6. **ELECTRICAL**
  - 6.1 Electrical Warnings
7. **FUEL**
  - 7.1 Firewood and Coal Fuel Information Sheet
8. **GRATES**
  - 8.1 Grate System and Controls
9. **INSTALLATION INSTRUCTIONS**
  - 9.1 Unpacking and Inspection of Parts
  - 9.2 Warnings
  - 9.3 Locating the Stove
  - 9.4 General Information
10. **PREVENTIVE MAINTENANCE INSTRUCTIONS**
  - 10.1 Periodic and Normal Everyday
11. **OPERATING INSTRUCTIONS**
  - 11.1 Starting a Wood Fire
  - 11.2 Starting A Coal Fire
  - 11.3 Loading
  - 11.4 Increase Heat From A Low Fire
  - 11.5 Shaking
  - 11.6 Draft controls
  - 11.7 Secondary Air
  - 11.8 Ashes
  - 11.9 Safety
12. **WARRANTY**
  - 12.1 Terms - Warranty
13. **OPTIONAL HOT WATER COIL**

# 1. Safety Considerations

## **1.1 KEEP CHILDREN AWAY -- MAY CAUSE SERIOUS BURNS**

**CAUTION:** ALL SURFACES OF STOVE ARE HOT. DO NOT TOUCH! KEEP CHILDREN AWAY. SERIOUS BURNS WILL RESULT IF TOUCHED. THIS IS A HEAT PRODUCING APPLIANCE. SERIOUS BURNS MAY RESULT IF THE STOVE IS TOUCHED DURING FIRING.

## **1.2 FUEL/FIRING WARNINGS**

DANGER! FIRE HAZARD! DO NOT USE CHEMICALS OR FLUIDS TO START OR "FRESHEN UP" A FIRE. SEVERE BODY BURNS OR A FIRE IN YOUR HOME COULD RESULT. DO NOT BURN GARBAGE, GASOLINE, THINNERS, DRAIN OR ENGINE OIL, KEROSENE, OR FUEL OIL, ETC. AN EXPLOSION, A HOUSE FIRE OR PERSONAL INJURY COULD RESULT. KEEP ALL SUCH LIQUIDS WELL AWAY FROM THE STOVE WHILE IN USE.

"NEVER" burn materials other than coal or split and dried wood logs. A chimney fire or heat exchanger failure could result. This includes large amounts of corrugated boxes, wood shavings, paper scraps, dried Christmas trees, coke, garbage, tires, or other burnable products.

When and if the chimney pipes or connectors reach 500 degrees fahrenheit (maximum temperature), the stove is being over-fired. We recommend the purchase of a Harman Magnetic Temperature Gauge to monitor the stove and stack temperatures relative to the amount of draft the customer permits the stove to operate.

It has been verified that creosote will ignite at 650 degrees fahrenheit. It is the owner's responsibility to follow these recommendations.

This stove consumes air when it is burning. It is advisable that a window in the vicinity be opened slightly while stove is burning if your house is tightly sealed and insulated. (Information contained in this manual is manufacturer's recommendations and if there is any difference between our recommendations and local code requirements, we suggest following local code requirements.)

## **1.3 Curing Paint**

During the first few hours of burning, a blue smoke will be observed rising from the painted surface of the stove. It is advisable to increase the amount of fresh air in the room during this breaking-in period. This may be achieved by opening doors, windows, etc. Don't be alarmed, this is normal.

## **1.4 Mobile Home**

Harman Stoves are not approved or recommended for mobile homes.

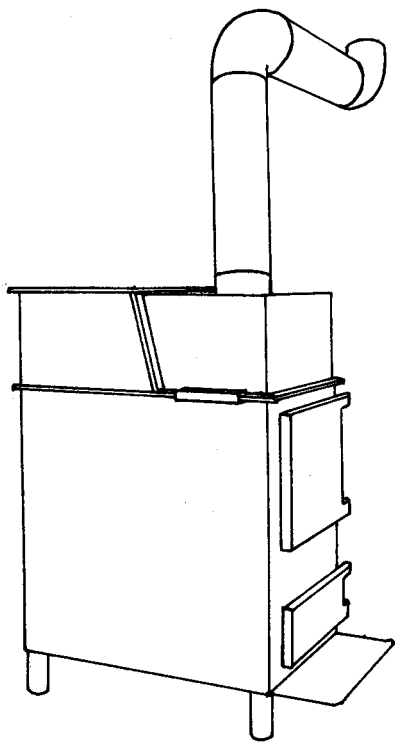
# 2. Accessories

## **2.1 Heat Collector**

Optional Heat Collector can be attached to the top of the stove to direct heat from the spiral chamber and stove top into a duct. **CAUTION:** The duct rising off the heat collector should be kept ten inches away from combustible materials for the first fifteen feet from the stove. This includes floor joists, suspended ceilings, etc. Clearances may be reduced if fireproof material such as asbestos board or sheet metal with air space is used to protect combustibles. The heat collector slides on easily from the front of the unit. (See diagram on following page.)

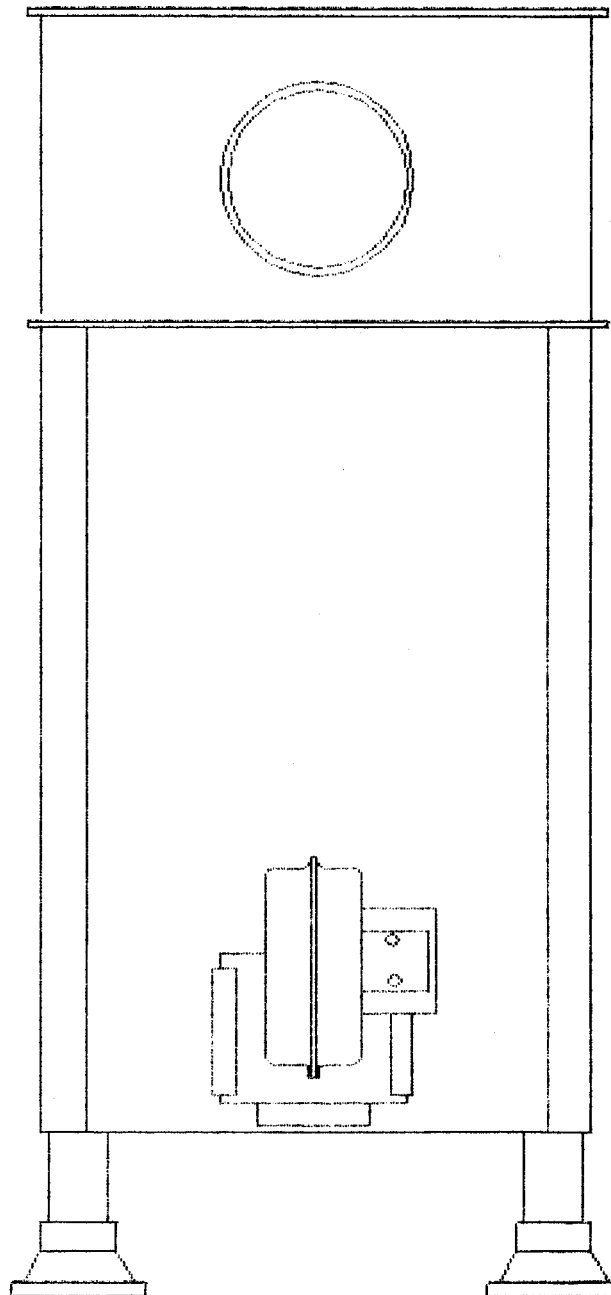
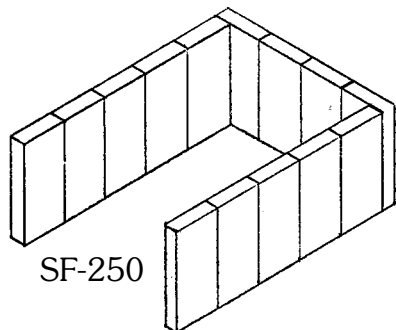
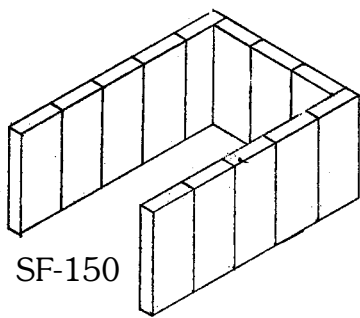
### 3. Assembly

Fasten blower to rear of stove by sliding blower into slots provided.



**Heat Collector Diagram**

**Firebrick Diagram**



# 4. Chimney

## 4.1 Types of Chimneys

The chimney is one of the most important, yet most neglected and misunderstood portion of any solid fuel burning installation. We do not recommend that the stove be connected to a chimney with other heating devices.

THE STOVE MUST BE CONNECTED TO ITS OWN TILE-LINED FLUE. A MINIMUM FLUE SIZE OF 8" X 8" IS NECESSARY FOR PROPER OPERATION AND APPROVED FOR ALL FUELS.

UNDER NO CIRCUMSTANCES SHOULD A MANUAL FLUE DAMPER BE INSTALLED IN THE SMOKE PIPE BETWEEN STOVE AND CHIMNEY!

No damper, heat saver, or automatic vent damper device should be installed in or on the smoke pipe.

NO OTHER APPLIANCES SHOULD BE VENTED TO THIS FLUE!

CAUTION: THE CHIMNEY MUST BE A CLASS "A" CHIMNEY IN GOOD OPERATION CONDITION.

NOTE: THE USE OF ALUMINUM TYPE "B" GAS VENT FOR SOLID FUELS IS UNSAFE AND PROHIBITED BY THE NATIONAL FIRE PROTECTION ASSOCIATION CODE.

There are three types of class "A" chimneys:

A. Masonry with tile liner to include brick or stone. It must be supported on grade level foundation.

B. Insulated Class "A" manufactured chimney, listed or certified by a national test agency.

C. Triple Wall Metal Class "A" chimney, listed or certified by a national test agency.

If your masonry chimney has not been used for some time, have it inspected by a qualified person (building inspector, fire department personnel, etc.). If a listed or certified manufactured chimney is to be used, make certain it is installed in accordance with the manufacturer's instructions and all local and state codes. See Figure No. 1 of Manufactured Chimney Installations and Figure No. 2 of masonry Chimney (note roof clearance) in accordance with NFPA 211.

## 4.2 Common Chimney Problems

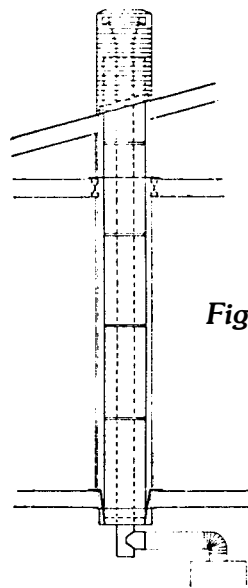


Figure 1

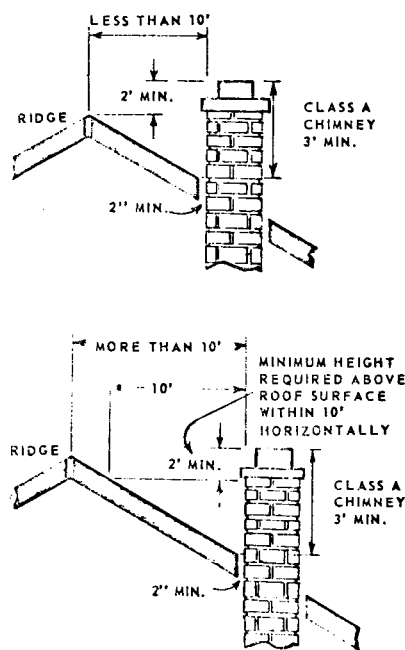


Figure 2

In order to have a proper operating solid fuel heating system, the chimney must be capable of providing the draft required.

The minimum required draft is .06 inches W.C. (water column). This must be measured using a draft gauge.

If the chimney cannot supply this constant draft, the unit will not operate properly.

In some installations, a barometric draft regulator may be used and properly adjusted to compensate for excessive draft.

### **IMPORTANT!**

Whenever you measure the draft, the stove must be operating and sufficient time given for the chimney and stove to warm up. This should take a minimum of thirty minutes.

The draft reading is taken 18" up from the center of the stove flue outlet in the smoke pipe.

REASONS for insufficient draft readings:

A. Leaky Chimney - Air leaking in around a loose fitting clean-out door, flue pipes not tight at the joints, improper plug openings or defective masonry.

B. Chimney Improper Height - Chimney does not extend through the roof to a sufficient height to promote sufficient draft or causes a down drafting condition to take place. (See Figure No. 3)

C. Obstructions in the chimney. Check prior to using by holding a mirror in chimney clean-out door. This will give a view of the chimney.

D. Trees or Other Topographical Barriers - Impeding the chimneys operation or causing a down draft condition to exist. This can also be caused by adjacent buildings or the roof of the same structure where the chimney is not high enough. (See Figure No. 3)

NOTE: The Chimney on the house illustrated is too low. It should be raised to compensate for drafts.

E. Chimney Size - Chimney is not properly sized to adequately vent the appliance. It is either too small or too large.

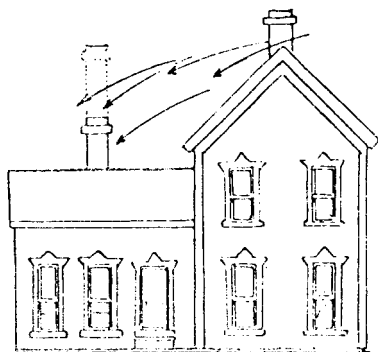


Figure 3

F. Chimney Offsets - Chimneys with offsets should not be used. They cause an obstruction to draft as well as a place for debris to collect.

G. Elbow Restrictions - The flue pipe is connected to the chimney with too many elbows, reducing the draft the chimney can provide.

H. Multiple Venting - No more than one device shall vent into the same chimney flue.

THE MOST IMPORTANT THING TO REMEMBER ABOUT CHIMNEYS IS THEIR NEED FOR MAINTENANCE AND CLEANING. IF CHIMNEYS ARE NOT CLEANED ON A FREQUENT BASIS, IT WILL AFFECT THE DRAFT, AS WELL AS BEING A CONTRIBUTING CAUSE TO A CHIMNEY FIRE.

### CAUTION

ANYTIME YOU HAVE A CHIMNEY FIRE THE FOLLOWING POINTS SHOULD BE OBSERVED:

1. BE SURE EVERYONE IS OUT OF THE HOUSE.
2. CALL THE FIRE DEPARTMENT.
3. CLOSE DOWN DRAFT DAMPER ON STOVE.

AFTER THE FIRE IS EXTINGUISHED, DO NOT USE THE CHIMNEY UNTIL A QUALIFIED PERSON HAS INSPECTED YOUR CHIMNEY.

### 4.3 What To Do When You Have A Problem

#### A. Smoke Puffs From Your Stove:

1. Check the chimney draft. With a good fire burning, the chimney should supply .06" updraft.
2. Check draft controls for proper operation.
3. Check the smoke pipe and be sure it is clean.
4. Chimney may be too low. Increase the height. Make sure the chimney is structurally sound.
5. Add more air to the room. Your home may be so airtight that not enough oxygen is reaching the fire.
6. REMEMBER, open the draft controls and crack the fire door slightly before recharging the fire

chamber or checking the fire.

SPECIAL WARNING: NEVER OPERATE YOUR STOVE WITH THE FIRE OR ASH DOOR OPEN!

7. Check the smoke pipe and make certain each joint is tight and the connections to the stove and chimney are airtight.
8. Check the ashes. Ashpan and fire compartment may be overloaded with ashes.
9. Check type of wood being burned. If too green or wet wood is being used, it may cause excessive smoking and creosote.

10. Check your chimney for down drafts. This is caused by air currents being deflected down the chimney from higher objects, such as trees, building and hills. This problem can usually be corrected with an open-vented chimney cap.

11. Make sure the chimney clean-out door is tightly closed and sealed.

12. If other fuel-burning devices are connected to the chimney they may be causing draft problems. This must be corrected by your heating contractor.

### 4.4 Chimney Details

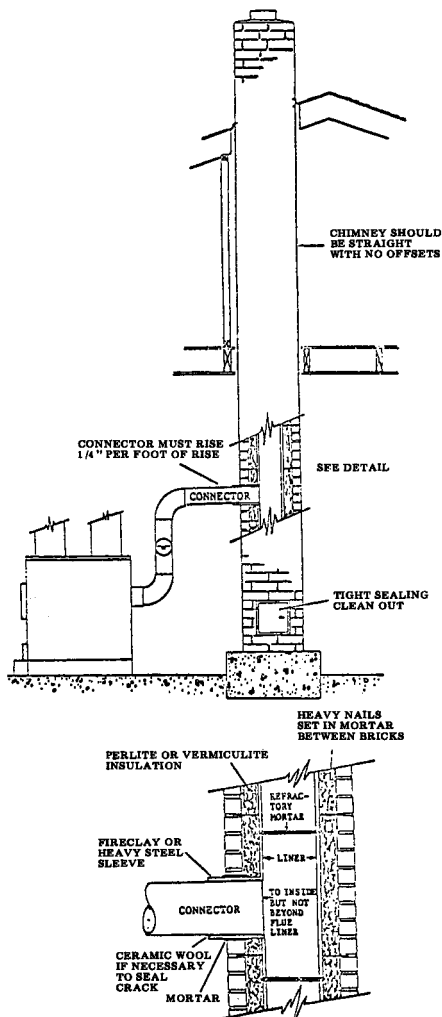
Chimney Liners - Most of the customer inquiries received are problems caused by poor, or in some cases, excessive draft. A result of poor draft could be creosote, back-puffing, and smoky firebox when loading. Indications of excessive draft are burning too much fuel and high stack temperatures.

## RECOMMENDED SIZING CHIMNEY FLUE LINERS

FURNACE COLLAR				CHIMNEY LINER			
DIAMETER	AREA (SQ. IN.)	ROUND ID	SQ. OR RECT.	INSIDE DIMENSION (APPROX.)	AREA (SQ. IN.)	EQUIV. DIA	
6"	28.3	6"-7"	8" x 8"	6 1/2" x 6 1/2"	42.7	7.4"	
7"	38.3	7"-8"	8" x 8"	6 1/2" x 6 1/2"	42.7	7.4"	
8"	50.3	8"-9"	8" x 12"	6 1/2" x 10 1/2"	63.6	9"	

The most common cause of poor draft is an improperly sized flue liner. We recommend that the chimney liner's inside dimensions be at least as large as the appliance's collar size and no larger than 125% of the collar for a round flue. For instance, an 8" furnace collar is 50 square inches; increased by 25% would be 63 square inches, or approximately a 9" round flue. In general for round liners we recommend that they not be increased more than 1" from that of the Harman's collar size. The reason for the above is that Harman appliances are designed to produce the maximum amount of heat per amount of fuel burned. As a result, the flue gas temperature is lower than for some similar equipment.

TO SUMMARIZE, A HEATING UNIT CAN PERFORM ONLY AS WELL AS ITS VENTING SYSTEM WILL ALLOW IT.



## 5. Creosote and Soot

### 5.1 General and Specific Creosote Maintenance Warnings

One of the most critical aspects of operating a woodburning stove is the control of creosote and soot. This is especially important when there is a low demand for heat, such as in the fall or spring. A good understanding of the causes and cures for excess creosote or soot formation is essential to the operation of the stove.

Your stove and for that matter, all types and makes of woodburning equipment will give trouble with creosote deposits under certain conditions. You should be aware of these conditions and avoid them.

When wood is burned slowly, it produces acetic and other pyrolyganeous acids that combine with expelled moisture to form creosote. Highly combustible in its solid and semi-liquid states, creosote is present in the gases given off by burning wood. Creosote may build to a considerable thickness on the interior surface of the chimney and stove pipe subsequently reducing draft. A SERIOUS FIRE MAY BE IGNITED IF A SUFFICIENT CREOSOTE BUILDUP IS PERMITTED.

Creosote condenses from the flue gases more quickly when the temperature of those gases is low. The actual amount of creosote deposited depends on (1) the amount of moisture in the flue gases, (2) the temperature of the stack, (3) the rate at which the wood is burned, (4) the amount of draft in the stack, and (5) how completely the combustible elements in the flue gases have been burned in the combustion chamber. Most problems with creosote are due to insufficiently dry wood, poor chimneys with low draft and cold

walls, and/or a low rate of burning when little heat is required during the spring and fall months.

Moisture in the Flue Gases May Be Controlled by:

- A. Using properly seasoned firewood.
- B. Mixing small pieces with every full load.
- C. Never using only large (usually less dry) wood during mild weather when combustion is relatively slow.

The Temperature in the Stack May be Controlled by:

- A. Using as short a length of stovepipe as possible between the stove and the chimney.
- B. Using an insulated flue pipe to connect the stove to the chimney.

The Amount of Draft in the Stack May be controlled by:

- A. Having as few bends as possible.
- B. Insuring adequate chimney height and preventing air leaks.
- C. Eliminating external obstructions in the chimney outlet.
- D. Having only one appliance per flue.

### **CAUTION! OWNER'S RESPONSIBILITY**

YOU MUST CHECK YOUR CHIMNEY FLUE PIPE CONNECTOR FREQUENTLY WHEN FIRST STARTING TO BURN WOOD TO DETERMINE THE AMOUNT OF CHIMNEY MAINTENANCE (CLEANING) THAT WILL BE REQUIRED. THIS OF COURSE, IS ALSO DEPENDENT ON WOOD TYPE, MOISTURE, AND IN GENERAL, HOW THE STOVE IS USED.

The chimney connector and chimney should be inspected at least twice monthly during the heating season to determine if a creosote



build-up has occurred.

If creosote has accumulated, it should be removed to reduce the risk of a chimney fire.

If an over-fire situation should occur, be sure ash door and fire door are closed.

In the event of a soot fire, call your fire department immediately, and make sure the ash door, fire door and drafts are closed.

## 6. Electrical

### 6.1 Warnings

Turn off electric power at fuse box or circuit breaker panel before making any line voltage connections. Follow local electrical codes. Be sure to route power so that it doesn't come in contact with the stove.

**IMPORTANT!** ALL WIRING SHOULD BE DONE IN ACCORDANCE WITH LOCAL AND STATE CODES.

## 7. Fuel

### 7.1 Firewood and Coal Fuel Information Sheet

The energy content of most hardwoods, and all but a few softwoods, is generally estimated to be around 8,6000 BTU's per pound at zero percent moisture content. This, however, would not be a practical value to use in the calculation of fuel needed to meet a given heat load. All the BTU's available in wood are not generated as usable, sensible heat. Much of this heat is dependent on the appliance's efficiency and is required in the venting system to generate a draft. Also, firewood is not available at zero percent moisture. Well seasoned, sheltered wood contains an approximate minimum moisture of 20%, where the same

wood left to the elements may have a moisture content as high as 80%.

One cubic foot of hardwood weighs about 45 pounds. One cubic foot of water weighs 62.5 pounds, and the amount of energy required to evaporate only one pound of this water is over 1,000 BTU's. If the same cubic foot of hardwood has a moisture content of 80%, it would weigh approximately 80 pounds, and the energy lost in boiling off this moisture could theoretically be as high as 35,000 BTU's, not to mention a sore back from carrying the soggy stuff.

In summary, burn only well-seasoned dry wood. Wood must not only be of a reasonable quality and seasoned, but to get its maximum heat energy output, it must be dry.

Seasoning - unseasoned (green) wood, when used as fuel, offers many potential problems. It is of course much heavier than seasoned wood because of its high moisture content. When burned, it loses much of its heat value in boiling off this moisture. It is difficult to ignite and is sometimes hard to keep burning. But its major evil is creosote, as will be discussed in the next section. Seasoning is easy! The cutting, stacking, and putting it under cover is the hard part; but once this is done, just leave it alone. leave it alone for at least one year -- better two. If wood is cut in the dead of winter, little seasoning takes place until the temperature rises above freezing. If the wood is stored unprotected, minimal seasoning can occur. Moisture from high humidity, rain, snow, dew, etc., will be absorbed into the wood and then must be evaporated before the seasoning process can begin again. If you live in an area where the winters are long and hard, you can expect your wood to take longer to season than wood stored in a more temperate climate. However, as wood is susceptible rot, it can be

stored too long. Rotten wood contains less heat energy than good wood, so the more advanced the rotting, the less BTU's can be derived from the fuel.

Choosing a kind of firewood to burn in your stove naturally depends on what is available to you. If all you can obtain is softwood, obviously, that will be your choice.

Softwoods like pine, spruce, and fir are easy to ignite because they are resinous. They burn rapidly with a hot flame. However, since a fire built entirely of softwoods burns out quickly, it requires frequent attention and replenishment.

This characteristic of softwoods can be a boon, if you want a quick warming fire or a short fire that will burn out before you go to bed.

If you do have a choice, for a long lasting fire, it is best to use the heavier hardwoods such as ash, beech, birch, maple and oak.

By mixing softwoods with hardwoods, you can achieve an easily ignited and long lasting fire.

So that you have an idea of how firewood is described and sold, you should first know that the most common measure is the standard cord. A cord is a well-stacked pile of logs 4 ft. by 4 ft. by 8 ft. Wood is also sold by the ton.

If you buy wood by weight, look for the driest wood. Don't pay for extra water! Small twigs and branches found in your yard and wood wastes found around sawmills are also good. When you buy wood, request a mixture of wood species and diameter sizes. the wood should be generally sound, but don't worry about small pockets of rotten wood that you may find in logs.

**HOW MUCH AVAILABLE HEAT IS THERE  
IN AIR-DRIED (20% MOISTURE) WOOD PER CORD?**

<b>TYPE</b>	<b>AVERAGE WEIGHT PER CORD</b>	<b>APPROX. B.T.U. AVAILABLE IN AN AIR-DRIED CORD BURNED AT 50% EFFICIENCY</b>	<b>ORDER OF MOST HEAT PER CORD</b>
Ash	2,950 lbs.	11,300,000	Eleventh
Aspen	1,900 lbs.	8,850,000	Fifteenth
Basswood	1,900 lbs.	8,550,500	Sixteenth
Beech	3,240 lbs.	13,900,000	Third
Birch (Yellow)	3,000 lbs.	13,100,000	Sixth
Cherry	2,550 lbs.	11,750,000	Tenth
Elm	2,750 lbs.	12,250,000	Seventh
Hemlock	2,100 lbs.	8,955,000	Thirteenth
Hickory	3,595 lbs.	15,300,000	First
Maple (Hard)	3,075 lbs.	14,500,000	Second
Maple (Soft)	2,500 lbs.	12,000,000	Ninth
Oak (Red)	3,240 lbs.	13,150,000	Fifth
Oak (White)	3,750 lbs.	13,850,000	Fourth
Pine (White)	1,800 lbs.	8,950,000	Fourteenth
Spruce	2,100 lbs.	9,050,000	Twelfth
Tamarack	2,500 lbs.	12,005,000	Eighth

## 8. Grates

### 8.1 Grate System and Controls

A. Heavy-Duty Cast Iron Grate System - The functions of a grate system are to support the coal and at the same time provide air flow through the grates to the coal. Harman grates have a maximum amount of air flow to produce an even burning fire. Another function is to remove the ash from the unburned coal by grinding, breaking or shaking them until the ashes fall through the grates. Harman grates provide a variable amount of grinding action controlled by the movement of a long shaker-lever located on the left side of the stove. Grates are removable without tools.

B. Burns Three sizes of Anthracite - You can burn pea, nut or stove coal with these stoves.

C. Exterior Shaker-Lever - For greater safety (from getting burned) and greater convenience (no need for separate tools).

IMPORTANT! WHEN SHAKING IS

COMPLETED, TURN THE SHAKER UNTIL THE GRATES ARE FLAT AND HORIZONTAL. KEEP ASH DRAWER EMPTY!

## 9. Installation Instructions

### 9.1 Unpacking and Inspection of Parts

Inspect the unit for visible damage. Stove parts and accessories are packaged inside the stove. It is recommended that the owner remove these parts prior to proceeding with the installation to avoid parts damage.

NOTE: The doors, grates, and firebrick can be easily removed to lighten the weight prior to moving and placing the stove.

### 9.2 Warnings

All stoves must be installed in accordance with state and local building codes.

### 9.3 Locating The Stove

Locate the stove as close to the chimney or flue as possible.

Locate stove where there is sufficient air supply for ventilation and proper combustion to comply with the minimum clearance required for fire protection and accessibility.

### 9.4 General Information

Installation Checklist:

A. Have only a qualified stove installer install the stove.

B. Before starting installation, check for proper clearance to combustibles and where the stove will be located.

C. Chimney - Have chimney inspected for:

1. Proper type, Class "A" only, masonry or all-fuel factory-built.

2. Good physical and mechanical condition.

3. If manufactured chimney, look for listing mark and installation in accordance with manufacturer

installation instructions.

4. Multiple venting should be avoided wherever possible. Never install your stove into the same vent as a gas furnace.

5. Check for proper roof clearances. See page 5 and check your local codes.

6. Chimney must be two feet higher than anything ten feet around it.

#### D. Flue Pipe

1. Chimney should be within 8 feet of the stove.

2. No more than two 90 degree elbows should be used.

#### E. Check for Proper Draft

The chimney used must be capable of providing a minimum of .06 inches water column draft.

#### F. A Barometric Draft Regulator

May be used and set at .06 to .10 inches water column.

Safety and Service Clearances - Regardless if you use your stove as a separate independent stove installation or in the parallel configuration with another furnace, the following steps will apply in your decision as to where and how you will install your new solid fuel stove.

#### Clearance to Combustibles

Models SF-150, SF-250

Safe stove clearance to combustible walls is 24" to rear and 36" to sides and front. Floor protection for a combustible floor should consist of 3/8" asbestos millboard or a stove mat providing equal protection. The floor protector should extend 8" to either side and 16" in front of the stove. Floor protection should also extend 2" to either side of chimney connector.

#### Leveling Adjustable Feet

A. Lean the stove back and screw on the two front feet.

B. Lean the stove front and screw on the two rear feet.

C. Make final adjustments to bring the stove into a level position by adjusting feet as required.

Most Harman stoves are equipped with adjustable feet which are adjusted simply by turning them. They are 4" in diameter to support the stove without marring the floor. The shape of the foot adds to the appearance and quality of the stove.

IMPORTANT! THE FLUE PIPE MUST BE 24 GAUGE OR THICKER.

When connecting the flue pipe to the stove the first section of the pipe

or the elbow should be installed inside the flue connector on the stove. It should be held in place by drilling three holes through the pipe. The holes should be of suitable diameter for the sheet metal screws or pop rivets used for fastening.

A straight section of pipe or an elbow must now be installed.

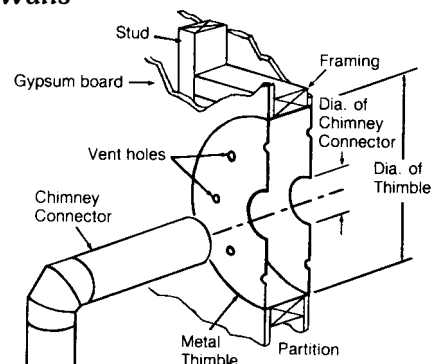
A barometric damper may be installed on this vertical section of the pipe. Use a listed barometric damper.

IMPORTANT! ALL HORIZONTAL RUNS SHOULD HAVE A 1/4" RISE TO THE FOOT SO THAT ANY LIQUID CREOSOTE THAT MAY DEVELOP WILL RUN BACK INTO THE STOVE.

#### Connector thru Walls and Chimney

- NFPA 211 does not permit a chimney connector to pass through any floor or ceiling or through any fire wall or fire partition. However, where necessary, a connector may pass through a partition other than

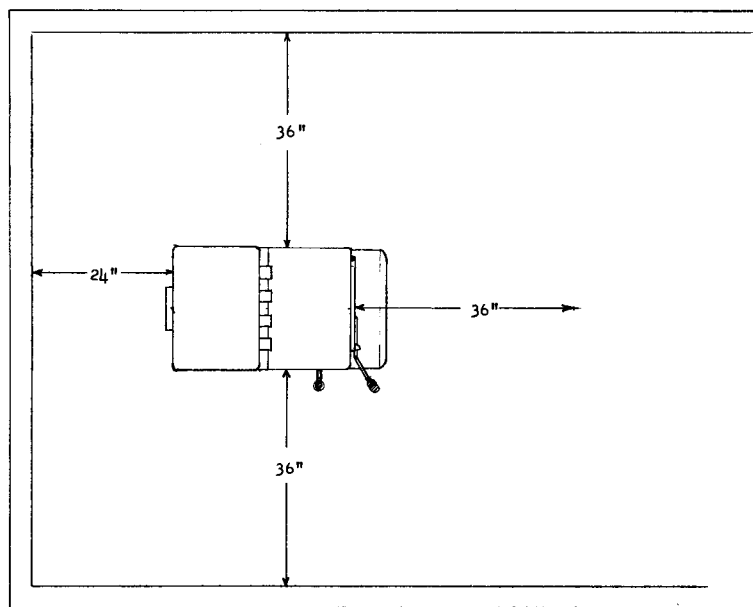
**Figure 4. Thimble for Passing Smokepipe (Connector) Thru Walls**



a fire partition under any of the following conditions:

A. Where a ventilated type metal thimble, as shown above is used. Such a thimble must be at least 12 inches larger in diameter than the chimney connector.

B. Where a metal or burned fire-clay thimble is used and the thimble is surrounded on all sides by not less



than 8 inches of brickwork or equivalent fireproofing material.

C. Where all combustible material is cut out of the partition wall for a sufficient distance to provide not less than 18 inches clearance on all sides of the connector. Any material used to close this opening must be non-combustible insulating material.

D. Where the section of connector pipe passing through the wall is replaced by a properly installed section of factory-built chimney, the chimney section must be listed for solid fuel use and be insulated.

Where an existing chimney is used, it must be large enough to provide a draft adequate for exhausting the gaseous products of combustion. The cross-sectional area of the chimney flue should be at least 25 percent greater than that of the chimney connector (stovepipe). For example, the common 8 inch by 8 inch chimney flue liner has an actual interior cross-sectional area of only 49 square inches (7" x 7") and, thus, can only accommodate a 7" stove connector.

## 10. Preventive Maintenance Instructions

### 10.1 Periodic and Normal Everyday Maintenance

Blower Motor - Oil twice yearly.

Grates - Keep ash drawer emptied. Failure to do this may cause grates to warp.

**CAUTION!** BEFORE CLEANING CHIMNEY AND SMOKE PIPE BE SURE FIRE IS OUT AND INSIDE OF STOVE IS COOL.

Cleaning The chimney, Smoke Pipe and Spiral Chamber.

Avoid chimney fires. On a regular schedule, check for creosote and soot buildup in the chimney, smoke pipe and spiral chamber. They must be kept clean. Keep a professional chimney sweep in mind if you have access to one.

Steel brushes are the safest for cleaning metal surfaces. Salt solutions and some chemicals may damage metal surfaces. Do not overfire your stove. Do not burn anything that combusts in seconds. Excessive

flue temperatures may result thereby igniting creosote.

To clean the chimney, obtain a stiff brush with an extendible handle and insert the brush into the chimney from the top. Continue the brushing and sweeping downward until the entire length of the chimney is cleaned.

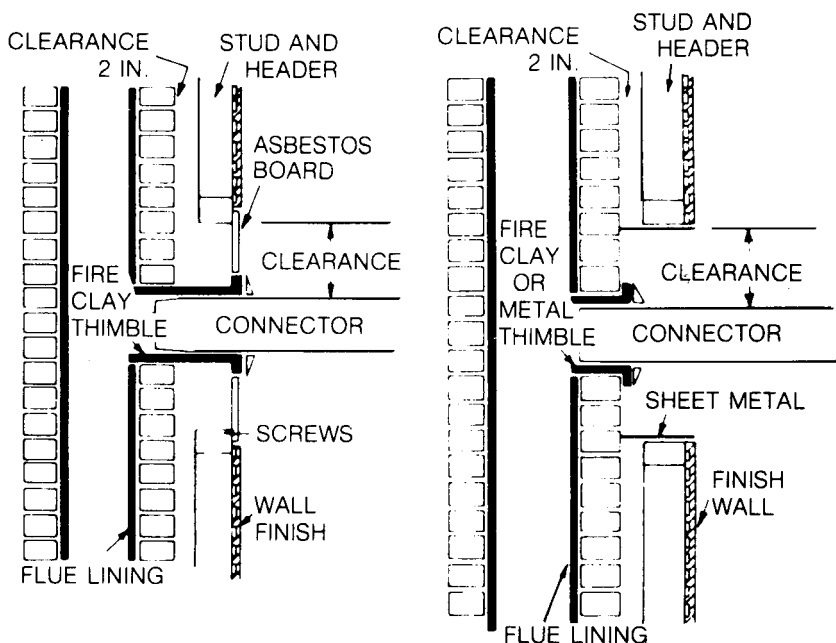
After cleaning the chimney, the debris will be at the bottom of the chimney at the clean-out opening. Open the clean-out door and sweep the debris out into a metal container.

The smoke pipe from the stove to the chimney can be cleaned with a steel brush.

Cleaning of Spiral Chamber - To clean spiral chamber remove cleanout plate in front of chamber by using a 3/4" wrench to turn the bolt counter-clockwise two turns and slide plate sideways about 1" and remove. Take putty knife or similar tool and scrape accumulated residue from the spiral chamber. The residue will fall down to the bottom of the chamber and can be removed from the flue opening in back of the stove by means of a vacuum cleaner or a small scoop.

**Figure 5: Connecting Smokepipe (connector) to Chimney Through Wall.**

*Two methods of connecting a chimney connector to a chimney flue where the connector must pass through a combustible partition wall. Instead of the asbestos board shown, sheet metal may be used, or a metal lath and plaster finish may be applied at that area. Use 24 gauge or heavier metal. Clearance needed is three times the diameter of stovepipe.*



One-eighth to 1/4" accumulation on interior parts is normal. The most important area is between the pipes indicated by the arrow in Figure 6. Under normal operation it is not necessary to clean the chamber. Excessive accumulation will only occur when wood is burned very slowly for long periods of time. If this is the case, we recommend you clean the chamber and burn the stove hotter. If the extra heat from the hotter fire is too much for your home, switching to coal, in the warmer months may be the answer. We recommend you check your interior spiral chamber once a year.

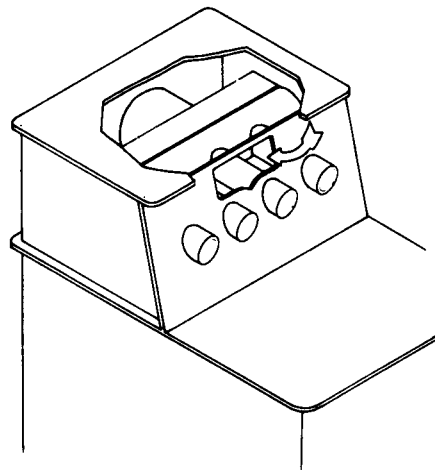


Figure 6

# 11. Operating Instructions

## 11.1 Starting a Wood Fire

Take about eight sheets of newspaper, crumble up into balls and place on top of grates on dual fuel models and on the firebrick in the wood models. Next, lay some fine kindling on top of the paper. This kindling must be dry and no larger than 3/4" diameter and should be layered in a criss-cross pattern to allow good air flow. Then, lay some slightly larger pieces (2" diameter) of wood on top of the kindling. Open draft controls fully and light the paper at the bottom just inside the door. Now, close loading door (also ash removal door on dual-fuel models) and allow kindling and wood to catch fire. After about five minutes, open loading door an inch or two for a few seconds before opening completely. This method will allow the smoke to clear away from the door opening. Now the fire should be well-established and ready for some larger wood. Add four or five pieces of 3" to 4" diameter wood. Close door and let burn for about 5-10 minutes. Now open loading door using the same method as before and load stove with wood to the desired fullness. All Harman wood and dual fuel stoves may be loaded with wood as

full as possible for high output and long burn time. Then close the door and allow all the wood to catch fire. After all the wood is burning well, you may reduce the air entering the firebox by turning the draft controls clockwise.

**WARNING! DO NOT CLOSE BOTH DRAFT CONTROLS ON LOADING DOOR AT ONCE AND THEN OPEN THE DOOR, AS THIS WILL CAUSE AN EXPLOSION OF THE UNBURNED GASES IN THE FIREBOX!**

Close and open the draft controls one at a time to the desired setting. This setting should normally be between one and two turns. Less than one turn will cause excessive creosote buildup and over two turns may cause excessive heat.

**NOTE: EACH STEP IN THIS PROCESS WILL TAKE LONGER IF YOUR WOOD IS DAMP OR WET AND WILL INCREASE SMOKE.** Normally the bottom draft control is kept closed to burn wood.

## 11.2 Starting a Coal Fire

Start a fire using the same procedure as for wood.

Add small, compact pieces of hardwood when the kindling is burning hot. Keep the draft controls fully open to establish a hot fire quickly. The ash door also may be opened during start-up to accelerate the initial burn.

When a substantial bed of red wood coals are built up, start adding coal (pea or nut is preferred to stove coal for starting) small amounts at a time. Keep the draft control open.

Continue adding small amounts of coal until there is a solid bed of burning coal. Do not add too much at one time. Allow sufficient time between each small loading (at least 5-10 minutes), so that each loading has time to ignite thoroughly before the next load is put in. When a substantial bed of burning coals has been established, fill the stove to the top of the firebrick. A deep bed of coal always will burn more satisfactorily than a shallow bed.

When most of the wood is burned and the coal is completely ignited (usually 5-10 minutes or less after filling the stove), the draft control should be turned down to the proper operating level. (If the ash door has been opened, it must be closed to prevent overfiring, which can cause dangerously high temperatures.)

## 11.3 Loading

Coal should never be added unless there is a reasonable hot fire. The coal bed should be bright and vigorous.

If the fire is burning hot and there is a deep bed of coals, full loads of coal can be added at any time. However, if there is not a deep bed of coals, it is best to add small amounts of coal at first.

## 11.4 Increasing Heat From a Low Fire

Every effort should be made not to let a coal fire burn too long so that

the fire has started to die. This will cause the reloading process to be much longer, and there is a good possibility of losing the fire.

Do not shake or stir with a low fire.

Open the draft control wide or open the ash cleanout door to get the maximum draft.

Run the stove with the draft control or ash door fully open until the fire is reasonably hot.

Start adding small amounts of coal. Follow the same procedure as in paragraphs 3 and 4 in Section 11.2

When the new coal is thoroughly ignited or there is a substantial bed of hot coals, the stove may be shaken thoroughly. Be sure to shake down all ashes (but do not over-shake).

After shaking, keep the bottom draft control open until you are sure the fire is continuing to burn hot, then turn the draft control down to the proper operating level. **IF THE ASH DOOR HAS BEEN OPENED, BE SURE TO SHUT IT (SERIOUS DAMAGE CAN RESULT IF THE STOVE IS RUN FOR EXTENDED PERIODS WITH THE ASH DOOR OPEN).**

Count the exact number of turns from full shut to the normal operating positions so that you can adjust the stove to the exact level of heat output and length of burn you desire.

### **11.5 Shaking**

Shaking should be done only when there is a hot fire.

The frequency of shaking will depend on the type of stove and the degree of burning. Shaking should be done at least once a day, and preferably twice a day.

Best results from shaking with Harman grates will occur if short “choppy” strokes are used rather than long, even strokes.

The amount of shaking is critical. Too little or too much, either can result in the extinguishing of a fire due to blocked air flow. The proper amount normally occurs when red coals first start to drop through onto the bed of ashes.

### **11.6 Draft Controls**

The heat output of the coal is controlled by the primary draft control on bottom door. Experience will dictate the proper settings for heat requirements.

Coal responds very slowly to changes in the draft settings. Because of this slow response time, over-correcting is a common problem. When changes in heat output are needed, make only small changes in the draft setting and wait for the temperature to stabilize.

### **11.7 Secondary Air**

The two draft controls on the top door are used to allow secondary air to pass over the fire when burning coal.

This adds oxygen to the unburned gases (primarily methane and carbon monoxide) and aides in burning them. The setting for normal burning is from 1/2 to 1 turn open from closed position. Adjust both controls equally. **NOTE: THESE SAME CONTROLS PROVIDE THE PRIMARY AIR WHEN BURNING WOOD.**

### **11.8 Ashes**

Ashes should never be allowed to accumulate in the ash pit so that they in any way impede the flow of combustion air to the fire. Excess ash accumulation can cause the fire to go out and also can cause severe damage to the grates because of the absence of a cooling flow of air beneath them.

Ashes should be placed in a metal container with a tight fitting lid. The closed container of ashes should be

placed on a noncombustible floor or on the ground, well away from all combustible materials, pending final disposal. If the ashes are disposed of by burial in soil or otherwise locally dispersed, they should be retained in the closed container until all cinders have thoroughly cooled outside the dwelling.

**CAUTION! ASHES SHOULD NEVER BE ALLOWED TO ACCUMULATE ABOVE THE TOP OF THE ASH PAN. ASHES IN CONTACT WITH THE BOTTOM OF THE GRATES ACT AS AN INSULATOR, INTENSIFYING THE HEAT ON THE GRATES, AND COULD CAUSE THEIR WARPAGE. WITH AN EXCESSIVE ASH BUILDUP, PRIMARY COMBUSTION AIR IS RESTRICTED (IN COAL MODE); THUS, THE UNIT'S OUTPUT COULD BE REDUCED!**

Coal produces considerably more ash than wood, so the intervals between emptying are much shorter. For equal heat output, coal will produce seven to ten times more ash than wood.

### **11.9 Safety**

Whenever a loading door is opened, it always should be cracked slightly to allow oxygen to enter and burn any combustion gases that are present before fully opening. Failure to do this could result in sudden ignition of the unburned gases when the door is opened.

A stove never should be filled with excess coal so that the flue gas exit is blocked or impeded in any way. Burning coal generates carbon monoxide. If the flue gas exit is blocked, the carbon monoxide can be forced out of the stove into the room, with possible fatal consequences. WITH THE EXCEPTION OF THE START-UP PERIOD, AN ASH PIT DOOR SHOULD NEVER BE LEFT OPEN.

Serious damage to the stove can occur from overheating.

Coal stoves should not be installed in any chimney that has had a history of back-drafting or flow reversal. These conditions can cause improper draft, resulting in carbon monoxide entering the house rather than being drawn up the chimney. REMEMBER! COAL GASES ARE TOXIC!

Sulfur dioxide, sulfur trioxide and other ions released from coal burning may corrode stainless and masonry chimneys, and even terra cotta chimney liners and brick in nearby buildings. Coal with high sulfur content will destroy chimneys especially fast if soot sits in the flue for extended lengths of time. It is important to clean chimneys regularly.

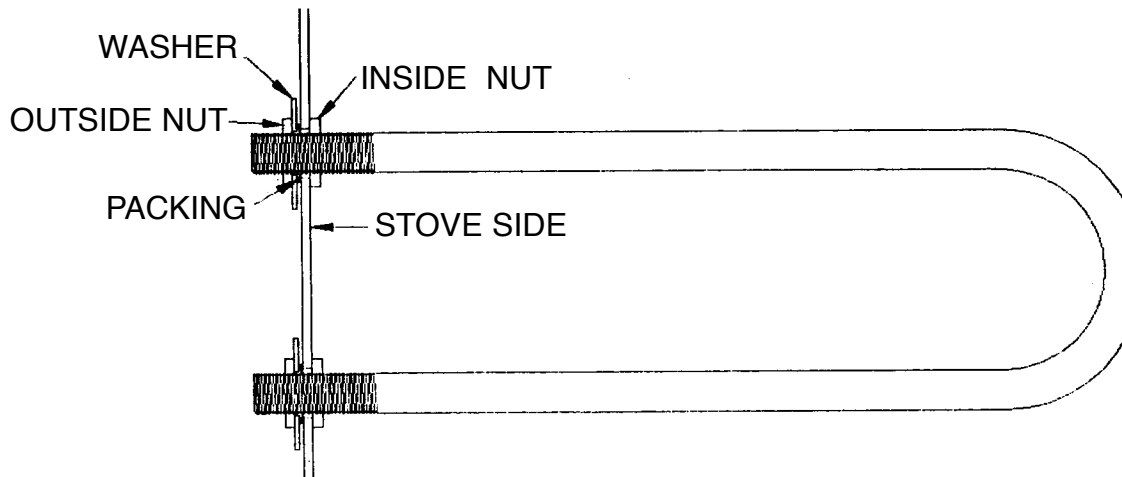
## 12. Warranty

### 12.1 Terms and Warranty

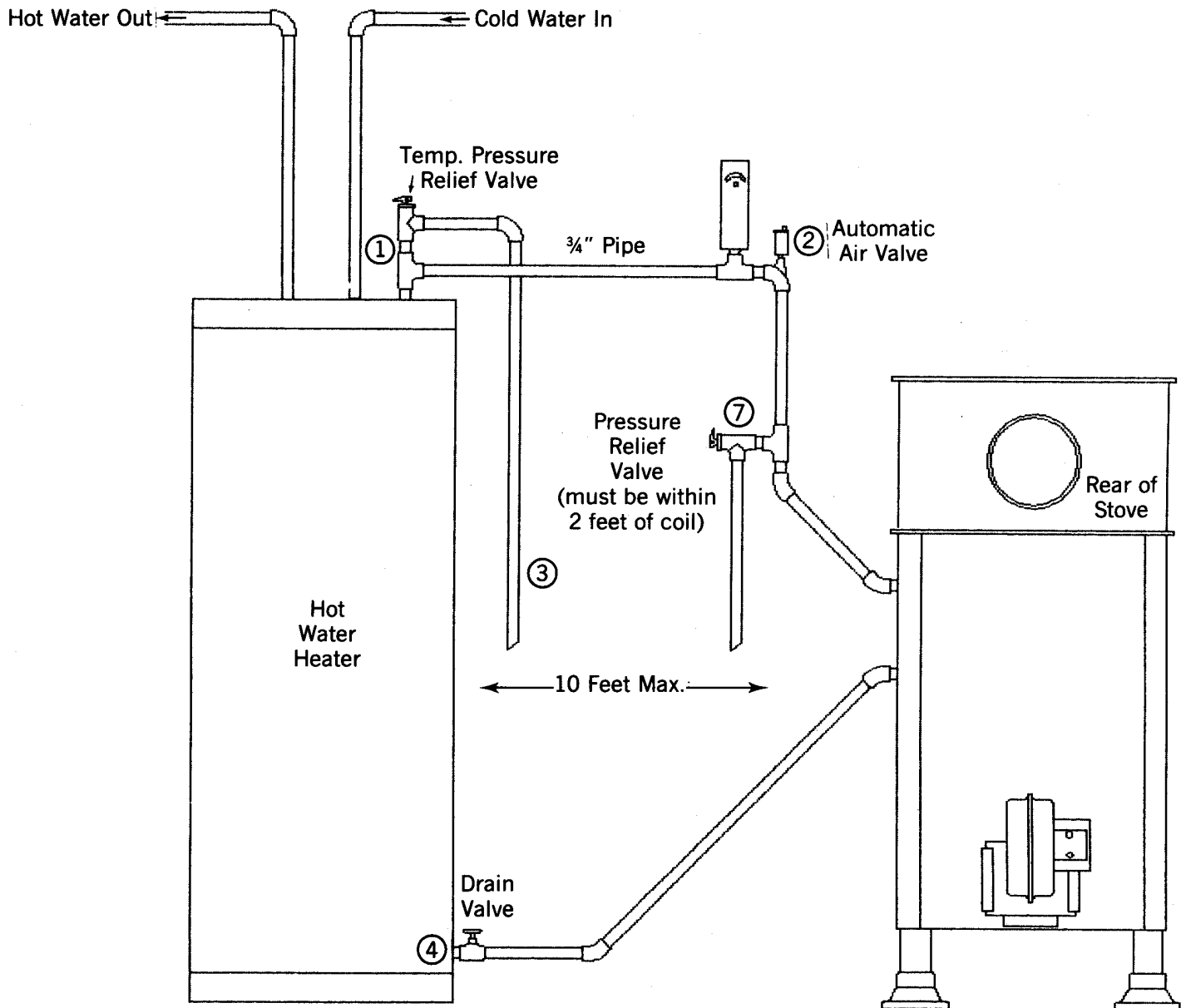
Harman Stoves are warranted for five years in accordance with the following warranty terms. Exclusions to the five years will be the following items:

- A. Electrical Blower (1 year warranty)
- B. Door Packing
- C. Glass
- D. Firebricks
- E. Paint

## 13. Optional Hot Water Coil



## PLUMBING DIAGRAM FOR THERMO-SIPHON METHOD - MAX. DISTANCE 10 FT.



### COIL INSTALLATION (See Coil Diagram on Page 14)

Place one of the nuts supplied on each leg of the coil. Place coil through the holes in the back of the firebox and adjust the nuts so the pipes stick out about 1 1/4 to 1 1/2 inches from the side of the stove. Put flat washers and nuts on the outside and tighten within 1/4 inch. Then place fiberglass rope around each pipe the washers and tighten. You are now ready to run pipes.

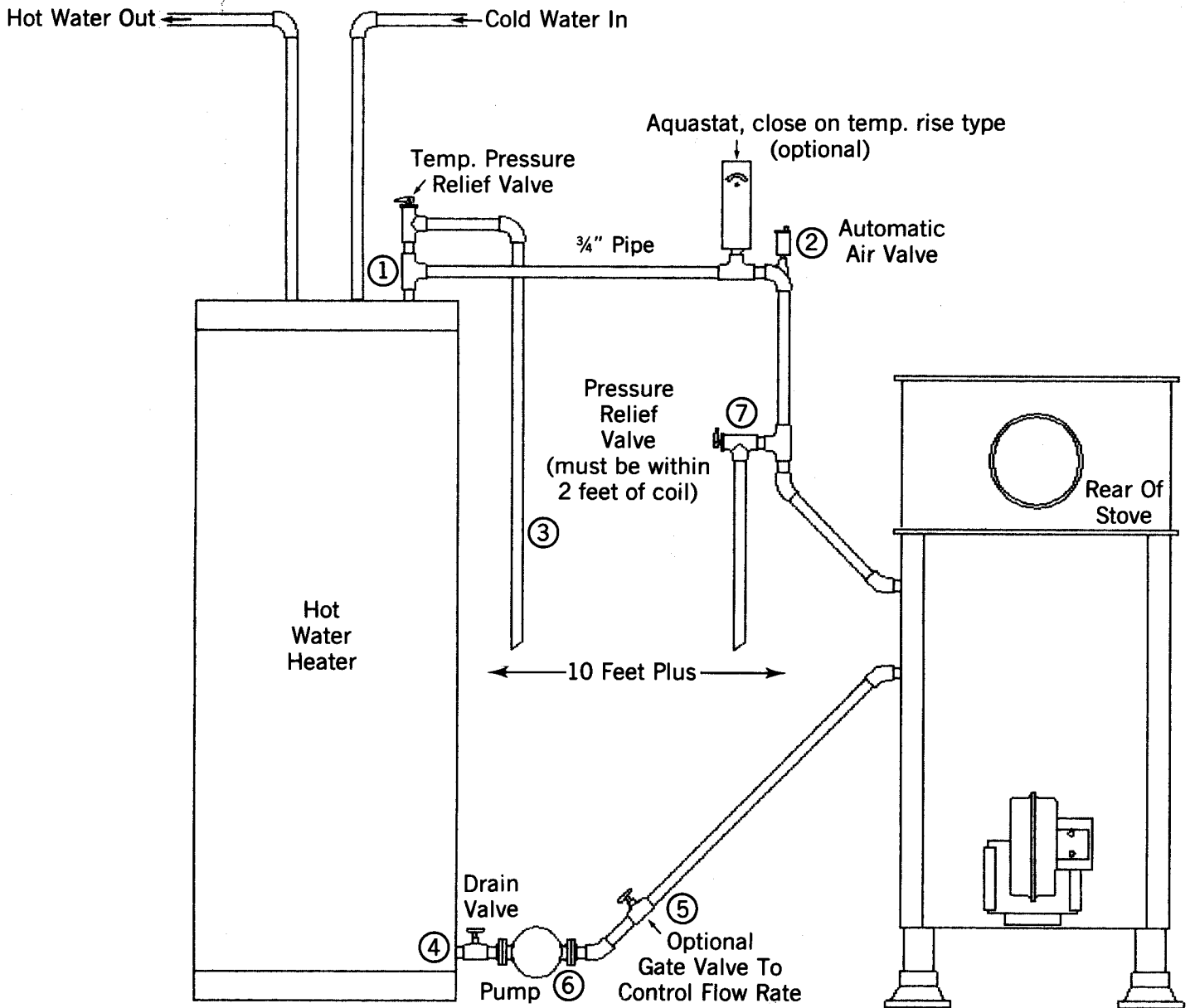
### THERMO-SYPHON METHOD (LESS THAN 10 FEET)

This is the simplest and most economical method, however, the hot water tank must be less than ten feet from the stove. The water inlet, where the temp./press./relief valve is located, must be higher than the top leg of the coil. The hot water tank should be elevated, if necessary, to allow for proper thermo-siphon action (the method by which hot water will circulate automatically through the system.)

- Shut off the hot water heater and the old water supply to it. Drain the tank completely.
- Remove the temp./press./relief valve and discard. Install a short 3/4" nipple and tee (1) along with a new temp./press./relief valve.
- Run 3/4" copper tubing along with the necessary fittings between the hot water tank and the top leg of the water coil. Install a 3/4" vent elbow and automatic "float type" air vent (2) in the high point of the line. Within two feet of the top leg of the water coil install a 150 lb. pressure relief valve. (7) Run 3/4" tubing from the release exit of both relief valves downward (3) so the hot water may escape the event of overheating.
- Remove the drain valve at the bottom of the tank. Install a short 3/4" nipple and tee and re-install the drain valve to the tee (4). Run 3/4" copper tubing with the necessary fittings between the drain/tee combination and the lower leg of the coil. After all of the connections have been complete, you may refill the tank. Turn on the hot water heater only after the tank has been completely refilled.



## PLUMBING DIAGRAM FOR CIRCULATING PUMP METHOD - MORE THAN 10 FT.



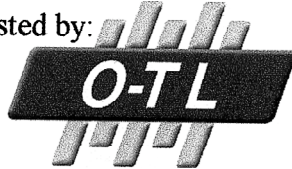
### CIRCULATING PUMP METHOD (MORE THAN 10 FEET)

This method is used when the hot water heater tank is more than ten feet away from the stove or the stove is on a higher level than the hot water heater tank. In addition to a circulator pump, you may want to add an aquastat to thermostatically control the pump according to water temperature. This is optional and not necessary if the circulator pump is left run continuously. Another option is a gate valve placed near the pump to control the rate of water flow.

- Shut off the hot water heater and the old water supply to it. Drain the tank completely.
- Remove the temp./press./relief valve and discard. Install a short 3/4" nipple and tee (1) along with a new temp./press./relief valve.
- Remove the drain valve at the bottom of the tank. Install a short 3/4" nipple and tee and re-install the drain valve to the tee (4).
- Install a circulating pump (6) as shown. Run 3/4" copper tubing from the circulating pump to the lower leg of the heat exchanger coil. This is where the optional gate valve (5) can be installed to regulate the water flow.
- Install a 3/4" tee and a 150 lbs. pressure relief valve (7) in the top leg within two feet of the top outlet of the water coil.
- Complete the 3/4" copper line by running it back to the tee at the top of the hot water tank, making sure to install a 3/4" vent elbow and automatic air vent (2) at the high point of the line. The optional aquastat can be installed in this line a maximum of 6 feet from the furnace. This aquastat must be a close on temperature rise type and must be wired and adjusted to turn on the circulating pump when the water temperature reaches 120 degrees F.

The system is now ready to be refilled and the hot water heater turned back on.

Tested by:



**LISTED SOLID FUEL ROOM HEATER**

MODEL: SF 350   
SF 250   
SF 150

WHI-

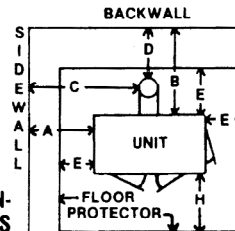
TESTED TO UL 1482, AUGUST 1981

**MINIMUM CLEARANCES TO COMBUSTIBLE MATERIALS**

- A. UNIT TO SIDEWALL 36"
- B. UNIT TO BACKWALL 24"
- C. CHIMNEY CONNECTOR TO SIDEWALL 44"
- D. CHIMNEY CONNECTOR TO BACKWALL 18"
- E. FLOOR PROTECTOR, SIDE AND REAR 8"
- H. FLOOR PROTECTOR, FRONT 16"

CHIMNEY CONNECTOR TO COMBUSTIBLES 18" MINIMUM

FLOOR PROTECTION: UNIT MUST BE PLACED ON NON-COMBUSTIBLE FLOOR OR USE A 3/8" ASBESTOS MILLBOARD PROTECTOR OR EQUIVALENT EXTENDING OUT 8" TO THE SIDE AND REAR, 16" IN FRONT.



USE CLASS "A" CHIMNEY AND CLASS "A" CHIMNEY CONNECTOR. SPECIAL METHODS ARE REQUIRED WHEN PASSING THROUGH A COMBUSTIBLE WALL OR CEILING. SEE INSTRUCTIONS AND LOCAL BUILDING CODES.

INSTALL AND USE ONLY IN ACCORDANCE WITH THE MANUFACTURER'S INSTRUCTIONS AND LOCAL BUILDING CODES. CONTACT LOCAL BUILDING OR FIRE OFFICIALS ABOUT RESTRICTIONS AND INSTALLATION INSPECTION IN YOUR AREA.

FUEL: WOOD OR COAL

ELECTRICAL RATING: 115 VOLTS, 2 AMPS, 60 HZ.

DO NOT OBSTRUCT SPACE UNDER HEATER.

KEEP DOORS CLOSED WHILE IN OPERATION.

DO NOT CONNECT THIS UNIT TO A CHIMNEY FLUE SERVING ANOTHER APPLIANCE.

DO NOT OVERFIRE - IF FIREPLACE STOVE OR CHIMNEY CONNECTOR GLOWS, YOU ARE OVERFIRING. INSPECT AND CLEAN CHIMNEY FREQUENTLY - UNDER CERTAIN CONDITIONS OF USE, CREOSOTE BUILDUP MAY OCCUR RAPIDLY.

HARMAN STOVE AND WELDING, INC.  
R.D. #1, BOX 619  
HALIFAX, PA. 17032



# **HARMAN CENTRAL HEAT WARRANTY**

## **5 YEAR LIMITED WARRANTY (Residential)**

### **1 YEAR LIMITED WARRANTY (Commercial)**



Harman Stove Company warrants its central heat products to be free from defects in material or workmanship, in normal use and service, for a period of 5 years from the date of sales invoice and for mechanical and electrical failures, in normal use and service, for a period of 1 year from the date of sales invoice.

If defective in material or workmanship, during the warranty period, Harman Stove Company will, at its option, repair or replace the product as described below.

The warranty above constitutes the entire warranty with respect to Harman Stove Company. HARMAN STOVE COMPANY MAKES NO OTHER WARRANTY, EXPRESSED OR IMPLIED, INCLUDING "ANY" WARRANTY OF MERCHANTABILITY, OR WARRANTY OF FITNESS FOR A PARTICULAR PURPOSE. No employee, agent, dealer, or other person is authorized to give any warranty on behalf of Harman Stove Company. This warranty does not apply if the product has been altered in any way after leaving the factory. Harman Stove Company and its agents assume no liability for "resultant damages of any kind" arising from the use of its products. In addition, the manufacturer and its warranty administrator shall be held free and harmless from liability from damage to property related to the operation, proper or improper, of the equipment.

THERE ARE NO WARRANTIES, WHICH EXTEND BEYOND THE DESCRIPTION ON THE FACE HEREOF.

THESE WARRANTIES APPLY only if the device is installed and operated as recommended in the operators manual.

THESE WARRANTIES WILL NOT APPLY if abuse, accident, improper installation, negligence, or use beyond rated capacity causes damage.

HOW TO MAKE A CLAIM - any claim under this warranty should be made to the dealer from whom this appliance was purchased. Then contact is made with manufacturer, giving the model and serial numbers, the date of purchase, your dealer's name and address, plus a simple explanation of the nature of the defect. Extra costs such as labor, mileage and overtime are not covered. Nuisance calls are not covered by these warranties.

THIS WARRANTY IS LIMITED TO DEFECTIVE PARTS, REPAIR AND/OR REPLACEMENT AT HARMAN STOVE COMPANY'S OPTION AND EXCLUDES ANY INCIDENTAL AND CONSEQUENTIAL DAMAGES CONNECTED THEREWITH.

WARRANTY EXCLUSIONS: Failure due, but not limited to, fire, lightning, acts of god, power failures and/or surges, rust, corrosion and venting problems are not covered. Damage and/or repairs including but not limited to; filters, fuses, knobs, glass, door packing, paint, batteries or battery backup and related duct work are not covered. Also excluded from this warranty are consumable or normal wear items including but not limited to; grates, fire brick, gaskets. Additional or unusual utility bills incurred due to any malfunction or defect in equipment and the labor cost of gaining access to or removal of a unit that requires special tools or equipment are not covered. Maintenance needed to keep the stove in "good operating condition" is not covered. This includes, but is not limited to, cleaning, adjustment of customer controls and customer education. Labor, material, expenses and/or equipment needed to comply with law and/or regulations set forth by any governmental agencies are not covered.

This warranty provides specific legal rights and the consumer may have other rights that vary from state to state.

PLEASE READ LITERATURE BY THE MANUFACTURER FOR THE VARIOUS ACCESSORY DEVICES. THE MANUFACTURER WARRANTS THESE ACCESSORY DEVICES, NOT HARMAN STOVE COMPANY OR THEIR WARRANTY ADMINISTRATOR. FURTHERMORE, THESE ACCESSORY DEVICES MUST BE INSTALLED AND USED ACCORDING TO THE RECOMMENDATIONS OF THE MANUFACTURER.

Remedies - The remedies set forth herein are exclusive and the liability of seller with respect to any contract or sale or anything done in connection therewith, whether in contract, in tort, under any warranty, or otherwise, shall not, except as herein expressly provided, exceed the price of the equipment or part of which such liability is based.

CLARIFY - The above represents the complete warranty, which is given in connection with central heat, manufactured by Harman Stove Company. No other commitments, verbal or otherwise, shall apply except by a written addendum to this warranty.