

INSTALLATION & OPERATION MANUAL



Pellet Stove MODELS 25-PDVC / 55-SHP10 / 55-TRP10

Manufactured By:
England's Stove Works, Inc.
PO Box 206
Monroe, VA 24574
Rev. 7/2017



www.heatredefined.com
Parts: (800) 516-3636
Support: (800) 245-6489



SAVE THESE INSTRUCTIONS



Welcome!

Introduction

- Precautionary Statements 3
- Thank You 4
- Read Before Getting Started..... 5
- Important Information 6

Installation

- Unit Preparation 7
- Flue System 8
 - Pellet Vent Pipe..... 8
 - Through the Wall 8
 - Through the Ceiling 9
 - Existing Flue System..... 9
 - Outside Air 9
- Mobile Home Installation..... 9
- Installation Diagrams..... 10
- Floor and Wall Protection 10
- Vent Termination Clearances 11

Operating Instructions

- Explanation..... 12
- Start-Up Procedure 12
- E-Codes 13
- Shut-Down Procedure 13
- Daily Operation 14
 - Refueling 14
 - Power Outage 14
 - Fuel Outage 14
 - Combustion Blower Failure 14

Ash Removal / Maintenance

- Daily 15
- Semi-Weekly 15
- Monthly 16
- Annual 16
- Rear Panel Removal 17
- Auger Motors 17

- Auger Bearings & Shafts..... 17
- Convection Blower..... 17
- Combustion Blower..... 17
- Vacuum Switch 18
- Vacuum Switch Port..... 18
- Hopper Lid Switch 19
- Gaskets 19
- Finish 19
- Glass 19
- Control Board..... 20
- Wiring Diagram..... 21
- Hopper Lid Latches 22
- Accessory Items 23

Illustrated Parts Detail

- Parts List..... 24
- Exploded Parts Diagram..... 25

Troubleshooting Guide

- Troubleshooting..... 26

Warranty

- Serial Tag Sample 27
- Warranty Details..... 28
- Warranty Registration Form..... 29
- EPA & Safety 31

INSTALLATION & OPERATION MANUAL

MODEL NUMBERS: 25-PDVC 55-SHP10 55-TRP10

Thank you for purchasing this product from a fine line of heating equipment. We wish you many years of safe heating pleasure with your new heating appliance.

Save These Instructions.

IMPORTANT: IF YOU HAVE A PROBLEM WITH THIS UNIT DO NOT RETURN IT TO THE DEALER. CONTACT TECHNICAL SUPPORT @ 1-800-245-6489.

Mobile Home Use:

These freestanding pellet units are approved for mobile home or doublewide installation with outside combustion air hook-up. See "Flue System" section of manual.

Mobile home installation should be in accordance with the Manufactured Home and Safety Standard (HUD), CFR 3280, Part 24.

WARNING: Do Not Install in Sleeping Room

CAUTION: The structural integrity of the mobile home floor, wall and ceiling/roof must be maintained.

Please Note the Following Precautionary Statements:

NOTE: WE DO NOT RECOMMEND PELLET STOVES AS YOUR ONLY SOURCE OF HEAT.

England's Stove Works highly recommends the use of smoke detectors and Carbon Monoxide detectors with any hearth product, including this unit. Follow all manufacturer's instructions when using smoke or Carbon Monoxide detectors.

CAUTION: Please read this entire manual before installation and use of this pellet fuel burning room heater.



Keep children, furniture, fixtures, and all combustible materials away from any heating appliance. Refer to this owner's manual for all clearances to combustible materials.

WARNING: USE OF OUTSIDE AIR IS MANDATORY WITH THIS UNIT.

DO NOT OPERATE UNIT WITH HOPPER OPEN. LID MUST BE SHUT AND TIGHTLY SECURED.

DO NOT OPERATE WITH DOOR OPEN

SAFETY NOTICE

FAILURE TO FOLLOW THESE INSTRUCTIONS COULD RESULT IN PROPERTY DAMAGE, BODILY INJURY OR EVEN DEATH. FOR YOUR SAFETY AND PROTECTION, FOLLOW ALL THE INSTALLATION INSTRUCTIONS. CONTACT YOUR LOCAL BUILDING OR FIRE OFFICIALS FOR RESTRICTIONS AND INSTALLATION INSPECTION REQUIREMENTS (INCLUDING PERMITS) IN YOUR AREA.

Questions? Need Parts or Options? www.HeatRedefined.com

Thank you for purchasing this fine product from England's Stove Works!

England's Stove Works was started, and is still owned by, a family that believes strongly in a "Do It Yourself" spirit – that's one reason you found this product at your favorite "Do It Yourself" store.

We intentionally design and build our stoves so that any homeowner can maintain his or her unit with basic tools, and we're always more than happy to show you how to do the job as easily and as inexpensively as possible.

From our free, downloadable service sheets; to our Pellet Service Video; to our new "wizard-style," click-through Troubleshooting guide on our web site, we have always tried to help our customers stay "heat-ready," especially when oil and electricity prices continue to skyrocket.

Please look at our vast Help section on our web site and call our Technical Support department at (800) 245-6489 if you need any help with your unit. We are nearly always able to help "walk you through" any repairs, problems or questions you may have.

PLEASE NOTE: While information obtained on our web site and through our 800 number is always free of charge, there will be a service charge incurred with any "on-site" repairs or maintenance that we may arrange.

Wishing you years of efficient, quality and "comfy" heating,
England's Stove Works
Technical Support Department

www.HeatRedefined.com

(800) 245-6489

CAUTION: Stove is heavy.

In addition, when handling any sheet metal products, be aware that there may be sharp edges or burrs. Although we make every effort to eliminate any sharp edges, please use caution when handling any metal parts. Remember to disconnect (unplug) the stove from the power source and allow it to completely cool down before performing any maintenance.

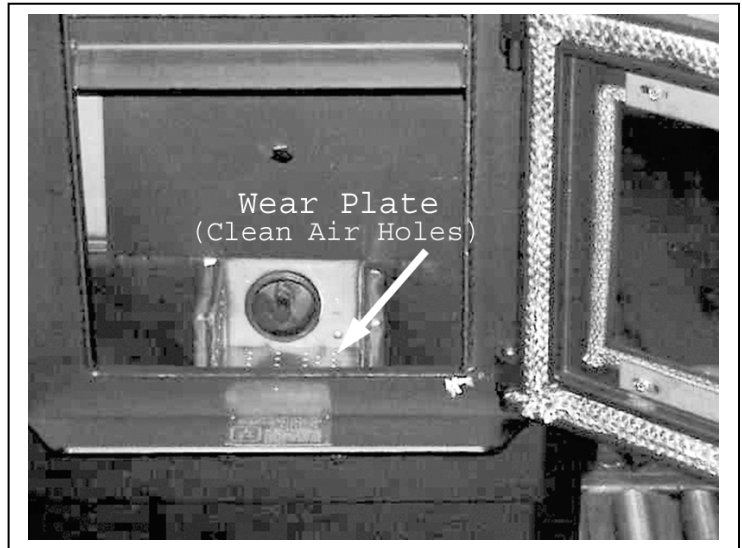
This manual is available for free download on the manufacturer's web site. It is a copyrighted document and resale is strictly prohibited. The manufacturer may update this manual occasionally and cannot be responsible for problems including injuries or damages resulting from the use of information found in any manual from unauthorized sources.

PLEASE NOTE: If you purchased this model from certain stores, their model number may end in "L" "LC" "H" "CT", etc. This manual does apply to those models as well.

BEFORE RE-STARTING YOUR UNIT

Every time before pressing “ON” to start your unit – Be sure to remove all ashes (burnt or partially burnt) from your burn pot area! Wearing protective gloves and with the unit cool, remove the Wear Plate and dump the ashes, ensuring that the air holes are clear from debris. Also be sure to follow all other maintenance instructions as outlined in your Owner’s Manual and the Instructional DVD included with the unit. Failure to remove ashes from this area before each burn can cause smoke-back and serious damage to your stove, and can void your warranty. We will not be held responsible for poorly maintained units, including excess ash in the burn pot area.

Burn Safe and Burn Clean –
Clean the burn pot area daily!



A NOTE ON COLD AIR RETURNS AND CENTRAL FURNACES

Some homes, including the modern, air-tight homes that are well-insulated, create a negative draft that could cause smoke to be released from your unit, especially if it is too close to your home’s Central Furnace. If you install your stove in the same room as the Cold Air Return from your home’s Central Furnace, you must place your stove at least 20 feet (20’) from the Cold Air Return. We recommend you open an outside window slightly, and never close the door that leads from this room to the rest of your home.

IN THE EVENT OF SMOKE-BACK

1. If you see smoke coming out of your unit into the room *due to a power failure*, DO NOT OPEN THE HOPPER OR DOOR TO YOUR UNIT!! **Remain calm.** DO NOT UNPLUG UNIT!! Open the nearest outside door and windows and wait for all signs of smoke to clear (at least one hour, although the smoke should dissipate quickly once the door and windows are opened). When power is restored, press the ON button to restart your unit, and let the unit run for at least 30 minutes.
 - If you see any further signs of smoke-back, press the OFF button and call Technical Support at (800) 245-6489 before restarting your unit, as damage could have occurred due to the power failure.
 - If you see **no** more signs of smoke-back, press the OFF button and wait for your unit to completely shut down and cool down, then clean the burn pot area before restarting your unit (see “Before Re-Starting Your Unit,” above).
2. If you see smoke coming out of your unit into the room and *the power has not failed*, DO NOT OPEN THE HOPPER OR DOOR TO YOUR UNIT!! **Remain calm.** DO NOT UNPLUG UNIT!! Immediately press the OFF button, open the nearest outside door and windows and wait for all signs of smoke to clear (at least one hour, although the smoke should dissipate quickly once the door and windows are opened). Do NOT restart your unit before calling Technical Support at (800) 245-6489.

Please call Technical Support at (800) 245-6489 with any questions. England’s Stove Works, Inc.

5

IMPORTANT! READ AND FOLLOW ALL INSTALLATION AND MAINTENANCE INSTRUCTIONS, INCLUDING CLEANING THE UNIT AS SPECIFIED, AND REPLACING GASKETS ANNUALLY, AND PARTS AS NEEDED. ENGLAND’S STOVE WORKS IS NOT RESPONSIBLE FOR ANY DAMAGE OR INJURY INCURRED DUE TO NEGLIGENCE, OR DUE TO UNSAFE INSTALLATION OR USAGE OF THIS PRODUCT. CALL TECHNICAL SUPPORT WITH ANY QUESTIONS.

IMPORTANT INFORMATION

1. Check local installation codes for your area. Call your Homeowner's Insurance representative for inspection of your stove's installation.
2. Read and comply with the instructions in this manual.
3. This unit should be tested (dry run) before loading pellets for 20 minutes. The stove should automatically shut itself off after the 20-minute dry run.
4. **Your stove is designed to burn Wood Pellets only.** Burning pea coal, cherry pits, or anything other than wood pellets will void your warranty. Pellets with high ash content will burn dirty and require the unit to be cleaned more often. This unit is designed for use with ¼" diameter pellet fuel. Using pellets longer than 2" can bind the auger and require frequent manual removal.
5. Be sure your pellets are not damp or wet. Keep sawdust out of the unit.
6. Use three-inch (3") U.L.-approved (ULC if Canada) PELLET VENT TWIST-LOCK PIPE when installing this stove and follow the manufacturer's specifications for installation and clearances (we highly recommend Dura-Vent pellet twist-lock pipe) (**AC-3000 kit, AC-33000 if Canada**). For installations over 4000 ft. above sea level the exhaust should be vented with 4" pellet vent pipe (**AC-3100 kit, AC-33100 if Canada**). Even though this pipe interlocks, it is a good idea to seal all connections with high temperature silicone (**AC-RTV3**). Use at least three screws to secure the pipe to this unit's exhaust blower. Also, if you do not use U.L.-approved twist-lock pellet pipe, be sure to use U.L.-approved Pellet Vent pipe, and fasten each joint of the pipe with at least three screws (ULC-approved if Canada).

Outside combustion air is mandatory for these units to work properly. Make this connection using a 1 7/8" I.D. metal pipe (steel, aluminum or copper) and coupler. Be sure to secure the pipe to the unit with a clamp or aluminum tape. The outside end should be covered (screened) to prevent any foreign matter from entering the system. Try to keep the number of bends in this pipe to a minimum. Our Part Number PU-OAK (Outside Air Kit with flex pipe) can be used.

NOTE: If an older unit, measure the opening to determine what size pipe to use.

NOTE: If the total run of the intake air connection exceeds 6', use 3" metal pipe and coupler instead.

7. Regularly inspect the burn pot area and, if any crust forms, remove it with a poker.
8. The ash in the burn pot should be removed regularly, depending on your burn rate. The area to the right and left of the burn pot is for ash storage; keep the air holes in the burn pot clean for a more efficient burn. Check your exhaust system frequently. Refer to "Ash Removal and Disposal" section.
9. Keep pellets and all other combustible materials a safe distance from the unit.
10. This unit will require floor protection if installed on a combustible surface. The minimum floor protector should give at least one inch (1") of protection at the rear, four inches (4") on each side, and six inches (6") minimum in the front of the unit.
11. Horizontal runs should not exceed four feet (4') with a maximum vertical flue height of thirty five feet (35'). At fifteen feet (15'), the pipe should be increased to four inch (4") pellet vent pipe.
12. This unit should be turned off and allowed to cool prior to cleaning. Any ashes should be kept in an airtight metal container and not disposed of until they are completely cooled.
13. Read the instructions thoroughly, including instructions concerning the digital control board, and save them for future reference.

14. Do not allow paint, chemicals or construction dust on or near your unit. Do not allow liquid or ANY foreign materials on or inside your unit. Shut your unit down and cover it when painting, construction or similar activity is taking place. Wipe and clean your unit after any construction is done in your home, or if any foreign material gets on or inside your unit. You may also need to remove the rear and side cover plates to your unit (unplug unit first) and vacuum and clean the motors and inside of your unit.
15. Improper gasket maintenance, including failure to replace gaskets, can cause air leaks resulting in smoke-backs. See Gaskets section of this manual, page 19.
16. Remember that, as with any appliance, there is user responsibility involved, including installation, operation and maintenance of this product. Be sure to check local codes, and call Technical Support at (800) 245-6489 if you have any questions.
17. **Be sure to follow the directions of all manufacturers of third party products that you use, including exhaust pipe, etc. Never use gasoline, lantern fuel, charcoal lighter fluid, diesel fuel or any other flammable liquid to start the fire. If you manually start your unit, recommended fire starter materials are: Wax-impregnated wood chips, cardboard cubes or firestarter chips designed for pellet stoves (see section on Manually Starting Unit). Follow any manufacturer's directions for these products, and NEVER place any firestarter on any hot surface or hot coals. Never apply any firestarter products of any kind to a hot surface or hot coals.**
18. **Basement Installation:** We recommend basement installation be performed only by a professional installer. For basement installations, a 3" (three inch) pipe and coupler must be used for Outside Combustion Air, and a minimum clearance of 3' (three feet) must be maintained from the ground to the pellet vent exhaust pipe outside the dwelling. Keep in mind that each elbow used reduces draft by 15%; it is good practice to add 3' (three feet) of vertical rise for each elbow used. Example: After the 2nd elbow used, have 6' (six feet) of vertical rise before terminating your vent pipe.

UNIT PREPARATION

1. Attach the spring handle to the door by turning it counterclockwise.
Important: Also check hopper latches – must be tight so that the top is sealed to prevent back-burn.
2. Test your 110-volt outlet for current and then plug in the unit. **(We highly recommend a surge protector for our pellet unit, as the control panel is electronic).**
3. It is important to note that this stove is equipped with a dual auger system. The top auger runs intermittently and drops pellets to the bottom auger; the bottom auger runs constantly and simply pushes the pellets forward to the burn pot. The control board ("Heat Range") setting determines the top auger feed rate.
4. The stove has a digital read-out control board and is started by pressing the "ON" touch pad. This will start the upper auger, bottom auger and exhaust blower. The room air blower will start later as the stove reaches the pre-set blower temperature (see "Control Board" section for further explanation).
5. Check to be sure both augers and the exhaust blower are operating before connecting the unit to the flue system. Be sure to "dry run" your unit for 20 minutes before connecting it to the flue (it should stop automatically after 20 minutes).

IMPORTANT NOTICE: This unit must be properly installed to prevent the possibility of a house fire or “smoke-back.” The instructions must be strictly adhered to. Do not use makeshift methods or material which may compromise the installation. Your unit requires periodic maintenance and cleaning (refer to manual). Failure to maintain your unit may lead to a variety of problems, including but not limited to smoke spillage into the home. England’s will not be liable for consequential or indirect damages to property or persons resulting from the use of this product.

FLUE SYSTEM

Caution: Follow the pipe manufacturer’s installation instructions and directions for passing through combustible walls and ceilings. *Be sure to check local codes in your area.*

NOTE: See the installation drawing later in this manual (Illustration 1).

This unit is equipped with a negative draft system that pulls combustion air through the burn pot and pushes the exhaust air out of the dwelling. If this unit is connected to the flue system other than the way explained in this manual, it will not function properly.

For any of these installations, keep in mind that each elbow used reduces draft by 15%; it is good practice to add 3’ (three feet) of vertical rise for each elbow used. Example: After the 2nd elbow used, have 6’ (six feet) of vertical rise before terminating your vent pipe.

Pellet Vent Pipe

The UL approved (ULC if Canada) pellet vent pipe that we recommend is a twist lock system; however, it is still recommended that high temperature silicone (**AC-RTV3**) be used at each joint. England’s Stove Works recommends the use of Dura-Vent® twist-lock pipe (**AC-3000 kit, AC-33000 if Canada**) - if you use other pipe, consult your local building codes and/or building inspectors, and secure each joint with at least three screws—see Important Information, above. *Do not* use “B” vent gas pipe or galvanized pipe with this unit. The pellet pipe is designed to disassemble for cleaning and should be checked several times during the burning season — pellet vent pipe is not furnished with the unit and must be purchased separately. For installations over 4000 ft. above sea level the exhaust should be vented with 4” pellet vent pipe (**AC-3100 kit, AC-33100 if Canada**). **Do not install a flue damper of any kind in this system, and do not connect this unit to a flue system serving another heating appliance.**

Through the Wall

To vent the unit through the wall, connect the pipe adapter to the exhaust motor adapter. If the exhaust adapter is at least eighteen inches (18”) above ground level, a straight section of pellet pipe can be used to initially pass through the wall (see **Illustration 1**). Your dealer or our factory should be able to provide you with a kit that will handle most of this installation, which will include a wall thimble that will allow the proper clearances through a combustible wall. Once outside the structure, a three-inch (3”) clearance should be maintained to the outside wall and a clean out tee should be placed on the pipe that extends through the wall. We require a minimum of three feet (3’) of vertical pipe with a 90-degree turn away from the house. At this point, a one-foot (1’) section and horizontal cap will complete the installation (see **Illustration 1**).

A wall strap should be placed just below the last 90-degree section to make the system more stable. If you live in an area that has heavy snowfall, it is recommended the installation be taller than three feet (3’) to get above the snowdrift line.

The same type installation can be used if your stove is below ground level by adding the clean-out section and vertical pipe inside until ground level is reached. However, we recommend basement installation be performed only by a professional installer. For basement installations, a 3” (three inch) pipe and coupler must be used for Outside Combustion Air, and a minimum clearance of 3’ (three feet) must be maintained outside the dwelling from the ground to the Pellet Vent Exhaust Pipe. We require a three foot (3’) minimum vertical rise on the inside or the outside of the dwelling.

The through-the-wall installation is the least expensive and simplest installation. In a through-the-wall installation you should be mindful of the snowdrift line, as well as dead grass and leaves. We recommend a three foot (3') minimum vertical rise on the inside or the outside of the dwelling.

Through the Ceiling

When venting the stove through the ceiling, the pipe is connected the same as through the wall, except the clean out tee is always on the inside of the house, and a 3" adapter is added before the clean-out tee. You must use the proper ceiling support flanges and roof flashing supplied by the pipe manufacturer -- follow the pipe manufacturer's directions and **Illustration 1** in this manual. It is important to note that if your vertical runs of pipe are more than fifteen feet (15'), the pellet vent pipe should be increased to four inches (4") in diameter. Do not exceed four feet (4') of pipe on a horizontal run, and do attempt to use the least number of elbows in the flue system. If an offset is used it is better to install a 45-degree elbow whenever possible. *NOTE: Installing elbows may inhibit your draft by up to 15% per elbow.*

Existing Flue System

If you are replacing a wood stove with a pellet unit the chimney or pipe should be thoroughly cleaned before proceeding with the installation. If connecting this stove to a factory built chimney, it may **ONLY** be a 6" flue, UL103 HT venting system (ULC S629 if Canada). Connection to any other factory built chimney may result in a poorly operating or dangerous stove installation. When connecting to an existing masonry chimney, the cross-sectional area of the flue must be considered. A chimney with a flue larger than 6" round (28.27 sq. in.) may require relining with an approved pellet stove chimney lining system. Make sure the chimney meets the minimum standards listed in NFPA 211 (A chimney professional can confirm this upon inspection).

Outside Air (Outside Combustion Air Intake)

Outside air is mandatory for this unit to operate properly. This unit has been designed and tested with this connection, because so many homes are airtight and there is not adequate combustion air available inside the dwelling. The air intake pipe is located on the bottom side of the burn pot (from the rear) and measures 1 1/2" inside diameter (I.D.). The connection can be made with a metal 1 7/8" I.D. coupler and pipe (see "Important Information" section of manual), and should exit through the wall. Be sure to secure the pipe to the unit with a clamp or aluminum tape. The outside end of the pipe should be covered (screened) to prevent foreign matter from entering the system. Our Outside Air Kit (Part Number PU-OAK) can be used. If the unit is located below ground level, you will need to run the pipe up and then outside the dwelling. *NOTE: If the total run of the connection exceeds 6', if more than 2 elbows are used, or if a basement installation, use 3" metal pipe (and coupler) instead.* Note: If an older unit, measure the opening to determine what size pipe to use or couple to.

Mobile Home Installation

Secure the heater to the floor using the two holes in the pedestal. If the unit is on a combustible surface, you will need to drill matching holes in the floor protection that you choose (see Floor Protection section). Do not disturb the structural integrity of the home, be sure the unit is permanently electrically grounded to the chassis of your home and remember that outside combustion air is mandatory. The wood stove **MUST** be secured to the floor of the mobile home using lag bolts and the holes provided in the bottom of the unit for this purpose. Use a #8 copper wire to ground stove to frame of mobile home.

WARNING: DO NOT INSTALL IN SLEEPING ROOM

CAUTION: THE STRUCTURAL INTEGRITY OF THE MANUFACTURED HOME FLOOR, WALL AND CEILING/ROOF MUST BE MAINTAINED.

IMPROPER INSTALLATION: The manufacturer will not be held responsible for damage caused by the malfunction of a stove due to improper venting or installation.

Call 800-245-6489 and/or consult a professional installer if you have any questions.

IMPORTANT: Improper hook-up (too much pipe, too many elbows, etc.) will cause the unit not to operate. Call Technical Support (800-245-6489) if you have questions about your hook-up or if your unit will not operate.

IMPORTANT: READ AND FOLLOW ALL INSTALLATION AND MAINTENANCE INSTRUCTIONS, INCLUDING CLEANING THE UNIT AS SPECIFIED, AND REPLACING GASKETS ANNUALLY, AND PARTS AS NEEDED.

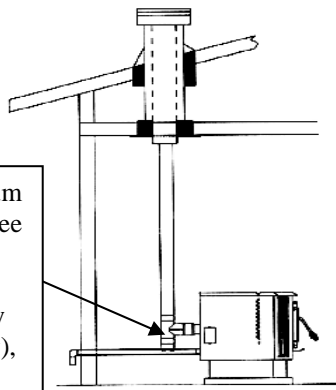
ENGLAND'S STOVE WORKS IS NOT RESPONSIBLE FOR ANY DAMAGE OR INJURY INCURRED DUE TO NEGLIGENCE, OR DUE TO UNSAFE INSTALLATION OR USAGE OF THIS PRODUCT. CALL TECHNICAL SUPPORT WITH ANY QUESTIONS.

Freestanding Pellet Installation

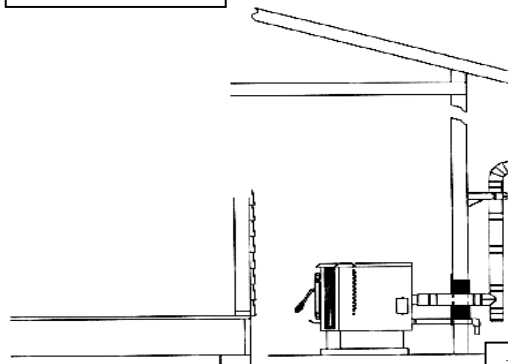
Caution: Follow the pipe manufacturer's installation instructions and directions for passing through combustible walls and ceilings. Check local codes in your area.

Illustration 1

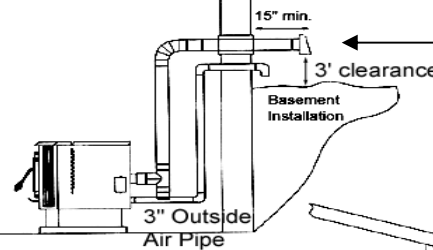
Must have minimum 3" adapter before tee for longer run. For shorter run (such as Masonry Connection below), tee alone is acceptable.



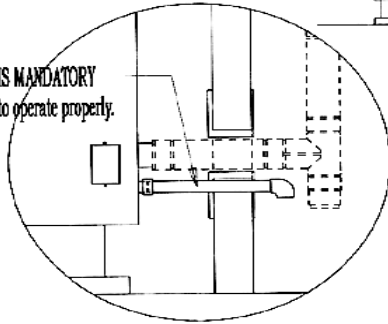
Our Part AC-3000 is acceptable for through-the-wall installation; AC-3100 for 4000+ ft. installations. (AC-33000 or AC-33100 if Canada)



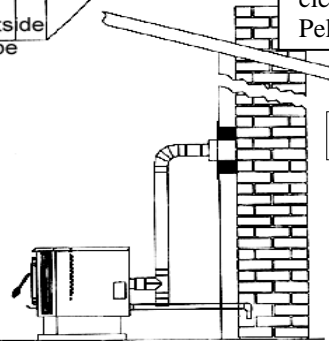
Basement Installation should be performed by professional installer. Use 3" metal pipe and coupler for Outside Combustion Air. Minimum 3 feet (3') clearance from ground to the Pellet Vent Exhaust Pipe.



Outside AIR IS MANDATORY for this unit to operate properly.



Masonry Connection



1. If 3" flue pipe exceeds 15' in length, increase to 4" flue pipe for remaining flue connections.
2. Total flue length should not exceed 35'.
3. Horizontal run not to exceed 4'.
4. Floor protector must extend 6" from front of unit, 4" from sides and 1" from rear.
5. If the total run of outside air connection exceeds 6', if more than 2 elbows are used, or if a basement install, use 3" metal pipe (and coupler) instead.
6. *Outside Air is mandatory for proper safe operation.*

WARNING - INSTALL VENT AT CLEARANCES SPECIFIED BY THE VENT MANUFACTURER.

Floor Protection

If your floor is constructed of a non-combustible material such as brick or concrete, there is no need for floor protection. If the floor is constructed of a combustible material such as hardwood, linoleum, or carpet, then you will be required to use floor protection between the unit and the combustible. The protection should be U.L. approved or equivalent (ULC if Canada) and must be large enough to provide a minimum of one inch (1.0") behind, four inches (4.0") on both sides of the stove and at least six inches (6.0") in the front of the unit. This floor protection is intended as spark and ember protection only, therefore it need only be noncombustible (there is no required R value).

NOTE: Canada requires 450 mm floor protection in front and 200 mm to the sides & rear.

Wall Protection

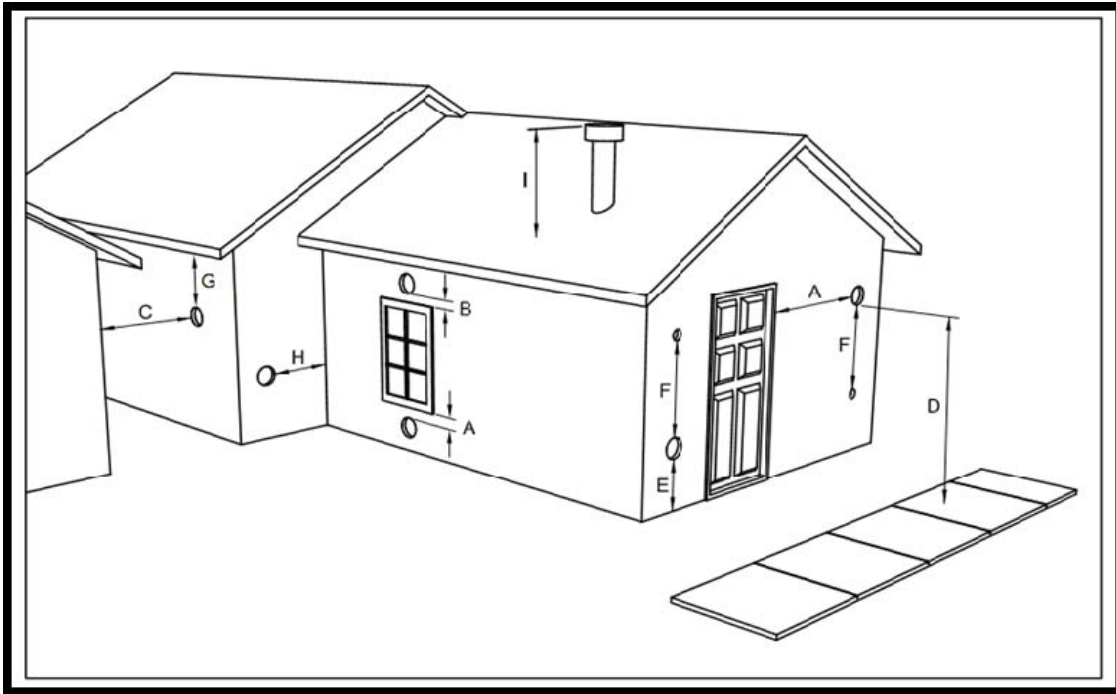
From the rear and the sides of this stove only six inches (6") of clearance is required to paneling, wallpaper or drywall. The pellet vent pipe usually requires the standard three inches (3") of clearance, or as recommended by the manufacturer. Normally additional wall protection is not required with this type unit.

10

IMPORTANT! READ AND FOLLOW ALL INSTALLATION AND MAINTENANCE INSTRUCTIONS, INCLUDING CLEANING THE UNIT AS SPECIFIED, AND REPLACING GASKETS ANNUALLY, AND PARTS AS NEEDED. ENGLAND'S STOVE WORKS IS NOT RESPONSIBLE FOR ANY DAMAGE OR INJURY INCURRED DUE TO NEGLIGENCE, OR DUE TO UNSAFE INSTALLATION OR USAGE OF THIS PRODUCT. CALL TECHNICAL SUPPORT WITH ANY QUESTIONS.

VENT TERMINATION CLEARANCES

- A) MIN. 4-FT CLEARANCE BELOW OR BESIDE ANY DOOR OR WINDOW THAT OPENS.
- B) MIN. 1-FT CLEARANCE ABOVE ANY DOOR OR WINDOW THAT OPENS.
- C) MIN. 2-FT CLEARANCE FROM ANY ADJACENT BUILDING.
- D) MIN. 7-FT CLEARANCE FROM ANY GRADE WHEN ADJACENT TO PUBLIC WALKWAYS.
- E) MIN. 2-FT CLEARANCE ABOVE ANY GRASS, PLANTS, OR OTHER COMBUSTIBLE MATERIALS.
- F) MIN. 3-FT CLEARANCE FROM A FORCED AIR INTAKE OF ANY APPLIANCE.
- G) MIN. 2-FT CLEARANCE BELOW EAVES OR OVERHANG.
- H) MIN. 1-FT CLEARANCE HORIZONTALLY FROM COMBUSTIBLE WALL.
- I) VENTS INSTALLED WITH MECHANICAL EXHAUSTERS SHALL TERMINATE NOT LESS THAN 12 IN. (305MM) ABOVE THE HIGHEST POINT WHERE THEY PASS THROUGH THE ROOF SURFACE.



Notes on termination of Pellet Vent Pipe from NFPA 211 (2006 ed.) Section 10.4 Termination: 10.4.5
(See also “FLUE SYSTEM” section of manual AND additional notes above):

- Not less than three (3) feet above any forced air inlet located within ten (10) feet.
- Not less than four (4) feet below, four (4) feet horizontally from, or one (1) foot above any door, window or gravity air inlet into any building.
- Not less than two (2) feet from an adjacent building, and not less than seven (7) feet above grade where located adjacent to public walkways.

The exhaust exit shall be arranged so that the flue gases are not directed so that it will affect people, overheat combustible structures, or enter buildings. Forced draft systems and all parts of induced draft systems under positive pressure during operation shall be installed gastight or to prevent leakage of combustion products into a building. Through-the-wall vents shall not terminate over public walkways, or where condensate or vapor could create hazards or a nuisance.

*Be sure to follow local codes and all manufacturer's instructions (including exhaust pipe).
Consult a professional installer and/or call Technical Support if you have any questions.*

OPERATING INSTRUCTIONS

CAUTION: DO NOT OPERATE WITH THE DOOR OPEN.

**If door is left open (approximately) two minutes, unit will stop feeding and fire will go out.
Do not burn trash (paper bags, etc.) in this unit.**

This stove has an induced draft system and is designed to operate continuously, as frequent shutdown is not required. The digital control board operates the unit with a time delay-relay system; this system controls the top auger feed rate by operating for a predetermined number of seconds while the bottom auger runs constantly. The setting of the “**Heat Range**” touch pad will control the heat output and the amount of pellets the unit will burn (see “Control Board” section and **Illustration 3**). Note: This stove is using solid fuel and will not restart automatically.

* **NOTE:** Blower Speed will automatically be adjusted to the desired Heat Range that you select.

Horizontal Feed System

This unit has a top and a bottom auger that are separated by four inches (4”); a 1-RPM motor drives each auger. The top auger intermittently drops pellets to the bottom auger tube, and the bottom auger pushes the pellets forward to the burn pot. This helps prevent build-up of fuel in the bottom auger tube. As pellets enter the burn pot the combustion air is drawn across the fuel.

START- UP PROCEDURE

Caution - Never use gasoline, lantern fuel, charcoal lighter fluid, diesel fuel, or any other flammable liquid to start the fire.

1. Be sure the hopper is clean and free from foreign materials. Be sure there is current at your outlet (we do recommend a surge protector with our unit).
2. **Before your first fire dry run your unit (with no pellets in the hopper) for 20 minutes.** Press the “ON” button to begin the dry run. After the 20 minute dry run, the control board will return to “OFF.” An error code will appear in the Heat Range and the Blower Speed windows as “E-2,” which means the unit failed to start normally. After this code is received and you are sure the unit is working properly, fill the hopper with wood pellets. Do not allow any part of the bag or any foreign material in the hopper, as this may jam the augers. Ensure that all pellet matter is cleared from the hopper lid gasket, make sure the hopper lid latches and the door of the unit are securely closed and press the “ON” button; this will clear the error code and restart your unit.

Automatic Start-Up

When the “ON” button is pressed from a cold start, the unit is in “Start-Up” (after 3 seconds, there will be an “S U” in the Heat Range and Blower Speed windows to verify this). While in this mode, the unit has a preset heat range and will remain in this mode for 20 minutes to prevent the unit from over-firing. During this start-up period you can set the Control Board at the setting you desire; after the start-up is complete, the unit will operate at the user setting.

Manually Starting Your Unit

In the event the Auto-Start does not initiate, you may manually start your unit. To manually start your unit, first clean any pellets out of the burn pot (to prevent over-feeding). Place a handful of new pellets in the burn pot, then spread a small amount of pellet fire starter over the pellets and ignite them. After the pellets ignite, close the door to your unit and press the “ON” button (if the door is closed before the pellets fully ignite, the Exhaust Blower could put out the fire).

Recommended fire starter materials: Wax-impregnated wood chips, cardboard cubes or firestarter chips designed for pellet stoves. Follow any manufacturer’s directions for these products, and NEVER place any firestarter on any hot surface or hot coals. Never use gasoline, lantern fuel, kerosene, charcoal lighter fluid, diesel fuel or any other flammable liquid to start the

fire. Do not use the manual startup method if the igniter is working. NEVER place firestarter near the igniter.

If you have continued problems with the Auto-Start Igniter, call Technical Support.

E-Codes

“E-Codes,” or Error Codes, are codes that will appear in the Heat Range and Blower Speed windows of the Control Board if your unit experiences problems. If you receive any of these codes, first attempt to reset your unit by pressing the “ON” button (only once). If the unit continues to display any E-Code(s), please contact Technical Support at (800) 245-6489 before further attempting to restart your unit.

1. E-1 = Vacuum Loss
 2. E-2 = Fail to Start
 3. E-3 = Over Temperature Limit
- NOTE: “E-0” indicates “No Error”

First Fire: Adjust the “Heat Range” to a “5” setting and allow the stove to burn in this manner for *at least* three (3) hours. This will allow the unit to “cure out” as the paint and the oils from the manufacturing process burn off. We recommend you open doors and windows in your dwelling during this process.

Subsequent Cold Starts: In a cold start situation, the unit should be operated at a “5” setting until the room air blower begins to operate.

NOTE: The start-up cycle for this unit with the Auto-Start Igniter is 13 minutes. Press the “ON” button only once on start-up. Pressing the “ON” button a second time during the start-up cycle will cause the start-up cycle to begin again.

IMPORTANT: If the unit fails to start properly, or does not properly complete the Shut-Down procedure, **open the closest outside door and a window to eliminate the home’s natural draft BEFORE opening the stove’s door or hopper lid.** This will allow any smoke to exit through the external air hook-up instead of spilling into the home.

SHUT-DOWN PROCEDURE

WARNING: NEVER SHUT DOWN THIS UNIT BY UNPLUGGING IT FROM THE POWER SOURCE.

Refer to the following instructions:

Press the “OFF” touch pad to put the stove in the “Shut-Down” mode. There will be an “S D” in the Heat Range and Blower Speed windows while the unit is shutting down to verify this. At this time the red light above the “OFF” pad will illuminate. When the “OFF” pad is touched the top auger will instantly stop feeding pellets to the bottom auger tube, but the room air blower, exhaust blower and bottom auger will continue to operate. When the internal temperature drops to 95 degrees the room air blower will cease to operate, and when the internal temperature drops to 90 degrees the bottom auger and exhaust blower will stop. The red light will then shut off and the entire stove will be shut down. The hotter the unit is operating, the longer it will take for the stove to complete the Shut-Down cycle.

Note: The unit will exit the Shut-Down cycle if you press any buttons during Shut-Down.

Note: If the room temperature stays above 70 degrees the stove will remain in the Shut Down mode for 60 minutes, regardless of the temperature reading at the heat sensor. If the stove stays on longer than 60 minutes the unit will automatically turn off.

DAILY OPERATION

Refueling the Unit

Always press the “OFF” touch pad before refueling. This unit has a 40-lb. hopper, and should be refilled when the hopper level drops to three or four inches.

Do not install or operate this unit outside, in a greenhouse, or in any area that is high in moisture.

Note: The hopper lid will be warm; therefore, you should always use some type of hand protection. NEVER place your hand near the auger while the stove is operating.

Note: Always ensure that all pellet matter is cleared from the hopper lid gasket before closing. Be sure to close and latch hopper **securely** before re-firing. Do not operate this unit with the hopper lid open or unsecured.

Power Outage

If the power to the unit is interrupted for approximately three minutes or less, the unit will resume operation when power is restored according to the following table:

Unit's State Before Power Loss	State When Power Returns
ON	Start-Up
Start-Up	Start-Up
Shut-Down	Shut-Down
OFF	OFF

If the power is interrupted for more than (approximately) three minutes, the unit will be “OFF” when power returns.

Important: Do NOT open the hopper lid or the door to the unit during power outage. Open the closest outside door and a window to eliminate the home's natural draft. Wait for power to be restored and then press the “ON” button to re-start the unit, if necessary.

We highly recommend the use of a surge protector with your unit, as power surges and failures can affect the operation of any electrical appliance.

We do not recommend leaving home with the stove on the higher heat ranges; it is recommended that the stove be left on the lower heat ranges (Heat Range setting 1 or 2).

NOTE: Remember: 1) It is **very** important for the unit to be vented properly (see instructions on Outside Air), as the natural draft is needed to clear the smoke from the stove. 2) Do not open the hopper lid (or the unit's door). This may cause fire to burn in the hopper.

Fuel Outage

If the unit should run out of pellets, simply reload the hopper and press the “ON” button (only once) to re-start the unit. If the unit runs without pellets, after one hour the unit will shut down.

NOTE: Even if flames are visible inside the fire box always press the “ON” button to ensure that your unit will restart.

Combustion Blower Failure

If the Combustion (exhaust) Blower should fail on this unit, a Vacuum Shut-Down Switch will automatically stop the stove. This will shut your unit completely off, and there will be an “E-1” code in the Heat Range and Blower Speed windows on the Control Board. At this point you will need to contact Technical Support at (800) 245-6489.

NOTE: It is **very** important for the unit to be vented properly (see instructions on Outside Air), as the natural draft is needed to clear the smoke from the stove.

As with any maintenance concerning this unit, be sure the unit is "OFF" and has completed the Shut-Down cycle **BEFORE** beginning. Be aware that metal parts in the firebox can remain **HOT** long after the fire has gone out and **EVEN** after the Shut-Down cycle is complete. Always use extreme caution when handling potentially hot stove parts, even if you think they should be cold.

NOTE: The instructions below concerning the cleaning of the burn pot and wear plate area are **especially important** to the function of your stove. Failure to follow them regularly can result in burn-back and can damage your unit and/or void your warranty.

ASH REMOVAL AND DISPOSAL

IMPORTANT: While the amount of ash generated by this unit is not excessive compared to log-burning woodstoves, keeping the unit clean and free of ash is essential for peak performance. Too much ash build-up hampers airflow and reduces the unit's efficiency, and can cause smoke-back. Follow these directions at least as frequently as the schedule below, or more often if needed.

****Failure to properly clean your stove can cause poor performance and possibly a burn back!****

Daily Ash Maintenance

Press the "OFF" touch pad and allow the stove to burn for five (5) minutes prior to opening the door. A long-handled screwdriver or long-handled putty knife can be used to scrape off any build-up or crust in the burn pot area. This can then be pushed to the left or right into the ash storage area.

Semi-Weekly Ash Removal

Twice each week: Shut the unit down by pressing the "OFF" pad and allowing the unit to go through the complete Shut-Down cycle. Allow the unit to completely cool down and then remove the ashes with a scoop. The ashes should be placed in a non-combustible container with an airtight lid and should always be placed on a non-combustible surface or on the ground until completely cooled and free of hot cinders.

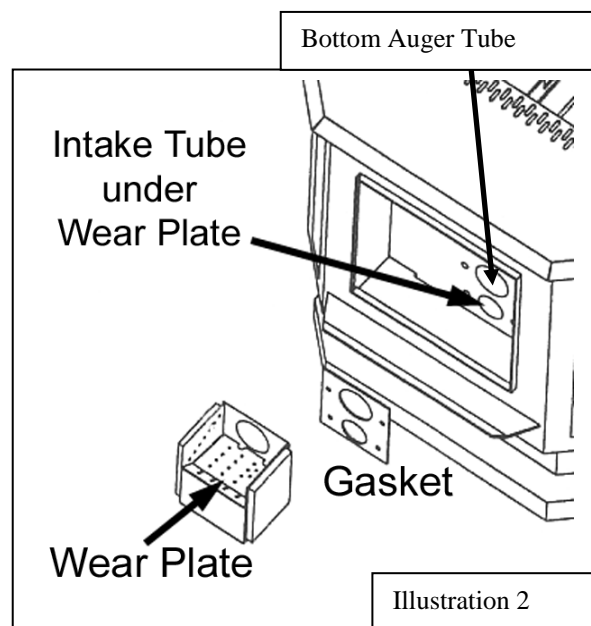
Once the ash is removed, the burn pot should be given a thorough inspection. Remove and clean the burn pot wear plate (refer to the exploded diagram in the rear of this manual – **Illustration 6**, and the close-up diagram shown here), and remove any ash build-up in the area below the wear plate. Also, be sure there are no ashes or obstructions in the tube under the wear plate. Check for any build-up in the front of the burn area. Clean out all air holes (if necessary a 1/8" drill bit can be used) --these air holes should be kept clean, as they supply combustion air under and around the pellet fuel. The burn pot assembly should also be thoroughly cleaned, including the burn box. When replacing the wear plate, ensure that it lies flat in the firebox and no gaps (from ash residue) are under it.

IMPORTANT: Ash build-up under the wear plate can cause the unit to malfunction.

Disposal of Ashes

Ashes should be placed in a metal container with a tight fitting lid. The closed container of ashes should be placed on a noncombustible floor or on the ground, well away from all combustible materials, pending final disposal. If the ashes are disposed of by burial in soil or otherwise locally dispersed, they should be retained in the closed container until all cinders have been thoroughly cooled.

CLEANING THE UNIT AS SPECIFIED, AND REPLACING GASKETS ANNUALLY, AND PARTS AS NEEDED. ENGLAND'S STOVE WORKS IS NOT RESPONSIBLE FOR ANY DAMAGE OR INJURY INCURRED DUE TO NEGLIGENCE, OR DUE TO UNSAFE INSTALLATION OR USAGE OF THIS PRODUCT. CALL TECHNICAL SUPPORT WITH ANY QUESTIONS.



Monthly Ash Removal

The large baffle plate (12" x 13") that rests above and behind the burn pot (refer to the exploded diagram in the rear of this manual – **Illustration 6**) should be removed monthly. This can be done by lifting up the plate and pulling it out. The area behind the plate should then be cleaned thoroughly, and the plate placed back in the original position.

Use a screwdriver or chisel and break any creosote build-up in the front of the unit, where the pellets are fed into the burn pot from the Bottom Auger Tube (see **Illustration 2**). Moisture in the pellets and resulting build-up in this area can cause the bottom auger to “squeal” or squeak.

Also inspect your flue pipes, and remove ash buildup from the clean-out tee.

Carbon Removal: During normal operation carbon from the combustion of pellet fuel will tend to build up on the tip of the auger, on the wear plate and sides of the fire pot, and in the mouth of the feed tube. It is essential that this residue be removed to ensure trouble free operation of the unit. The frequency with which this carbon must be removed varies with brands of pellets, depending on moisture content, wood type, foreign material (dirt, etc.) in pellets, and other factors.

To remove this carbon, simply scrape it off using the blade of a flat tipped screwdriver or similar instrument; also, to remove it from the feed tube, scrape as much as can be easily reached, then insert an emery board (fingernail file made from a popsicle stick and sandpaper) between the feed auger and the feed tube and sand out any residue not removed from scraping alone. Clearing this carbon residue from the feed tube is essential for proper operation of the feed auger, which is designed to float freely in the feed tube allowing smooth fuel flow, a lesser possibility of a jam, and a quieter unit.

Annual Cleaning

The stove and the flue system should be given a complete cleaning at the end of the heating season. Remove the burn pot assembly, clean it thoroughly, and re-install it (refer to **Illustration 6**); this will require new gasket for the burn pot. Be sure to tighten the set screws when you replace them, but do not over-tighten. In addition to the cleaning mentioned for semi-weekly and monthly, the Combustion (exhaust) Blower should be removed annually and the blower tube vacuumed of any ash build-up. *Note:* There is a Combustion Motor Gasket (Part **PU-CBMG**), which allows you to remove the motor from the Combustion Blower housing, clean your stove, and replace the motor and gasket without having to remove the entire Combustion Blower. However, if you must remove or replace the entire Combustion Blower, a new blower flange gasket (Part # **PU-CBMG**) should be added between the blower flange and the steel exhaust tube.

Since the convection (room air) blower does not handle any by-products of combustion, it does not require serious cleaning like the exhaust blower. However, dust from the home and other debris in the air can accumulate on the blades of the convection blower. The convection blower is located on the side of the stove opposite the combustion blower, and should be removed for cleaning. Any dust that has built up on the fan blades can usually be easily removed with a vacuum or a soft paint brush.

Soot and Fly Ash: Formation and Need for Removal

The products of combustion will contain small particles of fly ash. The fly ash will collect in the exhaust venting system and restrict the flow of the flue gases. Incomplete combustion, such as that which occurs during startup, shutdown or incorrect operation of the room heater will lead to some soot formation which will collect in the exhaust venting system. The exhaust venting system should be inspected at least once every year to determine if cleaning is necessary.

MAINTENANCE

CAUTION: UNPLUG THE UNIT PRIOR TO ANY SERVICE WORK!

SEE EXPLODED DIAGRAM (ILLUSTRATION 6) FOR PARTS REFERENCE

Parts Orders: (800) 516-3636 www.HeatRedefined.com Questions: (800) 245-6489

NOTE: Visit our web site for downloadable maintenance sheets and/or a service video that details and illustrates the following maintenance tasks.

Rear Panel Removal

WARNING: To perform any maintenance inside the rear of the unit, the stove must be out (no fire), cooled down and unplugged. Electrical shock can occur if the unit is not unplugged from power.

To remove the rear panel, simply loosen the eight (8) screws (size 5/16") and flex the panel. The panel should come off without fully removing the screws.

Instructions for maintenance and part replacement procedures can be found on:

www.HeatRedefined.com

Auger Motors

The Auger Motor and gearbox are one complete assembly (Part # **PU-047040**), and can be removed by disconnecting the power leads and loosening the (⁵/₁₆" head) set bolt in front of the assembly. This bolt tightens down *on the flat side of the gear shaft* and locks the gear shaft and auger shaft together – once the bolt is loosened, the entire assembly will slide from the locking collar. There are two motor assemblies on the unit, and both rest on a shelf when not in operation. When replacing a motor, the assembly should always be placed to rest on this shelf prior to starting the unit.

Auger Bearings and Auger Shafts

The auger bearings (Part # **PU-UCF204-12**) are a sealed unit and do not require lubrication. To replace the Top Auger, all the fuel must be removed from the hopper as well as from the Top Auger assembly. Once this is done, the four bolts that hold in the bearing can be removed, followed by the complete auger assembly. Loosen the two (2) set screws with a 1/8" Allen wrench, which will disconnect the bearing from the shaft (the bearing assembly and auger assembly can be replaced by reversing this procedure). When placing the auger assemblies in the unit, always tighten the four bolts in a diagonal pattern to ensure the bearings and shafts are aligned properly.

NOTE: Follow the same procedure to work on the bottom auger, with the exception that the pellets do not have to be removed from the hopper.

Convection Blower

The Convection (room air) Blower (Part # **PU-4C442**) is located on the left side of the unit and can be removed by disconnecting the power leads and removing the four mounting screws. Once this is done, the blower will slide out of the stove. This procedure can be reversed to install a new blower.

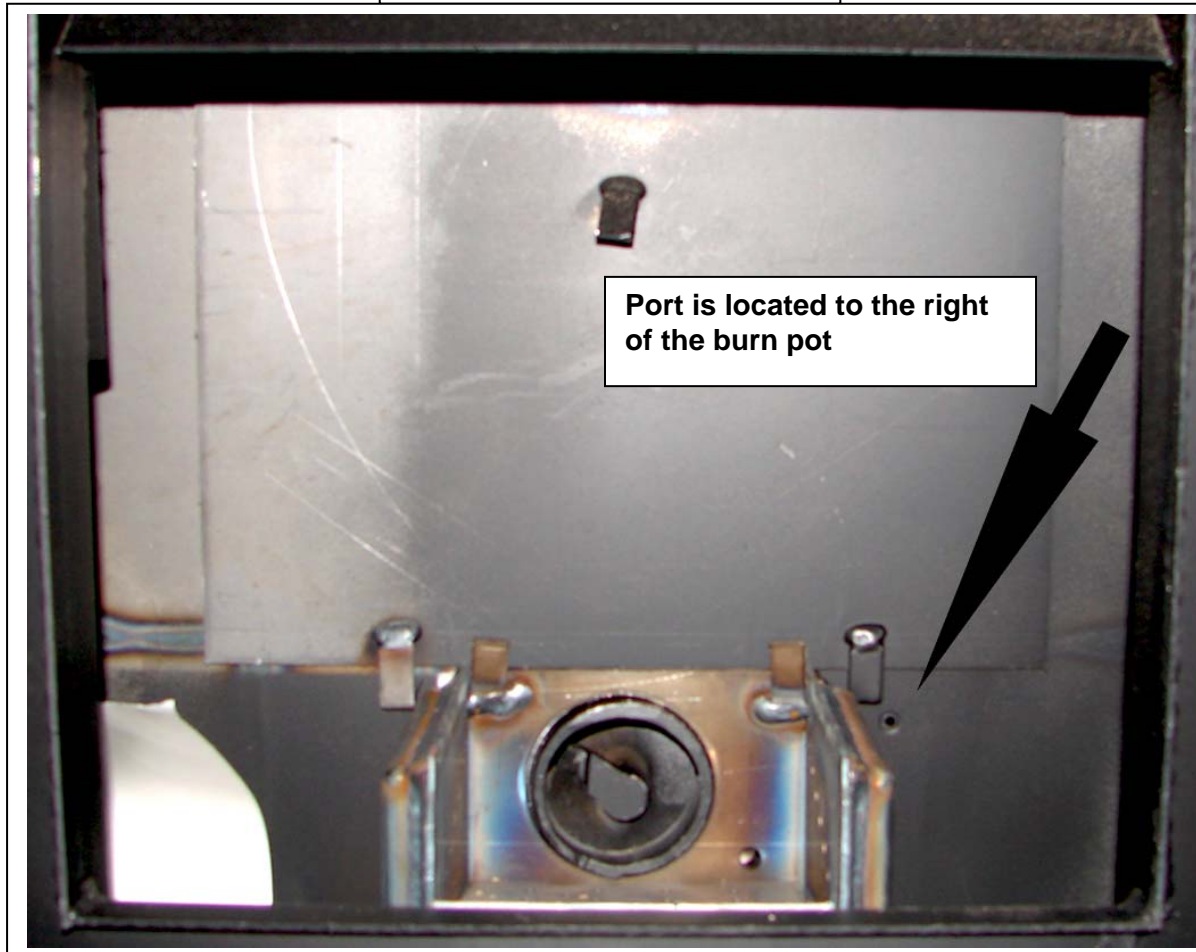
Combustion Blower

To replace the Combustion (exhaust) Blower (Part # **PU-076002B**), the power leads and the pellet vent pipe must be disconnected. Next, remove the screws that hold the blower to the steel exhaust tube and slide the blower from the stove. *Note:* There is a Combustion Motor Gasket (Part # **PU-CBMG**), which allows you to remove the motor from the Combustion Blower housing, clean your stove, and replace the motor and gasket without having to remove the entire Combustion Blower. If cleaning your blower, the blower impeller, blower tube and steel blower exhaust tube on the unit should be brushed and vacuumed. However, if you must remove or replace the entire Combustion Blower, a new blower flange gasket (Part # **PU-CBMG**) should be added between the blower flange and the steel exhaust tube.

Vacuum Switch

This unit is equipped with Vacuum Shut Down Switches (Part # **PU-VS** and **CU-VS**), which help control various functions of the unit. If an operational error occurs in the unit, a switch will either stop the top (feed) auger or shut the unit off; if the unit turns off an E-1 Code (error code) will appear in the Heat Range and Blower Speed windows of the Control Board. Situations which could cause this include power failure, Combustion Blower failure, improper flue installation, a blocked flue (from rodents, nests, etc.), or "dirty burning" from burning improper fuel (see "Important Information" at the beginning of the manual).

"Door Ajar" Vacuum Switch Port



NOTE: The "door ajar" vacuum switch port must be kept clean, or the top auger will cease to function. Locate the port hole to the right of the burn pot and, with the stove unplugged and cooled down, use a brush or pipe cleaner (not a vacuum) to keep this port clear of ash or other debris (see picture).

Hopper Lid Safety Switch

This unit is equipped with a hopper lid safety switch (Part # **AC-HLSB**) which is directly connected to the top auger motor. In the event the hopper lid is left open while the stove is in operation, the hopper lid switch will prevent the top auger from turning. This is to prevent byproducts of combustion from entering the home through the open hopper lid and also to simply prevent operation with the hopper lid open.

Improper hopper lid safety switch operation will result in a top auger that will not turn and therefore a stove that will not burn. NEVER place your hand or any object near the auger while the stove is connected to power.

Gaskets

IMPORTANT: IMPROPER GASKET MAINTENANCE, INCLUDING FAILURE TO REPLACE GASKETS, CAN CAUSE AIR LEAKS RESULTING IN SMOKE-BACKS. CHECK GASKETS OFTEN FOR AIRTIGHT SEAL AND REPLACE AS NECESSARY. IT IS MANDATORY TO REPLACE GASKETS ANNUALLY.

This unit comes with a 3/4" rope gasket around the door that should be replaced annually. To replace the *door gasket* (Part # **AC-DGKC**), the old gasket must first be removed entirely — prior to adding the new adhesive, you may have to scrape the old cement from the door channel. Once the cement and gasket have been added, the door should be closed and latched for twenty-four hours to allow the cement to harden.

If you are replacing the *window gasket* (Part # **AC-GGK**), the new gasket will already have adhesive on one side. Remove the paper on the adhesive side and place the gasket around the outside edge of the glass by forming a "U" with your fingers and placing the gasket around the glass.

It is important to change the hopper lid gasket if it shows any wear. Be sure to replace the hopper lid gasket annually, or sooner if necessary.

Note: There is a Combustion Motor Gasket (Part # **PU-CBMG**), which allows you to remove the motor from the Combustion Blower housing, clean your stove, and replace the motor and gasket without having to remove the entire Combustion Blower. However, if you must remove or replace the entire Combustion Blower, a new blower flange gasket (Part # **PU-CBMG**) should be added between the blower flange and the steel exhaust tube.

Finish

This new unit has been painted with High-Temperature Paint that should retain its original look for years. If the unit should get wet and rust spots appear, the spots can be sanded with plain steel wool and repainted. We recommend this paint, as others may not adhere to the surface or withstand the high temperatures.

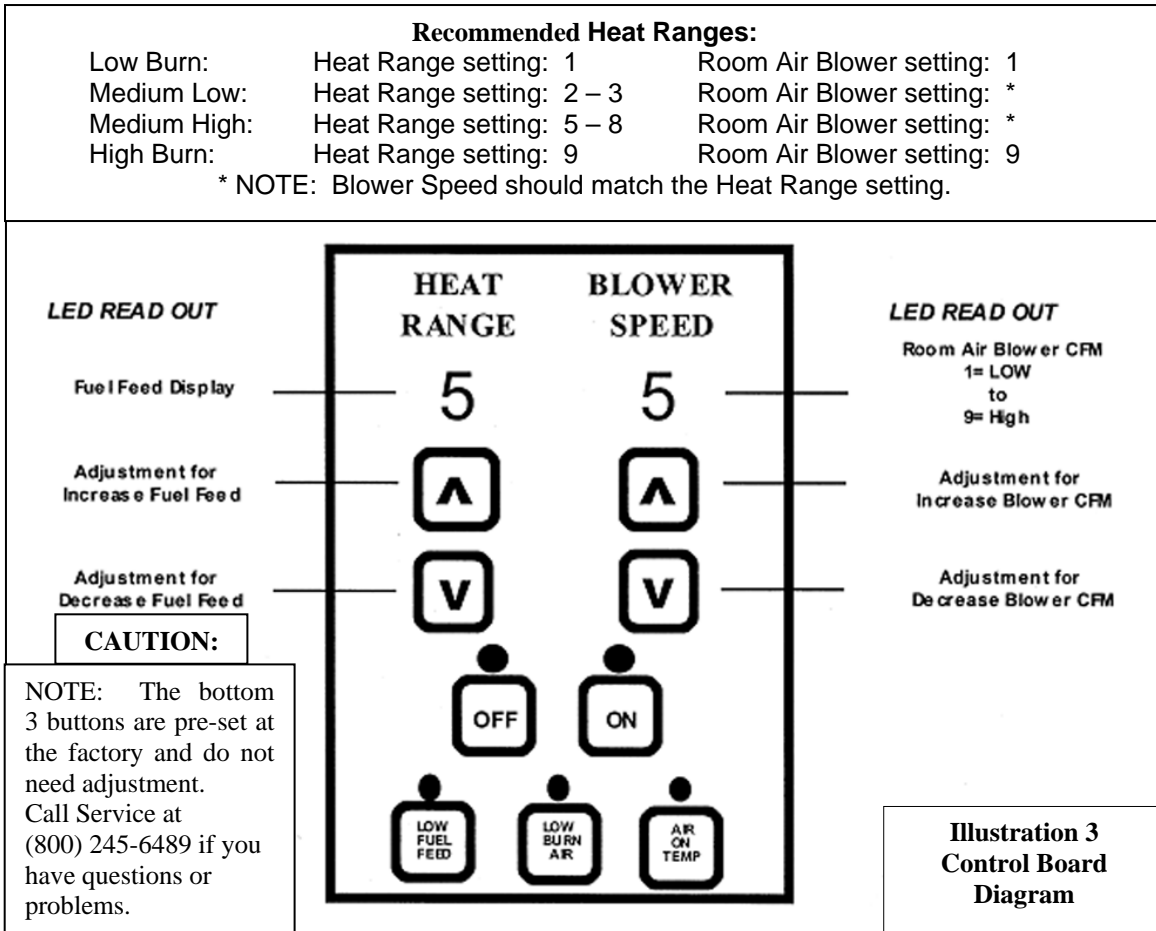
Glass

This unit has a 9" x 9" ceramic glass (Part # **AC-G9**, comes with gasket) in the viewing door. Surface scratches are acceptable and normal, but if this glass becomes cracked in any area, the unit should be shut down and the window replaced with this high-temperature ceramic glass.

Control Board

The Control Board (Part # **PU-CB04**) is a digital read-out board. This board offers a wide variety of settings to operate the unit. This part can be removed from the unit by loosening the two outside screws and pulling the board back to the inside of the stove. The rear access panel should be removed prior to removing the control board. A 6-amp “quick-blow” fuse (Part # **PU-CBF6**) is used on this Control Board.

NOTE: The bottom three control buttons are preset at the factory and should *not* require any changes. See “Operating Instructions” and “Daily Operation” section of the manual for instructions on other Control Board settings.

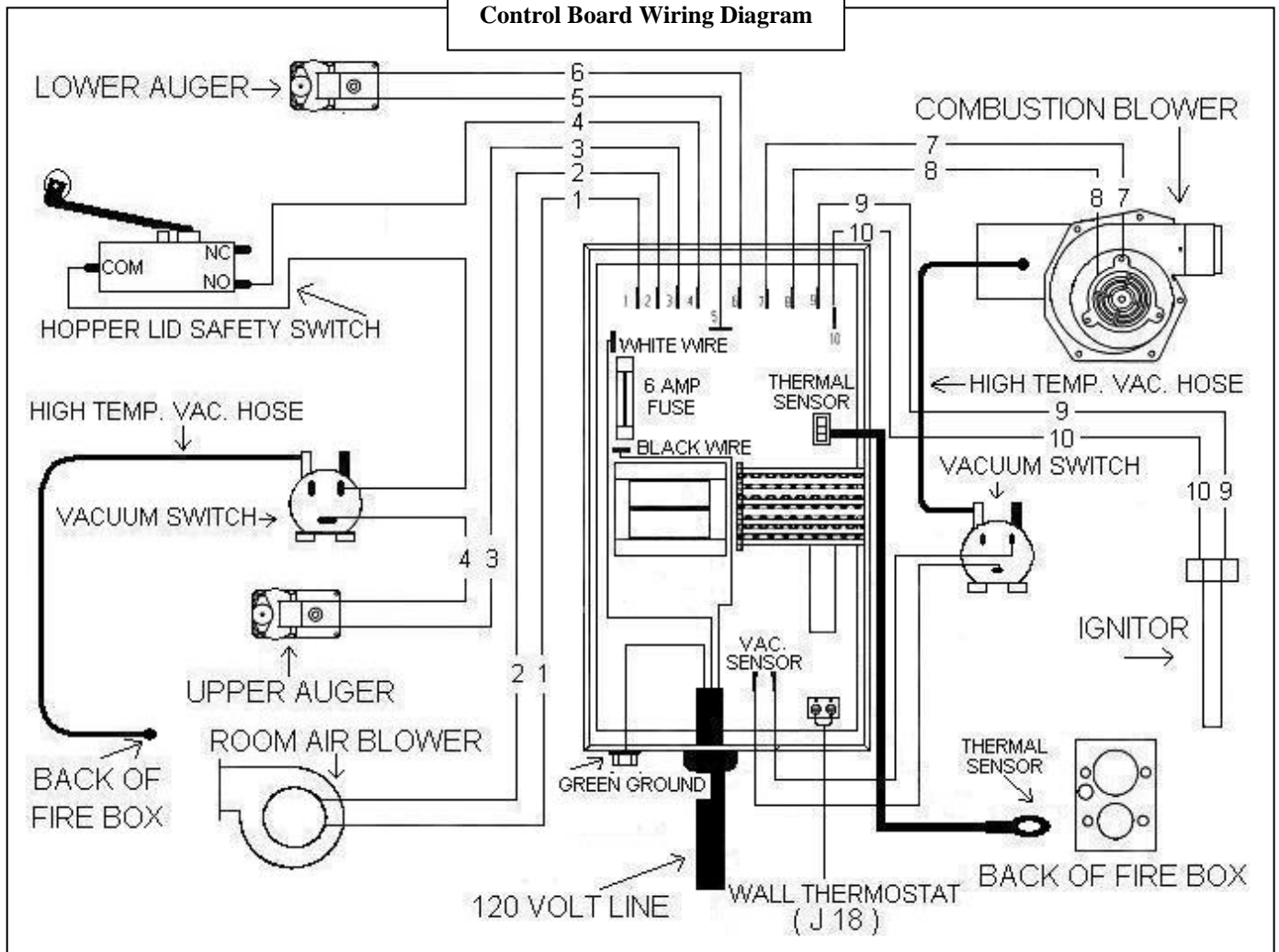


Caution

Should you see any evidence of smoke in the hopper (smoke back), immediately close and latch the hopper lid and door to the unit. Open the nearest windows and door to the outside, then press the OFF button and let the unit cool for at least 3 hours. Do not open the door or hopper lid. This is a maintenance problem that needs to be addressed.

Call Technical Support at (800) 245-6489

**Illustration 4 PU-CB04
Control Board Wiring Diagram**



CAUTION: Moving Parts May Cause Injury.
Do NOT Operate with Panel(s) Off.
DANGER: Parts May Be Hot. Risk of Electric Shock.
Disconnect Power Before Servicing Unit.

IMPORTANT SAFETY NOTE: If the unit or chimney connector pipe “glows” red (or white), the stove is over-fired. This condition could cause a house or chimney fire. Do not operate your unit too hot, or over-firing may result.

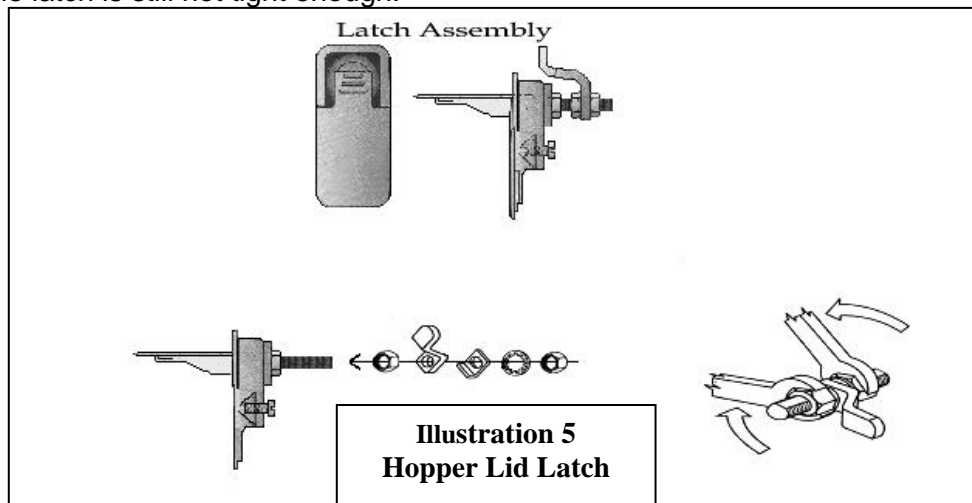
Adjusting Hopper Lid Latches

The seals around the top of the pellet hopper are important to safe and efficient operation of the unit. The latches installed on these units are designed to pull the hopper lid tight against this seal. Over the course of operation as these seals “wear in” and compress, the tension of the latches should be tested periodically, and adjusted if necessary.

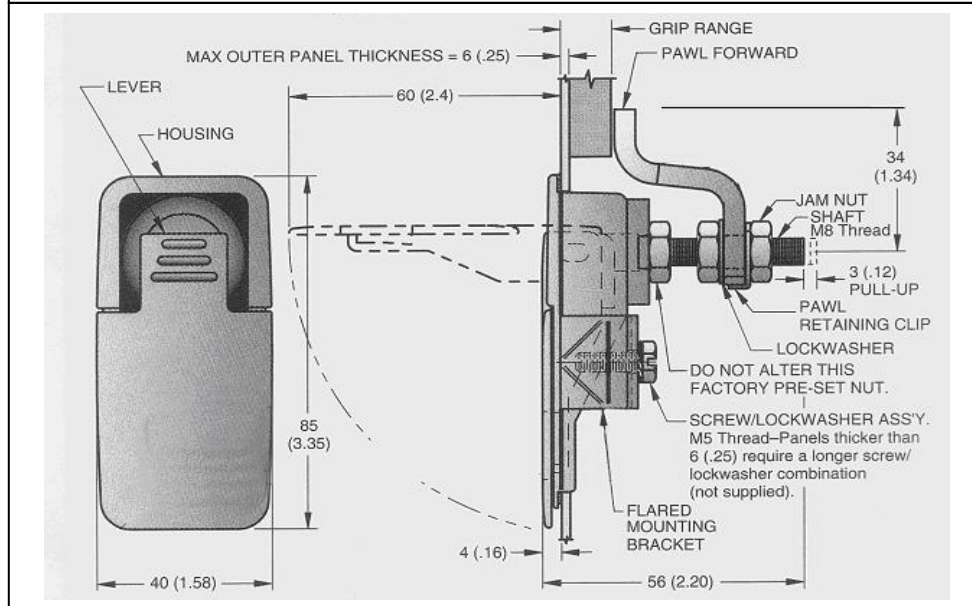
To adjust the lid latches, the following tools will be needed; two ½ inch wrenches, or a ½ inch wrench and a ½ inch socket.

In order to adjust the latch, first (with the unit unplugged and cooled down) open the hopper lid and then lock the latch in its closed position. Then take the ½ inch wrench and loosen the nut closest to the latch. This nut is then adjusted closer to the lid itself to tighten the latch. After adjusting this nut to the desired location, hold this nut in place with the ½ inch wrench, then tighten down the holding nut on the end of the latch shaft with the ½ inch socket or second wrench to hold the latching assembly in place.

After tightening the latches, test the latches for proper tension by locking the lid down and lifting each front corner of the lid. The lid should be firmly held down by the latches. Repeat the same procedure if the latch is still not tight enough.



Important: Hopper Lid Latches must be checked periodically and kept tight so the top is sealed to prevent back-burn.



ACCESSORY ITEMS

The following accessories can be added to your unit at anytime after purchase; however, let the unit cool down before adding any accessories.

Thermostat

An external wall thermostat (such as our Part # PU-DTSTAT) can be used on our pellet units, as long as it is a low-voltage type that works with millivolt systems. After unplugging the unit, locate the jumper wire (J-18) on the bottom of the control panel. The two screws should then be loosened and the jumper wire removed from the board. Next, the two thermostat lead wires should be slipped into these openings and the screws tightened; the jumper wire should be saved for future operation without a thermostat.

The unit will operate differently once the wall thermostat is connected – we recommend the Control Board be set at “9” on Heat Range and Blower Speed while using the thermostat. Refer to the section on “Start-up Procedure” for information on cold starts.

AC-103, AC-103BN Lip Trim

There is one piece of J-Channel trim in this kit that snaps onto the ash apron lip of the stove. Match the channel with the correct edge of the ash apron, then remove the protective covering from the trim and force the piece onto the edge. Although it should stay in place, stove cement can be used to secure it if necessary.

AC-106-P, AC-106-PBN Window Trim

Window trim can be attached by using the provided spring clip(s) and some high temperature silicone (optional). Insert the tee end of the spring clip into the channel on the edge of the trim – then, turn the clip and set the other end of the clip into the channel. The spring clip will hold well if it is placed on the top edge of the trim before placing the trim in the window of the stove. Place the top edge with the clip into the window opening, then push the bottom edge of the trim flush with the window. We also suggest that high temperature silicone be used on the corners, to ensure the trim will stay in place.

Accessories can be ordered from the factory at:

(Parts orders ONLY) -- (800) 516-3636, or on our web site: www.HeatRedefined.com.

Questions/Problems: Please call Technical Support at (800) 245-6489.

You may also order parts and options, view frequently asked questions and more,
on our web site: www.HeatRedefined.com

REPLACEMENT PARTS, ACCESSORIES AND OPTIONS

AC-GGK	Glass Gasket Kit (gasket only, no glass)
AC-DGKC	Door Gasket Kit (#2 on diagram)
AC-G9	9" x 9" Glass <i>with</i> Gasket (#3 on diagram)
AC-SH	Brass Door Spring Handle
AC-SHN	Nickel Door Spring Handle
AC-MBSP	Hi-Temperature Black Paint
PU-AMS	Auger Motor Support Gasket
PU-047040	1 RPM Auger Motor Assembly (#18 on diagram)
PU-BP98	Burn Pot Assembly (#'s 5 and 11 on diagram, call if you need only one part of this 2-piece assembly)
PU-076002B	Combustion (Exhaust) Blower (includes 3" adapter) (#'s 8 and 9 on diagram)
PU-4C442	Convection (Room Air) Blower (#13 on diagram)
PU-AF6T	Top Auger Shaft (#14 on diagram)
PU-AF11B	Bottom Auger Shaft (#14 on diagram)
PU-62-40-151-3	Hopper Lid Latch (2002 and later Models; for earlier models order PU-103-50) (#25 on diagram)
PU-UCF204-12	Auger Bearing (#16 on diagram)
PU-2X570	$\frac{3}{4}$ " Locking Collar (#17 on diagram)
PU-CB04	Digital Control Board (#12 on diagram)
PU-VS	Vacuum Shut-Down Switch (See wiring diagram pg. 19)
CU-VS	Second Vacuum Switch (See wiring diagram pg. 19)
PU-CBMG	Combustion Blower and Motor Gasket (#10 on diagram)
PU-BPG	Burn Pot Gasket (#6 on diagram)
PU-ABGN	Auger Bearing Gasket (#15 on diagram)
PU-HLG	Hopper Lid Gasket (#22 on diagram)
PU-CHA	Cartridge Heater (Igniter) Assembly (#27 on diagram)
PU-CBF6	6 AMP Control Board Fuse
AC-HLSB	Hopper Lid Safety Switch (See wiring diagram pg. 19, 09/2008 and later only)
AC-HP	Hinge Pin rivet for cast door (not shown)

OPTIONS:

PU-OAK	Outside Air Kit
AC-3000	3" Pellet Vent Kit (Through-the-Wall)
AC-3100	4" Pellet Vent Kit (For High Altitudes – 4000+ ft.)
PU-DTSTAT	Wall Thermostat
AC-103	Brass Lip Trim for Ash Apron
AC-103BN	Brushed Nickel Lip Trim for Ash Apron
AC-106-P	Brass Window Trim
AC-106-PBN	Brushed Nickel Window Trim

If you have any questions or problems contact the Technical Support Department:

Technical Support Department
P.O. Box 206
Monroe, VA 24574

service@englanderstoves.com
Parts Orders ONLY: 800-516-3636
Questions: 800-245-6489 (Fax: 434-929-4810)

You may also order parts and options, view frequently asked questions and more,
on our web site: www.HeatRedefined.com

Pellet Stove – Exploded View Diagram

NUMBER	PART DESCRIPTION
1	Door (Part # CA-19A)
2	Door Gasket (Part # AC-DGKC)
3	Glass with Gasket (Part # AC-G9)
4	Impingement Plate*
5	Burn Pot
5a	Wear Plate for Burn Pot**
6	Burn Pot Gasket
7	Side Access Panel
8	Combustion Blower
9	3" Blower Adapter
10	Gasket for Combustion Blower Part # PU-CBG
11	Pellet Feeder Pot
12	Digital Control Board
13	Convection Blower
14	Augers: (Top Auger and Bottom Auger)
15	Block Bearing Gaskets
16	Block Bearings Part # PU-UCF204-12
17	3/4" I.D. Shaft Collars Part # PU-2X570
18	Auger Motors
19	Rear Access Panel
20	Hopper Flange Gasket Part # PU-HFG
21	Hopper
22	Hopper Lid Gasket Part # PU-HLG
23	Hopper Lid
24	Vacuum Shut Down Switch(es)
25	Hopper Lid Latches
26	Brass Louvers (Certain models only)
27	Cartridge Heater (Igniter) Assembly Part # PU-CHA

NOTE ON PART NUMBERS:

This diagram is a basic England's Stove Works pellet unit diagram. Your model may vary somewhat. See our online store at www.englishstoves.com or the parts list in your manual for specific part numbers for your model stove. If a part is not listed in the manual or on the website, or if you have questions, call (800) 245-6489.

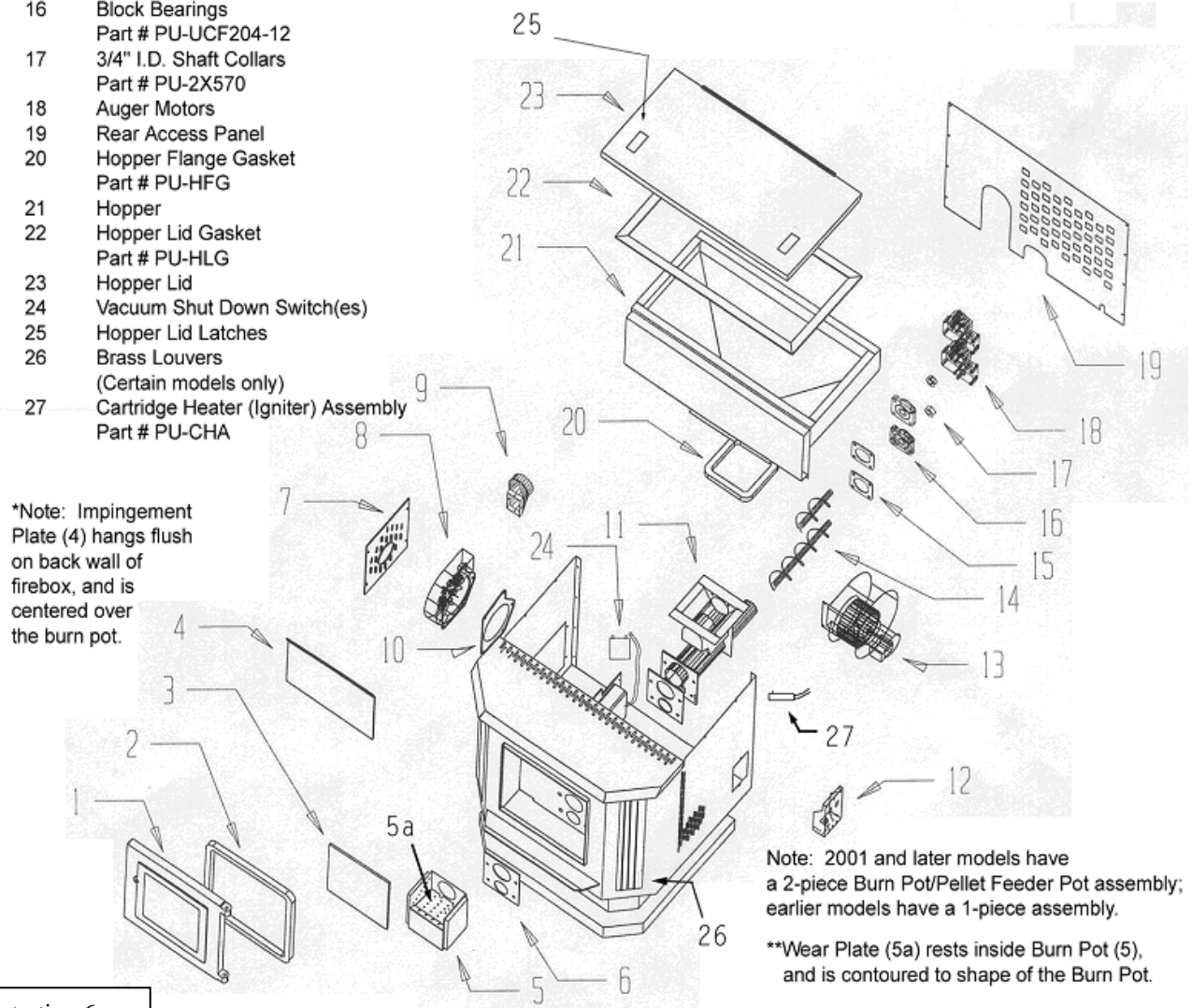


Illustration 6

Unit Dimensions: 22 5/8" W x 28 1/4" H x 24" D Unit Weight: 290 lbs.
(Approx. 13 1/2" height from floor to center of exhaust)

IMPORTANT! READ AND FOLLOW ALL INSTALLATION AND MAINTENANCE INSTRUCTIONS, INCLUDING CLEANING THE UNIT AS SPECIFIED, AND REPLACING GASKETS ANNUALLY, AND PARTS AS NEEDED. ENGLAND'S STOVE WORKS IS NOT RESPONSIBLE FOR ANY DAMAGE OR INJURY INCURRED DUE TO NEGLIGENCE, OR DUE TO UNSAFE INSTALLATION OR USAGE OF THIS PRODUCT. CALL TECHNICAL SUPPORT WITH ANY QUESTIONS.

TROUBLE-SHOOTING GUIDE

WARNING: TO AVOID ELECTRICAL SHOCK ALWAYS *DISCONNECT* THE UNIT FROM THE POWER SOURCE BEFORE ATTEMPTING ANY REPAIR. IF THIS GUIDE DOES NOT CORRECT THE PROBLEM CALL YOUR LOCAL DEALER OR OUR TECHNICAL SUPPORT AT 1-800-245-6489.

<u>Problem</u>	<u>Cause</u>	<u>Solution</u>
1. Auger not turning	<ol style="list-style-type: none"> 1. Loose set screw 2. Bad gear motor 3. Foreign matter in auger 4. Vacuum sensor (Top Auger) 5. Carbon buildup in feed auger tube 	<ol style="list-style-type: none"> 1. Tighten setscrew on collar 2. Replace auger motor 3. Remove pellets and object 4. Check exhaust blower 5. Remove carbon by scraping
2. Smoke smell or dust in house	<ol style="list-style-type: none"> 1. Improper exhaust connection 	<ol style="list-style-type: none"> 1. Check all connections for leaks, especially the exhaust blower connection; Seal with silicone, hose clamp or aluminum tape
3. Room air blower not operating	<ol style="list-style-type: none"> 1. Loose sensor 2. High "ON" temperature 	<ol style="list-style-type: none"> 1. Tighten connection on sensor 2. Adjust temperature lower
4. Exhaust blower not operating (E-1 on Control Board)	<ol style="list-style-type: none"> 1. Loose connection 2. Bad blower 3. Bad vacuum sensor 	<ol style="list-style-type: none"> 1. Check connection at c/board 2. Replace blower 3. Replace vacuum sensor
5. Lazy fire	<ol style="list-style-type: none"> 1. Control board settings 2. Bad exhaust blower 3. Excessive pellet moisture 4. Excessive ash 5. Low quality pellets 	<ol style="list-style-type: none"> 1. Review board settings 2. Replace blower 3. Keep pellets inside 4. Remove baffles; Clean unit 5. Use premium pellets
6. Blown fuse (6 AMP)	<ol style="list-style-type: none"> 1. Power surge 2. Exposed wire 3. Electric motor shorting or bound up 	<ol style="list-style-type: none"> 1. Replace fuse; use surge protector 2. Check for exposed or frayed wire and loose connections 3. Check motors and blowers for obstructions or lock-up
7. High pellet consumption	<ol style="list-style-type: none"> 1. Low quality pellets 2. Board out of adjustment 	<ol style="list-style-type: none"> 1. Use premium fuel 2. Check c/board settings
8. Squeaking noise	<ol style="list-style-type: none"> 1. Build up in tube 2. Improper auger alignment 	<ol style="list-style-type: none"> 1. Remove auger and clean 2. Re-align auger
9. Pinging or rattling noise	<ol style="list-style-type: none"> 1. Foreign material 2. Loose set screw 	<ol style="list-style-type: none"> 1. Check blower for material 2. Check impeller blower screw
10. Unit shuts down in 20 to 30 minutes (E-2 on Control Board)	<ol style="list-style-type: none"> 1. Loose heat sensor 2. Control board settings 3. Failure to start (E-2) 	<ol style="list-style-type: none"> 1. Check stove connection 2. Check settings; always start unit on "5" to "9" setting 3. Check igniter for buildup
11. Unit keeps shutting down ("E" codes on control board)	<ol style="list-style-type: none"> 1. Blocked flue (E-1) 2. Blower failure (E-3) 3. Improper installation* (E-1) 	<ol style="list-style-type: none"> 1. Check for flue blockage (nests, rodents, excess soot, etc.) 2. Check combustion blower wires, then call Technical Support. 3. Check for loose flue/pipe connections. Also be sure to have proper Outside Air hook-up.

*Improper installation may cause a back draft.

***NOTE: Also check for loose or cracked vacuum hose on vacuum switches (see #24 in Illustration 6).**

IMPORTANT! READ AND FOLLOW ALL INSTALLATION AND MAINTENANCE INSTRUCTIONS, INCLUDING CLEANING THE UNIT AS SPECIFIED, AND REPLACING GASKETS ANNUALLY, AND PARTS AS NEEDED. ENGLAND'S STOVE WORKS IS NOT RESPONSIBLE FOR ANY DAMAGE OR INJURY INCURRED DUE TO NEGLIGENCE, OR DUE TO UNSAFE INSTALLATION OR USAGE OF THIS PRODUCT. CALL TECHNICAL SUPPORT WITH ANY QUESTIONS.

PELLET FUEL BURNING ROOM HEATER

MODEL: 25-PDVC/55-SHP10

MFG. BY:

ENGLAND STOVE WORKS

P.O. BOX 206

MONROE, VA 24574



SERIAL NO.

WHI-

MFG. DATE

TESTED TO: ASTM E 1509-93: OREGON 814-23-900 THRU 814-23-909 AND ULC S627-M90-UL 1482
THIS PELLET FIRED APPLIANCE HAS BEEN TESTED AND LISTED FOR USE IN MANUFACTURED HOMES.

"FOR USE WITH PELLET FUEL"

INPUT RATING: 38,000 BTU ELECT. RATING: 120V, 60HZ, 3A

DO NOT REMOVE OR COVER THIS LABEL

- KEEP DOOR & HOPPER LID CLOSED TIGHTLY DURING OPERATION.
- UNIT MUST BE PLACED ON A NON-COMBUSTIBLE FLOOR PROTECTOR EXTENDING OUT 6" TO THE FRONT AND 4" TO THE SIDE AND 1" TO THE BACK.
- CONTACT LOCAL BUILDING OR FIRE OFFICIALS ABOUT RESTRICTIONS & INSTALLATION INSPECTION IN YOUR AREA.
- INSTALL & USE ONLY IN ACCORDANCE WITH THE MANUFACTURER'S INSTALLATION AND OPERATION INSTRUCTIONS.
- CHIMNEY CONNECTORS: 3" DIAMETER MIN. PELLET VENT PIPE. INSTALL AT LEAST 3" FROM WALL OR CEILING.
- REFER TO LOCAL BUILDING CODE & MANUFACTURER'S INSTRUCTIONS FOR PASSING A CHIMNEY OR CONNECTOR THROUGH A COMBUSTIBLE WALL.
- MEETS EPA PARTICULATE MATTER REQUIREMENTS FOR WOOD HEATERS BUILT AFTER JULY 1, 1990.

DO NOT CONNECT THIS UNIT TO A CHIMNEY FLUE SERVING ANOTHER APPLIANCE.

LIGHTING INSTRUCTIONS: PLACE A HANDFUL OF PELLETS IN BURN POT WITH FIRESTARTER AND IGNITE. CAUTION: TIGHTLY CLOSE DOOR AND HOPPER LID. SET HEAT ON MEDIUM ONCE FIRE IS BURNING WELL. OPERATE THIS UNIT ONLY WITH THE FUEL HOPPER LID CLOSED. FAILURE TO DO SO MAY RESULT IN EMISSION OF PRODUCTS OF COMBUSTION FROM THE HOPPER UNDER CERTAIN CONDITIONS. MAINTAIN HOPPER SEAL IN GOOD CONDITION. DO NOT OVER FILL THE HOPPER.



CAUTION

DO NOT TOUCH. HOT WHILE OPERATING. KEEP CHILDREN AND ALL COMBUSTIBLES AWAY FROM UNIT. MAY CAUSE SKIN BURN. SEE INSTR. MANUAL.

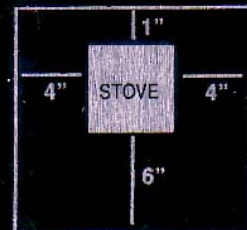
INSTALL WITH MINIMUM CLEARANCES TO WALLS AS SHOWN.



SIDEWALL-BACKWALL INSTALLATION



CORNER INSTALLATION



FLOOR PROTECTION MIN. SIZE 31" X 32"

You may write your unit's Manufacture Date and Serial Number in the blank spaces on this sample tag, for future reference. This sample tag also shows the safety info. such as UL/ULC testing standard, etc. for your local officials, or anyone else who may need reference

IMPORTANT! READ AND FOLLOW ALL INSTALLATION AND MAINTENANCE INSTRUCTIONS, INCLUDING CLEANING THE UNIT AS SPECIFIED, AND REPLACING GASKETS ANNUALLY, AND PARTS AS NEEDED. ENGLAND'S STOVE WORKS IS NOT RESPONSIBLE FOR ANY DAMAGE OR INJURY INCURRED DUE TO NEGLIGENCE, OR DUE TO UNSAFE INSTALLATION OR USAGE OF THIS PRODUCT. CALL TECHNICAL SUPPORT WITH ANY QUESTIONS.

Have this information on hand if you phone the factory or your dealer regarding this product.

Retain for your files:

Model Number _____

Date of Purchase _____

Date of Manufacture _____ Serial # _____

LIMITED 5 YEAR WARRANTY **FROM THE DATE OF PURCHASE TO THE ORIGINAL OWNER**

The manufacturer extends the following warranties:

Five Year Period:

1. Carbon steel and welded seams in the firebox are covered for 5 years against splitting.
2. The cast iron door and hinges are covered for 5 years against cracking.

One Year Period:

3. Component parts such as the hopper, auger burn pot, baffle plate, auger shafts, auger bearings, and fasteners are covered for 1 year against cracking, breakage and welded seams from separating.
4. Electrical components, accessory items, glass and the painted surface are covered for 1 year from the date of purchase.

Conditions and Exclusions:

Damage from over-firing will void your warranty.

This warranty does not apply if damage occurs because of an accident, improper handling, improper installation, improper operation, abuse, or unauthorized repair made or attempted to be made.

The manufacturer is not liable for indirect, incidental, or consequential damages in connection with the product including any cost or expense providing substitute equipment or service during periods of malfunction or nonuse.

All liability for any consequential damage for breach of any written or implied warranty is disclaimed and excluded. Some states do not allow the exclusion or limitations of incidental or consequential damages, so the above may not apply to you.

Procedure:

Purchaser must give notice of claim of defect within the warranty period and pay transportation to and from a service center designated by the factory. The dealer from which the unit was purchased or the factory, at our option, will perform the warranty service.

Other Rights:

This warranty gives you specific legal rights, and you may also have other rights, which may vary from state to state.

NOTE: THIS WARRANTY IS NULL AND VOID IF YOU DO NOT RETURN THE ATTACHED WARRANTY REGISTRATION WITH A COPY OF THE SALES RECEIPT WITHIN 30 DAYS FROM THE DATE OF PURCHASE.

WARRANTY IS NOT TRANSFERABLE

WARRANTY REGISTRATION for England's Stove Works

Purchased by (Name) _____

Address _____

City _____ State _____ Zip _____

Telephone _____

Email Address _____

DEALER INFORMATION

Purchased From (Dealer) _____

Address _____

City _____ State _____ Zip _____

UNIT INFORMATION

(Please be sure to refer to sticker on back of manual or box to complete this section)

Model Number _____ Purchase Date _____

Purchase Price _____

Serial Number _____ Mfg. Date _____

How did you first hear about our product? (please check one)

Word of Mouth Burn Trailer Demonstration Internet

Other: _____

Where did you receive information about our product? (please check one)

Rec'd. info. via phone Dealer (Name of dealer): _____

Internet Other: _____

IMPORTANT NOTICE

**THIS REGISTRATION INFORMATION MUST BE ON FILE FOR THIS WARRANTY TO BE VALID.
PLEASE MAIL THIS INFORMATION WITHIN THIRTY (30) DAYS FROM THE DATE OF PURCHASE.**

Mail To:

England's Stove Works, Inc.
Technical Support Department
P.O. Box 206
Monroe, VA 24574

Or, Fax To:

(434) 929-4810 – 24 hours a day

Or, now available – Go online to complete your Warranty Registration!

Visit www.HeatRedefined.com if you prefer to register online.

IMPORTANT! READ AND FOLLOW ALL INSTALLATION AND MAINTENANCE INSTRUCTIONS, INCLUDING CLEANING THE UNIT AS SPECIFIED, AND REPLACING GASKETS ANNUALLY, AND PARTS AS NEEDED. ENGLAND'S STOVE WORKS IS NOT RESPONSIBLE FOR ANY DAMAGE OR INJURY INCURRED DUE TO NEGLIGENCE, OR DUE TO UNSAFE INSTALLATION OR USAGE OF THIS PRODUCT. CALL TECHNICAL SUPPORT WITH ANY QUESTIONS.

IMPORTANT! READ AND FOLLOW **ALL** INSTALLATION AND MAINTENANCE INSTRUCTIONS, INCLUDING CLEANING THE UNIT AS SPECIFIED, AND REPLACING GASKETS ANNUALLY, AND PARTS AS NEEDED. ENGLAND'S STOVE WORKS IS NOT RESPONSIBLE FOR ANY DAMAGE OR INJURY INCURRED DUE TO NEGLIGENCE, OR DUE TO UNSAFE INSTALLATION OR USAGE OF THIS PRODUCT. CALL TECHNICAL SUPPORT WITH ANY QUESTIONS.

PELLET - Meets the 2015 U.S. Environmental Protection Agency's wood emission limits for wood heaters sold after May 15, 2015

PLEASE NOTE:

EPA INFORMATION

The following additions to your owner's manual will enable you to achieve optimal emissions performance from your stove. Important safety tips are also included.

- *Proper Installation* – Please refer to the Installation section of your owner's manual and follow the guidelines listed therein for safety and for optimal emissions performance.

Additional information:

Venting:

Be sure to follow your owner's manual's recommendation for venting, including the proper types of flue systems and pellet vent pipe.

Also note that Outside Air Connection (combustion air) is MANDATORY for proper safe operation, and to achieve optimal emissions performance.

Observe the vent termination clearances specified in your owner's manual, and contact our Technical Support if you have any questions. Phone (800) 245-6489 or email service@englanderstoves.com.

Be certain that all aspects of the venting system are installed to the venting manufacturer's instructions, particularly the required clearances to combustibles.

Your pellet stove operates on a negative draft system, which pulls combustion air through the burn pot and pushes the exhaust air through the vent pipe and out of the building. This unit must be installed in accordance with your owner's manual's detailed descriptions of venting techniques; not installing the stove in accordance with the details listed can result in poor stove performance (including poor emissions), property damage, bodily injury or death. England's Stove Works is not responsible for any damage incurred due to a poor or unsafe installation.

Additional Venting Information

- Do not mix and match components from different pipe manufacturers when assembling your venting system (i.e. Do **NOT** use venting pipe from one manufacturer and a thimble from another).
- We **require** a minimum vertical rise of 36 in. (3 ft.) of pipe to create natural draft in the system, which helps evacuate smoke from the stove in the event of a power failure or combustion blower failure.
- Venting systems 15.0 ft. or shorter may be composed entirely of 3.0 in. pellet pipe; to reduce frictional losses, venting systems longer than 15.0 ft. should be composed of 4.0 in. pellet pipe.
- Do not terminate the venting system directly beneath any combustible structure such as a porch or deck.
- Follow NFPA 211 rules listed below for venting system termination location relative to windows and other openings in the dwelling.
 - NFPA 211 (2006 ed.) Section 10.4 Termination: 10.4.5
(1) The exit terminal of a mechanical draft system other than direct vent appliances (sealed combustion system appliances) shall be located in accordance with the following:
 - (a) Not less than 3 ft. (.91 m) above any forced air inlet located within 10 ft. (3.0m).
 - (b) Not less than 4 ft. (1.2 m) below, 4 ft. (1.2 m) horizontally from or 1 ft. (305 mm) above any door, window or gravity air inlet into any building.
 - (c) Not less than 2 ft. (0.61 m) from an adjacent building and not less than 7 ft. (2.1 m) above grade when located adjacent to public walkways.
- Distance between the termination opening and grade should be a minimum of 2 ft. (24 in.) contingent on the grade surface below the termination. When determining the termination height above grade, consider snow drift lines and combustibles such as grass or leaf accumulation. In areas where significant snowfall is possible, the termination height must be sufficiently high to keep the termination free of snow accumulation.
- Do not use makeshift compromises during installation or install any component of the unit or venting system in such a manner that could result in a hazardous installation.
- A chimney connector shall not pass through an attic or roof space, closet or similar concealed space, or a floor, or ceiling.
- Where passage through a wall or partition of combustible material is desired, the installation shall conform to CAN/CSA-B365.

WARNING:

Venting system surfaces get HOT, and can cause burns if touched. Noncombustible shielding or guards may be required.

OUTSIDE AIR HOOK-UP

- The use of outside combustion air is **mandatory** on this pellet stove.
- The outside air connection pipe protrudes from the lower rear center of the stove; use the included outside air kit to attach your stove to outside combustion air. Instructions and all the parts needed to make the outside air connection to your pellet stove are included with the outside air kit.
- If it is not feasible to use the included outside air hookup kit in your stove installation, other materials may be used, provided the following rules are followed:
 - The pipe used for outside air hookup must be metal, with a minimum thickness of .0209 in. (25 gauge mild steel) or greater and an inside diameter of approximately 2.0 in.
 - All pipe joints and connections should be sealed with pipe clamps or other mechanical means, to insure a leak free outside air connection.
 - Long runs of pipe and excessive elbows for outside air should be avoided. Due to frictional resistance in pipe, any excessive outside air piping can result in poor stove performance.
 - A screen or other protection device must be fitted over the outside air termination point to prevent rain, debris and nuisance animals from entering the piping system.
 - Increase the outside air pipe size to 3.0 in. diameter pipe if the outside air connection is more than 6 ft. in length, more than two (2) elbows are used or if the stove is installed in a basement.
- The outside air connection system should be inspected at least annually to be certain it is free from blockage.
- *Operation and Maintenance* – Please refer to the ‘Operation’ (Operating Instructions) and Maintenance (including Ash Removal/Disposal) sections of your owner’s manual and follow the guidelines listed therein for safety *and* for optimal emissions performance.

Additional Information:

Following the instructions in your owner’s manual for Start-Up (lighting a fire) will ensure a proper fire, as well as helping minimize visible emissions.

More:

- *Fuel loading and re-loading:* Practical Tips for Building a Fire – See your owner’s manual for information on loading (and re-loading) your fuel, as well as for fire-starting procedures.
- *Fuel Selection:* Once your appliance is properly installed, be sure to follow your owner’s manual regarding fuel selection and starting and operating your appliance, including the following practical tips that will help you obtain the best efficiency from your stove.

Daily Operation Notes

- Only high quality, ¼" (.25 in.) diameter wood pellets, should be used in this stove. Using low grade wood pellets with high ash content OR wood pellets with a high moisture content can cause the burn pot to fill with ash at a more rapid pace and can cause intervals between periodic maintenance to become significantly shorter. Please read the "Maintenance" section of this manual thoroughly to understand how fuel selection affects stove operation, maintenance and cleaning.
- Variation in the flame height is normal; not all wood pellet fuel is uniform in size, which can affect the way pellets are fed into the burn pot. Although the flame height may increase and decrease during operation, there is no loss of efficiency.
- Always store wood pellet fuel in a dry location; storing wood pellet fuel in a dry location ensures the fuel will remain pelletized and low in moisture content. Also, be certain that all wood pellet fuel is stored at a safe distance from the pellet heater; storing fuel in close proximity to the stove can result in a fire.

This pellet burning room heater is equipped with a specially designed burn pot which comes preinstalled from the factory. This burn pot elevates the burning pellets and delivers air at the precisely-required locations. Pellets must only be burned in the factory burn pot; no modifications should be made to this burn pot and no additional grates or other fire elevators should be used.

- **WHAT FUELS NOT TO USE:**

CAUTION

- **NEVER USE GASOLINE, GASOLINE-TYPE LANTERN FUEL, KEROSENE, CHARCOAL LIGHTER FLUID, OR SIMILAR LIQUIDS TO START OR "FRESHEN UP" A FIRE IN THIS HEATER. KEEP ALL SUCH LIQUIDS WELL AWAY FROM THE HEATER WHILE IN USE. ADDITIONALLY, NEVER APPLY FIRE-STARTER TO ANY HOT SURFACE OR EMBERS IN THE STOVE. DO NOT USE CHEMICALS OR FLUIDS TO START THE FIRE.**
- **DO NOT BURN FLAMMABLE FLUIDS SUCH AS GASOLINE, NAPHTHA OR ENGINE OIL.**
- **DO NOT BURN GARBAGE; LAWN CLIPPINGS OR YARD WASTE; MATERIALS CONTAINING RUBBER, INCLUDING TIRES; MATERIALS CONTAINING PLASTIC; WASTE PETROLEUM PRODUCTS, PAINT OR PAINT THINNERS, OR ASPHALT PRODUCTS; MATERIALS CONTAINING ASBESTOS; CONSTRUCTION OR DEMOLITION DEBRIS; RAILROAD TIES OR PRESSURE-TREATED WOOD; MANURE OR ANIMAL REMAINS; SALT WATER DRIFTWOOD OR OTHER PREVIOUSLY SALT WATER SATURATED MATERIALS; UNSEASONED WOOD; PAPER PRODUCTS, CARDBOARD, PLYWOOD OR PARTICLEBOARD. THE PROHIBITION AGAINST BURNING THESE MATERIALS DOES NOT PROHIBIT THE USE OF FIRESTARTERS MADE FROM PAPER, CARDBOARD, SAWDUST, WAX AND SIMILAR SUBSTANCES FOR THE PURPOSE OF STARTING A FIRE IN AN AFFECTED WOOD HEATER. BURNING THESE MATERIALS MAY RESULT IN RELEASE OF TOXIC FUMES OR RENDER THE HEATER INEFFECTIVE AND CAUSE SMOKE.**

Air Controls: Your pellet stove is equipped with a control board that automatically adjusts the air to fuel ratio for optimum emissions. See your owner's manual for information on operating the control board, and for other operational information on achieving the best burn, including these tips:

The control board on this stove allows the user to adjust the heat output and convection blower speed, and turn the unit on and off.

- The lower buttons on the control board (Low Fuel Feed, Low Burn Air, and Air on Temp) are not meant to be adjusted during normal operation of the unit. These buttons are factory preset and should not be adjusted by the user.
- To energize the unit and initiate a fire, press the "On" button. The LED above the button should turn green and the control board should display "S U" shortly after pressing the button.
- To shut the unit down, press the "Off" button. The LED above the button should turn red and the board should display "S d" shortly after pressing the button. This initiates the shut down sequence, and the stove will remain in shut down mode until it has cooled down.
- To increase the heat output of the stove, press the "Up" heat range button. The number in the heat range display window will increase, signifying that the control board is now adjusting the heat output to your desired level. The blower speed will increase the same amount as the heat range, because the stove is designed to operate with the blower speed greater than or equal to the heat range. Pressing the "Down" arrow will decrease the heat range and blower speed.
- To increase the blower speed without increasing the heat range, press the Blower Speed "Up" arrow until the desired blower speed is shown in the display window. Pressing the "Down" arrow will decrease the blower speed; however, the control board will not allow the blower speed to be set lower than the heat range.

Caution

This unit is meant to operate only with the ash pan and main viewing door closed. Smoke spillage and an inefficient, lazy burn will result from attempting to operate the stove with either door open.

In addition, using fuel other than wood pellets can create an unsafe situation and can also generate excess carbon monoxide. Carbon monoxide is an odorless, colorless gas which can be deadly. Be sure to burn only wood pellets.

The use of a carbon monoxide detector is strongly recommended.

- *ASH REMOVAL* – Follow your Owner’s manual’s instructions regarding removal and disposal of ashes. Also be sure to follow ALL Maintenance requirements as listed.
- *REPLACEMENT of parts that are critical to emissions performance* – Follow your Owner’s manual’s instructions regarding replacement of gaskets and other parts that are critical to emissions performance.

Remember: “This wood heater needs periodic inspection and repair for proper operation. It is against federal regulations to operate this wood heater in a manner inconsistent with operating instructions in this manual.”

- **Smoke Detectors**

England’s Stove Works, Inc. highly recommends the use of smoke detectors in every room of the house. However, locating a smoke detector directly above this unit can result in nuisance alarms.

- *Compliance:* “This non-catalytic wood heater meets the 2015 U.S. Environmental Protection Agency’s wood emission limits for wood heaters sold after May 15, 2015.”
- *Tamper Warning:* “This wood heater has a manufacturer-set minimum low burn rate that must not be altered. It is against federal regulations to alter this setting or otherwise operate this wood heater in a manner inconsistent with operating instructions in this manual.”
- *Warranty:* See your Owner’s manual for a Warranty Registration instruction page, as well as instructions for warranty procedures. For parts, warranty replacement procedures may be found at our parts store site: www.store.heatredefined.com



**GUIDE
D'INSTALLATION
ET D'UTILISATION**

25-PDVC
55-SHP10
55-TRP10



Fabriqué par :
England's Stove Works, Inc.
PO Box 206
Monroe, VA 24574, États-Unis
07/2017

Questions? Besoin de pièces ou
d'options? www.heatredefined.com
Pour un service en Français –
Courriel :
infoenfrancais@englanderstoves.com
Telephone (844) 411-2654

MISE EN GARDE

**VEUILLEZ LIRE L'INTÉGRALITÉ DU PRÉSENT GUIDE AVANT D'INSTALLER ET D'UTILISER CE POËLE À GRANULES.
GARDEZ TOUT APPAREIL DE CHAUFFAGE HORS DE PORTÉE DES ENFANTS, ET À BONNE DISTANCE DES
MEUBLES ET DES MATIÈRES COMBUSTIBLES.**

AVIS DE SÉCURITÉ

**LE NON-RESPECT DE CES INSTRUCTIONS PEUT CAUSER DES DOMMAGES MATÉRIELS, DES BLESSURES OU
MÊME ENTRAÎNER LA MORT. POUR VOTRE SÉCURITÉ ET VOTRE PROTECTION, SUIVEZ LES INSTRUCTIONS
D'INSTALLATION DÉCRITES DANS LE PRÉSENT GUIDE. COMMUNIQUEZ AVEC LES AUTORITÉS LOCALES EN
MATIÈRE DE CONSTRUCTION OU LE SERVICE D'INCENDIE AFIN DE CONNAÎTRE LES RESTRICTIONS ET LES
EXIGENCES D'INSPECTION DES INSTALLATIONS (Y COMPRIS L'OBTENTION DE PERMIS) PROPRES
À VOTRE RÉGION.**

**AFIN D'ASSURER LE BON FONCTIONNEMENT DU POËLE À BOIS, VOUS DEVEZ
L'INSPECTER ET LE
REPARER PÉRIODIQUEMENT. CONSULTEZ LE GUIDE D'UTILISATION POUR OBTENIR
DE PLUS AMPLES RENSEIGNEMENTS. EN VERTU DES RÈGLEMENTS FÉDÉRAUX, IL EST
INTERDIT D'UTILISER CE POËLE À BOIS D'UNE MANIÈRE NON CONFORME AUX
DIRECTIVES DU MODE D'EMPLOI.**



CONSERVEZ CES INSTRUCTIONS



BIENVENUE!

Introduction

- Merci4
- AVANT DE REDÉMARRER VOTRE APPAREIL.....5
- INFORMATION IMPORTANTE6
- PRÉPARATION DE L'APPAREIL7

Installation

- SYSTÈME DE CONDUIT DE FUMÉE8
- INSTALLATION, CONT9
- DÉGAGEMENTS DES TERMINAISONS DES ÉVÉNEMENTS11
- DIRECTIVES D'UTILISATION12
- E CODES13
- PROCÉDURE D'ARRÊT13

Utilisation quotidienne

- UTILISATION QUOTIDIENNE14

NETTOYAGE

- NETTOYAGE ET ÉLIMINATION DES CENDRES15
- NETTOYAGE MENSUEL, ANNUEL16
- ENTRETIEN17
- COMMUTATEUR D'ASPIRATION18
- JOINTS D'ÉTANCHEITE, FINI, VERRE19
- TABLEAU DE COMMANDE20
- SCHEMA DU TABLEAU DE COMMANDE21
- AJUSTEMENT DES LOQUETS DE COUVERCLE DE TREMIE22
- ACCESSOIRES23

Illustration détaillée des pièces

- PIÈCES DE RECHANGE, ACCESSOIRES ET OPTIONS24
- VUE ECLATEE25
- GUIDE DE DÉPANNAGE26

Garantie

- ÉTIQUETTE DE REFERENCE27
- DETAILS DE LA GARANTIE28
- FORMULAIRE D'ENREG. DE LA GARANTIE .29
- EPA & SECURITE31

MANUEL D'INSTALLATION ET D'UTILISATION

NUMÉROS DE MODÈLE 25-PDVC 55-SHP10 55-TRP10

Nous vous remercions d'avoir acheté ce produit d'une excellente gamme, de matériel thermique. Nous vous souhaitons de nombreuses années de plaisir au chaud et sans danger avec votre nouvel appareil de chauffage

Conserver ces directives.

IMPORTANT : SI VOUS AVEZ DES PROBLÈMES AVEC CET APPAREIL, NE PAS LE RETOURNER AU VENDEUR. COMMUNIQUER AVEC LE SUPPORT TECHNIQUE AU 1-800-245-6489.

Utilisation dans les maisons mobiles :

Ces appareils autonomes à granules de bois sont approuvés pour les maisons mobiles ou une installation en double largeur avec raccordement de la combustion à l'air extérieur. Consulter le chapitre « Système de conduit d'air ».

Il faut faire l'installation dans une maison mobile en conformité avec la norme « Manufactured Home and Safety Standard (HUD), CFR 3280, Pièce 24 ».

MISE EN GARDE : Ne pas installer dans une chambre à coucher

ATTENTION : Il faut respecter l'intégrité de la structure des planchers, murs et plafonds/toit de la maison mobile.

Veillez noter les mises en garde suivantes :

NOTE : NOUS NE RE RECOMMANDONS PAS LES POÊLES À GRANULES DE BOIS COMME UNIQUE SOURCE DE CHALEUR.

England's Stove Works recommande l'utilisation de détecteurs de fumée et de monoxyde de carbone avec tout produit avec foyer, y compris cet appareil. Suivre les directives du fabricant relativement à utilisation de détecteurs de fumée et de monoxyde de carbone.

ATTENTION : Veuillez lire la totalité de ce mode d'emploi avant l'installation et l'utilisation de ce poêle à granules de bois.



Tenir les enfants, le mobilier, les accessoires et toutes les matières combustibles à l'écart de tout appareil de chauffage. Consulter ce manuel du propriétaire pour tous les espacements aux matières combustibles.

MISE EN GARDE : IL EST OBLIGATOIRE QUE CET APPAREIL SOIT RACCORDÉ À L'AIR EXTÉRIEUR. NE PAS UTILISER CET APPAREIL AVEC LA TRÉMIE OUVERTE. LE COUVERCLE DOIT ÊTRE BIEN FERMÉ.

NE PAS UTILISER AVEC LA PORTE OUVERTE.

CONSIGNE DE SÉCURITÉ

LE NON RESPECT DE CES DIRECTIVES POURRAIT ENTRAÎNER DES DOMMAGES MATÉRIELS, DES BLESSURES CORPORELLES ET MÊME LA MORT. POUR VOS SÉCURITÉ ET PROTECTION, SUIVRE TOUTES LES DIRECTIVES D'INSTALLATION. COMMUNIQUER AVEC LE SERVICE LOCAL DE LA CONSTRUCTION OU LE SERVICE D'INCENDIE RELATIVEMENT AUX RESTRICTIONS ET AUX EXIGENCES D'INSPECTION DE L'INSTALLATION (Y COMPRIS LES PERMIS) DANS VOTRE QUARTIER.

Merci d'avoir acheté cet excellent produit de la gamme England's Stove Works.

La famille qui a fondé et possède encore England's Stove Works croit fermement que les travaux que l'on réalise soi-même sont les plus satisfaisants; voilà pourquoi vous avez trouvé ce poêle auprès de votre magasin préféré de produits prêts à assembler.

Nous concevons et fabriquons nos poêles expressément pour que n'importe quel propriétaire soit en mesure de les entretenir avec des outils de base. De plus, nous sommes toujours disposés à vous montrer comment procéder de la façon la plus simple et la plus économique qui soit.

En offrant des fiches d'entretien téléchargeables gratuitement et un guide de dépannage intelligent sur notre site Web, nous tentons d'aider nos clients à être prêts à utiliser leur appareil de chauffage en tout temps, d'autant plus que le prix du mazout et de l'électricité ne cesse d'augmenter.

Si vous avez besoin d'aide au sujet de votre appareil, veuillez consulter la vaste section d'aide de notre site Web ou appeler notre service de soutien technique au 1 800 245-6489. Nous sommes presque toujours en mesure de vous guider en cas de réparation à effectuer ou de problème, ou encore de répondre à vos questions.

REMARQUE : Les renseignements obtenus sur notre site Web ou en composant notre numéro sans frais sont gratuits en tout temps. Cependant, les réparations ou l'entretien que nous offrons sur place occasionnent des frais.

Nous vous souhaitons des années de chauffage agréable, efficace et de qualité.

Service de soutien technique d'England's Stove Work

ATTENTION : Le poêle est lourd.

De plus, lorsque vous manipulez des tôles, rappelez-vous qu'il peut y avoir des bords coupants ou des bavures. Bien que nous fassions tous les efforts possibles pour éliminer les bords coupants, veuillez faire preuve de prudence lorsque vous manipulez des pièces de métal. N'oubliez pas de déconnecter (débrancher) le poêle de la source d'alimentation et de le laisser refroidir complètement avant d'en effectuer l'entretien.

Ce manuel peut être téléchargé gratuitement sur le site Web du fabricant. Il s'agit d'un document protégé par le droit d'auteur et il est strictement interdit de le revendre. Le fabricant peut occasionnellement mettre à jour ce manuel et ne peut être tenu responsable de problèmes, y compris les blessures ou les dommages résultant de l'utilisation de renseignements trouvés dans un manuel provenant de sources non autorisées.

REMARQUE : Si vous avez acheté ce modèle, en fonction des magasins, le numéro de modèle peut se terminer par « L », « LC », « H », « CT », etc. Ce guide concerne ces modèles également.

IMPORTANT! Lisez et suivez TOUTES les instructions pour l'installation et l'entretien, notamment celles portant sur le nettoyage de l'appareil à effectuer selon les directives et celles portant sur le remplacement des joints (annuellement) et des pièces (au besoin). England's Stove Works n'est pas responsable des dommages ni des blessures, quels qu'ils soient, subis en raison de négligence ou à cause d'une installation ou utilisation dangereuse de ce produit. Pour toute question, communiquez avec le service de soutien technique.

AVANT DE REDÉMARRER VOTRE APPAREIL

Chaque fois, avant d'appuyer sur « ON » pour démarrer votre appareil – Veiller à retirer toutes les cendres (brûlées ou partiellement brûlées) de l'aire de la chambre de combustion! En portant des gants de protection et l'appareil étant froid, retirer la plaque d'usure et jeter les cendres, en vérifiant que les trous d'aération sont exempts de débris. Veiller également à suivre toutes les directives d'entretien telles que décrites dans votre manuel du propriétaire et le DVD d'instructions joint à l'appareil. Le défaut de retirer les cendres de cette aire avant chaque flambée peut causer un retour de fumée, endommager sérieusement votre poêle et annuler votre garantie. Nous ne sommes pas responsables des appareils mal entretenus, y compris l'accumulation de cendres dans l'aire de la chambre de combustion. Brûler sans danger et brûler proprement – Nettoyer quotidiennement l'aire de la chambre de combustion!



UNE NOTE SUR LES REPRISES D'AIR FROID ET LES APPAREILS DE CHAUFFAGE CENTRAL

Certaines maisons, y compris les maisons modernes hermétiques bien isolées, créent un tirage négatif qui peut causer une émission de fumée de votre appareil, en particulier s'il est trop près de l'appareil de chauffage central de la maison. Si vous installez votre poêle dans la même pièce que la reprise d'air froid du chauffage central, vous devez le placer à plus de 6 m (20 pi) de la reprise d'air froid. Nous vous recommandons de laisser une fenêtre entrouverte et de ne jamais fermer la porte entre cette pièce et le reste de la maison.

DANS LE CAS D'UN RETOUR DE FUMÉE

1. Si vous voyez de la fumée sortir de votre appareil à cause d'une panne de courant, **NE PAS OUVRIR LA TRÉMIE OU LA PORTE DE VOTRE APPAREIL!! Rester calme.** Ne débranchez pas! Ouvrir la porte extérieure et les fenêtres les plus proches et attendre que la fumée se dissipe (au moins une heure, bien que la fumée doive se dissiper rapidement si la porte et les fenêtres sont ouvertes). Quand le courant revient, appuyer sur le bouton ON pour redémarrer l'appareil et le laisser fonctionner pendant au moins 30 minutes.
 - Si vous voyez d'autres signes de retour de fumée, appuyer sur le bouton OFF (arrêt) et communiquer avec le support technique au (800) 245-6489 avant de redémarrer votre appareil, car la panne de courant peut l'avoir endommagé.
 - Si nous **ne** voyez pas d'autres de retour de fumée, appuyer sur le bouton OFF (arrêt) et attendre que l'appareil s'arrête et se refroidisse complètement; nettoyer ensuite l'aire de la chambre de combustion avant de le redémarrer (consulter « Avant de redémarrer votre appareil » ci dessus).
2. Si vous voyez de la fumée sortir de votre appareil et qu'il **n'y a pas** de panne de courant, **NE PAS OUVRIR LA TRÉMIE OU LA PORTE DE VOTRE APPAREIL!! Rester calme.** Ne débranchez pas! Ouvrir la porte extérieure et les fenêtres les plus proches et attendre que la fumée se dissipe (au moins une heure, bien que la fumée doive se dissiper rapidement si la porte et les fenêtres sont ouvertes). Ne pas redémarrer votre appareil avoir d'avoir appeler le support technique au (800) 245-6489.

IMPORTANT! Lisez et suivez TOUTES les instructions pour l'installation et l'entretien, notamment celles portant sur le nettoyage de l'appareil à effectuer selon les directives et celles portant sur le remplacement des joints (annuellement) et des pièces (au besoin). England's Stove Works n'est pas responsable des dommages ni des blessures, quels qu'ils soient, subis en raison de négligence ou à cause d'une installation ou utilisation dangereuse de ce produit. Pour toute question, communiquez avec le service de soutien technique.

INFORMATION IMPORTANTE

1. Vérifier les codes locaux d'installation de votre région. Appeler le représentant de votre assurance de propriétaire occupant pour une inspection de l'installation de votre poêle.
2. Lire et suivre les de ce mode d'emploi.
3. Cet appareil doit être testé (marche à vide) pendant 20 minutes avant de le charger en granules. Le poêle doit s'arrêter automatiquement après une marche à vide de 20 minutes.
4. **Votre poêle est conçu pour brûler des granules de bois de qualité supérieure.** Brûler du charbon en pois, des noyaux de cerise ou autre chose que des granules de bois annulera votre garantie. Des granules avec un contenant élevé de cendres brûleront salement et l'appareil devra être nettoyé plus souvent. Cet appareil est conçu pour des granules d'1/4 po (6,4 mm) de diamètre. Les granules de plus de 2 po (51 mm) de long peuvent obstruer la vis sans fin et leur utilisation demande un dégagement manuel fréquent.
5. Veiller à ce que les granules ne soient ni humides ni mouillées. Tenir la sciure hors de l'appareil.
6. Utiliser du TUYAU DE CONDUIT POUR GRANULES À VERROUILLAGE PAR ROTATION homologué UL (ULC si le Canada) de trois pouces (3 po [75 mm]) lors de l'installation de ce poêle et suivre les spécifications du fabricant pour l'installation et les espacements (nous recommandons particulièrement le tuyau pour granules à verrouillage par rotation de Dura-Vent) (**Kit AC-3000, AC-33000 si le Canada**). Pour des installations situées à plus de 1200 m (4000 pi) au dessus du niveau de la mer, l'évacuation doit être ventilée par du conduit pour poêles à granules de 4 po (100 mm) (**Kit AC-3100, AC-33100 si le Canada**). Même si ce tuyau se verrouille, c'est une bonne idée de sceller tous les raccords avec du silicone haute température (**AC-RTV3**). Utiliser au moins trois vis pour fixer le tuyau au ventilateur d'aspiration de l'appareil. De plus, si vous n'utilisez pas un tuyau pour granules à verrouillage par rotation homologué U.L. veiller à utiliser un tuyau pour granules homologué U.L. et fixer chaque raccord du tuyau avec au moins trois vis (ULC si le Canada).

De l'air comburant extérieur est obligatoire pour que ces appareils fonctionnent correctement. Faire cette connexion à l'aide d'un tuyau métallique d'1 7/8 po (47,6 mm) de diamètre intérieur (acier, aluminium ou cuivre) et un raccord. Veiller à bien fixer le tuyau à l'appareil avec un collier ou du ruban aluminium. Il faut grillager l'extrémité extérieure pour empêcher des matières étrangères de pénétrer dans le système. Essayer de garder un minimum de coudes à ce tuyau. Vous pouvez utiliser notre pièce No PU-OAK (Kit pour air extérieur avec tuyau flexible).

NOTE : S'il s'agit d'un appareil plus ancien, mesurer l'ouverture pour déterminer le diamètre du tuyau.

NOTE : Si la longueur totale de la connexion d'aspiration dépasse 1,80 m (6 pi), utiliser un tuyau métallique et un raccord de 3 po (75 mm).

7. Inspecter régulièrement l'aire de la chambre de combustion et si une croûte se forme, l'enlever avec un tisonnier.
8. Il faut retirer régulièrement la cendre de la chambre de combustion selon votre fréquence de combustion. L'aire à droite et à gauche de la chambre de combustion sert à entreposer les cendres; garder propres les trous d'aération de la chambre de combustion pour une combustion plus efficace. Vérifier fréquemment le système d'évacuation. Consulter le chapitre « Nettoyage et élimination des cendres ».
9. Conserver les granules et autres matières combustibles à une distance sécuritaire de l'appareil.
10. Il faut à cet appareil une protection de plancher s'il est installé sur une surface combustible. La protection doit être agréée U.L. ou équivalent et doit être assez grande pour assurer au minimum un pouce (1.0") derrière, quatre pouces (4.0") sur les deux côtés du fourneau et au moins six pouces (6.0") devant l'unité.
11. Les portées horizontales ne doivent pas dépasser 1,20 m (4 pi) avec une hauteur verticale maximale du conduit de fumée de 10,67 m (35 po). À 4,57 m (15 pi), le tuyau de conduit pour poêle à granules doit avoir un diamètre de 102 mm (4 po).
12. Il faut arrêter l'appareil et le laisser refroidir avant de le nettoyer. Il faut conserver les cendres dans un contenant métallique hermétique et ne pas les jeter avant qu'elles soient complètement froides.
13. Lire attentivement les directives, y compris celles concernant le tableau de commandes numérique et les conserver pour référence ultérieure.

IMPORTANT! Lisez et suivez TOUTES les instructions pour l'installation et l'entretien, notamment celles portant sur le nettoyage de l'appareil à effectuer selon les directives et celles portant sur le remplacement des joints (annuellement) et des pièces (au besoin). England's Stove Works n'est pas responsable des dommages ni des blessures, quels qu'ils soient, subis en raison de négligence ou à cause d'une installation ou utilisation dangereuse de ce produit. Pour toute question, communiquez avec le service de soutien technique.

14. Ne pas laisser de peinture, de produits chimiques ou de poussière de construction près de votre appareil. Ne pas laisser de liquide ni QUELCONQUES matières étrangères sur ou dans l'appareil. Fermer et couvrir l'appareil lors d'activités de peinture, de construction ou autres du même ordre. Essuyer et nettoyer votre appareil après toute construction faite dans la maison ou si des matières étrangères sont déposées sur ou dans votre appareil. Vous pourriez aussi avoir besoin d'enlever les plaques de protection arrière et latérales (débrancher d'abord l'appareil) pour passer l'aspirateur et nettoyer les moteurs et l'intérieur.
15. Un mauvais entretien des joints d'étanchéité, y compris le défaut de les remplacer, peut causer des fuites d'air entraînant des retours de fumée.
16. N'oubliez pas que, comme avec tout appareil, l'utilisateur est responsable, y compris de l'installation, de l'utilisation et de l'entretien de ce produit. Veillez à consulter les codes locaux et appeler le support technique au (800) 245-6489 en cas de questions.
17. **Veillez à suivre les instructions des fabricants de tous les tiers produits dont vous vous servez, y compris le tuyau d'évacuation, etc. Ne jamais utiliser d'essence, d'huile à lampe, d'allume-barbecue, de diesel ou d'autre liquide inflammable pour démarrer le feu. Si vous démarrez manuellement votre appareil, les allume-feu recommandés sont : Des copeaux de bois imprégnés de cire, des cubes de carton ou des plaquettes allume-feu conçues pour les poêles à granules (Consulter le chapitre sur le démarrage manuel de l'appareil). Suivre les instructions des fabricants pour ces produits, et NE JAMAIS poser d'allume-feu sur une surface chaude ou des charbon chauds. Ne jamais appliquer de produits allume-feu sur une surface chaude ou des charbon chauds.**
18. **Installation au sous-sol :** Nous recommandons qu'une installation au sous-sol soit effectuée uniquement par un installateur professionnel. Pour les installations au sous-sol, il faut utiliser un tuyau de 3 po (75 mm) et un raccord pour l'air comburant extérieur et il faut conserver un espacement minimal de 900 mm (3 pi) depuis le sol jusqu'au tuyau évacuation du conduit hors de l'habitation. Ne pas oublier que chaque coude réduit le tirage de 15%; il est donc préférable d'ajouter une portée verticale de 900 mm (3 pi) pour chaque coude. Exemple: Après le 2nd coude, il faut 1,80 m (6 pi) de hauteur verticale avant de finir le conduit.

PRÉPARATION DE L'APPAREIL

1. Fixer la poignée à ressort à la porte en la tournant dans le sens antihoraire.
IMPORTANT : Vérifier aussi les loquets de la trémie – Elle doit être bien fermée afin que la trémie soit hermétique pour empêcher un retour de flamme.
2. Tester votre prise de courant 110 v puis brancher l'appareil. **(Nous recommandons fortement un parasurtenseur pour votre poêle à granules car le tableau de commande est électronique).**
3. Il est important de noter que ce poêle est équipé d'un système à double vis sans fin. La vis sans fin supérieure fonctionne de manière intermittente et dépose les granules dans la vis inférieure; celle-ci tourne en permanence et pousse simplement les granules dans la chambre de combustion. Le réglage (« Plage de chaleur ») au tableau de commande détermine le taux d'alimentation de la vis sans fin supérieure.
4. Le poêle dispose d'un tableau de commande numérique à lecture de mémoire et démarre lorsqu'on appuie sur la touche « ON ». Cela démarrera les vis sans fin supérieure et inférieure et le ventilateur d'aspiration. Le ventilateur de la pièce démarrera plus tard quand le poêle atteindra la température préétablie pour le ventilateur (Consulter le chapitre Tableau de commande » pour plus d'explication).
5. Vérifier que les deux vis sans fin et le ventilateur d'aspiration fonctionnent avant de connecter l'appareil au conduit de fumée. Veillez à faire « fonctionner à sec » votre appareil pendant 20 minutes avant de le connecter au conduit de fumée (il doit s'arrêter automatiquement après 20 minutes).

Consulter notre site Web à www.heatredefined.com pour de l'information utile, la foire aux questions, les commandes de pièces et d'accessoires et plus encore!

IMPORTANT! Lisez et suivez TOUTES les instructions pour l'installation et l'entretien, notamment celles portant sur le nettoyage de l'appareil à effectuer selon les directives et celles portant sur le remplacement des joints (annuellement) et des pièces (au besoin). England's Stove Works n'est pas responsable des dommages ni des blessures, quels qu'ils soient, subis en raison de négligence ou à cause d'une installation ou utilisation dangereuse de ce produit. Pour toute question, communiquez avec le service de soutien technique.

AVIS IMPORTANT : Il faut installer correctement cet appareil pour prévenir la possibilité d'un incendie ou d'un « retour de fumée ». Il faut suivre strictement les directives.

Ne pas utiliser de méthodes ou de matériel improvisés qui pourraient compromettre l'installation.

Votre appareil requiert un entretien et un nettoyage périodique (Consulter le mode d'emploi). Le défaut d'entretenir votre appareil pourrait entraîner de nombreux problèmes, y compris, mais sans y être limité, une dispersion accidentelle de fumée dans la maison. England's ne sera pas tenue responsable pour les dommages indirects aux biens ou aux personnes résultant de l'utilisation de ce produit.

SYSTÈME DE CONDUIT DE FUMÉE

Attention : Suivre les directives du fabricant du tuyau et les instructions pour le passer au travers de murs et de plafonds combustibles.

Prendre soin de vérifier les codes locaux de votre région.

NOTE : Voir le dessin de installation plus loin dans ce manuel (Illustration 1).

Cet appareil dispose d'un système de tirage négatif qui tire l'air comburant à travers la chambre de combustion et pousse l'air vicié hors de l'habitation. Si cet appareil est raccordé au système de conduit de fumée autrement que de la façon expliquée dans ce manuel, il ne fonctionnera pas correctement.

Ne pas oublier que chaque coude réduit le tirage de 15%; il est donc préférable d'ajouter une portée verticale de 900 mm (3 pi) pour chaque coude. Exemple: Après le 2nd coude, il faut 1,80 m (6 pi) de hauteur verticale avant de finir le conduit.

Tuyau d'évent pour poêle à granules

Nous recommandons le tuyau d'évent pour poêle à granules homologué UL (ULC si le Canada) avec verrouillage par rotation; cependant, il est aussi recommandé de sceller les raccords au silicone haute température (**AC-RTV3**). England's Stove Works recommande l'utilisation du tuyau à verrouillage par rotation ® (**AC-3000 kit, AC-33000 si le Canada**) de Dura-Vent (Si vous utilisez un autre tuyau, consulter vos codes locaux ou des inspecteurs du bâtiment et fixer chaque raccords à avec au moins trois vis — Voir Information importante, ci dessus). *Ne pas* utiliser de tuyau d'évent à gaz « B » ou de tuyau galvanisé avec cet appareil. Le tuyau pour poêle à granules est conçu pour être démonté afin de le nettoyer et il faut l'inspecter plusieurs fois durant la saison de chauffage — Il n'est pas livré avec l'appareil et doit être acheté séparément. Pour des installations situés à plus de 1200 m (4000 pi) au dessus du niveau de la mer, l'évacuation doit être ventilée par du conduit pour poêles à granules de 4 po (100 mm) (**Kit AC-3100, AC-33100 si le Canada**). **Ne pas installer de registre de tirage clapet de quelque sorte dans ce système et ne pas raccorder l'appareil à un système de conduit de fumée qui dessert un autre appareil de chauffage.**

À travers le mur

Pour l'évacuation de l'appareil à travers le mur, raccorder l'adaptateur de tuyau à celui de moteur d'aspiration. Si l'adaptateur pour l'aspiration est d'au moins 18 po au dessus du niveau du sol une section droite de conduit pour poêle à granules peut servir à passer à travers le mur (Voir **Illustration 1**). Notre concessionnaire ou l'usine devrait pouvoir vous procurer un kit qui convient le mieux à cette installation; Il comprendra un manchon d'emboîtement de mur qui permettra les bons espacements à travers un mur combustible. Une fois hors de la structure, il faut maintenir un espacement de 75 mm (3 po) au mur extérieur et poser un té avec regard de nettoyage au tuyau qui dépasse à travers le mur. Il est nécessaire que le tuyau soit disposé verticalement sur au moins 91,44 cm de tuyau vertical avec un coude à 90 degrés vers l'extérieur de la maison. À cet endroit, une section de 300 mm (1 po) et un chapeau horizontal cap compléteront l'installation (Voir **Illustration 1**).

Il faudra placer un étrier mural juste sous la dernière section à 90 degrés pour rendre le système plus stable. Si vous vivez dans une région de fortes chutes de neige, il est recommandé que cette installation soit plus haute que 900 mm (3 pi) pour se trouver au dessus du niveau de la neige.

Le même type d'installation peut servir si votre poêle est au sous-sol en ajoutant la section de nettoyage et le tuyau vertical à l'intérieur pour atteindre le niveau du sol. Cependant, nous recommandons qu'une

IMPORTANT! Lisez et suivez TOUTES les instructions pour l'installation et l'entretien, notamment celles portant sur le nettoyage de l'appareil à effectuer selon les directives et celles portant sur le remplacement des joints (annuellement) et des pièces (au besoin). England's Stove Works n'est pas responsable des dommages ni des blessures, quels qu'ils soient, subis en raison de négligence ou à cause d'une installation ou utilisation dangereuse de ce produit. Pour toute question, communiquez avec le service de soutien technique.

installation au sous-sol soit effectuée uniquement par un installateur professionnel. Pour les installations au sous-sol, il faut utiliser un tuyau de 3 po (75 mm) et un raccord pour l'air comburant extérieur et il faut conserver un espacement minimal de 900 mm (3 pi) depuis le sol jusqu'au tuyau évacuation du conduit hors de l'habitation.

L'installation à travers le mur est la moins chère et la plus simple. Dans une installation à travers le mur, vous devez tenir compte du niveau d'accumulation de la neige ainsi que de l'herbe et des feuilles mortes. Il est nécessaire que le tuyau soit disposé verticalement sur au moins 91,44 cm pour créer un tirage naturel dans le système, à l'intérieur ou à l'extérieur de l'habitation.

Par le plafond

Pour l'évacuation du poêle par le plafond, le tuyau est raccordé de la même manière qu'à travers le mur, excepté que le té avec regard de nettoyage est toujours à l'intérieur et qu'un adaptateur de 3 po (75 mm) est ajouté avant le té. Vous devez utiliser les bonnes brides de support au plafond et le solin de toit fournis par le fabricant de tuyau -- Suivre les instructions du fabricant et l'illustration 1 de ce manuel. Il est important de noter que si vos portées verticales font plus de 4,57 m (15 pi) à cet endroit, il faut augmenter le diamètre de tuyau de conduit pour poêle à 4 po (100 mm) de diamètre. Ne pas dépasser 1,20 m (4 po) de tuyau par portée horizontale, et essayer d'utiliser le moins de coude possible dans votre système de conduit de fumée. Si un décalage est nécessaire, utiliser un coude à 45 degrés quand c'est possible. *NOTE : Installer des coudes peut réduire le tirage de 15% par coude.*

Système de conduit de fumée existant

Si vous remplacez un poêle à bois par un poêle à granules, il faut nettoyer soigneusement la cheminée ou le conduit avant d'effectuer l'installation. En cas de raccordement de ce poêle à une cheminée fabriquée en usine, il faut **UNIQUEMENT** utiliser un système d'évacuation UL103 HT (ULC S629 si le Canada) avec un carneau de 6 po. Un raccordement à toute autre cheminée fabriquée en usine pourrait causer un mauvais fonctionnement ou une installation dangereuse. En raccordant à une cheminée de maçonnerie existante, il faut tenir compte de la section du carneau. Dans le cas d'une cheminée avec un conduit plus grand que 6 po rond (28,27 po² [182 cm²]), il pourrait être nécessaire de refaire un revêtement intérieur à l'aide d'un tuyau approuvé pour poêle à granules. Veiller aussi à ce que la cheminée respecte les normes minimales de la NFPA 211 (un fumiste peut le confirmer après inspection).

Air extérieur (Prise d'air comburant extérieur)

Le raccordement à l'air extérieur est obligatoire pour que cet appareil fonctionne correctement. Nous avons conçu et testé cet appareil avec ce raccordement parce que de nombreuses maisons sont hermétiques et il n'y a pas assez d'air comburant disponible dans l'habitation. Le tuyau de prise d'air est situé à la base de la chambre de combustion (à l'arrière) et mesure 1 ½ po (38 mm) de diamètre intérieur. Le raccordement sera fait à l'aide d'un raccord et d'un tuyau métalliques de 1 7/8 po (47,6 mm) de diamètre intérieur (consulter le chapitre « Information importante ») et doit sortir à travers le mur. Veiller à bien fixer le tuyau à l'appareil avec un collier ou du ruban aluminium. Il faut griller l'extrémité extérieure du tuyau pour empêcher des matières étrangères de pénétrer dans le système. Vous pouvez vous servir de notre kit d'air extérieur (numéro de pièce PU-OAK). Si l'appareil est situé sous le niveau du sol, vous aurez besoin d'une portée verticale vers le haut et ensuite hors de l'habitation. *NOTE : Si la portée totale du raccordement dépasse 1,80 m (6 pi), si elle a plus de 2 coudes ou si l'installation est en sous-sol, utiliser un tuyau métallique (et un raccord) de 3 po (75 mm).* *NOTE :* S'il s'agit d'un appareil plus ancien, mesurer l'ouverture pour déterminer le diamètre du tuyau.

Installation dans une maison mobile

Fixer le poêle au plancher par les deux trous du socle. Si l'appareil est sur une surface combustible, vous devrez percer les trous correspondants dans la protection de plancher que vous aurez choisi (Consulter le chapitre Protection de plancher). Ne pas modifier l'intégrité de la structure de la maison, veiller à ce que l'appareil soit mis à la masse en permanence au châssis de votre maison et ne pas oublier qu'une admission d'air extérieur de combustion est obligatoire.

AVERTISSEMENT : NE PAS INSTALLER DANS UNE CHAMBRE À COUCHER
MISE EN GARDE : IL FAUT RESPECTER L'INTÉGRITÉ DE LA STRUCTURE DES PLANCHERS, MURS ET
PLAFONDS/TOIT DE LA MAISON PRÉFABRIQUÉE.

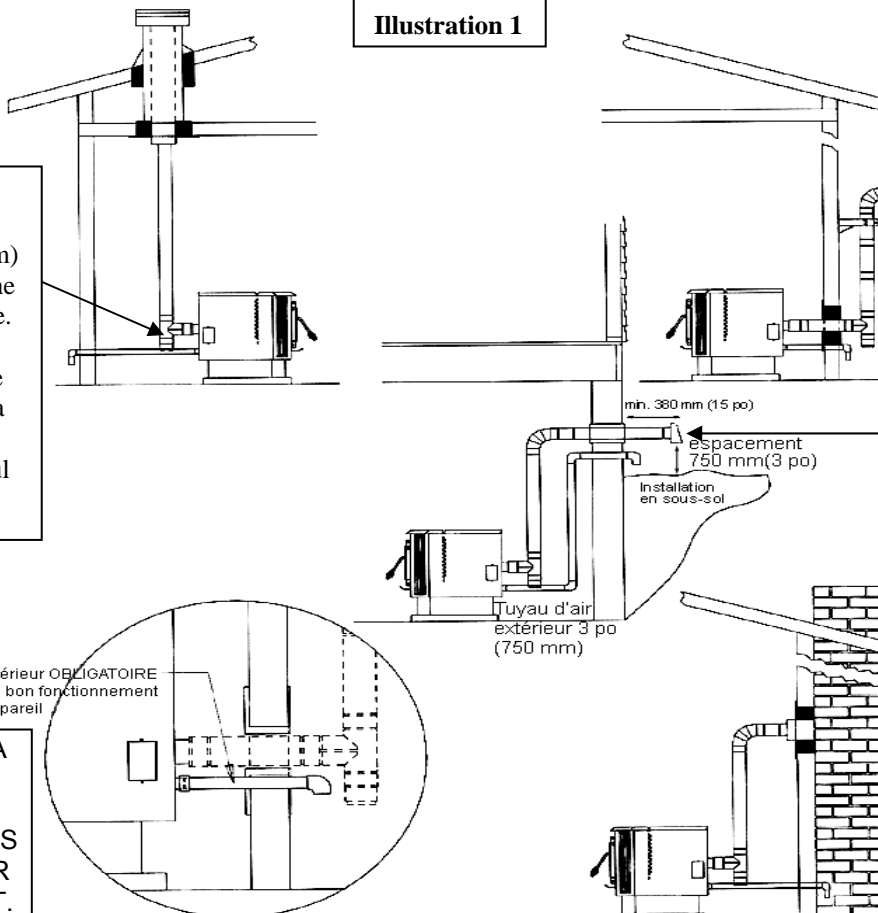
***INSTALLATION DÉFECTUEUSE : Le fabricant ne sera pas tenu responsable des dommages causés par le mauvais fonctionnement d'un poêle dû à une évacuation ou une installation défectueuses.**

Appeler au (800-245-6489) ou consulter un installateur professionnel si vous avez des questions.

IMPORTANT : L'appareil ne fonctionnera pas si le raccordement est incorrect (trop de tuyau, trop de coudes etc.). Appeler le support technique au (800-245-6489) si vous avez des questions au sujet de votre raccordement ou si votre appareil ne fonctionne pas.

Installation d'un poêle à granules autonome
Attention : Suivre les directives du fabricant du tuyau et les instructions pour le passer au travers de murs et de plafonds combustibles. Vérifier les codes locaux de votre quartier.

Illustration 1



Notre pièce AC-3000 est acceptable pour une installation à travers le mur. (AC-3100 pour des installations à 1200 m (4000 pi) et plus) AC-33000 ou AC-33100 si le Canada

Doit avoir un adaptateur d'au moins 3 po (75 mm) avant le té pour une portée plus longue. Pour une courte portée (comme le raccordement à la maçonnerie ci-dessous), le té seul est acceptable.

Un installateur professionnel devrait effectuer une installation au sous-sol. Utiliser un tuyau et un raccord métallique de 3 po (75 mm) pour l'air comburant extérieur. Espace minimal de 900 mm (3 pi)

INSTALLER LA VENTILATION AVEC LES DÉGAGEMENTS INDIQUÉS PAR LE FABRICANT.

Raccordement à la maçonnerie

1. Si le tuyau de conduit de fumée 3 po (75 mm) dépasse 4,57 m (15 pi), augmenter le diamètre à 4 po (100 mm) pour les autres raccordements du conduit.
2. La longueur totale du conduit de fumée ne doit pas dépasser 10,65 m (35 pi)
3. Une portée horizontale ne doit pas dépasser 1,20 m (4 pi).
4. Protecteur de plancher requis: Dimensions min. 787 mm x 813 mm (31 po x 32 po)
5. Si la portée totale du raccordement dépasse 1,80 m (6 pi), si elle a plus de 2 coudes ou si l'installation est en sous-sol, utiliser un tuyau métallique (et un raccord) de 3 po (75 mm).
6. * *Un raccordement à l'air extérieur est obligatoire pour un fonctionnement correct et sans danger.*

INSTALLEZ L'ÉVENT EN RESPECTANT LES DÉGAGEMENTS INDIQUÉS PAR LE FABRICANT DE L'ÉVENT. PROTECTION DU PLANCHER ET DES MURS

Si votre plancher est construit en matière non combustible telle que brique ou béton, une protection du plancher n'est pas nécessaire. Si le plancher est construit en matière combustible telle que bois dur, linoléum, ou tapis, vous serez alors requis d'utiliser une protection du plancher entre l'unité et le combustible. La protection doit être agréée U.L. ou équivalent (ULC si le Canada) et doit être assez grande pour assurer au minimum un pouce (1.0") derrière, quatre pouces (4.0") sur les deux côtés du fourneau et au moins six pouces (6.0") devant l'unité. Cette protection du plancher est prévue seulement comme protection contre les étincelles et les braises, en conséquence elle doit être seulement non combustible (aucune valeur R n'est requise).

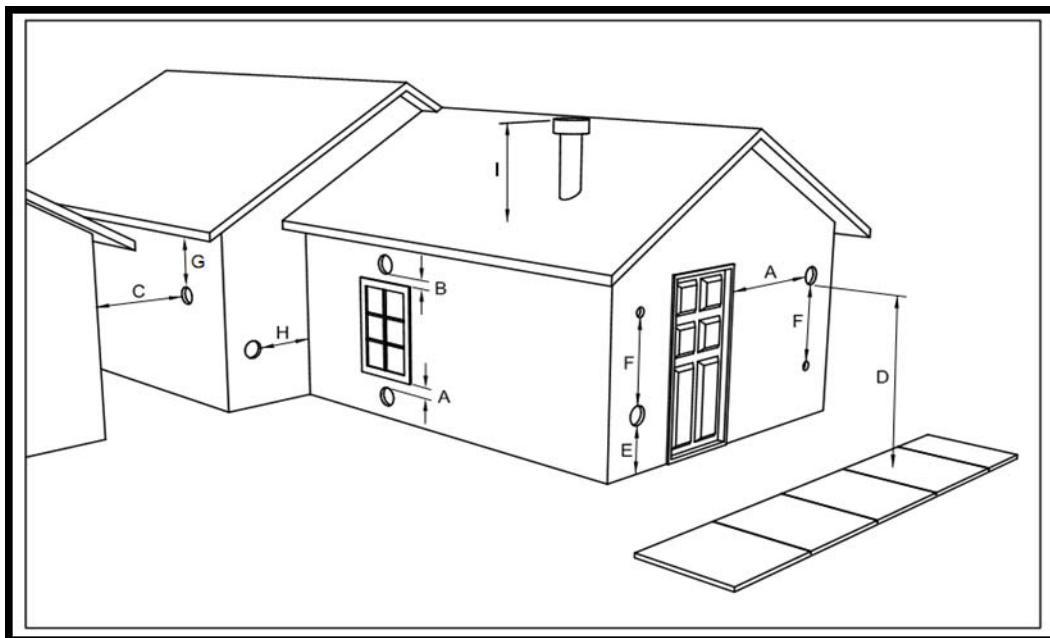
Remarque : Le Canada a besoin de 450 mm devant et 200 mm côtés et arrière.

Protection des murs : L'espace nécessaire à l'arrière et sur les côtés est seulement de 152 mm (6 po) aux lambris, papier peint ou gyproc. Le tuyau de conduit pour poêle à granules nécessite un espace standard de 75 mm (3 po) ou selon la recommandation du fabricant. Normalement aucune autre protection murale n'est nécessaire avec cet appareil.

IMPORTANT! Lisez et suivez TOUTES les instructions pour l'installation et l'entretien, notamment celles portant sur le nettoyage de l'appareil à effectuer selon les directives et celles portant sur le remplacement des joints (annuellement) et des pièces (au besoin). England's Stove Works n'est pas responsable des dommages ni des blessures, quels qu'ils soient, subis en raison de négligence ou à cause d'une installation ou utilisation dangereuse de ce produit. Pour toute question, communiquez avec le service de soutien technique.

DÉGAGEMENTS DES TERMINAISONS DES ÉVÉNEMENTS

- A) DÉGAGEMENT D'AU MOINS 1,22 M EN DESSOUS OU SUR LE CÔTÉ DE TOUTE PORTE OU FENÊTRE POUVANT S'OUVRIR.
- B) DÉGAGEMENT D'AU MOINS 0,3 M AU-DESSUS DE TOUTE PORTE OU FENÊTRE POUVANT S'OUVRIR.
- C) DÉGAGEMENT D'AU MOINS 0,61 M DE TOUT BÂTIMENT VOISIN.
- D) DÉGAGEMENT D'AU MOINS 2,13 M À PARTIR DU NIVEAU DU SOL LORSQUE L'INSTALLATION JOUXTE LA VOIE PUBLIQUE.
- E) DÉGAGEMENT D'AU MOINS 0,61 M AU-DESSUS DES HERBES, DES PLANTES ET DE TOUT AUTRE MATÉRIEL COMBUSTIBLE.
- F) DÉGAGEMENT D'AU MOINS 0,91 M DE LA PRISE D'AIR PAR VENTILATION FORCÉE D'UN APPAREIL, QUEL QU'IL SOIT.
- G) DÉGAGEMENT D'AU MOINS 0,61 M EN DESSOUS DES AVANT-TOITS OU DES SAILLIES.
- H) DÉGAGEMENT D'AU MOINS 0,3 M DES MURS FAIT DE MATÉRIEL COMBUSTIBLES.
- I) VENTS INSTALLÉS AVEC ASPIRATEURS MÉCANIQUES SE TERMINE AU MOINS 12 PO. (305 MM) AU DESSUS DU PLUS HAUT POINT OU ILS TRAVERSENT LA SURFACE DU TOIT.



Notes sur les extrémités de tuyau de conduit pour poêle à granules (Consulter aussi le chapitre « SYSTÈME DE CONDUIT DE FUMÉE »):

1. À plus de 0,91 m (3 pi) au-dessus d'une entrée d'air forcé situé dans les 3 m (10 pi).
2. À plus d'1,20 m (4 pi) sous ou horizontalement, ou à plus de 305 mm (1 pi) au-dessus d'une porte, d'une fenêtre, ou d'une entrée d'air par gravité dans un bâtiment
3. À plus de 610 mm (2 pi) d'un bâtiment adjacent et à plus de 2,1 m (7 pi) au-dessus du niveau des trottoirs publics adjacents

Il faut installer la sortie d'évacuation afin que les gaz ne soient pas dirigés de manière à déranger les gens, ne surchauffent pas de structures combustibles ou n'entrent pas dans des bâtiments. Il faut installer les systèmes à tirage forcé et toutes les pièces des systèmes à tirage induit sous pression positive pendant le fonctionnement pour qu'ils soient étanches aux gaz ou pour empêcher la fuite de produits de combustion dans un bâtiment. Les conduits à travers le mur ne doivent pas se terminer au-dessus de trottoirs publics où là où le condensat ou la vapeur pourraient créer des risques ou une nuisance.

Veiller à suivre les codes locaux et toutes les directives du fabricant (y compris celles du tuyau d'évacuation). Consulter un installateur professionnel ou appeler le support technique si vous avez des questions.

IMPORTANT! Lisez et suivez TOUTES les instructions pour l'installation et l'entretien, notamment celles portant sur le nettoyage de l'appareil à effectuer selon les directives et celles portant sur le remplacement des joints (annuellement) et des pièces (au besoin). England's Stove Works n'est pas responsable des dommages ni des blessures, quels qu'ils soient, subis en raison de négligence ou à cause d'une installation ou utilisation dangereuse de ce produit. Pour toute question, communiquez avec le service de soutien technique.

DIRECTIVES D'UTILISATION

ATTENTION : NE PAS UTILISER AVEC LA PORTE OUVERTE.

Si la porte est laissée ouverte pendant deux minutes (environ), l'appareil cessera d'être alimenté et le feu s'éteindra.
Ne pas brûler de rebuts (sacs de papier, etc.) dans cet appareil.

N'installez pas ou ne faites pas fonctionner cet appareil à l'extérieur, dans une serre ou dans une zone où l'humidité est élevée

Ce poêle dispose d'un système de tirage induit et est conçu pour fonctionner continuellement; des arrêts fréquents ne sont pas nécessaires. Le tableau de commande numérique fait fonctionner l'appareil avec un système à relais à temps spécifié; ce système commande la vitesse d'avancement de la vis sans fin supérieure en la faisant fonctionner durant un nombre prédéterminé de secondes tandis que la vis sans fin inférieure tourne constamment. Le réglage de la touche de la « **Plage de chaleur** » commandera l'émission de chaleur et la quantité de granules que l'appareil va brûler (Consulter le chapitre « Tableau de commande » et l'**Illustration 3**). Note : Ce poêle brûle du combustible solide et ne redémarre pas automatiquement.

Système d'alimentation horizontal

Cet appareil est équipé d'une vis sans fin supérieure et d'une autre inférieure, séparées par 100 mm (4 po); un moteur d'1 tr/min entraîne chaque vis. Par intermittence, la vis supérieure laisse tomber des granules dans le tube de la vis inférieure qui les pousse vers la chambre de combustion. Ceci permet d'empêcher une accumulation de combustible dans le tube de la vis inférieure. À mesure que les granules pénètrent dans la chambre de combustion, l'air comburant est tiré à travers le combustible.

PROCÉDURE DE DÉMARRAGE

Attention - Ne jamais utiliser d'essence, d'huile à lampe, d'allume-barbecue, de diesel ou d'autre liquide inflammable pour démarrer le feu.

1. Vérifier que la trémie est propre et exempte de matériaux étrangers. Vérifier qu'il y a du courant à la prise (nous vous recommandons d'équiper votre appareil d'un parasurtenseur).
2. **Avant votre premier feu faire fonctionner votre appareil à sec (sans granules dans la trémie)** pendant 20 minutes. Appuyer sur le bouton « ON » pour commencer la marche à vide. Après 20 minutes de marche à vide, le tableau de commande reviendra à « OFF ». Un code d'erreur apparaîtra dans les fenêtres de la plage de température et de la vitesse du ventilateur comme « E-2 », ce qui signifie que l'appareil n'a pas démarré normalement. Après l'affichage de ce code et que vous êtes sûr que l'appareil fonctionne correctement, remplir la trémie avec des granules de bois. Ne pas introduire de morceau du sac ou autre matériau étranger dans la trémie car cela pourrait bloquer les vis sans fin. Veiller à ce que le joint d'étanchéité du couvercle de la trémie soit exempt de matière de granules et que les loquets du couvercle et la porte de l'appareil soient bien fermés. Appuyer sur le bouton « ON »; cela annulera le code d'erreur et redémarrera votre poêle.

Démarrage automatique Lorsqu'on appuie sur le bouton « ON » pour un démarrage à froid, l'appareil est en « Démarrage » (après 3 seconds, « S U » apparaîtra dans les fenêtres du degré de chaleur et de la vitesse du ventilateur pour le vérifier). Dans ce mode, l'appareil est dans une degré de chaleur préétablie et y restera pendant 20 minutes pour empêcher sa surchauffe. Pendant cette période de démarrage, vous pouvez régler le tableau de commande au réglage désiré; une fois cette période terminée, l'appareil fonctionnera en fonction du réglage de l'utilisateur.

Démarrage manuel Dans le cas où le démarrage automatique échoue, vous pouvez démarrer manuellement votre appareil. Pour le faire, nettoyer d'abord les granules hors de la chambre de combustion (pour empêcher une suralimentation). Mettre une poignée de nouvelles granules dans la chambre de combustion, puis répandre une petite quantité d'allume-feu pour granules sur celles-ci et y mettre le feu. Une fois les granules enflammées, fermer la porte du poêle et appuyer sur le bouton « ON » (Si la porte est fermée avant que les granules soient complètement enflammées, le ventilateur d'aspiration pourrait éteindre le feu). Allume-feu recommandés : Des copeaux de bois imprégnés de cire, des cubes de carton ou des plaquettes allume-feu conçues pour les poêles à granules. Suivre les instructions des fabricants pour ces produits, et NE JAMAIS poser d'allume-feu sur une surface chaude ou des charbons chauds. Ne jamais utiliser d'essence, d'huile à lampe, d'allume-barbecue, de diesel ou d'autre liquide inflammable pour démarrer le feu. Ne jamais démarrer manuellement si l'allumeur fonctionne. NE JAMAIS poser d'allume-feu près de l'allumeur. Si vous avez sans arrêt des problèmes avec l'allumeur automatique, appeler le support technique.

IMPORTANT! Lisez et suivez TOUTES les instructions pour l'installation et l'entretien, notamment celles portant sur le nettoyage de l'appareil à effectuer selon les directives et celles portant sur le remplacement des joints (annuellement) et des pièces (au besoin). England's Stove Works n'est pas responsable des dommages ni des blessures, quels qu'ils soient, subis en raison de négligence ou à cause d'une installation ou utilisation dangereuse de ce produit. Pour toute question, communiquez avec le service de soutien technique.

E-Codes

Les « E-Codes », ou codes d'erreur, sont des codes qui apparaissent dans les fenêtres du degré de chaleur et de la vitesse du ventilateur du tableau de commande si votre appareil présente des problèmes. Si un de ces codes est affiché, essayer d'abord de réinitialiser l'appareil en appuyant sur le bouton « ON » (une fois seulement). Si l'appareil continue d'afficher des E-Code(s), veuillez communiquer avec le support technique au (800) 245-6489 avant d'essayer de le redémarrer.

1. E-1 = Perte d'aspiration
2. E-2 = Ne démarre pas
3. E-3 = Au dessus de la limite de température

NOTE : «E-0» indique « Aucune erreur »

Premier feu : Régler le « degré de chaleur » à « 5 » et laisser le poêle brûler ainsi pendant *au moins* (3) heures. Cela permet à l'appareil « de se nettoyer » en brûlant la peinture et les huiles de la fabrication. Nous vous recommandons d'ouvrir les portes et les fenêtres de votre maison pendant cette opération.

Démarrages à froid ultérieurs : Dans une situation de démarrage à froid, l'appareil doit fonctionner au réglage de « 5 » jusqu'à ce que le ventilateur d'air de la pièce commence à fonctionner.

NOTE : Le cycle de démarrage de cet appareil avec l'allumeur automatique est de 13 minutes. Appuyer sur le bouton « ON » une fois seulement au démarrage. Appuyer sur le bouton « ON » une deuxième fois pendant le cycle de démarrage fera recommencer celui-ci

IMPORTANT : Si l'appareil ne démarre pas normalement ou n'effectue pas correctement la procédure d'arrêt, **ouvrir la porte extérieure la plus proche et une fenêtre pour éliminer le tirage naturel de la maison AVANT d'ouvrir la porte et le couvercle de la trémie du poêle.** Cela permettra à la fumée de sortir par le raccordement d'air extérieur plutôt que de se répandre dans la maison.

PROCÉDURE D'ARRÊT

MISE EN GARDE : NE JAMAIS ARRÊTER CET APPAREIL EN LE DÉBRANCHANT DE SA SOURCE DE COURANT.

Consulter les directives suivantes :

Appuyer sur la touche « OFF » pour mettre le poêle en mode d'« arrêt ». Un « SD » apparaîtra dans les fenêtres de la plage de température et de la vitesse du ventilateur pour le vérifier pendant que l'appareil s'arrête. À ce moment, le témoin lumineux rouge au dessus de la touche « OFF » s'allumera. Quand on appuie sur la touche « OFF » la vis sans fin supérieure arrête immédiatement d'alimenter en granules le tube de la vis sans fin inférieure, mais le ventilateur d'air de la pièce, le ventilateur d'aspiration et la vis inférieure continuent de fonctionner. Lorsque la température interne atteint 35 °C (95 °F), le ventilateur d'air de la pièce arrête, et lorsqu'elle atteint 32 °C (90 °F), la vis inférieure et le ventilateur d'aspiration s'arrêtent également. Le témoin lumineux rouge s'éteindra alors et le poêle sera à l'arrêt complet. Plus la température de fonctionnement du poêle est élevée, plus son cycle d'arrêt prendra de temps.

Note : L'appareil sortira du cycle d'arrêt si vous appuyez sur un bouton durant ce cycle.

Note : Si la température de la pièce se maintient au dessus de 21 °C (70 °F), le poêle restera en mode d'arrêt pendant 60 minutes, quelque soit la lecture de température au capteur de chaleur. Au bout de 60 minutes, l'appareil arrêtera automatiquement

IMPORTANT! Lisez et suivez TOUTES les instructions pour l'installation et l'entretien, notamment celles portant sur le nettoyage de l'appareil à effectuer selon les directives et celles portant sur le remplacement des joints (annuellement) et des pièces (au besoin). England's Stove Works n'est pas responsable des dommages ni des blessures, quels qu'ils soient, subis en raison de négligence ou à cause d'une installation ou utilisation dangereuse de ce produit. Pour toute question, communiquez avec le service de soutien technique.

UTILISATION QUOTIDIENNE

Réalimentation en combustible

Toujours appuyer sur la touche « OFF » avant de remettre du combustible. Cet appareil dispose d'une trémie de 18 kg (40 lb) qui doit être remplie lorsque son niveau baisse à 75 ou 100 mm (3 ou 4 po).

Note : Le couvercle de la trémie sera chaud; vous devez donc toujours protéger vos mains. NE JAMAIS placer votre main près de la vis sans fin lorsque le poêle fonctionne

Note : Toujours veiller à ce que le joint d'étanchéité du couvercle de la trémie soit exempt de matière de granules avant de fermer. Veiller à fermer et à verrouiller **securitairement** la trémie avant d'allumer à nouveau. Ne pas faire fonctionner cet appareil avec le couvercle de la trémie ouvert ou mal fermé.

Panne de courant

En cas d'interruption de courant à l'appareil pendant environ trois minutes ou moins, il reprendra son fonctionnement lors du retour du courant selon le tableau suivant :

État de l'appareil avant la perte de courant	État de l'appareil au retour du courant
ON	Démarrage
Démarrage	Démarrage
Cycle d'arrêt	Cycle d'arrêt
OFF	OFF

En cas d'interruption de courant pendant plus de trois minutes (environ), l'appareil sera à l'arrêt (« OFF ») au retour du courant.

IMPORTANT : **NE PAS ouvrir le couvercle de la trémie ou la porte de l'appareil pendant une panne de courant. Ouvrir la porte extérieure la plus proche et une fenêtre pour éliminer le tirage naturel de la maison.** Attendre le retour du courant et appuyer en suite sur le bouton « ON » pour redémarrer l'appareil au besoin.

Nous recommandons fortement un parasurtenseur pour votre poêle, car les surtensions et les pannes peuvent affecter le fonctionnement de tout appareil électrique.

Nous ne recommandons pas de quitter la maison avec le poêle réglé à des températures élevées; Il est recommandé que le poêle soit réglé aux températures plus basses (Réglage 1 ou 2 du degré de chaleur).

NOTE : Ne pas oublier : **1)** Il est **très** important que l'appareil soit correctement ventilé (consulter les directives sur l'air extérieur), car il faut un tirage naturel pour évacuer la fumée du poêle. **2)** Ne pas ouvrir le couvercle de la trémie (ou la porte de l'appareil). Le feu pourrait prendre dans la trémie.

Panne de combustible

Si l'appareil manque de granules, recharger simplement la trémie et appuyer sur le bouton « ON » (une fois seulement) pour le redémarrer Si l'appareil fonctionne sans granules, il arrêtera au bout d'une heure.

NOTE : Même si des flammes sont visibles à l'intérieur de la chambre de combustion, il faut toujours appuyer sur le bouton « ON » pour s'assurer que l'appareil redémarre.

Panne de ventilateur de combustion

Si le ventilateur d'air de combustion (évacuation) devait tomber en panne, un interrupteur d'arrêt d'aspiration arrêtera automatiquement le poêle. Cela arrêtera complètement l'appareil, et un code « E-1 » apparaîtra dans les fenêtres du degré de chaleur et de la vitesse du ventilateur du tableau de commande. À ce moment-là vous aurez besoin de communiquer avec le support technique au (800) 245-6489.

NOTE : Il est **très** important que l'appareil soit correctement ventilé (consulter les directives sur l'air extérieur), car il faut un tirage naturel pour évacuer la fumée du poêle.

NOTE : Les directives ci-dessous relatives au nettoyage de l'aire de la chambre de combustion et de la plaque d'usure sont **particulièrement importantes** pour les fonctions de votre poêle. Le défaut de les suivre régulièrement peut entraîner un retour de combustion, endommager votre appareil et annuler votre garantie

NETTOYAGE ET ÉLIMINATION DES CENDRES

IMPORTANT : Bien que la quantité de cendres générée par cet appareil ne soit pas excessive comparée aux poêles à bois brûlant des bûches, il est primordial de le garder propre et exempt de cendres pour optimiser sa performance. Trop de cendres accumulées ralentit le débit d'air, réduit l'efficacité de l'appareil et peut causer un retour de fumée. Suivre ces instructions au moins aussi fréquemment que calendrier ci-dessous, ou plus souvent au besoin.

*** Ne pas nettoyer correctement votre poêle peut altérer les performances et peut-être un retour brûlure! ***

Entretien quotidien des cendres

Appuyer sur la touche « OFF » et laisser le poêle brûler pendant (5) minutes avant d'ouvrir la porte. Vous pouvez utiliser un tournevis ou un couteau à mastic à long manche pour gratter toute accumulation ou croûte dans l'aire de la chambre de combustion. Vous pouvez pousser ceci à droite ou à gauche dans l'aire d'entreposage des cendres

Nettoyage semi hebdomadaire des cendres

Deux fois par semaine : Arrêter l'appareil en appuyant sur la touche « OFF » et en le laissant compléter le cycle d'arrêt. Laisser l'appareil refroidir complètement, puis retirer les cendres avec une pelle. Il faut conserver les cendres dans un contenant non combustible avec un couvercle hermétique et toujours sur une surface non combustible ou sur le sol jusqu'à ce qu'elles soient complètement froides et exemptes de scories chaudes.

Une fois la cendre enlevée, il faut inspecter soigneusement la chambre de combustion. Retirer et nettoyer la plaque d'usure de la chambre de combustion (Consulter la vue éclatée au dos de ce manuel – Illustration 6, et la vue en gros plan montré ici); retirer toute accumulation de cendres dans l'aire située sous la plaque d'usure. Veiller également à ce qu'il n'y ait pas de cendres ou d'obstructions dans le tube sous la plaque d'usure. Vérifier la présence d'une accumulation à l'avant de l'aire de combustion. Nettoyer les trous d'air (au besoin utiliser un foret d'1/8 po) --Il faut garder ces trous d'air propres, car ils alimentent en air comburant sous et à travers le combustible en granules. Il faut aussi nettoyer soigneusement l'ensemble de la chambre de combustion y compris la boîte à feu. En replaçant la plaque d'usure, veiller à ce qu'elle repose à plat dans la boîte à feu sans espaces (dus à des résidus de cendres) en dessous.

IMPORTANT : Une accumulation de cendres sous la plaque d'usure peut causer le mauvais fonctionnement de l'appareil.

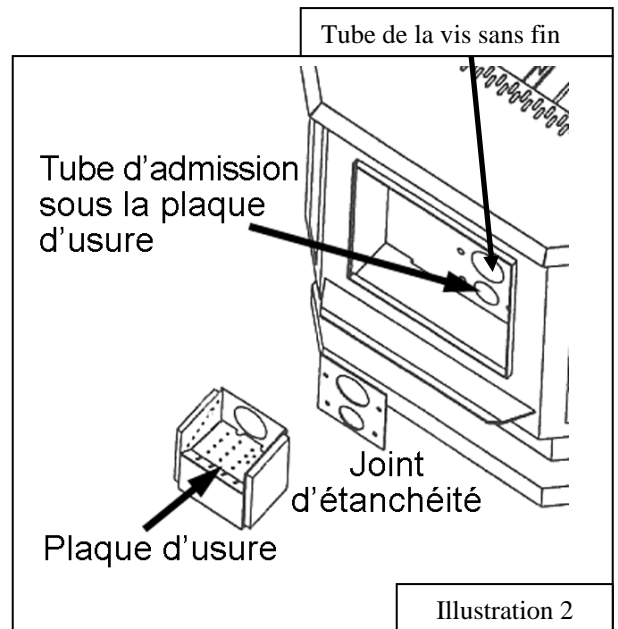


Illustration 2

Élimination des cendres

Il faut placer les cendres dans un contenant de métal avec un couvercle bien fermé. Il faut poser le contenant fermé sur un plancher incombustible ou sur le sol loin des matières combustibles en attendant l'élimination finale. Si on dispose des cendres en les enterrant ou en les dispersant, il faut les conserver dans un contenant fermé jusqu'à ce que toutes les scories soient refroidies.

Comme pour toute tâche d'entretien concernant ce produit, assurez-vous de mettre l'appareil hors tension (« OFF »). L'appareil doit être complètement arrêté et refroidi **AVANT** de procéder à l'entretien. N'oubliez pas que les pièces métalliques du foyer peuvent rester **CHAUDES** longtemps après que les flammes se seront éteintes et **MÊME** longtemps après l'arrêt complet de l'appareil. Soyez toujours très prudent lorsque vous manipulez des pièces du poêle qui peuvent être chaudes, même si vous pensez qu'elles sont refroidies.

Nettoyage mensuel des cendres

Il faut retirer chaque mois le grand déflecteur (305 mm x 330 mm [12 po x 13 po]) qui est suspendu au dessus et derrière la chambre de combustion (Consulter la vue éclatée au dos de ce manuel – **Illustration 6**). Vous pouvez le faire ne soulevant la plaque et en la retirant. Il faut alors nettoyer soigneusement l'aire derrière la plaque et remettre celle-ci dans sa position originale.

Utiliser un tournevis ou un ciseau pour briser toute accumulation de crésote à l'avant de l'appareil, là où le tube de la vis sans fin inférieure déverse les granules dans la chambre de combustion (voir **Illustration 2**). De l'humidité dans les granules et l'accumulation qui en résulte dans cette aire peut causer le crissement ou le grincement de la vis sans fin inférieure.

Toujours inspecter les tuyaux de conduit de fumée et retirer l'accumulation du té avec regard de nettoyage.

Élimination du carbone: Pendant une utilisation normale, la combustion des granules a tendance à accumuler du carbone au bout de la vis sans fin, sur la plaque d'usure et les côtés de la boîte à feu et à l'entrée du tube d'alimentation. Il est essentiel de retirer ce résidu pour que l'appareil fonctionne sans problème. La fréquence avec laquelle il faut enlever ce carbone varie selon les marques de granules et dépend de l'humidité, du type de bois, des matières étrangères (saletés, etc.) dans les granules et d'autres facteurs.

Pour enlever ce carbone, le gratter simplement à l'aide du bout plat d'un tournevis ou d'un instrument semblable; aussi, pour l'enlever du tube d'alimentation, gratter tout ce que vous pouvez atteindre, puis introduire une planche avec émeri (lime à ongle faite d'un bâton de sucette avec du papier abrasif) entre la vis sans fin et le tube d'alimentation et nettoyer tout résidu que le grattage a laissé. Nettoyer ce résidu de carbone du tube d'alimentation est nécessaire à un bon fonctionnement de la vis d'alimentation, conçue pour flotter librement dans le tube et permettant un flux régulier de combustible, moins de possibilité de bourrage et que l'appareil soit plus silencieux.

Nettoyage annuel

Il faut faire un nettoyage complet du poêle et du système de conduit de fumée à la fin de chaque saison de chauffage. Retirer l'ensemble de la chambre de combustion, le nettoyer soigneusement et le réinstaller (voir **Illustration 6**); il faudra un nouveau joint d'étanchéité pour la chambre de combustion. Veiller à bien serrer les vis de blocage quand vous les remplacez, mais ne pas trop les serrer. En plus du nettoyage semi-hebdomadaire et mensuel, il faut enlever le ventilateur d'air de combustion (évacuation) tous les ans et passer l'aspirateur dans le tube du ventilateur pour en retirer toute accumulation de cendres. *Note* : Un joint d'étanchéité (Pièce **PU-CMG**) vous permet de retirer le moteur de combustion du boîtier du ventilateur d'air de combustion, de nettoyer votre poêle et de reposer le moteur et le joint sans avoir à retirer le ventilateur au complet. Cependant, si vous devez enlever ou remplacer le ventilateur d'air de combustion au complet, il faudra ajouter un nouveau joint d'étanchéité de bride (Pièce # **PU-CBG**) entre la bride du ventilateur et le tube d'évacuation en acier.

Comme aucun produit dérivé de la combustion ne passe par le ventilateur de convection, son nettoyage est moins poussé que celui du ventilateur d'évacuation. Cependant, la poussière de la maison et autres débris dans l'air peuvent s'accumuler sur ses pales. Le ventilateur de convection est situé sur le côté du poêle à l'opposé du ventilateur d'évacuation et dispose d'un panneau d'accès pour son nettoyage. La poussière accumulée sur les pales peut être facilement nettoyée à l'aide d'un aspirateur et d'un pinceau souple.

Suie et cendre volante : Formation et besoin de nettoyage – Les produits de combustion vont contenir des petites particules de cendre volante. La cendre volante va s'accumuler dans le système d'évacuation de fumée et restreindre le flux des gaz de combustion. La combustion incomplète, comme celle qui arrive lors d'un démarrage d'un arrêt ou d'un fonctionnement incorrect du poêle entraînera une formation de suie qui s'accumulera dans le système d'évacuation de fumée. Il faut inspecter le système d'évacuation de fumée au moins une fois par an pour savoir si un nettoyage est nécessaire.

ENTRETIEN :

ATTENTION : DÉBRANCHER L'APPAREIL AVANT TOUT TRAVAIL D'ENTRETIEN!

CONSULTER LA VUE ÉCLATÉE (ILLUSTRATION 6) POUR LA RÉFÉRENCE AUX PIÈCES

Commandes de pièces : (800) 516-3636 www.heatredefined.com Questions: (800) 245-6489

NOTE : Consulter notre site Web pour télécharger des feuilles d'entretien et ou une vidéo qui détaille et illustre les tâches d'entretien suivantes.

Dépose du panneau arrière

MISE EN GARDE : Pour effectuer un entretien à l'intérieur derrière l'appareil, Le poêle doit être éteint (pas de feu), refroidi et débranché. Il peut y avoir un choc électrique si l'appareil n'est pas hors tension.

Pour déposer le panneau arrière, desserrer seulement les huit (8) vis (5/16 po) et fléchir le panneau. Il s'enlèvera sans retirer complètement les vis.

Vous pouvez trouver des directives pour l'entretien et les procédures de remplacement des pièces à :

www.heatredefined.com.

Moteurs des vis sans fin

Le moteur et la boîte de vitesse des vis sans fin forment un seul ensemble complet (Pièce # **PU-047040**); vous pouvez le retirer en déconnectant les fils d'alimentation et en desserrant le boulon de blocage (tête de 5/16 po) à l'avant de l'ensemble. Ce boulon bute contre le côté plat de l'arbre de transmission et le verrouille avec l'arbre de la vis sans fin – une fois le boulon desserré, l'ensemble complet glissera bague de blocage. Il existe deux ensembles moteurs sur cet appareil, et les deux reposent sur une étagère lorsqu'ils ne fonctionnent pas. Lorsque vous remplacez un moteur, l'ensemble doit toujours être placé afin de reposer sur cette étagère avant de démarrer l'appareil.

Coussinets et arbres de vis sans fin

Les coussinets de vis sans fin (Pièce # **PU-UCF204-12**) sont des unités scellées et n'ont pas besoin d'être lubrifiés. Pour remplacer la vis supérieure, il faut retirer tout le combustible de la trémie ainsi que de la vis. Par la suite, les quatre boulons qui retiennent le coussinet peuvent être enlevés, suivis par l'ensemble de la vis au complet. Desserrer les deux (2) vis de blocage avec une clé Allen de 1/8", ce qui déconnectera le coussinet de l'arbre (l'ensemble coussinet et l'ensemble vis sans fin peuvent être replacés en procédant à l'envers). Lors de la pose des ensembles de vis sans fin dans l'appareil, toujours serrer les quatre boulons en diagonale pour garantir le bon alignement des coussinets et des arbres.

NOTE : Suivre la même procédure pour la vis inférieure, excepté qu'il n'est pas nécessaire de vider les granules de la trémie.

Ventilateur de convection

Le ventilateur (air ambiant) de convection (Pièce # **PU-4C442**) est situé à gauche de l'appareil et peut être enlevé en déconnectant les fils d'alimentation électrique et en retirant les quatre vis de montage. Un fois cela fait, le ventilateur glissera hors du poêle. Inverser la procédure pour installer un autre ventilateur

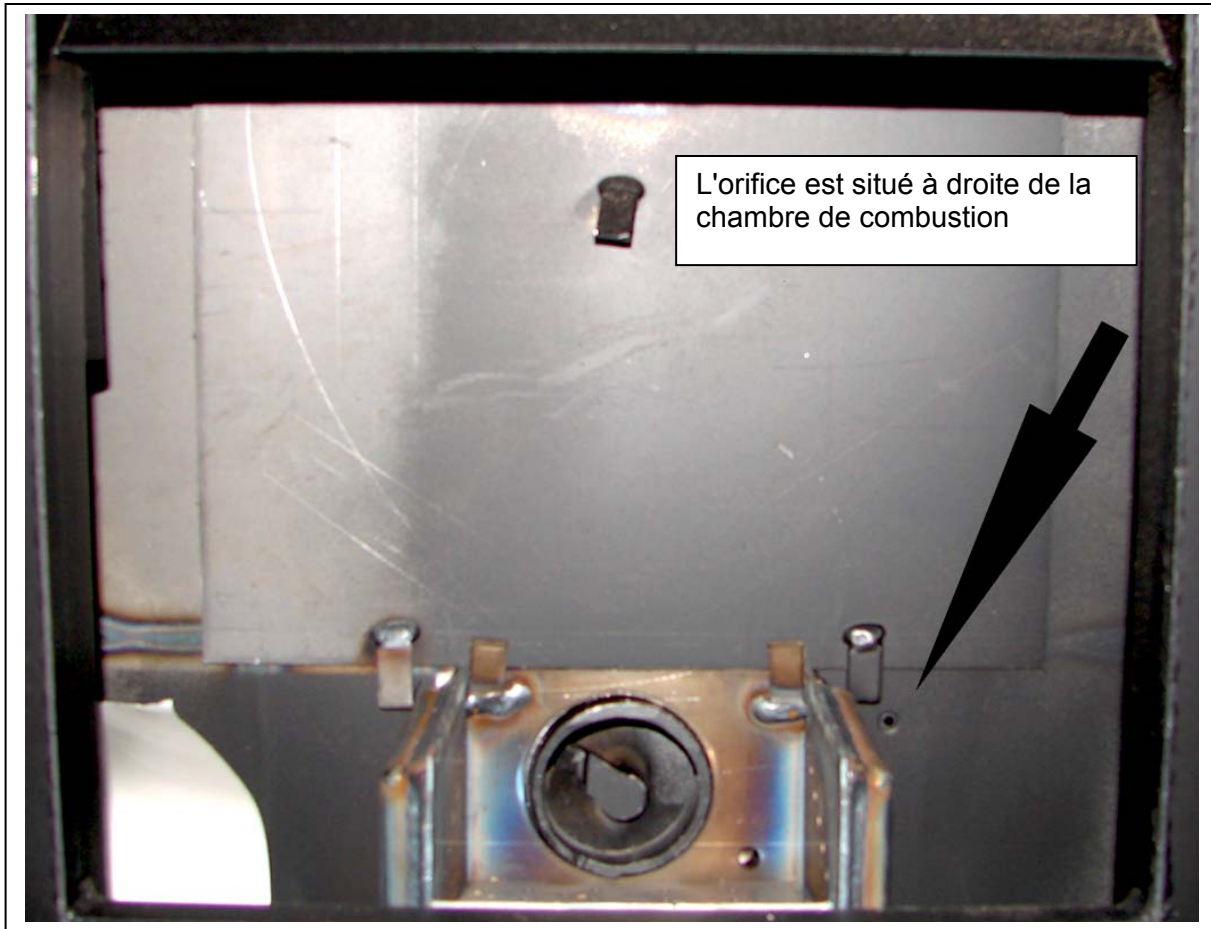
Ventilateur de combustion

Pour remplacer le ventilateur (évacuation) de combustion (Pièce # **PU-076002B**), Il faut déconnecter les fils d'alimentation électrique et le tuyau du conduit. Ensuite, retirer les vis qui retiennent le ventilateur au tube d'évacuation en acier et le faire glisser du poêle. *Note :* Un joint d'étanchéité du moteur de combustion (Pièce# **PU-CMG**) vous permet de retirer le moteur de combustion du boîtier du ventilateur de combustion, de nettoyer votre poêle et de reposer le moteur et le joint sans avoir à retirer le ventilateur au complet. Lors du nettoyage du ventilateur, il faut brosser les turbine, tube et tube d'évacuation en acier du ventilateur et y passer l'aspirateur. Cependant, si vous devez enlever ou remplacer le ventilateur de combustion au complet, il faudra ajouter un nouveau joint d'étanchéité de bride (Pièce # **PU-CBG**) entre la bride du ventilateur et le tube d'évacuation en acier.

IMPORTANT! Lisez et suivez TOUTES les instructions pour l'installation et l'entretien, notamment celles portant sur le nettoyage de l'appareil à effectuer selon les directives et celles portant sur le remplacement des joints (annuellement) et des pièces (au besoin). England's Stove Works n'est pas responsable des dommages ni des blessures, quels qu'ils soient, subis en raison de négligence ou à cause d'une installation ou utilisation dangereuse de ce produit. Pour toute question, communiquez avec le service de soutien technique.

Commutateur d'aspiration

Cet appareil dispose de commutateurs d'arrêt d'aspiration (Pièce # **PU-VS** et **CU-VS**), qui aide à commander les nombreuses fonctions de l'appareil. S'il y a une erreur d'opération dans l'appareil, un commutateur arrêtera la vis sans fin supérieure (alimentation) ou arrêtera l'appareil; dans le cas de l'arrêt de l'appareil, un code E-1 (code d'erreur) apparaîtra dans les fenêtres du degré de chaleur et de la vitesse du ventilateur du tableau de commande. Les situations pouvant causer ceci comprennent la panne de courant, celle du ventilateur de combustion, une mauvaise installation du conduit de fumée, un conduit obstrué (rongeurs, nids, etc.), ou "combustion sale" en brûlant un combustible inadéquat (Consulter « Information importante » au début du manuel).



NOTE : Il faut garder propre l'orifice de l'interrupteur sous vide de « porte entrouverte », ou la vis sans fin supérieure cessera de fonctionner. Repérez l'orifice à la droite de la chambre de combustion et le poêle étant débranché et refroidi, utilisez une brosse ou un goupillon (pas un aspirateur) pour garder cet orifice exempt de cendres ou autres débris (voir l'illustration).

IMPORTANT! Lisez et suivez TOUTES les instructions pour l'installation et l'entretien, notamment celles portant sur le nettoyage de l'appareil à effectuer selon les directives et celles portant sur le remplacement des joints (annuellement) et des pièces (au besoin). England's Stove Works n'est pas responsable des dommages ni des blessures, quels qu'ils soient, subis en raison de négligence ou à cause d'une installation ou utilisation dangereuse de ce produit. Pour toute question, communiquez avec le service de soutien technique.

Interrupteur de sécurité du couvercle de la trémie

Cet appareil est également doté d'un interrupteur de sécurité du couvercle de la trémie (pièce n° **AC-HLSB**) qui est directement raccordé au moteur de la vis à granules supérieure. Dans l'éventualité où le couvercle de la trémie est laissé ouvert pendant que le poêle est en marche, l'interrupteur du couvercle de la trémie empêchera la vis à granules supérieure de tourner. Cela permet d'éviter que les sous-produits de combustion pénètrent dans la maison à l'aide de l'ouverture laissée par le couvercle de la trémie et aussi d'empêcher l'appareil de fonctionner pendant que le couvercle est ouvert.

Une utilisation inadéquate de l'interrupteur de sécurité du couvercle de la trémie empêchera la vis à granules supérieure de tourner; par conséquent, le poêle ne fonctionnera pas. Ne placez JAMAIS votre main ni tout autre objet, près de la vis à granules pendant que le poêle est branché.

Joint d'étanchéité

IMPORTANT : L'ENTRETIEN INADÉQUAT DES JOINTS, Y COMPRIS LE DÉFAUT DE REMPLACEMENT DES JOINTS, PEUT SE TRADUIRE PAR DES FUITES D'AIR CAUSANT DES RETOURS DE FUMÉE. VÉRIFIEZ SOUVENT QUE LES JOINTS SONT HERMÉTIQUEMENT SCELLÉS ET REMPLACEZ-LES AU BESOIN. IL EST ESSENTIEL DE REMPLACER LES JOINTS ANNUELLEMENT.

Cet appareil est livré avec un joint d'étanchéité de 19,05 mm autour de la porte qui doit être remplacé annuellement. Pour remplacer le *joint de la porte* (Pièce # **AC-DGKC**), il faut retirer complètement le vieux joint — avant de mettre la nouvelle colle, vous pourriez devoir gratter le vieux ciment de la gorge de la porte. Une fois le ciment et le joint posé, il faut fermer la porte et la garder verrouillée pendant vingt-quatre heures pour laisser le ciment durcir.

Si vous remplacez le *joint de fenêtre* (Pièce # **AC-GGK**), le nouveau joint aura déjà de la colle sur une face. Retirer le papier du côté adhésif et poser le joint autour du verre en formant un "U" avec vos doigts autour du bord extérieur du verre.

. Il est important de remplacer le joint du couvercle de la trémie s'il présente des traces d'usure. Assurez-vous de remplacer le joint du couvercle de la trémie annuellement ou plus tôt, si nécessaire.

Note : Un joint d'étanchéité du moteur de combustion (Pièce# **PU-CMG**) vous permet de retirer le moteur de combustion du boîtier du ventilateur de combustion, de nettoyer votre poêle et de reposer le moteur et le joint sans avoir à retirer le ventilateur au complet. Cependant, si vous devez enlever ou remplacer le ventilateur d'air de combustion au complet, il faudra ajouter un nouveau joint d'étanchéité de bride (Pièce # **PU-CBG**) entre la bride du ventilateur et le tube d'évacuation en acier.

Fini

Cet appareil neuf a été peint avec une peinture haute température qui conservera son aspect original pendant des années. Si des taches de rouille apparaissent à cause de l'humidité, elles peuvent être poncées avec de la laine d'acier et repeintes. Nous recommandons cette peinture car d'autres pourraient ne pas adhérer à la surface ou supporter les températures élevées.

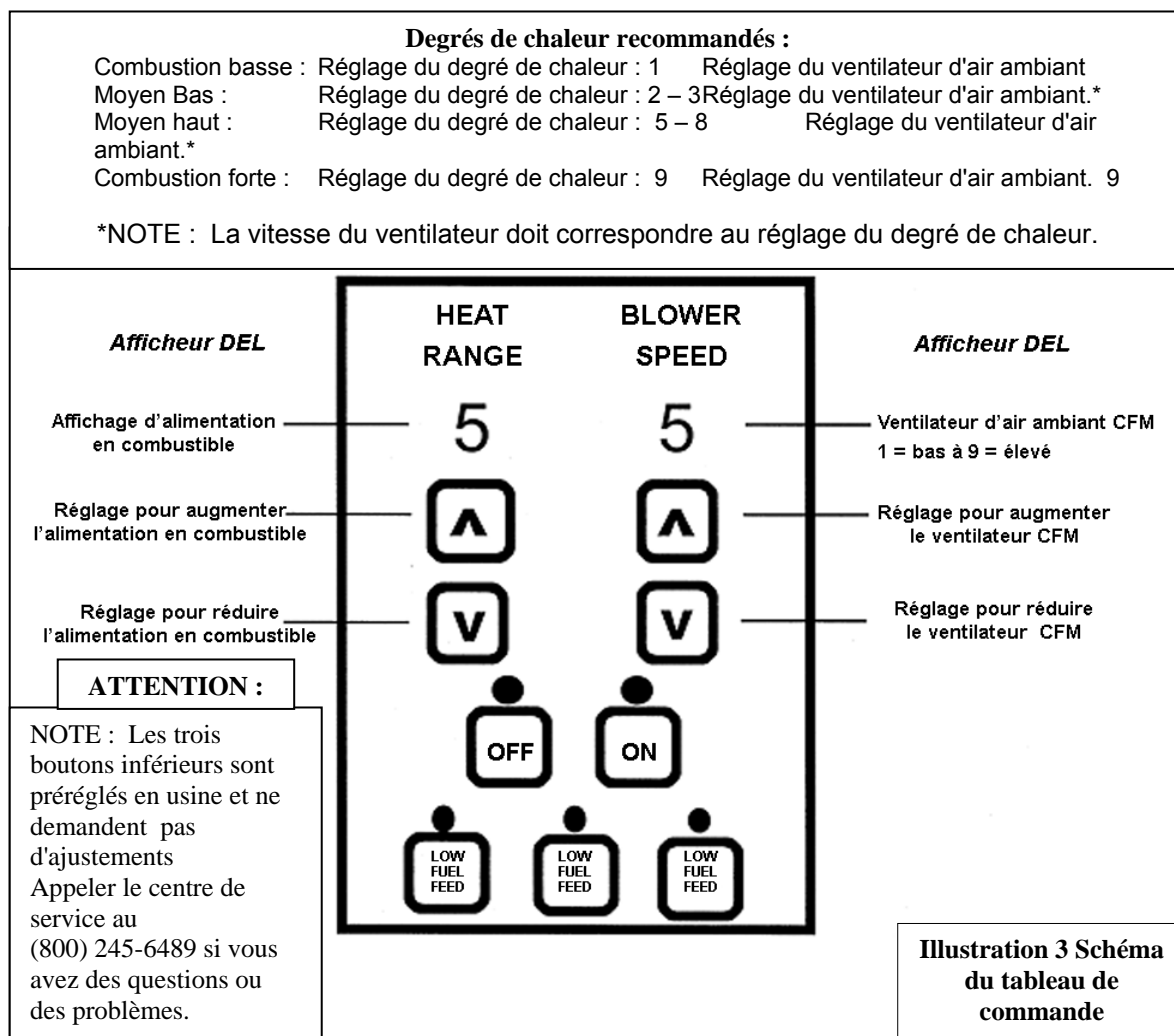
Verre

La fenêtre de la porte de l'appareil est une vitre céramique de 22,8 cm x 22,8 cm (9 po x 9 po) (Pièce # **AC-G9**, vient avec le joint d'étanchéité). Les rayures de surface sont acceptables et normales, mais si le verre est fissuré où que ce soit, il faut arrêter l'appareil et remplacer la fenêtre avec cette vitre céramique haute température.

Tableau de commande

Le panneau de commande (Pièce # **PU-CB04**) est un panneau à lecture numérique. Ce tableau offre de nombreux réglages pour faire fonctionner l'appareil. Cette pièce peut être retirée de l'appareil en desserrant les deux vis extérieures et en la tirant vers l'intérieur du poêle. Le panneau d'accès arrière doit être enlevé avant de retirer le tableau de commande. Ce tableau de commande dispose d'un fusible de 6 A à « déclenchement rapide » (Pièce # **PU-CBF6**).

NOTE : Les trois boutons de commande inférieurs sont pré-réglés en usine et *ne demandent pas* de changements. Consulter le chapitre « Instructions d'utilisation » et « Utilisation quotidienne » du manuel pour des directives sur d'autres réglages du tableau de commande.



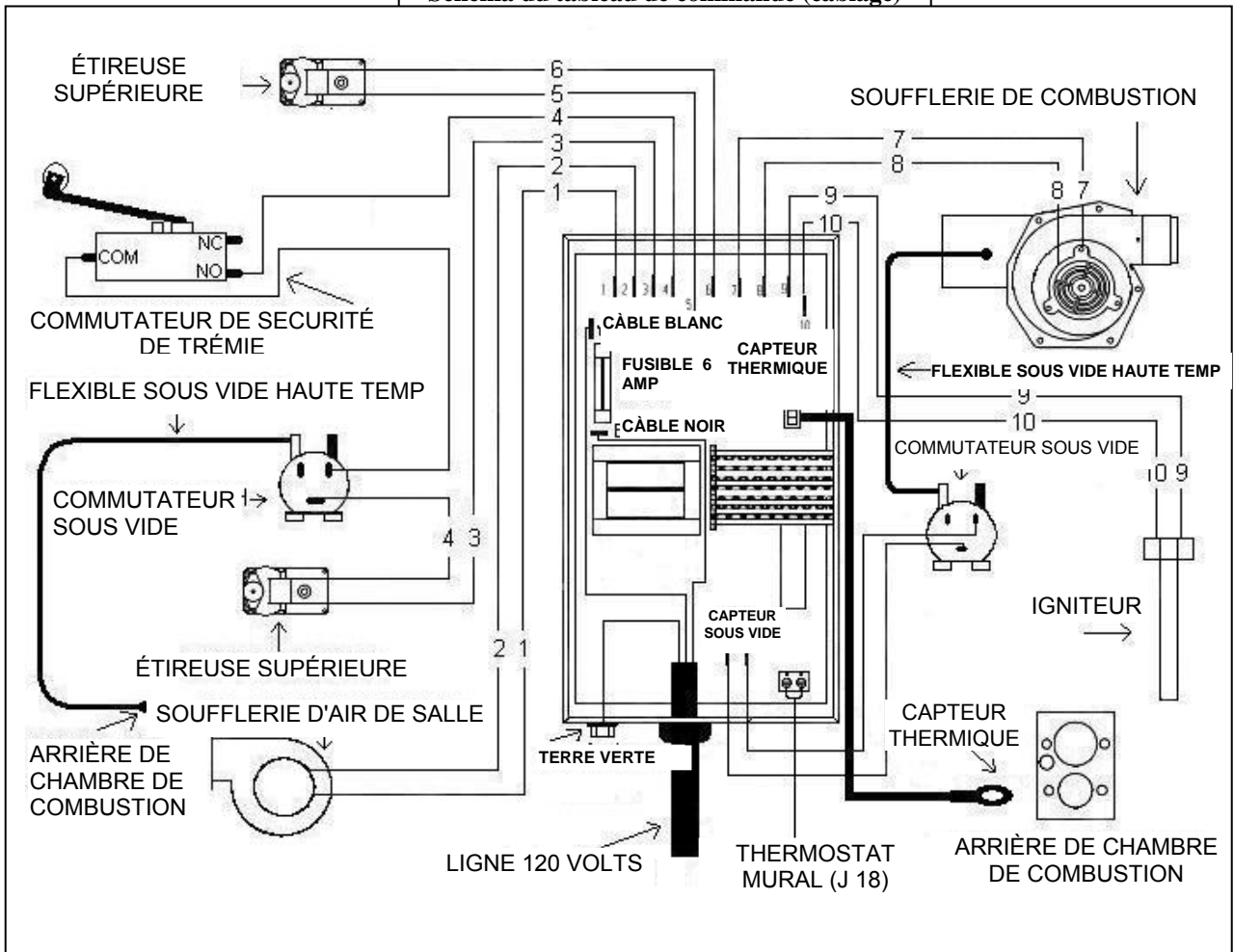
Attention

Si vous voyez de la fumée dans la trémie (retour de fumée), fermer immédiatement et verrouiller son couvercle. Ouvrir la porte extérieure ou la fenêtre la plus proche, puis appuyer sur le bouton OFF et laisser l'appareil refroidir au moins trois heures. Ne pas ouvrir la porte ou le couvercle de la trémie. C'est un problème d'entretien qu'il faut régler.

Appeler le support technique au (800) 245-6489.

IMPORTANT! Lisez et suivez TOUTES les instructions pour l'installation et l'entretien, notamment celles portant sur le nettoyage de l'appareil à effectuer selon les directives et celles portant sur le remplacement des joints (annuellement) et des pièces (au besoin). England's Stove Works n'est pas responsable des dommages ni des blessures, quels qu'ils soient, subis en raison de négligence ou à cause d'une installation ou utilisation dangereuse de ce produit. Pour toute question, communiquez avec le service de soutien technique.

Illustration 4 PU-CB04
Schéma du tableau de commande (câblage)



ATTENTION : Les pièces mobiles peuvent causer des blessures.

NE PAS utiliser avec les panneaux enlevés.

DANGER : Les pièces pourraient être chaudes Risques de choc électrique.
 Déconnecter l'alimentation électrique avant de faire l'entretien de l'appareil.

IMPORTANTE NOTE DE SÉCURITÉ : Si l'appareil ou le tuyau de cheminée « rougeoie » (ou blanchit), le poêle surchauffe. Cet état peut causer un incendie ou un feu de cheminée. Ne pas trop chauffer l'appareil ou il pourrait résulter une surchauffe.

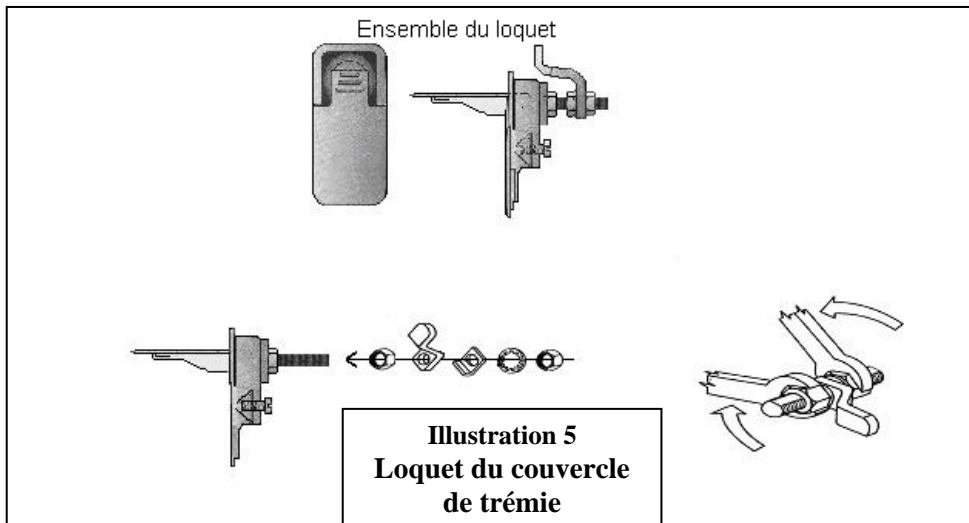
Ajustement des loquets de couvercle de trémie

Les joints autour du couvercle de la trémie pour granules sont importants pour la sécurité d'un fonctionnement efficace de l'appareil. Les loquets posés sur ces appareils sont conçus pour tirer le couvercle de la trémie serré contre ce joint. Au cours de l'utilisation comme ces joints s'usent et se compressent, il faut tester la tension des loquets périodiquement et ajuster au besoin.

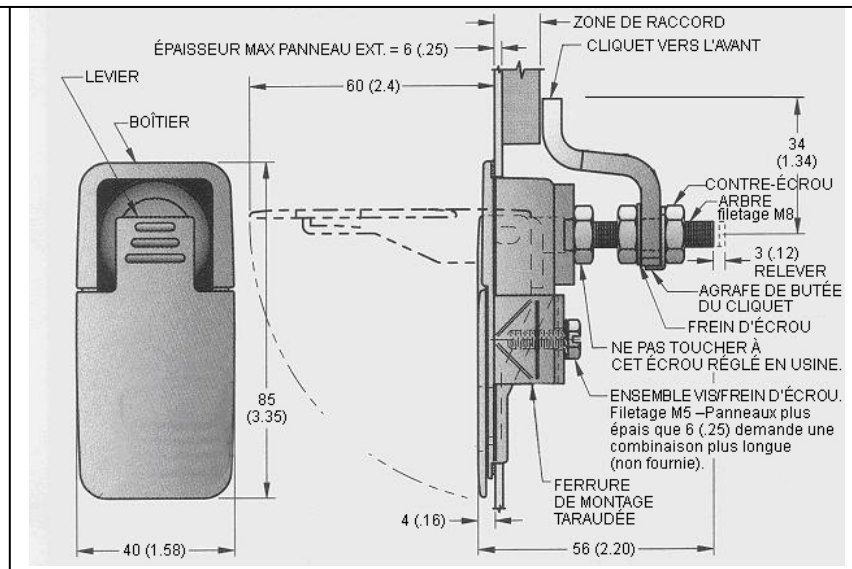
Pour ajuster les loquets du couvercle, vous aurez besoin des outils suivants; deux clés d'1/2 pouce, ou une clé d'1/2 pouce et une douille d'1/2 pouce.

Afin d'ajuster le loquet, ouvrir d'abord le couvercle de la trémie puis verrouiller le loquet en position fermée. Prendre alors la clé d'1/2 pouce et desserrer l'écrou le plus proche du loquet. Ajuster ensuite l'écrou plus près du couvercle pour tendre le loquet. Après avoir placé l'écrou à l'emplacement désiré, le maintenir en place avec la clé d'1/2 pouce, puis le serrer à extrémité de la tige du loquet avec la douille d'1/2 pouce ou la seconde clé pour maintenir l'ensemble de verrouillage en place.

Après avoir resserré les loquets, tester leur tension en verrouillant le couvercle et en soulevant chaque coin avant de celui-ci. Les loquets doivent maintenir le couvercle bien fermé. Répéter la même procédure si le loquet n'est pas assez serré.



IMPORTANT : Il faut vérifier périodiquement les loquets du couvercle de trémie et les garder serrés afin que le couvercle soit scellé pour empêcher un retour de flammes.



IMPORTANT! Lisez et suivez TOUTES les instructions pour l'installation et l'entretien, notamment celles portant sur le nettoyage de l'appareil à effectuer selon les directives et celles portant sur le remplacement des joints (annuellement) et des pièces (au besoin). England's Stove Works n'est pas responsable des dommages ni des blessures, quels qu'ils soient, subis en raison de négligence ou à cause d'une installation ou utilisation dangereuse de ce produit. Pour toute question, communiquez avec le service de soutien technique.

ACCESSOIRES

Vous pouvez ajouter les accessoires suivants à votre appareil en tout temps; cependant, vous devez le laisser refroidir avant de le faire.

Thermostat

Vous pouvez installer un thermostat mural externe (comme notre pièce # PU-DTSTAT) sur nos appareils à granules de bois, pour autant qu'il fonctionne avec les systèmes à basse tension en millivolt. Après avoir débranché l'appareil, repérer le fil de connexion (J-18) en bas du tableau de commande. Il faut desserrer les deux vis et retirer le fil de connexion du tableau. Ensuite, Il faut passer les deux fils d'alimentation du thermostat dans ces ouvertures et serrer les vis; conserver le fil de connexion pour une utilisation ultérieure sans thermostat.

L'appareil fonctionnera différemment avec le thermostat mural connecté – Si vous l'utilisez, nous recommandons de régler le degré de température et la vitesse du ventilateur à « 9 » sur le tableau de commande. Consulter le chapitre « Procédure de démarrage » pour de l'information sur les démarrages à froid.

Moulure de rebord AC-103, AC-103BN

Il y a un dans ce kit une garniture profilé en J qui s'enclenche sur la lèvre du tablier à cendres Ajuster la gorge en J avec le bon bord du tablier à cendres, puis retirer la protection de la garniture et forcer celle-ci sur le bord. Bien qu'elle doive tenir en place, vous pouvez poser du ciment à poêle pour la fixer au besoin.

Garniture de fenêtre AC-106-P, AC-106-PBN

Vous pouvez fixer la garniture de fenêtre à l'aide des agrafes à ressort fournies et un peu de silicone haute température (facultatif). Insérer l'extrémité en té de l'agrafe à ressort dans la gorge au bord de la garniture – puis tourner l'agrafe et placer son autre extrémité dans la gorge. L'agrafe tiendra bien si elle est placée sur le bord supérieur de la garniture avant de poser celle-ci dans la fenêtre du poêle Placer le bord supérieur avec l'agrafe dans l'ouverture de la fenêtre, puis pousser le bord inférieur de la garniture pour qu'elle affleure à la fenêtre. Nous suggérons également d'utiliser du silicone haute température aux coins, pour que la garniture tienne en place.

Vous pouvez commander les accessoires à l'usine au

(Commandes de pièces UNIQUEMENT) -- (800) 516-3636, ou sur notre site Web :
www.heatredefined.com.

Questions/Problèmes. Appeler le support technique au (800) 245-6489.

Vous pouvez aussi commander des pièces et des options, voir la foire aux questions et plus encore,
sur notre site Web : www.heatredefined.com.

PIÈCES DE RECHANGE, ACCESSOIRES ET OPTIONS

AC-GGK	Kit de joint d'étanchéité de verre (joint uniquement)
AC-DGKC	Kit de joint d'étanchéité de porte (#2 sur le schéma)
AC-G9	Verre 22,8 cm x 22,8 cm (9 po x 9 po) avec joint d'étanchéité (#3 sur le schéma)
AC-SH	Poignée de porte à ressort, en laiton
AC-SHN	Poignée de porte à ressort, en nickel
AC-MBSP	Peinture noire haute température
PU-AMS	Joint d'étanchéité du support de moteur de vis sans fin
PU-047040	Ensemble moteur-vis sans fin 1 T/M (#18 sur le schéma)
PU-BP98	Ensemble de la chambre de combustion (# 5 et 11 sur le schéma, appeler si vous avez seulement besoin d'une pièce de cet ensemble de 2)
PU-076002B	Ventilateur de combustion (évacuation) (comprend un adaptateur de 3 po [75 mm]) (# 8 et 9 sur le schéma)
PU-4C442	Ventilateur de convection (Air ambiant) (#13 sur le schéma)
PU-AF6T	Arbre de la vis sans fin supérieure (#14 sur le schéma)
PU-AF11B	Arbre de la vis sans fin inférieure (#14 sur le schéma)
PU-62-40-151-3	Loquet de couvercle de trémie (2002 et modèles récents; pour les modèles plus anciens, commander PU-103-50) (#25 sur le schéma)
PU-UCF204-12	Coussinet de vis sans fin (#16 sur le schéma)
PU-2X570	Bague de blocage 3/4" (#17 sur le schéma)
PU-CB04	tableau de commande numérique (#12 sur le schéma)
PU-VS	Interrupteur d'arrêt d'aspiration (Voir schéma du tableau de commande)
CU-VS	Second interrupteur d'aspiration (Voir schéma du tableau de commande)
PU-CBMG	Joint d'étanchéité du ventilateur de combustion (#10 sur le schéma) & Joint d'étanchéité du moteur de combustion
PU-BPG	Joint d'étanchéité de la chambre de combustion (#6 sur le schéma)
PU-ABG	Joint d'étanchéité du coussinet de vis sans fin (#15 sur le schéma)
PU-HLG	Joint d'étanchéité du couvercle de trémie (#22 sur le schéma)
PU-CHA	Ensemble de la cartouche chauffante (allumeur) (#27 sur le schéma)
PU-CBF6	Fusible du tableau de commande, 6 A
AC-HLSB	Commutateur de sécurité de couvercle trémie (Voir diagramme de câblage p. 19, 09/2008 et après seulement)

OPTIONS:

PU-OAK	Kit pour l'air extérieur
AC-3000	Kit de tuyau Pellet Vent 3" (À travers le mur)
AC-3100	Kit de tuyau Pellet Vent 4" (pour altitudes élevées – 1200 m [4000+ pi])
PU-DTSTAT	Thermostat mural
AC-103	Garniture de rebord de tablier de cendres, laiton
AC-103BN	Garniture de rebord de tablier de cendres, nickel brossé
AC-106-P	Garniture de fenêtre, laiton
AC-106-PBN	Garniture de fenêtre, nickel brossé

Si vous avez des questions ou des problèmes, communiquer avec les service de support technique :

Technical Support Department
P.O. Box 206
Monroe, VA 24574

service@englanderstoves.com

Commandes de pièces UNIQUEMENT : 800-516-3636

Questions : (800) 245-6489 (Télécopieur : 434-929-4810)

Vous pouvez aussi commander des pièces et des options, voir la foire aux questions et plus encore, sur notre site Web : www.heatredefined.com.

IMPORTANT! Lisez et suivez TOUTES les instructions pour l'installation et l'entretien, notamment celles portant sur le nettoyage de l'appareil à effectuer selon les directives et celles portant sur le remplacement des joints (annuellement) et des pièces (au besoin). England's Stove Works n'est pas responsable des dommages ni des blessures, quels qu'ils soient, subis en raison de négligence ou à cause d'une installation ou utilisation dangereuse de ce produit. Pour toute question, communiquez avec le service de soutien technique.

NUMBER PART DESCRIPTION

Poêle à granules de bois – Vue éclatée

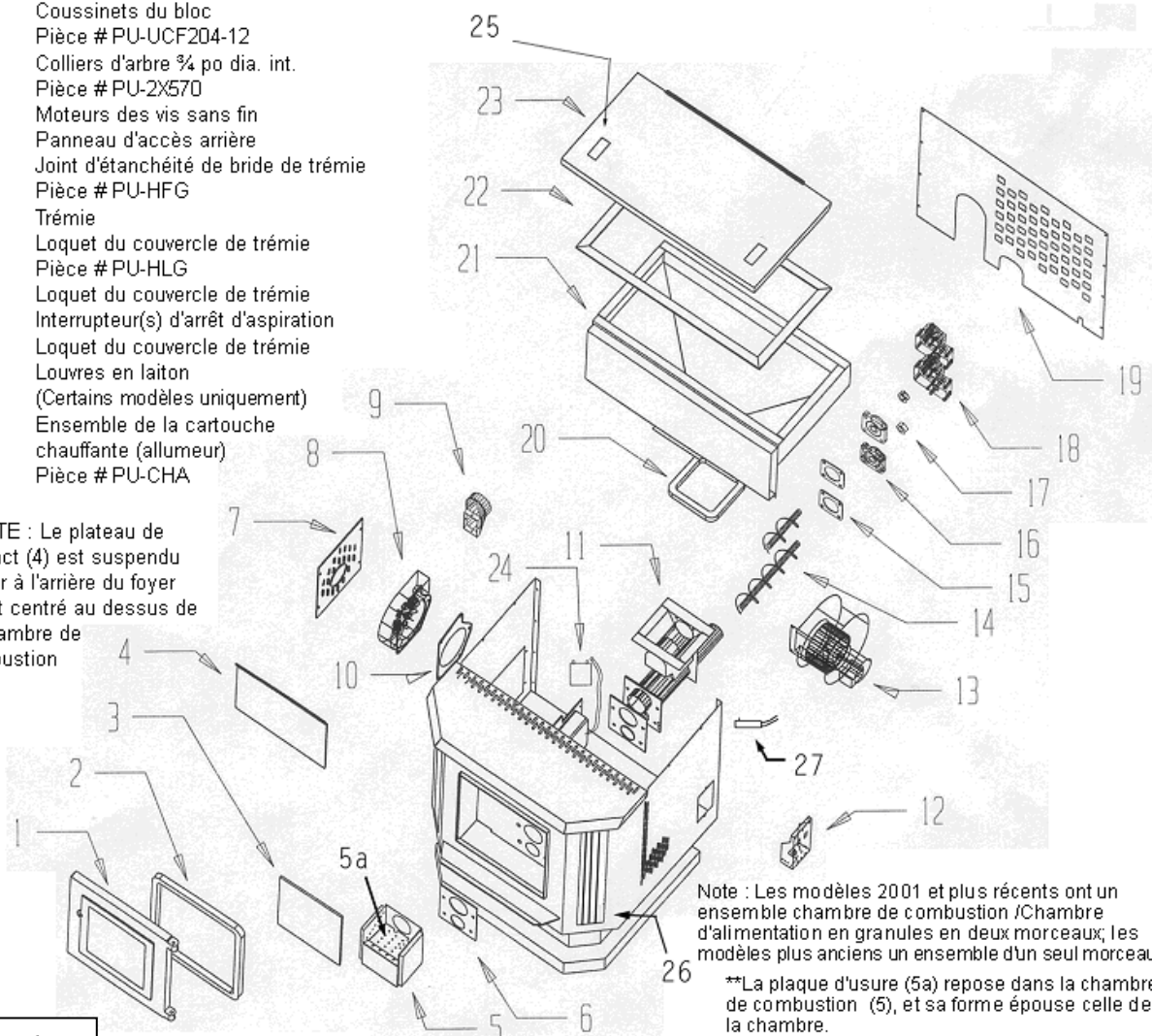
- 1 Porte (Pièce # CA-19A)
- 2 Joint d'étanchéité de la porte (Pièce # AC-DGKC)
- 3 Vitre avec joint d'étanchéité (Pièce # AC-G9)
- 4 Plateau de contact*
- 5 Chambre de combustion
- 5a Plaque d'usure pour la chambre de combustion**
- 6 Joint d'étanchéité de la chambre de combustion
- 7 Panneau d'accès latéral
- 8 Ventilateur de combustion
- 9 Adaptateur de ventilateur 3 po
- 10 Joint d'étanchéité pour le ventilateur de combustion
Pièce # PU-CBG
- 11 Chambre d'alimentation en granules
- 12 Tableau de commande numérique
- 13 Ventilateur de convection
- 14 Vis sans fin : (Vis supérieure et inférieure)
- 15 Joint d'étanchéité des coussinets du bloc
- 16 Coussinets du bloc
Pièce # PU-UCF204-12
- 17 Colliers d'arbre 3/4 po dia. int.
Pièce # PU-2X57D
- 18 Moteurs des vis sans fin
- 19 Panneau d'accès arrière
- 20 Joint d'étanchéité de bride de trémie
Pièce # PU-HFG
- 21 Trémie
- 22 Loquet du couvercle de trémie
Pièce # PU-HLG
- 23 Loquet du couvercle de trémie
- 24 Interrupteur(s) d'arrêt d'aspiration
- 25 Loquet du couvercle de trémie
- 26 Louvres en laiton
(Certains modèles uniquement)
- 27 Ensemble de la cartouche chauffante (allumeur)
Pièce # PU-CHA

NOTE SUR LES NUMÉROS DE PIÈCES :

Ce schéma est un schéma de base d'un poêle à granules de bois England's Stove Works. Votre modèle peut être légèrement différent. Consulter notre boutique en ligne à www.englishstoves.com sur la liste des pièces de votre manuel pour de numéros particuliers de pièce pour votre modèle de poêle.

Si une pièce n'est pas répertoriée dans le manuel ou sur le site Web ou si vous avez des questions, appeler au (800) 245-6489.

* NOTE : Le plateau de contact (4) est suspendu à fleur à l'arrière du foyer et est centré au dessus de la chambre de combustion



Note : Les modèles 2001 et plus récents ont un ensemble chambre de combustion /Chambre d'alimentation en granules en deux morceaux; les modèles plus anciens un ensemble d'un seul morceau.

**La plaque d'usure (5a) repose dans la chambre de combustion (5), et sa forme épouse celle de la chambre.

Illustration 6

Dimensions de votre appareil à granules :
131,6 kg (290 lb)

L 58,4 cm x H 71,1 cm x P 43,3 cm (23

po x 28 po x 21 po)

(Hauteur de plancher au centre de l'évacuation, environ 34,3 cm (13 1/2 po).

IMPORTANT! Lisez et suivez TOUTES les instructions pour l'installation et l'entretien, notamment celles portant sur le nettoyage de l'appareil à effectuer selon les directives et celles portant sur le remplacement des joints (annuellement) et des pièces (au besoin). England's Stove Works n'est pas responsable des dommages ni des blessures, quels qu'ils soient, subis en raison de négligence ou à cause d'une installation ou utilisation dangereuse de ce produit. Pour toute question, communiquez avec le service de soutien technique.

GUIDE DE DÉPANNAGE

MISE EN GARDE : POUR ÉVITER UN CHOC ÉLECTRIQUE TOUJOURS *DÉCONNECTER* L'APPAREIL DE LA SOURCE DE COURANT AVANT DE COMMENCER UNE RÉPARATION. SI CE GUIDE NE VOUS PERMET PAS DE CORRIGER LE PROBLÈME, APPELER VOTRE VENDEUR LOCAL OU NOTRE SUPPORT TECHNIQUE AU 1-800-245-6489.

<u>Problème</u>	<u>Cause</u>	<u>Solution</u>
1. La vis sans fin ne tourne pas	<ol style="list-style-type: none"> 1. Vis de blocage desserrer 2. Engrenage de moteur défectueux 3. Matière étrangère dans la vis 4. Capteur d'aspiration (Vis sans fin supérieure) 5. Accumulation de carbone dans le tube d'alimentation de la vis sans fin 	<ol style="list-style-type: none"> 1. Serrer la vis de blocage sur la bague 2. Remplacer le moteur de la vis 3. Enlever les granules et l'objet 4. Vérifier le ventilateur d'évacuation 5. Éliminer le carbone en le grattant
2. Odeur de fumée ou poussière dans la maison	<ol style="list-style-type: none"> 1. Raccordement d'évacuation défectueux 	<ol style="list-style-type: none"> 1. Vérifier tous les raccords à la recherche de fuites, en particulier celui du ventilateur d'évacuation. Sceller au silicone, avec un collier de serrage ou du ruban aluminium
3. Le ventilateur d'air ambiant ne fonctionne pas.	<ol style="list-style-type: none"> 1. Capteur lâche 2. Température élevée en marche 	<ol style="list-style-type: none"> 1. Resserrer la connexion du capteur 2. Régler la température plus bas
4. Le ventilateur d'évacuation ne fonctionne pas (E-1 au tableau de commande)	<ol style="list-style-type: none"> 1. Connexion lâche 2. Ventilateur défectueux 3. Capteur d'aspiration défectueux 	<ol style="list-style-type: none"> 1. Vérifier la connexion au tableau de commande 2. Remplacer le ventilateur 3. Remplacer le capteur d'aspiration
5. Feu paresseux	<ol style="list-style-type: none"> 1. Réglages du tableau de commande 2. Ventilateur évacuation défectueux 3. Humidité excessive des granules 4. Trop de cendres 5. Granules de qualité inférieure 	<ol style="list-style-type: none"> 1. Revoir les réglages du tableau 2. Remplacer le ventilateur 3. Entreposer les granules à l'intérieur 4. Enlever les déflecteurs; nettoyer l'appareil 5. Utiliser des granules de qualité supérieure
6. Fusible brûle (6 A)	<ol style="list-style-type: none"> 1. Surtension 2. Fil exposé 3. Court circuit ou immobilisation de moteur électrique 	<ol style="list-style-type: none"> 1. Remplacer le fusible; utiliser un parasurtenseur 2. Vérifier à la recherche d'un fil exposé ou effiloché et de connexions lâches 3. Vérifier les moteurs et les ventilateurs à la recherche d'obstructions ou de verrouillage
7. Consommation élevée de granules	<ol style="list-style-type: none"> 1. Granules de qualité inférieure 2. Tableau de commande mal réglé 	<ol style="list-style-type: none"> 1. Utiliser du combustible de qualité supérieure 2. Vérifier les réglages du tableau
8. Grincement	<ol style="list-style-type: none"> 1. Accumulation dans le tube 2. Mauvais alignement de la vis 	<ol style="list-style-type: none"> 1. Enlever la vis sans fin et la nettoyer 2. Réaligner la vis
9. Cognement ou cliquetis	<ol style="list-style-type: none"> 1. Matière étrangère 2. Vis de blocage desserrer 	<ol style="list-style-type: none"> 1. Examiner le ventilateur à la recherche de matière 2. Vérifier la vis de la turbine du ventilateur
10. L'appareil s'arrête 20 à 30 minutes (E-2 au tableau de commande)	<ol style="list-style-type: none"> 1. Capteur de chaleur lâche 2. Réglages du tableau de commande 3. Ne démarre pas (E-2) 	<ol style="list-style-type: none"> 1. Vérifier la connexion au poêle 2. Vérifier les réglages; toujours démarrer l'appareil au réglage "5" à "9" 3. Vérifier l'allumeur à la recherche d'accumulation
11. L'appareil continue de s'arrêter (codes « E » au tableau de commande)	<ol style="list-style-type: none"> 1. Conduit de fumée obstrué (E-1) 2. Panne de ventilateur (E-3) 3. Installation défectueuse* (E-1) 	<ol style="list-style-type: none"> 1. Examiner le conduit à la recherche de l'obstruction (nids, rongeurs, excès de suie, etc.) 2. Vérifier les fils du ventilateur de combustion, puis appeler le support technique. 3. Vérifier les raccords lâches de conduit de fumée/tuyaux. Veiller aussi à toujours avoir un raccordement à l'air extérieur.

*Une installation défectueuse peut causer un retour de tirage.

* NOTE : Examiner également si le tuyau d'aspiration est lâche ou fissuré aux commutateurs d'aspiration (voir # 24 dans l'illustration 6).

IMPORTANT! Lisez et suivez TOUTES les instructions pour l'installation et l'entretien, notamment celles portant sur le nettoyage de l'appareil à effectuer selon les directives et celles portant sur le remplacement des joints (annuellement) et des pièces (au besoin). England's Stove Works n'est pas responsable des dommages ni des blessures, quels qu'ils soient, subis en raison de négligence ou à cause d'une installation ou utilisation dangereuse de ce produit. Pour toute question, communiquez avec le service de soutien technique.

**APPAREIL DE CHAUFFAGE AUTONÔME
HOMOLOGUÉ COMBUSTIBLE EN GRANULES
MODÈLE: 25-PDVC/55-SHP10**



NO. DE SÉRIE VOIR ÉTIQUETTE EN ANGLAIS

DATE FAB. VOIR ÉTIQUETTE EN ANGLAIS

TESTÉ À: ASTM E 1509-93: ORÉGON 814-23-900 À 814-23-909 ET ULC S627-M90, UL 1482.

CET APPAREIL À GRANULES A ÉTÉ TESTÉ ET CLASSÉ POUR UNE UTILISATION DANS DES MAISONS PRÉFABRIQUÉES.

«AVEC DU COMBUSTIBLE EN GRANULES»

DÉBIT CALORIFIQUE 38 000 BTU CARACT. NOM. ÉLECT.: 120 V, 60 HZ, 3 A

NE PAS ENLEVER OU MASQUER CETTE ÉTIQUETTE

- GARDER LA PORTE ET LE COUVERCLE DE LA TRÉMIE BIEN FERMÉS PENDANT LE FONCTIONNEMENT.
- IL FAUT POSER L'UNITÉ SUR UN PROTECTEUR NON COMBUSTIBLE DE PLANCHER SE PROLONGEANT 15 cm À L'AVANT, 10 cm SUR LE CÔTÉ ET 2, cm À L'ARRIÈRE.
- COMMUNIQUER AVEC LE SERVICE LOCAL DE LA CONSTRUCTION OU LE SERVICE D'INCENDIE RELATIVEMENT AUX RESTRICTIONS ET À L'INSPECTION DE L'INSTALLATION DANS VOTRE QUARTIER.
- INSTALLER ET UTILISER UNIQUEMENT SELON LES DIRECTIVES D'INSTALLATION ET D'UTILISATION DU FABRICANT
- RACCORDS DE CHEMINÉE: MINIMUM 3 po (75 mm) TUYAU D'ÉVENT POUR GRANULES INSTALLER À PLUS DE 7,5 mm (3 po) DU MUR OU DU PLAFOND
- CONSULTER LE CODE DE CONSTRUCTION LOCAL ET LES DIRECTIVES DU FABRICANT POUR PASSER UNE CHEMINÉE OU UN RACCORD À TRAVERS UN MUR COMBUSTIBLE.
- SATISFAIT AUX EXIGENCES DE L'EPA CONCERNANT LES PARTICULES POUR LES POÊLES À BOIS FABRIQUÉS APRÈS LE 1ER JUILLET, 1990.

**NE PAS RACCORDER CET APPAREIL À UNE CHEMINÉE
OU UN CONDUIT QUI SERT À UN AUTRE APPAREIL.**

DIRECTIVES POUR L'ALLUMAGE: PLACER UNE POIGNÉE DE GRANULES DANS LE POT DE COMBUSTION AVEC UN ALLUME-FEU ET ALLUMER. ATTENTION: BIEN FERMER LA PORTE ET LE COUVERCLE DE LA TRÉMIE. RÉGLER LA CHALEUR À MOYEN UN FOIS LE FEU BIEN PRIS. N'UTILISER CETTE UNITÉ QU'AVEC LE COUVERCLE DE LA TRÉMIE FERMÉ. NE PAS LE FAIRE POURRAIT ENTRAÎNER L'ÉMISSION DE PRODUITS DE COMBUSTION DE LA TRÉMIE SOUS CERTAINES CONDITIONS. GARDER LE JOINT D'ÉTANCHÉLITÉ DE LA TRÉMIE EN BON ÉTAT. NE PAS TROP CHARGER LA TRÉMIE.



ATTENTION

NE PAS TOUCHER. CHAUD LORSQU'IL FONCTIONNE. TENIR LES ENFANTS ET TOUS LES COMBUSTIBLES À L'ÉCART DE L'APPAREIL. PEUT CAUSER DES BRÛLURES DE LA PEAU. CONSULTER LE MANUEL D'INSTALLATION

**FABRIQUE PAR:
ENGLAND'S STOVE
WORKS, INC.
P.O. BOX 206
MONROE, VA 24574**

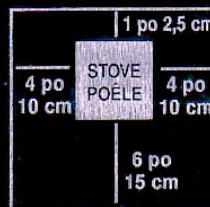
**INSTALLER AVEC
ESPACEMENTS MINIMAUX
AUX MURS
COMME MONTRÉ.**



**INSTALLATION
MUR LATÉRAL-MUR**



INSTALLATION EN COIN



**PROTECTION DU
PLANCHER**

Vous pouvez inscrire la date de fabrication et le numéro de série de votre appareil dans les espaces prévus à cet effet sur cette étiquette, pour référence ultérieure. Cette étiquette comprend également des renseignements de sécurité, tels que la norme d'essai UL/ULC et autres, à l'intention de vos représentants locaux ou de toute autre personne qui peut en avoir besoin.

IMPORTANT! Lisez et suivez TOUTES les instructions pour l'installation et l'entretien, notamment celles portant sur le nettoyage de l'appareil à effectuer selon les directives et celles portant sur le remplacement des joints (annuellement) et des pièces (au besoin). England's Stove Works n'est pas responsable des dommages ni des blessures, quels qu'ils soient, subis en raison de négligence ou à cause d'une installation ou utilisation dangereuse de ce produit. Pour toute question, communiquez avec le service de soutien technique.

Avoir l'information en main lorsque vous téléphonez à l'usine ou à votre vendeur au sujet de ce produit.

À conserver pour vos dossiers :

Numéro de modèle _____

Date d'achat _____

Date de fabrication _____ No de série _____

GARANTIE LIMITÉE À 5 ANS À L'ACHETEUR INITIAL À DATER DE L'ACHAT

Le fabricant offre les garanties suivantes :

Période de cinq ans :

L'acier au carbone et les soudures du foyer sont couverts pendant 5 ans contre la fissuration.

1. La porte et les charnières en fonte sont couvertes pendant 5 ans contre le fendillement.

Période d'un an :

Les pièces comme la trémie, la chambre de combustion, le déflecteur, les arbres et les coussinets et les fixations sont couverts pendant 1 an contre le fendillement, le bris et l'ouverture des soudures.

2. Les composants électriques, les accessoires, le verre et la surface peinte sont couverts pendant 1 an à dater de l'achat.

Conditions et exclusions :

Les dommages dus à la surchauffe annuleront la garantie.

Cette garantie ne s'applique pas en cas de dommage causé par un accident, une mauvaise manipulation, une installation défectueuse, une mauvaise utilisation, un abus, ou une réparation non autorisée faite ou tentée d'être faite.

Le fabricant n'est pas responsable des dommages indirects, accessoires ou immatériels en regard avec le produit, y compris des coûts et dépenses pour fournir du matériel ou du service de remplacement pendant les périodes de fonctionnement défectueux ou de non utilisation.

Toute responsabilité pour des dommages indirects pour bris de garantie écrite ou implicite est déclinée et exclue. Certains états (ou provinces) n'autorisent pas l'exclusion ou la restriction des dommages accessoires ou indirects; par conséquent, la restriction ou les exclusions ci-dessus pourraient ne pas s'appliquer à vous.

Procédure:

L'acheteur doit envoyer un avis de réclamation de défaut durant la période de garantie et payer le transport aller-retour au centre de service désigné par l'usine Le vendeur auquel vous avez acheté l'appareil ou l'usine, à notre choix, exécutera le service relatif à la garantie.

Autres droits :

Cette garantie vous donne des droits spécifiques et vous pourriez également avoir d'autres droits qui peuvent varier selon les états et les provinces.

NOTE : CETTE GARANTIE EST NULLE ET NON AVENUE SI VOUS NE RETOURNEZ PAS L'ENREGISTREMENT DE LA GARANTIE AVEC UNE COPIE DE VOTRE FACTURE DANS LES 30 JOURS À DATER DE L'ACHAT.

LA GARANTIE N'EST PAS TRANSFÉRABLE

IMPORTANT! Lisez et suivez TOUTES les instructions pour l'installation et l'entretien, notamment celles portant sur le nettoyage de l'appareil à effectuer selon les directives et celles portant sur le remplacement des joints (annuellement) et des pièces (au besoin). England's Stove Works n'est pas responsable des dommages ni des blessures, quels qu'ils soient, subis en raison de négligence ou à cause d'une installation ou utilisation dangereuse de ce produit. Pour toute question, communiquez avec le service de soutien technique.

ENREGISTREMENT DE GARANTIE pour England's Stove Works

Acheté par (Nom) _____

Adresse _____

Ville _____ Province _____ Zip _____

Téléphone _____

Adresse courriel _____

INFORMATION SUR LE VENDEUR

Acheté de (Vendeur) _____

Adresse _____

Ville _____ Province _____ Zip _____

INFORMATION SUR L'APPAREIL

(Veuillez vous assurer de consulter l'étiquette au dos de ce manuel ou sur la boîte pour remplir cette section)

Numéro de modèle _____ Date d'achat _____

Prix d'achat _____

Numéro de série _____ Date de fabrication _____

Comment avez vous entendu parler de notre produit? (Veuillez cocher une case)

Bouche à oreille Bande-annonce Internet

Autre : _____

Comment avez vous entendu parler de notre produit? (Veuillez cocher une case)

Reçu info par téléphone Vendeur (Nom du vendeur): _____

Internet Autre : _____

AVIS IMPORTANT :

UN DOSSIER DOIT CONTENIR CETTE INFORMATION D'ENREGISTREMENT POUR QUE CETTE GARANTIE SOIT VALIDE.

VEUILLEZ POSTER CETTE INFORMATION DANS LES TRENTE (30) JOURS À DATER DE L'ACHAT.

Poster à :

England's Stove Works, Inc.
Technical Support Department
P.O. Box 206

Monroe, VA 24574

Ou télécopier à :

(434) 929-4810 – 24 heures par jour

Ou, maintenant accessible – Aller en ligne pour remplir votre enregistrement de garantie !

Consulter www.heatredefined.com si vous préférez vous enregistrer en ligne.

IMPORTANT! Lisez et suivez TOUTES les instructions pour l'installation et l'entretien, notamment celles portant sur le nettoyage de l'appareil à effectuer selon les directives et celles portant sur le remplacement des joints (annuellement) et des pièces (au besoin). England's Stove Works n'est pas responsable des dommages ni des blessures, quels qu'ils soient, subis en raison de négligence ou à cause d'une installation ou utilisation dangereuse de ce produit. Pour toute question, communiquez avec le service de soutien technique.

IMPORTANT! Lisez et suivez TOUTES les instructions pour l'installation et l'entretien, notamment celles portant sur le nettoyage de l'appareil à effectuer selon les directives et celles portant sur le remplacement des joints (annuellement) et des pièces (au besoin). England's Stove Works n'est pas responsable des dommages ni des blessures, quels qu'ils soient, subis en raison de négligence ou à cause d'une installation ou utilisation dangereuse de ce produit. Pour toute question, communiquez avec le service de soutien technique.

REMARQUE :

POÊLE À GRANULES – Respecte les limites d'émission de combustible de 2015 établies par l'Environmental Protection Agency des États-Unis pour les poêles à bois vendus après le 15 mai 2015.

RENSEIGNEMENTS SUR L'EPA

Les ajouts suivants à votre guide d'utilisation vous permettront de réduire au minimum les émissions produites par votre poêle à bois. Des conseils de sécurité importants vous sont également présentés.

- *Installation adéquate* – Veuillez consulter la section sur l'installation de votre guide d'utilisation et suivre les directives énoncées afin d'assurer la sécurité et de réduire au minimum les émissions.

Renseignements supplémentaires :

Ventilation :

Assurez-vous de respecter les recommandations indiquées dans votre guide d'utilisation concernant la ventilation, notamment celles sur le système de conduit de fumée et le tuyau de ventilation.

Veuillez également noter que le raccord d'air extérieur (air de combustion) est OBLIGATOIRE pour faire fonctionner le poêle de manière appropriée et sécuritaire et pour réduire au minimum les émissions.

Comme indiqué dans le guide d'utilisation, les terminaisons des événements doivent être dégagées; communiquez avec le service de soutien technique si vous avez des questions. Composez le 1 800 245-6489 ou envoyez un courriel à service@englanderstoves.com.

Assurez-vous de bien suivre toutes les instructions du fabricant relatives au système de ventilation, surtout par rapport aux distances minimales nécessaires avec les matières combustibles.

Ce poêle à granules fonctionne avec à un système à tirage négatif qui tire l'air de combustion au travers du pot de combustion et pousse l'air vicié au travers du tuyau de ventilation puis à l'extérieur du bâtiment. Cet appareil doit être installé conformément aux techniques de ventilation décrites en détail dans le guide d'utilisation. Le non-respect de ces techniques pourrait réduire le rendement du poêle et causer des dommages matériels, des blessures ou la mort. England's Stove Works n'est pas responsable des dommages causés par une installation incorrecte ou non sécuritaire.

IMPORTANT! Lisez et suivez TOUTES les instructions pour l'installation et l'entretien, notamment celles portant sur le nettoyage de l'appareil à effectuer selon les directives et celles portant sur le remplacement des joints (annuellement) et des pièces (au besoin). England's Stove Works n'est pas responsable des dommages ni des blessures, quels qu'ils soient, subis en raison de négligence ou à cause d'une installation ou utilisation dangereuse de ce produit. Pour toute question, communiquez avec le service de soutien technique.

Renseignements supplémentaires sur la ventilation

- Ne mélangez pas et n'associez pas de pièces provenant de différents fabricants lorsque vous installez le système de ventilation (par exemple, n'utilisez **PAS** le tuyau d'un fabricant avec la gaine pour tuyau d'un autre fabricant).
- Il est **nécessaire** que le tuyau soit disposé verticalement sur au moins 91,44 cm pour créer un tirage naturel dans le système. Ceci facilitera l'évacuation de la fumée du poêle dans le cas d'une coupure d'électricité ou d'une panne du ventilateur de combustion.
- Les systèmes de ventilation longs de 4,57 m ou moins devraient être composés intégralement de tuyaux pour poêle à granules de 3 po afin de réduire les pertes attribuables à la friction. Les systèmes plus longs, quant à eux, doivent être composés de tuyaux pour poêle à granules de 4 po.
- Ne faites pas aboutir le système de ventilation directement sous une structure combustible comme un porche ou une terrasse.
- Respectez les normes NFPA 211 énumérées ci-dessous, relatives à l'emplacement de la terminaison des systèmes de ventilation en fonction de l'emplacement des fenêtres et des autres ouvertures d'une résidence.
 - NFPA 211 (version 2006) Section 10.4 Terminaison : 10.4.5
(1) L'extrémité de sortie des systèmes mécaniques de tirage autres que les dispositifs de ventilation directe (dispositifs pour des appareils à combustion étanche) doit être située conformément aux indications suivantes :
 - (a) À au moins 0,91 m (3 pi) au-dessus de toute prise d'air par ventilation forcée située dans un rayon de 3 m (10 pi).
 - (b) À au moins 1,2 m (4 pi) en dessous, 1,2 m (4 pi) latéralement ou 305 mm (1 pi) au-dessus de toute porte, fenêtre ou de prise d'air par gravité d'un bâtiment.
 - (c) À au moins 0,61 m (2 pi) d'un bâtiment adjacent et à au moins 2,10 m (7 pi) au-dessus du sol si elle jouxte la voie publique.
- La hauteur de l'ouverture par rapport au niveau du sol à son aplomb doit être d'au moins 0,61 m. Lorsque vous mesurez la hauteur de la terminaison, prenez en compte la hauteur habituelle des bancs de neige et la présence d'éléments combustibles comme les tas d'herbes ou de feuilles. Dans les régions où des chutes de neige importantes sont possibles, la hauteur de la terminaison doit être suffisante pour que cette dernière ne soit pas obstruée par les accumulations de neige.
- N'ayez pas recours à des expédients au cours de l'installation et ne disposez aucune des pièces de l'appareil ou du système de ventilation d'une façon qui pourrait être dangereuse.
- Le raccord de cheminée ne doit pas traverser de grenier, de comble, de placard, ni d'autres espaces dissimulés, ni encore de plancher ou de plafond.
- Le passage au travers d'un mur ou d'une cloison en matériau combustible doit être réalisé conformément à la norme CAN/CSA-B365.

AVERTISSEMENT :

Les surfaces du système de ventilation deviennent CHAUDES et peuvent causer des brûlures si vous les touchez. Il peut être nécessaire d'utiliser un revêtement ou des grilles de protection incombustibles.

RACCORDEMENT À L'AIR EXTÉRIEUR

- L'air de combustion utilisé par ce poêle **doit** provenir de l'extérieur.
- Le tuyau de raccordement à l'air extérieur dépasse de la partie inférieure centrale à l'arrière du poêle. Utilisez l'ensemble de raccordement fourni avec le poêle pour raccorder celui-ci à l'air extérieur. Les instructions ainsi que toutes les pièces nécessaires au raccordement de votre poêle à granules à l'air extérieur sont incluses dans l'ensemble de raccordement à l'air extérieur.
- S'il ne vous est pas possible d'utiliser l'ensemble de raccordement à l'air extérieur, vous pouvez utiliser d'autres pièces à condition de respecter ce qui suit :
 - Le tuyau utilisé pour le raccordement à l'air extérieur doit être en métal d'une épaisseur d'au moins 0,0209 po (acier doux de calibre 25) et son diamètre intérieur doit être d'approximativement 2 po.
 - Tous les joints et raccords du tuyau doivent être scellés à l'aide de colliers de serrage ou d'un autre moyen mécanique, afin que le raccordement à l'air extérieur ne présente pas de fuites.
 - Il est déconseillé d'utiliser une trop grande longueur de tuyau et d'y former un nombre excessif de coudes. En raison de la résistance au frottement dans le tuyau, le rendement du poêle sera réduit si le tuyau de raccordement à l'air extérieur est trop long.
 - Une grille ou un autre dispositif de protection doit être placé à l'extrémité du tuyau de raccordement à l'air extérieur, afin d'éviter que la pluie, des débris ou des animaux nuisibles ne pénètrent dans la tuyauterie.
 - Utilisez un tuyau d'un diamètre de 3 po si la longueur du raccordement à l'air extérieur est de plus de 1,83 m, si le raccordement présente plus de deux coudes ou si le poêle est installé dans un sous-sol.
- Le raccordement à l'air extérieur doit être inspecté au moins une fois par an afin de s'assurer qu'il n'est pas obstrué.
 - *Fonctionnement et entretien* – Consultez les sections sur le fonctionnement (mode d'emploi) et l'entretien (y compris le retrait et l'élimination des cendres) de votre guide d'utilisation et suivez les directives énoncées pour assurer la sécurité et réduire au minimum les émissions.

Renseignements supplémentaires :

Respectez les instructions de votre guide d'utilisation concernant l'allumage d'un feu afin de produire un feu approprié et de réduire les émissions visibles.

Plus :

- *Alimentation en combustible et réalimentation* : Conseils pratiques pour faire un feu – Consultez votre guide d'utilisation pour obtenir des renseignements sur l'alimentation en combustible (et la réalimentation) ainsi que sur les procédures d'allumage de feu.
- *Choix du combustible* : Une fois que le poêle est correctement installé, assurez-vous de suivre les instructions du guide d'utilisation concernant le choix du combustible et la mise en marche et le fonctionnement du poêle. Suivez également les conseils ci-dessous qui vous aideront à obtenir un rendement optimal de votre poêle.

IMPORTANT! Lisez et suivez TOUTES les instructions pour l'installation et l'entretien, notamment celles portant sur le nettoyage de l'appareil à effectuer selon les directives et celles portant sur le remplacement des joints (annuellement) et des pièces (au besoin). England's Stove Works n'est pas responsable des dommages ni des blessures, quels qu'ils soient, subis en raison de négligence ou à cause d'une installation ou utilisation dangereuse de ce produit. Pour toute question, communiquez avec le service de soutien technique.

Remarques à propos de l'utilisation quotidienne

- Seuls des granules de bois de qualité, d'un diamètre de 6,4 mm (0,25 po), doivent être utilisés dans le poêle. L'utilisation de granules de moindre qualité contenant une grande quantité de cendres OU de granules dont le taux d'humidité est important peut provoquer un engorgement plus rapide du pot de combustion par les cendres et peut nécessiter un entretien périodique beaucoup plus fréquent. Veuillez consulter la section « Entretien » du présent guide afin de mieux comprendre en quoi le choix du combustible a une incidence sur le fonctionnement, l'entretien et le nettoyage du poêle.
- Il est normal de constater des fluctuations dans la hauteur de la flamme. En effet, les granules de bois n'ont pas tous la même taille, ce qui peut avoir une incidence sur l'alimentation du pot de combustion. L'intensité de la flamme peut varier sans que cela provoque une perte de rendement.
- Conservez toujours les granules de bois dans un endroit sec afin qu'ils conservent leur forme et que leur taux d'humidité reste bas. Assurez-vous également que la totalité des granules de bois est conservée à une distance sécuritaire du poêle. Sinon, un incendie pourrait se déclarer.

Ce poêle à granules est muni d'un pot de combustion spécialement conçu qui a été installé en usine. Ce pot de combustion élève les granules qui se consomment et dirige l'air précisément aux endroits requis. Les granules ne doivent être brûlés que dans ce pot de combustion, qui ne doit subir aucune modification. De plus, aucune grille ni aucun rehausseur de feu ne doit être utilisé.

- **COMBUSTIBLES À ÉVITER :**

ATTENTION

- **N'UTILISEZ JAMAIS D'ESSENCE, DE COMBUSTIBLE POUR LAMPE APPARENTÉ À L'ESSENCE, DE KÉROSÈNE, DE LIQUIDE D'ALLUMAGE POUR CHARBON, NI AUCUN LIQUIDE SIMILAIRE POUR ALLUMER OU RAVIVER UN FEU DANS CE POÊLE. CONSERVEZ DE TELS LIQUIDES ÉLOIGNÉS DU POÊLE LORSQUE CELUI-CI FONCTIONNE. DE PLUS, NE DISEZ JAMAIS D'ALLUME-FEUX SUR UNE SURFACE CHAUDE NI SUR DES TISONS DANS LE POÊLE. N'UTILISEZ PAS DE PRODUITS CHIMIQUES NI DE FLUIDES POUR ALLUMER LE FEU.**
- **NE FAITES PAS BRÛLER DE LIQUIDES INFLAMMABLES COMME DE L'ESSENCE, DU NAPHTA OU DE L'HUILE POUR MOTEUR.**
 - **NE FAITES PAS BRÛLER DES DÉCHETS, DU GAZON COUPÉ OU DES RÉSIDUS DE JARDINAGE, DES MATÉRIEAUX CONTENANT DU CAOUTCHOUC, Y COMPRIS DES PNEUS, DES MATÉRIEAUX CONTENANT DU PLASTIQUE, DES DÉCHETS DE PRODUITS PÉTROLIERS, DE LA PEINTURE OU DU DILUANT À PEINTURE, DES PRODUITS BITUMINEUX, DES MATÉRIEAUX CONTENANT DE L'AMIANTE, DES DÉBLAIS OU DES DÉBRIS DE CONSTRUCTION, DES TRAVERSES DE CHEMIN DE FER OU DU BOIS TRAITÉ SOUS PRESSON, DU FUMIER OU DES RESTES D'ANIMAUX, DU BOIS DE GRÈVE IMPRÉGNÉ D'EAU SALÉE OU DES MATÉRIEAUX PRÉALABLEMENT SATURÉS EN EAU SALÉE, DU BOIS NON SÉCHÉ, DES PRODUITS DE PAPIER, DU CARTON, DU CONTREPLAQUÉ OU DES PANNEAUX DE PARTICULES. L'INTERDICTION DE BRÛLER CES MATÉRIEAUX NE VOUS EMPÊCHE PAS D'UTILISER DES ALLUME-FEU À BASE DE PAPIER, DE CARTON, DE SCIURE, DE CIRE OU D'AUTRES SUBSTANCES SEMBLABLES POUR ALLUMER UN FEU DANS LE POÊLE À BOIS. LA COMBUSTION DE CES MATÉRIEAUX PEUT COMPROMETTRE LE RENDEMENT DU POÊLE ET PRODUIRE DE LA FUMÉE ET DES VAPEURS TOXIQUES.**

IMPORTANT! Lisez et suivez TOUTES les instructions pour l'installation et l'entretien, notamment celles portant sur le nettoyage de l'appareil à effectuer selon les directives et celles portant sur le remplacement des joints (annuellement) et des pièces (au besoin). England's Stove Works n'est pas responsable des dommages ni des blessures, quels qu'ils soient, subis en raison de négligence ou à cause d'une installation ou utilisation dangereuse de ce produit. Pour toute question, communiquez avec le service de soutien technique.

Commande d'air : Votre poêle à granules est doté d'un panneau de commande qui règle automatiquement le rapport air/combustible pour garantir un rendement optimal. Consultez votre guide d'utilisation pour obtenir des renseignements sur l'utilisation du panneau de commande et sur la manière de garantir une combustion optimale. Suivez également les conseils ci-dessous :

Le panneau de commande de ce poêle vous permet de régler l'émission de chaleur et la vitesse du ventilateur de convection ainsi que d'allumer et d'éteindre le poêle.

- Les boutons au bas du tableau de commande (alimentation faible, air de combustion faible, température de l'air entrant) ne doivent pas être utilisés au cours du fonctionnement normal du poêle. Ces boutons sont pré-réglés en usine et ne doivent pas être réglés par les utilisateurs.
- Appuyez sur le bouton « On » pour allumer le poêle et démarrer un feu. Le voyant lumineux situé au-dessus du bouton doit devenir vert et l'indication « S U » doit s'afficher sur le panneau de commande peu de temps après.
- Appuyez sur le bouton « Off » pour éteindre le poêle. Le voyant lumineux situé au-dessus du bouton doit devenir rouge et l'indication « S d » doit s'afficher sur le panneau de commande peu de temps après. La séquence d'arrêt du poêle débute alors, et ce dernier reste en mode d'arrêt jusqu'à ce qu'il ait refroidi.
- Pour augmenter la chaleur sortant du poêle, appuyez sur la flèche vers le haut qui est associée à la plage de chaleur. La valeur affichée sur l'écran de la plage de chaleur augmente alors, ce qui signifie que le panneau de commande règle l'apport de chaleur en fonction de votre préférence. La vitesse du ventilateur augmente proportionnellement à la température. Le poêle est conçu pour que la valeur associée à la vitesse de ventilation soit toujours plus élevée ou égale à celle associée à la plage de température. La flèche vers le bas permet de diminuer la température ainsi que la vitesse du ventilateur.
- Appuyez sur la flèche vers le haut qui est associée à la vitesse du ventilateur pour augmenter celle-ci sans augmenter la température. Appuyez jusqu'à ce que la valeur souhaitée s'affiche à l'écran. En appuyant sur la flèche vers le bas, vous diminuerez la vitesse du ventilateur, sans toutefois que la valeur associée à celle-ci puisse devenir inférieure à celle qui est associée à la plage de chaleur.

Attention

Le poêle est conçu pour fonctionner uniquement lorsque le bac à cendres et la porte principale sont fermés. L'utilisation du poêle avec l'un de ces éléments ouvert provoquerait un refoulement de fumée et une combustion lente et inefficace.

De plus, l'utilisation de combustibles autres que les granules de bois peut être dangereuse et produire un excès de monoxyde de carbone. Le monoxyde de carbone est un gaz mortel qui est inodore et incolore. N'utilisez que des granules de bois dans votre poêle.

Il est fortement recommandé d'utiliser un détecteur de monoxyde de carbone.

- *RETRAIT DES CENDRES* – Suivez les instructions du guide d'utilisation concernant le retrait et l'élimination des cendres. Assurez-vous également de suivre TOUTES les exigences d'entretien indiquées.
- *REPLACEMENT des pièces essentielles à un taux d'émission faible* – Suivez les instructions du guide d'utilisation concernant le remplacement des joints et des autres pièces essentielles à un taux d'émission faible.

Rappel : « Afin d'assurer le bon fonctionnement du poêle à bois, vous devez l'inspecter périodiquement et réparer au besoin. En vertu des règlements fédéraux, il est interdit d'utiliser ce poêle à bois d'une manière non conforme au mode d'emploi indiqué dans le présent guide. »

- **Détecteurs de fumée**

England's Stove Works, Inc. recommande fortement l'utilisation de détecteurs de fumée dans chaque pièce de la maison. Cependant, le fait de poser un détecteur de fumée directement au-dessus du poêle pourrait causer des alarmes intempestives.

- *Conformité* : « Ce poêle à bois non catalytique respecte les limites d'émission de combustible de 2015 établies par l'Environmental Protection Agency des États-Unis pour les poêles à bois vendus après le 15 mai 2015. »
- *Avertissement relatif aux modifications* : « Ce poêle à bois est doté d'un taux de combustion bas minimum réglé en usine qui ne doit pas être modifié. En vertu des règlements fédéraux, il est interdit de modifier ce réglage et d'utiliser ce poêle à bois d'une manière non conforme au mode d'emploi indiqué dans le présent guide. »
- *Garantie* : Consultez votre guide d'utilisation pour obtenir le formulaire d'enregistrement de la garantie et connaître les instructions relatives aux procédures de la garantie. Dans le cas des pièces, les procédures de remplacement au titre de la garantie se trouvent sur le site de notre magasin de pièces : www.store.heatredefined.com