

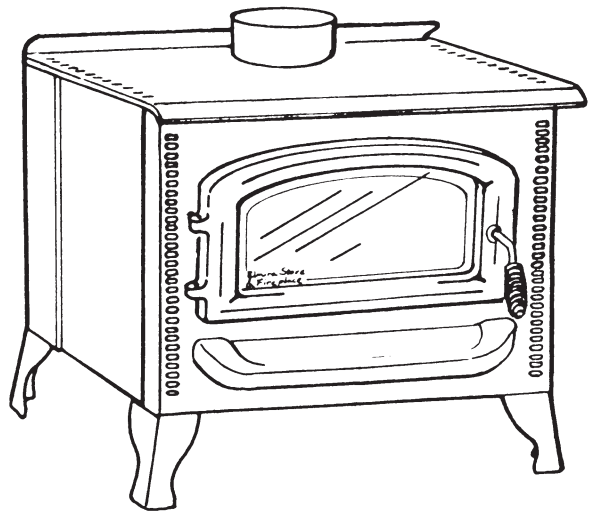
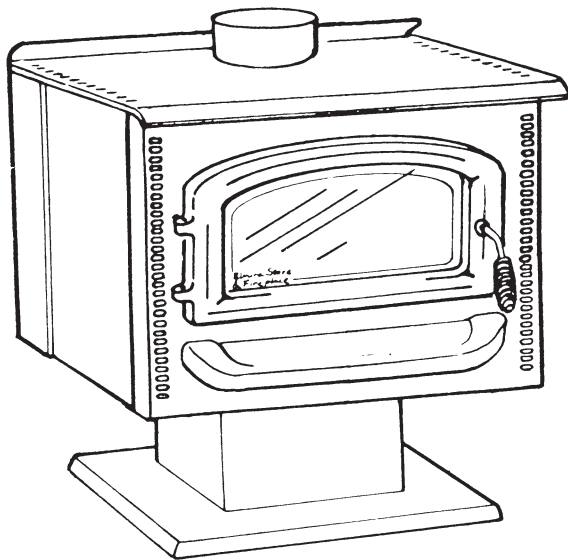
Elmira Heating Stoves are listed to ULC Standard S-627 & UL 1482 by Warnock Hersey Professional Services Ltd.



NOTE: WARNOCK HERSEY
I.C.B.O. N.R.B. # 219

Elmira Stove & Fireplace

INSTALLATION AND OPERATING INSTRUCTIONS FOR THE FIREVIEW MODEL 2300 HI-TECH (Mobile Home Approved)

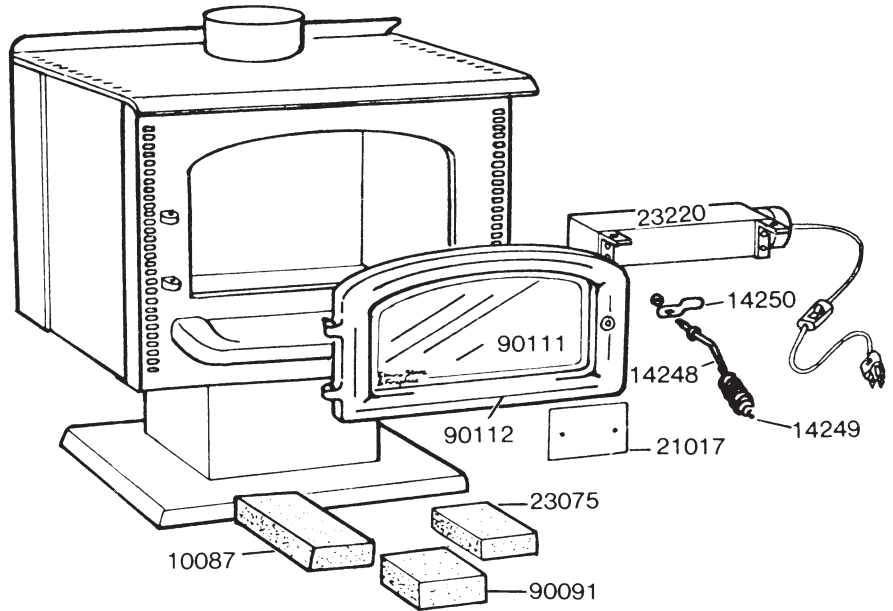
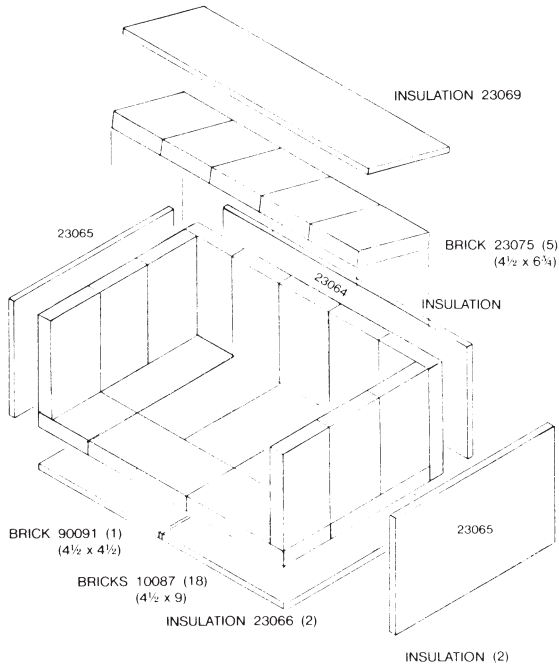


GENERAL INFORMATION

“SAFETY NOTICE: If this stove is not properly installed, a house fire may result. For your safety, follow the installation directions. Contact local building or fire officials about restrictions and installation inspection requirements in your area.”

**SAVE THESE INSTRUCTIONS
FOR FUTURE REFERENCE.**

PARTS CHART FOR FIREVIEW MODEL 2300



Part #	Description	Number Required	Part #	Description	Number Required
90111	Etched Glass	1	21017	Pedestal Cover Plate	1
90102	Black Door Frame C/W Liner	1	14200	Control Lever Knob	1
90103	Gold Door Frame C/W Liner	1	21057	Fresh Air Intake Kit — Optional (For Outside Air)	1
14248	Handle C/W Nut	1	10087	Brick — Size 4 1/2" x 9"	18
14249	Spring Handle	1	90091	Brick — Size 4 1/2" x 4 1/2"	1
14250	Door Latch	1	23075	Brick — Size 4 1/2" x 6 3/4"	5
23220	Fan w/Switch	1			

INDEX

Parts Chart	1	Fresh Air Kit	4
Introduction	2	Mobile Home Installation	4
Stove Safety	2	Chimney Requirements (Mobile Home)	5
Stove Location	2	Important Precautions	6
Floor Protection	2	Stove Operations	6
Chimney Requirements	2	Control of Fire	6
(Residential)		Chimney Cleaning	6
Stove Installation	3	Disposal of Ashes	7
(Residential)		Maintenance	7
Baffle Installation or Removal	3	Care of Gold Door	7
Chimney Configurations	3	Selection of Wood	7
Stove Clearances to Combustibles	4	Warranty	8

INTRODUCTION

Welcome to the growing family of "Elmira Stove" owners. Please carefully read the instructions as laid out in this manual. Before installing this stove we suggest you contact your local building inspection department or Fire Marshall's office regarding local building code requirements in your area. We also recommend you contact your insurance company prior to installation. When properly installed this stove will provide many years of pleasure and satisfying heat production.

Incorrect installation or use may result in poor service or become a fire hazard.

STOVE SAFETY

Caution: Hot while in operation. Do not touch. Keep children, clothing and furniture away. Skin contact may cause burns. Install and use only in accordance with manufacturer's installation and operation instructions. Contact your local Building or Fire Officials about restrictions and installation in your area. This heater must not be installed in a sleeping room.

Locating Your Stove

- A) Locate away from doors, hallways, staircases, and general traffic areas as much as possible.
- B) For best heating performance an open central area with good air circulation is preferred.
- C) Avoid long lengths of connector pipe.

Floor Protection

Install unit on solid level floor. When installing the Model 2300 on a combustible surface, a floor protector of minimum 3/8" (10 mm) thick insulating millboard or equivalent (see formula below) is required. This pad shall extend at least 18" (450 mm) to the front, 8" (200 mm) to the sides and 8" (200 mm) to the rear of the stove.

Formula for Equivalent Hearth Extension

Hearth extensions may be fabricated from noncombustible materials as long as the materials are at least 1/2 inch thick and have a thermal conductivity factor "K" of .043 or lower.

Units of K = Btu/ft 2/h/ F/in.

Example of determining the thickness of equivalent hearth extension materials:

$$\frac{(\text{"K" of equivalent material}) \times 0.5}{0.43} = \text{thickness required}$$

The thermal conductivity of "K" of equivalent materials can usually be obtained from the manufacturer.

Example calculation for brick:

$$\frac{5 \times 0.5}{0.43} = 5.81 \text{ in. of brick}$$

The thermal insulating layer must be covered by noncombustible material such as metal, tile, slate, marble, stone, etc.

Conventional Chimney Requirements (Residential)

This heater must be connected to a masonry or listed residential chimney. Check restrictions in your area.

The top of the chimney shall extend at least 3' (1.0 M) above the roof and at least 2' (600 mm) above any adjacent roof or building within 10' (3.0 M) horizontally.

Install a factory built chimney in accordance with the chimney manufacturers instructions.

Single wall connector, double wall connector or listed type 'L' vent of 6" (150 mm) diameter must be used to connect this stove to the chimney.

Single wall smoke pipe shall be at least 24 gauge mild steel. Install with crimped end down. Keep smoke pipe runs to no more than ten feet and elbows to a maximum of two.

Do not pass single wall smoke pipe through an attic roof space, closet, floor, ceiling, wall or any part of combustible construction.

Do not connect heater to a chimney servicing another appliance.

Do not connect to an air distribution duct.

NOTE: Fasten 21017 cover plate to rear of pedestal when installing stove with fresh air kit. (Figure 3). Page 5.

Chimney Requirements (Mobile Home)

Obtain a building permit before installation.

MODEL 2300 MOBILE HOME: Use only the following Chimney and Mobile Home Kits.

ELMIRA STOVE MOBILE HOME CHIMNEYS - MODEL 2300

MANUFACTURER	DOUBLE WALL	HI TEMP CHIMNEY
Selkirk Metalbestos	CDN Model D.S. U.S.A. Model D.S.	CDN Sentinel CF U.S.A. SS-11-HT
Security	CDN / USA DC 2100	CDN S-2100 U.S.A. AS-HT
Oliver MacLeod	CDN - Model Provent U.S.A. Model Provent	CDN - HT-3000 U.S.A. - HT-3103
American Metal Products	U.S.A. - D.B.S.P.	U.S.A. - Model H.S.
Simpson Dura Vent	U.S.A. - Model Dura Vent - DVL	U.S.A. - Dura Plus HT-2100
Ryder	CDN - Model "E"	CDN Commander 5000
GSW	CDN Super Pipe 6 U.S.A. Super Pipe 6	CDN Super Chimney 21 U.S.A. Super Chimney 21

The top of the chimney shall extend at least 3' (1.0 M) above the roof and 2' (600 mm) above the adjacent roof or building within 10' (3.0 M) horizontally.

Parts and Tools Required for Unpacking and Assembly

a) Single wall connector pipe, listed double wall connector pipe or listed type 'L' vent connector pipe as required.

3/8" (10 mm) #6 sheet metal screws to secure connector pipes.

Electric drill with 1/8" (3 mm), 5/32 (4 mm) and 3/16 (4.5 mm) drill bits.

Screw driver to secure sheet metal screws.

b) Unpacking

Cut and remove strapping bands. Remove cardboard carton, loose parts and packing.

Inspect stove for possible damage received during shipping. Notify your freight carrier immediately if any damage has occurred.

Stove Installation (Residential)

Locate your stove on a solid level surface maintaining the clearances to combustible materials as outlined in Table 1. Page 4.

BAFFLE INSTALLATION OR REMOVAL (FOR SERVICING OR CLEANING)

1. Remove the rear baffle bricks #2, from the unit. You will notice a layer of rigid insulation #3. This board will move forward over top of steel baffle #4, exposing the flue cover plate #5. See figure 1.

2. This outlet baffle is positioned by a pin at the rear of the unit. By lifting the baffle from the rear, the pin will disengage, allowing for removal. Once completed, you now have direct access to the flue.

3. Reverse the steps to reinstall baffle. Care must be taken to ensure that the insulation board is pulled all the way back into position. See figure 1.

Install connector pipe as shown in Figures 2.

NOTE: Insert connector pipe into masonry chimney to no further than the wall of the flue tile.

Connector pipe shall have all crimped ends facing down toward the stove and joints are to be drilled and secured with 3 sheet metal screws at each joint.

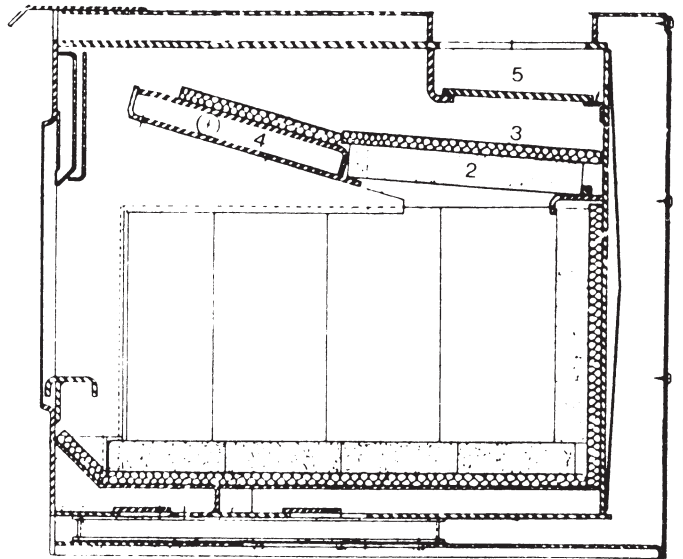
The clearances shown above are to combustible walls and may be reduced substantially by using UL or ULC listed wall protectors.

Fresh Air Kit

An optional kit is available for installations utilizing outside combustion air. Order the mobile home kit and follow the directions for installation. Also see fresh air installation — page 5.

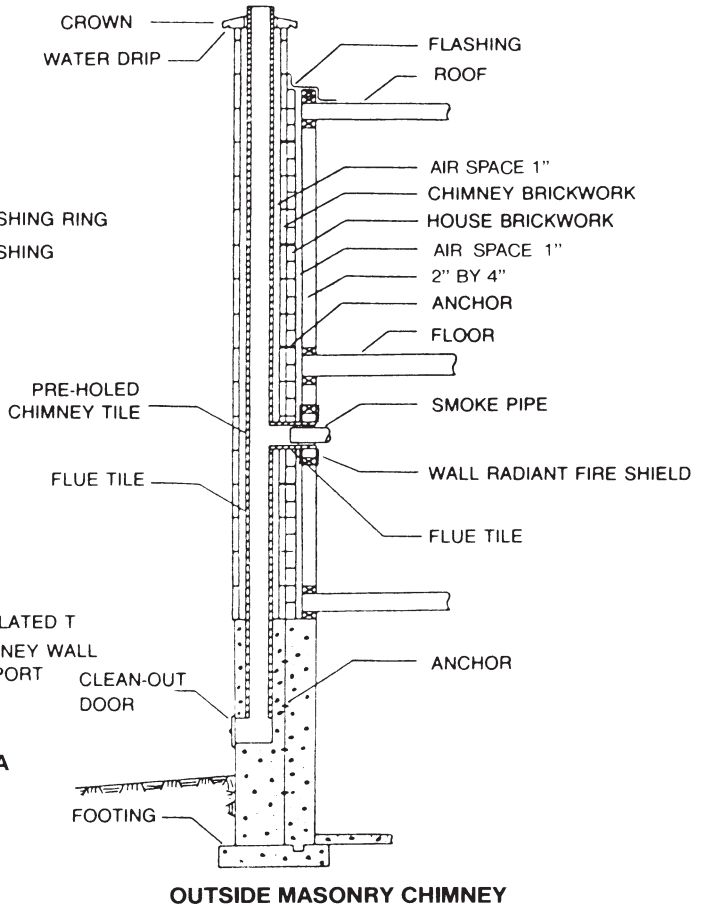
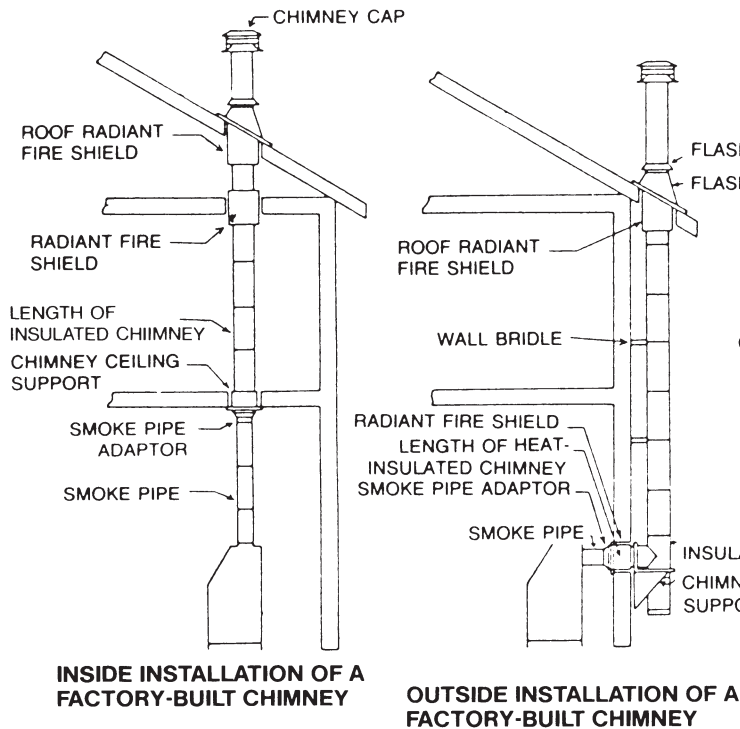
Helpful Chimney Tips

Remember . . . a stove itself has no draft. Draft must be supplied by the chimney. If your stove continually smokes when lit, the chimney should be checked, if necessary it may have to be repaired, extended or replaced. Check masonry chimneys for interior obstructions. Seal the cleanout door located near the bottom of the chimney.



CHIMNEY CONFIGURATIONS

See figure 2.



Figures 2

Some older masonry chimneys have flue areas of 8" x 12", 12" x 12", or as large as 16" x 16" and are probably unlined. These chimneys would take more than two hours to warm up and may smoke frequently. The solution would be to reduce the flue area by relining it with an approved chimney liner or replacing the chimney.

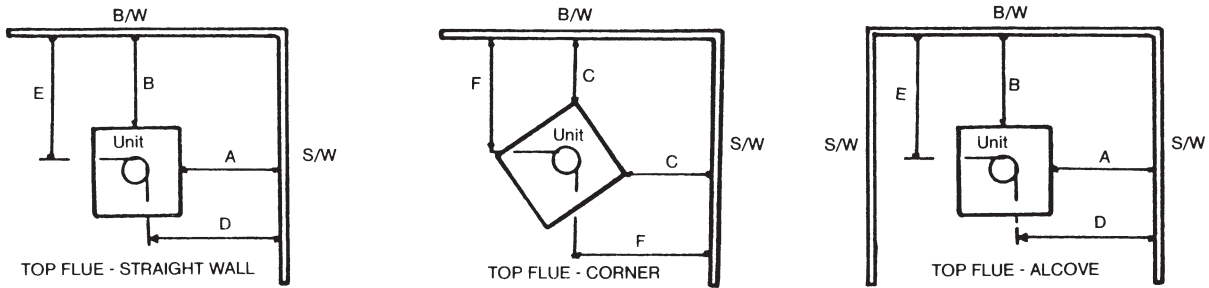
Regulations specify the chimney must extend 3' (1.0 M) above anything within a 10' (3.0 M) radius of the top of the chimney.

Trees, hills, overhangs or other houses near your chimney can cause a downdraft resulting in a smoke filled room. Wind direction will usually have a bearing on a downdraft. Is there an obstruction in the path of the wind and your chimney? If a downdraft continues, see our dealer for a chimney top remedy.

The 2300 has been listed for installation in a Mobile Home.

STOVE CLEARANCES TO COMBUSTIBLES

TABLE 1



MINIMUM CLEARANCES TO COMBUSTIBLE MATERIALS

FROM HEATER WITH SINGLE WALL CHIMNEY CONNECTOR

Sidewall	Backwall	Corner
A	B	C
15"	21½"	12"
Alcove Installation		
15"	21½"	—

FROM CHIMNEY CONNECTOR WITH SINGLE WALL SMOKEPIPE

Sidewall	Backwall	Corner
D	E	F
26½"	24½"	24"
Alcove Installation		
26½"	24½"	—
Ceiling		
18" (460)		

FROM HEATER WITH DOUBLE WALL CHIMNEY CONNECTOR

Sidewall	Backwall	Corner
A	B	C
14"	9"	9"
Alcove Installation		
14"	9"	—
From Chimney Connector		
Sidewall	Backwall	Corner
D	E	F
24"	11½"	21"
Alcove Installation		
14"	9"	—
Ceiling		
18" (460)		

MOBILE HOME - FROM HEATER WITH APPROVED MOBILE HOME PACKAGE

Sidewall	Backwall	Corner
A	B	C
15"	10"	10"
From Chimney Connector		
25"	12½"	22"
Ceiling		
18" (460)		

MOBILE HOME STOVE INSTALLATION

Obtain a building permit before installing the stove.

A mobile home installation kit must be purchased when installing in a mobile home. (Kit # 21057)

Follow directions in the manual for minimum clearances, hearth requirements, stove location and outside air intake installation.

Caution: The structural integrity of the mobile home floor, wall, and ceiling roof must be maintained.

The Elmira Mobile Home package #21057 includes an outside air intake vent w/screen, four hold down clips and lag bolts.

Warning: The stove must be installed to the following criteria:

1. Do not install in a sleeping room.
2. An outside air source is required to feed air to the firebox.
3. The stove must be securely attached to the mobile home floor. See figures 3 or 4.
4. The listed chimney package, with spark arrestor, must be attached directly to the stove. See figure 2.
5. The stove must be placed on a non-combustible hearth extension pad.
6. The weight of the stove, chimney connector and hearth extension must be spread over an area so as not to exceed the 40 lb. per sq. ft. (1.9 KN/sq. meter) floor load limit.
7. The vapor barrier in the ceiling and the floor in the Mobile Home must be maintained and where the chimney and air duct penetrate this barrier it should be sealed with tape to the duct work under the floor and to the joists shield in the ceiling. Overall height of Mobile Home Solid Fuel heater and its chimney shall not be less than 10' (3.0 M) or more than 20' (6.0 M).

8. Follow installation clearances as illustrated for mobile homes on page 4.

Warning: It is important that no ceiling or floor joists be cut when installing either the fresh air vent or chimney package.

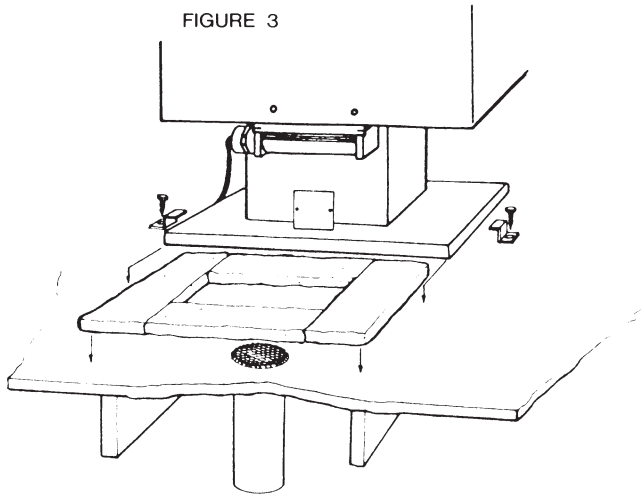
FRESH AIR INSTALLATION

1. Place the stove in its approximate desired location on the stove pad. Drop a plumb line from the ceiling so it is centered on the top flue outlet. Mark the spot lightly on the ceiling and check for the ceiling rafters within the required area as outlined in the chimney manufacturers instructions for minimum clearances to combustibles.

FRESH AIR-PEDESTAL MODEL

1. Mark the corners of the base of the stove and remove the stove from the stove pad.
2. A 4 1/8" (105mm) hole should be cut near the center of the pedestal providing no floor joists are cut. You may find it necessary to move the stove slightly so neither floor or ceiling joists are cut. Cutting a template from the cardboard packaging and drawing the top and bottom sizes on it may help to determine the proper location.
3. Drop the 4" (100 mm) piping, from the mobile home kit, through the hole in the floor making sure the pipe passes below the floor joists. Fasten the flange to the floor with the sheet metal screws supplied. Continue with 4" vent pipe to and through the mobile home skirt to the outside.
4. Place the fiberglass insulation inside the marked area and cut away the fiberglass which covers the fresh air intake. (See Figure 3).
5. Place stove onto the marked location and secure with provided hold down clips and bolts. Trim excessive fiberglass around base with a sharp knife.

FIGURE 3



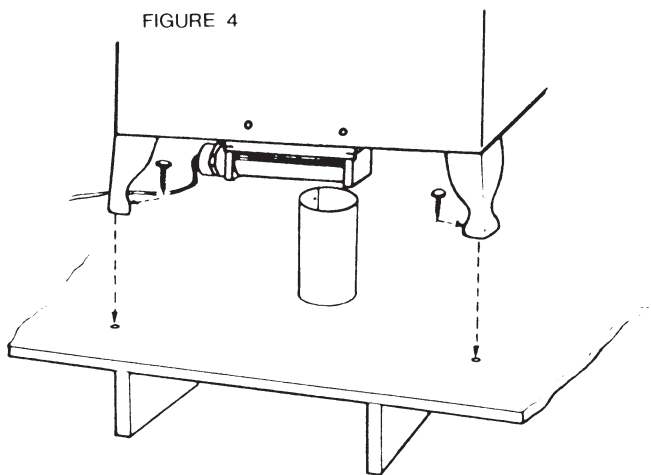
FRESH AIR — LEG MODEL

1. Mark the corners of the legs and remove the stove from the stove pad.
2. Mark a criss-cross between the leg marks to find the centre of the stove and mark the intersection point.
3. Measure back 2" from this intersection point. This is the centre of the fresh air inlet. Cut a 4 1/8" hole at this point providing no floor joists are cut. Relocating the stove may be necessary.
4. Place stove back on the marked position and secure the unit with the provided hold down bolts.
5. Raise the 4" (100 mm) pipe up through the floor and into the collar on the bottom of the stove and secure with one of the sheet metal screws provided. Caulk around the pipe from under the floor to seal any gaps. See figure 4.

NOTE: If installing fresh air into a 2300 in an airtight home, 4" aluminum pipe, elbows and outside hood may be installed directly to the stove.

Periodically check that the fresh air intake is not blocked with debris. This is especially important in winter when snow may build up along mobile home skirt reducing the fresh air intake.

FIGURE 4



Mobile Home Chimney Installation

(L Vent pipe must be used)

Locate the stove considering both floor and ceiling construction. Outside air intake vent and chimney must pass through the mobile home floor and ceiling respectively without interrupting structural forms. See outside air vent installation instructions.

The first section connector pipe must be fastened to the stove collar with 2 sheet metal screws.

1. Mark location on ceiling and roof through which the chimney will pass, if necessary alter stove location to allow clear passage of chimney through ceiling joist. Install joist protectives and fire stop. Clear insulation away from chimney. A trim collar may be added at the ceiling if desired.

2. After installing chimney section and necessary supports, place roof flashing over the chimney and nail the upper edge and sides with 1" (25 mm) roofing nails, leaving the lower edge unfastened. Seal the nail holes with mastic, then cover the upper edge with roofing material. Install the storm collar and apply mastic around the connection.

Install spark arrestor cap.

3. The chimney must extend at least 3' (1.0 M) above the part of the roof through which it passes and must be at least 2' (600 mm) above any roof or adjacent building within 10' (3 M) horizontally. Top chimney sections must be removed to allow a maximum 12' (3.6 M) clearance to ground level for transportation purposes.

IMPORTANT PRECAUTIONS

Important: A source of fresh air must be provided into the room.

Your stove has been designed to burn clean and efficiently. Failure to operate as described in this manual will result in poor combustion with subsequent smoking, creosote build up and unsatisfactory heat production.

Do not store combustible materials within 48" of stove. This stove is designed to operate with the door closed only.

Caution: This stove is designed to burn wood only. DO NOT burn coal. Open door slowly to allow wood gasses to escape up the chimney. DO NOT burn garbage. NEVER use gasoline, lantern fuel, kerosene, engine oil, charcoal lighter fluid or similar fluids to start or freshen up a fire. Keep all such liquids well away from heater while in use.

DO NOT burn salt water driftwood as it will corrode the heater.

During operation if any parts of the heater or pipe starts to glow, the stove is in an overfired condition. Stop adding fuel immediately. Close the door and draft controls completely until glowing is eliminated.

For your protection install a smoke alarm near the heater.

To season your new stove and cure the paint, build a low fire with newspaper and kindling lasting about two hours. An odor may be noticed during the curing process but will disappear quickly. Your stove is now ready for normal use.

STOVE OPERATION

*** Important** — Carefully read and understand this section before starting a fire. Call your dealer if you have any questions.

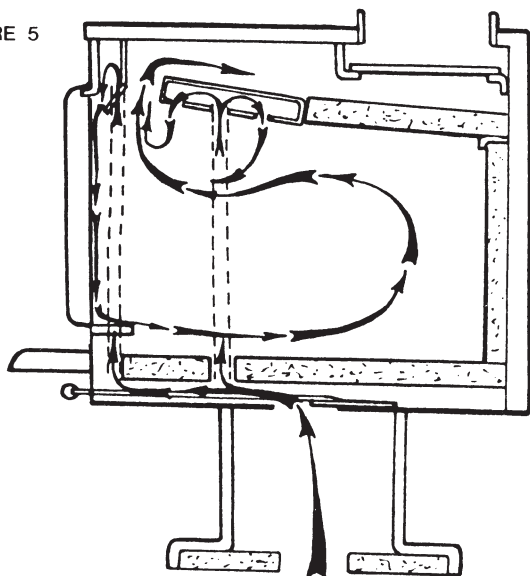
NOTE: Build small fires at first to allow the paint and firebrick to cure. An odor may be noticed during the curing process but will disappear quickly.

Important: Fasten 21017 cover plate onto rear of pedestal when installing stove with fresh air kit. (See Figure 3). Page 5.

Air Intake Control and Glasswash

Open the air intake control by sliding the control lever located below the ash catch of the unit, fully to the front. This allows the maximum amount of air into the combustion chamber. As the air intake control knob is pushed to the rear, less air is allowed into the firebox and the fire will burn slower. (See Figure 5).

FIGURE 5



Proper use of the damper controls only comes with experience. Weather conditions and the wood being used will affect the stove operation dramatically.

NOTE: When the air intake control is fully opened, air sweeps down across the glass creating a wash of air in front of the glass and blocks smoke from clouding it. As the air intake is closed, less air washes the glass and the glass may become smokey. (See Figure 5).

Operating Tips

To assist in the start up of a cold stove, place 3 or 4 large pieces of kindling (oriented from front to back in the firebox) up on the lower edge. This will allow combustion air to flow freely through the fuel and prevent the kindling from collapsing.

When loading fuel, open the door slowly. Backpuffing will result if door is opened too quickly.

NOTE: If the fire smokes when first lit it may be because of a downdraft or cold air in the chimney. It is necessary to force the heavy cold air back up the chimney. Light a torch of rolled newspaper and hold inside the firebox near the smoke outlet. This should eliminate the downdraft.

See section on chimney tips if the downdraft continues.

Control of Fire

If the air intake control has little effect on dampering the fire, probably the reason for it is the chimney has excess draft. (Normal chimney draft should be about .08" water column). See your dealer for excess draft remedy.

Continuous stove operation with excessive draft (chimney draft above .15") may result in warpage to the firebox and could void warranty.

See your dealer for chimney draft remedies.

Firing Your Stove

Build the fire directly on the stove floor. Do not elevate the fire on grates or andirons.

1. Open the air intake control as previously outlined, by pulling the knob fully to the front (See Figure 5).
2. Crumple about six sheets of newspaper on the brick base, cover with kindling and light. The fire will burn brightly. You will notice the fire dies down if the air intake is closed (pushed to the rear). Try closing the control to observe how the fire dies down but be sure to open it to maintain the start up fire.

3. As the kindling burns, add larger pieces of wood until the fire is established well enough to add logs. If the fire does not burn brightly, open the door a crack to allow more air into the firebox. Close door after fire has been established.

NOTE: The stove and chimney must first be brought up to temperature before a good chimney draft is established. This warming up could take from 1 to 1 1/2 hours at high firing.

4. Adjust the air intake control for the desired rate of burn.

Also see stove operation on this page.

Never load fuel above the top of the brick.

Chimney Cleaning

A dirty chimney will result in sluggish performance, a smoking stove and possibly a chimney fire.

Check your chimney regularly for creosote formation and clean as necessary. It is sound practice to consult a reputable chimney sweep and establish a regular maintenance schedule.

Disposal Of Ashes

Dispose of ashes by removing with a shovel from the stove and set on a non combustible surface. Dispose of ashes into a metal container and cover with a lid. Always store metal ash container on a non combustible surface away from combustible materials pending final disposal.

Glass Maintenance

This stove is equipped with Corning Pyro Ceram 5 mm glass which can only be broken by impact or misuse.

Do not slam stove door or impact the glass. When closing door make sure the logs or other objects do not protrude against the glass.

Never attempt to clean the glass while hot. Clean glass with a non abrasive glass cleaner available from your dealer. Abrasive cleaner may scratch and cause glass to crack.

Inspect the glass regularly. If you detect a crack or break, extinguish fire immediately and return door to your dealer for a glass replacement before further use.

Do not use substitute materials for glass replacement. Keep fires away from the glass.

Optional Blower

An optional blower is available for your stove. Order part # 11220.

STOVE MAINTENANCE

Preventive Maintenance

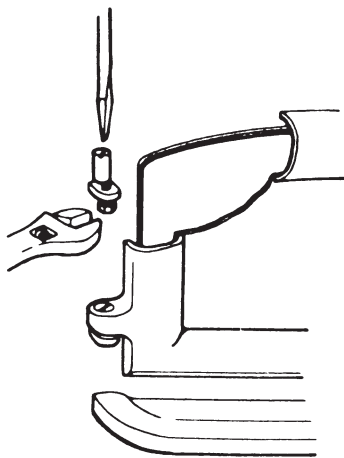
Check the door gaskets periodically for proper seal. Worn gaskets can cause air leakage into the stove resulting in lost efficiency or wasted fuel. One half inch door seal material or window gasketing can be purchased from your local wood stove dealer or Elmira Stove Works.

To renew the finish on your stove, we recommend the use of Elmira or Thermolux Hi heat aerosol paint available from your dealer. Before painting, rough up the paint with either fine steel wool or sandpaper. Follow painting directions on the side of the paint can. DO NOT paint stove when hot.

Door Adjustment

In case the door may require adjustment, you may loosen the nuts on the hinge pins and adjust to the desired fit with a slot screwdriver. Retighten nuts. (See Figure 6).

FIGURE 6



Care of Gold Plated Door

The optional Gold Plated door, under normal use will not tarnish. Clean door with windex type liquid glass cleaner and a soft cloth. Do not use polish or cleaners that contain abrasive agents to clean gold doors as they will mar and scratch the finish. Do not clean door when hot.

SELECTION OF WOOD

Wet unseasoned wood will give you more headaches than warmth. Green wood has too high of a moisture content for satisfactory use. For instance, you can waste as much as 40 percent of the potential heat just to drive the water out of wet wood in the form of steam. Use of the proper wood is your best safeguard against accumulation of creosote. Select hardwood that has been seasoned at least 6 months, preferably longer. Dry and well seasoned wood will not only minimize the chance of creosote formation but will give you the most efficient fire. Even dry wood contains approximately 10 percent moisture by weight, and should be burned hot enough to keep the chimney hot for as long as it takes to dry out, about one hour. It is a waste of energy to burn unseasoned wood of any kind.

Dead wood lying on the forest floor should be considered wet and requires full seasoning time. Standing wood can be considered to be about 2/3 seasoned. To tell if wood is seasoned enough to burn, check the ends of the logs. If there are cracks radiating in all directions from the center, it's seasoned. Also bark separation is a good indication. In addition, pick several small to medium sized pieces and rap them together. If they are dry, they will sound loud and clear like a baseball bat. A dull thud means they are still wet.

If your wood sizzles in the fire, even though the surface is dry, it may not be fully cured. Splitting of wood before it is stored reduces drying time. Wood should be stacked so that both ends of each piece are exposed to air if space is available, since most drying occurs through the cut ends than through the sides. This is true even with wood that has been split. Cover your wood pile with a tarp, plastic, tarpaper, sheets of scrap plywood, etc.

Do not extend any cover down the sides or it will trap moisture. Use smaller limbs or old shipping pallets to stack your wood on. This allows air to circulate under the stack and prevent your wood from contacting the ground.

CREOSOTE

When wood is burned slowly, it produces acids, which combines with available moisture to form creosote. The creosote vapors condense in the relatively cool chimney flue of a slow burning fire. As a result, creosote residue accumulates on the flue lining. As time passes the thickness of the creosote increases and the opening through the flue decreases through the chimney and

eventually could lead to a chimney fire. A slow burning or smoldering fire should not be maintained for any extended period of time. It is far better to prevent accumulation of creosote by periodically maintaining a briskly burning fire. This can be done with each new load of wood or on a once-a-day basis. It is usually the continuous burning of a smoldering fire that leads to the accumulation of creosote, resulting in a chimney fire. Creosote usually ignites by exploding. The quick, hot fire, causes a strong draft up the chimney and burns violently. A roaring sound may be produced and sparks will fly from the chimney. A chimney fire can be dangerous because sparks could land on the house roof and start a fire or heat can penetrate through the chimney to surrounding combustibles. It is a sound policy to have your chimney inspected and/or cleaned on a regular basis by a reputable chimney sweep.

For further information on using your heater safely and more on reduce clearances contact the following agencies or your local fire marshal's office.

In Canada: Canada Mortgage and Housing Corp., "Heating with Wood Safely" is available through any C.M.H.C. Office.

In United States, write National Fire Protection Association, "Using Coal and Wood Safely" N.F.P.A. No. HS10 1978. The address is Battery March Park Quincy, MA. 02269

To Validate Warranty

Please mail warranty card within ten days of purchase.

Your registration allows us to provide you with up to date stove information as available.

The serial number is located on a metal plate on the back of the stove.

WARRANTY

MODEL

SERIAL

YOUR NEW ELMIRA MODEL 2300 STOVE is covered by a prorated five year warranty against defects in materials and workmanship. The warranty does not cover glass, paint, gaskets, or plated surfaces.

The blower system is warranted for one year. Accident, abuse, misuse or shipping damages are excluded from this warranty. If any part of the stove becomes defective during the period of this warranty send part or stove, freight prepaid, to the address on cover for repair or replacement.