

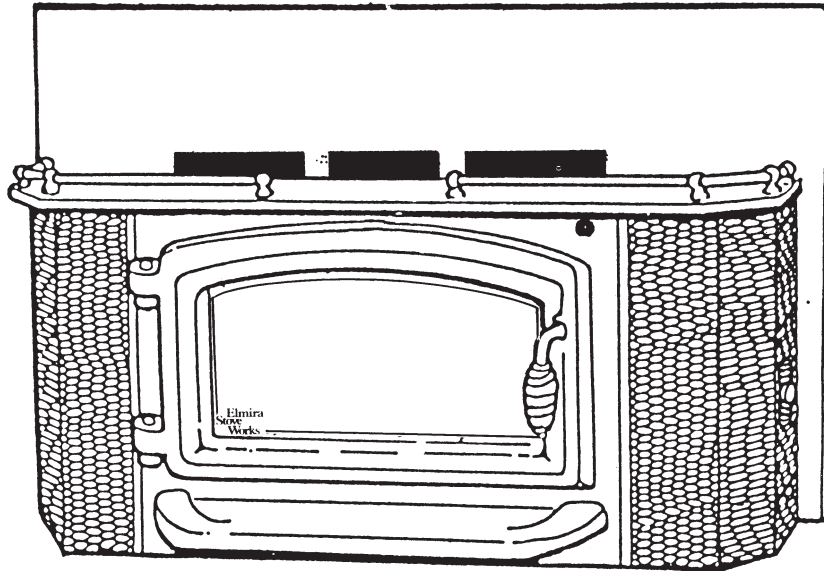
THE ELMIRA INSERT:
is listed to ULC Standard
S-628 & UL 907 by Warnock Hersey
Professional Services Ltd.



NOTE: WARNOCK HERSEY
N.R.B. NUMBER IS 219

Elmira Stove Works

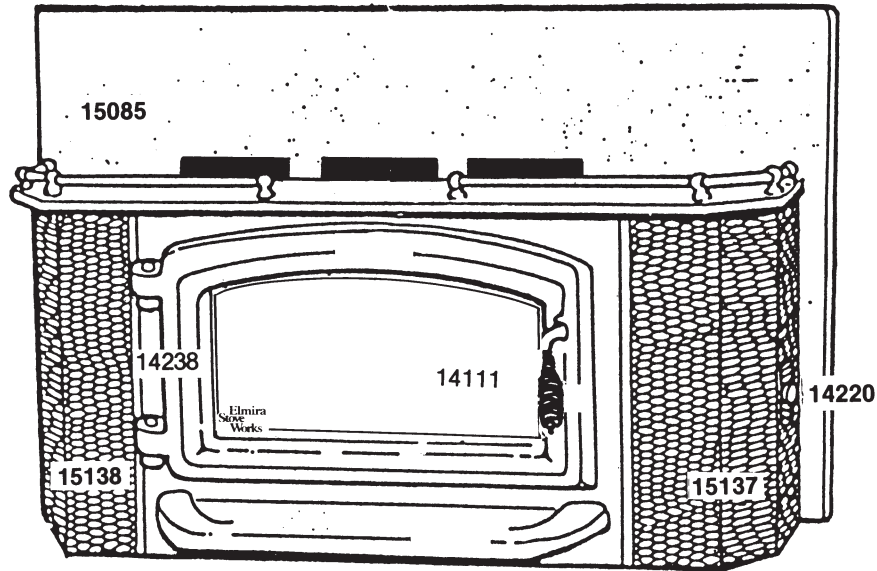
Owner's Manual for the FIREPLACE INSERT SERIES 1500



GENERAL INFORMATION

“SAFETY NOTICE: Your new Insert will give you many years of service and pleasure. However, to ensure safe and trouble free operation, be sure to read these instructions carefully before commencing installation. Failure to do so could result in a fire hazard. Consult your dealer or local fire building official if any questions arise.

**SAVE THESE INSTRUCTIONS
FOR FURTHER REFERENCE**



ELMIRA FIREPLACE INSERT PARTS CHART

14111	Glass Etched "ESW" Logo
14249	Spring Handle
H - 103	Levelling Bolts
15255	8" Flex Pipe (Direct Flue Hook Up)
14238	Door Frame with Liner + Gasket
14220	Blower
15085	Faceplate
15138	Left w/hole
15137	Right w/hole
14200	Air Intake Control Knob
14225	Ash Catch
15110	"L" Fire Brick
15111	"R" Fire Brick
14440	9½ x 31 Insulation
14395	28 x 41 Insulation
16188	19½ x 20 Insulation

INDEX

Parts Chart	1	Your Chimney	5
Introduction	2	Chimney Cleaning	5
General Information	2	Ash Removal	5
Preparing The Fireplace	2	Glass Maintenance	5
Installation Clearances	2	Blower	6
Preparing The Insert	2	Reversing Blower	6
Installation Instructions For The Direct Flue Connection	3	Stove Maintenance	6
Tools And Supplies Required For Installation	3	Door Adjustment	6
Installing The Insert	3	Care of Gold Plated Door	6
Final Assembly	4	Your Wood	6
Blower Operation	4	Creosote	7
Firing Your Insert	5	Warranty	7

INTRODUCTION

Your new Insert will give you many years of service and pleasure. However, to ensure safe and trouble free operation, be sure to read these instructions carefully before commencing installation. Failure to do so could result in a fire hazard. Contact your dealer or local fire or building official if any questions arise.

➔ **PLEASE READ THIS INSTALLATION MANUAL BEFORE BEGINNING** ➔

GENERAL INFORMATION

The Elmira Fireplace Insert is intended for use only in masonry fireplaces constructed in accordance with all national and local building code standards. It is not to be installed in factory built or zero-clearance fireplaces. The Elmira Insert (series 1500) requires minimum fireplace dimensions of 20 inches high, 27 inches wide, 18½ inches deep and 21 inches wide at the back of the fireplace for proper installation. The fireplace opening should not exceed 44 inches wide and 28 inches high. Do not remove bricks or mortar from the fireplace structure.

CONTENTS INCLUDE

- a) A two piece firebrick base
- b) One roll wire to tie insulation
- c) Two side fiberglass insulation pieces 19½" x 20"
- d) One fiberglass insulation piece 28" x 41"
- e) Two 9¾" x 31" wide insulation pieces to be placed between Insert and fireplace facing
- f) Ash catch
- g) One log retaining bar
- h) Two rear levelling bolts
- i) One set of gold plated rails and bolts
- j) One removable faceplate
- k) Two side screens

PREPARING THE FIREPLACE

- 1a) Clean out the inside of the fireplace (see maintenance instructions for handling of hot ashes).
- 1b) Check to be sure the chimney and fireplace are clean and in good condition. Have a qualified mason repair any structural damage or deterioration before installing the Insert. Mortar cracks in the fireplace system can cause air leaks resulting in a smoke filled room. (See section on chimneys).
- 1c) If your fireplace has an ash dump or outside air inlet, pack it with fiberglass insulation.

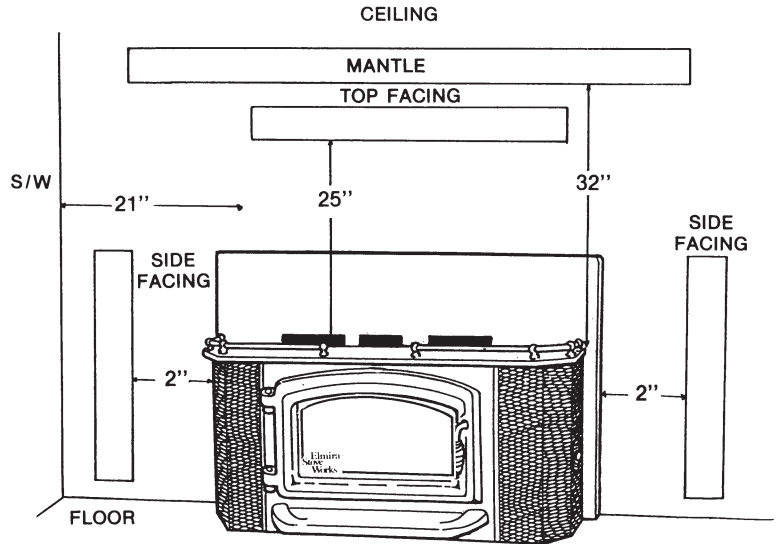
IMPORTANT

Remove the existing fireplace damper or lock in the open position.

INSTALLATION CLEARANCES

Minimum sidewall clearance 21"
Minimum top wood trim clearance 25"
Minimum side wood trim clearance 2"
Minimum mantle clearance 32"

(Figure 1)



Do not place combustible materials (i.e. drapes, furniture, bookshelves) within 36" to the front and 36" to the sides of the Insert.

A 3/8" piece of asbestos millboard or equivalent must extend 8" to each side of the Insert and 16" in front of the Hearth.

PREPARING THE INSERT

- 2a) Remove all contents from inside the Insert.
- 2b) Place one 19½" x 20" piece of fiberglass insulation on each side of the firebox.
- 2c) Place one 28" x 41" piece of fiberglass insulation to cover the top and back of the firebox. (see figure 2)

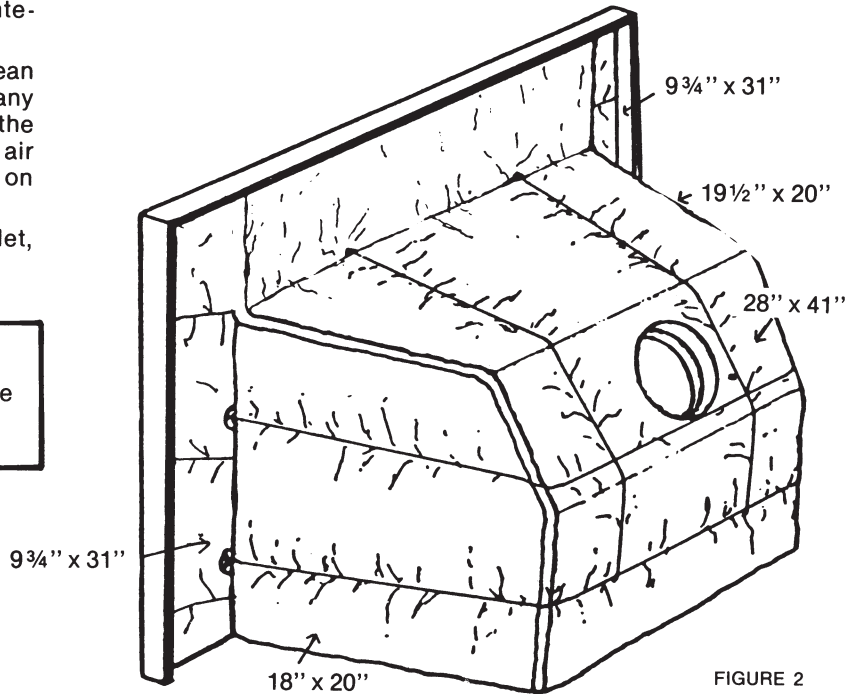


FIGURE 2

2d) Secure fiberglass insulation in place by tying wire (supplied) to the wire retainers on the side of the firebox. Loop wires around back of the firebox and fasten it to the retainers on the opposite side. Secure wires to the top retainers on firebox and fasten it to lower horizontal wire on the back of the firebox. (see figure 2).

2e) Cut a 8 1/8" round hole in the fiberglass at the flue position.

2f) Measure drop between the fireplace floor and fireplace hearth. If the floor and hearth are level, no levelling is required. If a drop does exist, adjust the rear levelling bolts to compensate for this drop. This procedure insures that the Insert is installed in a level position. Levelling bolts may be adjusted from inside the firebox with a regular slot screwdriver.

INSTALLATION INSTRUCTIONS FOR THE DIRECT FLUE CONNECTION

In most areas a direct flue connection must be installed. If it is required in your area, purchase and install a positive, direct flue package available from your dealer.

Because every fireplace is constructed differently the installation of the direct flue connection will require custom fitting.

Please review these instructions before beginning. Professional installation service is available through most dealers. Follow these instructions exactly to ensure a safe installation.

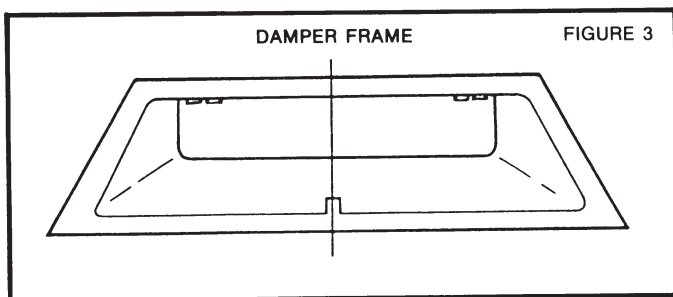
TOOLS AND SUPPLIES REQUIRED FOR INSTALLATION

Tin Snips	Electric Drill
Measuring Tape	1/8" & 5/32" bits
Marking Pen	Medium Philips Screwdriver
Medium Slot Screwdriver	5/8" wrench

The following steps outline the installation of the direct flue connection into the chimney flue.

3a) Remove or lock open existing fireplace damper.

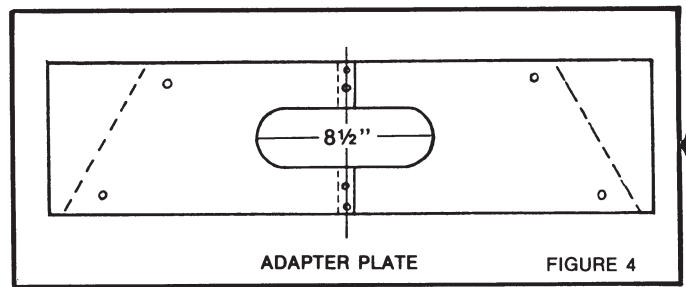
3b) Measure the cast damper frame located in the throat of the fireplace. (see figure 3).



3c) Remove any projections existing on the surface of the damper frame (e.g. mounting brackets, damper linkage, etc.). If projections can't be removed, notch out adapter plate at step 3E.

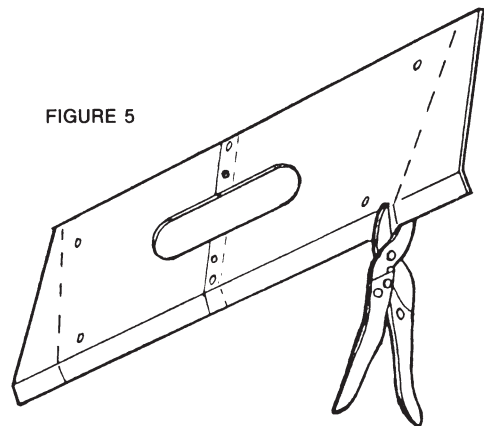
3d) Overlap the two adapter plates so that the oval hole in the center of the plates measure "

Drill two 1/8" pilot holes 2 1/2" from the edge of the bends and bolt the two pieces of metal together with two of the 1/2" x 8" self tapping screws provided. (see figure 4).



3e) Mark the center line on the adapter plate as shown on figure 6. Transfer the information from figure 3 to the plate.

3f) Cut along lines with a tin snip and notch out any projections if required. (Before cutting make sure that flanges of adapter plate are facing down.) (see figure 5)



3g) Trial fit the adapter plate to the damper frame and trim if necessary.

3h) Drill 6 - 5/32" holes through the adapter plate and cast damper frame so that the 1/2" x 8" screws will hold the plate to the frame. (You may use a stick cut to length to hold the adapter plate in place while drilling the 6 holes).

3i) Bolt the adapter plate securely in place. Then remove half of the adapter plate so you can see to install the flexpipe into the flue liner.

3j) Push oval end of flex pipe through the damper hole into the flue liner until the end of the round pipe measures 10" from the fireplace floor.

NOTE: Normally the smoke chamber of the fireplace between the damper and the flue tile is curved. You may have to prebend the flexpipe to fit.

3k) Rebolt the other half of the adapter plate securely in place.

INSTALLING THE INSERT

NOTE: Please read the following instructions thoroughly before proceeding.

Because of working space restrictions, you may prefer to change the order of these steps.

4a) Lift the Insert onto the hearth and walk it into the fireplace opening leaving a 4" space between the Insert and the fireplace opening.

4b) Slide the faceplate (part # 15085) down into position. Be sure the faceplate drops into place between the retaining 'V's on the side of the firebox. Fasten the faceplate to the cooking surface with 2 - 5/16" x 1" bolts.

4c) Place the 9½" wide fiberglass insulation strips between the faceplate and the fireplace facing. (see figure 2)

4d) Push the Insert against the fireplace facing making sure no air space is visible. It is important that the fiberglass insulation is well packed between the faceplate and fireplace facing. In most cases the fiberglass insulation provided is more than enough, however rough fireplace facings may require additional fiberglass. If more bat style fiberglass insulation is required, make sure it does not have paper backing. If air is drawn in around the faceplate it will result in heat loss from your house and may effect the draw of the chimney, a sluggish fire and/or a back puff smoking problem.

4f) If a direct flue connection has been installed reach into the firebox and through the flue and pull the chimney connector into the flue collar with the 9" spike handle provided. Remove the insert damper if you find it difficult to work around. A 5/16" wrench is required.

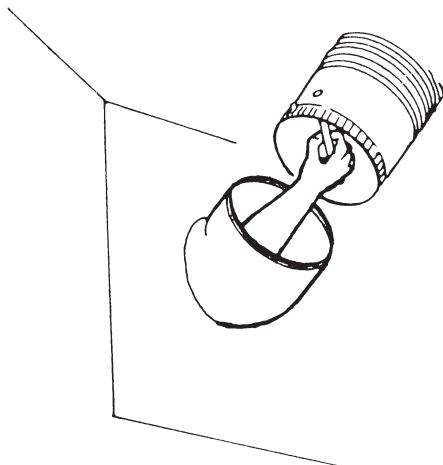
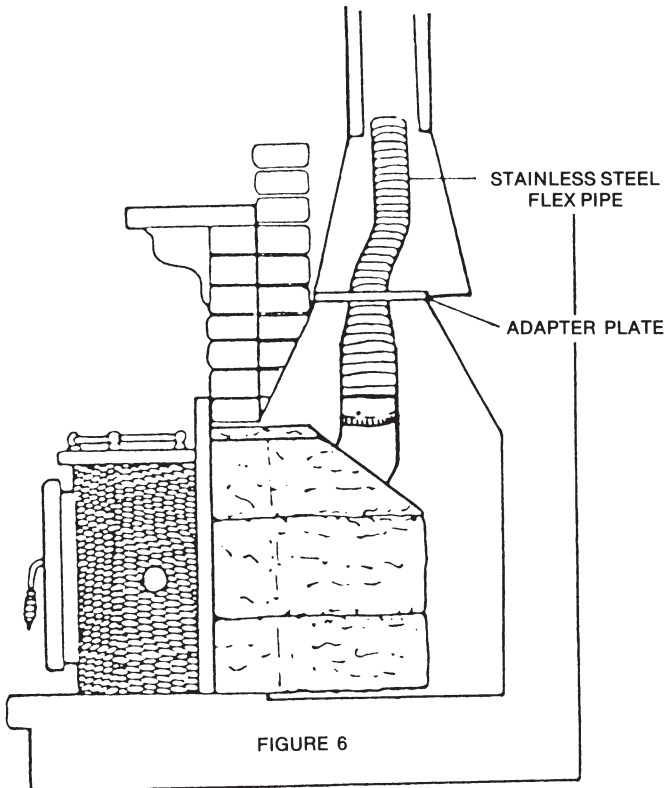


FIGURE 7

FINAL ASSEMBLY

5a) If marks have occurred during shipping or handling, now is a good time to retouch or repaint with the spray paint provided. Remove door. Mask all areas around the stove and follow directions on the spray can.

5b) After paint has dried thoroughly, install decorator rail set. Start at the back, leaving bolts loose until all rails are in place, then tighten. Install the air intake control knob.

5c) Install the ash catch (part #14225) beneath the door.

5d) Snap the decorative screens into channels tightly (louvers pointing down). If the screens slip down in the channels or rattle when the blower runs, remove screen and spring to a slightly more than 90 degree angle and reinstall. If the rattle should continue, line the vertical edges of the screen with flat gasketing available from your dealer.

5e) Push blower control knob extension onto shaft. Then install blower knob onto extension.

BLOWER OPERATION

Your Insert is equipped with a three speed blower (Hi-Med-Low). The centre position (Medium) is an automatic position and will only activate after the Insert is hot. When first starting your Insert, turn the switch to medium (centre), the blower will **not** function, this allows the Insert to accumulate heat. After approximately 1/2 hour you may turn the blower to low and heat will be distributed to the room. Later turn the blower to any speed for the desired output. When left at medium the blower will automatically shut off when the fire dies down.

NOTE: To have blower shut off automatically, set switch at medium.

Plug the power cord into a 110 volt receptacle **ONLY**.

NOTE: Make sure there is power at the receptacle.

IMPORTANT PRECAUTIONS

Do not store combustible materials within 48" of the Insert. Operate this Insert with the door closed only.

CAUTION: This Insert is designed to burn wood only. **DO NOT** burn coal. Open doors slowly to allow wood gasses to escape up the chimney. **DO NOT** burn garbage. Never use gasoline, lantern fuel, kerosene, engine oil, charcoal lighter fluid or similar fluids to start or freshen up a fire. Keep all such liquids well away from the Insert while in use.

DO NOT burn salt water drift wood as it will corrode the heater.

For your protection install a smoke alarm near your Insert.

If your house is well insulated and a furnace fan is running, smoke from the stove may be drawn into the room. Slightly open a window or door to solve this problem.

CAUTION: NEVER start a fire with volatile liquids such as gasoline or lighter fluid. Never leave aerosol containers or any flammable liquids on the cooking surface or near the fireplace.

FIRING YOUR INSERT

NOTE: Build small fires at first to allow the paint and brick to cure. An odour may be noticed during this curing process but will disappear quickly.

Open the air intake control by sliding the control knob located above the door fully to the right. This allows the maximum amount of air into the combustion chamber. As the air intake control knob is pushed to the left, less air is allowed into the firebox and the fire will burn slower.

NOTE: When the air intake control is fully open air sweeps down across the glass creating a wash of air in front of the glass and blocks smoke from clouding it. As the air intake is closed, less air washes the glass and the glass will become smokey. (see figure 8)

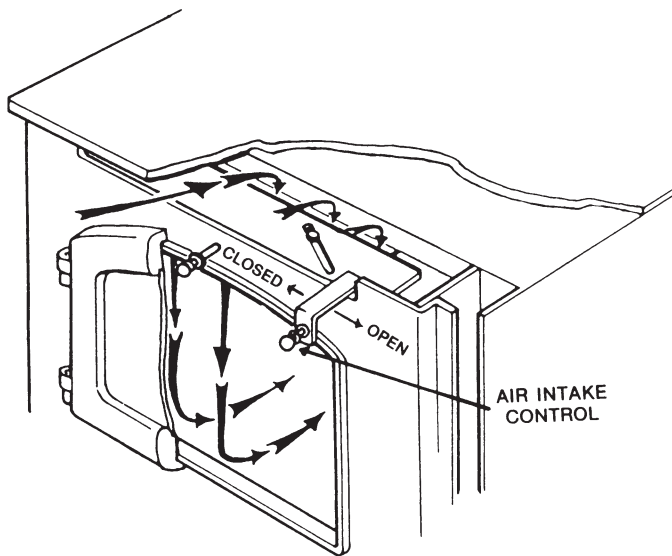


FIGURE 8

Build the fire directly on the firebrick base. Crumple about 6 sheets of newspaper, place on the firebrick and cover with kindling and light. As the kindling starts to burn add larger chunks of wood until the fire is established well enough to add logs.

When loading fuel, open the door slowly. Opening the door quickly will result in smoke backpuffing into the room.

Adjust the air intake knob for the desired rate of burn. More air (knob to the right) means a hot quick fire, less air (knob to the left) means a slower fire.

NOTE: If the fire smokes when first lit it may be because of a downdraft or cold air in the chimney. It is necessary to force the heavy cold air back up the chimney. Light a torch of rolled up newspaper and hold it in the Insert flue. This should eliminate the downdraft.

OPERATION SERVICE AND MAINTENANCE

YOUR CHIMNEY

Before installing your stove, check to be sure the chimney is lined with a clay flue tile, is clean, and in good repair.

The chimney is the most important element of safe, efficient, stove operation.

If the chimney does not have a clay liner, consult your dealer about installation of a stainless steel or refractory liner directly to the Insert.

Remember . . . A stove itself has no draft. Draft must be supplied by the chimney. If your stove continually smokes when lit, the chimney should be checked. If necessary, it may have to be repaired, extended or replaced. Check masonry chimneys for interior obstructions. Seal the cleanout door located near the bottom of the chimney.

If the chimney is in need of repointing between the bricks, air will enter the chimney through the mortar joints cooling the chimney, creating creosote problems and possibly a smoke filled room. If you are not sure about the condition of your chimney, consult your dealer or a qualified mason.

Some older masonry chimneys have flue areas of 8" x 12", 12" x 12", or as large as 16" x 16", and are probably unlined. These chimneys would take more than two hours to warm up and would probably smoke frequently. The solution would be to reduce the flue area by relining it or replace the chimney.

Trees, hills, overhangs or other houses near your chimney can cause a downdraft resulting in a smoke filled room. Regulations specify the chimney must extend 3' above the roof and 2' above anything within a 10' radius of the top of the chimney.

If you have any questions about the suitability of your chimney consult a professional mason, chimney sweep or your dealer.

CHIMNEY CLEANING

A dirty chimney will result in sluggish performance from the stove, a smoking stove and possibly a chimney fire.

Check your chimney regularly for creosote formation and clean as necessary.

It is sound practice to consult a reputable chimney sweep and establish a regular maintenance schedule.

NOTE: When sweeping the chimney with a direct flue connection installed it is important the connecting plate be cleaned by reaching up into the flue through the Insert with a scraper or rake device or removing the Insert and plate and reinstalling it.

ASH REMOVAL

Remove ashes from the Insert by shovelling cold ashes (never hot) into a metal container and cover with a lid. Always treat them as if they contain hot coals and store the container on a non-combustible floor away from combustible material pending final disposal.

GLASS MAINTENANCE

This stove is equipped with Corning Pyro Ceram 5 M.M. glass which can only be broken by impact or misuse.

Do not slam stove door or impact the glass. When closing door make sure that logs or other objects do not protrude against the glass.

Never attempt to clean the glass while hot. Clean the glass with a non abrasive glass cleaner available from your dealer. Abrasive cleaners may scratch and cause glass to crack.

Inspect the glass regularly. If you detect a crack or break extinguish the fire immediately and return door to your dealer for a glass replacement before further use.

Do not use substitute materials for glass replacement. Keep fires away from the glass.

BLOWER

1. If any part becomes defective be sure to replace with original component parts available through your dealer or Elmira Stove Works.
2. The blower is equipped with perma lube ball bearings and requires no lubrication. Should you hear a noise or notice a drop in air flow, unplug the power cord, remove the control knob and screen.
3. Unscrew the self tapping bolts holding the blower in place and remove blower and blower gasket.
4. Carefully check fan blades for foreign materials (eg. grease, dust, etc. or loose screws on housing.)
5. Clean fan blades with a small paintbrush and re-install.

NOTE: It is wise to remove the blower annually for cleaning.

REVERSING BLOWER

Your blower is factory installed on the right side of the Insert. If you would prefer the blower mounted on the left, remove the screens and unbolt the blower from the Insert. Unfasten the cord by blocking the right side of the faceplate up at least two inches. Pull cord down on each side of the faceplate to release it from the hole. Reverse the blower and screen and repeat the procedure on the left side.

You will notice that the screen louvers when reversed will be pointing up instead of down. You may order a new left hand screen by mailing a cheque (check) for \$25.00 to Elmira Stove Works. We will ship you a screen prepaid — # 15881.

For further information, directions or parts, see your dealer or write Elmira Stove Works at the address on the front. When ordering parts please supply the part number, serial number located on the plate behind the left hand screen and a description as shown on the parts chart in this manual.

PREVENTIVE MAINTENANCE

STOVE MAINTENANCE

Check the door gaskets periodically for proper seal. Worn gaskets can cause air leakage into the stove resulting in lost efficiency or wasted fuel. One-half inch door seal material or window gasketing can be purchased from your local wood stove dealer.

To renew the finish on your stove, we recommend the use of Elmira, Thermolux or Forest Hi heat aerosol paint available from your dealer. Before painting, touch up the paint with either fine steel wool or sandpaper. Follow painting directions on the side of the paint can. Do not paint stove when hot.

DOOR ADJUSTMENT

In case the door may require adjustment, you may loosen the nuts on the hinge pins and adjust to desired fit with a slot screwdriver. Retighten nuts. (see figure 9).

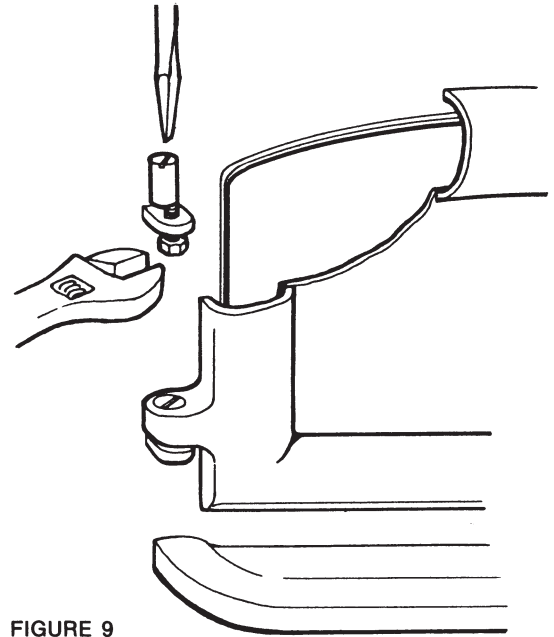


FIGURE 9

CARE OF THE GOLD PLATED DOOR

The optional Gold Plated door, under normal use will not tarnish. Clean door with windex type liquid glass cleaner and a soft cloth. Do not use polishes or cleaners that contain abrasive agents to clean gold doors as they will mar or scratch the finish.

YOUR WOOD

Wet unseasoned wood will give you more headaches than warmth. Green wood has too high of a moisture content for satisfactory use. For instance, you can waste as much as 40 per cent of the potential heat just to drive the water out of wet wood in the form of steam. Use of the proper wood is your best safeguard against an accumulation of creosote. Select hardwood that has been seasoned at least 6 months, preferably longer. Dry and well seasoned wood will not only minimize the chance of creosote formation but will give you the most efficient fire. Even dry wood contains at least 20 percent moisture by weight, and should be burned hot enough to keep the chimney hot for as long as it takes to dry it out — about one hour. It is a waste of energy to burn unseasoned wood of any kind.

Dead wood lying on the forest floor should be considered wet and requires full seasoning time. Standing wood can be considered to be about 2/3 seasoned. To tell if wood is dry enough to burn, check the ends of the logs. If there are cracks radiating in all directions from the center, it's dry. Also bark separation is a good indication. In addition, pick several small to medium sized pieces and rap them together. If they are dry, they will sound loud and clear — like a baseball bat. A dull thud means they are still wet. If your wood sizzles in the fire, even though the surface is dry, it may not be fully cured. Splitting of wood before it is stored reduces drying time. Wood should be stacked so that both ends of each piece are exposed to air if space is available, since more drying occurs through the cut ends than through the sides. This is true even with wood that has been split. Cover your wood pile with a tarp, plastic, tarpaper, sheets of scrap plywood, etc. Do not extend any cover down the sides or it will trap in moisture. Use smaller limbs or old shipping pallets to stack your wood on. This allows air to circulate under the stack and prevent your wood from contacting the ground.

CREOSOTE

When wood is turned slowly, it produces acids, which combine with available moisture to form creosote. The creosote vapors condense in the relatively cool chimney flue of a slow burning fire. As a result, creosote residue accumulates on the flue lining. As time passes the thickness of the creosote increases and the opening through the flue decreases. This interferes with the draft through the chimney and eventually could lead to a chimney fire. A slow burning or smouldering fire should not be maintained for any extended period of time. It is far better to prevent accumulation of creosote by periodically maintaining a briskly burning fire. This can be done with each new load of

wood or on a once a day basis. The use of a good chemical chimney cleaner can also help reduce the accumulation of creosote. It is usually the continuous burning of a smouldering fire that leads to the accumulation of creosote, resulting in a chimney fire. Creosote usually ignites by exploding. The quick, hot fire, causes a strong draft up the chimney and burns violently. A roaring sound may be produced and sparks will fly from the chimney. A chimney fire can be dangerous because sparks could land on the house roof and start a fire or heat can penetrate through the chimney to surrounding combustibles. It is a sound policy to have your chimney inspected and/or cleaned on a regular basis by a reputable chimney sweep.

INSERT WARRANTY

MODEL

SERIAL

YOUR NEW ELMIRA INSERT is warranted by the manufacturer against defects in materials and workmanship for a prorated period of five years. The warranty does not cover glass, paint, gaskets, firebrick, or plated surfaces.

The blower system is warranted for one year.

Accident, abuse, misuse or shipping damages are excluded from the warranty. If any part of the Insert becomes defective during the period of this warranty, send part or stove, freight prepaid to the address on the cover for replacement.

TO VALIDATE WARRANTY

Please mail warranty card within ten days of purchase.

Your registration allows us to provide you with up-to-date Insert information available.

The serial number is located on the metal plate behind the left hand screen.