

THE SEVERN

Operating Instructions for Freestanding Severn Stove

Consumer Protection Act 1987

As manufacturers and suppliers of cooking and heating products, in compliance with Section 10 of the Consumer Protection Act 1987, we take every care to ensure, as far as is reasonably practicable, that these products are so designed and constructed as to meet the general safety requirement when properly used and installed. To this end, our products are thoroughly tested and examined before despatch.

IMPORTANT NOTICE: Any alteration that is not approved by Aga-Rayburn, could invalidate the approval of the appliance, operation of the warranty and could also affect your statutory rights.

Control of Substances - Health and Safety Important

This appliance may contain some of the materials that are indicated below. It is the Users/Installers responsibility to ensure that the necessary personal protective clothing is worn when

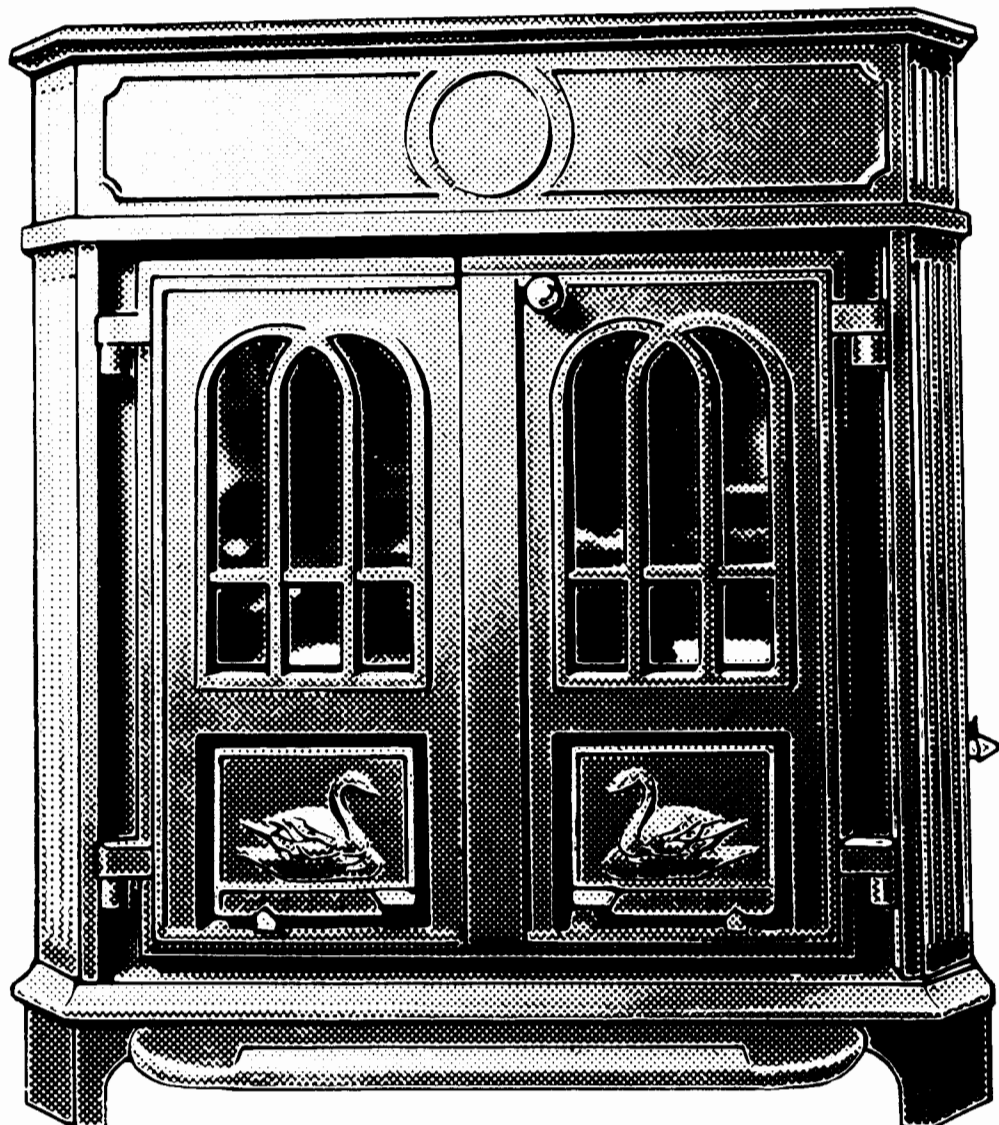
handling, where applicable, the pertinent parts that contain any of the listed materials that could be interpreted as being injurious to health and safety, see below for information.

Firebricks, Fuel beds, Artificial Fuels - when handling use disposable gloves.

Fire Cement - when handling use disposable gloves.

Glues and Sealants - exercise caution - if these are still in liquid form use face mask and disposable gloves.

Glass Yarn, Mineral Wool, Insulation Pads, Ceramic Fibre, Kerosene Oil - may be harmful if inhaled, may be irritating to skin, eyes, nose and throat. When handling avoid inhaling and contact with skin or eyes. Use disposable gloves, face-masks and eye protection. After handling wash hands and other exposed parts. When disposing of the product, reduce dust with water spray, ensure that parts are securely wrapped.



Recommended Fuels

Smokeless - Ancit, Centurion, Coalite (Nuts) Maxibrite, Phurnacite, Sunbrite (Doubles), Extracite, Pureheat, Blazeprite, Anthracite (Large Nuts), Welsh Dry Steam Coal (Large Nuts).

PETROLEUM COKE MUST NOT BE USED.

In addition to smokeless fuels the following fuels may be used but only outside smoke control areas: Selected bituminous housecoal (trebles/large nuts or double nuts). These fuels produce soot and should not be used if the appliance is used continually at a low setting.

The appliance user should check with their installer that the chimney has been examined and confirmed for soundness, the chimney has been swept prior to the stove installation and is free of any obstructions.

NOTE: Most types of logs and blocks may be used providing they have been dried and are well seasoned. Ideally soft wood should be burned in the daytime and hard wood overnight.

WARNING: Wet wood should not be used as creosote and tar-life deposits from the wood are increased to a level which can give rise to adverse operating conditions.

Fuels should be stored under cover.

NOTE: Refer problems about fuel stability or quality to fuel supplier.

IMPORTANT: FUELS SHOULD BE OF THE CORRECT SIZE FOR STOVES OTHERWISE THE APPLIANCE WILL NOT GIVE A SATISFACTORY PERFORMANCE.

TO LIGHT THE FIRE

- a. Open the firedoor. See Fig.1.
- b. Lay a liberal supply of wood/paper on the grate together with a small quantity of fuel and light the paper. Alternatively place four firelighters equi-spaced across the grate cover with fuel and light.
- c. When blazing, close the firedoors, Fig.1, and set both air control levers to maximum, Fig.1.
- d. With fire established open the firedoors, fill firebox up to the top of the front firebar and sloping upwards to the back.
- e. Close and lock the firedoors, Fig.1 with the operating tool. **This is essential to achieve continual safe running and efficient operation of the stove.**
- f. Adjust the air control slide, Fig.2 to give the desired rate of burning.
- g. Replace operating tool on its support cradle when not in use. See Fig.3.

Bituminous Fuel

If Bituminous fuel is to be burnt the following procedure **MUST** be adhered to:-

- 1. Fuel must be refueled to the maximum limit, i.e. at 30° incline from the front edge of the top firebar.
- 2. The doors must be left slightly ajar until the top of the fuelbed has flames passing through it.
- 3. The appliance doors should then be closed and locked.

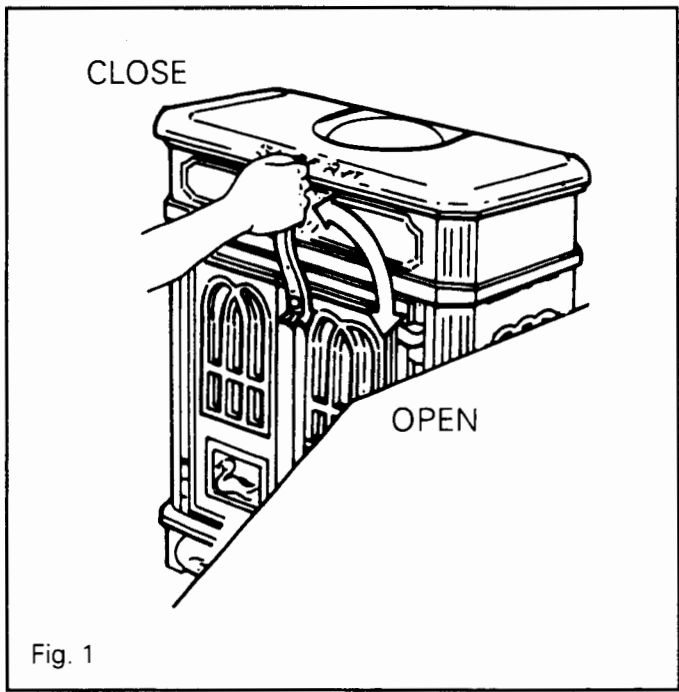


Fig. 1

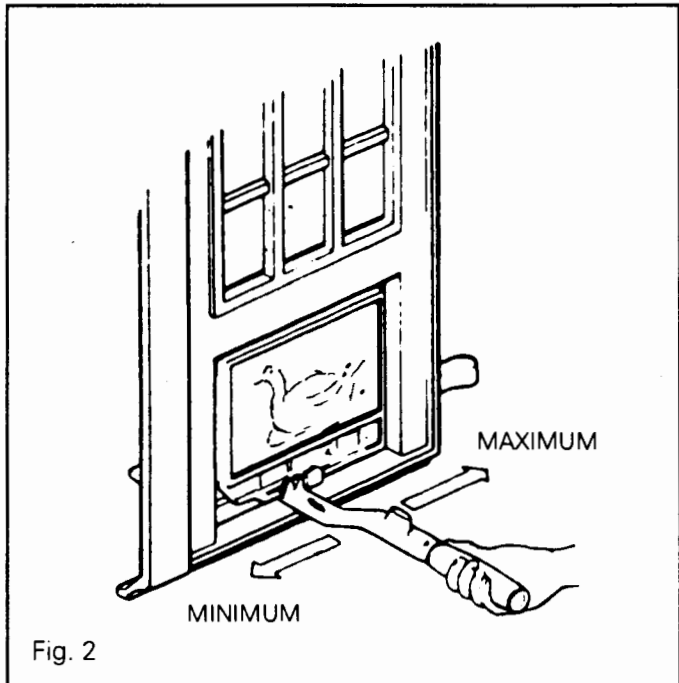


Fig. 2

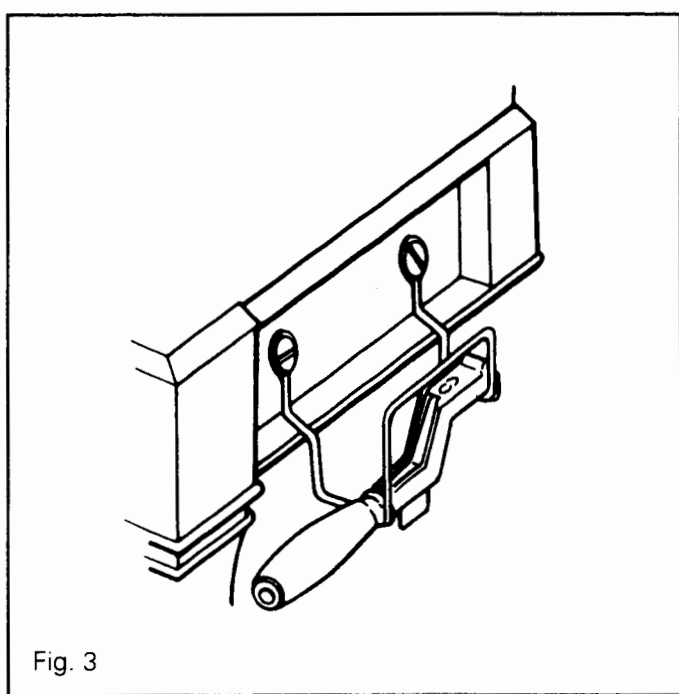


Fig. 3

WARNING:- IF THE DOORS ARE CLOSED TO EARLY, THEN PUFF-BACK CAN BE EXPERIENCED. THESE ARE SMALL EXPLOSIONS WHERE SMOKE COULD BE FORCED THROUGH THE DOOR SEAL OR AIR INLET INTO THE ROOM. THE APPLIANCE **MUST NOT** BE LEFT UNATTENDED OR OPERATED FOR LONG PERIODS WITH THE DOORS OPEN AS THIS COULD CAUSE PHYSICAL DAMAGE TO THE APPLIANCE.

TO REGULATE BURNING

Maximum burning rate is obtained with the R.H. air control slide Fig.2 moved as far as possible to the right and minimum to the left with the L.H. air control slide vice versa.

A fully fuelled fire will last four hours when burning solid fuel and two hours burning wood at the maximum recommended burning rate before refuelling is required. Avoid clinker formation which indicates over-firing and **always check that the fire door is locked.**

OVERNIGHT BANKING AND DAYTIME SLOW BURNING

De-ash thoroughly before refuelling and ensure there is a sufficient amount of hot fuel in the firebed before loading.

Fuel fire up to the top of the front firebar sloping the firebed upwards to the back of the firebox and temporarily set air control to maximum.

Close or nearly close the air control's slide, Fig.2 by moving them inwards. Experience will indicate the setting that provides the best results with the fuel being burnt.

NOTE: DIFFICULTY IN OBTAINING BANKING CAN SOMETIMES BE OVERCOME BY THE USE OF SMALLER SIZE FUEL, e.g. SUNBRITE SINGLES.

DE-ASHING AND ASH REMOVAL

NOTE: SELECTED BITUMINOUS HOUSECOAL (TREBLES/LARGE NUTS OR DOUBLE NUTS). THESE FUELS PRODUCE SOOT AND SHOULD NOT BE USED IF THE APPLIANCE IS USED CONTINUALLY AT LOW SETTING.

a. Riddle the bottomgrate by engaging the operating tool on the riddling shaft, Fig.4 and rotate/reverse it sharply for about 10 strokes by which time the fire should be free of ash. Riddle the grate at least twice daily (more often if required) and always before refuelling.

b. Open the locked fire doors with the operating tool, Fig.1.

c. Remove the ash pans with the operating tool, Fig.5.

NOTE: EMPTY THE ASHPANS AT REGULAR INTERVALS AND DO NOT ALLOW ASH TO ACCUMULATE IN THE ASHPANS UNTIL IT TOUCHES THE UNDERSIDE OF THE BOTTOMGRATE OTHERWISE IT WILL VERY SOON DESTROY THE BOTTOMGRATE.

The continued presence of shale, stone or clinker in the firebed will reduce burning rates.

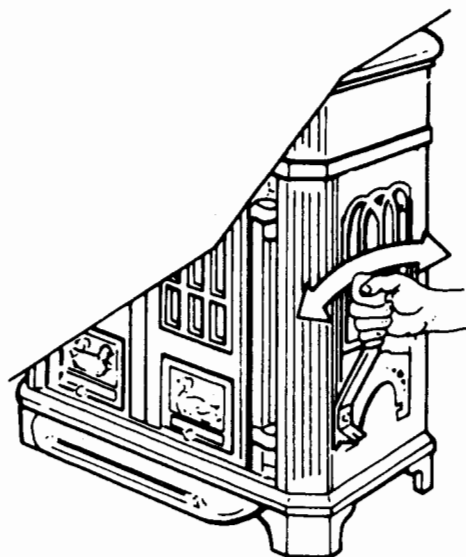


Fig. 4

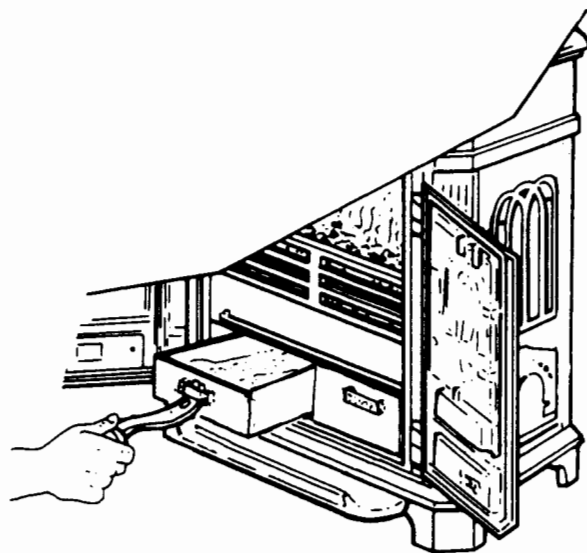


Fig. 5

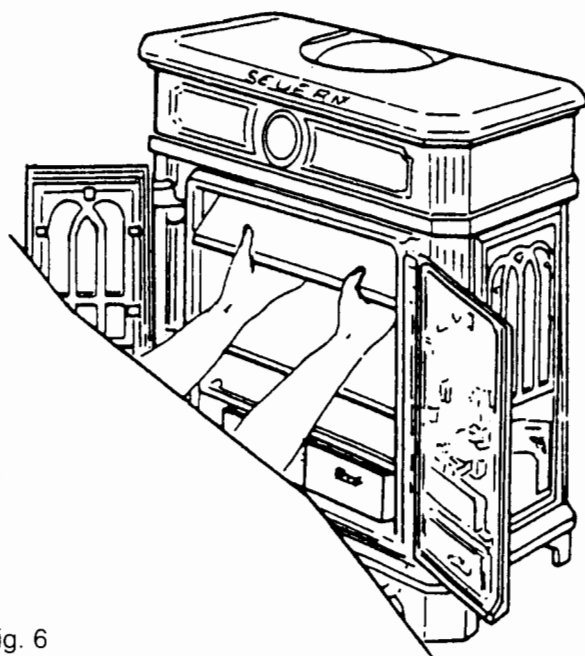


Fig. 6

To remove shale or stone from the firebed, open the firedoors and rake the fire upwards with a poker to bring the shale or stone to the top and remove with tongs. The type of fuel and the air control slide setting, govern the frequency of fuelling.

FUME EMISSION

WARNING: PROPERLY INSTALLED AND OPERATED, THIS APPLIANCE WILL NOT EMIT FUMES.

OCCASIONAL FUMES FROM DE-ASHING AND REFUELLING MAY OCCUR.

PERSISTENT FUME EMISSION MUST NOT BE TOLERATED.

IF FUME EMISSION DOES PERSIST, THEN THE FOLLOWING IMMEDIATE ACTIONS SHOULD BE TAKEN:

- Open doors and windows to ventilate room.
- Let the fire out or eject and safely dispose of fuel from appliance.
- Check for flue or chimney blockage, and clean if required.
- Do not attempt to re-light fire until cause of fume has been identified, if necessary seek professional advice.

APPLIANCE CLEANING (FLYASH REMOVAL)

SWEEP MONTHLY - SEE FIGS. 6,7a AND 7b.

The top of the throat plate and flue pipe outlet should be swept on a monthly basis to prevent flyash deposits restricting the flueway and prevent fume emission and reduced burning rates.

- Open the firedoors, remove the front firebars and bottom grate bars.
- (i) **Back Flue Outlet**
Withdraw baffle plate and frame through firedoors to expose the rear flue outlet. Fig.6.
Insert flexible flue brush into rear flue outlet and brush deposits towards firebox. Fig.7b.

(ii) **Top Flue Outlet**

Withdraw baffle plate and frame through firedoors to expose top flue outlet. Fig.6.

Insert flexible flue brush into top flue outlet and brush deposits downwards into firebox. Fig.7a.

- Replace front firebars and close firedoor.

FLUEWAY CLEANING

SWEEP ANNUALLY SEE FIGS.7a & 7b.

WARNING: NEGLECT OF CHIMNEY SWEEPING CAN LEAD TO DANGEROUS FUME EMISSION.

Top Flue Only

The chimney can only be swept through the appliance front.

Back Flue Only against Chimney

The chimney must be swept through the soot door above the appliance and the soot removed through the appliance.

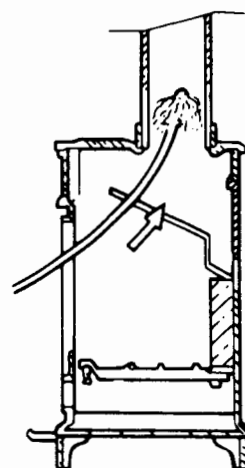


Fig. 7a — Top Flue Outlet

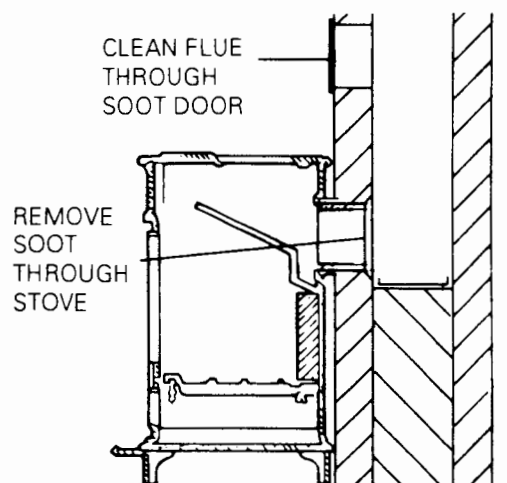


Fig. 7b — Rear Flue Outlet

Back Flue Only in Recess

The chimney is swept through the flue elbow cleaning door and the soot can be removed through the appliance.

- Open the firedoors and remove the front firebar and bottom grate bars.
- Withdraw baffle plate and frame through firedoors.
- Insert the chimney sweeping brush into the main flue via soot cleaning door entry or through the flue pipe where possible. Ensure the deposits are separately collected or fall into the firebox for removal. Replace the removed components using the reverse procedure of removal.

Sweep flue pipe with flexible brush as described under 'Appliance Cleaning - Flyash Removal'.

APPLIANCE CLEANING - GENERAL

Use a damp sponge or proprietary brand of cleaner to clean outside of stove.

NOTE: DO NOT CLEAN THE STOVE WHEN IT IS HOT.

With use, the inside face of the glass doors may become coated with dust and deposits. To clean the glass, allow it to cool and then wipe it with a damp cloth and polish with a dry one.

SERVICING

1. Always use a qualified service engineer when service is required.
2. An inspection of both firedoor seals should be made every heating season and replaced if necessary.

PRECAUTIONS

When not in use, remove all the fuel and ashes from the firebox. Leave the air control levers open to allow a constant stream of air to pass through the stove.

Replace individual bottomgrate bars as and when they burn out to ensure sufficient burning.

Replacement parts if required are always available through your local stockists.

SPARE PARTS

Part No.	Spares List Description	No. Required
S413A	Front Firebar - (upper)	1
S413	Front Firebar - (lower)	1
D353	Bottomgrate (upper)	7
D358	Bottomgrate (lower)	8
S437	Ashpan	1
S435	L.H. Side Firebrick	1
S436	R.H. Side Firebrick	1
S434	Rear Firebrick	1
S425	Baffle Frame	1
S426	Baffle Plate	1
S438	Firedoor Glass Panels	2 one set