



# BRECKWELL

## Model SP2047



This manual is subject to change without notice.

ALL PICTURES SHOWN ARE FOR ILLUSTRATIVE PURPOSES ONLY. ACTUAL PRODUCT MAY VARY DUE TO PRODUCT ENHANCEMENT.

**U.S. Environmental Protection Agency**  
Certified to comply with 2020 particulate emissions standards.

This unit is not intended to be used as a primary source of heat.

- SAVE THESE INSTRUCTIONS. THIS MANUAL WILL HELP YOU TO OBTAIN EFFICIENT, DEPENDABLE SERVICE FROM THE HEATER, AND ENABLE YOU TO ORDER REPAIR PARTS CORRECTLY. KEEP IN A SAFE PLACE FOR FUTURE REFERENCE.
- CAUTION! Please read this entire manual before you install or use your new room heater. Failure to follow instructions may result in property damage, bodily injury, or even death. Improper Installation Could Void Your Warranty!
- SAFETY NOTICE: If this heater is not properly installed, a house fire may result. For your safety, follow the installation instructions. Never use make-shift compromises during the installation of this heater. Contact local building or fire officials about permits, restrictions and installation requirements in your area.

This appliance is Certified for installation in the USA and Canada. Tested per UL 1482-2011 (R2015) and ULC-S627-00 (R2016). This appliance may be installed in a mobile home U.S. ONLY. Refer to markings on the appliance for additional information.

**⚠ CALIFORNIA PROPOSITION 65 WARNING:**

This product can expose you to chemicals including carbon monoxide, which is known to the State of California to cause cancer, birth defects and/or other reproductive harm. For more information, go to [www.P65warnings.ca.gov](http://www.P65warnings.ca.gov)



# INTRODUCTION

The instructions pertaining to the installation of your pellet heater complies with UL 1482 (R2015) & ULC-S627-2000 standards. This manual describes the installation and operation of the Breckwell, SP2047 pellet fired heater. This heater meets the 2020 U.S. Environmental Protection Agency's wood pellet fuel emission limits for wood heaters sold after May 15, 2020. Under specific test conditions this heater has been shown to deliver heat at rates ranging from 16,030 to 33,684 Btu/hr. This heater achieved a particulate emissions rate of 0.41 g/hr and an efficiency of 75%.

Combustible:	Premium Hardwood Pellets
Colors:	Black
Flue Pipe Diameter:	6" (153 mm)
Flue Pipe Type: (Standard Single Wall):	Black or Blued Steel 2100°F (650°C)
Minimum Chimney Height:	12' (3.7m)
Dimensions	
Overall: Depth x Width x Height:	24.4" X 18.9" X 42.4" (621 mm X 480 mm X 1078 mm)
Door Opening: Width x Height:	11.5" X 12.4" (293 mm X 315 mm) 11.7" X 11.4" (298 mm X 290 mm)
Pyroceramic Glass Door: (Viewing) Width x Height:	10.25" X 10.25" (261 mm X 261 mm) 10.25" X 4.9" (261 mm X 127 mm)

## FUEL CONSIDERATIONS

Your pellet stove is designed and tested with premium grade pellets that comply with Pellet Fuels Institute (PFI) standards. Minimum of 40 lbs density per cubic ft, 1/4" to 5/16" diameter, length no greater than 1.5", not less than 8,200 BTU/lb, moisture under 8% by weight, ash under 1% by weight, and salt under 300 parts per million). Pellets that are soft, contain excessive amounts of loose sawdust, have been, or are wet, will result in reduced performance. Store your pellets in a dry place. DO NOT store the fuel within the installation clearances of the unit or within the space required for refueling and ash removal. Doing so could result in a house fire.

## SAFETY PRECAUTIONS

- **IMPORTANT:** Read this entire manual before installing and operating this product. Failure to do so may result in property damage, bodily injury, or even death. Proper installation of this stove is crucial for safe and efficient operation.
- Contact your local building officials or authorities having jurisdiction to obtain a permit and information on any additional installation restrictions or inspection requirements in your area.
- Do not throw this manual away. This manual has important operating and maintenance instructions that you will need at a later time. Always follow the instructions in this manual.
- This appliance is designed for the use of pelletized fuel that meet or exceed the standard set by the Pellet Fuel Institute(PFI). The use of other fuels will void warranty.
- This appliance is a freestanding heater. It is not intended to be attached to any type of ducting. It is not a furnace.
- **HOT WHILE IN OPERATION.** Do not touch the hot surfaces of the stove. Educate all children on the dangers of a high-

### CAUTIONS:

- **Hot While In Operation. Keep Children, Clothing And Furniture Away. Contact May Cause Skin Burns.**
- **Do Not Use Chemicals Or Fluids To Ignite The Fire.**
- **Do Not Connect To Or Use In Conjunction With Any Air Distribution Ductwork Or System.**
- **Always Close The Door After The Ignition. Never Operate Heater With Door Left Open (Ajar).**

This heater is designed to burn only PFI Premium grade pellets. Do not use any type of grate to support the fuel. DO NOT BURN:

1. Garbage;
2. Lawn clippings or yard waste;
3. Materials containing rubber, including tires;
4. Materials containing plastic;
5. Waste petroleum products, paints or paint thinners, or asphalt products;
6. Materials containing asbestos;
7. Construction or demolition debris;
8. Railroad ties or pressure-treated wood;
9. Manure or animal remains;
10. Salt water driftwood or other previously salt water saturated materials;
11. Unseasoned wood; or
12. Paper products, cardboard, plywood, or particleboard. The prohibition against burning these materials does not prohibit the use of fire starters made from paper, cardboard, saw dust, wax and similar substances for the purpose of starting a fire in an affected wood heater.

Burning these materials may result in release of toxic fumes or render the heater ineffective and cause smoke.

temperature stove. Young children should be supervised when they are in the same room as the stove.

- Never use gasoline, gasoline-type lantern fuel, kerosene, charcoal lighter fluid, or similar liquids to start or 'freshen up' a fire in this stove. Keep all such liquids well away from the stove while it is in use.
- Do not place clothing or other flammable items on or near this stove.
- The fuel loading lid and stove top will be hot during operation; therefore, you should always use the provided tool or some type of hand protection when refueling your stove.
- **WARNING! DO NOT INSTALL IN SLEEPING ROOM.**
- **THE STRUCTURAL INTEGRITY OF THE MOBILE HOME FLOOR, WALL, AND CEILING/ROOF MUST BE MAINTAINED.**
- A working smoke detector must be installed in the same room as this product.
- Install vent at clearances specified by the vent manufacturer.

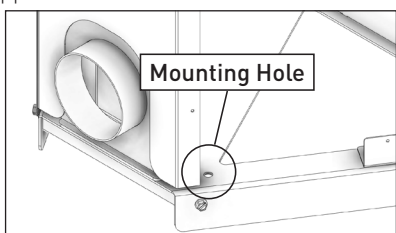
- Do not connect the vent to a vent serving any other appliance or stove.
- Do not install a flue damper in the exhaust venting system of this unit.
- This wood heater needs periodic inspection and repair for proper operation. It is against federal regulations to operate this wood heater in a manner inconsistent with operating instructions in this manual.
- Your stove requires periodic maintenance and cleaning (see "Maintenance"). Failure to maintain your stove may lead to improper and/or unsafe operation.
- Allow the stove to cool before performing any maintenance or cleaning. Ashes must be disposed in a steel container with a tight fitting lid, and moved outside immediately. The closed container of ashes should be placed on a non-combustible surface or on the ground, well away from all combustible materials, pending final disposal.
- Never try to repair or replace any part of the stove unless instructions for doing so are given in this manual. All other work should be done by a trained technician.
- The exhaust system should be checked monthly during the burning season for any build-up of soot or creosote.
- Use of outside air is required for Canadian installations on this unit, and may be used for tightly constructed homes in the USA.
- Do not operate your stove with the viewing door open. A safety concern may arise from sparks or fumes entering the room.
- Never block free airflow through the open vents of the unit.
- Keep foreign objects out of the fuel chamber.
- This appliance is not intended for commercial use.
- Not intended for primary heat source.
- CARBON MONOXIDE (CO) HAZARD. A buildup of CO fumes is toxic and can be fatal. Carbon Monoxide is a colorless, odorless gas produced during combustion of wood, coal, oil, gas and by other fuel burning appliances. It is important to have a proper draft and adequate replacement air ventilation so fumes are drawn out the chimney. Installed as instructed this stove is designed to be as safe as possible yet it is recommended to install a CO detector. Follow the manufacturer's recommendations for proper installation and use. It is recommended to be placed at table-top level (not near the ceiling) to avoid false alarms. Realize that devices other than a stove (i.e. motor exhaust) can trigger CO alarms.
- If alarm sounds:
  - Recognize the symptoms of CO poisoning (headaches, nausea & drowsiness).
  - Increase ventilation (open windows & doors).
  - Make sure stove doors and/or lids are closed and secured.
  - Check stove for smoking or puffing (open airflow controls).
  - Check chimney & connector pipe for leaks, blockage or down-draft conditions.
  - Check CO device for false alarm.

## INSTALLATION

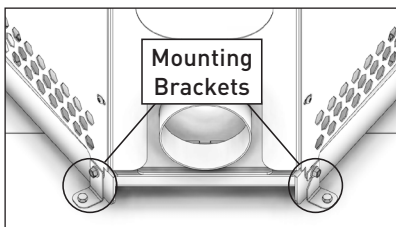
### MOBILE HOME INSTALLATIONS

Manufactured or Mobile home installations require that the a solid fuel burning appliance be attached to the floor of the mobile home. For this appliance there are two ways of doing this.

**Option 1:** A mounting hole is provided in the rear of the unit. Access the mounting hole through the rear of the unit or by removing the side panel (see illustration). You can then use the means necessary to attach the appliance to the floor.



**Option 2:** Use the two brackets included with the unit to secure the appliance to the floor. Slightly back the current bolts out of the rear of the unit. Slide the bracket into place and bolt the bottom flange to the floor. Retighten the top bolt to the rear of the unit.



When installed in a mobile home the unit also has to be connected to a source of fresh air from outside the home.

### POSITIONING THE STOVE

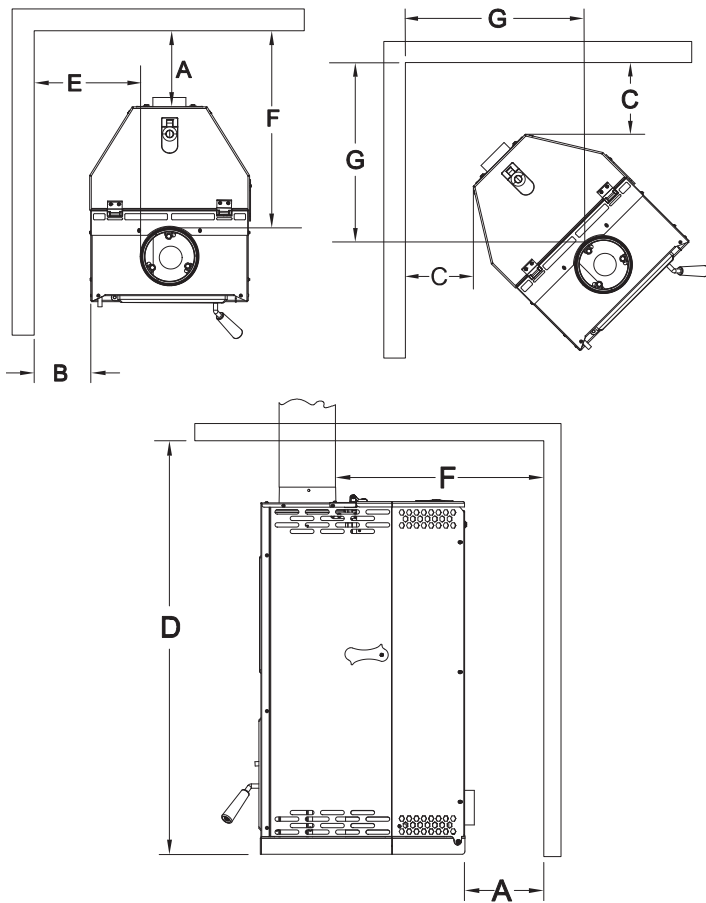
#### SAFETY NOTICE

- IF THIS STOVE IS NOT PROPERLY INSTALLED, A HOUSE FIRE MAY RESULT. TO REDUCE THE RISK OF FIRE, FOLLOW THE INSTALLATION INSTRUCTIONS.
- CONSULT YOUR MUNICIPAL BUILDING DEPARTMENT OR FIRE OFFICIALS ABOUT PERMITS, RESTRICTIONS AND INSTALLATIONS REQUIREMENTS IN YOUR AREA.
- USE SMOKE DETECTORS IN THE ROOM WHERE YOUR STOVE IS INSTALLED.
- KEEP FURNITURE AND DRAPES WELL AWAY FROM THE STOVE.
- NEVER USE GASOLINE, GASOLINE-TYPE LANTERN FUEL, KEROSENE, CHARCOAL LIGHTER FLUID, OR SIMILAR LIQUIDS TO START OR "FRESHEN UP" A FIRE IN THIS HEATER. KEEP ALL SUCH LIQUIDS WELL AWAY FROM THE HEATER WHILE IT IS IN USE.
- IN THE EVENT OF A CHIMNEY FIRE, PUSH THE AIR CONTROL FULL CLOSED TO DEPRIVE THE FIRE OF OXYGEN. CALL THE FIRE DEPARTMENT.
- A SOURCE OF FRESH AIR INTO THE ROOM OR SPACE HEATED SHALL BE PROVIDED WHEN REQUIRED.
- For Manufactured or Mobile Homes, a room heater and it's chimney shall not void the firestopping required between spaces of the mobile home when the room heater and it's chimney and the combustion air inlet are installed in accordance with the manufacturer's instructions.

It is very important to position the pellet stove as close as possible to the chimney, and in an area that will favor the most efficient heat distribution possible throughout the house. The stove must therefore be installed in the room where the most time is spent, and in the most spacious room possible. Recall that wood pellet stoves produce radiating heat, the heat we feel when we are close to a wood pellet stove. A wood pellet stove also functions by convection, that is through the displacement of hot air accelerated upwards and its replacement with cooler air. The appliance must not be hooked up to a hot air distribution system since an excessive accumulation of heat may occur. This appliance must never be installed in a hallway or near a staircase, since it may block the way in case of fire or fail to respect required clearances.

### CLEARANCES TO COMBUSTIBLES

It is of utmost importance that the clearances to combustible materials be strictly adhered to during installation of the stove. Clearances may only be reduced by means approved by a regulatory authority. Contact your local safety department or you may consult NFPA 211 if installing in the USA. Refer to the tables below in this section.

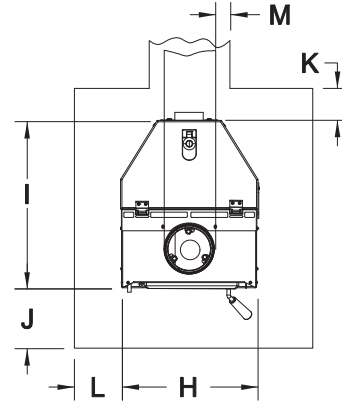


Single Wall Pipe			
Key	Stove to:	in	mm
A	Backwall	8	204
B	Side Wall	8	204
C	Corners	8	204
D	Ceiling Height	84	2134
E	Sidewall	15	381
F	Backwall	23	585
G	Corners	21.4	544

### FLOOR PROTECTION (EMBER PROTECTION)

This heater must have a non-combustible floor protector (ember protection) installed beneath it if the floor is of combustible material. If a floor pad is used, it should be UL listed or equal. The floor pad or non-combustible surface should be large enough to extend a minimum of 16" [407 mm] in front and 8" [204 mm] on each side of the heater. The area under a horizontal run of the chimney connector must also be protected; extending two (2) inches beyond the outer dimension of the horizontal connector.

Canadian installations require a minimum of 18" [450 mm] beyond the front of the unit and 8" [200 mm] beyond each side of the unit. A Floor Protector of 1/4" thick is recommended for this installation.



Floor Protection			
Key	Edge to Stove:	in	mm
H	Stove Width	19.4	493
I	Stove Depth	23.8	605
J	Front	16 (CAN 18)	407 (CAN 458)
K	Back	2	51
L	Side	8	204
M	Side of Venting	2	51

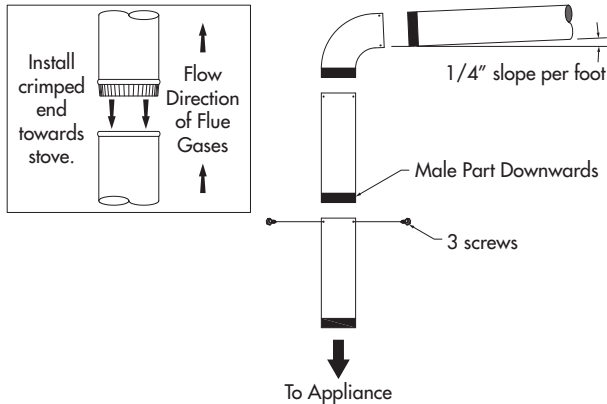
- Floor to ceiling height must be at least 7' (2.13m) in all cases.
- Do not place any combustible material within 4' (1.2m) of the front of the unit.
- Never store your fuel within the specified clearances or within the space required for refueling and ash removal.
- The clearance between the flue pipe and a wall are valid only for vertical walls and for vertical flue pipe.
- The chimney connector must not pass through an attic or roof space, closet or similar concealed space, a floor, or a ceiling.
- For Canadian installations, where passage through a wall, or partition of combustible construction is desired, the installation must conform to CAN/CSA-B365, Installation Code for Solid-Fuel-Burning Appliances and Equipment.
- A flue pipe crossing a combustible wall must have a minimum clearance of 18" (458 mm).
- To reduce flue clearances from combustible materials, contact your local safety department or consult NFPA 211.

### IMPORTANCE OF PROPER DRAFT

Draft is the force which moves air from the appliance up through the chimney. The amount of draft in your chimney depends on the length of the chimney, local geography, nearby obstructions and

other factors. Too much draft may cause excessive temperatures in the appliance. Inadequate draft may cause back puffing into the room and 'plugging' of the chimney. Inadequate draft will cause the appliance to leak smoke into the room through appliance and chimney connector joints. An uncontrollable burn or excessive temperature indicates excessive draft. Take into account the chimney's location to ensure it is not too close to neighbors or in a valley which may cause unhealthy or nuisance conditions.

### **CHIMNEY CONNECTOR (STOVE PIPE)**



Your chimney connector and chimney must have the same diameter as the stove outlet (6"). If this is not the case, we recommend you contact your dealer in order to ensure there will be no problem with the draft. They must also be a type suitable for burning solid fuel and must be in good condition and kept clean. The stove pipe must be made of aluminized or cold roll steel with a minimum thickness of 0.021" or 0.53 mm. It is strictly forbidden to use galvanized steel. Your smoke pipe should be assembled in such a way that the male section (crimped end) of the pipe faces down. Attach each of the sections to one another with three equidistant metal screws. Seal with furnace cement. The pipe must be short and straight. All sections installed horizontally must slope at least 1/4 inch per foot, with the upper end of the section toward the chimney. Any installation with a horizontal run of chimney pipe must conform to NFPA 211. You may contact NFPA (National Fire Protection Association) and request the latest edition of the NFPA Standard 211. To ensure a good draft, the total length of the coupling pipe should never exceed 8' to 10' (2.4m to 3.04m). (Except for cases of vertical installation, cathedral-roof style where the smoke exhaust system can be much longer and connected without problem to the chimney at the ceiling of the room). There should never be more than two 90 degrees elbows in the smoke exhaust system.

### **RECOMMENDATIONS FOR EXCESSIVE DRAFT**

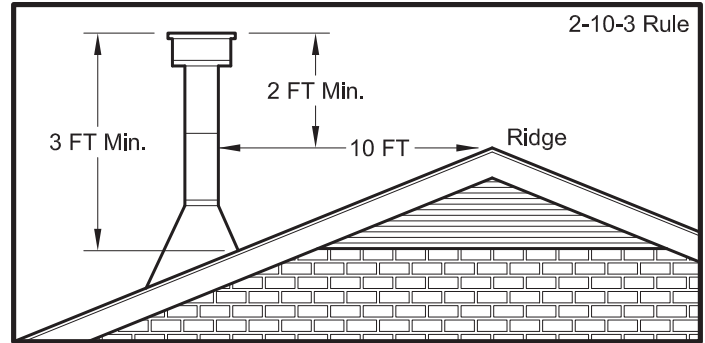
**SAFETY NOTICE: IF THIS UNIT IS NOT PROPERLY INSTALLED, A HOUSE / BUILDING FIRE MAY RESULT. FOR YOUR SAFETY, CONTACT LOCAL BUILDING OR FIRE OFFICIALS ABOUT PERMITS, RESTRICTIONS, AND INSTALLATION REQUIREMENTS FOR YOUR AREA.**



If experiencing excessive draft and/or fuel consumption with the Breckwell Traverse, the use of a barometric draft regulator is

recommended. Chimney draft is critical to the proper operation and control of this stove. Too much draft will cause fuel to be quickly consumed, create excessive heat, and potentially cause the stove to over fire. Proper draft for this stove will be measured with a draft gauge reading of between 0.04" to 0.05" w.c. The barometric draft regulator is designed to be easily adjusted and provide proper operating draft levels. For installation and operation instructions see the instructions included with the barometric draft regulator.

### **CHIMNEY**



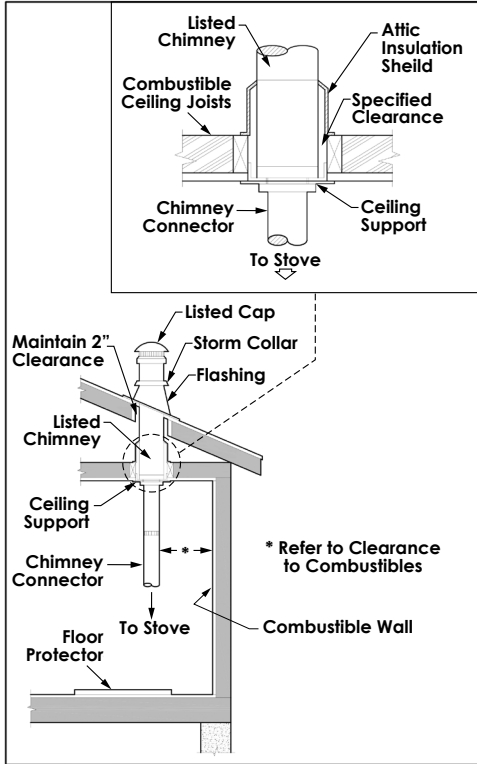
Your appliance may be hooked up with a 6" factory built or masonry chimney. If you are using a factory built chimney, it must comply with UL 103 or CAN/ULC-S629 standard; therefore it must be a Type HT (2100°F). It is extremely important that it be installed according to the manufacturer's specifications. If you are using a masonry chimney, it is important that it be built in compliance with the specifications of the National Building Code. It must be lined with fire clay bricks, metal or clay tiles sealed together with fire cement. (Round flues are the most efficient). The interior diameter of the chimney flue must not be smaller than the exhaust outlet of the appliance. A flue which is too small may cause draft problems, while a large flue favours rapid cooling of the gas, and hence the build-up of creosote and the risk of chimney fires. Note that it is the chimney and not the stove which creates the draft effect; your stove's performance is directly dependent on an adequate draft from your chimney.

The following recommendations may be useful for the installation of your chimney:

1. Do not connect this unit to a chimney flue serving another appliance.
2. It must rise above the roof at least 3' (0.9m) from the uppermost point of contact.
3. The chimney must exceed any part of the building or other obstruction within a 10' (3.04m) distance by a height of 2' (0.6m).
4. Installation of an interior chimney is always preferable to an exterior chimney. Indeed, the interior chimney will, by definition, be hotter than an exterior chimney, being heated up by the ambient air in the house. Therefore the gas which circulates will cool more slowly, thus reducing the build-up of creosote and the risk of chimney fires.
5. The draft caused by the tendency for hot air to rise will be increased with an interior chimney.
6. Using a fire screen at the extremity of the chimney requires regular inspection in order to ensure that it is not obstructed thus blocking the draft, and it should be cleaned when used regularly.
7. All joints must be sealed inside and out.
8. The exterior section of the chimney should be double or triple wall.

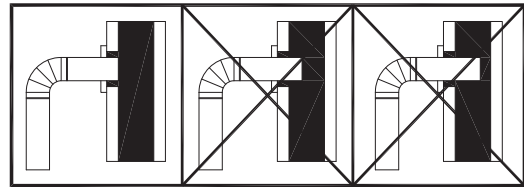
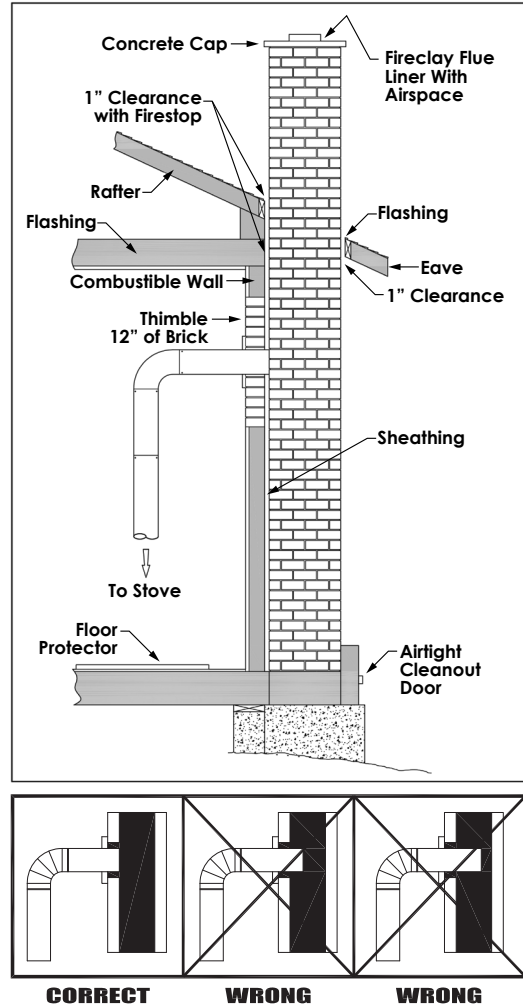
## FACTORY BUILT CHIMNEY

When a metal prefabricated chimney is used, the manufacturer's installation instructions must be followed. You must also purchase (from the same manufacturer) and install the ceiling support package or wall pass-through and "T" section package, firestops (where needed), insulation shield, roof flashing, chimney cap, etc. Maintain proper clearance to the structure as recommended by the manufacturer. The chimney must be the required height above the roof or other obstructions for safety and proper draft operation. Never substitute alternative materials for any of the manufacturer's specified components or complete the install without using all of the required components.



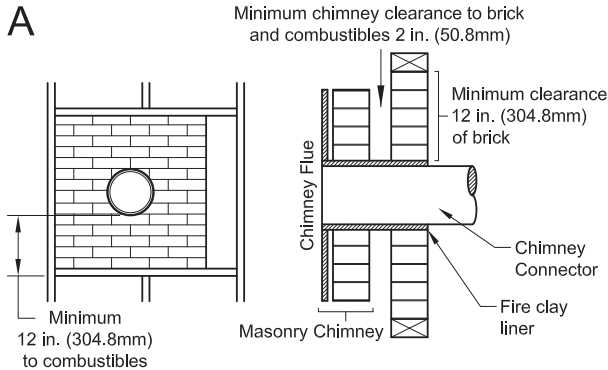
## MASONRY CHIMNEY

Ensure that a masonry chimney meets the minimum standards of the National Fire Protection Association (NFPA) by having it inspected by a professional. Make sure there are no cracks, loose mortar or other signs of deterioration and blockage. Have the chimney cleaned before the stove is installed and operated. When connecting the stove through a combustible wall to a masonry chimney, special methods are needed.

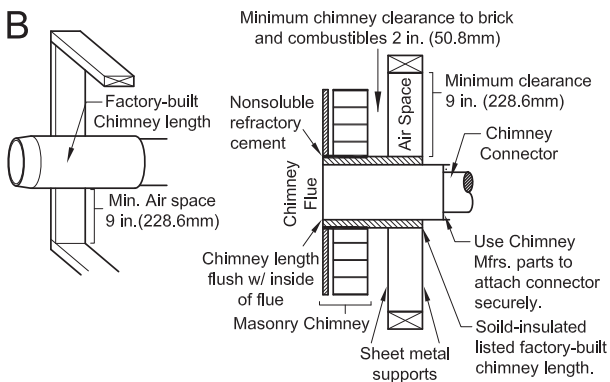


## COMBUSTIBLE WALL CHIMNEY CONNECTOR PASS-THROUGHS

**Method A.** 12" (305 mm) Clearance to Combustible Wall Member: Using a minimum thickness 3.5" (89 mm) brick and a 5/8" (16 mm) minimum wall thickness clay liner, construct a wall pass-through. The clay liner must conform to ASTM C315 [Standard Specification for Clay Fire Linings] or its equivalent. Keep a minimum of 12" (305 mm) of brick masonry between the clay liner and wall combustibles. The clay liner shall run from the brick masonry outer surface to the inner surface of the chimney flue liner but not past the inner surface. Firmly grout or cement the clay liner in place to the chimney flue liner.

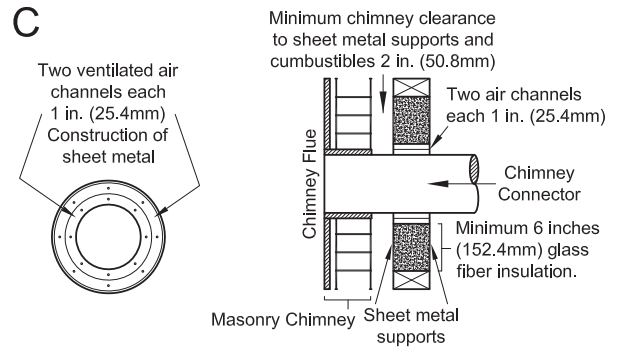


**Method B.** 9" (229 mm) Clearance to Combustible Wall Member: Using a 6" (153 mm) inside diameter, listed, factory-built Solid-Pak chimney section with insulation of 1" (26 mm) or more, build a wall pass-through with a minimum 9" (229 mm) air space between the outer wall of the chimney length and wall combustibles. Use sheet metal supports fastened securely to wall surfaces on all sides, to maintain the 9" (229 mm) air space. When fastening supports to chimney length, do not penetrate the chimney liner (the inside wall of the Solid-Pak chimney). The inner end of the Solid-Pak chimney section shall be flush with the inside of the masonry chimney flue, and sealed with a non-water soluble refractory cement. Use this cement to also seal to the brick masonry penetration.

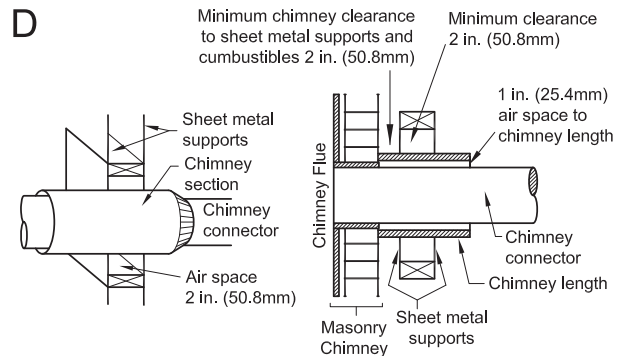


**Method C.** 6" (153 mm) Clearance to Combustible Wall Member: Starting with a minimum 24 gauge [.024" [0.61 mm]] 6" (153 mm) metal chimney connector, and a minimum 24 gauge ventilated wall thimble which has two air channels of 1" (26 mm) each, construct

a wall pass-through. There shall be a minimum 6" (153 mm) separation area containing fiberglass insulation, from the outer surface of the wall thimble to wall combustibles. Support the wall thimble, and cover its opening with a 24-gauge minimum sheet metal support. Maintain the 6" (153 mm) space. There should also be a support sized to fit and hold the metal chimney connector. See that the supports are fastened securely to wall surfaces on all sides. Make sure fasteners used to secure the metal chimney connector do not penetrate chimney flue liner.



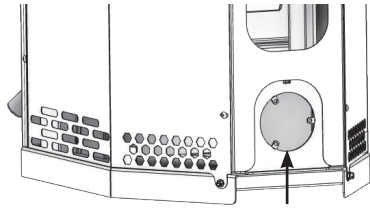
**Method D.** 2" (51 mm) Clearance to Combustible Wall Member: Start with a solid-pak listed factory built chimney section at least 12" (304 mm) long, with insulation of 1" (26 mm) or more, and an inside diameter of 8" (2 inches [51 mm] larger than the 6" [153 mm] chimney connector). Use this as a pass-through for a minimum 24-gauge single wall steel chimney connector. Keep solid-pak section concentric with and spaced 1" (26 mm) off the chimney connector by way of sheet metal support plates at both ends of chimney section. Cover opening with and support chimney section on both sides with 24 gauge minimum sheet metal supports. See that the supports are fastened securely to wall surfaces on all sides. Make sure fasteners used to secure chimney flue liner do not penetrate flue liner.



### NOTES:

- Connectors to a masonry chimney, excepting method B, shall extend in one continuous section through the wall pass-through system and the chimney wall, to but not past the inner flue liner face.
- A chimney connector shall not pass through an attic or roof space, closet or similar concealed space, or a floor, or ceiling.

## OUTSIDE COMBUSTION AIR

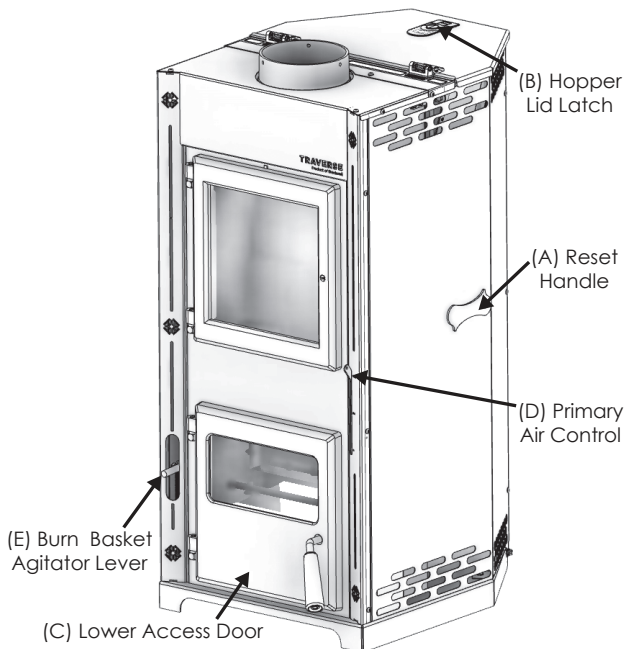


Outside Air Connection

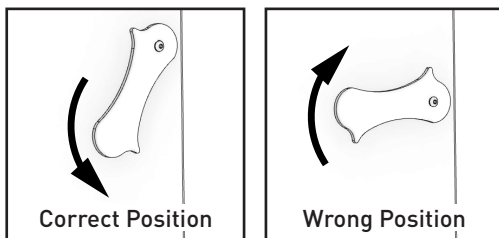
It is recommended that this appliance be installed with an outside air intake. This type of installation is also required for Canadian installations, mobile homes and in air tight houses with negative pressure problems. You can purchase this option through your heater dealer. Follow the installation instructions supplied with the air intake kit. Outside combustion air may be required if:

1. Your appliance does not draw steadily, smoke rollout occurs, fuel burns poorly, or back-drafts occur whether or not there is combustion present.
2. Existing fuel-fired equipment in the house, such as fireplaces or other heating appliances, smell, do not operate properly, suffer smoke roll-out when opened, or back-drafts occur whether or not there is combustion present.

## OPERATION



- A. The unit is equipped with a temperature sensitive fuel flap. This will stop the fuel flow if the unit gets too hot, and will also close off the bottom of the hopper from the fire chamber when the unit is running out of fuel. **Note: The reset handle should always be in the down position. If the handle remains in the up position it will not work properly and damage may occur.**



3. Opening a window slightly on a calm (windless) day alleviates any of the above symptoms.
4. The house is equipped with a well-sealed vapor barrier and tight fitting windows and/or has any powered devices that exhaust house air.
5. There is excessive condensation on windows in the winter.
6. A ventilation system is installed in the house.

## HEATING

Controlled combustion is the most efficient technique for wood pellet heating because it enables you to select the type of combustion you want for each given situation. The wood pellets will burn slowly if the heater air intake control is adjusted to reduce the oxygen supply in the combustion chamber to a minimum. On the other hand, wood pellets will burn quickly if the air control is adjusted to admit a larger quantity of oxygen in the combustion chamber. The air intake control on your heater is very simple. If you raise the air control lever up as far as it will go, it is fully open. If you push it down until it stops, the combustion air is reduced to the minimum setting. Real operating conditions may give very different results than those obtained during testing according to the overall quality of pellets used, the average size of the pellets, the length of the chimney, altitude and outside air temperature.

Before each fuelling, the control will have to be reset. Lift up the handle on the right side panel of the unit, to reset the control. You will hear a click when the control is reset. Make sure the reset handle returns to the down position. If the unit is running and needs to be refuelled, it **MUST** be refuelled before the hopper is empty. If you can see the fuel flap closed, you will have to let the unit completely cool down before refuelling.

- B. The hopper on this unit must be sealed at all times during operation. This is achieved with a gasketed hopper lid, and the lid is locked down with a compression latch. The latch has a button in the middle of it that when pressed the latch will open. After refuelling the lid **MUST** be closed and latched for proper operation.
- C. The lower access door has two main purposes. The first purpose is for lighting the stove. The second purpose is for accessing the ash pan.
- D. The primary air control is located on the lower right hand side of the face of the unit. If the control is lifted all the way up the unit damper is set to the maximum burn rate. If it is pushed all the way down it will reduce the combustion air to the minimum burn rate.
- E. The unit is equipped with a secondary burn basket in the combustion chamber. The basket can and will need to be agitated as needed. The lever for agitating the basket is located on the lower left hand side of the front of the unit.

## THE FIRST FIRES

Follow the ignition steps in this manual. Make sure that there's enough air circulation in the area of installation while curing the appliance. The odors could be present during the first 3 or 4 fires. We suggest opening a window during the curing process. People and animals with lung problems should take precautions during this time. Never start your stove outside. You will not be able to see if you are over heating.



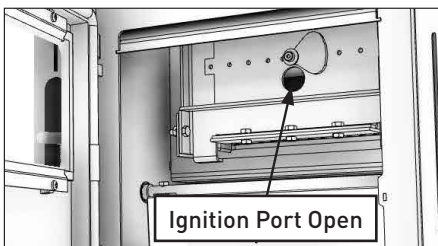
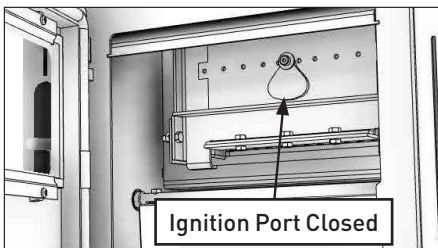
The first few fires in your new appliance need to be small so as to cure the fresh paint and preserve it's quality. To do so, first follow the lighting instructions in the "Ignition" section of this manual. After ignition, the primary air control needs to be left on the maximum setting for the first 30 - 40 minutes. After 30 - 40 minutes, close down the primary air control to a medium or medium low burn rate to maintain a small fire in the unit, doing so will properly cure the paint. Only fill the hopper with a minimum amount of fuel, approximate 10 lbs initially, then increase the quantity up to full hopper capacity on subsequent burn cycles.

**CAUTION: Never use gasoline, gasoline-type lantern fuel, kerosene, charcoal lighter fluid, or similar liquids to start or "freshen up" a fire in this heater. Keep all such liquids well away from the heater while it is in use. Hot while in operation. Keep children, clothing and furniture away. Contact may cause skin burns.**

## IGNITION

### CAUTION:

- Do not ever attempt to light the stove from the bottom of the primary burn grate. Always use the ignition port to start the unit.
- Do not ever attempt to light the stove with the upper chamber access door open.
- Do not ever attempt to light the stove with coals remaining in the fire pot drop tube or on the primary burn grate.
- Do not ever attempt to light the stove without first resetting the temperature sensitive fuel flap. Ensure the fuel flap is in the open position.
- Allow the unit to cool to the touch before refueling and lighting, if the unit runs out of fuel, or if the fuel level is below the fuel cut off flap.



1. Open the hopper lid and check to make sure that the fuel flap is in the open position. If it is not, use the handle on the right side of the unit to reset. Fill the hopper with premium pellets (approximately 45 pounds), and close and latch the hopper lid to ensure it is sealed.
2. After filling the hopper with pellets, make sure that the air control is set to the maximum setting.
3. Open the lower chamber door, and inspect the secondary burn basket for new unburned pellets. If there are any unburned

pellets that have fallen through the burn grate into the basket they must be removed before igniting the unit. Once the basket is cleaned out, swing the ignition port cover to the side and place a ZIP fire starter in the port.

4. Once the fire starter is ignited and burning, close the combustion chamber door. If the fire starter and pellets are slow to ignite, it may be necessary to leave the combustion chamber door cracked for 5-10 minutes until the unit is fully burning. NEVER leave the combustion chamber door open for longer than the first 10 minutes, this can cause unsafe burning conditions.
5. After the combustion chamber door is closed, allow the unit to burn on the maximum heat setting for 30-40 minutes before adjusting the damper and reducing the burn rate.

## OPERATION

- DO NOT open viewing door during operation.
- DO NOT open the lower combustion chamber door during operation. After the ignition process the door must remain closed and sealed while the unit is being operated. If the door is opened during operation it can cause unsafe burning conditions.
- DO NOT refuel the unit if the fuel level is down to where you can see the fuel flap.

During operation if the fuel level in the hopper gets down to the fuel cut off flap, you can not refuel the unit until it is completely cool. As the unit burns, coals will build up in the secondary burn basket, the basket will need to be agitated periodically to level out the coals. A good example of this is if the coals are building up close to the burn grate the basket needs to be agitated. NOTE: This appliance does not have a "quick" shutdown method. Once the appliance has been charged with fuel, ignited and burning, it will burn until all fuel has been consumed by combustion. Please note that once the fire does cease, the appliance may still be quite warm or HOT and could remain Hot for an undetermined amount of time depending on firing conditions. Experience burning your appliance, will tell you how many pellets to put in the hopper in order to burn for a desired period of time. This unit may run anywhere from 1 - 6 hours on a single 10 lb charge depending on the air adjustment setting and quality of fuel used. You may use the below primary air settings as a good starting point when burning your new appliance. Please note that these settings may vary depending on certain factors that may affect combustion.

Primary Air Settings (Slide Damper is located on the right side of stove) (Damper Adjustment: Sliding the damper up increases air)

Low	Damper lever pushed all the way down
Medium - Low	Damper lever moved 1/3 of the way up
Medium - High	Damper lever moved 2/3 of the way up
High	Damper lever lifted up to the maximum position.

**CAUTION:** Never alter the damper slide or the adjustment range to increase firing for any reason. Doing so could result in heater damage and will void your warranty.

### WARNINGS

- NEVER OVERFIRE YOUR STOVE. IF ANY PART OF THE STOVE STARTS TO GLOW RED, OVER FIRING IS HAPPENING. READJUST THE AIR INTAKE CONTROL AT A LOWER SETTING.
- ATTEMPTS TO ACHIEVE HEAT OUTPUT RATES THAT EXCEED HEATER DESIGN SPECIFICATIONS CAN RESULT IN PERMANENT DAMAGE TO THE HEATER.

## VISIBLE SMOKE

The amount of visible smoke being produced can be an effective method of determining how efficiently the combustion process is taking place at the given settings. Visible smoke consists of unburned fuel and moisture leaving your stove. Learn to adjust the air settings of your specific unit to produce the smallest amount of visible smoke.

## RELOADING

If you wish to continue burning your heater after the majority of the fuel has been consumed, make sure to add more fuel before the fuel cut off flap is visible. The fuel cut off functions with heat, as the pellets get lower in the fire pot the flap will close and not be able to be reset until the unit is completely cool. It is important to note that wood combustion consumes ambient oxygen in the room. In the case of negative pressure, it is a good idea to allow fresh air in the room, either by opening a window slightly or by installing a fresh air intake system on an outside wall.

## CREOSOTE - FORMATION AND NEED FOR REMOVAL

When wood is burned slowly, it produces tar and other organic vapors, which combine with expelled moisture to form creosote. The creosote vapors condense in the relatively cool chimney flue of a slow-burning fire. As a result, creosote residue accumulates on the flue lining. When ignited this creosote makes an extremely hot fire. The chimney connector and chimney should be inspected at least once every two months during the heating season to determine if a creosote build-up has occurred. If creosote has accumulated (3 mm or more), it should be removed to reduce the risk of a chimney fire.

## TO PREVENT CREOSOTE BUILD UP

- Always burn PFI certified premium grade pellets. This allows clean burns and higher chimney temperatures, therefore less creosote deposit.
- Leave the air control full open for about 5 min. every time you refuel the appliance to bring it back to proper operating temperatures. The secondary combustion can only take place if the firebox is hot enough.

- Always check for creosote deposit in your chimney once every two months and have your chimney cleaned at least once a year.

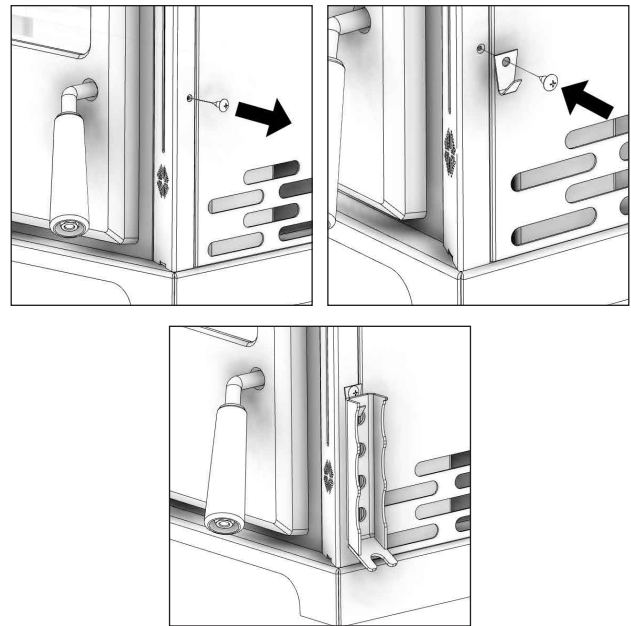
If a chimney or creosote fire occurs, close all dampers immediately. Wait for the fire to go out and the heater to cool, then inspect the chimney for damage. If no damage results, perform a chimney cleaning to ensure there is no more creosote deposits remaining in the chimney.

## TAMPER WARNING

This wood heater has a manufacturer-set minimum low burn rate that must not be altered. It is against federal regulations to alter this setting or otherwise operate this wood heater in a manner inconsistent with operating instructions in this manual.

## TOOL HOOK

Use a self drilling screw to attach the handle hook on the lower right hand side of the front of the unit.



# MAINTENANCE

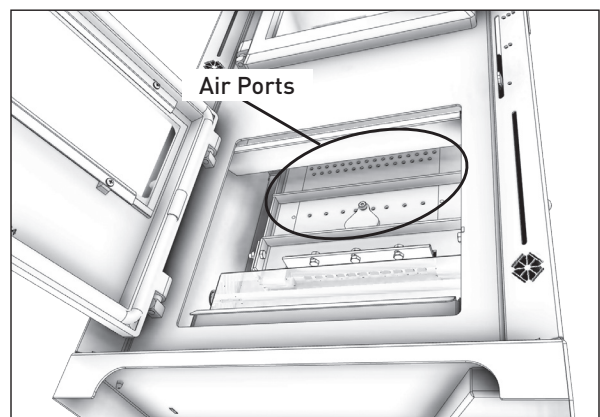
**CAUTION: Do not perform maintenance or cleaning on the unit until it has cooled to room temperature completely**

Your wood pellet stove is a high efficiency stove however, still requires that maintenance be performed on a regular basis. Maintenance is a vital key in maintaining your stove's efficiency, operation, and longevity. It is important to perform a visual inspection of the appliance every time it is emptied and cleaned, in order to ensure that no parts have been damaged, in which case repairs must be performed immediately. Inspect and clean the chimney and connector pipe periodically for creosote buildup or obstructions. Inspection should be done at least monthly during the heater season.

## SECONDARY AIR PORTS

Cleaning the Secondary Air Ports regularly will help keep your heater burning clean and efficiently. Remove any ash or creosote build-up from the ports as frequently as needed. A simple brush

with a small chimney sweep broom once a week will help reduce or prevent any large deposits from bonding to this surface which could cause premature deterioration of the firebox. Most Creosote formations here can be removed.



## **ASH DISPOSAL/ ASH PAN AREA**

Ashes should be removed daily or if they are within approximately an inch of the bottom of the secondary burn grate. The secondary burn grate should be agitated when ashes build up within approximately two inches of the primary burn grate. Always empty the stove when it is cold, such as in the morning. Never open the lower combustion chamber door to empty the ash pan while the unit is in operation, this could cause an overfire situation. Remove any accumulated ash or fallen pellets from the ash pan area. An Ash Vac greatly aids in this process and can be purchased from your local dealer. Ashes should be placed in a steel container with a tight fitting lid and moved outside immediately. The closed container of ashes should be placed on a non combustible floor or on the ground, well away from all combustible materials, pending final disposal. If the ashes are disposed of by burial in soil or otherwise locally dispersed, they should be retained in the closed container until all cinders have thoroughly cooled. Other waste shall not be placed in this container.

### **CAUTIONS**

- **ASHES COULD CONTAIN HOT EMBERS EVEN AFTER TWO DAYS WITHOUT OPERATING THE STOVE.**
- **KEEP ASH PAN AREA CLEAN.**
- **THE ASH PAN CAN BECOME VERY HOT. WEAR GLOVES TO PREVENT INJURY.**
- **NEVER BURN THE STOVE WITH THE ASH TRAP OPEN. THIS WOULD RESULT IN OVER FIRING THE STOVE, DAMAGE TO THE STOVE AND EVEN HOUSE FIRE MAY RESULT.**

## **SMOKE AND CO MONITORS**

Burning wood naturally produces smoke and carbon monoxide(CO) emissions. CO is a poisonous gas when exposed to elevated concentrations for extended periods of time. While the modern combustion systems in heaters drastically reduce the amount of CO emitted out the chimney, exposure to the gases in closed or confined areas can be dangerous. Make sure your stove gaskets and chimney joints are in good working order and sealing properly to ensure unintended exposure. It is recommended that you use both smoke and CO monitors in areas having the potential to generate CO.

## **GLASS**

- Inspect and clean the glass regularly in order to detect any cracks. If you spot one, schedule to replace immediately. Do not abuse the glass door by striking or slamming shut. Do not use the stove if the glass is broken.
- If the glass on your stove breaks, replace only with the glass supplied from your heater dealer. Never substitute other materials for the glass.
- To replace the glass, remove the nuts retaining the glass clips inside the door. Remove the clips and replace the damaged piece with a new one. Perform the procedure backwards after replacing. When replacing the glass, you should change the glass gasket to make sure you keep it sealed.
- Never wash the glass with abrasive cleaners or with a product that may scratch. Use a specialized product, available in the stores where pellet stoves are sold. The glass should be washed only when cold, NEVER CLEAN WHEN HOT.

## **GASKETING**

This unit's doors use a 1/2" diameter rope gasket. It is recommended that you check your gaskets twice a month during the heating season

and change the gaskets (which makes your stove air tight) once a year, in order to ensure good control over the combustion, maximum efficiency and security. To check for a proper seal, you should do a paper slip test. Do so by taking a thin piece of paper about the size and thickness of a dollar bill. Place the paper between the gasket and the sealing surface, then close and latch the door/lid. You should feel a resistance when tugging on the paper slip, which may vary, but should always have resistance. Perform this test on every side of the seal, top, bottom, left and right, if possible. If the paper slip pulls out with little or no resistance, you need to adjust the lid/door and/or replace the gasket. To change the gaskets, simply remove the damaged one, carefully clean the available gasket groove, apply a gasket cement sold for this purpose, and install the new gasket. When installing the gasket, never stretch the gasket. You may light up your stove again approximately 24 hours after having completed this operation.

**WARNING: Never operate the appliance without a gasket or with a broken one. Damage to the appliance or even house fire may result.**

## **PAINT**

Only clean your stove with a dry soft cloth that will not harm the paint finish. If the paint becomes scratched or damaged, it is possible to give your wood pellet stove a brand new look, by repainting it with a 1200° F heat resistant paint that can be purchased from your dealer. For this purpose, simply scrub the surface to be repainted with fine sand paper, clean it properly, and apply thin coats (2) of paint successively. Remember, if paint is applied to the stove in large amounts or over large spots, you need to follow the First Fires procedure described previously in this manual.

## **OFF SEASON MAINTENANCE**

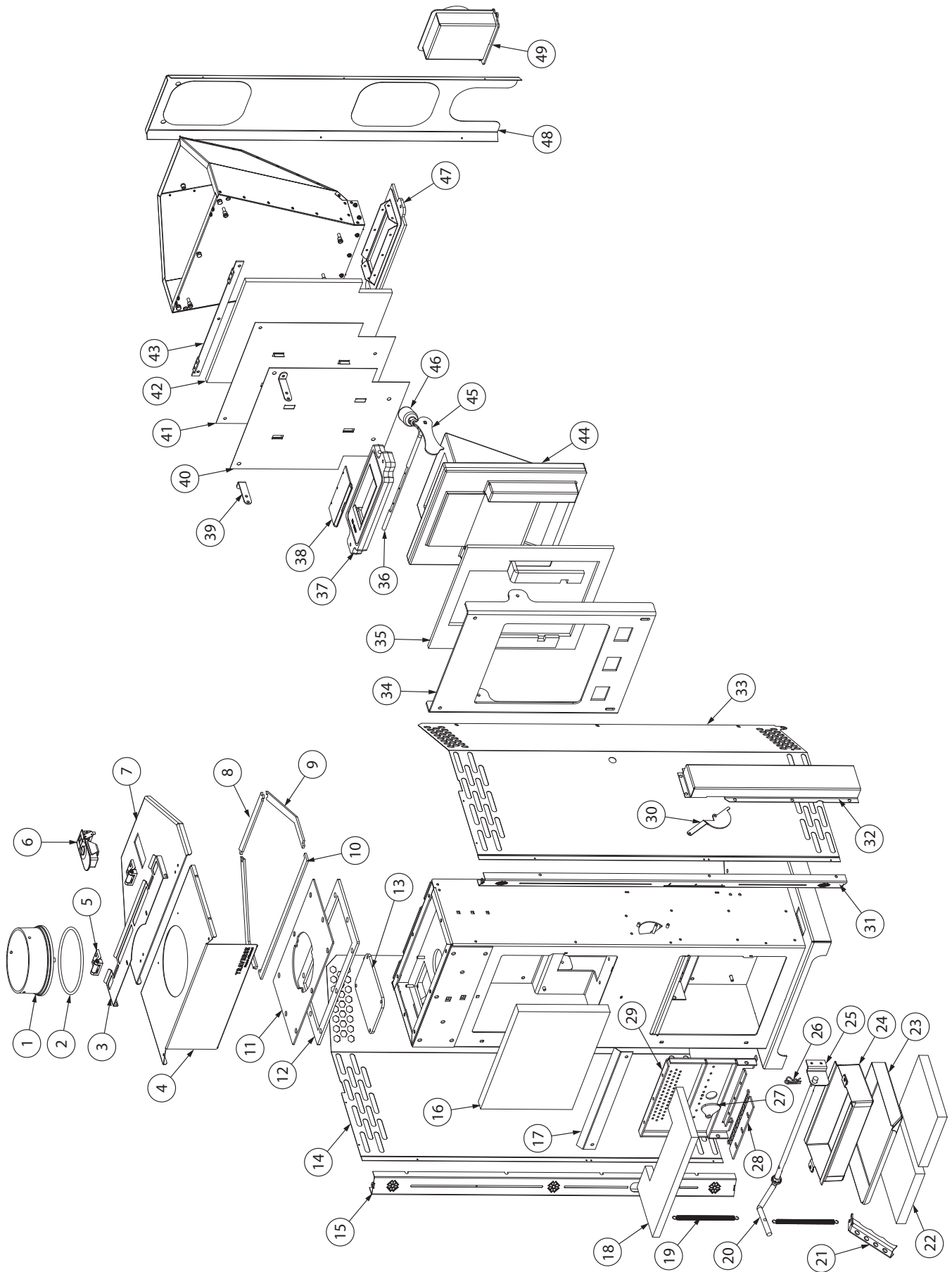
It is a good idea to give your stove a thorough cleaning at the end of each heating season to decrease the chances of rust occurring during the off-season. Do this, especially, on the inside of your firebox. Wipe the outside of the appliance with a non-abrasive cleaner (Windex) and a rag, allow it to dry, then touch-up any spots with high temperature paint sold by your local dealer. Spraying the inside of the firebox with a rust inhibitor instead of paint, can also help.

	Weekly	Monthly	Annually or per Ton
Ashes	Emptied		
Lower Burn Chamber	Cleaned		
Primary Burn Grate	Cleaned		
Exhaust Flue		Inspected/ Cleaned	
Secondary Air Ports		Cleaned	
Glass			Cleaned
Top Baffle			Cleaned
Combustion Relief Plate			Inspected
Firepot			Inspected
Fuel Cutoff Flap		Inspected/ Cleaned	
Primary Air Inlet			Inspected
Outside Air Kit			Inspected

# TROUBLE SHOOTING

Problem:	Possible Causes:
Extinguished Flame On Low Burn	Poor or lack of adequate draft. Air leaks in the upper burn chamber Too large of gap in upper chamber air wash (should be 0.08") Air leaks between the upper and lower burn chambers Partially blocked primary burn grate Partially blocked secondary air ports Block in primary air
Extinguished Flame On High Burn	Block or inadequate gap in upper chamber air wash. Excessive continuous draft > 0.1 inches of water column. (NEEDS VERIFIED) Block in primary air
Dirty Glass Or Visible Smoke	Blocked primary burn grate Extinguished flame on low or high burn Inadequate draft
Fuel Flap Fails To Latch Open	Bi-metal switch or mounting bracket is bent Bi-metallic strip is still too warm to reset the flap
Fuel Flap Fails To Close When All Fuel Is Consumed	Bi-metal switch installed upside down Bi-metal switch or mounting bracket is bent Movement of the counter weight is restricted by the reset handle Pellet or other obstruction physically blocking plate from moving
Significantly Uneven Burn Across The Opening	Leak in the secondary air chamber cover plate, inspect plate for damage or blocked air ports. Leak in the lower chamber to the upper chamber, this will cause flames that are not burning primarily vertically or an outside flame that wanders significantly to one side. Contact dealer for assistance on repairing. Possible leaks around the fire pot. Visually inspect for damage or large cracks in the fire pot. Leak in the upper burn chamber
Excessive Pellets Dropping To The Burn Basket	Damaged / significantly warped burn grate Damaged / significantly warped secondary burn chamber cover plate. Use of non PFI certified premium wood pellets – poor quality fuel. Burn plate not adjusted properly.
Loud Rumbling	Lower burn chamber door open Large air leak in lower burn chamber Significant imbalance in air from upper to lower burn chambers: Verify proper gap in upper chamber air wash (should be 0.08") Verify proper sealing of both upper and lower doors Verify proper seal from upper to lower burn chamber Verify proper seal of the fire pot to the unit
Unable To Achieve A Low Burn	Leak in the lower burn chamber allowing too much primary combustion air in. Bent or damaged primary burn control lever Too much draft <= 0.03 Leak in the gasket around the access door
Unable To Reach High Burn	Too little draft Blockage in primary air inlet Dirty primary burn grate or secondary air ports, inspect and clean if needed. Excessive build up of ash could be causing bridging of the fuel or restricted air flow. Blockage or resistance in exhaust path Verify proper installation of chimney to assure there are no air leaks or blockages. Possible leak around the upper door, inspect gasket, and replace if necessary. Air Wash gap in the upper door is too large (should be 0.08")
Too High Of A High Burn	Too much draft – Also results in visible smoke during high burn

# REPLACEMENT PARTS



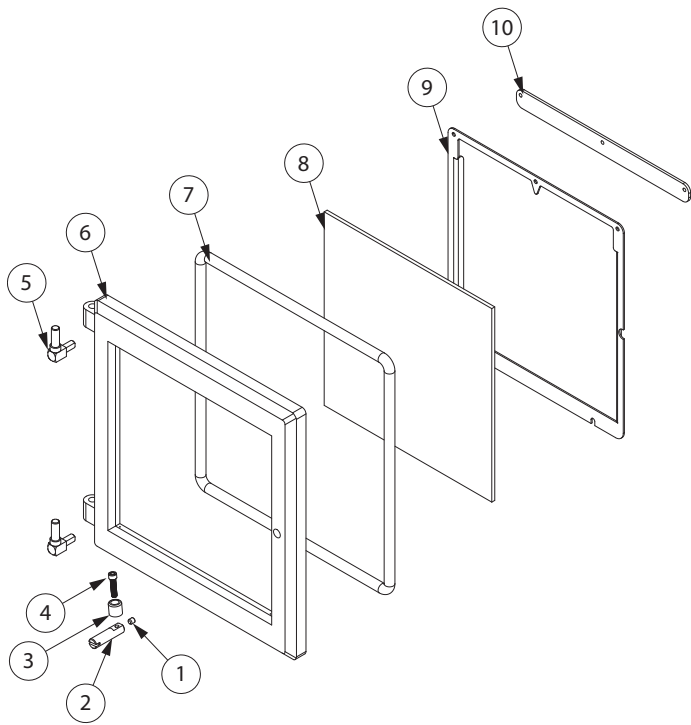
# REPLACEMENT PARTS

Key	Part #	Description	Qty
1	40292A	6" Flue Collar	1
2	88042	1/4" Rope Gasket	1
3	610945	Top Filler With Screen	1
4	28689	Cabinet Top	1
5	83968	Offset Hinge	2
6	891125	Hopper Lid Latch	1
7	28646	Hopper Lid	1
8	88320	Hopper Gasket Rear	1
9	88321	Hopper Gasket Sides	2
10	88319	Hopper Gasket Front	1
11	28650	Top	1
12	88290	Top Gasket	1
13	28645	Pop Off Plate	1
14	28635	Left Side Panel	1
15	28986	Left Shoulder	1
16	892964	Back Panel	1
17	28644	Brick Retainer	1
18	893063	Top Panel	1
19	83916	Extension Spring	2
20	893066	Shaker Rod	1
21	29162	Damper/Shaker Basket Tool	1
22	892970	Base Panel	2
23	28686	Ash Pan	1
24	610905	Burn Basket	1

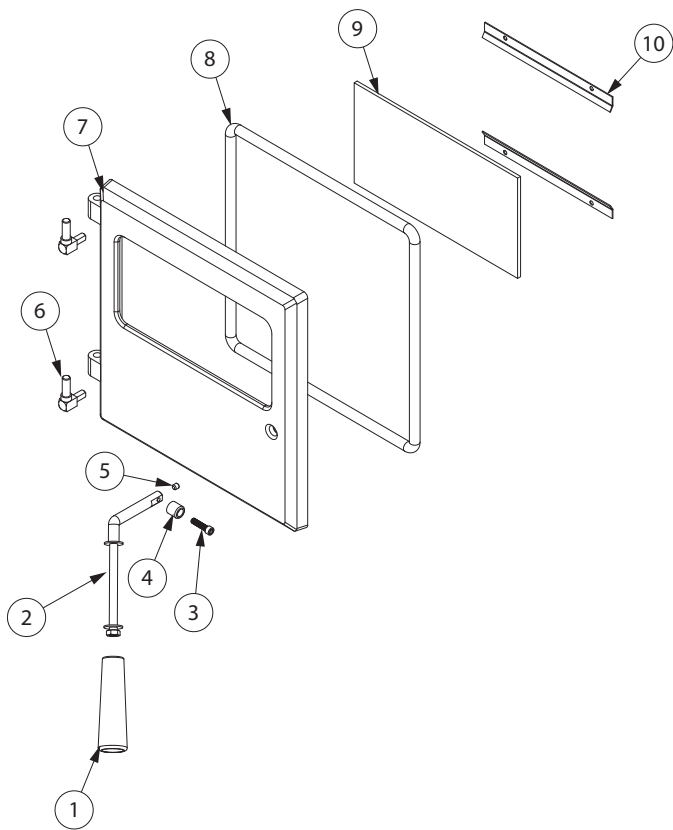
25	28969	Holder	1
26	83529	Hairpin	2
27	28647	Ignition Flap	1
28	28641	Burn Grate	1
29	610906	Secondary Baffle Weldment	1
30	28759	Air Slide	1
31	28687	Right Shoulder	1
32	28964	Air Cover	1
33	29397	Right Side Panel	1
34	28638	Cast Strap	1
35	88292	Cast Gasket	1
36	611019	Fuel Lever Weldment	1
37	40888	Hopper Junction	1
38	610977	Fuel Flap Weldment	1
39	28842	Hopper Bracket	2
40	29288	Outer Heat Shield	1
41	28968	Heat Shield	1
42	88314	Hopper Blanket	1
43	28974	Led Bracket	1
44	892963	Fire Pot	1
45	29391	Handle	1
46	40874	Fuel Cutoff Weight	1
47	610817	Hopper Base	1
48	610946	Back Panel With Screen	1
49	610802	Fresh Air Box	1

**IN ORDER TO MAINTAIN WARRANTY, COMPONENTS MUST BE REPLACED USING ORIGINAL MANUFACTURERS PARTS PURCHASED THROUGH YOUR DEALER OR DIRECTLY FROM THE APPLIANCE MANUFACTURER. USE OF THIRD PARTY COMPONENTS WILL VOID THE WARRANTY.**

# REPLACEMENT PARTS



Key	Part #	Description	Qty
1	83242	1/4-20 X 1/4 Allen Set Screw	1
2	893061	Allen Handle	1
3	893062	Roller Sleeve	1
4	83788	Socket Head Screw	1
5	891372	Pad, Door Hinge (Threaded)	2
6	40865	Viewing Door	1
7	88227	1/2" Overbraided Rope Gasket	4.3 ft
8	892965	Viewing Glass	1
9	28965	Air Wash Spacer	1
10	28721	Air Clamp	1



Key	Part #	Description	Qty
1	893059	Wooden Thru Handle	1
2	892962	Door Handle	1
3	83788	Socket Head Screw	1
4	893062	Roller Sleeve	1
5	83242	1/4-20 X 1/4 Allen Set Screw	1
6	891372	Pad, Door Hinge (Threaded)	2
7	40864	Access Door	1
8	88227	1/2" Overbraided Rope Gasket	4 ft
9	892961	Bottom Glass	1
10	28631	Glass Clamp	2

**IN ORDER TO MAINTAIN WARRANTY, COMPONENTS MUST BE REPLACED USING ORIGINAL MANUFACTURERS PARTS PURCHASED THROUGH YOUR DEALER OR DIRECTLY FROM THE APPLIANCE MANUFACTURER. USE OF THIRD PARTY COMPONENTS WILL VOID THE WARRANTY.**







# SERVICE RECORD

It is recommended that your heating system is serviced regularly and that the appropriate Service Interval Record is completed.

## Service Provider:

Before completing the appropriate Service Record below, please ensure you have carried out the service as described in the manufacturer's instructions. Always use the manufacturer's specified spare part when replacement is necessary.

<b>Service 01</b>	Date: _____
Engineer Name: _____	
License No.: _____	
Company: _____	
Telephone No.: _____	
Stove Inspected: <input type="checkbox"/> Chimney Swept: <input type="checkbox"/>	
Items Replaced: _____	

<b>Service 02</b>	Date: _____
Engineer Name: _____	
License No.: _____	
Company: _____	
Telephone No.: _____	
Stove Inspected: <input type="checkbox"/> Chimney Swept: <input type="checkbox"/>	
Items Replaced: _____	

<b>Service 03</b>	Date: _____
Engineer Name: _____	
License No.: _____	
Company: _____	
Telephone No.: _____	
Stove Inspected: <input type="checkbox"/> Chimney Swept: <input type="checkbox"/>	
Items Replaced: _____	

<b>Service 04</b>	Date: _____
Engineer Name: _____	
License No.: _____	
Company: _____	
Telephone No.: _____	
Stove Inspected: <input type="checkbox"/> Chimney Swept: <input type="checkbox"/>	
Items Replaced: _____	

<b>Service 05</b>	Date: _____
Engineer Name: _____	
License No.: _____	
Company: _____	
Telephone No.: _____	
Stove Inspected: <input type="checkbox"/> Chimney Swept: <input type="checkbox"/>	
Items Replaced: _____	

<b>Service 06</b>	Date: _____
Engineer Name: _____	
License No.: _____	
Company: _____	
Telephone No.: _____	
Stove Inspected: <input type="checkbox"/> Chimney Swept: <input type="checkbox"/>	
Items Replaced: _____	

<b>Service 07</b>	Date: _____
Engineer Name: _____	
License No.: _____	
Company: _____	
Telephone No.: _____	
Stove Inspected: <input type="checkbox"/> Chimney Swept: <input type="checkbox"/>	

<b>Service 08</b>	Date: _____
Engineer Name: _____	
License No.: _____	
Company: _____	
Telephone No.: _____	
Stove Inspected: <input type="checkbox"/> Chimney Swept: <input type="checkbox"/>	

## HOW TO ORDER REPAIR PARTS

This manual will help you obtain efficient, dependable service from your stove, and enable you to order repair parts correctly. Keep this manual in a safe place for future reference. When writing, always give the full model number which is on the nameplate attached to the stove. When ordering repair parts,

always give the following information as shown in this list:

1. The part number \_\_\_\_\_
2. The part description \_\_\_\_\_
3. The model number \_\_\_\_\_
4. The serial number \_\_\_\_\_

## COMMANDE DE PIÈCES DE RECHANGE

Ce manuel vous aidera à obtenir un service fiable et efficace de votre poêle, et vous permettre de commander correctement les pièces de rechange. Conservez ce manuel dans un endroit sûr pour référence future. Lors de l'écriture, toujours donner le numéro de modèle complet qui se trouve sur la plaque signalétique fixée sur le poêle. Lors de la commande des pièces de rechange, fournir les

informations suivantes comme indiqué dans cette liste:

1. Le numéro de pièce \_\_\_\_\_
2. La description de la pièce \_\_\_\_\_
3. Le numéro de modèle \_\_\_\_\_
4. Le numéro de série \_\_\_\_\_

# ENREGISTREMENT DE SERVICE

Il est recommandé que votre système de chauffage est desservi régulièrement et que le Service Interval enregistré

approprié est terminée.

## Fournisseur de services:

Avant de terminer l'enregistrement de service approprié ci-dessous, s'il vous plaît vous assurer que vous avez effectué le service tel que décrit dans les instructions du fabricant. Toujours utiliser pièce de rechange indiquée par le fabricant lors de remplacement est nécessaire.

Service de 01	Date	Ingénieur Nom:	Refustratub No.:	Company	N ° de téléphone:	Poêle Inspecté: <input type="checkbox"/> Cheminée Swept: <input type="checkbox"/>	Articles Remplacé:
---------------	------	----------------	------------------	---------	-------------------	---	--------------------

Service de 03	Date	Ingénieur Nom:	Refustratub No.:	Company	N ° de téléphone:	Poêle Inspecté: <input type="checkbox"/> Cheminée Swept: <input type="checkbox"/>	Articles Remplacé:
---------------	------	----------------	------------------	---------	-------------------	---	--------------------

Service de 04	Date	Ingénieur Nom:	Refustratub No.:	Company	N ° de téléphone:	Poêle Inspecté: <input type="checkbox"/> Cheminée Swept: <input type="checkbox"/>	Articles Remplacé:
---------------	------	----------------	------------------	---------	-------------------	---	--------------------

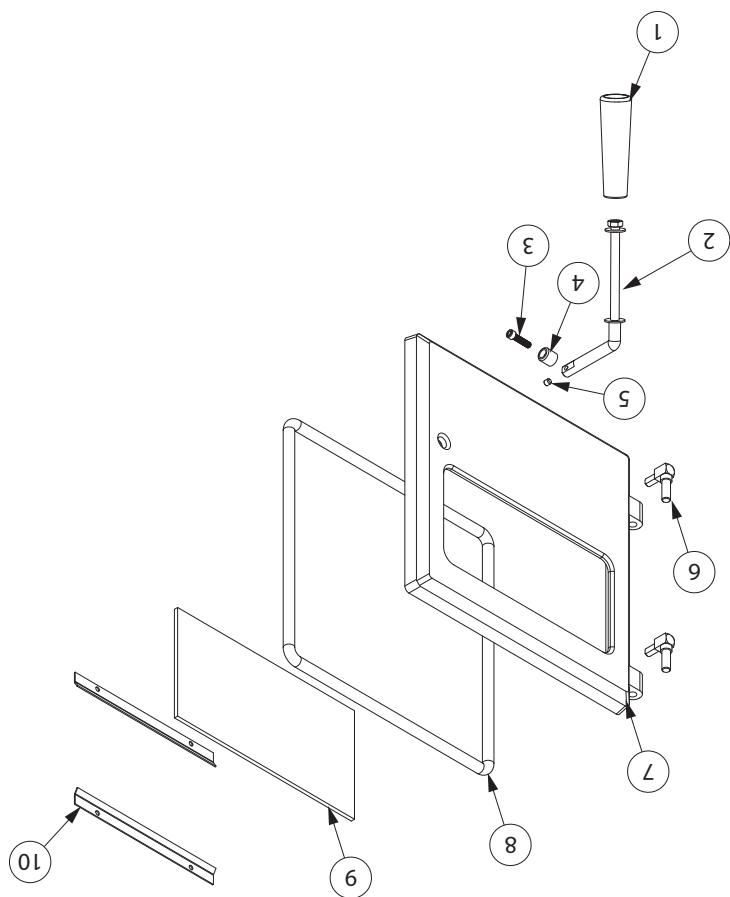
Service de 05	Date	Ingénieur Nom:	Refustratub No.:	Company	N ° de téléphone:	Poêle Inspecté: <input type="checkbox"/> Cheminée Swept: <input type="checkbox"/>	Articles Remplacé:
---------------	------	----------------	------------------	---------	-------------------	---	--------------------

Service de 06	Date	Ingénieur Nom:	Refustratub No.:	Company	N ° de téléphone:	Poêle Inspecté: <input type="checkbox"/> Cheminée Swept: <input type="checkbox"/>	Articles Remplacé:
---------------	------	----------------	------------------	---------	-------------------	---	--------------------

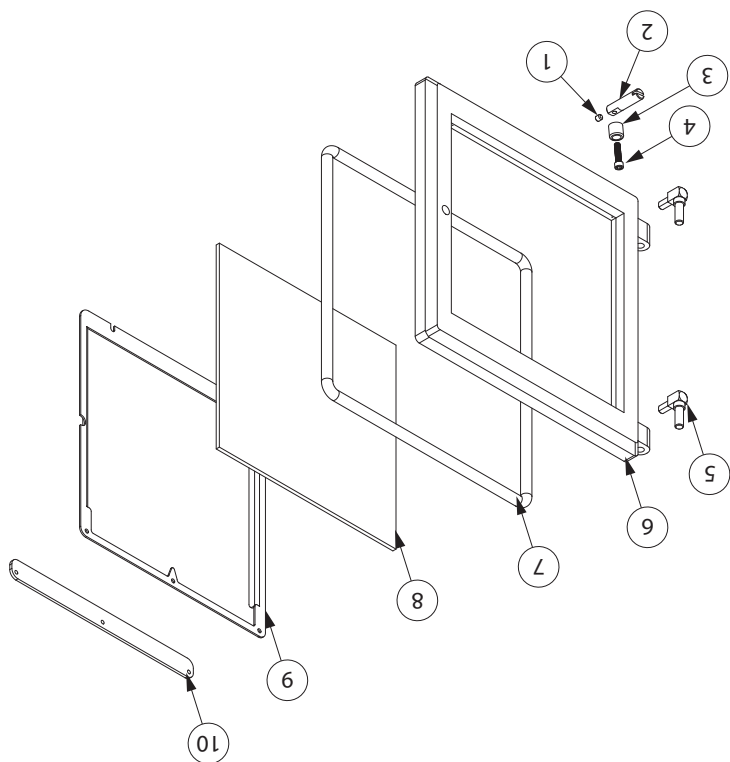
Service de 07	Date	Ingénieur Nom:	Refustratub No.:	Company	N ° de téléphone:	Poêle Inspecté: <input type="checkbox"/> Cheminée Swept: <input type="checkbox"/>	Articles Remplacé:
---------------	------	----------------	------------------	---------	-------------------	---	--------------------

Service de 08	Date	Ingénieur Nom:	Refustratub No.:	Company	N ° de téléphone:	Poêle Inspecté: <input type="checkbox"/> Cheminée Swept: <input type="checkbox"/>	Articles Remplacé:
---------------	------	----------------	------------------	---------	-------------------	---	--------------------

AFIN DE CONSERVER LA GARANTIE, LES COMPOSANTS DOIVENT ÊTRE REMPLACÉS À L'AIDE DES PIÈCES D'ORIGINE DU FABRICANT ACHETÉES AUPRÈS DE VOTRE REVENDEUR OU DIRECTEMENT AUPRÈS DU FABRICANT DE L'APPAREIL. L'UTILISATION DE COMPOSANTS PROVENANT DE TIERS ANNULERA LA GARANTIE.



Clé	Partie	Description	Qté
1	893059	Poignée En Bois	1
2	892962	Poignée De Porte	1
3	83788	Vis À Tête Cylindrique	1
4	893062	Manchon De Rouleau	1
5	83242	Vis De Réglage Allen 1/4-20 X 1/4	1
6	891372	Patin De Porte, Charnière (Fileté)	2
7	40864	Porte D'accès	1
8	88227	Joint De Corde 1/2 po	4 pi
9	892961	Verre De Fond	1
10	28631	Pince À Verre	2



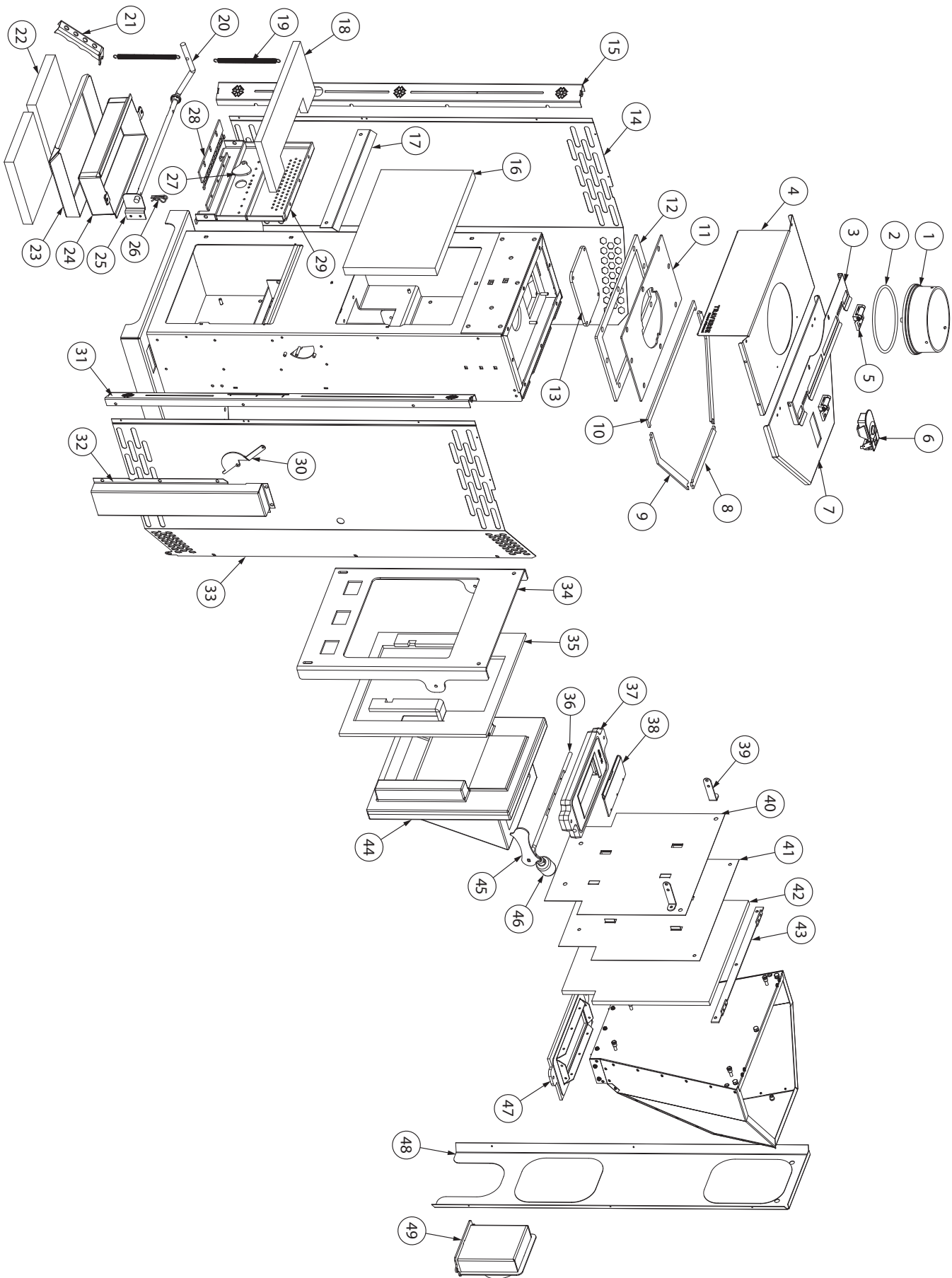
Clé	Partie	Description	Qté
1	83242	Vis De Réglage Allen 1/4-20 X 1/4	1
2	893061	Poignée Allen	1
3	893062	Manchon De Rouleau	1
4	83788	Vis À Tête Cylindrique	1
5	891372	Patin De Porte, Charnière (Fileté)	2
6	40865	Porte D'observation	1
7	88227	Joint De Corde 1/2 po	4,3 pi
8	892965	Verre D'observation	1
9	28965	Entretoise De Lavage À L'air	1
10	28721	Pince À Air	1

**PIÈCES DE RECHANGE**

Ciè	Partie	La Description	Qté
1	40292A	Col De Cheminée De 6 po	1
2	88042	Joint De Corde 1/4 po	1
3	610945	Remplissage Supérieur Avec Écran	1
4	28689	Dessus D'armoire	1
5	83968	Charnière Déportée	2
6	891125	Loquet Du Couvrele De La Trémie	1
7	28646	Couvrele De Trémie	1
8	88320	Joint De Trémie Arrière	1
9	88321	Côtés Du Joint De La Trémie	2
10	88319	Joint De Trémie Avant	1
11	28650	Haut	1
12	88290	Joint Supérieur	1
13	28645	Sauter La Plaque	1
14	28635	Panneau Latéral Gauche	1
15	28986	Épaulé Gauche	1
16	892964	Panneau Arrière	1
17	28644	Retenue De Brique	1
18	893063	Panneau Supérieur	1
19	83916	Ressort D'extension - Ø0,50 X 6 po	2
20	893066	Tige De Secoueur	1
21	29162	Outil Pour Panier Amortisseur / Secoueur	1
22	892970	Panneau De Base	2
23	28686	Cendrier	1
24	610905	Brûler Le Panier	1

25	28969	Titulaire	1
26	83529	Épingle À Cheveux	2
27	28647	Volet D'allumage	1
28	28641	Brûler La Grille	1
29	610906	Soudure De Chicane Secondaire	1
30	28759	Tobogyan	1
31	28687	Épaulé Droite	1
32	28964	Couverture D'air	1
33	29397	Panneau De Droite	1
34	28638	Sangle En Fonte	1
35	88292	Joint En Fonte	1
36	611019	Soudure De Levier De Carburant	1
37	40888	Jonction Trémie	1
38	610977	Soudure De Volet De Carburant	1
39	28842	Support De Trémie	2
40	29288	Bouclier Thermique Extérieur	1
41	28968	Bouclier Thermique	1
42	88314	Couverture De Trémie	1
43	28974	Support Led	1
44	892963	Pot De Feu	1
45	29391	Manipuler	1
46	40874	Poids De Coupure De Carburant	1
47	610817	Base De Trémie	1
48	610946	Panneau Arrière Avec Écran	1
49	610802	Boîte À Air Fraîche	1

AFIN DE CONSERVER LA GARANTIE, LES COMPOSANTS DOIVENT ÊTRE REMPLACÉS À L'AIDE DES PIÈCES D'ORIGINE DU FABRICANT ACHETÉES AUPRÈS DE VOTRE REVENDEUR OU DIRECTEMENT AUPRÈS DU FABRICANT DE L'APPAREIL. L'UTILISATION DE COMPOSANTES PROVENANT DE TIERS ANNULERA LA GARANTIE.



**PIÈCES DE RECHANGE**

Problème	Causes possibles	Extinction de la flamme lors d'une faible combustion	Extinction de la flamme lors d'une combustion élevée	Verre encrassé ou fumée visible	Grille de combustion principale bloquée Extinction de la flamme lors d'une combustion faible ou élevée Tirage inadéquat	Le volet de carburant ne parvient pas à se verrouiller en position ouverte	L'interrupteur bimétallique ou le support de fixation est plié La bande bimétallique est encore trop chaude pour réinitialiser le clapet.	L'interrupteur bimétallique est installé à l'envers	La trappe à carburant ne ferme pas lorsque tout le carburant est consommé	L'interrupteur bimétallique ou des orifices d'aération bloqués. Fuite dans la chambre de couverture de la chambre à air secondaire; inspectez la plaque pour trouver des dommages ou des orifices d'aération bloqués. Fuite dans la chambre inférieure vers la chambre supérieure; cela causera des flammes qui ne brûlent pas principalement de manière verticale ou une flamme extérieure qui se déplace grandement d'un côté. Communiquez avec le revendeur pour obtenir de l'assistance lors de la réparation.	Possibles fuites autour du pot à feu Inspectez visuellement le radiateur pour détecter la présence de dommages ou de grandes fissures dans le pot à combustion. Fuite d'air dans la chambre de combustion supérieure	Grille de combustion endommagée ou très déformée	Plaque de couverture de la chambre de combustion secondaire endommagée ou très déformée.	Utilisation de granulés de bois certifiées PFI de première qualité ou de combustible de mauvaise qualité	La plaque de combustion n'est pas bien ajustée	Porte de la chambre de combustion inférieure Grande fuite d'air dans la chambre de combustion inférieure Débalancement important de l'air dans les chambres de combustion supérieures et inférieures	Assurez-vous qu'il y a un écart approprié dans la chambre d'humidification supérieure (devrait être de 2 mm [0,08 po])	Assurez-vous de l'étanchéité des portes inférieures et supérieures	Assurez-vous de l'étanchéité des chambres de combustion supérieures et inférieures	Assurez-vous de l'étanchéité du pot à feu à l'appareil	Fuite dans la chambre combustion inférieure, faisant entrer trop d'air de comburant principal. Levier de contrôle de la combustion principale plié ou endommagé	Trop d'air <= 0,03	Fuite dans le joint d'étanchéité autour de la porte d'accès	Puissant grandement	Porte de la chambre de combustion inférieure Grande fuite d'air dans la chambre de combustion inférieure Débalancement important de l'air dans les chambres de combustion supérieures et inférieures	Assurez-vous qu'il y a un écart approprié dans la chambre d'humidification supérieure (devrait être de 2 mm [0,08 po])	Assurez-vous de l'étanchéité des portes inférieures et supérieures	Assurez-vous de l'étanchéité des chambres de combustion supérieures et inférieures	Assurez-vous de l'étanchéité du pot à feu à l'appareil	Fuite dans la chambre combustion inférieure, faisant entrer trop d'air de comburant principal. Levier de contrôle de la combustion principale plié ou endommagé	Trop d'air <= 0,03	Fuite dans le joint d'étanchéité autour de la porte d'accès	Incapacité à obtenir une faible combustion	Incapacité à obtenir une combustion élevée	Passage d'air	Blocage de l'entrée d'air primaire	Grille de combustion principale ou orifices d'aération secondaires sales; inspectez-les et nettoyez-les au besoin. Une accumulation excessive de cendres pourrait causer une transition de combustible ou une circulation d'air limitée.	Blocage ou résistance dans la trajectoire d'échappement	Assurez-vous de l'installation appropriée de la cheminée afin qu'il n'y ait pas de fuites d'air ou de blocages.	Fuite possible autour de la porte supérieure; inspectez le joint d'étanchéité et remplacez-le au besoin. Espace trop grand dans la porte supérieure de la chambre d'humidification (devrait être de 2 mm [0,08 po])	Trop d'air; crée également de la fumée visible lors de la combustion élevée	Combustion élevée trop élevée
----------	------------------	--	--	---------------------------------	---	--	---	---	---	--	--	--	--	--	--	--	--	--	--	--	---	--------------------	---	---------------------	--	--	--	--	--	---	--------------------	---	--	--	---------------	------------------------------------	--	---	---	---	---	-------------------------------



Chaque année ou à la tonne	Mensuel	Hebdomadaire	Cendres	Vidé	
			Chambre de combustion inférieure	Nettoyé	
			Grille de combustion principale	Nettoyé	
	Inspecté ou nettoyé		Evacuation d'air		
	Nettoyé		Orifices d'aération secondaires		
	Nettoyé		Vitre		
	Nettoyé		Défecteur supérieur		
	Inspecté		Plaque de la soupape de la combustion		
	Inspecté		Pot à feu		
	Inspecté	Inspecté ou nettoyé	Clapet de seuil du combustible		
			Entrée d'air primaire		
			Ousse d'air extérieur		Inspecté

Il est souhaitable de bien nettoyer votre poêle à la fin de chaque saison de chauffage afin de minimiser les chances de rouille lors de la saison morte. Nettoyez bien l'intérieur de la boîte à combustion. Essayez l'extérieur de l'appareil à l'aide d'un nettoyeur tout abrasif (Windex) et d'un chiffon. Laissez-le sécher, puis nettoyez toute tache à l'aide de peinture haute température vendue par votre revendeur local. Pulvériser l'intérieur de la boîte à combustion à l'aide d'un inhibiteur de rouille au lieu de peinture peut également aider.

### ENTRETIEN HORS SAISON

d'un morceau de papier de la taille et de l'épaisseur approximatives d'un billet de banque. Placez le morceau de papier entre le joint d'étanchéité et la surface de scellement; fermez et verrouillez ensuite la porte ou le couvercle. Vous devriez sentir une certaine résistance, pouvant varier, lorsque vous tirez sur le morceau de papier. Effectuez ce test sur chaque côté du joint; au haut, au bas, à gauche et à droite, si possible. Si le morceau de papier peut être retiré avec peu ou pas de force, vous devrez ajuster le couvercle ou la porte ou remplacer le joint d'étanchéité. Pour changer les joints d'étanchéité, retirez simplement ceux qui sont endommagés, nettoyez ensuite avec soin la rainure du joint avec soin, appliquez une colle pour joints vendue à cette fin et installez le nouveau joint. Lors de l'installation du joint d'étanchéité, il faut éviter d'étirer ce dernier. Vous pourrez allumer votre poêle à nouveau dans environ 24 heures après avoir terminé cette opération.

### PEINTURE

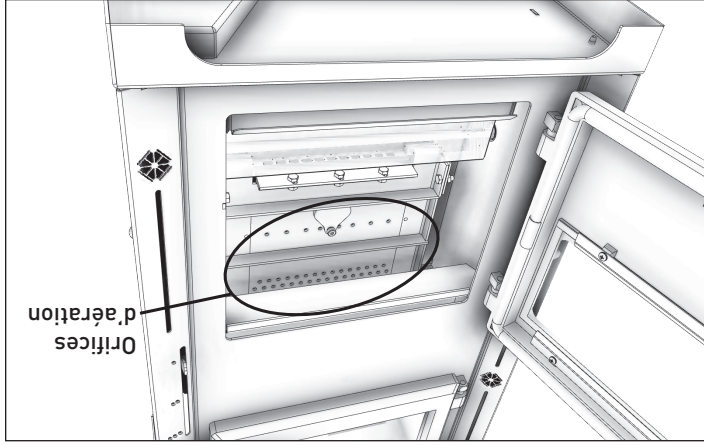
Nettoyez uniquement votre poêle avec un chiffon doux qui n'endommagera pas le fini. Si la peinture devient égratignée ou endommagée, il est possible de redonner une apparence neuve à votre poêle à granules de bois en le repeignant avec une peinture résistante à une chaleur de 649 °C (1200 °F) achetée auprès de votre fournisseur. À cette fin, frottez la surface à être repeinte avec un papier à poncer fin, nettoyez et appliquez successivement deux (2) fines couches de peinture. Souvenez-vous, si une grande quantité de peinture a été appliquée sur le poêle, vous devrez suivre la procédure pour les premiers feux décrite précédemment dans ce manuel.

**ATTENTION: N'effectuez pas d'entretien ou de nettoyage de l'appareil s'il n'est pas à température pièce.**

Votre poêle à granulés de bois est un poêle à haute efficacité qui requiert un entretien régulier. L'entretien est un élément crucial du maintien de l'efficacité, de l'opération et de la longévité du poêle. Il est important de faire une inspection visuelle de l'appareil, chaque fois qu'il est vide et nettoyé, afin de s'assurer qu'aucune pièce n'a été endommagée, ce qui nécessiterait une réparation immédiate. Inspectez et nettoyez périodiquement la cheminée et le conduit de raccordement pour y détecter l'accumulation de créosote ou des obstructions. Une inspection devrait être effectuée de manière mensuelle lors de la saison de chauffage.

## ORIFICES D'AÉRATION SECONDAIRES

Nettoyer régulièrement les orifices d'aération secondaires permettra à votre radiateur de brûler proprement et efficacement. Retirez les dépôts de créosote ou de cendre des orifices aussi souvent que nécessaire. Un simple brossage hebdomadaire à l'aide d'un balai de ramonage aidera à réduire ou prévenir l'adhérence de gros dépôt à la surface, ce qui pourrait causer une détérioration prématurée de la boîte à combustion. La plupart des formations de créosote peuvent être retirées.



## MISE AU REBUT DES CENDRES/ESPACE DU PANIER À CENDRES

Les cendres devraient être retirées quotidiennement, ou lorsqu'il y a environ 25,4 mm (1 po) de cendres au fond de la grille de combustion secondaire. La grille de combustion secondaire devrait être agitée lorsque l'accumulation de cendre atteint une distance d'environ 50,8 mm (2 po) de la grille de combustion primaire. Videz toujours le poêle lorsqu'il est froid, le matin, par exemple. N'ouvrez jamais la chambre de combustion inférieure pour vider le panier à cendres lorsque l'appareil est en fonction; cela pourrait causer une surchauffe. Retirez toute cendre accumulée ou granule tombée de la zone du panier à cendres. Un aspirateur à cendres est très utile et peut être acheté auprès de votre revendeur local. Les cendres doivent être placées dans un récipient en métal recouvert d'un couvercle bien ajusté, puis être déplacées à l'extérieur immédiatement. Le récipient de cendres fermé doit être placé sur un plancher incombustible ou sur le sol, loin des matériaux combustibles, en attendant sa mise au rebut finale. Si les cendres sont enterrées ou dispersées sur place, elles doivent rester enfermées dans le récipient, jusqu'à ce qu'elles soient complètement refroidies. Les autres déchets ne doivent pas être placés dans ce contenant.

### PRÉCAUTIONS

- LES CENDRES POURRAIENT CONTENIR DES BRAISES, MÊME DEUX JOURS APRÈS AVOIR FAIT FONCTIONNER LE POÊLE.
- ASSUREZ LA PROPRETÉ DE L'ESPACE DU PANIER À CENDRES
- LE PANIER À CENDRES PEUT DEVENIR TRÈS CHAUD. ENFILEZ DES GANTS POUR ÉVITER LES BLESSURES.
- NE FAITES JAMAIS DE FEU DANS LE POÊLE LORSQUE LA TRAPPE À CENDRE EST OUVERTE. CECI CAUSERAIT DES DOMMAGES AU POÊLE OU MÊME UN INCENDIE.

## DÉTECTEURS DE FUMÉE ET DE CO

Le brûlage du bois produit naturellement des émissions de fumée et du monoxyde de carbone (CO). Le CO est un gaz toxique lorsque l'exposition se fait à des concentrations élevées lors de longues périodes. Bien que les systèmes de combustion modernes des radiateurs réduisent de façon importante la quantité de CO émis par la cheminée, l'exposition aux gaz dans des endroits fermés ou clos peut être dangereuse. Assurez-vous que les joints d'étanchéité de votre poêle et les joints de la cheminée soient en bon état et qu'ils scellent correctement, évitant les expositions indésirables. Il est recommandé que vous utilisiez des détecteurs de fumée et de CO dans les zones où se trouve un potentiel de génération de CO.

## VITRE

- Inspectez et nettoyez la vitre régulièrement afin de détecter toute fissure. Si vous repérez une fissure, prévoyez un remplacement immédiat. Soyez délicat avec la porte de vitre; ne la frappez pas et ne la claquez pas. N'utilisez pas le poêle si la vitre est brisée.
- Si la vitre du poêle se brise, remplacez-la par la vitre fournie par votre revendeur de radiateur. N'utilisez jamais d'autres matériaux pour remplacer la vitre.
- Pour remplacer la vitre, retirez les écrous qui retiennent les agrafes de retenue de la vitre à l'intérieur de la porte. Retirez les agrafes et remplacez le morceau brisé par un morceau neuf. Effectuez les étapes inverses lorsque vous avez effectué le remplacement. Lorsque vous remplacez la vitre, vous devriez changer le joint d'étanchéité de la vitre afin de vous assurer qu'elle est étanche.

Ne lavez jamais la vitre à l'aide de nettoyeurs abrasifs ou à l'aide d'un produit qui pourrait rayer la surface. Utilisez un produit spécialisé, disponible dans les boutiques où les poêles sont vendus. La vitre ne devrait être nettoyée que lorsqu'elle est froide; JAMAIS QUAND ELLE EST CHAUDE.

## ÉTANCHEÏSATION

Les portes de cet appareil utilisent un joint d'étanchéité d'un diamètre de 13 mm (1/2 po) de diamètre. Il est recommandé de vérifier les joints deux fois par mois lors de la saison de chauffage et de changer les joints (assurant l'étanchéité du poêle) une fois par année, afin de vous assurer un bon contrôle sur la combustion, une efficacité maximale et la sécurité. Pour vérifier l'étanchéité, vous devriez effectuer un test à l'aide d'un bout de papier. Procédez à l'aide

**AVERTISSEMENT: N'utilisez jamais l'appareil sans un joint d'étanchéité ou avec un joint endommagé. Ceci pourrait causer des dommages à l'appareil ou même causer un incendie.**

un système de prise d'air sur un mur extérieur. La pièce, soit en ouvrant légèrement une fenêtre, soit en laissant de la pression négative, il est bon de laisser de l'air frais entrer dans la combustion du bois consomme l'oxygène ambiant de la pièce. En cas ne sera pas complètement froid. Il est important de noter que la fermeture et vous ne pourrez pas le réinitialiser tant que l'appareil tandis que les granules descendent dans le pot à feu, le clapet se La coupure d'alimentation en carburant fonctionne avec la chaleur; réalimentent l'appareil avant de pouvoir voir le clapet de coupure. après que la majorité du combustible ait été brûlé, assurez-vous de Si vous souhaitez que la combustion de votre appareil se poursuive

**RECHARGEMENT**

La quantité visible de fumée produite peut être une méthode efficace pour déterminer l'efficacité du processus de combustion aux réglages établis. La fumée visible est composée de combustible non brûlé et de l'humidité s'échappant de votre poêle. Apprenez comment ajuster les réglages d'air de votre unité afin de produire la plus petite quantité de fumée visible.

**FUMÉE VISIBLE**

**AVERTISSEMENTS**

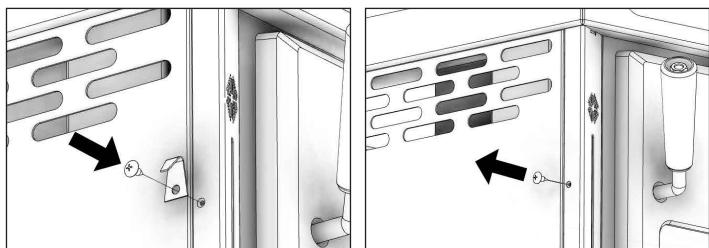
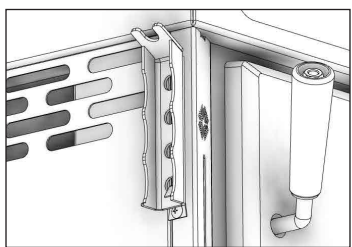
- NE JAMAIS SURCHAUFFER VOTRE POÊLE. SI DES PARTIES DE CE POÊLE COMMencent À ROUGEoyer, IL S'AGIT D'UNE SURCHAUFFE. RÉAJUSTEZ LE CONTRÔLE DE PRISE D'AIR À UN RÉGLAGE INFÉRIEUR.
- TENTER D'ATTEINDRE UN TAUX DE PUISSANCE CALORIFIQUE DÉPASSANT LES SPÉCIFICATIONS DE CONCEPTION DU RADIATEUR PEUT LUI CAUSER DES DOMMAGES PERMANENTS.

Paramètres d'aération principaux (le glisseur du clapet se trouve à la droite du poêle) (Réglage du registre: Tirer sur le registre augmente l'entrée d'air)

Faible	Levier du clapet positionné complètement vers le bas
Moyen à faible	Levier du registre levé au tiers
Moyen à élevé	Levier du registre levé aux deux tiers
Haut	Levier du registre levé complètement

ATTENTION: N'ajustez jamais la « glissière du registre » ou le réglage de sa portée afin d'augmenter le feu, peu importe la raison. Ceci pourrait causer des dommages au radiateur et annuler votre garantie.

avant affecter la combustion. que ces réglages peuvent dépendre en fonction de certains facteurs pour la combustion de votre nouvel appareil. Veuillez noter de la combustion de votre nouvel appareil. Vous pouvez utiliser les réglages d'entrée d'air primaire comme point de départ pour la combustion de votre nouvel appareil. Vous devez être agité. REMARQUE: Cet appareil n'est pas muni d'une méthode d'arrêt « rapide » car la combustion aura lieu jusqu'à ce que tout le combustible ait été brûlé. Veuillez noter qu'une fois que la combustion cesse, l'appareil pourrait être tiré ou CHAUD et pourrait être chaud pour une période indéterminée selon les conditions de combustion. Votre expérience vous dirigera dans la quantité de granules à ajouter dans la trémie afin d'effectuer une combustion pour une période souhaitée. Cet appareil pourrait être en fonction d'une à six heures pour une quantité de 4,5 kg (10 lb) selon l'ajustement de l'air et la qualité du combustible utilisé. Vous pouvez utiliser les réglages d'entrée d'air primaire comme point de départ pour la combustion de votre nouvel appareil. Veuillez noter que ces réglages peuvent dépendre en fonction de certains facteurs



Utilisez un outil d'auto-perçage pour fixer la poignée à l'avant de l'unité.

**CROCHET D'OUTIL**

Ce radiateur au bois a un taux de combustion minimum réglé à la fabrication, et qui ne peut être modifié. La modification de ce réglage ou une utilisation autre de ce radiateur au bois qui ne respecterait pas les directives du présent manuel contrevient aux réglementations fédérales.

**AVERTISSEMENT D'ALTÉRATION**

Brûlez toujours des granules homologuées PFI de première qualité. Ceci permet un brûlage propre et des températures de cheminée plus élevées, et par ce fait, moins de dépôts de crésote. Laissez le contrôle d'air entièrement ouvert pendant environ cinq minutes chaque fois que vous remplissez l'appareil à fonctionner adéquates. La combustion secondaire ne peut se faire que si la boîte à combustion est suffisamment chaude. Vérifiez toujours la présence de dépôts de crésote dans votre cheminée au moins une fois par an. Si un feu de cheminée ou de crésote survient, fermez immédiatement tous les registres. Attendez que le feu s'éteigne et nettoyez de cheminée afin d'assurer qu'il ne reste aucun dépôt de crésote dans la cheminée.

**POUR ÉVITER L'ACCUMULATION DE CRÉOSOTE**

Quand le bois brûle lentement, il crée du goudron et d'autres vapeurs organiques qui se combinent avec l'humidité expulsée et forment du crésote. Les vapeurs de crésote se condensent dans le conduit de fumée lorsque il est relativement froid, par exemple lorsque le feu vient d'être allumé ou que le feu brûle lentement. Par conséquent, les résidus de crésote s'accumulent sur le revêtement du conduit de fumée. Ce crésote peut créer un feu extrêmement chaud lorsqu'il est allumé. Le conduit de raccordement et la cheminée doivent être inspectés au moins une fois tous les deux mois pendant la saison de chauffage pour déterminer si des dépôts de crésote se sont accumulés. Si un dépôt de crésote s'est accumulé (3 mm ou plus), il doit être enlevé pour diminuer le risque de feu de cheminée.

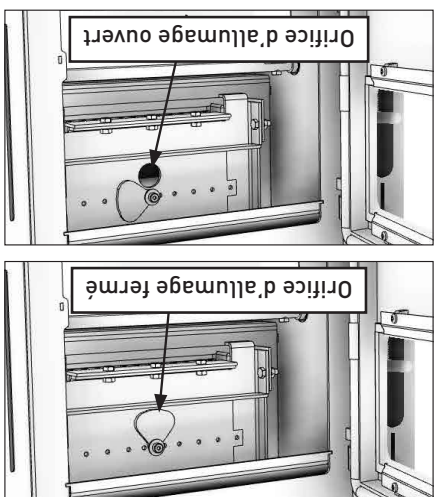
**CRÉOSOTE - FORMATION ET BESOIN DE RETRAIT**

Si le niveau de combustible dans la trémie, lors de l'opération, est inférieur au clapet de coupure, vous ne pourrez pas réalimenter l'appareil avant qu'il ne soit complètement frais. Lors du fonctionnement de l'appareil, le charbon s'accumulera dans le panier de combustion secondaire; celui-ci devra être agité

NE PAS ravitailler en carburant l'appareil si le niveau de carburant est à la hauteur de la trappe à carburant.

N'OUVREZ PAS la porte de la chambre de combustion inférieure lors du fonctionnement. Après le processus d'allumage, la porte doit être fermée et verrouillée pendant l'opération. Si la porte est ouverte lors de l'opération, cela pourrait causer des conditions de combustion dangereuses.

**FONCTIONNEMENT**



**ATTENTION:**

- Ne tentez jamais d'allumer le poêle à partir du dessous de la grille de combustion principale. Utilisez toujours le port d'allumage pour allumer l'appareil.
- Ne tentez jamais d'allumer le poêle lorsque la porte d'accès à la chambre supérieure est ouverte.
- Ne tentez jamais d'allumer le poêle à l'aide du charbon restant dans le conduit de chute du pot à feu ou de la grille de combustion principale.
- N'essayez jamais d'allumer le poêle sans avoir préalablement réinitialisé le volet de carburant sensible à la température. Assurez-vous que le volet de carburant est en position ouverte.
- Permettez à l'appareil de refroidir (pour que vous puissiez y toucher sans vous brûler) avant de le remplir et de l'allumer si l'appareil manque de combustible, ou si le niveau de combustible est plus bas que le clapet de coupure.

5. Après la fermeture de la chambre de combustion, permettez à l'appareil de brûler à la température maximale de 30 à 40 minutes avant d'ajuster le registre et de réduire le taux de combustion dangereuses. JAMAIS la porte de la chambre de combustion ouverte plus de dix minutes; cela pourrait créer des conditions de combustion de la chambre de combustion ouverte de cinq à 10 minutes. L'allume-feu et les granulés, il faudra peut-être laisser la porte de la chambre de combustion. S'il faut du temps pour enflammer

1. Ouvrez le couvercle de la trémie et vérifiez que le volet de carburant est en position ouverte. Si elle ne l'est pas, utilisez la poignée située sur le côté droit de l'appareil pour réinitialiser. Remplissez la trémie avec des granulés de première qualité (environ 2,5 kg [45 lb]), et fermez et verrouillez le couvercle de la trémie afin de vous assurer qu'il est scellé.
2. Après avoir rempli la trémie de granulés, assurez-vous que la commande d'air est réglée à la valeur maximale.
3. Ouvrez la porte de la chambre inférieure et examinez le panier de combustion secondaire pour vous assurer qu'il ne contient pas de nouveaux granulés non brûlés. Si des granulés non brûlés sont tombés dans le panier à travers la grille de cuisson, ils doivent être retirés avant d'allumer l'appareil. Une fois le panier nettoyé, basculez le couvercle du port d'allumage sur le côté et placez un allume-feu ZIP dans le port.
4. Dès que l'allume-feu est allumé et qu'il brûle, fermez la porte de

**ALLUMAGE**

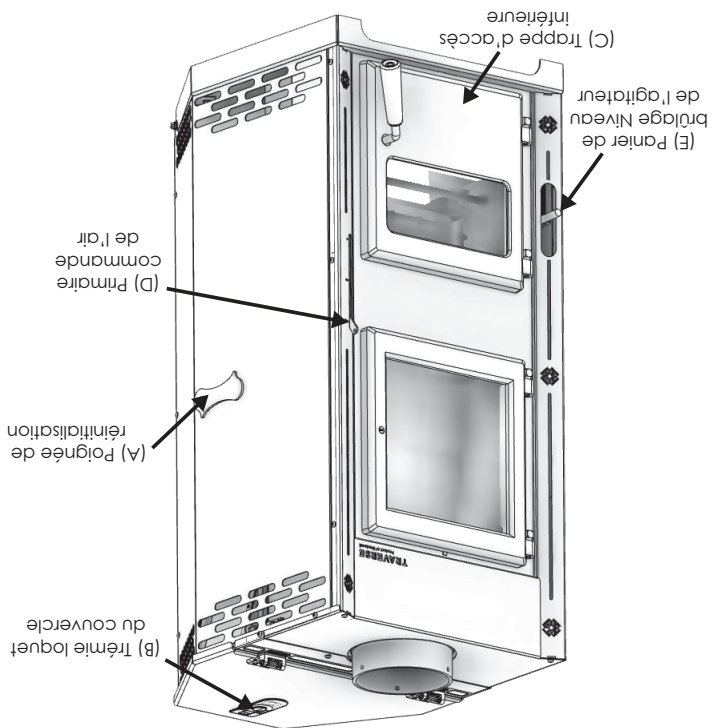
**ATTENTION: Ne jamais utiliser d'essence, d'huile à lampe, de liquides semblables pour démarrer ou rallumer le feu dans ce radiateur. Conservez ces produits loin du radiateur lorsque ce dernier est en fonction. Chaud lors du fonctionnement. Éloignez les enfants, les vêtements et les meubles. Le contact peut provoquer des brûlures à la peau.**

Les quelques premières combustions du nouvel appareil devront être réduites afin de faire durcir la peinture fraîche et en préserver la qualité. Pour ce faire, suivez les étapes d'allumage de la section « Allumage » de ce manuel. Après l'allumage, la commande d'air primaire doit se trouver à son réglage maximal pour les premières 30 à 40 minutes. Après cet intervalle, faites passer la commande d'air primaire à un taux de combustion moyen ou moyen doux afin de maintenir une petite combustion dans l'appareil et bien faire durcir la peinture. Ne remplissez la trémie qu'à l'aide d'une quantité minimale de combustible, environ 4,5 kg (10 lb) au début, puis augmentez la quantité jusqu'à remplir complètement la trémie au cours des cycles de combustion subséquents.

**LES PREMIERS FEUX**

- A. La porte d'accès inférieure a deux objectifs principaux. Le premier but est d'allumer le poêle. Le deuxième objectif est d'accéder au cendrier.
- D. Le contrôle d'air primaire est situé sur le côté inférieur droit de la face avant de l'unité. Si la commande est relevée jusqu'en haut, le registre de l'unité est réglé sur le taux de combustion maximum. S'il est poussé à fond, il réduira l'air de combustion au taux de combustion minimum.
- E. L'unité est équipée d'un panier de combustion secondaire dans la chambre de combustion. Le panier peut et devra être agité au besoin. Le levier d'agitation du panier est situé en bas à gauche de la face avant de l'appareil.

A. L'unité est équipée d'un volet de carburant sensible à la température. Cela arrêtera le débit de carburant si l'unité devient trop chaude et fermera également le bas de la trémie de la chambre à feu lorsque l'unité manque de carburant.

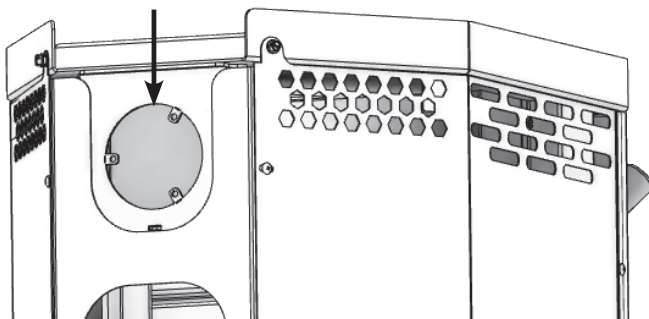


## FONCTIONNEMENT

1. Votre appareil ne tire pas de manière constante, un refoulement de fumée se produit, le combustible ne brûle pas correctement ou des refoulements d'air se produisent qu'il y ait ou non de la combustion.

2. L'équipement de chauffage à combustible liquide qui se trouve déjà dans la maison, comme les feux de foyer ou tout autre appareil de chauffage dégage une odeur, ne fonctionne pas correctement, produit des refoulements de fumée lorsqu'il est ouvert ou bien souffre de refoulements d'air qu'il y ait ou non de

### Connexion à l'air extérieur



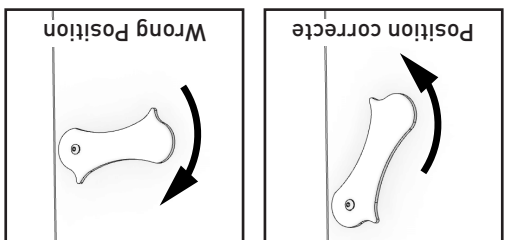
Il est recommandé d'installer cet appareil avec une prise d'air extérieur. Ce type d'installation est également requis pour les installations canadiennes, les maisons mobiles et les maisons étanches à l'air ayant des problèmes de pression négative. Vous pouvez acheter cette option auprès de votre revendeur de chauffage. Suivez les instructions d'installation fournies avec le kit d'admission d'air. De l'air de combustion extérieur peut être nécessaire si:

### CONNEXION À L'AIR DE COMBUSTION

- La combustion contrôlée est la technique la plus efficace pour le brilage des granulés de bois, étant donné qu'elle vous permet de choisir le type de combustion que vous désirez, pour chaque situation. Les granulés de bois brûleront lentement si le contrôle de la prise d'air du radiateur est ajusté pour réduire l'apport en oxygène à son minimum dans la chambre de combustion. D'un autre côté, les granulés de bois brûleront plus rapidement si le contrôle d'air est ajusté pour accepter une plus grande quantité d'oxygène dans la chambre de combustion. Le contrôle de la prise d'air de votre radiateur est très simple. Si vous levez le levier de contrôle d'air le plus loin que vous pouvez, celui-ci sera complètement ouvert. Si vous le baissez jusqu'à ce que vous ne puissiez plus le bouger, l'air comburant est réduit au maximum. Des conditions réelles de fonctionnement peuvent présenter des résultats différents de ceux obtenus pendant les tests, selon des espèces de granulés utilisés, leur teneur en humidité, la taille et la densité moyennes des granulés, la longueur de la cheminée, l'altitude et la température extérieure.
- Un système de ventilation est installé dans la maison.
- Une très forte condensation est présente sur les fenêtres pendant l'hiver.
- La maison est équipée d'un pare-vapeur correctement scellé et de fenêtres bien étanches et/ou possède des appareils alimentés qui évacuent de l'air vers l'extérieur.
- La combustion est contrôlée pendant la combustion.

### CHAUFFAGE

Remarque: la poignée de réinitialisation doit toujours être en position basse. Si la poignée reste en position haute, elle ne fonctionnera pas correctement et des dommages peuvent survenir.



Avant chaque ravitaillage, la commande devra être réinitialisée. Soulevez la poignée du panneau latéral de l'unité pour réinitialiser la commande. Vous entendrez un clic lorsque la commande est réinitialisée. Assurez-vous que la poignée de réinitialisation revient en position basse. Si l'unité est en marche et doit être ravitaillée, elle DOIT être ravitaillée avant que la trémie ne soit vide. Si vous pouvez voir le volet de carburant fermé, vous devrez laisser l'appareil refroidir complètement avant de faire le plein.

B. La trémie de cet appareil doit être scellée à tout moment pendant le fonctionnement. Ceci est réalisé avec un couvercle de trémie à joint, et le couvercle est verrouillé avec un verrou de compression. Le loquet a un bouton au milieu de celui-ci qui, une fois enfoncé, s'ouvrira. Après avoir fait le plein, le couvercle DOIT être fermé et verrouillé pour un fonctionnement correct.

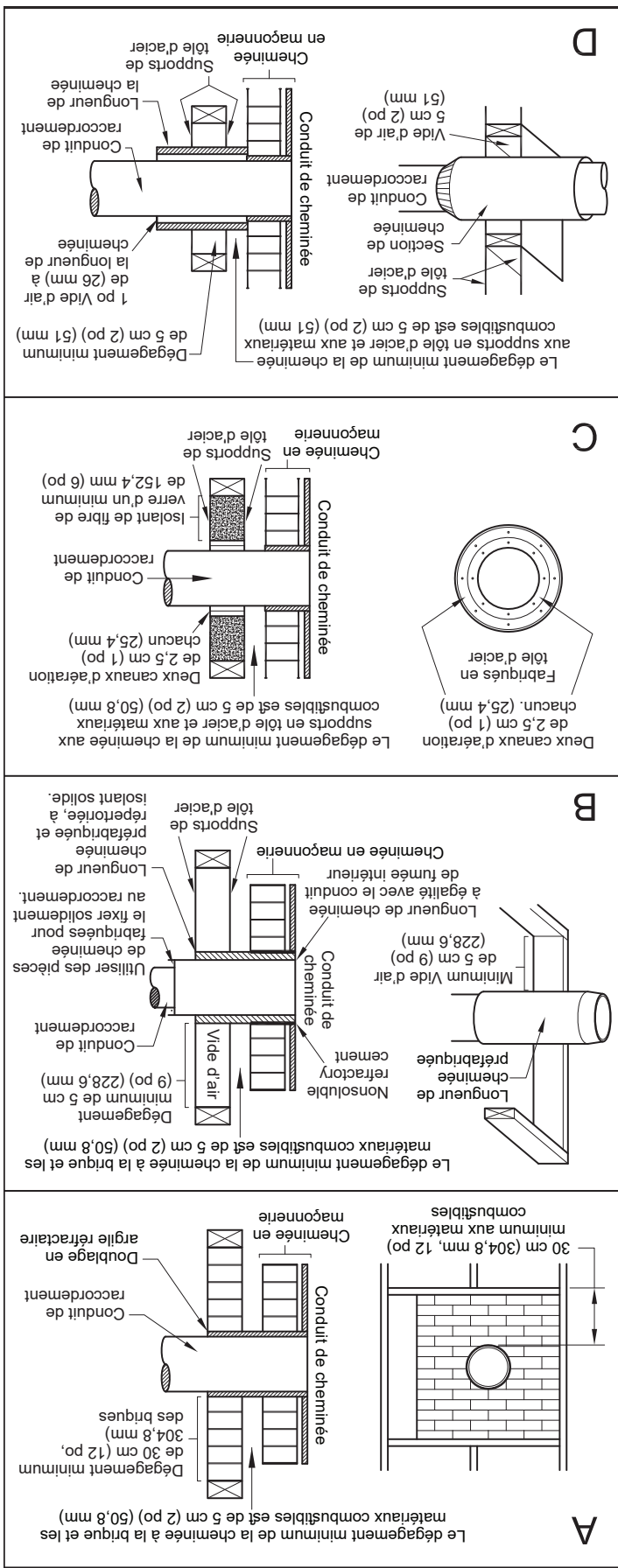
briquetage entre le boisseau en argile et les matériaux inflammables du mur. Le boisseau en argile doit passer de la surface extérieure du briquetage à la surface intérieure de la doublure du conduit de fumée, sans dépasser la surface intérieure. Coulez ou cimentez fermement le boisseau en argile au doublage du conduit de fumée. Méthode B. Espace de dégagement de 228,6 mm (9 po) par rapport à l'élément du mur inflammable. En utilisant un diamètre interne de 152,4 mm (6 po), la section de la cheminée préfabriquée Solid-Pak homologuée avec un isolant de 25,4 mm (1 po) ou plus, construisez un manchon de raccordement avec un espace minimal de 228,6 mm (9 po) entre le mur extérieur de la longueur de cheminée et les murs inflammables. Utilisez des supports sur tous les côtés afin de maintenir un espace d'air de 228,6 mm (9 po). Lorsque vous de ne pas perforer la doublure de la cheminée (le mur intérieur de la cheminée Solid-Pak). L'extrémité interne de la section de la cheminée Solid-Pak doit être ajustée à l'intérieur du conduit de fumée en maçonnerie, et doit être scellée avec un ciment réfractaire soluble basé sur un autre liquide que l'eau. Utilisez également ce ciment pour sceller la perforation dans le briquetage.

Méthode C. Espace de dégagement de 152,4 mm (6 po) par rapport à l'élément du mur inflammable. En commençant avec un conduit de diamètre 24 (d'une dimension de 0,61 m [0,024 po]) 152,4 mm (6 po), et avec un coupe-feu mural ventilé de calibre 24 possédant deux canaux d'air de 25,4 mm (1 po) chacun, fabriquez un manchon de raccordement. Il devrait y avoir une séparation de 152,4 mm (6 po) contenant un isolant en fibre de verre, entre la surface externe du coupe-feu mural et le mur inflammable. Soutenez le coupe-feu mural et recouvrez son ouverture, à l'aide d'un support en tôle d'acier de calibre 24 minimum. Maintenez un espace de 152,4 mm (6 po). Il devra également y avoir un support de la bonne taille afin de supporter le conduit de raccordement en métal. Veillez à ce que les supports soient solidement fixés aux surfaces murales sur tous les côtés Assurez-vous que les attaches sont sécurisées au connecteur métallique du conduit de raccordement et qu'il ne pénètre pas la doublure du conduit de fumée.

Méthode D. Dégagement de 50,8 mm (2 po) par rapport à l'élément du mur inflammable. Commencez par une section d'une cheminée solid-pak préfabriquée homologuée d'au moins 304 mm (12 po), avec un isolant de 25,4 mm (1 po) ou plus, et au diamètre interne de 203 mm (8 po) [51 mm (2 po) plus grand que le conduit de raccordement de 152,4 mm (6 po)]. Utilisez ceci comme passage mural pour un conduit de raccordement en métal à simple paroi avec un espace de 25,4 mm (1 po) du conduit de raccordement à l'aide des plaques de tôles métalliques aux extrémités de la section de la cheminée. Couvrez l'ouverture avec et supportez la section de la cheminée aux deux côtés avec des supports de tôle d'acier d'un calibre minimum 24. Veillez à ce que les supports soient solidement fixés aux surfaces murales sur tous les côtés. Veillez à ce que les attaches utilisées pour fixer le conduit de fumée ne pénètrent pas dans la doublure du conduit de fumée.

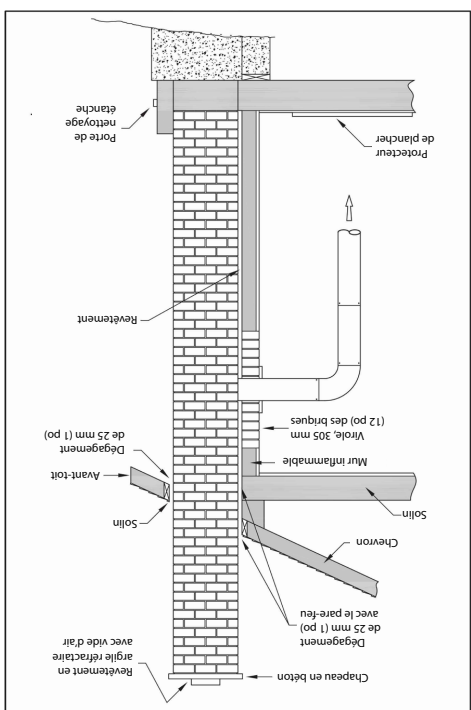
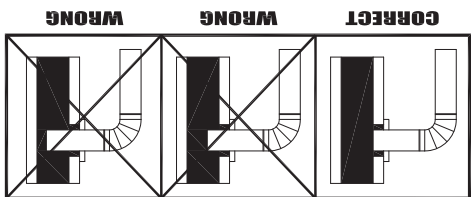
REMARQUES:

- Les connecteurs aux cheminées de maçonnerie, à l'exception de la méthode B, doivent s'allonger dans une section continue à travers le système de passage intramural et du mur de la cheminée, mais ne doivent pas dépasser la surface de la doublure.
- Le conduit de raccordement ne doit pas passer à travers un grenier ou un comble, un plancher, un plafond ou un espace un vide de construction.



Méthode A. Dégagement de 304,8 mm (12 po) par rapport à l'élément du mur inflammable. En utilisant l'épaisseur minimale de la brique de 89 mm (3,5 po) et l'épaisseur minimale de la paroi du boisseau en argile de 15,9 mm (5/8 po), construisez un manchon de boisseau de spécification des boisseaux en argile réfractaire) C315 (normes de spécification des boisseaux en argile réfractaire) ou équivalent. Maintenez un minimum de 304,8 mm (12 po) de

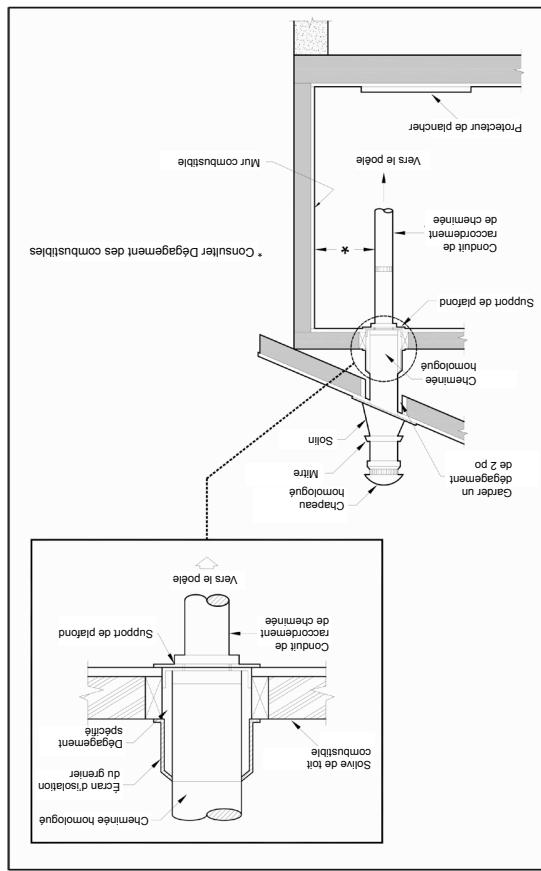
**PASSAGE POUR CONDUIT DE RACCORDMENT DANS UN MUR COMBUSTIBLE**



Veillez à ce que la cheminée respecte les normes minimales de la National Fire Protection Association (NFPA), en demandant à ce qu'elle soit inspectée par un professionnel. La cheminée ne doit pas comporter de fissures, de mortier détaché ou d'autres signes de détérioration et d'obstruction. Nettoyez la cheminée avant d'installer et de faire fonctionner le poêle. Lors du raccordement par l'air ambiant intérieur, réduisant donc l'accumulation de créosote et le risque d'incendie de cheminée.

**CHEMINÉE EN MAÇONNERIE**

Elle doit s'élever au-dessus du toit à au moins 0,9 m (3 pi) à partir du point de contact le plus élevé. La cheminée doit dépasser toute partie de l'immeuble ou autre obstruction, dans une distance de 3,04 m (10 pi) par une hauteur de 0,6 m (2 pi). L'installation d'une cheminée intérieure et toujours préférable à une cheminée extérieure. La cheminée intérieure se réchauffera plus rapidement que celle extérieure qui est refroidie par l'air ambiant à l'extérieur de la maison, puisqu'elle est réchauffée par l'air plus lentement, réduisant ainsi le gaz y circulant se refroidira plus lentement, réduisant donc l'accumulation de créosote et le risque d'incendie de cheminée.



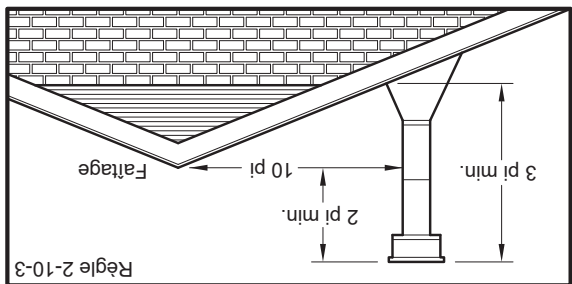
Lorsqu'une cheminée préfabriquée en métal est utilisée, il faut

**CHEMINÉE PRÉFABRIQUÉE**

1. Ne branchez pas cette unité à un conduit de fumée utilisé par un autre appareil.
2. Elle doit s'élever au-dessus du toit à au moins 0,9 m (3 pi) à partir du point de contact le plus élevé.
3. La cheminée doit dépasser toute partie de l'immeuble ou autre obstruction, dans une distance de 3,04 m (10 pi) par une hauteur de 0,6 m (2 pi).
4. L'installation d'une cheminée intérieure et toujours préférable à une cheminée extérieure. La cheminée intérieure se réchauffera plus rapidement que celle extérieure qui est refroidie par l'air ambiant à l'extérieur de la maison, puisqu'elle est réchauffée par l'air plus lentement, réduisant ainsi le gaz y circulant se refroidira plus lentement, réduisant donc l'accumulation de créosote et le risque d'incendie de cheminée.
5. Le tirage causé par la tendance à l'air chaud de s'élever sera augmenté par une cheminée intérieure.
6. Utiliser un pare-feu à l'extrémité de la cheminée exige une inspection régulière pour assurer qu'il n'est pas obstrué, obstruant le tirage, et doit être nettoyé s'il est utilisé régulièrement.
7. Tous les joints doivent être étanches.
8. La section extérieure de la cheminée devrait être composée d'un conduit à double ou triple épaisseur.

refroidissement rapide des gaz, où l'accumulation du créosote et le risque d'incendie de cheminée. À noter que la cheminée, et non le poêle, crée l'effet de tirage; le rendement de votre poêle dépend directement du tirage adéquat par votre cheminée. Les recommandations suivantes peuvent être utiles à l'installation de votre cheminée:

Votre appareil peut comporter une cheminée préfabriquée ou en maçonnerie de 152,4 mm (6 po). Si vous utilisez une cheminée préfabriquée, elle doit respecter la norme UL 103 ou CAN/ULC-S629 et doit être de type HT (649 °C [2100 °F]). Il est très important qu'elle soit installée selon les spécifications du fabricant. Si vous utilisez une cheminée en maçonnerie, il est important qu'elle ait été construite selon les spécifications du Code national du bâtiment. Elle doit être doublée avec un boisseau en argile réfractaire, du métal ou des tuiles d'argile scellées ensemble avec un ciment réfractaire. (Les conduits ronds sont les plus efficaces.) Le diamètre intérieur du conduit de fumée ne doit pas être inférieur au conduit d'évacuation des gaz de l'appareil. Un conduit trop petit pourrait causer des problèmes de tirage, alors qu'un conduit plus grand favoriserait le



### CHÉMINÉE

En cas de tirage et / ou de consommation de carburant excessif avec le Breckwell Traverse, il est recommandé d'utiliser un régulateur de tirage barométrique. Le tirage de la cheminée est essentiel au bon fonctionnement et au bon contrôle de ce poêle. Trop de tirage entraînera une consommation rapide du combustible, une chaleur excessive et pourrait éventuellement provoquer une surchauffe du poêle. Le tirage correct de ce poêle sera mesuré avec un tirant d'eau compris entre 0,04 et 0,05" w.c. Le régulateur de tirage barométrique est conçu pour être facilement ajusté et fournir des niveaux de tirage en fonctionnement appropriés. Pour les instructions d'installation et d'utilisation, voir les instructions fournies avec le régulateur de tirage barométrique.

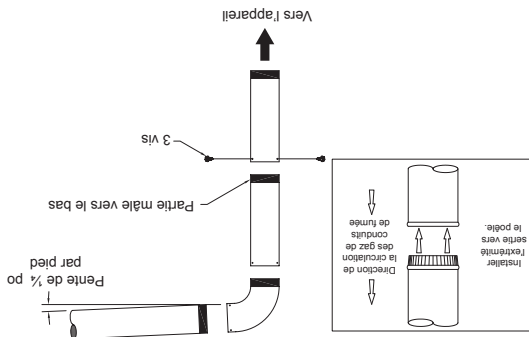


**AVIS DE SÉCURITÉ: SI CET APPAREIL N'EST PAS INSTALLÉ CORRECTEMENT, UN INCENDIE DE MAISON / IMMEUBLE POURRAIT EN RÉSULTER. POUR VOTRE SÉCURITÉ, CONTACTEZ LES OFFICIELS LOCAUX DU BÂTIMENT OU DE L'INCENDIE AU SUJET DES PERMIS, RESTRICTIONS ET EXIGENCES D'INSTALLATION POUR VOTRE RÉGION.**

### RECOMMANDATIONS POUR UN BROUILLON EXCESSIF

(extrêmement ondule) soit orientée vers le bas. Attachez chaque section les uns aux autres avec trois vis autotaraudeuses, à égale distance. Scellez avec du ciment à calorifère. Le tuyau doit être court et droit. Toutes les sections installées à l'horizontale doivent avoir une pente d'au moins 6,35 mm (1/4 po) sur 304,8 mm (1 pi), avec l'extrémité supérieure de la section orientée vers la cheminée. Toute installation avec un tuyau de cheminée à course horizontale doit se conformer à NFPA 211. Vous pouvez contacter la NFPA (National Fire Protection Association) et demander les plus récentes normes NFPA 211. Pour assurer un bon tirage, la longueur totale du tuyau ne doit pas dépasser 2,4 à 3,04 m (8 à 10 pi). (Sauf dans les cas d'une installation verticale, où le système d'évacuation de la fumée d'un toit de style cathédral peut être beaucoup plus long et se brancher sans problème à la cheminée du plafond de la pièce. Il ne devrait jamais y avoir plus de deux coudes à 90 degrés dans le système d'évacuation de la fumée.)

Votre conduit de raccordement et la cheminée doivent être du même diamètre que la prise de sortie du poêle 152,4 mm (6 po). Si ce n'est pas le cas, nous suggérons que vous contactiez votre fournisseur afin d'assurer qu'il n'y a pas de problèmes avec le tirage. Ils doivent également être appropriés à la combustion de combustible solide et être en bon état et être maintenus propres. La conduite du poêle est faite d'acier aluminisé ou d'acier profilé à froid d'une épaisseur minimale de 0,53 mm (ou 0,021 po). Il est strictement interdit d'utiliser de l'acier galvanisé. Votre tuyau pour fumée doit être assemblé de manière à ce que la section mâle



### (CONDUITE DU POÊLE)

### CONDUIT DE RACCORDEMENT DE LA CHÉMINÉE

Le tirage est une force déplaçant l'air de l'appareil vers la cheminée. La quantité de tirage dans votre cheminée dépend de sa longueur, son emplacement géographique local, les obstructions à proximité, et d'autres facteurs. Trop de tirage peut causer des températures excessives dans l'appareil. Un tirage inadéquat peut causer des retours de fumée dans la pièce et causer l'obstruction de la cheminée. Un tirage inadéquat causera des fuites de fumée par l'appareil dans la pièce, s'infiltrant par l'appareil, et les joints du conduit de raccordement. Un brûlage incontrôlable ou une température excessive indique un tirage excessif. Tenez compte de l'emplacement de la cheminée pour veiller à ce qu'elle ne soit pas trop près des voisins ou dans une vallée pouvant causer des conditions malsaines ou nuisibles.

### IMPORTANT D'UN TIRAGE ADÉQUAT

- Il doit y avoir une hauteur minimale de 2,13 m (7 pi) entre le plancher et le plafond.
- Ne placez aucun matériau inflammable à moins de 1,2 m (4 pi) de l'avant de l'appareil.
- N'entrez jamais le carburant dans les espaces définis autour de l'appareil ou dans l'espace requis pour l'alimentation et l'élimination des cendres.
- L'espace de dégagement entre le conduit de raccordement et le mur ne vaut que pour les murs et les conduits de raccordement verticaux.
- Le conduit de raccordement ne doit pas passer à travers un grenier ou un comble, un plancher, un plafond ou un espace un vide de construction.
- Au Canada, si l'on souhaite traverser un mur ou une cloison de matériaux combustibles, l'installation doit être conforme avec CAN/CSA-B365; le code d'installation d'appareils et d'équipement à combustion solide.
- Un conduit de raccordement traversant un mur inflammable doit posséder un dégagement minimum de 457,2 mm (18 po).
- Afin de réduire les dégagements de la cheminée par rapport aux matériaux combustibles, contactez votre service de sécurité local ou consultez le NFPA 211.

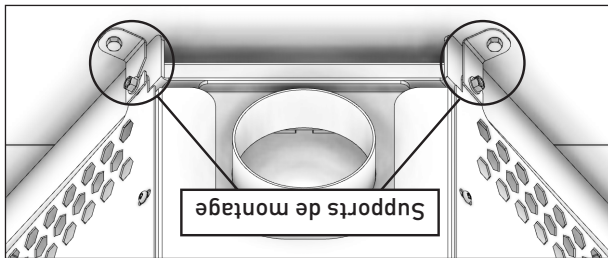


Il est primordial de placer le poêle à granules le plus près possible de la cheminée; ainsi que dans une zone qui favorisera la distribution de chaleur la plus efficace possible dans la maison. Le poêle doit donc être installé dans la pièce la plus spacieuse où vous passez le plus de temps. Souvenez-vous que les poêles à granules produisent de la chaleur radiante; la chaleur que nous ressentons lorsque nous nous trouvons à proximité d'un poêle à granules de bois. Un poêle à granules de bois fonctionne également par convection; ce qui signifie que l'air chaud se déplace vers le haut et est remplacé par de l'air plus froid. L'appareil ne doit pas être branché à un système de distribution d'air chaud, puisqu'une accumulation excessive d'air chaud pourrait se produire. Cet appareil ne doit jamais être installé dans un corridor ou près d'un escalier, puisqu'il pourrait bloquer la

- AVIS DE SÉCURITÉ**
- UN INCENDIE RÉSIDUEL POURRAIT ÊTRE PROVOQUÉ PAR UNE INSTALLATION ERRONÉE DE CE POÊLE. AFIN DE RÉDUIRE LE RISQUE DE FEU, SUIVEZ LES INSTRUCTIONS D'INSTALLATION.
  - CONSULTEZ LE SERVICE DE LA CONSTRUCTION OU LE SERVICE D'INCENDIE AU SUJET DES PERMIS, RESTRICTIONS ET EXIGENCES D'INSTALLATION DANS VOTRE RÉGION.
  - UTILISEZ DES DÉTECTEURS DE FUMÉE DANS LA PIÈCE OÙ LE POÊLE EST INSTALLÉ.
  - GARDEZ LES MEUBLES ET LES RIDEAUX LOIN DU POÊLE.
  - NE JAMAIS UTILISER D'ESSENCE, D'HUILE À LAMPE, DE KÉROÛSE, DE LIQUIDE D'ALLUMAGE POUR DÉMARRER OU BOIS OU DE LIQUIDES SEMBLABLES POUR DÉMARRER UN RALLUMER LE FEU DANS CE RADIATEUR. CONSERVEZ CES PRODUITS LOIN DU RADIATEUR LORSQUE CE DERNIER EST EN FONCTION.
  - EN CAS DE FEU DE CHEMINÉE, FERMEZ COMPLÈTEMENT LE CONTRÔLE D'AIR AFIN DE PRIVÉ LE FEU D'OXYGÈNE. APPELEZ LE SERVICE D'INCENDIE.
  - UNE SOURCE D'AIR FRAIS DANS LA PIÈCE OU DANS L'ESPACE CHAUFFÉ DEVRA ÊTRE FOURNIE AU BESOIN.
  - Dans les maisons mobiles et les maisons manufacturées, un radiateur d'appoint et sa cheminée n'annulent pas le coupe-feu nécessaire entre les espaces de la maison lorsque le chauffage d'appoint et sa cheminée et l'entrée d'air de combustion sont installés conformément aux instructions du fabricant.

**PLACER LE POÊLE**

Lorsqu'il est installé dans une maison mobile, l'unité doit également être connectée à une source d'air frais provenant de l'extérieur de la maison.



**Option 2:** Utilisez les deux supports fournis avec l'unité pour fixer l'appareil au sol. Dévissez légèrement les boulons actuels par l'arrière de l'appareil. Faites glisser le support en place et boulonnez la bride inférieure au sol. Resserrez le boulon supérieur à l'arrière de l'appareil.

Protection de plancher

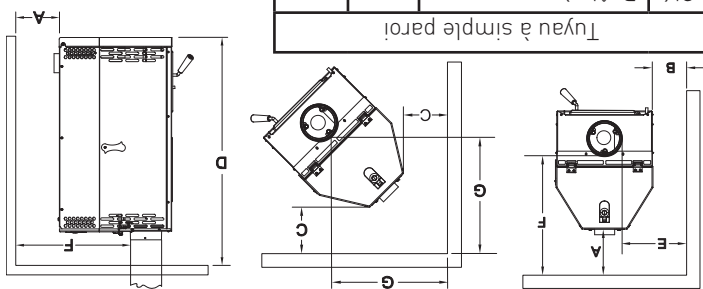
Ciè	Du bord à Poêle	po	mm
H	Largueur du poêle	19,4	493
I	Profondeur du poêle	23,8	605
J	Devant	16 [CAN 18] [CAN 47]	407 [CAN 458]
K	Arrière de l'appareil	2	51
L	Côté	8	204
M	Côté de l'évacuation	2	51

Cet appareil de chauffage doit avoir un protecteur de plancher combustible (protection contre les braises) installé en dessous si le plancher est en matériau combustible. Si un coussin de sol est utilisé, il doit être homologué UL ou équivalent. Le coussin de plancher ou la surface combustible doit être suffisamment grand pour s'étendre sur au moins 16 po [407 mm] à l'avant et 8 po [204 mm] de chaque côté du radiateur. La zone sous une conduite horizontale du raccord de cheminée doit également être protégée; s'étendant de deux [2] pouces au-delà de la dimension extérieure du connecteur horizontal. Les installations canadiennes nécessitent un minimum de 18 «[450 mm] au-delà de l'avant de l'unité et de 8 «[200 mm] au-delà de chaque côté de l'unité. Un protecteur de plancher de 1/4 po d'épaisseur est recommandé pour cette installation.

**PROTECTION DE PLANCHER (EMBER PROTECTION)**

Tuyau à simple paroi

Ciè	Poêle à	po	mm
A	Paroi arrière	8	204
B	Mur latéral	8	204
C	Coins	8	204
D	Hauteur du plafond	84	2134
E	Paroi latérale	15	381
F	Paroi arrière	23	585
G	Coins	21,4	544

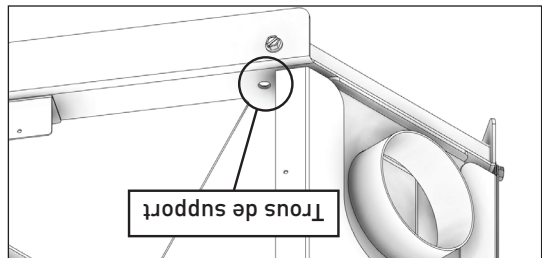


tableaux ci-dessous dans cette section.

Il est de la plus haute importance que les dégagements aux matériaux combustibles soient strictement respectés lors de l'installation du poêle. Les dégagements ne peuvent être réduits que par des moyens approuvés par une autorité de régulation. Contactez votre service de sécurité local ou vous pouvez consulter NFPA 211 si vous installez aux États-Unis. Reportez-vous aux

**DÉGAGEMENTS AUX COMBUSTIBLES**

voie en cas de feu, ou qu'il pourrait ne pas respecter les espaces définis nécessaires.



dans ce manuel. Tous les autres travaux doivent être effectués par un technicien qualifié.

Le système de sortie d'air devrait être vérifié chaque mois lors de la saison de brûlage afin d'y découvrir toute accumulation de crésote ou de suie.

L'utilisation d'air extérieur est nécessaire au Canada pour cet appareil, et peut être utilisée pour les maisons américaines construites très près les unes des autres.

Ne faites pas fonctionner votre poêle avec la porte à hublot ouverte. Un problème de sécurité pourrait survenir si des étincelles ou des émanations entrèrent dans la pièce.

Ne jamais bloquer aucun événement de l'appareil.

Gardez les débris étrangers hors de la chambre de carburant. Cet appareil n'est pas destiné à un usage commercial.

N'est pas destiné à être une source de chaleur primaire.

**DANGER DE MONOXYDE DE CARBONE (CO).** Une accumulation d'émanations de CO est toxique et peut être fatale. Le monoxyde de carbone est un gaz incolore et inodore produit lors de la combustion de bois, de charbon, d'huile, de gaz et d'autres appareils à combustion de combustibles. Il est primordial d'avoir une aération et une ventilation de remplacement adéquates afin que les émanations soient poussées à l'extérieur de la cheminée. Lorsqu'il est installé de la manière inscrite dans les instructions, le poêle est conçu pour être aussi sécuritaire que possible; il est toutefois recommandé d'installer un détecteur de CO. Suivez les recommandations du fabricant quant à l'installation et à l'utilisation. Il est recommandé que l'appareil soit installé à hauteur d'une table (et non près d'un plafond), afin d'éviter les fausses alarmes. Soyez conscient que d'autres appareils que le poêle (p. ex., le pot d'échappement d'une voiture) peuvent faire se déclencher les alarmes de CO.

Si l'alarme se déclenche:

- Sachez reconnaître les symptômes d'un empoisonnement au CO (céphalées, nausées et somnolence).
- Augmentez la ventilation (ouvrez les fenêtres et les portes).
- Assurez-vous que la porte ou les couvercles du poêle sont fermés et verrouillés.
- Vérifiez si le poêle fume et soufflé (ouvrez les commandes d'aération).
- Vérifiez si la cheminée ou le conduit de raccordement fuit, est bloqué ou tire bien.
- Vérifiez l'appareil de détection de CO pour voir s'il s'agit d'une fausse alarme.

## INSTALLATIONS DE MAISON MOBILE

# INSTALLATION

**Option 1:** un trou de montage est prévu à l'arrière de l'appareil. Accédez au trou de montage par l'arrière de l'unité ou en retirant le panneau latéral (voir l'illustration). Vous pouvez ensuite utiliser les moyens nécessaires pour fixer l'appareil au sol.

Les installations de maisons préfabriquées ou mobiles exigent qu'un appareil à combustible solide soit fixé au sol de la maison mobile. Pour cet appareil, il y a deux façons de le faire.

- **CHAUD LORS DU FONCTIONNEMENT.** Ne pas toucher les surfaces chaudes du poêle. Apprenez aux enfants les dangers des poêles à haute température. Une surveillance doit être exercée lorsque des enfants se trouvent dans la pièce où le poêle est installé.
- Ne jamais utiliser d'essence, d'huile à lampe, de kérosène, de liquide d'allumage pour charbon ou dans ce poêle; sembler pour commencer ou rallumer le feu dans ce poêle. Conservez ces produits loin du poêle lorsque ce dernier est en fonction.
- Ne pas placer d'éléments combustibles sur le dessus ou autour de ce poêle.
- Le couvercle de chargement et la partie supérieure du poêle peuvent devenir chauds lors de l'opération; vous devriez donc toujours utiliser l'outil fourni ou toute autre protection des mains lorsque vous rechargez le poêle.
- **AVERTISSEMENT: NE PAS INSTALLER DANS UNE CHAMBRE À COUCHER.**
- **L'INTÉGRITÉ STRUCTURELLE DU PLANCHER, DU MUR ET DU PLAFOND/TOIT DE LA MAISON MOBILE DOIT ÊTRE CONSERVÉE.**
- Un détecteur de fumée fonctionnel doit être installé dans la même chambre que le produit.
- Installez les événements aux dégagements indiqués par le fabricant des conduits d'aération.
- Ne branchez pas l'événement d'un autre appareil ou poêle.
- N'installez pas un registre de tirage clapet manuel dans le système d'évacuation.
- Ce radiateur à bois nécessite des inspections ou réparations périodiques pour un fonctionnement adéquat. Une utilisation de ce radiateur à bois ne respectant pas les directives du présent manuel contrevient aux réglementations fédérales.
- Votre poêle nécessite un entretien et un nettoyage périodiques (consulter « Entretien »). Le mauvais entretien de votre poêle pourrait mener à une opération impropre ou non sécuritaire.
- Laissez le temps au poêle de se refroidir avant de le nettoyer ou d'effectuer son entretien. Les cendres doivent être jetées dans un récipient en métal recouvert d'un couvercle bien ajusté, puis être déplacées à l'extérieur immédiatement. Le contenant fermé des cendres doit être placé sur une surface non combustible, ou sur le sol, loin des matériaux combustibles, jusqu'à l'élimination finale.
- Ne tentez jamais de réparer ou de remplacer une pièce du poêle, à moins que des instructions à cet effet soient inscrites

# INTRODUCTION

Les instructions relatives à l'installation de votre radiateur aux granules respectent les normes UL 1482 (R2015) et ULCS-5627-2000. Ce manuel décrit l'installation et le fonctionnement du radiateur aux granules de Breckwell, modèle SP2047. Ce radiateur respecte les limites d'émission 2020 de la U.S. Environmental Protection Agency pour les chauffages au bois solide vendus après le 15 mai 2020. Sous les conditions spécifiques du test, ce radiateur a démontré un taux de chauffage de 16 030 à 33 684 Btu/h. Cette a atteint un taux d'émission de particules de 0,41 g / h et un rendement de 75%.

Combustible:	Granules de bois dur de la meilleure qualité
Couleurs:	Noir
Diamètre du conduit de raccordement:	152,5 mm (6 po)
Type de tuyau de raccordement:	(Régulier à paroi unique à double paroi)
Hauteur minimum de la cheminée:	Noir ou acier bleu 650 °C (2 100 °F)
Dimensions:	3,7 m (12 pi)
Mesures globales:	Profondeur x largeur x hauteur: 621 mm x 480 mm x 1 078 mm (24,4 po x 18,9 po x 42,4 po)
Ouverture de la porte:	Largeur x hauteur: 293 mm x 315 mm (11,5 po x 12,4 po)
Porte en verre pyrocéramique: (De vue) largeur x hauteur:	261 mm x 261 mm (10,25 po x 10,25 po)

## PRISES EN COMPTE DU COMBUSTIBLE

Voire poêle à granules est conçu et testé à l'aide de granules de la meilleure qualité qui répondent aux normes du PFI (Pellet Fuels Institute). Une densité minimale de 640,7 kg/m<sup>3</sup> (40 lb/pi<sup>3</sup>), un diamètre entre 6 mm et 7,9 mm (1/4 po et 5/16 po), une longueur inférieure à 38,1 mm (1,5 po), une quantité minimale de 8 200 BTU/lb, une humidité inférieure à 8 % du poids, une quantité de cendre inférieure à 1 % du poids et une quantité de sel inférieure à 300 parties par million. Les granules molles contenant une quantité excessive de sciure de bois, qui ont été mouillées ou qui sont mouillées, procureront une performance réduite. Entrezposez vos

# PRÉCAUTIONS EN MATIÈRE DE SÉCURITÉ

- **IMPORTANT:** Veuillez lire ce manuel avant d'installer et d'utiliser ce produit. Le non-respect des instructions risque de provoquer des dommages, des blessures, voire la mort. Une bonne installation de ce poêle est primordiale afin d'assurer la sécurité et une opération efficace.
- Communiquez avec les entités ou les responsables locaux de la construction ayant juridiction afin d'obtenir un permis et des renseignements concernant toute restriction quant à l'installation ou toute exigence quant à l'inspection dans votre région.

- PRÉCAUTIONS:**
- **Chaud lors du fonctionnement. Éloignez les enfants, les vêtements et les meubles. Le contact peut provoquer des brûlures à la peau.**
  - **Ne pas utiliser de produits chimiques ou de fluides pour allumer le feu.**
  - **Ne pas brancher ou ne pas utiliser en conjonction avec un système de réseau de gaines.**
  - **Fermez toujours la porte après l'allumage. Ne jamais utiliser le radiateur si la porte est ouverte.**

granules dans un endroit sec. NE PAS ENTREPOSER le carburant dans les espaces autour de l'appareil ou dans l'espace requis pour l'alimentation et l'élimination des cendres. Ceci pourrait causer un incendie résidentiel.

1. Des ordures;
2. Des déchets de tonte ou résidus de jardin;
3. Des matériaux contenant du caoutchouc, incluant les pneus;
4. Des matériaux contenant du plastique;
5. Des déchets de produits du pétrole, des peintures ou diluants à peinture, ou des produits d'asphalte;
6. Des matériaux contenant de l'amiante;
7. Des débris de construction ou de démolition;
8. Des traverses de voie ferrée ou bois traité sous pression;
9. Du fumier ou des restes d'animaux;
10. Du bois de grève en eau salée ou autres matériaux précédemment saturés par de l'eau salée;
11. Du bois non séché; ou
12. Des produits du papier, carton, contreplaqué, ou panneau de particules. L'interdiction de brûlage de ces matériaux n'interdit pas l'utilisation d'allume-feu composés de papier, carton, sciure de bois, cire et substances similaires, aux fins de démarquer le feu dans un radiateur au bois modifié.

Ne jetez pas ce manuel. Ce manuel comprend d'importantes instructions d'opération et d'entretien qui vous serviront plus tard. Suivez toujours les instructions de ce manuel. Cet appareil est conçu pour être utilisé avec un combustible sous forme de granules qui respectent ou dépassent la norme du Pellet Fuel Institute (PFI). L'utilisation d'autres combustibles annulera la garantie. Cet appareil est un radiateur autoportant. L'appareil n'est pas destiné à être rattaché à tout type de tuyauterie. Ce n'est pas une fourniture.

# BRECKWELL



## Modèle SP2047



Ce manuel peut être modifié sans préavis.

TOUTES LES PHOTOS MONTRÉES SONT UNIQUEMENT À DES FINS ILLUSTRATIVES. LE PRODUIT RÉEL PEUT VARIER EN RAISON DE L'AMÉLIORATION DU PRODUIT.

Cet appareil n'est pas destiné à être utilisé comme source principale de chaleur.

**US Environmental Protection Agency**  
Certifié conforme aux normes d'émissions de particules de 2020.

- CONSERVEZ CES INSTRUCTIONS. CE MANUEL VOUS PERMETTRA D'OBTENIR UN FONCTIONNEMENT EFFICACE ET FIABLE DE VOTRE RADIATEUR, TOUT EN VOUS PERMETTANT DE CORRECTEMENT COMMANDER LES PIÈCES DE RECHANGE. GARDEZ DANS UN ENDROIT SÉCURITAIRE POUR UNE CONSULTATION ULTÉRIEURE.
- ATTENTION! Lisez entièrement ce manuel avant d'installer ou d'utiliser votre nouveau radiateur individuel. Ne pas respecter ces instructions pourrait causer des dommages à la propriété, des blessures corporelles ou même la mort. Une installation incorrecte pourrait annuler votre garantie!
- AVIS DE SÉCURITÉ: Si ce radiateur n'est pas correctement installé, un incendie résidentiel pourrait se produire. Pour votre sécurité, respectez les instructions d'installation. Ne faites jamais de compromis sur la qualité pendant l'installation de ce radiateur. Communiquez avec les responsables en bâtiment ou le service d'incendie local au sujet des permis, restrictions et exigences d'installation de votre région.

Cet appareil est homologué pour les installations au Canada et aux États-Unis. Testé conformément au UL 1482-2011 (R2015) et au UL-C-S627-00 (R2016). Cet appareil peut être installé dans une maison mobile aux ÉTATS-UNIS SEULEMENT. Référez-vous aux marquages sur l'appareil pour obtenir de plus amples renseignements.

**AVERTISSEMENT CONCERNANT LA PROPOSITION 65 DE L'ÉTAT DE LA CALIFORNIE:**  
Ce produit peut vous exposer à des agents chimiques, y compris au monoxyde de carbone, lesquels sont reconnus dans l'état de la Californie comme causant le cancer et des malformations congénitales ou autres dommages au fœtus. Pour obtenir plus de renseignements, veuillez consulter le site [www.P65warnings.ca.gov](http://www.P65warnings.ca.gov)

227 Industrial Park Rd. • South Pittsburg, TN 37380 •  
Phone: 800-750-2723 • Web: [www.breckwell.com](http://www.breckwell.com)



Report Number: F19-465