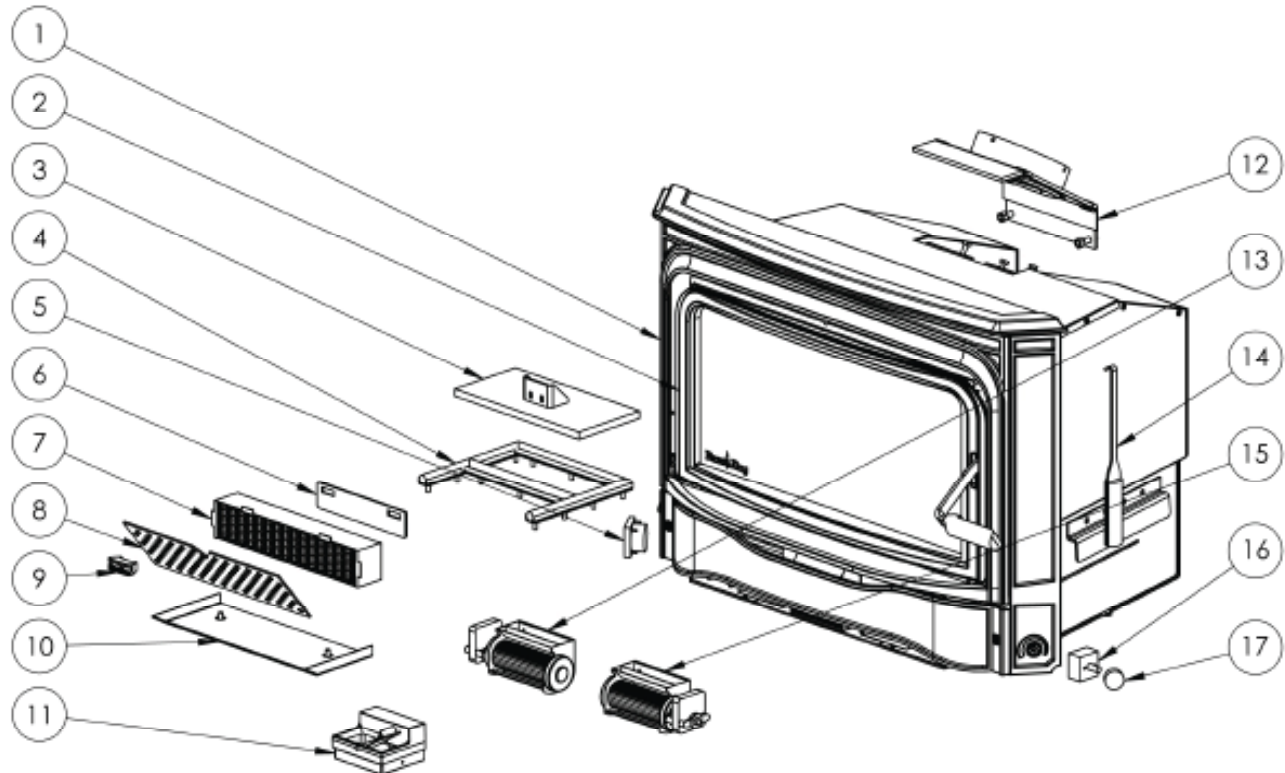


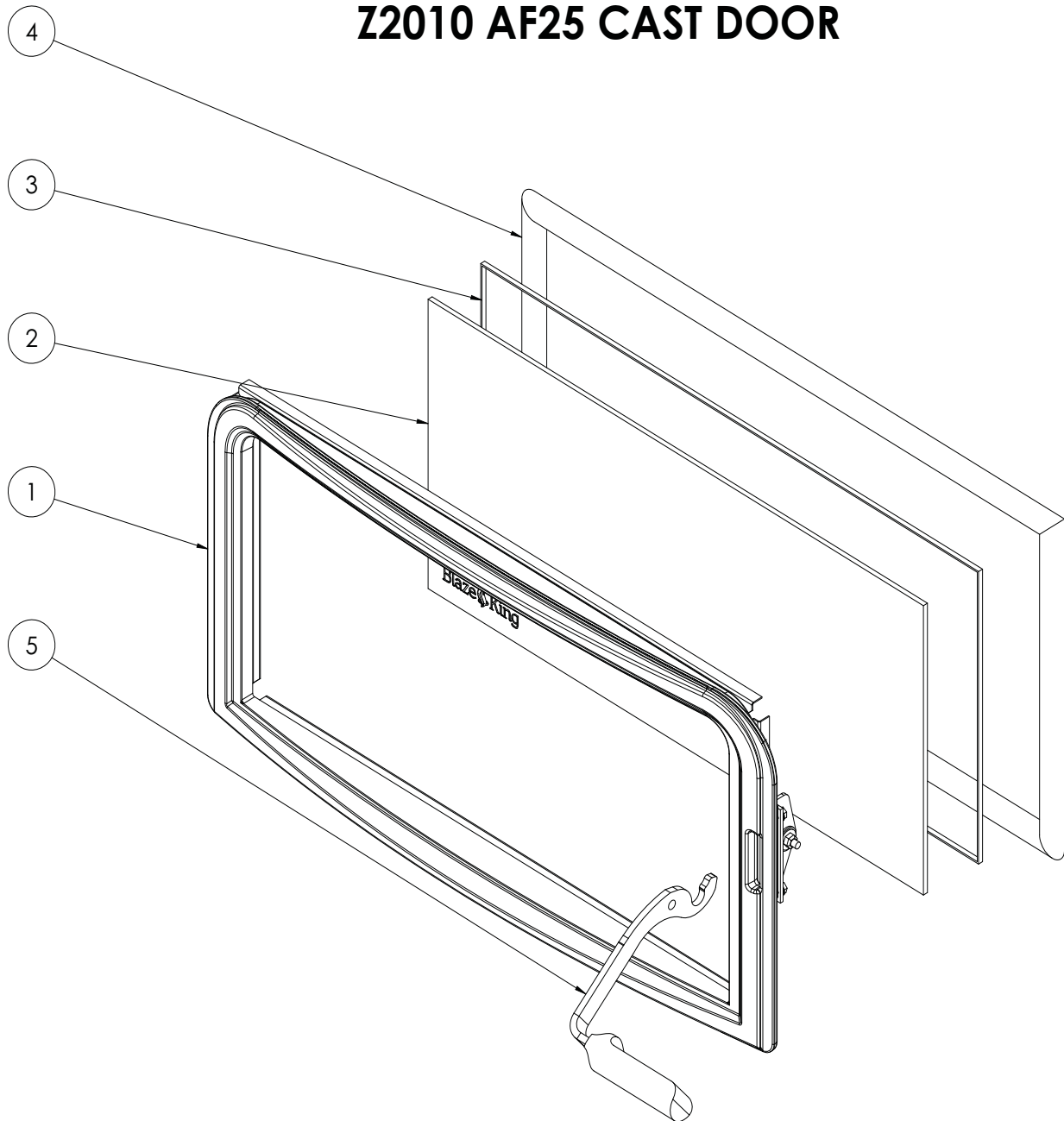
# REPLACEMENT PARTS



ITEM NO.	PART NUMBER	DESCRIPTION	QTY.
1	Z2011	AF25 CAST ASSEMBLY	1
2	Z2010	AF25 CAST DOOR ASSEMBLY	1
3	Z2019	25 BYPASS DOOR ASSEMBLY	1
4	Z2022	25 BYPASS GASKET RETAINER ASSEMBLY	1
5	120.0800	ANALOG CAT THERMOMETER	1
6	2049	SMOKE BAFFLE	1
7	Z0335	METAL COMBUSTOR	1
8	2030	FLAME SHIELD	1
9	110.2060	CAST BYPASS LATCH	1
10	Z2050	DOME GUARD ASSEMBLY	1
11	Z2030	FLAME SHIELD	1
12	Z2015	REMOVABLE FLUE COLLAR ASSEMBLY	1
13	150.0710.L	FAN CROSS FLOW LEFT	1
14	Z2052	BYPASS HANDLE ASSEMBLY	1
15	150.0710.R	FAN CROSS FLOW RIGHT	1
16	145.0136	RHEOSTAT	1
17	220.0137	RHEOSTAT KNOB BLACK SILVER LINE	1

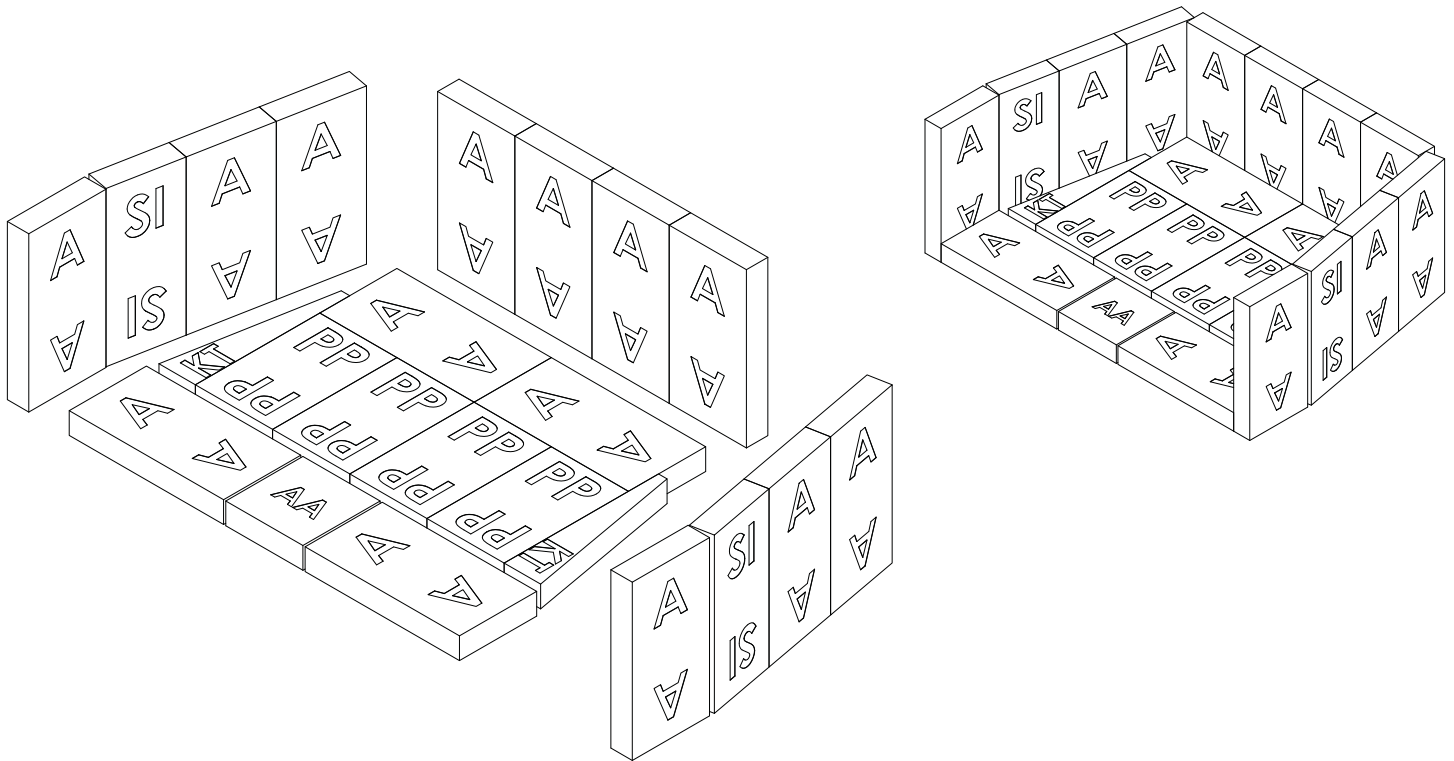
**REPLACEMENT PARTS**

**Z2010 AF25 CAST DOOR**



ITEM NO.	PART NUMBER	DESCRIPTION	QTY.
1	110.2010	AF25 CAST DOOR	1
2	130.0270	GLASS CERAMIC 5MM 25i	1
3	155.0254.AS	GASKET 1/8 X 3/4 W/PSA SPEC / FT	6.65
4	155.0186	GASKET 7/8 RND BLK MID / FT	7
5	2044	SC25 DOOR HANDLE	1

### Refractory Brick Layout



ITEM NO.	PART NUMBER	QTY.
1	A Size Brick	14
2	AA Size Brick	1
3	KT Size Brick	2
4	PP Size Brick	4
5	SI Size Brick	2