

AVALON™

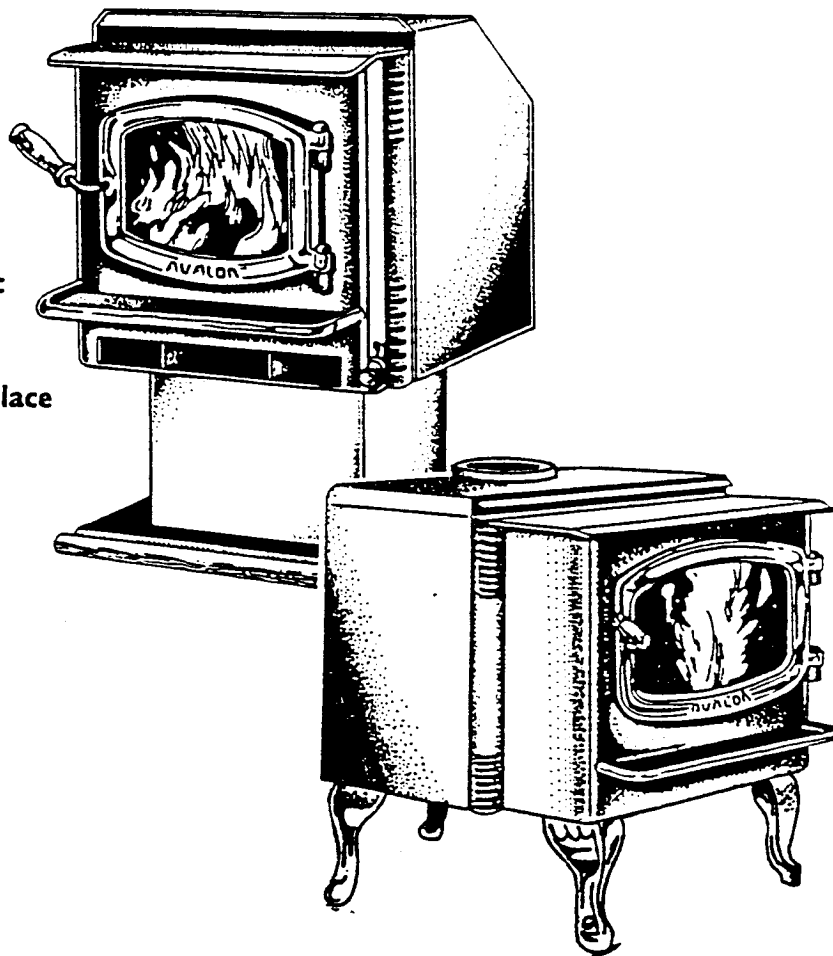
OWNER'S MANUAL

Preparation, Installation, Operation & Maintenance

KEEP THIS MANUAL

September, 1992

- Masonry
Fireplace Insert
- Zero Clearance
(Metal) Fireplace Insert
- Hearth Mount
Stove to Masonry Fireplace
- Residential
Freestanding Stove
- Freestanding
Mobile Home Stove
- Alcove



Model
796 Top Flue
796 45° Flue

E.P.A. Phase II Approved

Tested to U.L. 127, U.L. 1482, U.L. 907 Standards By:
Warnock Hersey Professional Services, LTD



Manufactured By

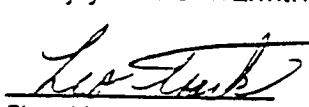
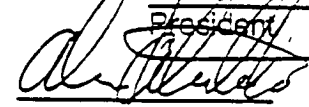

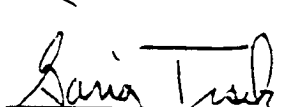
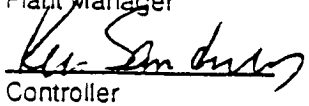
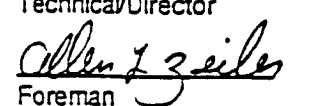
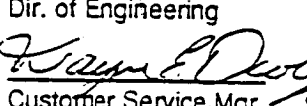
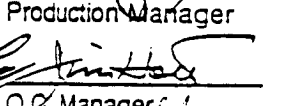
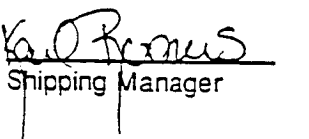
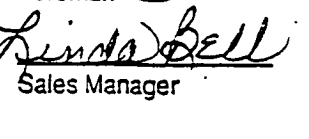
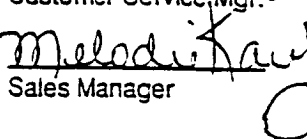
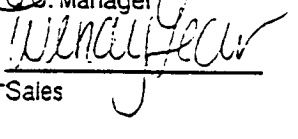
Travis Industries

10850 117th Place N.E. Kirkland, WA 98033

INTRODUCTION

We welcome you as a new owner of a wood heating appliance. In purchasing an Avalon 796 you have joined the growing ranks of concerned individuals whose selection of an energy system reflects both a concern for the environment and aesthetics. The Avalon 796 is one of the finest home heaters the world over. This manual will illustrate and detail the variety of uses and applications for your heating appliance. Please familiarize yourself with the Owner's Manual before installing your appliance and save the manual for future reference. This manual covers in detail the necessary steps required in assembling and installing your appliance to meet all safety codes. Included are helpful hints and suggestions which will make the installation and operation of your new appliance an easier and more enjoyable experience. We offer our continual support and guidance to help you achieve the maximum benefit and enjoyment from your appliance.

Many years of warmth,

 Plant Manager	 Technical Director	 Dir. of Engineering	 Production Manager
 Controller	 Foreman	 Customer Service Mgr.	 Q.C. Manager
 Shipping Manager	 Sales Manager	 Sales Manager	 Sales

IMPORTANT INFORMATION

Record Important Product Data Here

No other Avalon 796 appliance has the same serial number as yours. You will find the serial number on the backside of the appliance.

This serial number will be needed in case you require service of any type.

Model: _____

Serial Number: _____

Purchase Date: _____

Purchased From: _____

Mail your Warranty Card Today, and Save Your Bill of Sale.

To receive full warranty coverage, you will need to show evidence of the date you purchased your appliance. Do not mail your Bill of Sale to us.

We suggest that you attach your Bill of Sale to this page so that you will have all the information you need in one place should the need for service or information occur.

SAFETY PRECAUTIONS

- VIEWING DOOR MUST BE CLOSED AND LATCHED DURING OPERATION.
- THE APPLIANCE IS DESIGNED AND APPROVED FOR BURNING OF WOOD ONLY. THE BURNING OF ANY TYPE FUEL OTHER THAN WOOD WILL VOID ALL WARRANTIES AND SAFETY LISTING OF THE APPLIANCE. DO NOT ATTEMPT TO BURN ANY OTHER FUEL THAN SPECIFIED IN THIS MANUAL.
- THIS APPLIANCE MUST BE PROPERLY INSTALLED IN ORDER TO PREVENT THE POSSIBILITY OF A HOUSE FIRE. FOR YOUR SAFETY THE INSTALLATION INSTRUCTIONS MUST BE STRICTLY ADHERED TO. DO NOT USE MAKESHIFT METHODS OR COMPROMISE IN INSTALLATION.
- THE FLUE SYSTEM SHOULD BE CHECKED TWICE A YEAR MINIMUM FOR ANY BUILD-UP OF SOOT OR CREOSOTE.
- CONTACT YOUR LOCAL BUILDING OFFICIALS TO OBTAIN A PERMIT AND INFORMATION ON ANY INSTALLATION RESTRICTIONS OR INSPECTION REQUIREMENTS IN YOUR AREA. ALSO, NOTIFY YOUR INSURANCE COMPANY THAT YOU ARE INSTALLING YOUR WARNOCK HERSEY LISTED STOVE OR INSERT.
- GASOLINE OR OTHER FLAMMABLE LIQUIDS MUST NEVER BE USED TO START THE FIRE OR "FRESHEN-UP" THE FIRE. DO NOT STORE OR USE GASOLINE OR OTHER FLAMMABLE LIQUIDS IN THE VICINITY OF THIS APPLIANCE.
- THIS APPLIANCE MUST BE CONNECTED TO A LISTED HIGH TEMPERATURE RESIDENTIAL TYPE CHIMNEY OR AN APPROVED MASONRY CHIMNEY WITH A STANDARD CLAY, TILE, OR STAINLESS STEEL LINER.
- NEVER BLOCK FREE AIRFLOW THROUGH OPEN VENTS.
- ASHES MUST BE DISPOSED OF IN A METAL CONTAINER WITH A TIGHT FITTING LID, AND PLACED ON A NON-COMBUSTIBLE SURFACE BEFORE FINAL DISPOSAL.
- NEVER TRY TO REPAIR OR REPLACE ANY PART OF THE APPLIANCE UNLESS INSTRUCTIONS ARE GIVEN IN THIS MANUAL. ALL OTHER WORK SHOULD BE DONE BY A TRAINED TECHNICIAN.
- DO NOT MAKE ANY CHANGES OR MODIFICATIONS TO THE APPLIANCE OR AN EXISTING MASONRY FIREPLACE OR CHIMNEY TO INSTALL THIS APPLIANCE.
- WAIT UNTIL THE APPLIANCE HAS COOLED BEFORE CARRYING OUT MAINTENANCE PROCEDURES.
- TRAVIS INDUSTRIES, INC. GRANTS NO WARRANTY, IMPLIED OR STATED, FOR THE INSTALLATION OR MAINTENANCE OF YOUR APPLIANCE, AND ASSUMES NO RESPONSIBILITY FOR ANY CONSEQUENTIAL DAMAGE(S).
- ALWAYS FOLLOW THE INSTRUCTIONS IN THE OWNER'S MANUAL.
- KEEP THIS MANUAL FOR LATER USE.
- DO NOT INSTALL IN A SLEEPING ROOM WHEN INSTALLING IN A MOBILE HOME.
- DO NOT CONNECT THIS APPLIANCE TO ANY CHIMNEY SERVING ANOTHER APPLIANCE.
- KEEP FURNITURE, DRAPES, CURTAINS, WOOD, PAPER AND OTHER COMBUSTIBLES A MINIMUM OF 36" AWAY FROM THE APPLIANCE.

TABLE OF CONTENTS

Page

IMPORTANT INFORMATION

INTRODUCTION.....	1
SAFETY PRECAUTIONS.....	2
FEATURES AND SPECIFICATIONS.....	4
CHIMNEY INFORMATION & REGULATIONS.....	5
The 3-Foot, 2-Foot, 10-Foot Rule.....	5
Factory-Built Chimneys.....	6
Determining the Distance Between the Chimney and Combustibles.....	6
Masonry Chimneys.....	7

FREESTANDING INSTALLATION

FREESTANDING OPTIONAL EQUIPMENT.....	8
PREPARATION FOR INSTALLATION - FREESTANDING.....	14
FREESTANDING INSTALLATION - SPECIFICATIONS.....	15
FREESTANDING INSTALLATION	
Standard Ceiling Installation.....	17
Cathedral Ceiling Installation.....	18
Horizontal Installation Into Factory-Built Chimney.....	19
Hearth Stove Installation Using a Positive Connection.....	20
Hearth Stove Installation Using a Direct Connection.....	22
Hearth Stove Installation Using a Horizontal Connection.....	24
Mobile Home Installation.....	26
Alcove Installation.....	27

MASONRY FIREPLACE INSERT INSTALLATION

INSERT OPTIONAL EQUIPMENT.....	28
INSULATION INSTALLATION INSTRUCTIONS.....	30
PREPARATION FOR INSTALLATION - MASONRY FIREPLACE INSERT.....	32
MASONRY FIREPLACE INSERT - SPECIFICATIONS.....	33
MASONRY FIREPLACE INSERT INSTALLATION	
Installation Using a Direct Connection.....	35
Installation Using a Positive Connection.....	37
Installation Using a Face Seal Connection.....	39
INSTALLATION OF A FIREPLACE BLOCK-OFF PLATE.....	40

ZERO CLEARANCE (METAL) FIREPLACE INSTALLATION

PREPARATION FOR INSTALLATION - ZERO CLEARANCE (METAL) FIREPLACE.....	42
ZERO CLEARANCE (METAL) FIREPLACE - SPECIFICATIONS.....	43
ZERO CLEARANCE (METAL) FIREPLACE INSTALLATION.....	45

OPERATING YOUR APPLIANCE

OPERATING YOUR APPLIANCE.....	47
Location and Use of Controls.....	47
Burning Procedure.....	48
Burning Your Appliance Efficiently.....	49
Daily Use of Your Appliance.....	49
Wood.....	50
Seasoning Wood.....	51
Storing Wood.....	53

CARE AND MAINTENANCE

CARE AND MAINTENANCE.....	56
Maintenance Schedule.....	56
Maintenance Instructions.....	56

BEFORE CALLING FOR SERVICE

BEFORE CALLING FOR SERVICE.....	59
---------------------------------	----

REPLACEMENT PARTS AND REMOVAL INSTRUCTIONS

Replacement Parts.....	60
Removal Instructions.....	60
5-YEAR WARRANTY.....	66
SAFETY LABEL.....	67

FEATURES AND SPECIFICATIONS

- | | |
|--|-------------------------|
| * EPA Phase II Approved | <u>CONVENIENT</u> |
| * 1.3 Cubic Foot Firebox Capacity | |
| * 3/16" and 1/4" Steel Plate Construction | <u>HIGH HEAT OUTPUT</u> |
| * Long Burn time - Up to 8 Hours | |
| * Heavy Duty Firebrick Lining | <u>VERSATILE</u> |
| * Conveniently Located Single Combustion Air Control | <u>CLOSE CLEARANCES</u> |
| * 17" Log Length Capacity | <u>DURABLE</u> |

Heating Capacity.....	600 to 1,200 sq. ft.	
Maximum B.T.U.'s/hr	64,200 (Cord Wood)	
Overall Efficiency	68 % (Oregon Method)	
Emissions grams/hr	3.0 (EPA Method)	
Maximum Burning Time (Hours).....	8	
Flue Opening Diameter	6"	
Height from floor to top of stove on:	796 45° Flue	796 Top Flue
Steel Legs	26 5/8"	26 3/4"
Brass Legs.....	28"	28 1/8"
Cast Legs	28"	28 1/8"
Pedestal	31 5/8"	31 3/4"
Overall Width	23 5/8"	23 5/8"
Overall Depth (Including Ashlip).....	20 1/2"	21 1/8"
Weight.....	305 lbs. (On Pedestal)	
Fuel	Solid Wood Only	

Emissions, Efficiency, Heating Capacity and Burn Times may vary depending on actual home floor plan, type of fuel used, and moisture content of wood. Emissions and efficiency numbers are those that have been certified by the U.S. E.P.A. and the Oregon Department of Environmental Quality.

CHIMNEY INFORMATION & REGULATIONS

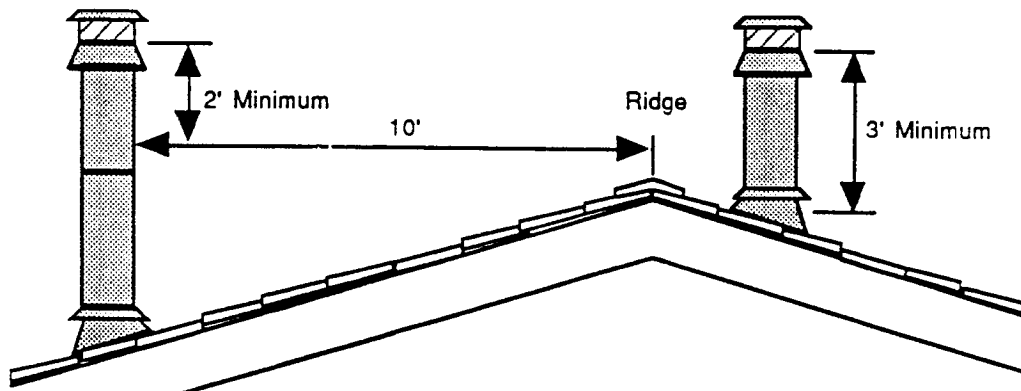
Whether you install your wood heating appliance with a factory-built chimney or masonry chimney, there are certain rules that must be followed. The following guidelines for chimney installation are included in this manual to augment the information supplied with either the manufacturer's information for factory-built chimneys or to insure that your present masonry chimney is suitable for this wood heating appliance. Do not use makeshift methods or compromise in installation of any chimney equipment.

The 3-Foot, 2-Foot, 10-Foot Rule

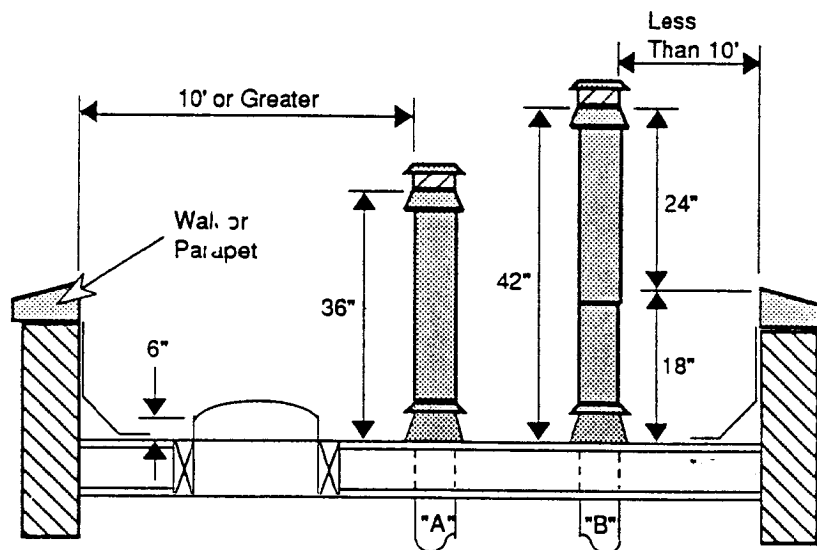
The 3-foot, 2-foot, 10-foot rule states that **all** chimneys (factory-built or masonry) must be:

1. At least 3 feet higher than the highest part of the roof opening through which it passes;
2. And at least 2 feet higher than any part of the roof within 10 feet, measured horizontally. A chimney must meet requirement #1 *and* requirement #2. This rule, required by all building codes, applies to both factory-built and masonry chimneys.

Minimum Chimney Height on a Sloped Roof



Minimum Chimney Height on a Flat Roof



These minimum chimney heights are required by building codes for safety purposes, to allow time for sparks exiting a chimney to cool before they land on the roof. In some problematic situations, additional chimney height above the specified minimums may be necessary to reduce wind-induced down drafting and back puffing, or to increase draft, thereby improving appliance operating characteristics.

CHIMNEY INFORMATION & REGULATIONS (Cont.)

Factory-Built Chimneys

Depending on the manufacturer and where the chimney is to be installed, special supports, roof assemblies, radiation shields, or locking bands may be supplied as a part of the chimney system. The manufacturer's installation instructions, which are reviewed by the listing agency, specifies when and where each of these components must be used.

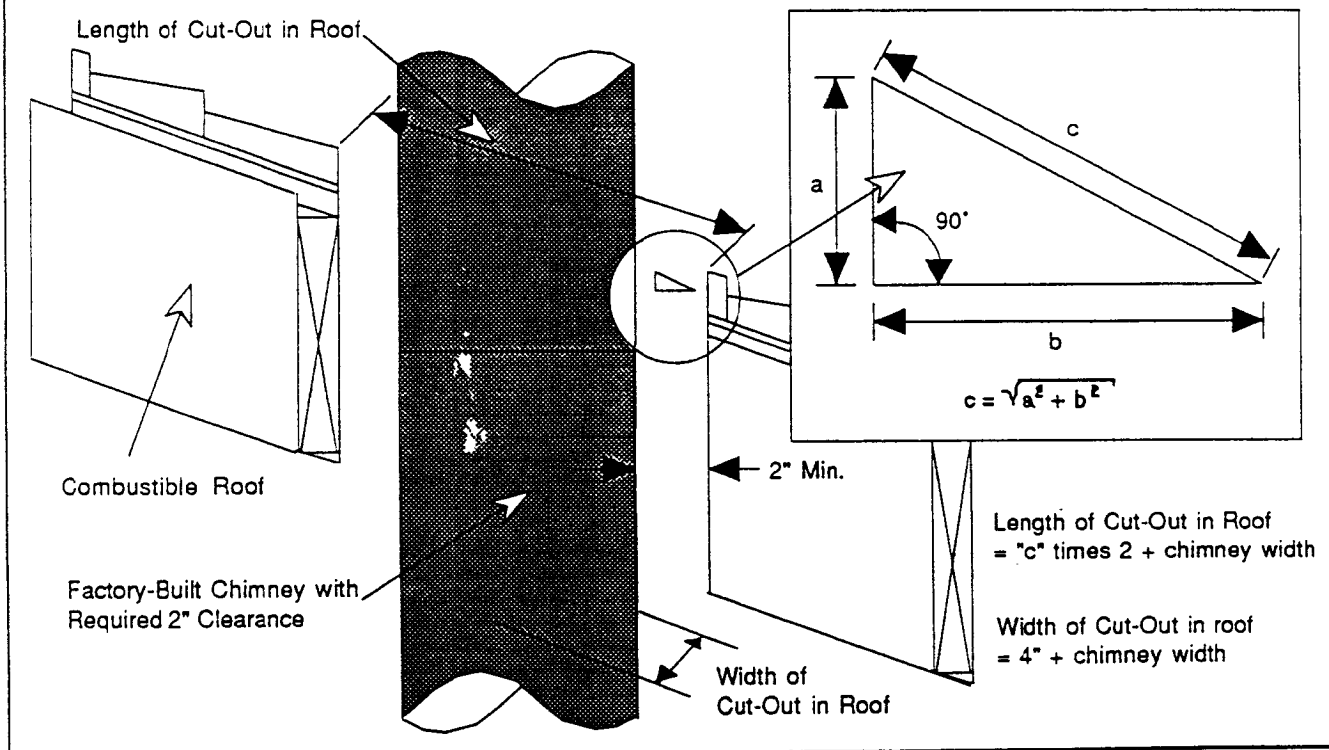
There are three standard installations with factory-built chimneys. Each type of installation should use flashing and an adjustable storm collar at the roof line to prevent water from entering the house. Manufacturers require that chimneys extending beyond a certain height above the roof (frequently above 5 feet) must also be braced.

A chimney cap keeps out rain, birds and other animals, and may reduce down drafts. Spark arresters, wire mesh devices designed to catch sparks and burning particles emitted with the smoke, may be included with factory-built chimney caps. These spark arresters may become encrusted with creosote, blocking the proper flow of flue gases out of the chimney. When burning wood, it is recommended that the spark arrester be cleaned regularly, or removed entirely unless individual conditions or local codes require their use.

Determining the Distance Between the Chimney and Combustibles

The chimney must be kept a minimum distance of 2" away from combustibles (e.g., drywall, wood framing, etc.). The distance between the outside surface of a chimney and combustibles is measured horizontally, at right angles to the chimney. The pitch of the platform (e.g., the roof) must be considered in calculating the size of the hole that is cut.

Calculating the Cut-Out on a Slanted Roof



CHIMNEY INFORMATION & REGULATIONS (Cont.)

Determining the Distance Between the Chimney and Combustibles (Continued)

Installers may find it convenient to create hole cut-out templates for pitches common to their area rather than performing the calculations or using a trial "cut and measure" system for each installation.

Carefully read the specifications, as minimum clearances other than 2 inches are sometimes required by the manufacturer. Maintain a minimum clearance of 2" or what the manufacturer requires, **whichever is greater**.

Masonry Chimneys

If you are going to use an existing masonry chimney for your wood heating appliance make sure the chimney is inspected and found in good and safe condition. If the existing chimney is not in good condition repairs should be made before installation.

WARNING:

Do not connect this unit to a chimney flue serving another appliance.
Do not use makeshift compromises in the installation.

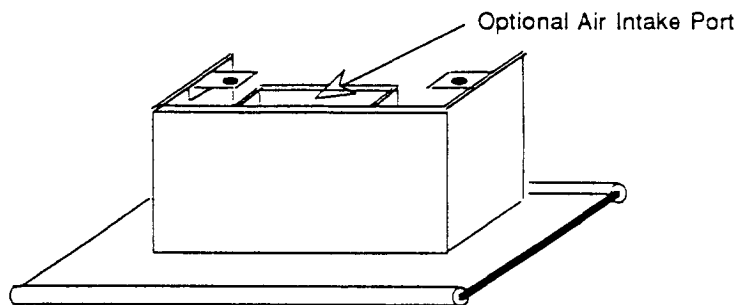
FREESTANDING OPTIONAL EQUIPMENT

Your Avalon 796 appliance comes completely assembled. The options available for the freestanding method of installation are listed below and require assembly.

1. Pedestal (With Solid Oak Trim)
2. Leg Kit, Steel
3. Leg Kit, Brass
4. Leg Kit, Cast
5. Avalon Blower, Rear (For Use With Pedestal Only)
6. Universal Blower, Rear (For 796 Top Flue Only)
7. Blower, Front
8. Outside Air Kit (For Use With Pedestal Only)
9. Outside Air Boot (For Use With Legs Only)

1. Pedestal Assembly:

Open the box marked Pedestal and remove the pedestal and the two attachment bolts and washers (3/8" diameter - 16 x 3/4" hex. head bolts).

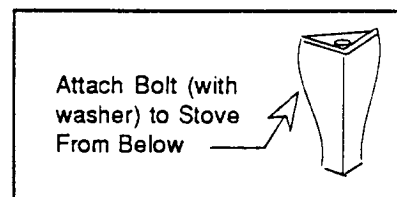


Lift the stove onto the pedestal. Line up the threaded bolt holes in the bottom of the stove with the two holes in the mounting angle of the pedestal. Using an open-end or socket wrench, fasten the pedestal to the stove with the supplied bolts and washers. The Solid Oak Trim attaches to the front and rear edge of the baseplate of the pedestal in the groove cut into the trim and is held in place by the weight of the stove. To attach the trim, lift up the front side of the pedestal 2" (with stove attached) and slide the trim onto the front edge, making sure it is aligned. Carefully lower the pedestal, making sure to keep the trim in place. Repeat the process for the rear trim.

2. Steel Leg Kit Assembly:

Open the box marked Steel Leg Kit and remove the four 6 1/2" high black steel legs, complete with rubber-tipped leveling bolts, the four attachment bolts (3/8" diameter - 16 x 3/4" hex. head bolts) and the washers.

Raise the stove on some pieces of lumber to a height of about 7". Line up the hole in the top of the leg with the threaded bolt hole in each corner of the stove bottom. Using a 9/16" open end or socket wrench, fasten the leg to the stove with the supplied attachment bolts and washers, making sure the legs are flush with the corners of the stove.



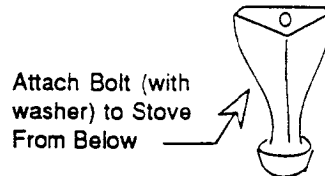
To level the stove, first make sure the leveling bolts with the rubber ends (some models come with steel bolts -- the same directions apply) are screwed into position and backed off just enough to penetrate below the steel portion of the leg. Unscrew each leveling bolt just enough so each leveling bolt is an equal distance from the floor. You may wish to use a piece of wood or other spacer to measure this distance. Next, lower the stove onto the ground and check for a level position. If slight adjustments need to be made, make sure to first raise the stove before turning the leveling bolts. The rubber tips of the leveling bolts will tear if they are adjusted while weight is applied to them.

FREESTANDING OPTIONAL EQUIPMENT (Continued)

3. & 4. Brass and Cast Legs Assembly:

Open the box marked Brass (or Cast) Leg Kit and remove the four 7 7/8" high legs, complete with rubber-tipped leveling bolts, the four attachment bolts (3/8" diameter - 16 x 3/4" hex. head bolts) and the washers.

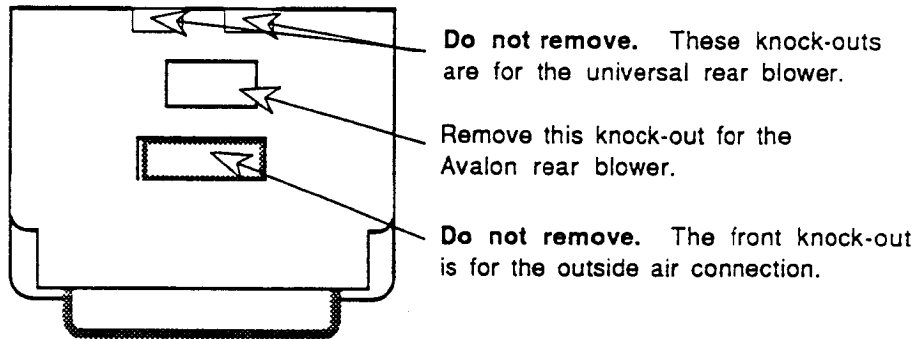
Use the same directions listed above for the steel legs assembly. The one difference is that the brass (or cast) legs are taller, and the stove should be lifted approximately 8 1/2" above the floor before attachment.



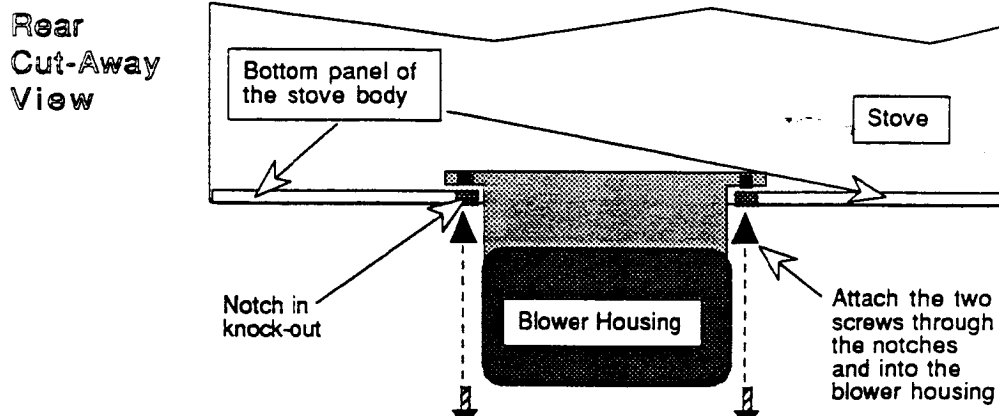
5. Avalon Blower, Rear (For Use With Pedestal Only)

The Avalon rear blower is designed to improve the natural convection of this stove by pushing air through the convection chamber of the stove and causing the heated air to exit through the vent along the top of the stove. Follow the directions below to attach the blower.

1. The stove should be attached to the pedestal. Before installing the blower, first remove the 6" x 4" knock-out on the bottom rear of the stove by prying it out with a screwdriver (this is the opening to the convection chamber).



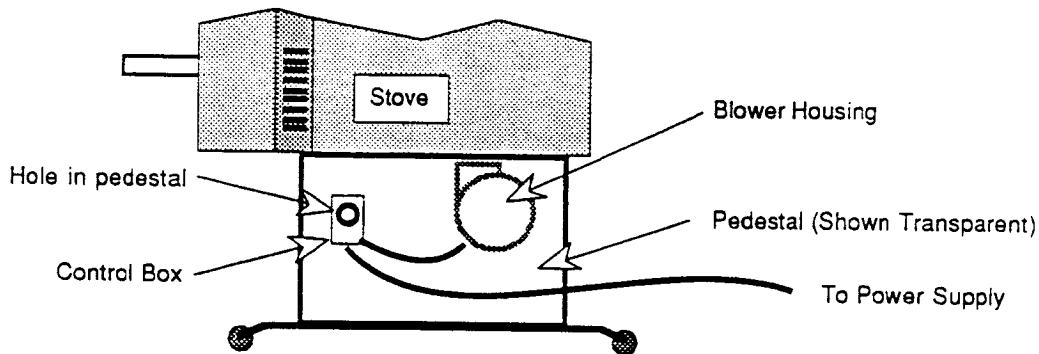
2. Place the right side of the blower bracket up inside the knock-out first. Move the blower to the right until the left side bracket can be inserted.
3. Center the blower evenly in the knock-out. Attach the two screws provided with the blower to the blower through the notches in the knock-out. This will hold the blower against the stove.



FREESTANDING OPTIONAL EQUIPMENT (Continued)

5. Avalon Blower, Rear (Continued)

- The blower has a control box which needs to be attached to the pedestal body. With the stove attached to the pedestal, locate the hole on the right side of the pedestal. Remove the knob on the control box and the nut that is on the threaded shaft located directly behind where the knob was. Feed the control box and wiring into the pedestal until the threaded shaft is directly behind the hole in the pedestal. Insert the threaded shaft through the hole from the back and re-attach the nut until the control box is secure against the pedestal. Re-attach the knob.

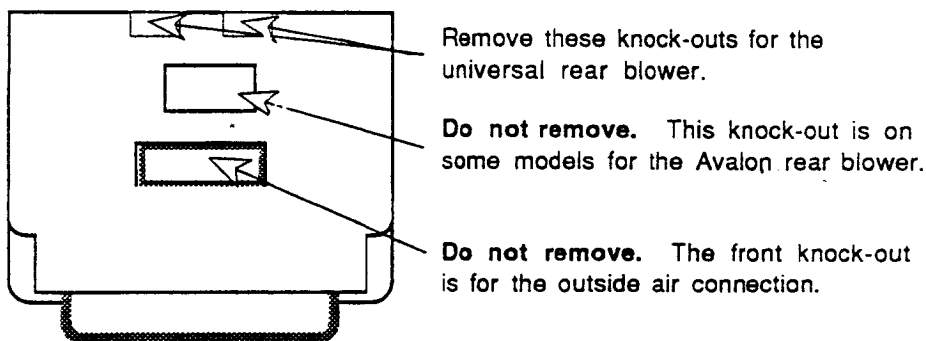


- Plug in the blower and test its operation. It should blow air out of the vent on top of the stove. The blower is turned off by turning it all the way counter-clockwise. Turning the knob clockwise will decrease the speed of the blower.

6. Universal Blower, Rear (For 796 Top Flue Only)

The universal rear blower is designed to improve the natural convection of the stove by pushing air through the convection chamber of the stove and causing the heated air to exit through the vents along the top of the stove. The blower mounts to the back of the stove centered on the lower edge with three screws. It also has a thermodisk assembly which turns the blower on and off automatically. Follow the directions below to attach the blower.

- Before installing the blower, first remove the two knock-outs on the bottom rear edge of the stove by prying them out with a screwdriver. They are approximately 1" by 6" and are located near the rear edge of the stove.

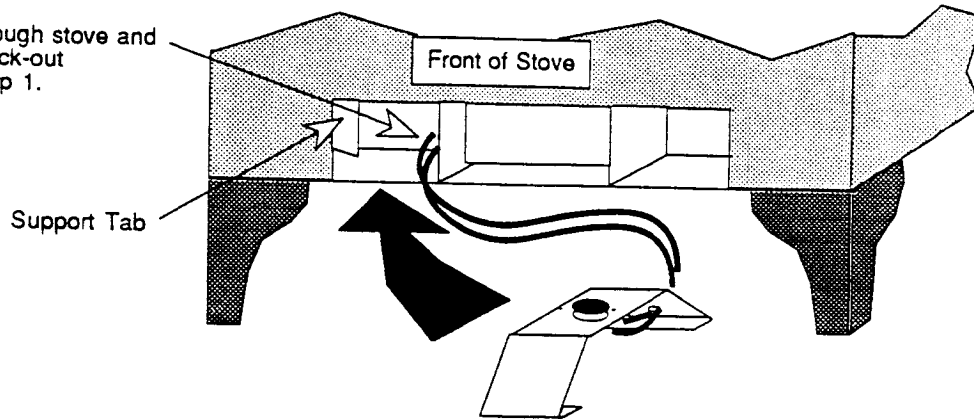


FREESTANDING OPTIONAL EQUIPMENT (Continued)

6. Universal Blower, Rear (Continued)

2. Feed the two wires coming from the thermodisk assembly through the stove and out the left side knock-out that was removed in step 1. Take the thermodisk assembly and insert it directly below the ashlip into the left side of the air intake. The thermodisk assembly should be positioned just behind the support tab that sits at an angle to the left front corner.

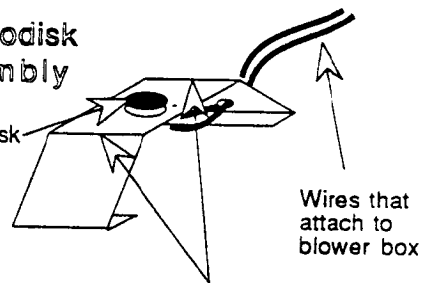
Feed wires through stove and out the left knock-out removed in step 1.



The thermodisk must come in contact with the bottom of the firebox when it is installed. To insure this, bend the metal portion of the thermodisk assembly up or down to create a snug fit.

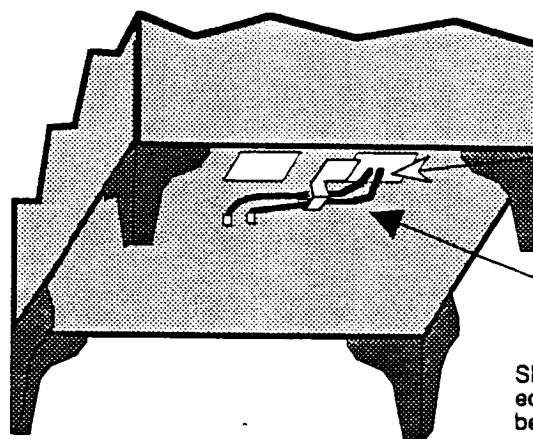
Thermodisk Assembly

Thermodisk



Bend metal up or down here to create a snug fit

Slide the wire clip over the edge of the strip of metal between the two knock-outs removed in step 1. Insert the two thermodisk wires into the eye of the wire clip and pull the slack wire out of the stove.



Feed the two thermodisk wires into the eye of the wire clip.

Slide the wire clip over the edge of the strip of metal between the two knock-outs.

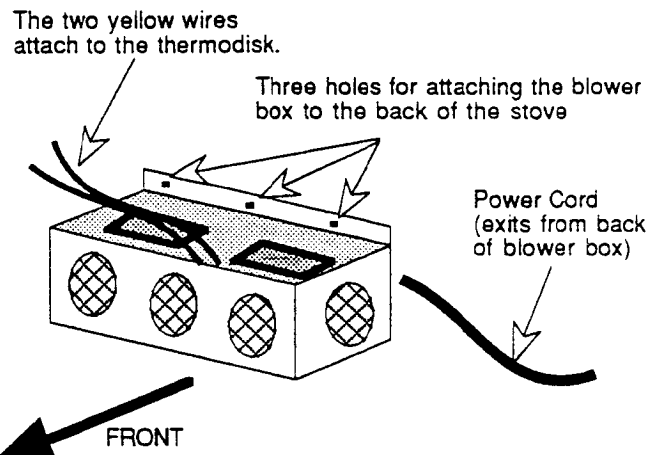
NOTE: The wires coming from the thermodisk assembly must not have too much slack – these wires pass near the firebox and can cause a short if the slack is not taken in and held in place with the wire clip. Do not pull so hard on the wires that you dislodge the thermodisk housing from its location.

There are two yellow wires coming out of the blower box. These two wires must exit the blower box from the top, not through the small access hole in the back. Re-route these wires so they exit out of the top of the blower box. Attach these two wires to the two wires coming from the thermodisk by connecting the mating quick-connects. It does not matter which wire from the blower box connects to which wire from the thermodisk assembly. Push all of the excess wire into the cavity inside the blower box.

FREESTANDING OPTIONAL EQUIPMENT (Continued)

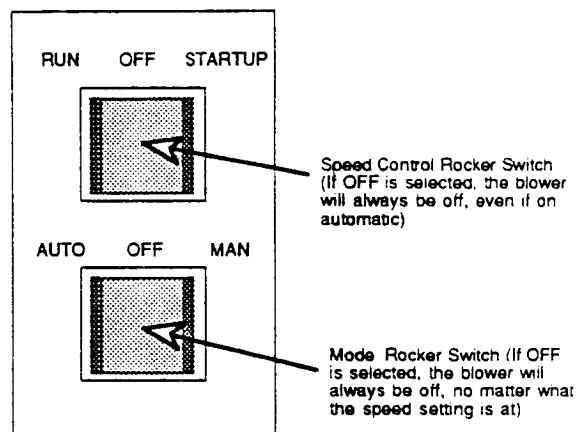
6. Universal Blower, Rear (Cont.)

- Place the blower box near the bottom rear of the stove and push any slack wire into the blower box so that when the blower box is attached the excess wire will not contact the stove.
- Attach the blower box to the bottom rear of the stove with the three screws provided. Push the blower box up against the stove while tightening the screws.



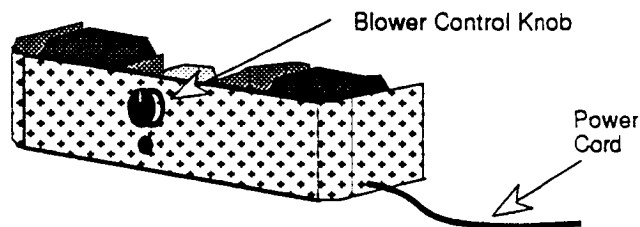
UNIVERSAL REAR BLOWER OPERATION

The blower controls are located on the switch box that is connected by a cord to the blower. There are two rocker switches that determine the speed and mode (automatic or manual) of the blower. The two speeds are RUN (slower) and STARTUP (faster). The two modes are AUTO (the thermodisk controls the switch and the temperature of the firebox will determine when the blower starts or stops) and MAN (manual – the blower will run on the speed setting selected). The blower should be switched "OFF" for approximately 30 minutes after each reload of the stove. This is to allow the stove to reach operating temperature.

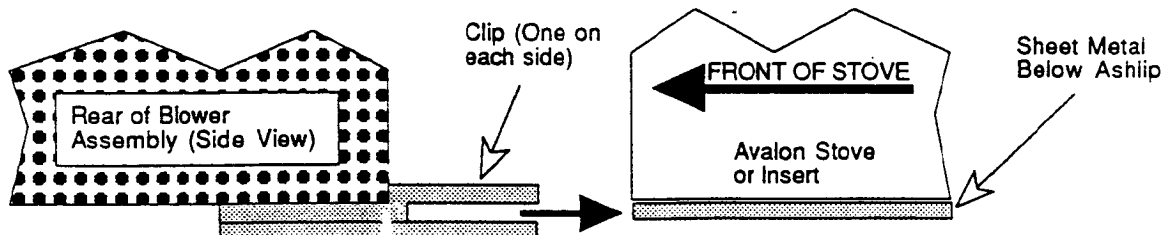


7. Blower, Front

The front blower is designed to improve your appliance's natural convection by pushing heated air through the convection chamber and out of the vents along the top.



- Carefully slide the blower assembly underneath the ashlip so that the two clips on the lower back edge of the blower assembly slide over the front edge of the sheet metal under the appliance. You should be able to feel the blower assembly snap into place as you slide it in. This is all the assembly needed to attach the blower assembly.



- Plug in the blower and test its operation. It should blow air out of the vents on top of the appliance. The blower is turned off by turning it all the way counter-clockwise. Each click clockwise will increase the speed of the blower.

FREESTANDING OPTIONAL EQUIPMENT (Continued)

8 & 9. Outside Air Kit (Pedestal Only) and Outside Air Boot (Legs Only)

The outside air kit and boot are options that allow the stove to use outside air for combustion instead of room air. This is a requirement for mobile home installations. Both the outside air kit and boot work in the same fashion. Instead of having the air enter through the air intake under the ashlip, the outside air kit and boot re-route the air intake so the air is drawn from outside. This section will address the special installation factors that must be considered when installing this model of stove with an outside air kit or boot.

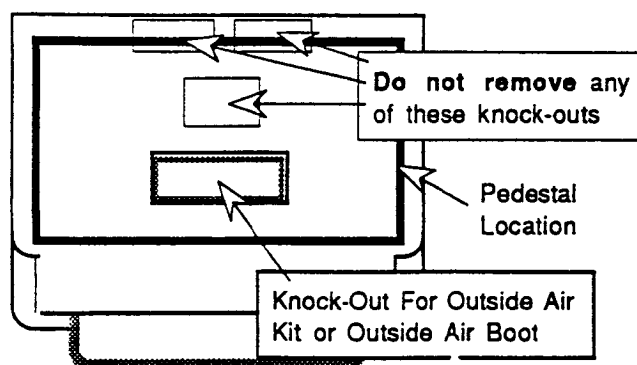
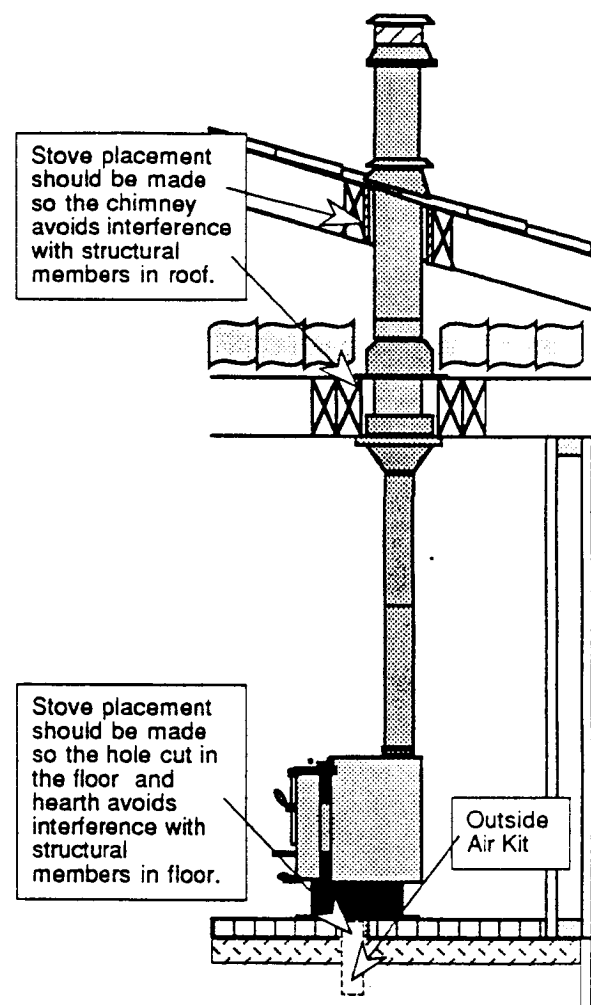
THE SPECIFIC INSTRUCTIONS FOR INSTALLING THE OUTSIDE AIR KIT AND OUTSIDE AIR BOOT ARE INCLUDED WITH THOSE KITS AND MUST BE READ PRIOR TO INSTALLING THE STOVE.

The most important factor that must be considered when installing an outside air kit or boot with your stove is placement. Make detailed plans to determine the precise location for your stove. When installing the outside air kit or boot there are two placement considerations that must be addressed simultaneously. They are:

1. Does the stove line up with the flue in the right location, avoiding structural members of the roof?
2. Does the hole that is cut in the floor and hearth for the outside air kit or boot avoid all structural members of the floor?

These two questions must be considered in determining the final location for the stove. To determine the size, shape, and location of the hole in the hearth and floor, refer to the directions included with the outside air kit and boot. To determine the size and location of the hole in the roof, refer to the directions included with the chimney being used and the location of the flue collar in the section "FREESTANDING INSTALLATION - SPECIFICATIONS"

See the illustration to the right.



After the precise location of the stove is determined, the outside air kit or boot should be installed prior to installing the stove. Follow the directions included with the outside air kit or boot. Make sure to remove the correct knock-out for the outside air kit or boot. See the illustration to the left.

PREPARATION FOR INSTALLATION - FREESTANDING

READ THIS ENTIRE MANUAL BEFORE YOU INSTALL AND USE YOUR NEW APPLIANCE. FAILURE TO FOLLOW INSTRUCTIONS MAY RESULT IN PROPERTY DAMAGE, BODILY INJURY, OR EVEN DEATH.

PREPARATION:

1. Remove all tape and packaging.
2. Remove the wood shipping frame from around and under the appliance.
3. Check that no parts have become loose and the appliance has not been damaged during shipping.
4. Remove the hardware pack from the appliance.
5. **READ THE OWNER'S MANUAL BEFORE PROCEEDING.**

* Appliance should be located such that no doors, drapes, furniture or other combustibles can be placed closer or swing closer than the minimum stated clearances.

* The appliance must be installed in a level, secure position.

REQUIRED FLOOR PROTECTION:

Minimum size 35 5/8"W x 38 3/8"L of non-combustible material with a minimum thickness of 26 gauge floor protection must extend under the appliance.

Front - 16"
Sides - 6"
Back - 6"

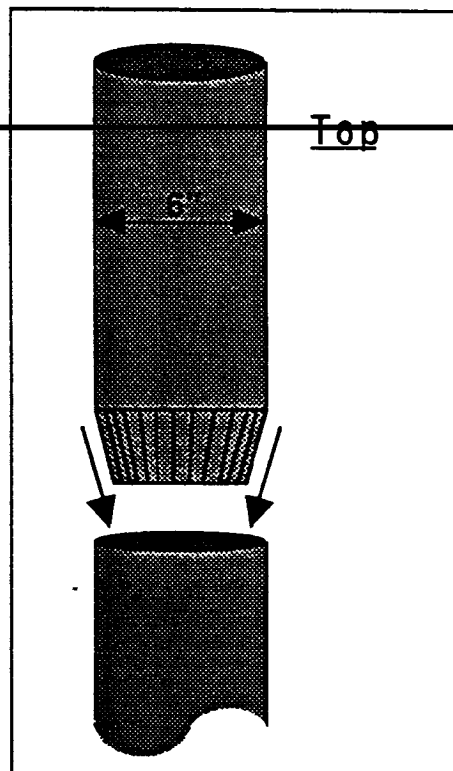
Chimney Lengths	Maximum	Minimum
Vertical	33 Feet	15 Feet

If you are going to use a factory built chimney it should be 6" in diameter and a type suitable for use with solid fuels. Follow the manufacturer's installation instructions packaged within the chimney appliance.

Wall, ceiling, or roof penetrations can be made only with U.L. listed chimney components. NOTE: Your interior single wall chimney connector or double wall chimney connector must not pass through an attic, roof space, closet or similar unsealed space, floor, ceiling, wall or partition of combustible construction.

All sections of interior chimney connector should be securely fastened together by at least three sheet metal screws. The crimped end must be installed downwards (see drawing to right).

When lifting the appliance, you may choose to remove the interior components to make it lighter. Refer to the section "REPLACEMENT PARTS AND REMOVAL INSTRUCTIONS" for the proper sequence of removal and replacement of internal components.



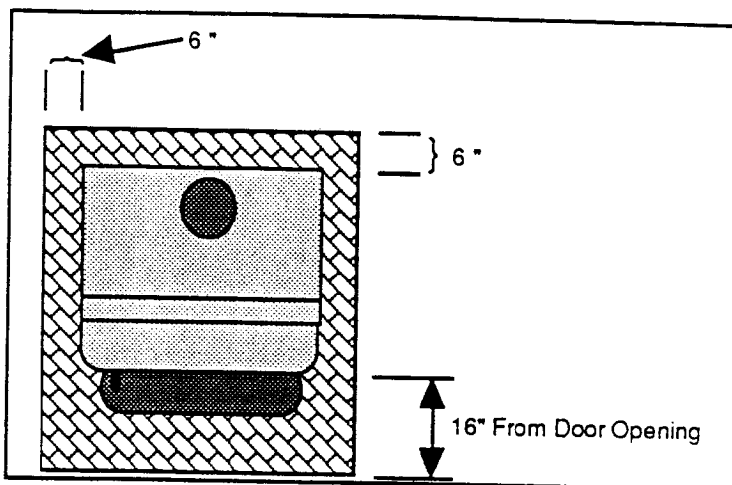
FREESTANDING INSTALLATION - SPECIFICATIONS

REQUIRED FLOOR PROTECTION:

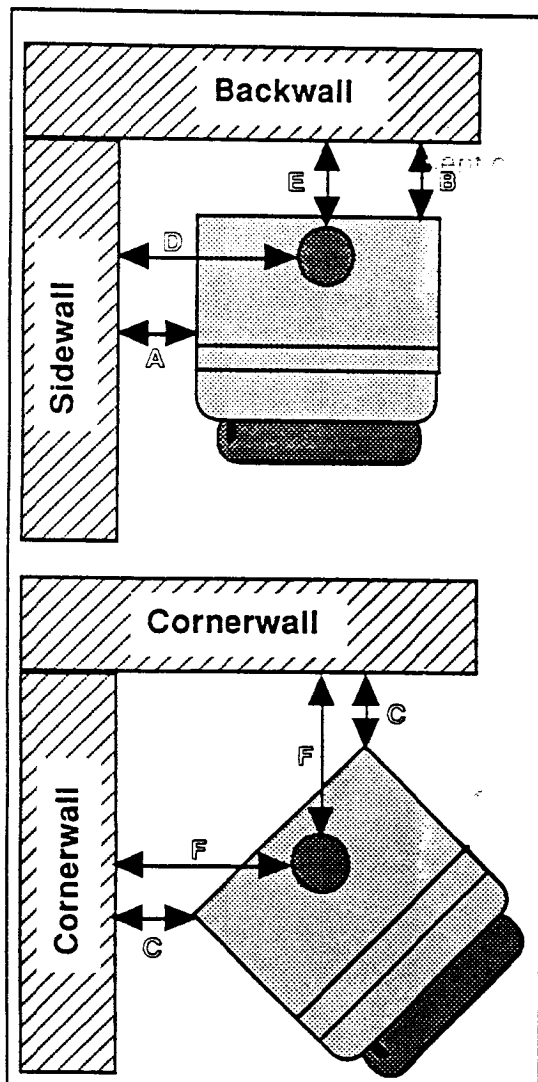
Front = 16" NOTE: Front floor protection is measured from the door opening.

Sides = 6"

Back = 6"



CLEARANCE TO COMBUSTIBLES:



Single Wall Connector

	796 45° Flue	796 Top Flue
A. Sidewall to unit.....	10"	10"
B. Backwall to unit.....	19 1/2"	16 1/2"
C. Cornerwall to unit.....	9 1/2"	9 1/2"
D. Connector to sidewall.....	19"	19"
E. Connector to backwall.....	17 1/2"	17 1/2"
F. Connector to cornerwall.....	16"	17 1/2"

Reduced Clearance *

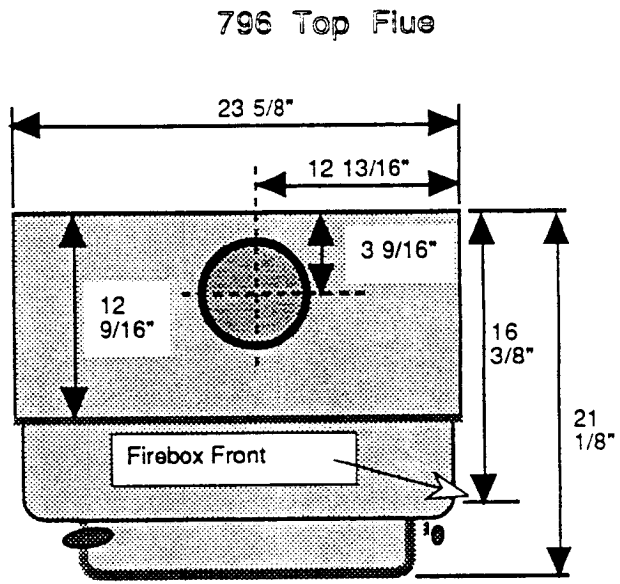
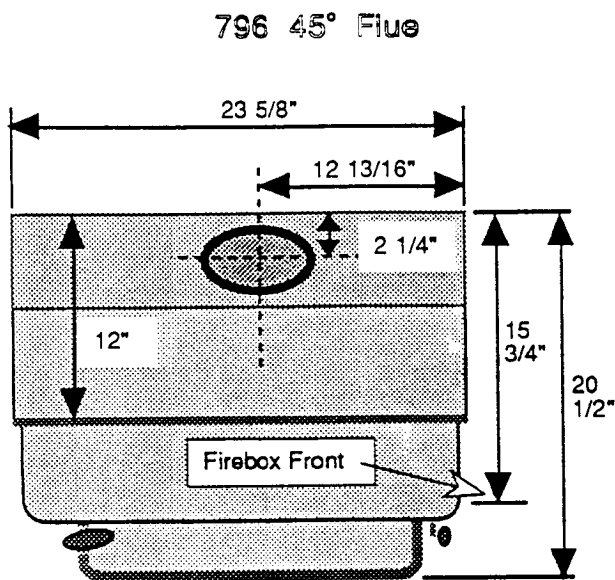
A. Sidewall to unit.....	11"	11"
B. Backwall to unit.....	13"	8 1/2"
C. Cornerwall to unit.....	7 1/2"	7 1/2"
D. Connector to sidewall.....	19 1/2"	19 1/2"
E. Connector to backwall.....	9"	9"
F. Connector to cornerwall.....	11"	15"

* Components required for alcove, mobile home, and reduced clearance installations are one of the following listed double wall connectors and chimney systems.

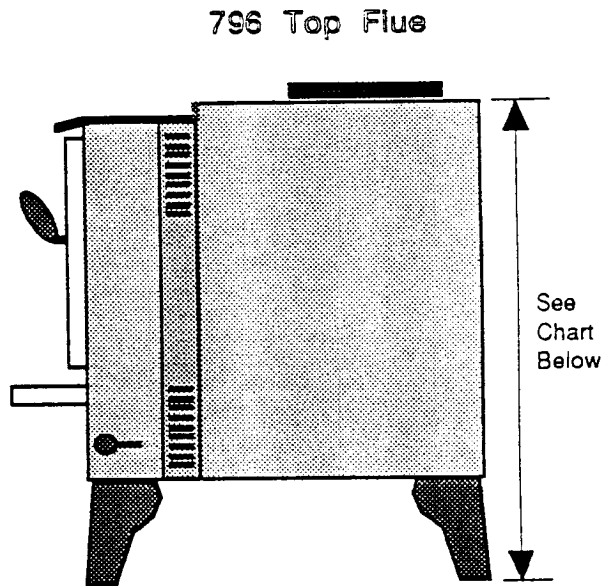
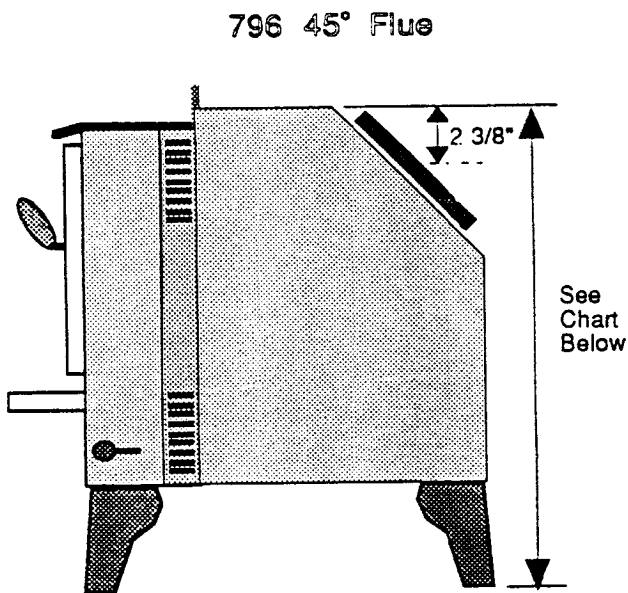
- DURAVENT model DVL with DURA-PLUS chimney
- AMERI-TEC model DCC with model HS chimney
- SECURITY model DP with SECURITY model ASHT or S2100 chimney
- METAL-FAB model DW with model TG chimney
- SELKIRK METALBESTOS model DS connector with model SSII chimney
- OLIVER MACLEOD PROVENT model PV connector with model 3103 chimney
- GSW-JAKES EVENS SUPERPIPE 2100
- Standard Masonry Chimney with any one of the above listed connectors

FREESTANDING INSTALLATION - SPECIFICATIONS (Cont.)

TOP VIEW



SIDE VIEW



Overall Height With:

	796 45° Flue	796 Top Flue
Steel Legs.....	26 5/8"	26 3/4"
Brass Legs.....	28"	28 1/8"
Cast Legs.....	28"	28 1/8"
Pedestal.....	31 5/8"	31 3/4"

FREESTANDING INSTALLATION

Standard Ceiling Installation

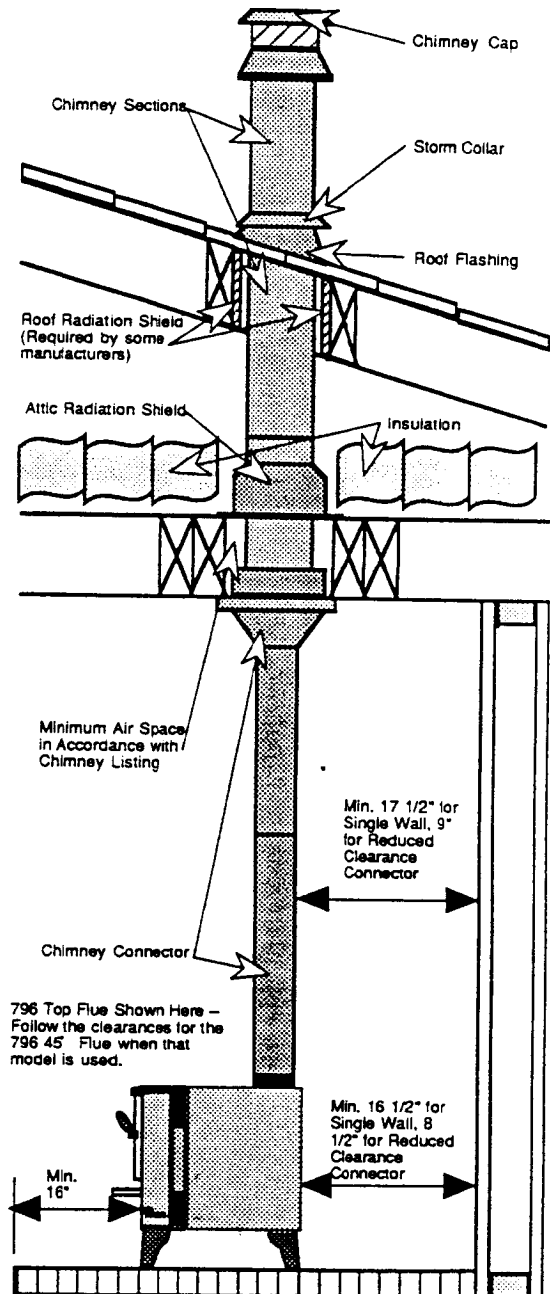
When installing a freestanding stove into a residence with a standard ceiling, certain precautions should be taken to insure a safe installation. The directions below illustrate one way to install your freestanding stove into a standard ceiling with a factory-built chimney. There are several other alternative methods. Check with your dealer or installer for information on other options available to you.

IT IS RECOMMENDED THAT NO CEILING SUPPORT MEMBER BE CUT FOR CHIMNEY AND SUPPORT BOX INSTALLATION. IF IT IS NECESSARY TO CUT THEM, THE MEMBERS MUST BE MADE STRUCTURALLY SOUND.

1. Make sure the factory built chimney satisfies all of the rules in the section titled "CHIMNEY INFORMATION & REGULATIONS".
2. Follow all of the regulations and guidelines specified in the sections titled "FREESTANDING INSTALLATION - SPECIFICATIONS" and "PREPARATION FOR INSTALLATION - FREESTANDING".
3. Carefully place the stove on top of the floor protection and join the chimney connector to the stove. When determining the placement of the stove, make sure to take into consideration the necessary clearances to combustibles and the placement of the chimney.

NOTE: When the chimney connector extends to a standard ceiling, as shown to the right, a support package and sometimes a chimney connector adapter are installed at the ceiling.

Working from the attic or roof, sufficient sections of factory-built chimney (available in different lengths) are installed to go through the space above the ceiling, then through and above the roof to the correct height above the roof line. The chimney sections should be stacked and locked securely as specified by the manufacturer. A minimum clearance of 2 inches is typically required between the outside surface of the factory-built chimney and any combustibles or insulation; the air space around the chimney never must be filled with insulation or any other material.



IMPORTANT: Make sure to follow all guidelines provided by the manufacturer of the chimney for safety in installation.

FREESTANDING INSTALLATION (Cont.)

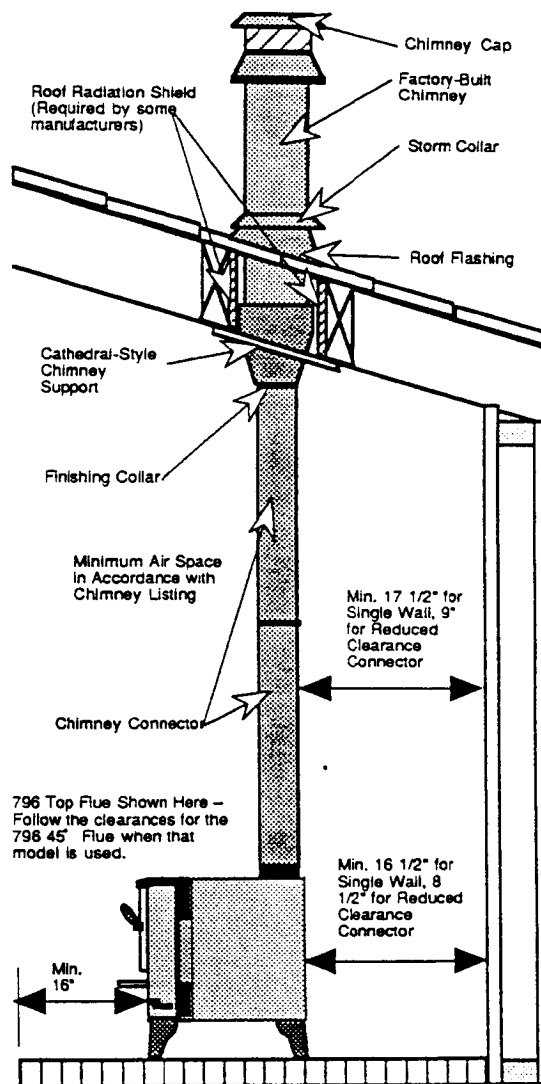
Cathedral Ceiling Installation

When installing a freestanding stove into a residence with a cathedral ceiling, certain precautions should be taken to insure a safe installation. The directions below illustrate one way to install your freestanding stove into a cathedral ceiling with a factory-built chimney. There are several other alternative methods. Check with your dealer or installer for information on other options available to you.

IT IS RECOMMENDED THAT NO CEILING SUPPORT MEMBER BE CUT FOR CHIMNEY AND SUPPORT BOX INSTALLATION. IF IT IS NECESSARY TO CUT THEM, THE MEMBERS MUST BE MADE STRUCTURALLY SOUND.

1. Make sure the factory-built chimney satisfies all of the rules in the section titled "CHIMNEY INFORMATION & REGULATIONS".
2. Follow all of the regulations and guidelines specified in the sections titled "FREESTANDING INSTALLATION - SPECIFICATIONS" and "PREPARATION FOR INSTALLATION - FREESTANDING".
3. Carefully place the stove on top of the floor protection and join the chimney connector to the stove. When determining the placement of the stove, make sure to take into consideration the necessary clearances to combustibles and the placement of the chimney.

NOTE: In rooms with cathedral ceilings, the roof and ceiling are combined. For this type of installation, manufacturers of factory-built chimneys provide a special cathedral ceiling roof support kit with instructions that should be followed.



IMPORTANT: Because of the slope of the cathedral ceiling, care should be taken to extend the chimney sufficiently far into the room so that the chimney connector will meet the minimum clearances requirement from the sloped combustible ceiling. The greater the pitch of the ceiling, the further into the room the chimney section must extend. Use the concepts from "CHIMNEY INFORMATION & REGULATIONS" to accurately measure the appropriate distance from a sloping ceiling.

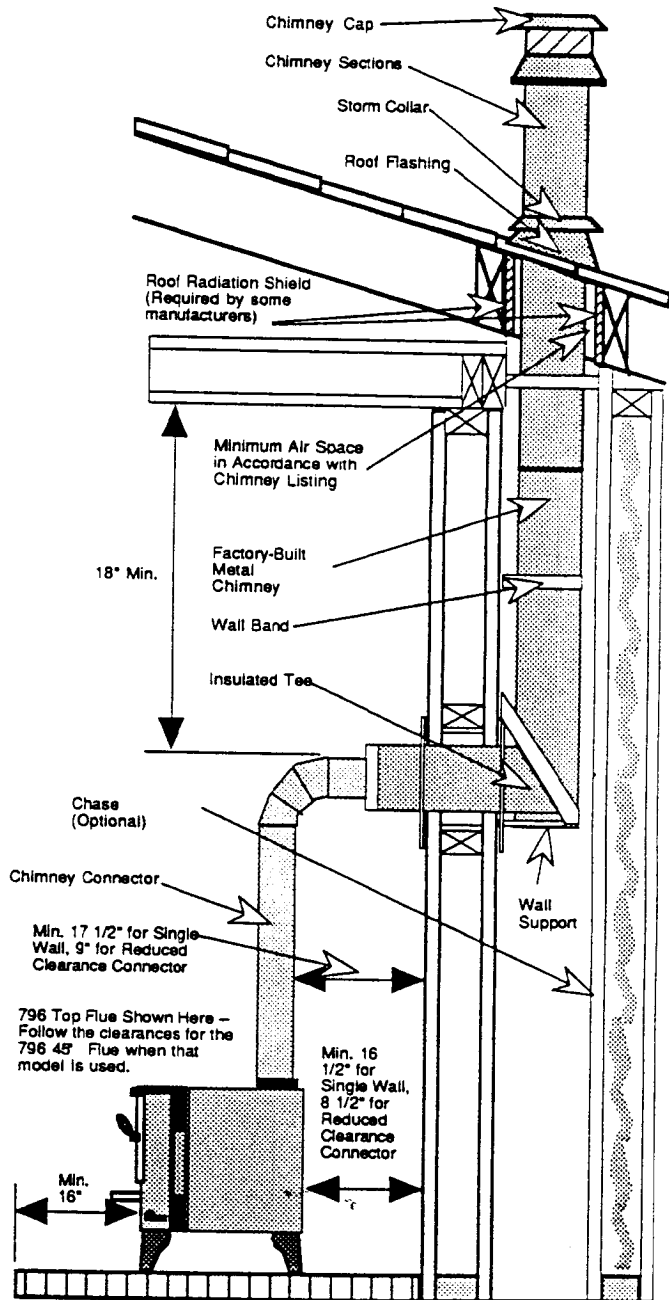
FREESTANDING INSTALLATION (Cont.)

Horizontal Installation Into Factory-Built Chimney

When installing a freestanding stove into a residence with horizontal connection to a factory-built chimney, certain precautions should be taken to insure a safe installation. The directions below illustrate one way to install your freestanding stove with a horizontal installation into a factory-built chimney. This requires the use of an insulated tee, a wall support, wall closure plate, wall bands, roof flashing, storm collar and chimney cap. There are several other alternative methods. Check with your dealer or installer for information on other options available to you.

1. Make sure the factory-built chimney satisfies all of the rules in the section titled "CHIMNEY INFORMATION & REGULATIONS".
2. Follow all of the regulations and guidelines specified in the sections titled "FREESTANDING INSTALLATION - SPECIFICATIONS" and "PREPARATION FOR INSTALLATION - FREESTANDING".
3. Carefully place the stove on top of the floor protection and join the chimney connector to the stove. When determining the placement of the stove, make sure to take into consideration the necessary clearances to combustibles and the placement of the chimney.

NOTE: An exterior chimney is subject to cold outdoor temperatures, leading to greater heat loss, creosote accumulation, and moisture condensation in the chimney. To reduce this possibility, the chimney may be enclosed in a chase. Specified minimum clearances from combustibles must be maintained. If the chase is insulated, the insulated walls should be sheathed with dry-wall or covered with wire mesh to keep the insulation in place. If the chase is to go through an eaves area, a firestop must be used to prevent air flow between the chase and the attic. This is to isolate the chase/attic area from fire and to prevent attic insulation from falling into the chase enclosure.



FREESTANDING INSTALLATION (Cont.)

Hearth Stove Installation Using a Positive Connection

When installing a freestanding stove into a masonry fireplace that is using a positive connection, certain precautions should be taken to insure a safe installation. The advantages of this type of connection are excellent chimney draft and ease of cleaning. A block-off plate is not needed for this type of installation because the positive connection provides sufficient draft. If one is used, it need not be airtight. The directions below illustrate one way to install your freestanding stove into a positive connection factory-built chimney. There are several other alternative methods. Check with your dealer or installer for information on other options available to you.

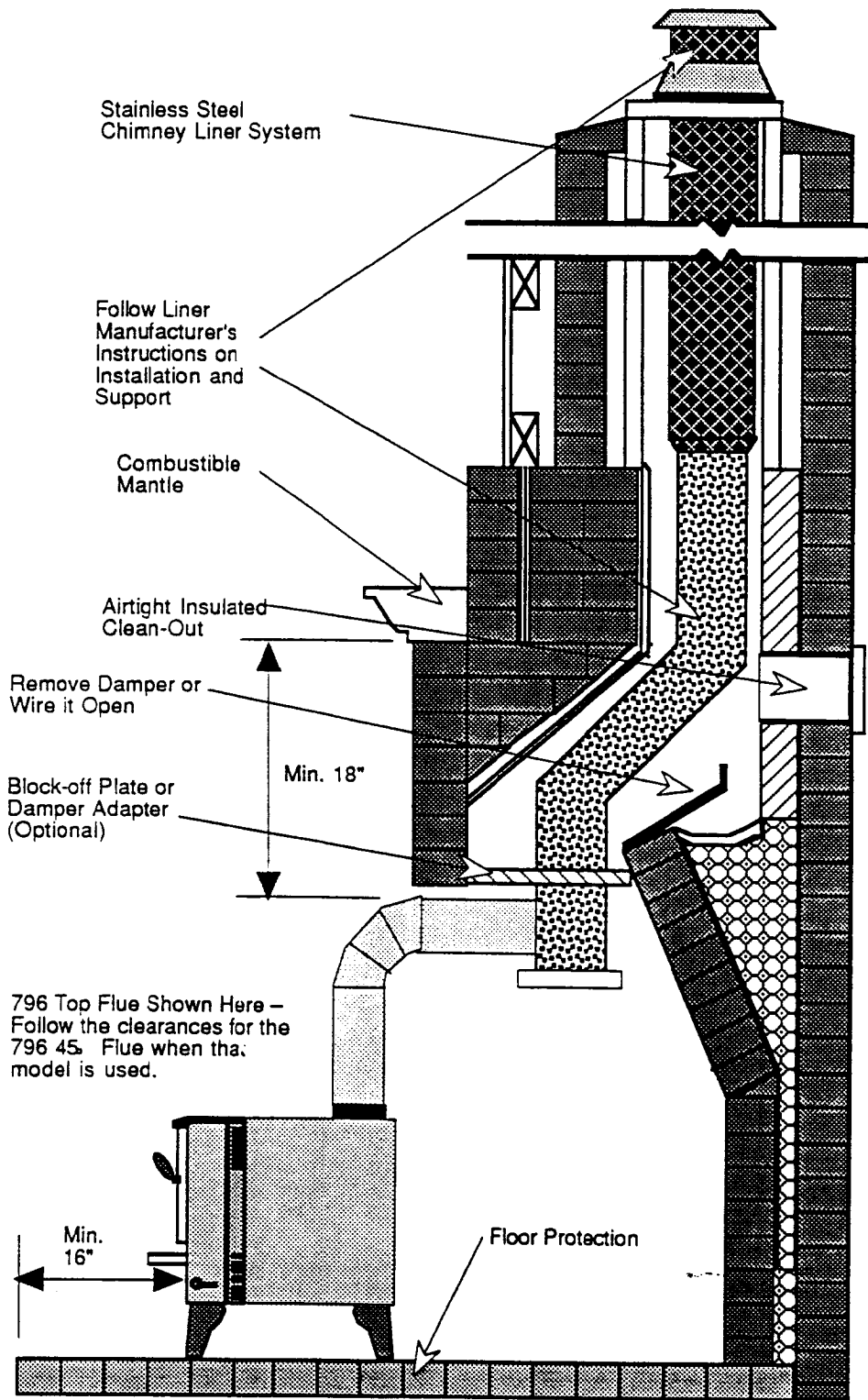
1. Install the positive connection (reline) through the masonry chimney according to the manufacturer's instructions for installation and support. Make sure to follow all of the manufacturer's safety precautions during assembly. Inspect the masonry chimney and make sure the chimney is in good and safe condition. If the existing chimney is not in good condition, repairs should be made before installation. Make sure the masonry fireplace and positive connection conform to all of the rules outlined in the section titled "CHIMNEY INFORMATION & REGULATIONS".
2. If a block-off plate is desired (optional), follow the directions for making a block-off plate in the section titled "INSTALLATION OF A FIREPLACE BLOCK-OFF PLATE".
3. Follow all of the clearance regulations for placement of your stove specified in the sections titled "FREESTANDING INSTALLATION - SPECIFICATIONS" and "PREPARATION FOR INSTALLATION - FREESTANDING ". Furthermore, make sure the stove also meets the specifications listed in the sections titled "FIREPLACE INSERT - SPECIFICATIONS" and "PREPARATION FOR INSTALLATION - MASONRY FIREPLACE INSERT" for clearance to the masonry fireplace.
4. If you are using a block-off plate, slide the pipe into the plate up through the damper. If you are not using a block-off plate, make sure the last segment of the positive connection will reach the stove once it is in place.
5. You may now place your stove into position so that it lines up with the chimney connector.
6. With the connector in place, you now have completed the positive connection for your insert. It is a good idea to check your connection by trying to rock the chimney connector back and forth. If it feels snug, a good connection is established. If you can feel some play when you rock it back in forth, make sure that the insert is properly aligned and that the connector fits tight in the flue collar on the top of the stove.
7. Check the diagram on the following page. Make sure all of the items listed are complete.

Follow these directions in reverse order for periodic inspection and cleaning.

WARNING: Do not connect this unit to a chimney flue serving another appliance.
Do not use makeshift compromises in the installation.

FREESTANDING INSTALLATION (Cont.)

Hearth Stove with Positive Connection (Continued)



Follow the directions on the previous page for installation.

FREESTANDING INSTALLATION (Cont.)

Hearth Stove Installation Using a Direct Connection

Using the direct connection between your hearth stove and masonry chimney allows you to use your existing chimney with a minimum of installation work. An airtight seal must be made with a block-off plate to insure that your chimney will draw the smoke out of the appliance. The directions below illustrate one way to install your freestanding stove into a direct connection. There are several other alternative methods. Check with your dealer or installer for information on other options available to you.

1. Inspect the masonry chimney and follow all the rules outlined in the section titled "CHIMNEY INFORMATION & REGULATIONS". Make sure the chimney is inspected and found in good and safe condition. If the existing chimney is not in good condition, repairs should be made before installation.
2. Follow the directions for making a block-off plate in the section titled "INSTALLATION OF A FIREPLACE BLOCK-OFF PLATE".
3. Follow all of the clearance regulations for placement of your stove specified in the sections titled "FREESTANDING INSTALLATION - SPECIFICATIONS" and "PREPARATION FOR INSTALLATION - FREESTANDING ". Furthermore, make sure the stove also meets the specifications listed in the sections titled "FIREPLACE INSERT - SPECIFICATIONS" and "PREPARATION FOR INSTALLATION - MASONRY FIREPLACE INSERT" for clearance to the masonry fireplace.
4. Once the plate is in position, slide the pipe into the plate up through the damper. It **must** extend up to the flue liner or at least one foot past the block-off plate.
5. You may now position the hearth stove and connector pipe so that it can be easily joined with the pipe coming from the flue opening.
6. With the connector in place, you have now completed the direct connection for your insert. It is a good idea to check your connection by trying to rock the chimney connector back and forth. If it feels snug, a good connection is established. If you can feel some play when you rock it back in forth, make sure that the stove is properly aligned and that the connector fits tight in the flue collar on the top of the stove.
7. Take a look at the figure on the following page. Make sure all of the items listed are complete.

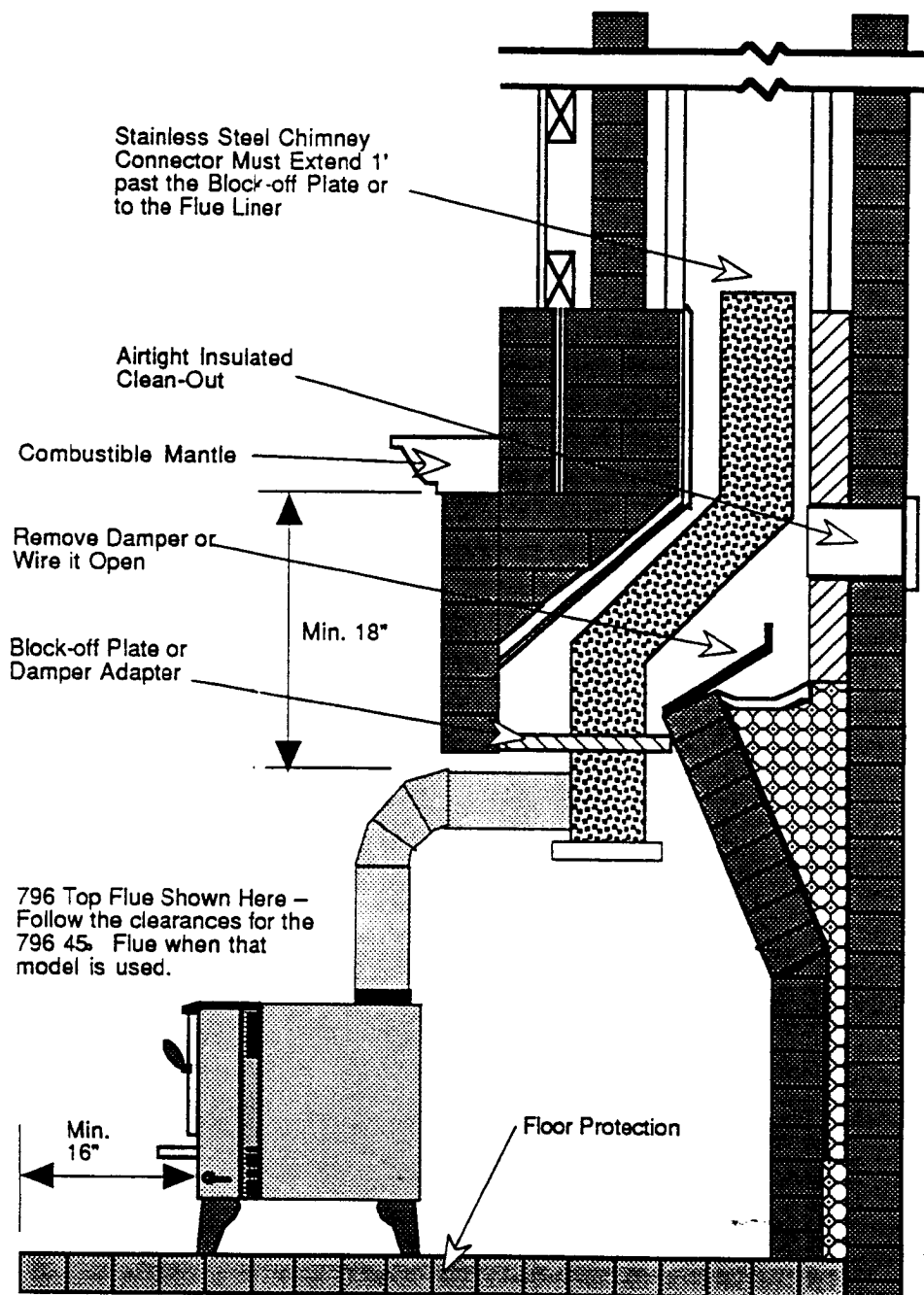
Follow these directions in reverse order for periodic inspection and cleaning.

WARNING: Do not connect this unit to a chimney flue serving another appliance.
Do not use makeshift compromises in the installation.

FREESTANDING INSTALLATION (Cont.)

(Continued)

Hearth Stove with Direct Connection



Follow the directions on the previous page for installation.

FREESTANDING INSTALLATION (Cont.)

Hearth Stove Installation Using a Horizontal Connection

When installing a freestanding stove into a masonry fireplace that is using a horizontal connection, certain precautions should be taken to insure a safe installation. A block-off plate is not needed for this type of installation because the seal can be maintained simply by closing the damper and sealing with a non-combustible material. The directions below illustrate one way to install your freestanding stove using a horizontal connection to a masonry chimney. There are several other alternative methods. Check with your dealer or installer for information on other options available to you.

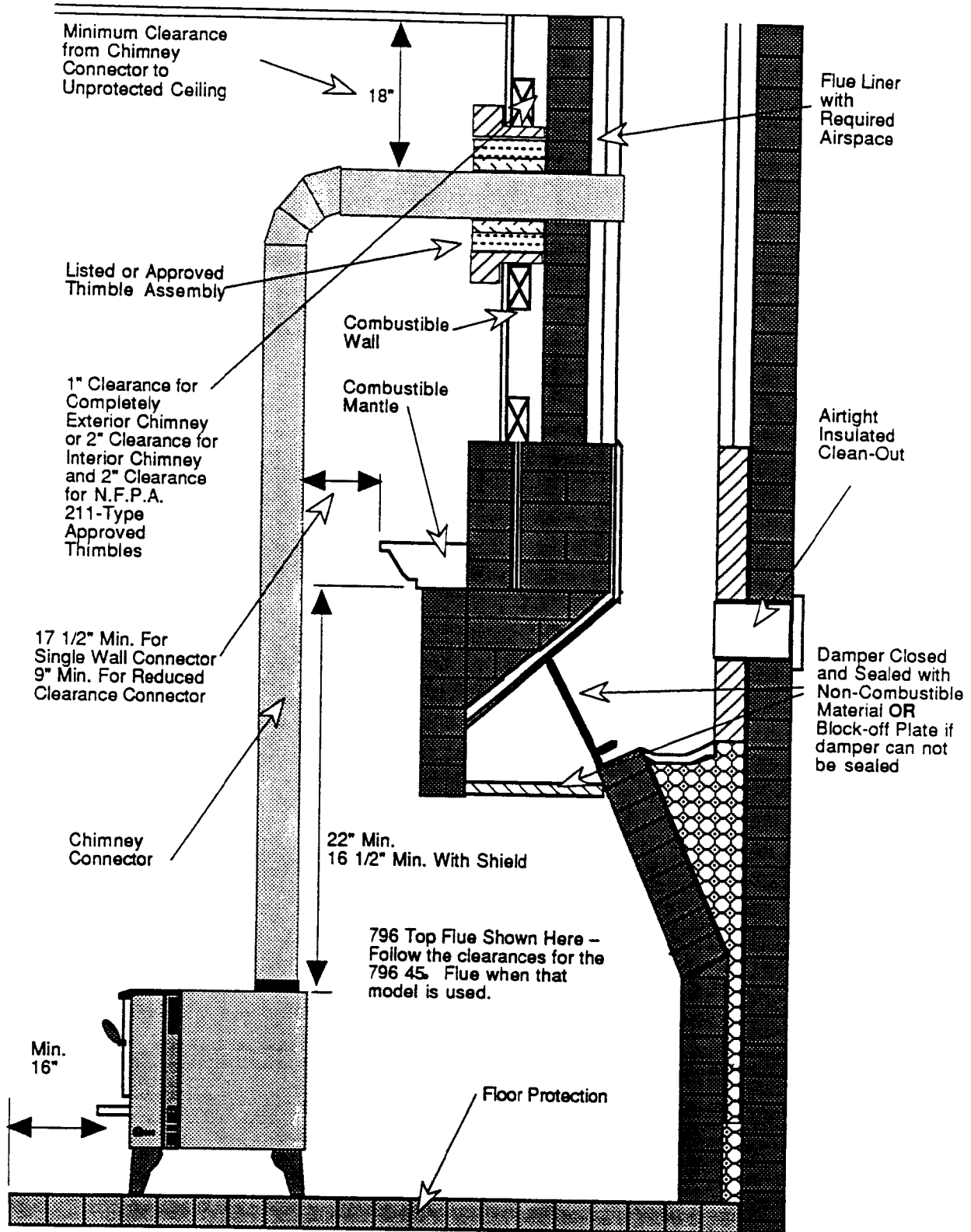
1. Install the horizontal pipe section along with the necessary thimble assembly through the masonry chimney according to the manufacturer's instructions for installation and support. Make sure to follow all of the manufacturer's safety precautions during assembly. Inspect the masonry chimney and make sure the chimney is in good and safe condition. If the existing chimney is not in good condition, repairs should be made before installation. Make sure the masonry fireplace and positive connection conform to all of the rules outlined in the section titled "CHIMNEY INFORMATION & REGULATIONS".
2. Close the damper and seal the edges with non-combustible material. It is a good idea to also remove the damper control rod to avoid anyone trying to re-open the damper.
3. Follow all of the clearance regulations for placement of your stove specified in the sections titled "FREESTANDING INSTALLATION - SPECIFICATIONS" and "PREPARATION FOR INSTALLATION - FREESTANDING ". Furthermore, make sure the stove also meets the specifications listed in the sections titled "FIREPLACE INSERT - SPECIFICATIONS" and "PREPARATION FOR INSTALLATION - MASONRY FIREPLACE INSERT" for clearance to the masonry fireplace.
4. Place your stove into its final position so that the chimney connector will line up with the horizontal pipe section.
5. Attach the chimney connector to both the horizontal pipe section and the hearth stove. It is a good idea to check your connection by trying to rock the chimney connector back and forth. If it feels snug, a good connection is established. If you can feel some play when you rock it back and forth, make sure that the insert is properly aligned and that the connector fits tight in the flue collar on the top of the stove.
7. Check the diagram on the following page. Make sure all of the items listed are complete.

Follow these directions in reverse order for periodic inspection and cleaning.

WARNING: Do not connect this unit to a chimney flue serving another appliance.
Do not use makeshift compromises in the installation.

FREESTANDING INSTALLATION (Cont.)

Hearth Stove Installation Using a Horizontal Connection (Continued)



Follow the directions on the previous page for installation.

FREESTANDING INSTALLATION (Cont.)

Mobile Home Installation

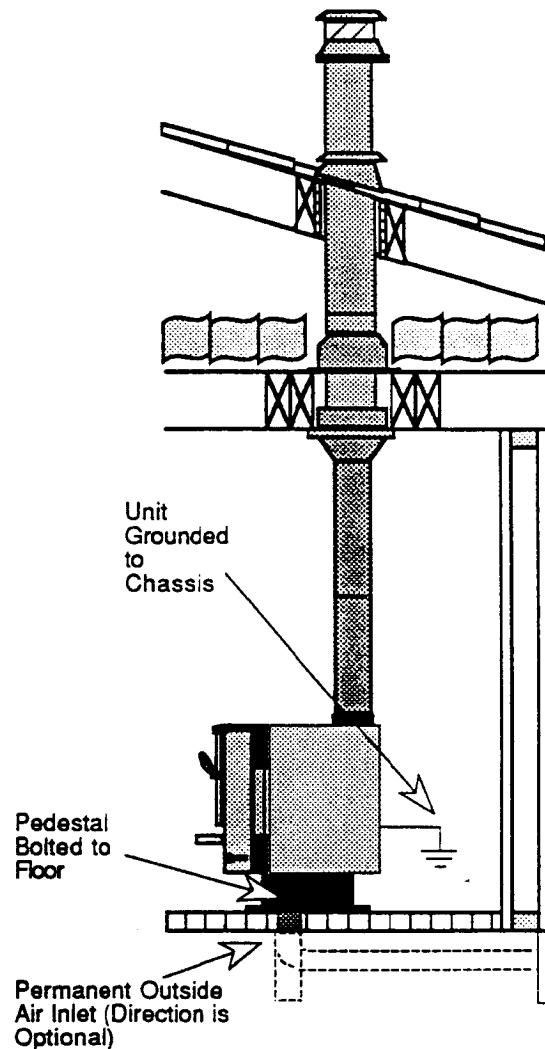
When installing a wood burning stove in your mobile home you must follow the same procedures and regulations outlined in the sections "PREPARATION FOR INSTALLATION - FREESTANDING " and "FREESTANDING INSTALLATION - SPECIFICATIONS".

NOTE: You may not install a wood burning stove in the bedroom of a mobile home.

Follow the directions for installation according to the type of chimney installed (factory-built chimney with either a standard ceiling, cathedral ceiling, or horizontal outside chimney). In addition to the normal residential requirements, the following requirements are mandatory for installation into a mobile home:

1. The stove must be permanently bolted to the floor of the mobile home. (Some states do not require this; check with your local building department.)
2. The stove must have a permanent outside air (combustion air) intake. The Pedestal Option is equipped with provisions for outside air. Please see the instructions for the Outside Air Kit and Outside Air Boot in the section "FREESTANDING OPTIONAL EQUIPMENT".
3. The stove must be grounded to the steel chassis of the mobile home (Some states do not require this; check with your local building department).

CAUTION: The structural integrity of the mobile home floor, wall, ceiling and roof must be maintained.

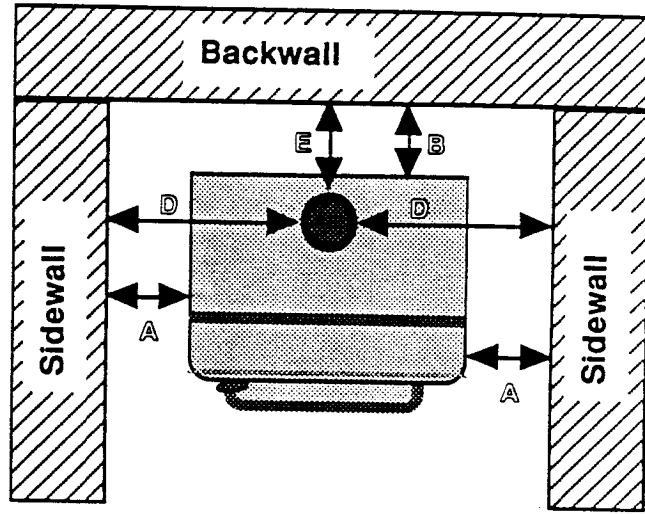
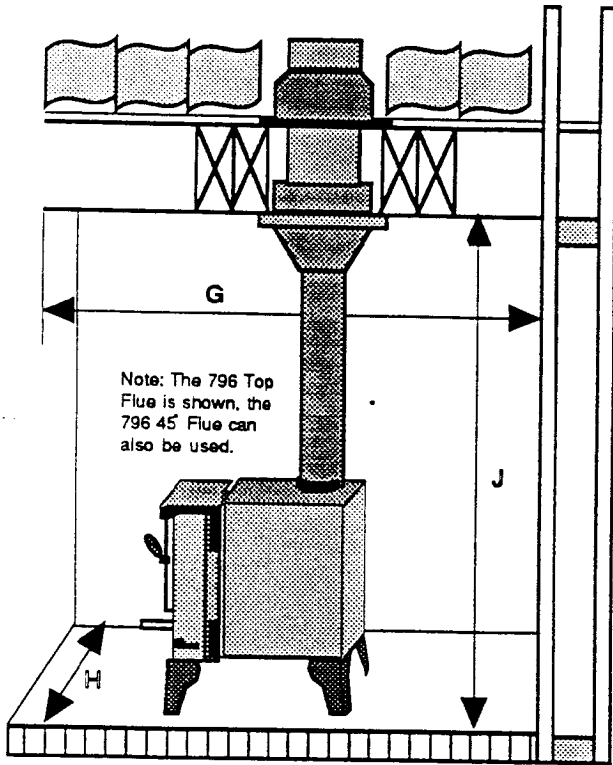


FREESTANDING RESIDENTIAL INSTALLATION (Cont.)

Alcove Installation

If you are installing your appliance into an alcove, you must follow all of the directions for the type of installation (e.g. standard ceiling installation, cathedral ceiling installation, etc.) you are using and follow the additional specifications listed below.

Minimum Alcove Dimensions



Combustible Alcove

Non-Combustible Alcove *

A. Sidewall to unit.....	11"	A. Sidewall to unit.....	6"
B. Backwall to unit.....	13"	B. Backwall to unit.....	2"
D. Connector to sidewall.....	19 1/2"	D. Connector to sidewall	15 3/4"
E. Connector to backwall.....	9"	E. Connector to backwall.....	2 1/2"
G. Max. Depth of Alcove.....	48"	G. Max. Depth of Alcove.....	48"
H. Min. Width of Alcove	46"	H. Min. Width of Alcove	35 3/4"
J. Min. Height of Alcove	84"	J. Min. Height of Alcove.....	**

* Non-Combustible Alcoves include alcoves made of brick, stone, or concrete with at least 3 1/2" of thickness along the walls and ceiling that is also spaced and ventilated at least 1" off of the combustible wall to allow air to move around the non-combustible walls and ceiling.

** 6" Above Stove Top

INSERT OPTIONAL EQUIPMENT

Your Avalon 796 appliance comes completely assembled. The options available for the insert method of installation are listed below and require assembly.

1. Surround Panels - 8", 10", and 12" Sizes (Includes Insulation)
2. Surround Panel Brass Trim (Included with Surround Panels)
3. Blower, Front

1. Surround Panels

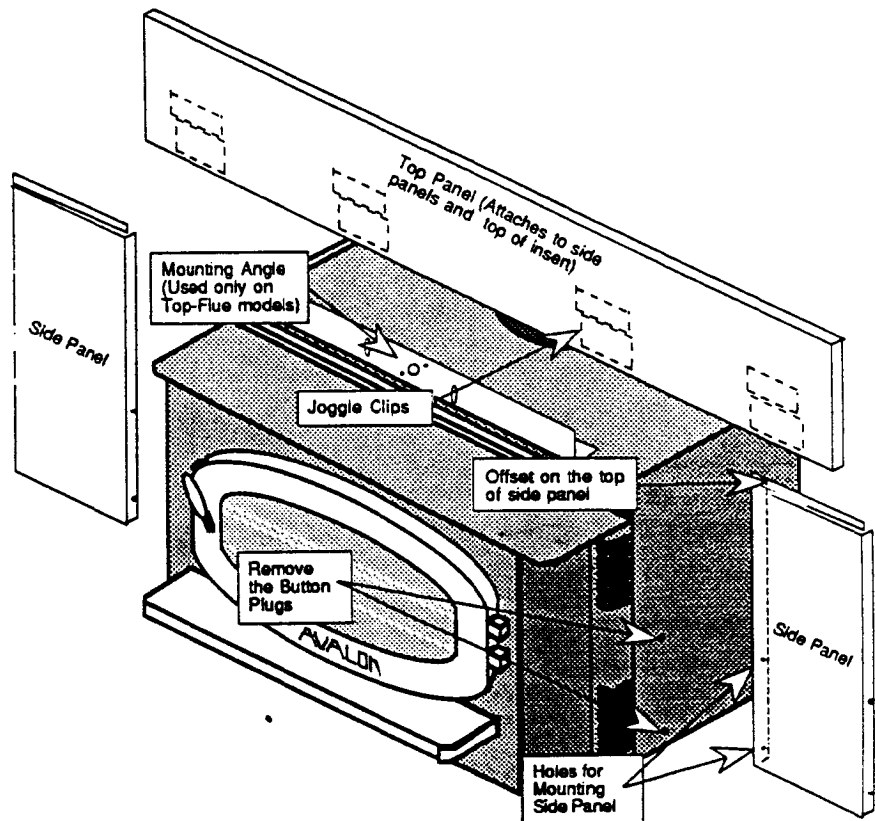
The surround panels for your insert are sold separately and come in the three sizes listed below. It is very important that you choose the surround panels that will adequately suit your installation. For direct or positive connections the surround panels do not require insulation for an airtight seal. For face seal connections the surround panels must overlap the fireplace at least 2" on the top and sides and require insulation to insure an airtight seal.

SURROUND PANEL SIZES	SIZE ON INSERT (INCLUDING TRIM)
8"	39 7/8" width by 28 1/16" height
10"	43 7/8" width by 30 1/16" height
12"	47 7/8" width by 32 1/16" height

NOTE: For a Face Seal Connection it is recommended that you have at least 2" of overlap. On brick or stone facing an overlap of 2 1/2" may be necessary for an airtight seal due to the rough surface.

It is very important that your surround panels overlap the fireplace opening by 1/4" or more. This will insure a good seal and provide a more attractive facade. When determining your surround panel size, remember that the panels must overlap the fireplace opening in both width and height. The surround panels may overlap the fireplace opening by more than the 1/4" recommendation if it is to allow for a complete seal. Any questions on selection of the surround panels should be directed towards your dealer.

To install the surround panels, first refer to the type of installation you are using (e.g. Face Seal Connection, Direct Connection, etc...). Follow the directions listed for the type of installation you are doing, and follow the directions below when they are referred in that section. The insert will need to be drawn out of the fireplace at least 6" to allow for installation of the surround panels. If the insert is to be connected to a flue, the brass trim and top panel can be removed with the insert in its final position to access the flue and then later re-installed. If insulation is to be used and the top panel is to be removed, make sure to allow for this by not gluing the insulation along the top until the flue is connected. Refer to the illustration to the right while installing the surround panels.



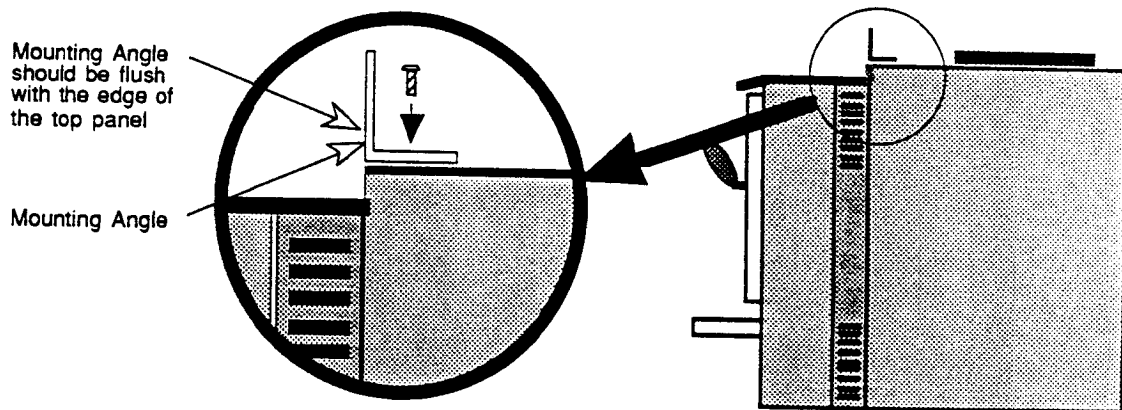
INSERT OPTIONAL EQUIPMENT (Continued)

1. Surround Panels (Continued)

1. Remove the two button plugs from each side of the insert with a screwdriver.
2. Using a 5/16" nutdriver or large screwdriver, screw the thread-cutting screws into the four holes exposed by removing the button plugs. The holes are now pre-threaded, remove the screws.
3. Place one of the side panels against the side of the insert, lining up the slots in the panel with the threaded holes in the side of the insert. Attach the panel with the thread-cutting screws, leaving the screws loose enough to adjust the side panel. Repeat for the other side.
4. FOLLOW THE SET OF INSTRUCTIONS FOR THE MODEL BEING INSTALLED:

MODEL:	FOLLOW INSTRUCTIONS:
796 Top Flue	4 A
796 45° Flue	4 B

- 4A. The top mounting angle is designed to stabilize the top panel on the 796 Top Flue model. Center the mounting angle on the insert with the side that has only three holes in it facing down. The mounting angle should be flush with the top edge of the top panel on the insert (see the illustration below). Mark the locations on the insert where the center of the holes in the mounting angle rest. Remove the mounting angle and drill 11/64" holes where the marks were placed. Drill only enough to penetrate one layer of metal. Using a 5/16" nutdriver or large screwdriver, screw the thread-cutting screws into these two holes. The holes are now pre-threaded, remove the screws. Place the mounting angle back over these holes and attach it to the insert with the two thread-cutting screws.



- 4B. The top mounting angle is not used on the 796 45° Flue model. Instead, the brass trim that runs along the top of the insert must be removed to allow the top panels to slide over the mounting flange.
5. Slide the top panel onto the offset on top of the side panels. The top panel must also slide over the mounting flange (or mounting angle on top flue models) that is on the insert. The top panel has four joggle clips that hold the top panel in place against the insert and the side panels. The best way to insert the top panel is to hold it at an angle and insert one side first and gradually lower it until the opposite side is inserted. Adjust the top panel so its edges are flush with the side edges of the side panels.
 6. Adjust the position of the side panels so they are: 1) flush with the bottom of the insert; 2) both the same distance back from the front of the insert; 3) perpendicular to the floor.

INSERT OPTIONAL EQUIPMENT (Continued)

1. Surround Panels (Continued)

INSULATION INSTALLATION INSTRUCTIONS

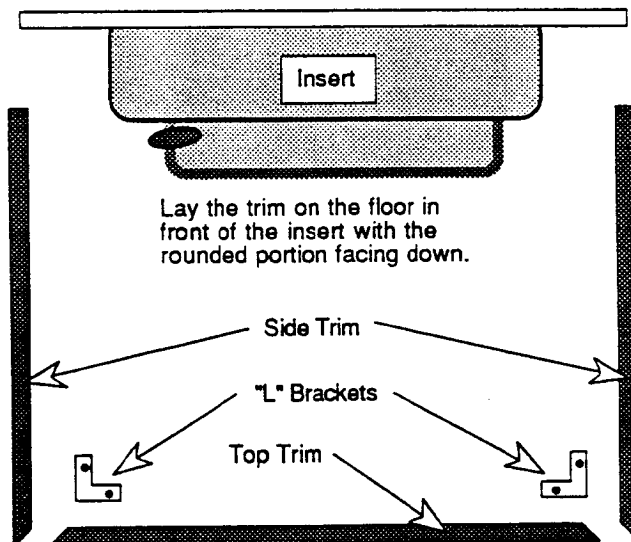
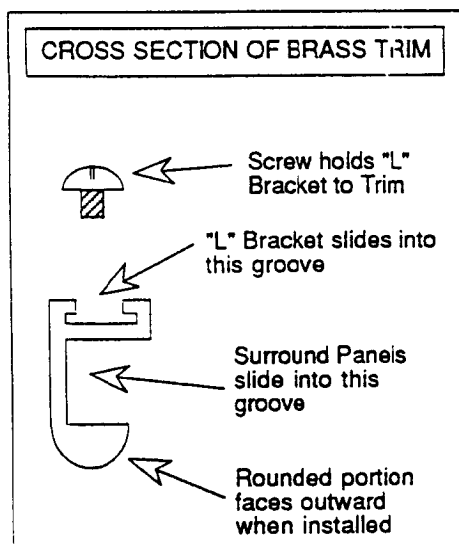
The installation of the insulation is required only for face seal connections. Direct and positive connections do not require the insulation to be installed. Refer to the owner's manual for more details on the type of installations available and the items that are required for each type of installation.

1. With the insert drawn at least 6" away from the fireplace, glue the insulation strip included with the surround panel kit to the back of the panels using RTV silicon or stove gasket cement. The insulation should be installed so it overlaps the fireplace opening to form a seal between the panels and the fireplace face.
2. Push the insert into the fireplace, ensuring a seal is made with the insulation between the panels and the fireplace face.

2. Surround Panel Brass Trim (Included with Surround Panels)

The brass trim kit is included with the surround panel kit and includes all of the items needed for installation.

1. Lay the three pieces of brass trim on the floor in front of the insert. Arrange the brass trim so that it resembles the illustration below. The rounded edge of the trim that will be facing outwards when installed should be facing down.



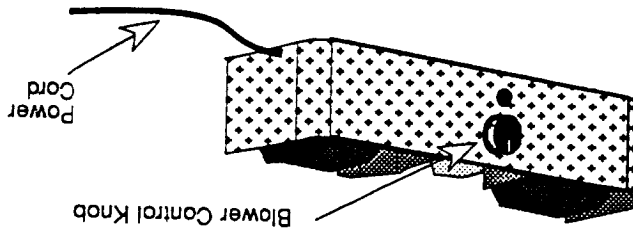
2. Insert an "L" bracket leg into the groove in the 45° cut end of each side piece. Slide the other leg of each "L" bracket into the groove in each end of the top piece.
3. With a small screwdriver tighten the screws into the "L" brackets, ensuring that the 45° cuts are butted together to form a neat joint.
4. Lift the complete brass trim assembly and slide the side pieces down over the edge of the side panels until the bottom edge of the brass trim is flush with the bottom of the side panels and the top panel is in the groove of the top brass trim piece.

INSERT OPTIONAL EQUIPMENT (Continued)

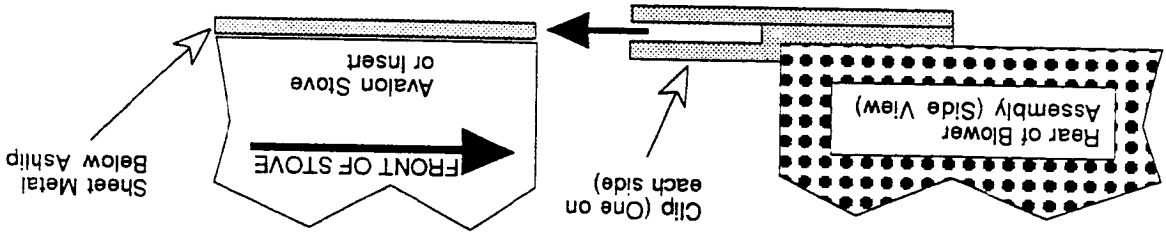
3. Blower, Front

The front blower is designed to improve your appliance's natural convection by pushing heated air through the convection chamber and out of the vents along the top.

BLOWER ASSEMBLY



1. Carefully slide the blower assembly underneath the ashlip so that the two clips on the lower back edge of the blower assembly slide over the front edge of the sheet metal under the appliance. You should be able to feel the blower assembly snap into place as you slide it in. This is all the assembly needed to attach the blower assembly.



2. Plug in the blower and test its operation. It should blow air out of the vents on top of the appliance. The blower is turned off by turning it all the way counter-clockwise. Each click clockwise will increase the speed of the blower.

PREPARATION FOR INSTALLATION - MASONRY FIREPLACE INSERT

READ THIS ENTIRE MANUAL BEFORE YOU INSTALL AND USE YOUR NEW APPLIANCE. FAILURE TO FOLLOW INSTRUCTIONS MAY RESULT IN PROPERTY DAMAGE, BODILY INJURY, OR EVEN DEATH.

PREPARATION:

1. Remove all tape and packaging.
2. Remove the wood shipping frame from around and under the appliance.
3. Check that no parts have become loose and the appliance has not been damaged during shipping.
4. Remove the hardware pack from the appliance.
5. **READ THE OWNER'S MANUAL BEFORE PROCEEDING.**

* Appliance should be located such that no doors, drapes, furniture or other combustibles can be placed close or swing closer than the minimum 36" clearance.

* The appliance must be installed in a level, secure position.

REQUIRED FLOOR PROTECTION:

NOTE: Minimum hearth extension of 35 5/8" width by 18" depth from fireplace opening is required.

<u>CHIMNEY LENGTH</u>	<u>Maximum</u>	<u>Minimum</u>
Vertical	33 Feet	15 Feet

OPTIONS

Your fireplace insert comes completely assembled. Options available for your fireplace insert are:

1. Surround Panels - 8", 10", and 12" Sizes (Brass Trim is included with Surround Panels)
2. Blower, Front

SAFETY

For your safety, examine the fireplace and chimney prior to installation of the insert to determine that they are free from cracks, loose mortar, creosote deposits, blockages, or other signs of deterioration. If evidence of deterioration is noted, the insert should not be installed until after repairs have been made. Any opening between the masonry of the fireplace and the facing masonry must be permanently sealed. Your fireplace insert is listed for installation into masonry fireplaces, and is approved to be installed with one of the following connections:

1. Positive
2. Direct
3. Face Seal

NOTE: It is recommended your chimney have a minimum 28 and a maximum of 144 square inch cross-sectional area to use a face seal connection, otherwise your chimney may not have sufficient draw for the fireplace insert to operate correctly. If your chimney does not fit within these parameters it is recommended you install a direct or positive connection.

When lifting the appliance, you may choose to remove the interior components to make it lighter. Refer to the section "REPLACEMENT PARTS AND REMOVAL INSTRUCTIONS" for the proper sequence of removal and replacement of internal components.

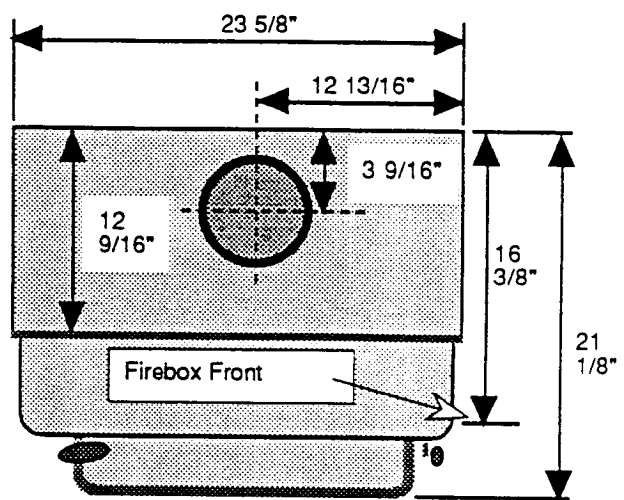
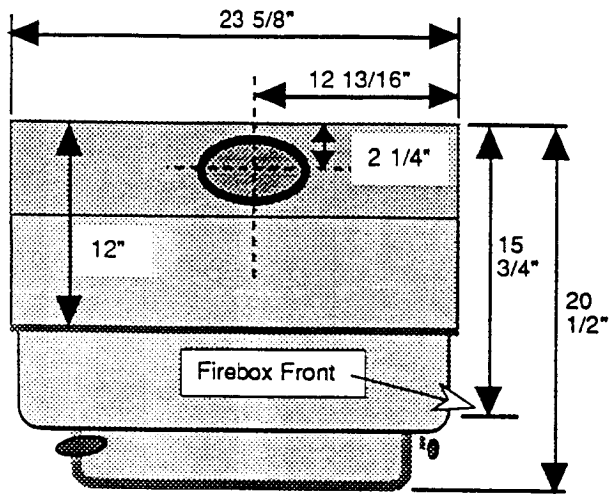
FIREPLACE INSERT - SPECIFICATIONS

LOCATION OF FLUE COLLAR DIMENSIONS REQUIRED FOR INSTALLATION INTO FIREPLACE AND PANEL SIZING. WHEN INSTALLING THE 796 45° FLUE, MAKE ALLOWANCE FOR THE DISTANCE THAT THE 45° ELBOW WILL EXTEND PAST THE BACK OF THE INSERT.

TOP VIEW

796 45° Flue

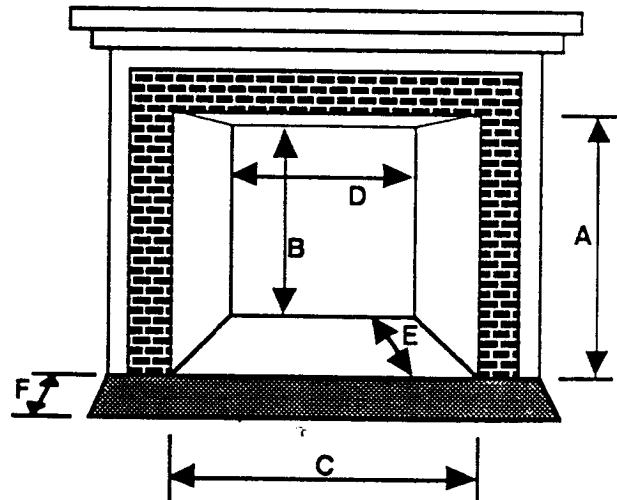
796 Top Flue



FIREPLACE SIZING

Measure and center the appliance into the fireplace based on the provided measurements.

	796 45° Flue	796 Top Flue
A. Minimum Height (Front)	20 1/8"	21 1/8"
B. Minimum Height (Back)	20 1/8"	21 1/8"
C. Minimum Width (Front)	23 5/8"	23 5/8"
D. Minimum Width (Back)	23 5/8"	23 5/8"
E. Depth into Fireplace	11 5/8"	11 1/8"
F. Extension onto Hearth	4 7/8"	4 7/8"



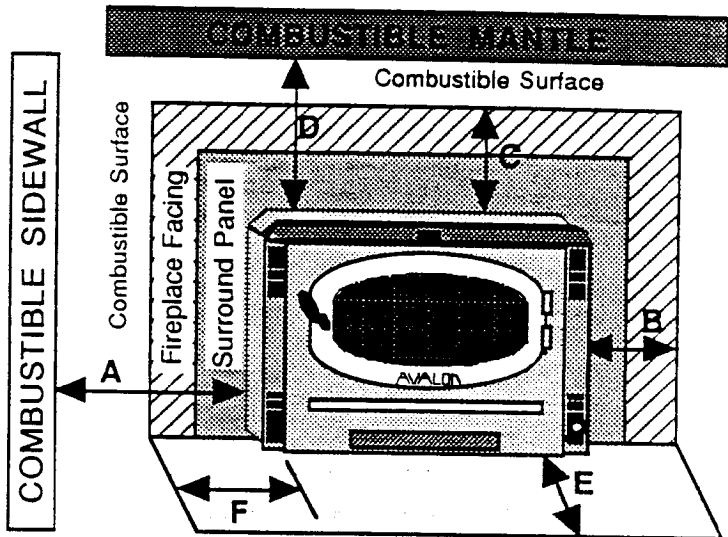
FIREPLACE INSERT - SPECIFICATIONS (Continued)

FLOOR PROTECTION:

Hearth of 35 1/4" width and 18" depth when the insert is in place (see "E" and "F" below).

CLEARANCE TO COMBUSTIBLES:

	796 45° Flue	796 Top Flue
A. Adjacent Sidewall to Insert	10"	10"
B. Side Facing	9"	9"
C. Top Facing (Facing with Shield)	20" 14 1/2"	20" 14 1/2"
D. Mantle to Insert (Mantle with Shield)	22" 16 1/2"	22" 16 1/2"
E. Minimum Floor Protection-Front	18"	18"
F. Minimum Floor Protection-Side	8"	8"

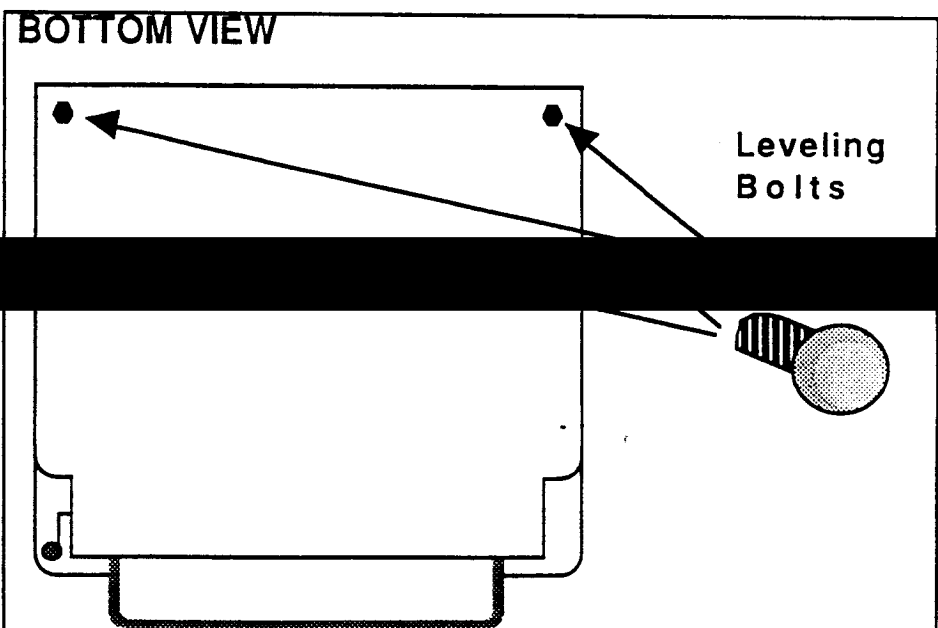


NOTE: For clearances, use this clearance diagram or the clearance diagram on the safety label attached to the back of the appliance.

LEVELING BOLTS

If your fireplace is stepped down from the hearth, you will be required to use the leveling bolts located within the hardware package.

Prior to placing the insert in the fireplace opening, measure the step-down. Screw the 1/2" bolts provided into the threaded holes in the back corners of the insert body and adjust



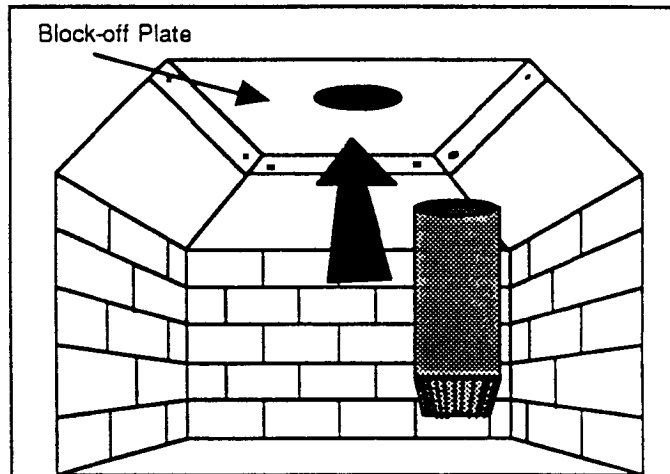
them to match the step-down measurement. As you install the insert the leveling bolts may need further adjustment. This may be done by tilting the insert slightly and turning the bolts.

MASONRY FIREPLACE INSERT INSTALLATION

Installation Using a Direct Connection

Using the direct connection between your insert and masonry chimney allows you to use your existing chimney with a minimum of installation work. An airtight seal must be made with a block-off plate to insure that your chimney will draw the smoke out of the appliance. The directions below illustrate one way to install your insert into a direct connection masonry chimney. There are other alternative methods. Check with your dealer or installer for information on other options available to you. The directions below should be followed in the order listed.

1. Inspect the masonry chimney and follow all the rules outlined in the section titled "CHIMNEY INFORMATION & REGULATIONS".
2. Follow the directions for making a block-off plate in the section titled "INSTALLATION OF A FIREPLACE BLOCK-OFF PLATE".
3. Follow all of the regulations and guidelines specified in the sections titled "FIREPLACE INSERT - SPECIFICATIONS" and "PREPARATION FOR INSTALLATION - MASONRY FIREPLACE INSERT".
4. Once the plate is in position, slide the pipe into the plate up through the damper. It **must** extend up to the flue liner or at least one foot past the block-off plate.
5. You may now place your new appliance into the fireplace opening and position the connector pipe so that it can be easily pushed into the flue opening on top of the insert. You may want to use a towel or blanket to protect the floor while positioning the insert.



6. Once this has been accomplished, reach in and pull the connector pipe down into the flue of the insert. If ample room between the top of the insert and the fireplace opening does not exist, you will need to remove the top firebricks by following the directions in the section "REPLACEMENT PARTS AND REMOVAL INSTRUCTIONS". Then reach inside the appliance and pull the connector down by placing your hand up through the flue opening of the appliance. The chimney connector should fit tight and secure into the flue opening.
7. With the connector in place, you have now completed the direct connection for your insert. It is a good idea to check your connection by trying to rock the chimney connector back and forth. If it feels snug, a good connection is established. If you can feel some play when you rock it back in forth, make sure that the insert is properly aligned and that the connector fits tight in the flue collar on top of the insert.
8. Take a look at the figure on the following page. Make sure all of the items listed are complete.

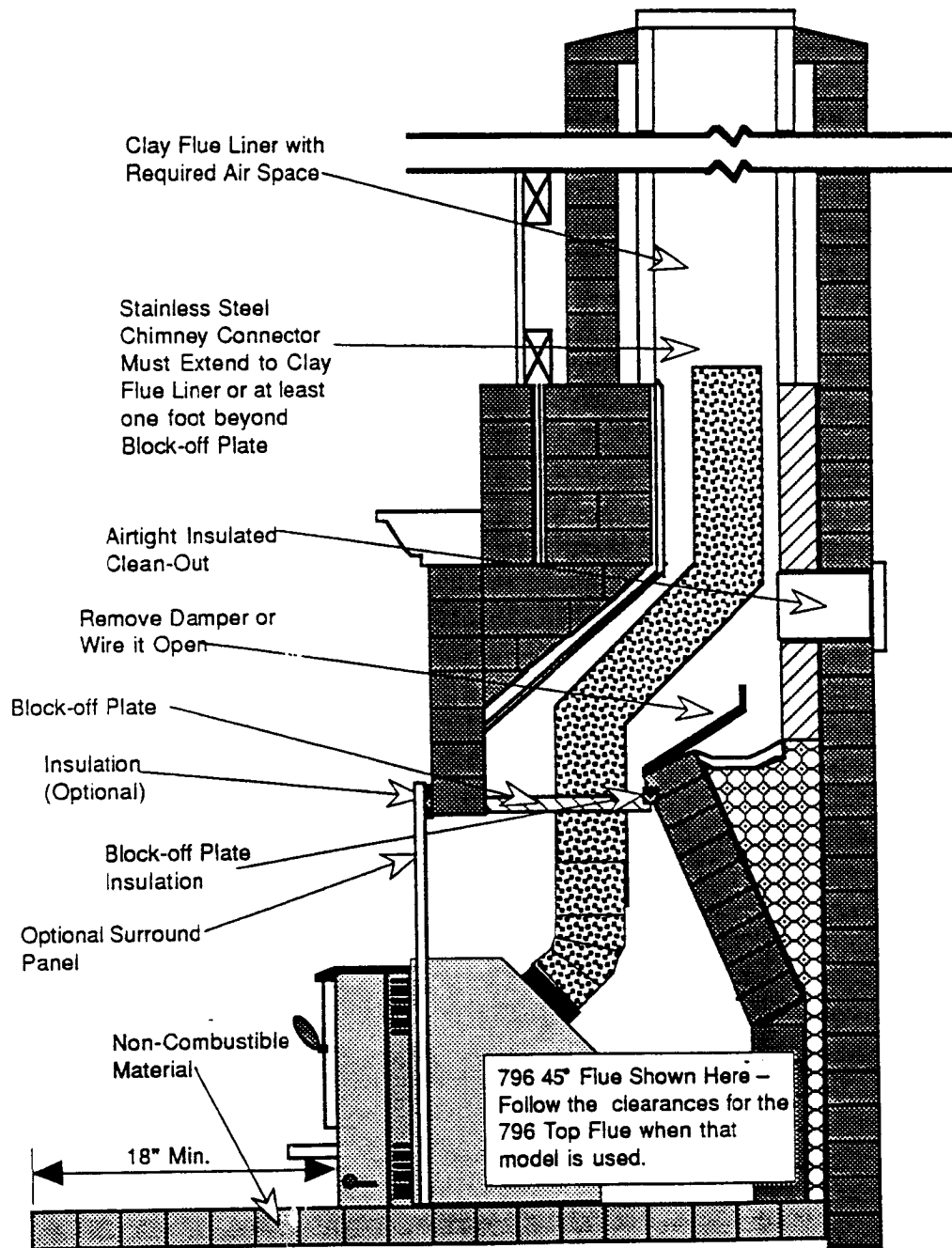
MASONRY FIREPLACE INSERT INSTALLATION (Cont.)

Installation Using a Direct Connection (Continued)

- To install the surround panels, follow the directions listed in the section "INSTALLING SURROUND PANELS". NOTE: Surround panels are not required for a direct connection if a block-off plate is used.

Follow the installation instructions in reverse order for periodic inspection and cleaning.

SIDE VIEW OF FIREPLACE INSERT DIRECT CONNECTION



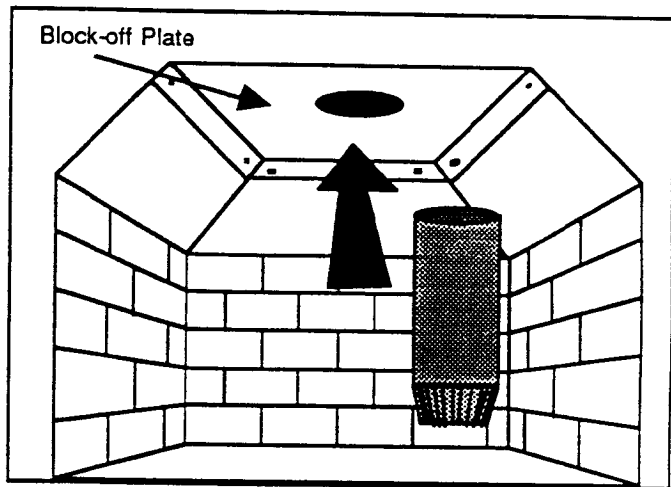
Follow the directions on the previous page for installation.

MASONRY FIREPLACE INSERT INSTALLATION (Cont.)

Installation Using a Positive Connection

Using a positive connection between your insert and masonry chimney allows you to use your existing masonry chimney to support a new factory-built chimney liner. The advantages of a positive connection are excellent chimney draft and ease of cleaning. A block-off plate is not needed for this type of installation because the positive connection provides sufficient draft. If one is used, it need not be airtight. The directions below illustrate one way to install your positive connection. There are several other alternative methods. Check with your dealer or installer for information on other options available to you.

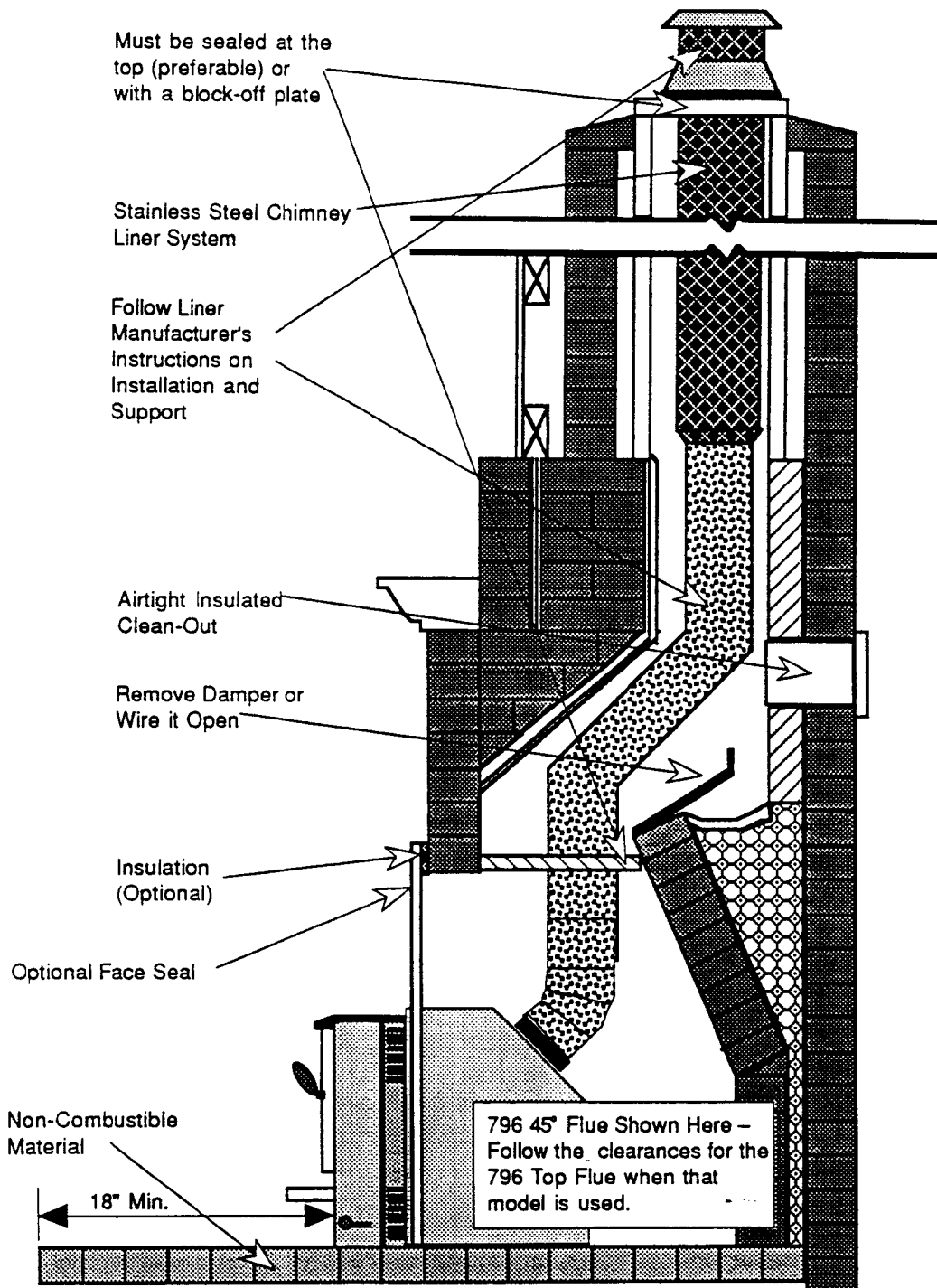
1. Install the positive connection (full reline) through the masonry chimney according to the manufacturer's instructions for installation and support. Make sure to follow all of the manufacturer's safety precautions during assembly. Inspect the masonry chimney and positive connection so that all of the rules outlined in the section titled "CHIMNEY INFORMATION & REGULATIONS" are met.
2. If a block-off plate is desired (optional), follow the directions for making a block-off plate in the section titled "INSTALLATION OF A FIREPLACE BLOCK-OFF PLATE".
3. Follow all of the regulations and guidelines specified in the sections titled "FIREPLACE INSERT - SPECIFICATIONS" and "PREPARATION FOR INSTALLATION - MASONRY FIREPLACE INSERT".
4. If you are using a block-off plate, slide the pipe into the plate up through the damper. If you are not using a block-off plate, make sure the last segment of the positive connection will reach the insert once it is inserted into the fireplace.
5. You may now place your insert into the fireplace opening and position the connector pipe so that it can be easily pushed into the flue opening on top of the insert. You may want to use a towel or blanket to protect the floor or panel finish while positioning the insert.
6. Once this has been accomplished, reach in and pull the connector pipe down into the flue of the insert. If ample room between the top of the insert and the fireplace opening does not exist, you will need to remove the top firebricks by following the directions in the section "REPLACEMENT PARTS AND REMOVAL INSTRUCTIONS". Then reach inside the appliance and pull the connector down by placing your hand up through the flue opening of the appliance. The chimney connector should fit tight and secure into the flue opening.
7. With the connector in place, you have now completed the positive connection for your insert. It is a good idea to check your connection by trying to rock the chimney connector back and forth. If it feels snug, a good connection is established. If you can feel some play when you rock it back in forth, make sure that the insert is properly aligned and that the connector fits tight in the flue collar on top of the insert.



MASONRY FIREPLACE INSERT INSTALLATION (Cont.)

Installation Using a Positive Connection (Continued)

8. Take a look at the figure below. Make sure all of the items listed below are completed.



9. To install the surround panels, follow the directions listed in the section "INSTALLING SURROUND PANELS".

Follow the installation instructions in reverse order for periodic inspection and cleaning.

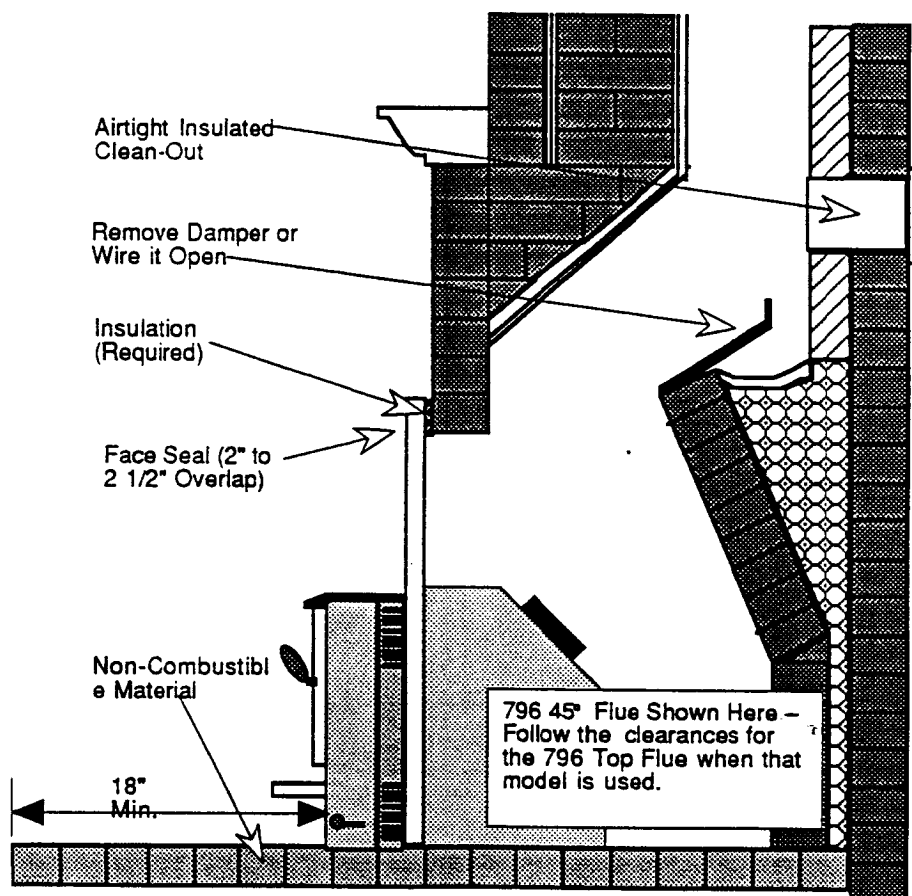
MASONRY FIREPLACE INSERT INSTALLATION (Cont.)

Installation Using a Face Seal Connection

NOTE: It is recommended your chimney have a minimum 28 and a maximum of 144 square inch cross-sectional area to use a face seal connection, otherwise your chimney may not have sufficient draw for the fireplace insert to operate correctly. If your chimney does not fit within these parameters it is recommended you install a direct or positive connection.

Using a face seal connection allows you to use your existing masonry chimney with your new insert. The advantages of a face seal connection are ease of installation and low cost. The directions below illustrate the way to install a face seal connection with your insert.

1. Inspect the masonry chimney to make sure the fireplace meets all of the rules outlined in the section titled "CHIMNEY INFORMATION & REGULATIONS". Make sure the fireplace and chimney are thoroughly cleaned and in good condition.
2. Follow all of the regulations and guidelines specified in the sections titled "FIREPLACE INSERT - SPECIFICATIONS" and "PREPARATION FOR INSTALLATION - MASONRY FIREPLACE INSERT".
3. Wire open or remove the fireplace damper
4. Follow the directions specified in the section titled "SURROUND PANEL INSTALLATION" for installation of the panels **and** the insulation. Insulation between the surround panels and the facing of the fireplace is required.
5. Take a look at the figure below. Make sure all of the items listed are completed.



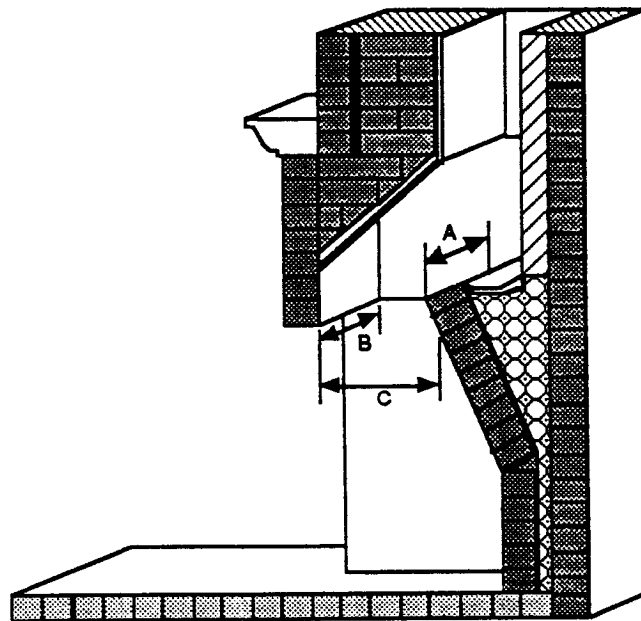
Follow the installation instructions in reverse order for periodic inspection and cleaning.

INSTALLATION OF A FIREPLACE BLOCK-OFF PLATE

A block-off plate is used to prevent the exhaust going into a masonry fireplace from entering the inside of the house. It ensures a tight seal between the masonry fireplace and the stove pipe leading through it. A properly made block-off plate, coupled with either a positive or direct connection, provides the wood heating appliance with a vacuum draw that pulls the flue gases out of the appliance and out the top of the chimney. The directions below show how a block-off plate is made.

1. Measure below damper area the width from side to side at rear of smoke chamber. Label this Measurement "A".
2. Measure the width below damper area from side to side at front of smoke chamber. Label this Measurement "B".
3. Measure the depth below damper front to back of smoke chamber. Label this Measurement "C".
4. Make a template of your measurements, but add 2" to each of the sides.

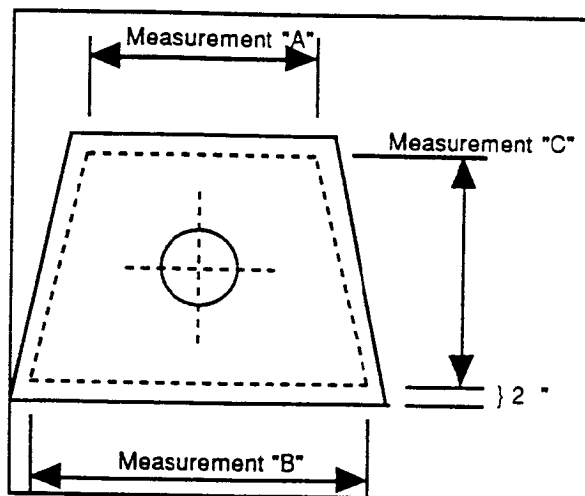
CROSS SECTION OF FIREPLACE



Your template should resemble the drawing on the next page with the dotted lines indicating your initial measurements and the solid line indicating the additional 2". You will use this template to cut a piece of sheet metal (minimum 24 gauge) to install in your smoke chamber.

The solid line will represent the shape of the piece of sheet metal cut while the dotted line will represent where you will bend the sheet metal for installation. Mark the position of several holes on each side to suit your specific installation, and drill 1/4" diameter holes.

INSTALLATION OF A FIREPLACE BLOCK-OFF PLATE (Continued)



5. Bend the sheet metal as indicated on the template at a 45 degree angle on each side after cutting the sheet metal (This 2" lip will allow you to screw this plate into the smoke chamber inside your fireplace). The 2" lip with the 1/4" diameter holes will allow you to screw the plate to the firebox walls.
6. Determine the position of where to cut the 6-1/4" hole in the sheet metal plate so that it lines up with the chimney flue opening and the final position of the wood burning appliance, then cut the hole. If you are installing surround panels with your insert, refer to the section "SURROUND PANEL INSTALLATION" for how to position your insert correctly.
7. Put the plate in position and drill the mounting holes. Then bolt into position using the mounting bolts. The seal can be completed by using fiberglass insulation and/or furnace cement between the masonry and the block-off plate.

NOTE: Allow the furnace cement to cure for 12 to 24 hours before starting a fire.

PREPARATION FOR INSTALLATION - ZERO CLEARANCE (METAL) FIREPLACE

READ THIS ENTIRE MANUAL BEFORE YOU INSTALL AND USE YOUR NEW APPLIANCE. FAILURE TO FOLLOW INSTRUCTIONS MAY RESULT IN PROPERTY DAMAGE, BODILY INJURY, OR EVEN DEATH.

PREPARATION:

1. Remove all tape and packaging.
2. Remove the wood shipping frame from around and under the appliance.
3. Check that no parts have become loose and the appliance has not been damaged during shipping.
4. Remove the hardware pack from the appliance.
5. **READ THE OWNER'S MANUAL BEFORE PROCEEDING.**

- * Appliance should be located such that no doors, drapes, furniture or other combustibles can be placed close or swing closer than the minimum 36" clearance.
- * The appliance must be installed in a level, secure position.

REQUIRED FLOOR PROTECTION:

NOTE: Minimum hearth extension of 35 5/8" width by 18" depth from fireplace opening is required.

<u>CHIMNEY LENGTH</u>	<u>Maximum</u>	<u>Minimum</u>
Vertical	33 Feet	15 Feet

OPTIONS

Your fireplace insert comes completely assembled. Options available for your fireplace insert are listed below. Installation instructions for these options are in the section "INSERT OPTIONAL EQUIPMENT".

1. Surround Panels - 8", 10", and 12" Sizes (Brass Trim is included with Surround Panels)
2. Blower, Front

SAFETY

For your safety, examine the fireplace and chimney prior to installation of the appliance to determine that they are free from cracks, creosote deposits, blockages, or other signs of deterioration. If evidence of deterioration is noted, the insert should not be installed until after repairs have been made.

Your Avalon 796 is listed for installation into the following brands of zero clearance (metal) fireplaces.

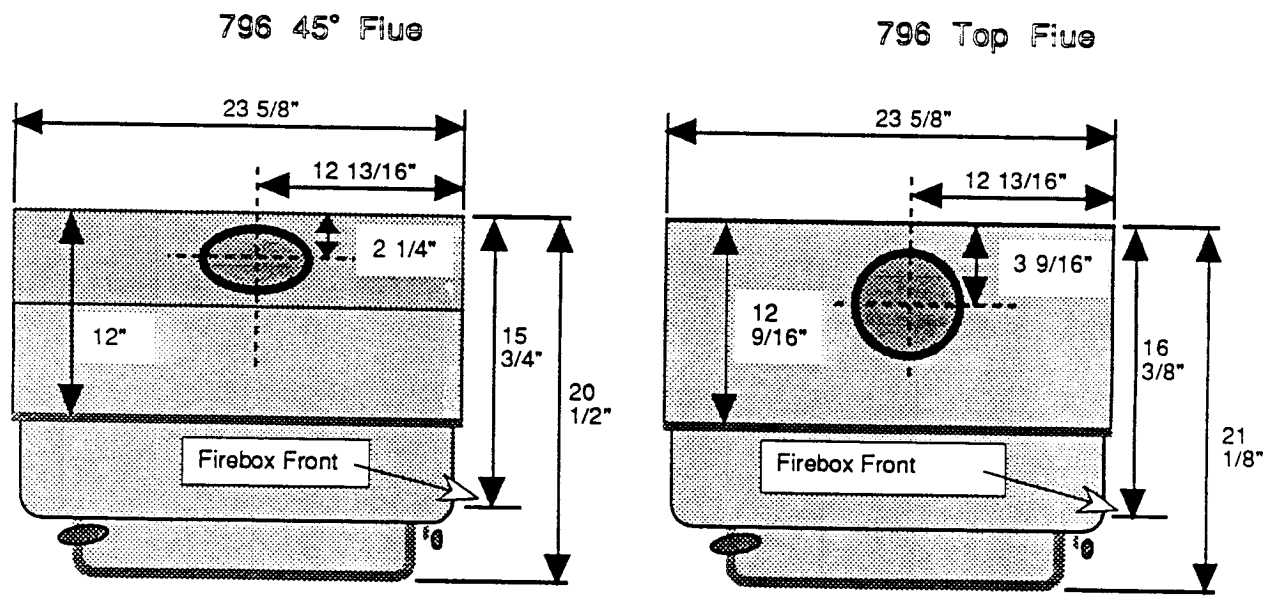
- Marco
- Preway
- Majestic
- Tempco
- Heatilator
- Superior

When lifting the appliance, you may choose to remove the interior components to make it lighter. Refer to the section "REPLACEMENT PARTS AND REMOVAL INSTRUCTIONS" for the proper sequence of removal and replacement of internal components.

ZERO CLEARANCE (METAL) FIREPLACE - SPECIFICATIONS

LOCATION OF FLUE COLLAR DIMENSIONS REQUIRED FOR INSTALLATION INTO FIREPLACE AND PANEL SIZING. WHEN INSTALLING THE 796 45° FLUE, MAKE ALLOWANCE FOR THE DISTANCE THAT THE 45° ELBOW WILL EXTEND PAST THE BACK OF THE INSERT.

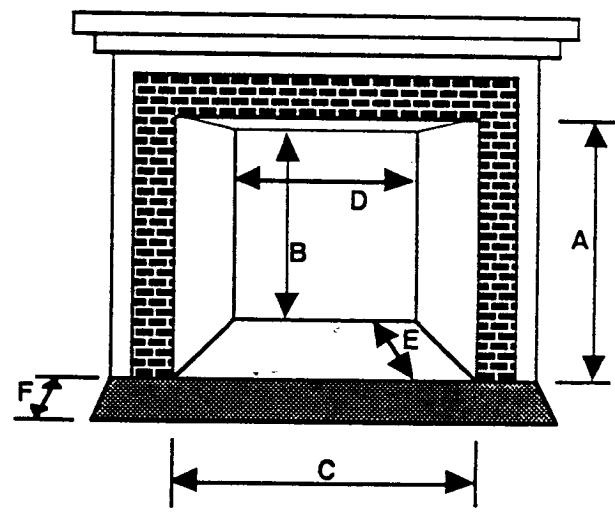
TOP VIEW



FIREPLACE SIZING

Measure and center the appliance into the fireplace based on the provided measurements.

	796 45° Flue	796 Top Flue
A. Minimum Height (Front)	20 1/8"	21 1/8"
B. Minimum Height (Back)	20 1/8"	21 1/8"
C. Minimum Width (Front)*	25 5/8"	25 5/8"
D. Minimum Width (Back)*	25 5/8"	25 5/8"
E. Depth into Fireplace*	12 5/8"	12 1/8"
F. Extension onto Hearth	4 7/8"	4 7/8"



* These dimensions include the 1" air space required between the sides and back of the insert and the metal firebox of the zero clearance (metal) fireplace.

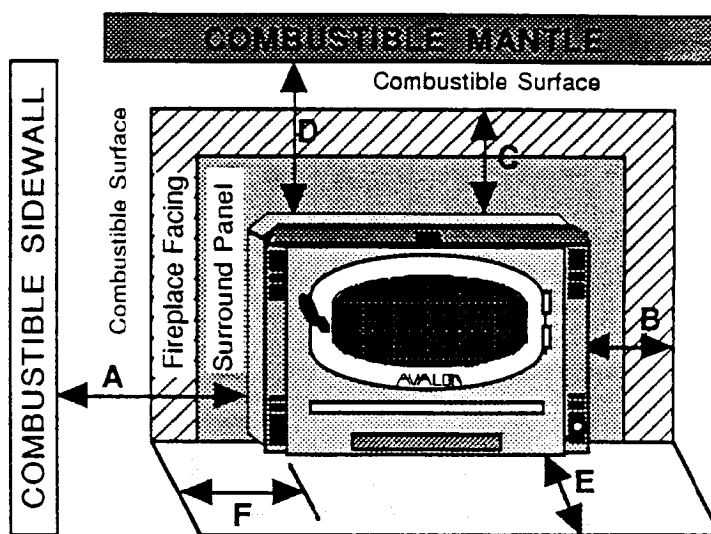
ZERO CLEARANCE (METAL) FIREPLACE - SPECIFICATIONS (Continued)

FLOOR PROTECTION:

Hearth of 35 1/4" width and 18" depth when the insert is in place (see "E" and "F" below).

CLEARANCE TO COMBUSTIBLES:

	796 45° Flue	796 Top Flue
A. Adjacent Sidewall to Insert	30"	30"
B. Side Facing	12"	12"
C. Top Facing	12"	12"
D. Mantle to Insert	24"	24"
E. Minimum Floor Protection-Front	18"	18"
F. Minimum Floor Protection-Side	8"	8"

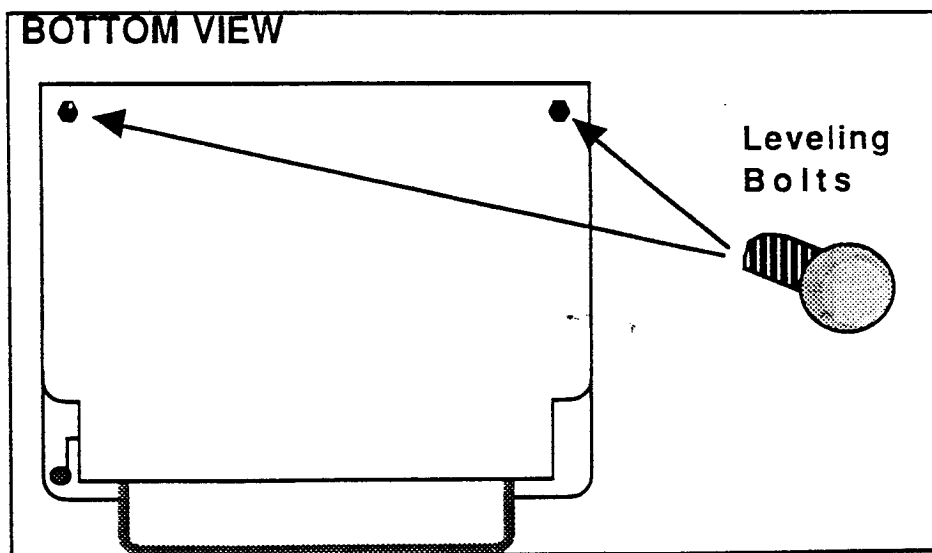


NOTE: For clearances, use this clearance diagram or the clearance diagram on the safety label attached to the back of the appliance.

LEVELING BOLTS

If your fireplace is stepped down from the hearth, you will be required to use the leveling bolts located within the hardware package.

Prior to placing the insert in the fireplace opening, measure the step-down. Screw the 1/2" bolts provided into the threaded holes in the back corners of the insert body and adjust them to match the step-down measurement. As you install the insert the leveling bolts may need further adjustment. This may be done by tilting the insert slightly and turning the bolts.



ZERO CLEARANCE (METAL) FIREPLACE INSTALLATION

Your new wood burning insert is approved for use in suitable zero clearance (metal) fireplaces. Make sure to follow all of the steps listed below to insure proper installation. The installation technique below illustrates one way of installing your insert. Check with your dealer or installer for information on other installation options available to you.

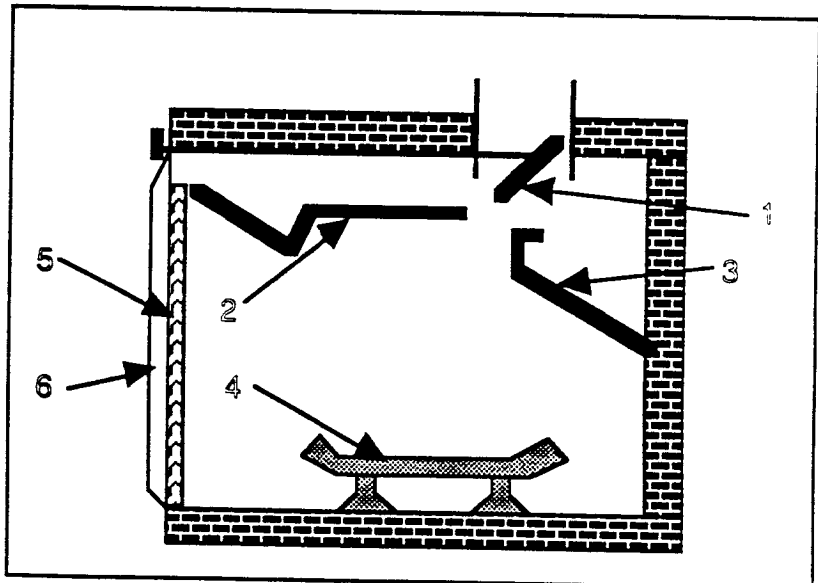
1. Inspect the chimney and make sure it follows all the rules outlined in the section titled "CHIMNEY INFORMATION & REGULATIONS".
2. Follow all of the regulations and guidelines specified in the sections titled "ZERO CLEARANCE (METAL) FIREPLACE INSERT - SPECIFICATIONS" and "PREPARATION FOR INSTALLATION - ZERO CLEARANCE (METAL) FIREPLACE INSERT ". Make sure that your brand of zero clearance (metal) fireplace matches one that is listed. Check with your dealer or installer if there are any discrepancies.
3. The next step in installing a zero clearance insert is to remove all of the unnecessary components on your brand of fireplace. Because of the wide differences between fireplace brands and models, it would be difficult to list all the variations. Below, we have provided a generic view of a typical zero clearance fireplace to illustrate which parts may or may not be removed.

Parts that may be removed:

1. Damper plate (Must be removed)
2. Smoke shelf
3. All internal baffles
4. Grates (Must be removed)
5. Metal Screen
6. Glass Screen or Doors

Parts that may not be removed:

- Masonry lining or firebricks
- Any insulating materials.
- Any structured rigid frame members (metal sides, floor, door frame, face of fireplace, etc.)

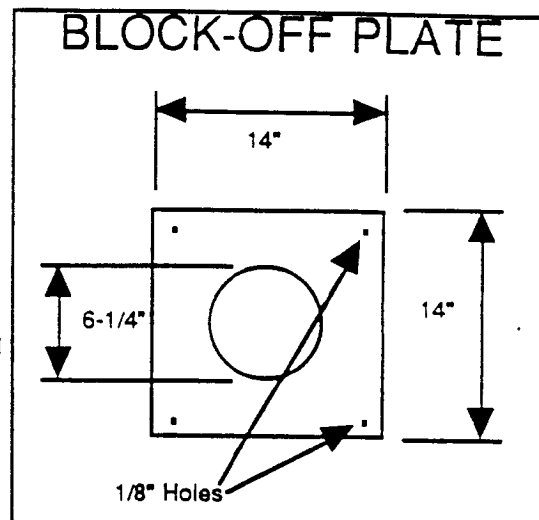


NOTE: The installation of the decorative panels and trim is optional and not required. An alternative to using the decorative panels is to simply draw the fireplace screens closed around the insert.

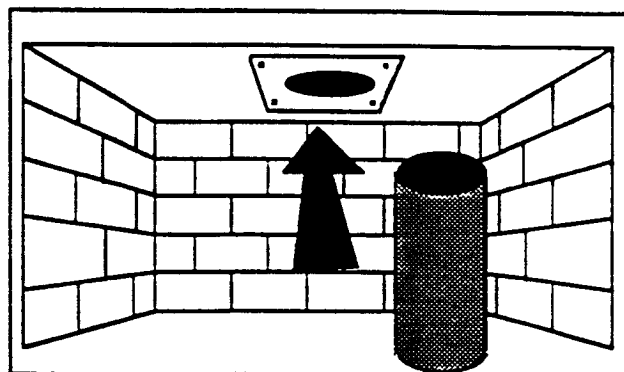
4. THE ZERO CLEARANCE FIREPLACE MUST BE INSTALLED WITH A STAINLESS STEEL STARTER PIPE THAT PENETRATES BEYOND THE SMOKE SHELF AND IS DIRECTLY CONNECTED TO THE FIREPLACE CHIMNEY. You may want to construct a steel block off plate and install it or use a pipe adaptor to fill the gap between the fireplace chimney and the 6" stainless steel starter pipe that you will be installing. See the illustration of a block-off plate example on the next page for what a block-off plate should look like in a zero clearance (metal) fireplace.
5. Allow a minimum of 1" on each side of the plate larger than the outside dimension of the chimney flue diameter. The 1" overlap of the block off plate is required to properly seal the gap between the chimney and the 6-1/4" hole in the block off plate.

ZERO CLEARANCE (METAL) FIREPLACE INSTALLATION (Continued)

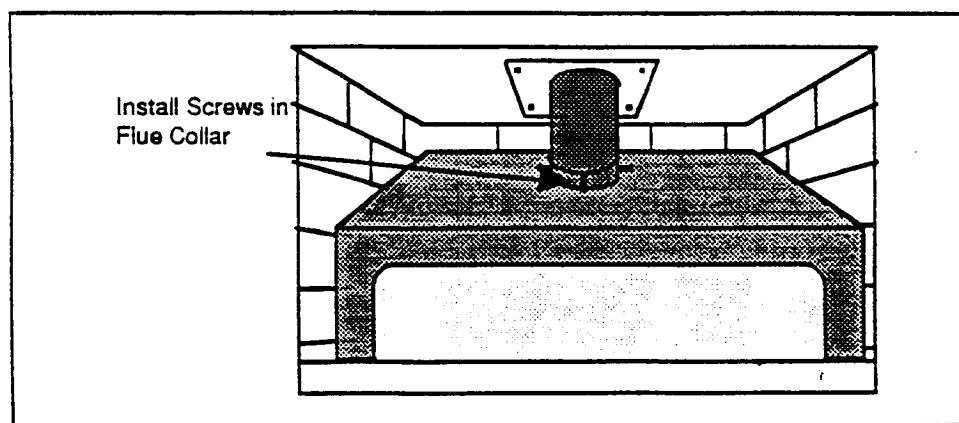
6. After the plate has been trimmed, drill four 1/8" holes in the plate as shown. These holes will be used for mounting the plate to the inside of the fireplace.
7. Place the plate inside the fireplace over the chimney flue centering the 6-1/4" hole in the chimney flue exit. Mark the location of the 1/8" mounting holes on the inside top of the fireplace. Drill the holes with a 1/8" drill bit.
8. Put the starter pipe through the block off plate, leaving enough sticking through to allow it to be connected to the appliance.



9. You can now place your appliance into the fireplace opening and position the starter pipe so it can be easily pushed into the flue opening on top of the insert.
10. If the stove needs to be leveled, follow the directions for using the leveling bolts described in the specifications portion for zero clearance installation.



11. Once the insert is in position and leveled, connect the 6" liner to the unit and secure it with sheet metal screws through the holes in the flue collar.



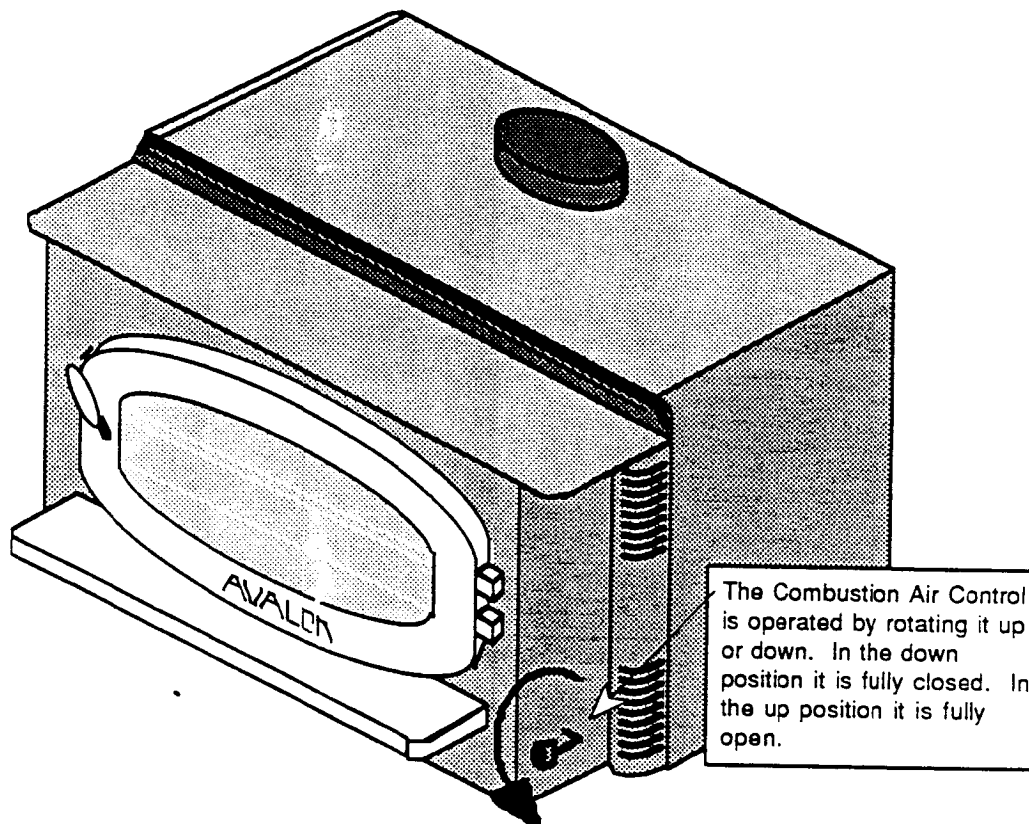
12. To install the surround panels or front blower, follow the directions listed in the section "INSERT OPTIONAL EQUIPMENT". NOTE: Insulation for the surround panels is not required.

OPERATING YOUR APPLIANCE

Location and Use of Controls

Combustion Air Control

The Combustion Air Control is located on the lower right side. It is controlled by rotating it up and down. When it is completely down, it is in the fully closed position. In the upwards position it is in the fully open position, allowing for the most amount of air into the firebox, increasing combustion.



OPERATING YOUR APPLIANCE (Continued)

To build a fire in disregard of the information provided in this section can cause permanent damage to your appliance and void your warranty.

This appliance is not designed for use with the door open. Burning with the loading door open could create a safety hazard.

Burning Procedure

1. Open the door and place some paper and kindling or a solid, wax impregnated firestarter inside the appliance.
2. Make sure that the combustion air intake control is fully open by rotating the control knob all the way up.
3. Now light the fire. Once the kindling is burning, add some small dry pieces of wood and close the loading door. **NOTE:** The first two or three fires in your new appliance will cause the high temperature paint to give off a slight odor and a small amount of smoke. This is the paint curing. For best results during the curing of the paint, burn small intense fires so the appliance does not overheat. The high temperature paint cures best at medium temperatures. Also, the viewing glass may become somewhat obscure the first few times, as your appliance is drying all moisture from bricks and even the steel itself.
4. Next add two or three medium size dry logs (use of green or wet wood in your appliance will develop creosote, cloud glass, and greatly decrease its efficiency). At this time establish a hot fire with a bed of red hot coals.
5. To slow the rate of burn, you can close (rotate down) the combustion air intake control (lower right of the appliance) as needed.

NOTE: Over-restricting the amount of combustion air into the appliance will cause creosote build-up on glass and in the appliance and flue. This will also greatly decrease the efficiency of the appliance.

Do not open the door of your appliance when the air control inlet is fully closed. There is a possibility with a solid fuel burning appliance that doing so could result in a sudden flash of flames as the fire ignites with oxygen. However, your Avalon 796 has been thoroughly safety tested to reduce this possibility.

If your home is a new, airtight energy efficient home, you may have to supply an outside air inlet to prevent possible air starvation to appliance.

OPERATING YOUR APPLIANCE (Continued)

Burning Your Appliance Efficiently

Your Avalon 796 is designed to heat your home efficiently with the lowest amount of creosote build-up and pollutants emitted. The following steps provide a guideline to efficient burning:

On cold days, when you wish for high heat output from your appliance, load the appliance fully after the fire has been established and burn at a medium-high to high burn mode. When a comfortable heat level in your home has been reached, subsequent loadings would be of lesser amounts of wood. On warmer days, burn smaller fires, using less wood. This method will give you the most efficient burn possible.

Although the fire will burn longer at a lower setting, your appliance will not produce as much heat and it will increase soot accumulation on the appliance, chimney and glass.

For an overnight burn, establish a hot fire. Before you are ready to retire, completely fill the appliance with wood. With the controls in the fully open position, let the fire burn intensely for 20-30 minutes. Next adjust the combustion air control so that a low, lazy flame is visible. You should be able to maintain a fire for about 8 hours, depending on the type of wood used, and still have a coal bed, with no visible flame, left to start the morning fire. To re-establish a fire after an overnight burn, open the controls fully and stir the ashes to bring hot coals to the surface. Then follow the instructions under "first fire". If you dampen the fire down too low, you will not only lower the heat output, but you will be promoting creosote build-up. It will take a few days of practice to achieve the desired settings.

APPROXIMATE COMBUSTION AIR CONTROL SETTINGS

TYPE OF BURN RATE	AIR CONTROL SETTING
Overnight Burn.....	1/64" Open
Medium Burn	1/64" to 1/32" Open
Medium High Burn	1/32" to 1/16" Open
High Burn.....	Fully Open

Daily Use of Your Appliance

During daily use of your appliance you will learn what rates of burn best accommodate your heating needs. A stove thermometer is highly recommended. Approximate low burn is 300 degrees F., approximate medium burn is 500 to 600 degrees F. and approximate high burn is 800 degrees F. with the thermometer located on the top of the appliance.

Some helpful hints: After loading your appliance, open the air control and allow your appliance to burn vigorously for 20 to 30 minutes. This will assist in the burn-off of any creosote which accumulates over periods of extended use at low settings.

OPERATING YOUR APPLIANCE (Continued)

Wood

This appliance is designed to burn natural wood only. Higher efficiencies and lower emissions generally result when you burn air dried, seasoned hardwoods as compared to softwoods or to green or freshly cut hardwoods. **DO NOT BURN** treated wood, garbage, solvents, trash, coal, cardboard, colored paper, or wax impregnated logs (i.e. Duraflame, etc.). Burning treated wood, garbage, solvents, colored paper or driftwood from salt water may result in release of toxic fumes and may render the appliance ineffective and void the limited warranty. Burning coal, cardboard or loose paper can produce soot, large flakes, char or fly ash that can coat the inside of your appliance, causing smoke spillage into the room.

Choosing the kind of firewood to burn in your appliance depends on what is available to you. If all you can obtain is softwoods, obviously, that will be your choice.

Softwoods such as pine and fir are easily ignited and burn rapidly with hot flames. Since they burn so easily and quickly you will have to spend more time loading your firebox, especially in the high burn mode. With softwoods it will be much more difficult to achieve an overnight burn. Furthermore, softwoods make it necessary to reload the appliance more often. The chart below outlines the advantages of using hardwood.

SPECIES*	LBS./CORD**	BTU's/CORD**	Hours per Cord at 40,000 BTU's per Hour**
ALDER	2540	19,050,000	476
APPLE	4400	33,000,000	825
ASH	3440	25,800,000	645
BIRCH	3040	22,800,000	705
CEDAR	2060	15,450,000	386
COTTONWOOD	2160	16,200,000	405
DOGWOOD	4320	31,725,000	793
ELM	2260	16,950,000	423
FIR, DOUGLAS	2970	22,275,000	556
HEMLOCK	2700	20,250,000	506
MAPLE	3200	24,000,000	600
OAK, RED	3680	27,600,000	690
OAK, WHITE	4200	31,500,000	787
PINE	2250	16,875,000	421
REDWOOD	2400	18,000,000	450
SPRUCE	2240	16,800,000	420

* At 20% moisture content

** All values are approximate

If you have a choice it is best to use the more dense hardwoods for a longer lasting fire. The best arrangement is to have a mix of softwoods and hardwoods for ease of start-up and a longer lasting fire. Also, it is a good idea once the fire is established to use larger diameter logs stacked tightly together. This will promote a longer burn time.

Wood is typically sold by the "cord". A cord is a nicely stacked pile of logs measuring 4 feet wide by 4 feet high by 8 feet long. Always look for the driest wood especially if you purchase your wood by weight. Unseasoned, wet wood is much heavier.

Moisture content of the wood greatly affects the way any appliance operates. Well seasoned wood (split, stacked and kept dry for at least 12 months) is your best fuel choice.

OPERATING YOUR APPLIANCE (Continued)

Wood (Continued)

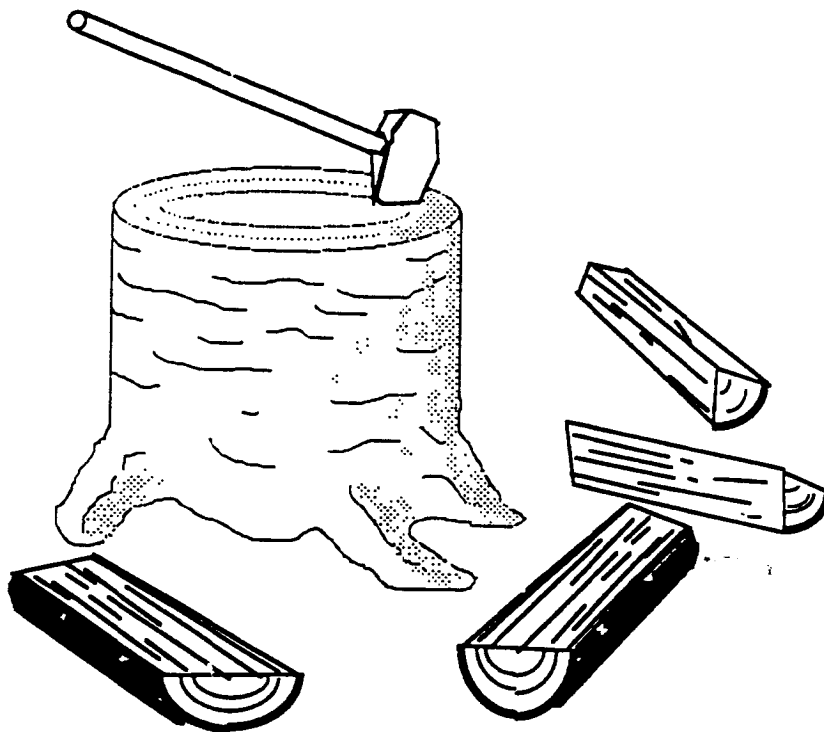
Wet wood not only causes more work for you due to the increase in weight making it more burdensome to carry, but most importantly it will not burn as efficiently. You will receive less heat output from a wet piece of wood because it wastes energy evaporating the water, energy that should be used for heating your home. When a wet piece of wood is placed in your appliance it will also cause more creosote accumulation on the glass, in the appliance, flue and chimney. The primary reason for this is, as the water evaporates from the wood it will "spit" creosote-like material. If you can hear your wood sizzle or you can see moisture bubbling from the ends of the logs placed in a HOT appliance, your wood is too wet! Another big advantage to burning seasoned wood, aside from higher efficiency and less creosote, is **LESS POLLUTION!**

Seasoning Wood

Green wood will burn, but seasoned or dry wood is lighter, has more heat value, and is less apt to form creosote deposits. Any moisture in the wood reduces the recoverable heat because water absorbs heat in the process of being changed to steam. The net heat from a pound of completely dry (no moisture) hardwood is about 7,950 BTU's. All wood has some moisture in it which reduces the net usable heat at a rate of 1,200 BTU's per pound of water.

The moisture in the wood of living trees varies among species, within a species, and even within individual trees. Frequently, there is a significant difference between the quantity of moisture contained in the central column of heartwood of a tree and the outer layers of sapwood which is surrounded with bark. For example, freshly cut American beech has been found to have a heartwood moisture content of 72%. In contrast, heartwood moisture contents in American elm, northern red oak, and white ash are 95, 80 and 46%, respectively.

When drying wood, the greater the surface area exposed to the air, the more rapid the drying. Therefore, stack the wood in loose piles that are raised off the ground. Wood greater than 8 inches in diameter or longer than 4 feet dries very slowly. Reduce the size of such sticks by splitting and/or sawing.

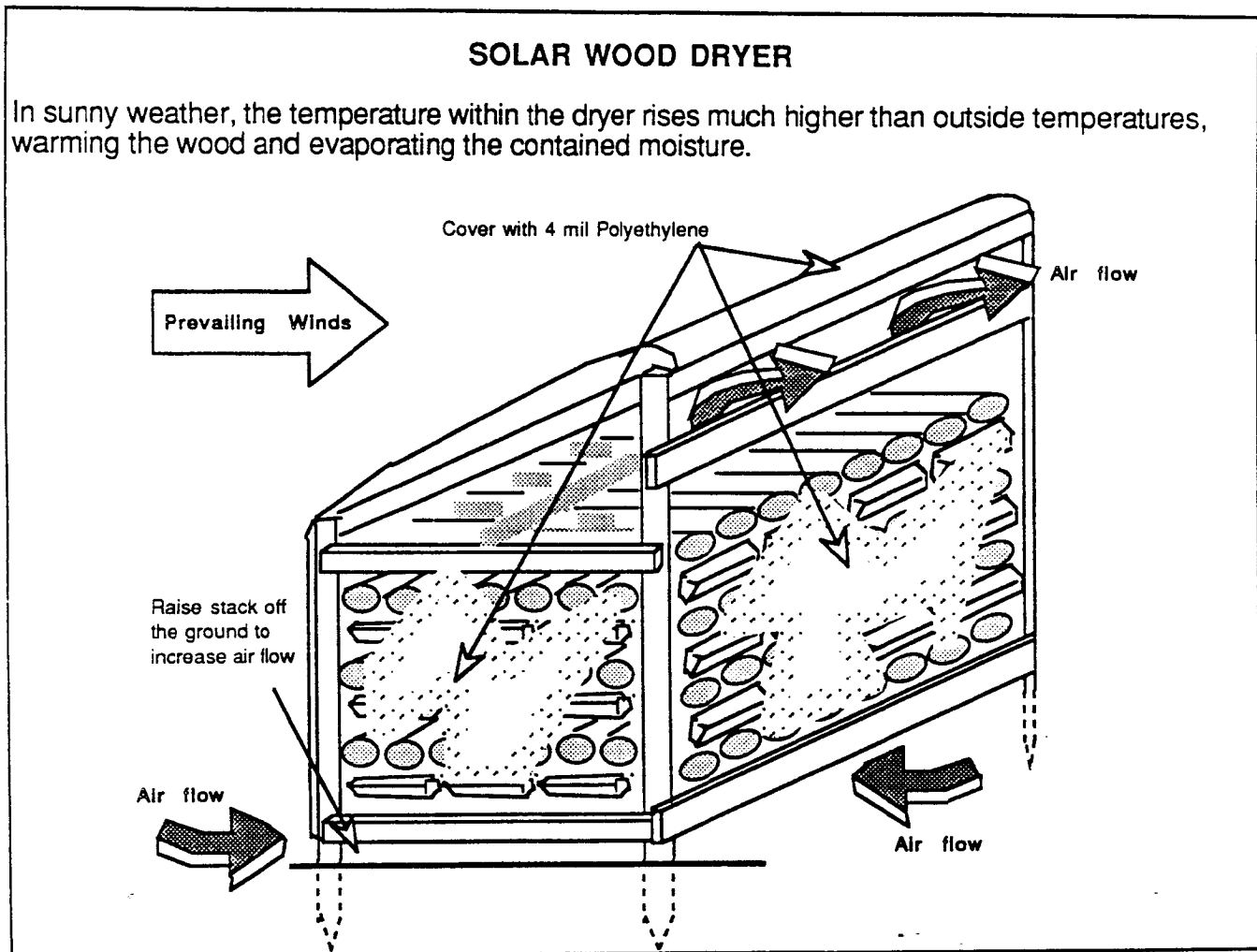


OPERATING YOUR APPLIANCE (Continued)

Seasoning Wood (Continued)

Place firewood in an open area to obtain rapid drying and to prevent deterioration. Preferably, put a cover on the top tier of wood. If you cut trees in summer, let them lie for a week. The leaves will draw moisture from the wood and dry it more quickly than if you limb the tree immediately.

Seasoning can be accelerated greatly by simply stacking fuelwood in a sunny location and then covering it with clear plastic sheeting. In sunny weather, temperatures within the plastic covering will rise much higher than outside, warming the wood and evaporating the contained moisture. The water vapor produced either escapes or condenses on the plastic covering; therefore some arrangement for ventilation is necessary. It is also desirable to hold the plastic away from the rough ends of the wood to prevent abrasion, allow air to flow, and keep any condensation from re-wetting the wood.



Many arrangements for plastic covering are possible. Thin 2 millimeter, clear polyethylene sheeting sold for drop cloths or garden mulching is not recommended because it is easily torn. The 4 millimeter thickness is more satisfactory and less costly than 6 millimeter. Any clear polyethylene deteriorates badly after a few months of exposure to full sunlight, so the stack may have to be re-roofed to remain dry over winter.

OPERATING YOUR APPLIANCE (Continued)

Seasoning Wood (Continued)

The bathroom scales can be used to check if firewood is still seasoning. Weigh a basket or bag of a few pieces of firewood. Place them back in the wood pile as an identified unit. Then weigh them again in about a month. If they have lost weight, the wood is still drying. Cracks that appear in the end of logs are good signs that the wood is well seasoned.

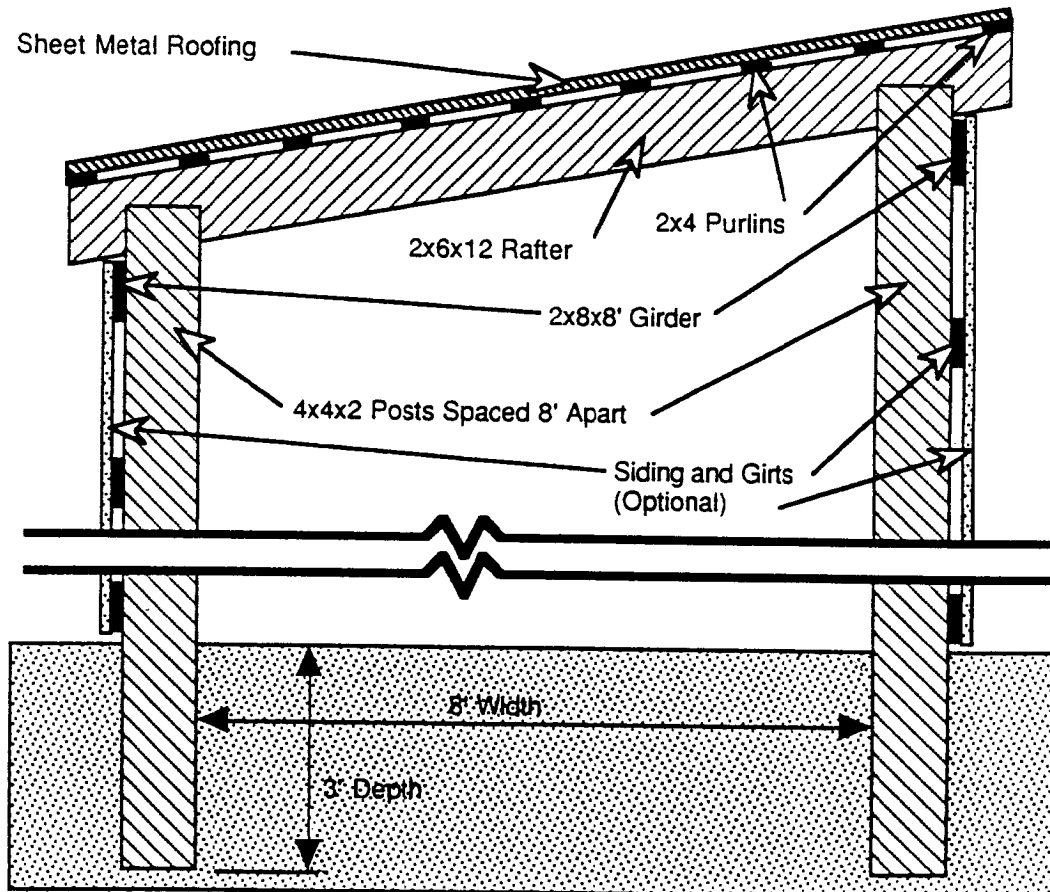
Generally, wood that is 1) cut to length, 2) split, and 3) stacked in the open, preferably with a cover, during the winter, should be thoroughly seasoned by the next heating season.

Storing Wood

Firewood is best stored outdoors, under cover and near the house so that valuable space in the house is not used, insects are kept outside, and the dirt problem is reduced. Store the wood under cover to keep it dry and its fuel value high. It can be stored in a wood shed, utility building, garage or under a sheet of plastic or sheet metal roofing.

When drying wood, the greater the surface area exposed to the air, the more rapid the drying. Wood greater than 8" in diameter or longer than 4' dries very slowly. Reduce the size of such sticks by splitting and/or sawing. Be sure to keep an air space between the wood and any covering. Stack the wood in loose piles that are raised off the ground. This will promote air circulation that helps dry the wood.

TYPICAL WOOD SHED



OPERATING YOUR APPLIANCE (Continued)

Storing Wood (Continued)

If sufficient space is available under a roof, seasoning and storage can be accomplished in one handling. This practice eliminates the extra handling of moving wood that has been dried outside into a covered storage area.

Outside, wood will dry to between 14 and 25% moisture content depending on humidity, temperature, and wind. In a garage or woodshed it may dry to between 10 and 15% moisture content; and wood may dry to between 5 and 12% in the house.

End braces can be used if you have difficulty stacking wood and if the pile collapses at either end. Constructed with two-by-fours, end braces are like book ends and can be built to accurately measure a standard cord. The boards beneath the woodpile keep the bottom row off wet ground.

In some homes a wood box can be constructed inside the house, convenient to the wood appliance and which has loading access outside. The access door to the wood box from the outside of the house should be tight fitting.

OPERATING YOUR APPLIANCE (Continued)

SAFETY IN OPERATION

The Following Safety Rules Should Be Followed Whenever Using Your Appliance:

1. Do not use this appliance for any purpose other than heating. Burn solid wood fuels only.
2. Never use gasoline, gasoline-type lantern fuel, kerosene, engine oil, charcoal lighter fluid, or similar liquids to start or "freshen up" a fire. Keep all such liquids well away from the appliance while it is in use.
3. Do not burn garbage in your appliance, or use chemicals or fluids to start the fire.
4. Use caution when loading fuel into the appliance after it is already burning vigorously.
5. Do not over-fire the appliance at any time. If the appliance glows red, it is over-fired.
6. Keep all household combustibles and appliance fuel at least 3 feet from the appliance at all times. Store fuel in a dry place well away from the appliance.
7. Do not support or elevate the fire off of the firebrick. Burn the fire directly on the bricks. Do not use a grate.
8. Educate your children of the dangers associated with fire and the presence of a hot appliance. Touching a radiating surface can cause serious burns. Child guards are available through your dealer.
9. Keep loading door closed at all times except to load fuel.
10. Avoid placing logs and fire against viewing glass.
11. Maintain the door and glass seal and keep them in good condition.
12. Do not modify your combustion air control to allow more air into your appliance.
13. Do not burn any kind of coal in this appliance.
14. Do not slam door or strike glass.

CARE AND MAINTENANCE

Maintenance Schedule

The following schedule should be followed to insure your appliance stays in peak condition.

Weekly Maintenance: The following should be done once a week:

ASH DISPOSAL
BRASS CLEANING
GLASS CLEANING

Bi-Monthly Maintenance: The following should be done every two months:

CHECK FOR CREOSOTE
DOOR AND GLASS GASKET INSPECTION
LUBRICATE THE DOOR HINGE AND CONTROLS

Yearly Maintenance: The following should be done after each heating season:

FIREBRICK REMOVAL AND CLEANING
APPLIANCE TOUCH-UP
BLOWER CLEANING (If Applicable)

Maintenance Instructions

ASH DISPOSAL

During constant periods of use ashes must be periodically removed from the appliance to prevent a build-up which will affect the performance and limit the fuel load capacity.

Ashes should be placed in a metal container with a tight fitting lid. The closed container of ashes should be stored on a non-combustible floor or on the ground, well away from any combustible material, pending final disposal. If the ashes are to be disposed of by burial in soil or otherwise locally dispersed, they should be retained in the closed container until all cinders have thoroughly cooled. Other waste must not be placed in this container.

BRASS CLEANING

Your Avalon 796 may come with a solid brass door, ashlip trim and panel trim, which will require periodic attention to retain its luster. Use a non-abrasive polish, such as "FLITZ" on the solid brass door and clean it only when it is cool. A suitable polish is available at your dealer. The brass ashlip and panel trim should only be cleaned with soap and water. The use of ANY type of brass polish will damage the finish.

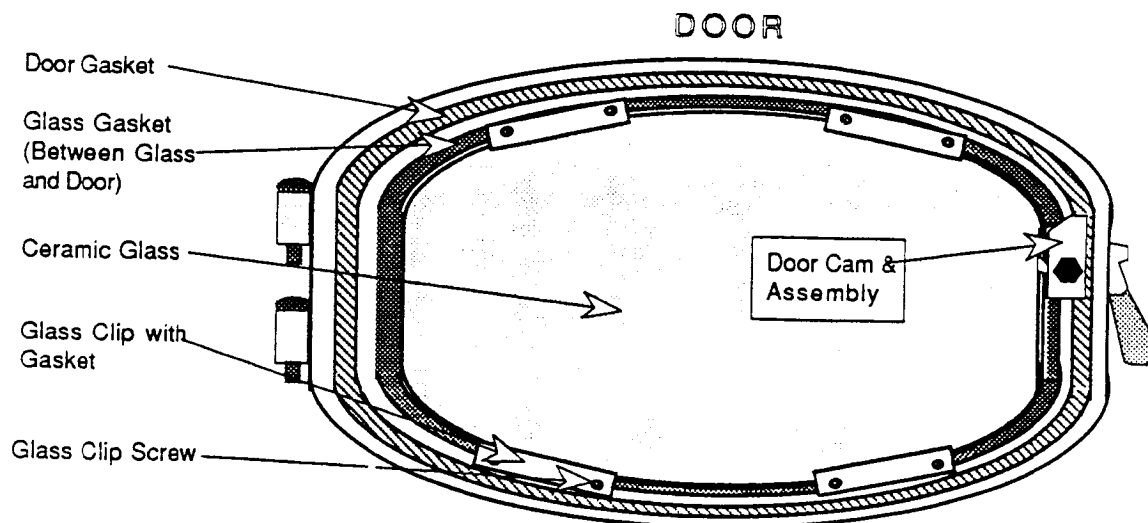
GLASS CLEANING

Clean the glass only when the appliance is cool, using a non-abrasive cleaner. If glass cracks or breaks, let the appliance cool before replacing it. **DO NOT OPERATE THE APPLIANCE WITH BROKEN OR MISSING GLASS. IF THE GLASS DOES BREAK, FOLLOW THE DIRECTIONS IN THE SECTION TITLED "REPLACEMENT PARTS AND REMOVAL INSTRUCTIONS" FOR REPLACING THE GLASS.**

CARE AND MAINTENANCE (Continued)

DOOR AND GLASS GASKET INSPECTION

A damaged or deteriorated glass or door gasket will allow air to enter the appliance through the space between the door and firebox. This will allow smoke to enter the room and hamper efficient burning. Inspect the door gasket to make sure it is flexible and completely intact. Any torn, broken, or flattened gaskets should be replaced by following the directions in the section titled "REPLACEMENT PARTS AND REMOVAL INSTRUCTIONS".



LUBRICATE THE DOOR HINGE AND CONTROLS

It is highly recommended that you periodically lubricate any moving parts such as the door hinges and combustion air control rod. This will eliminate any scraping or squeaking noises as well as allow the parts to move freely. A high temperature lubricant, such as Permatex Industrial (R) Anti-seize lubricant, is required. Graphite or low-temperature lubricants will only last a few days.

CHECK FOR CREOSOTE

Creosote is a tarry liquid or solid resulting from the distilling of wood during the combustion process. Using wet wood or burning at lower temperatures will result in a heavier creosote deposit. Creosote vapors will condense in a relatively cool chimney flue of a slow burning fire. As a result, creosote residue accumulates on the interior surface of the chimney and flue pipes, considerably reducing their diameter. When ignited, this creosote makes an extremely hot and dangerous fire. The chimney should be inspected at least once every 2 months during the heating season to determine if a creosote build-up of approximately 1/4" has accumulated. If this is the case, the creosote should be removed to reduce the risk of a chimney fire.

Most problems with creosote are due to poor chimneys with low draft and/or cold walls, and to a low rate of burn when little heat is needed during the spring and fall months. Burning green and resinous wood also creates creosote.

To prevent creosote accumulation

1. Burn your appliance with the combustion air control wide open for 20 to 30 minutes daily during the burning season. This will burn out creosote deposits in your appliance.

CARE AND MAINTENANCE (Continued)

CHECK FOR CREOSOTE (Continued)

2. Burn the appliance with the combustion air control wide open for about 20 minutes every time you add fresh wood. This allows the wood to achieve the charcoal stage faster and burns the wood vapors which might otherwise be deposited within the system.
3. Burn only seasoned, dry wood. Seasoned wood is wood that has been dried for at least one year.
4. A small, more intense fire is preferable to a large smoldering one that will deposit creosote within the system.
5. Establish a routine for using your new appliance. Be aware that the hotter the fire, the less creosote is deposited on the glass and chimney system. Weekly inspection and cleaning may be necessary during times of heavy appliance usage. Contact your local fire authority for information on how to handle a chimney fire. Have a clearly understood plan to handle such a fire.
6. We recommend you have your chimney system and appliance checked and cleaned by a competent chimney sweep twice a year.

FIREBOX INSPECTION AND CLEANING

At the end of each heating season, remove all of the ash inside the firebox and check for any scale that may have built up during the heating season. Remove any scale from the inside of the firebox with a wire brush or scraper. With a flashlight check to see that all of the firebrick lining the firebox is in good condition. If any of the firebrick is cracked or broken, follow the directions in the section titled "REPLACEMENT PARTS AND REMOVAL INSTRUCTIONS" for removal and replacement of any damaged firebrick.

APPLIANCE TOUCH-UP

The outside of the appliance can be touched up using high temperature "Forrest Stove-Brite" paint, available at your dealer. This will improve the looks of your appliance, but is not necessary. To touch up paint, first sand the area to be painted with 120 grit sandpaper, clean it with water only, and dry with a clean cloth. Paint using light covering coats. The newly painted area will appear darker until the paint goes through the curing process.

BLOWER CLEANING (If Applicable)

You should remove your blower from the appliance at least twice a year for cleaning. Dust will accumulate on the blower cover as well as the blower motor and impellers. These parts should be cleaned to insure adequate flow of air and minimize strain on the motor.

Refer to the directions for installing your blower in the section titled "FREESTANDING OPTIONAL EQUIPMENT" for freestanding models and "INSERT OPTIONAL EQUIPMENT" for insert models. Follow the directions in reverse order to remove the blower assembly. On freestanding models you need not remove the thermodisk. Brush away or vacuum all flyash that may have accumulated. Follow the directions for installing your blower to re-assemble.

BEFORE CALLING FOR SERVICE

SAVE TIME AND MONEY - CHECK THIS LIST BEFORE YOU CALL FOR SERVICE

To eliminate unnecessary service calls, first read all the instructions in this manual carefully. The following checklist provides possible solutions to common occurrences that are not the result of defective workmanship or materials in this appliance.

If you do have a problem that you cannot fix yourself, call the dealer where you purchased your appliance. When calling, have this manual handy with the model, serial number and purchase date of your appliance.

Problem	Possible Cause	Don't Call for Service Until You Check
Start-up fire extinguishes itself.	<ul style="list-style-type: none"> • Combustion air inlet blocked. • Combustion air control closed. 	<ul style="list-style-type: none"> • Combustion air inlet is not blocked. • Combustion air control is open.
Lazy orange smoky flame.	<ul style="list-style-type: none"> • Bad Fuel. • Restricted Flue. • Poor Draft. 	<ul style="list-style-type: none"> • Wood is dry & seasoned. • Chimney is clean & unrestricted. • Sufficient chimney length & correct size.
Smoke smell inside house.	<ul style="list-style-type: none"> • Restricted chimney or reverse flow (down draft). • Air leak from faulty door or glass gasket. • Door is out of adjustment. 	<ul style="list-style-type: none"> • Chimney is clean & unrestricted. • Chimney is not receiving a down draft due to wind or other obstruction. • Door and glass gasket are in good condition and sealing properly. • Door is aligned with the opening so the door gasket makes an airtight fit around the opening.
Appliance won't shut down.	<ul style="list-style-type: none"> • Air leak from faulty door or glass gasket. • Door is out of alignment. 	<ul style="list-style-type: none"> • Door and glass gasket are in good condition and sealing properly. • Door is aligned with the opening so the door gasket makes an airtight fit around the opening.

REPLACEMENT PARTS AND REMOVAL INSTRUCTIONS

Several components inside your appliance are serviceable by you. These components are usually easy to remove and replace without special tools. Before you attempt to carry out any of these steps, be sure to read through the entire section. To order new parts, use the chart below to order the appropriate part number through your dealer. Use only parts from your dealer made specifically for your appliance.

Replacement Parts

<u>Part Name</u>	<u>Part Number</u>	<u>Part Description</u>
Door Gasket	90-1514	7/8" Dia. Round Fiberglass
Glass Gasket	90-1494	3/8" Flat Fiberglass
Door Glass	91-1480	19 1/8" x 10 1/4"
Firebrick (note size)	90-4000	1 1/4" x 4 1/2" x 9"
Secondary Air Tube	90-5002	21 1/4" Long
Baffle Support Angle	90-5033	
Door Handle	90-2050	Wood
Air Control Handle	90-2054	Wood
Owner's Manual	92-3002	
Glass Clip with Gasket	92-1480	
Ceramic Blanket	90-5041	22 1/2" by 9 1/2"
Door Cam	90-2041	Cast Brass

Removal Instructions

The remaining text in this section details the items below. Make sure to follow the directions closely when performing any of the procedures. If re-assembly directions are not given with the instructions, re-assemble by following the directions in reverse order. All of these procedures can be done without special tools.

- Removing and Replacing the Glass
- Removing and Replacing the Glass Gasket
- Removing and Replacing the Door Gasket
- Removing and Replacing the Firebricks
- Removing and Replacing the Secondary Air Tube

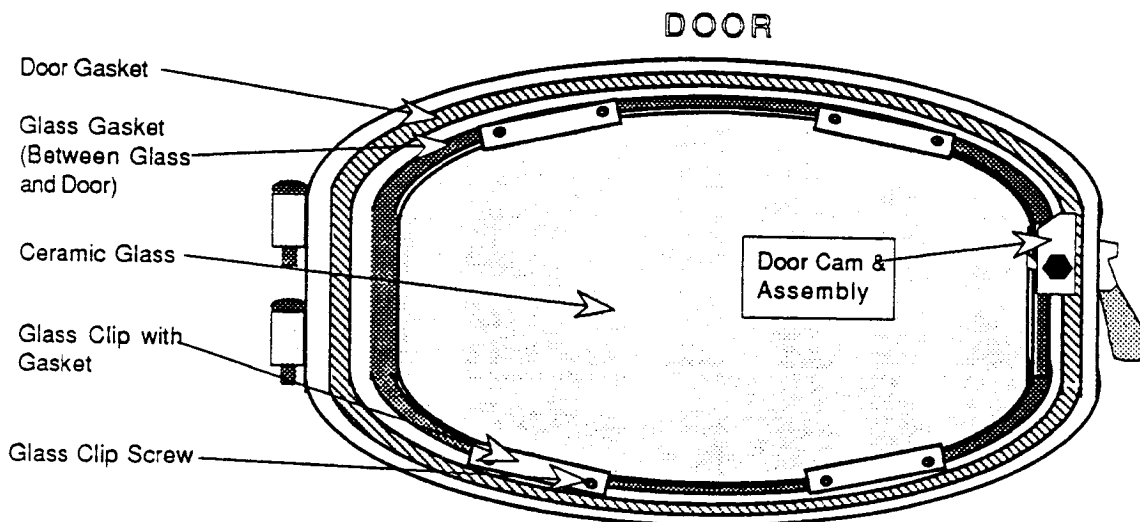
REPLACEMENT PARTS AND REMOVAL INSTRUCTIONS (Continued)

Removing and Replacing the Glass

DO NOT OPERATE THE APPLIANCE WITH BROKEN OR MISSING GLASS. IF THE GLASS DOES BREAK, FOLLOW THE DIRECTIONS BELOW FOR REPLACING THE GLASS.

To replace the glass, remove the glass clips on the back of the door by removing the screws. Replace only with Neoceram 5mm thick, available from your dealer.

The gasket must be placed in the groove provided in the door. Door gaskets to be used are 7/8" fiberglass weave. Glass gaskets to be used are 3/8" fiberglass weave. Glass clips must have 1/4" self-adhesive fiberglass gasket tape on them before tightening screws (the glass must not touch the door).



Removing and Replacing the Glass Gasket

A damaged or deteriorated glass gasket will allow air to enter the appliance through the space between the door and glass. This may cause smoke to enter the room and hamper efficient burning. To replace the glass gasket, follow the directions for removal of the glass and when re-installing, place the new gasket in place.

Removing and Replacing the Door Gasket

A damaged or deteriorated glass gasket will allow air to enter the appliance through the space between the door and firebox. This will allow smoke to enter the room and hamper efficient burning. The door gasket is held in place with special cement made to withstand extreme heat. To remove the gasket, carefully pull the gasket away from the door and scrape any excess cement off the door. To replace, use the manufacturer's gasket and cement (provided by your dealer) and re-attach the gasket, making sure it is aligned properly around the opening.

REPLACEMENT PARTS AND REMOVAL INSTRUCTIONS (Continued)

Removing and Replacing the Firebricks

The firebricks inside your wood-burning appliance assist in retaining heat and create more thorough combustion inside the firebox. Occasionally one of them may crack and require replacement. The directions below are divided into three sections, each section addressing either the baffle (top) firebricks, side and back firebricks, or floor (bottom) firebricks. Before any bricks are removed, make sure the appliance is cool and cleaned out. The chart below describes the number and size of bricks by placement.

# of Firebricks	Full Size (9" by 4 1/2" with a 1 1/4" thickness)	Cut Size (9" by 3 3/4" with a 1 1/4" thickness)	Cut Size (9" by 2 1/4" with a 1 1/4" thickness)
Floor (Bottom)	3	1	
Baffle (Top)	4		1
Side and Back	7	1	

REMOVING THE FLOOR (BOTTOM) FIREBRICKS

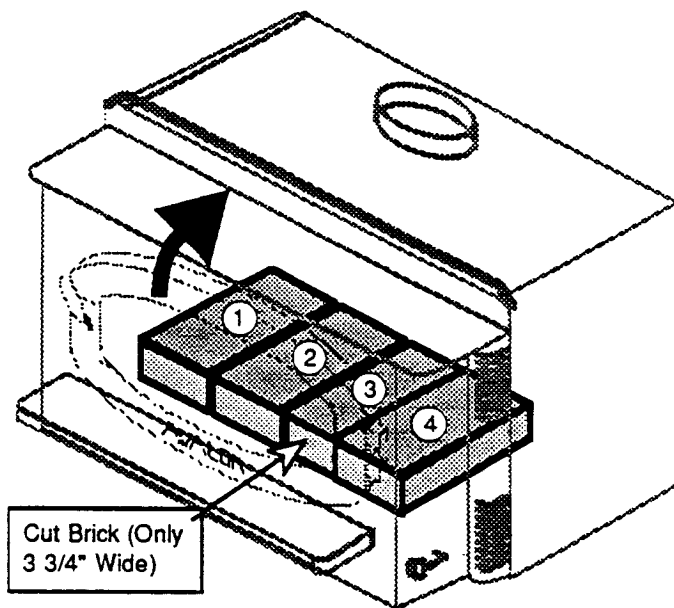
1. Make sure the appliance is cool and cleaned out.

2. Remove the door by opening it 90 degrees and pulling it upwards. Make sure to grasp the door by both ends. It is heavy and can be damaged.

3. Remove the left most firebrick by lifting its front top edge (see illustration to the right). Do not use any object to pry the firebrick, for this may cause the firebrick to chip or crack.

4. Remove the rest of the front bricks, one by one, following the order listed in the illustration to the right.

5. To replace the floor firebricks, follow these directions in reverse order, placing the bricks snug against the firebricks lining the side of the firebox.



REMOVING THE BAFFLE (TOP) FIREBRICKS AND COMPONENTS

1. Make sure the appliance is cool and cleaned out.

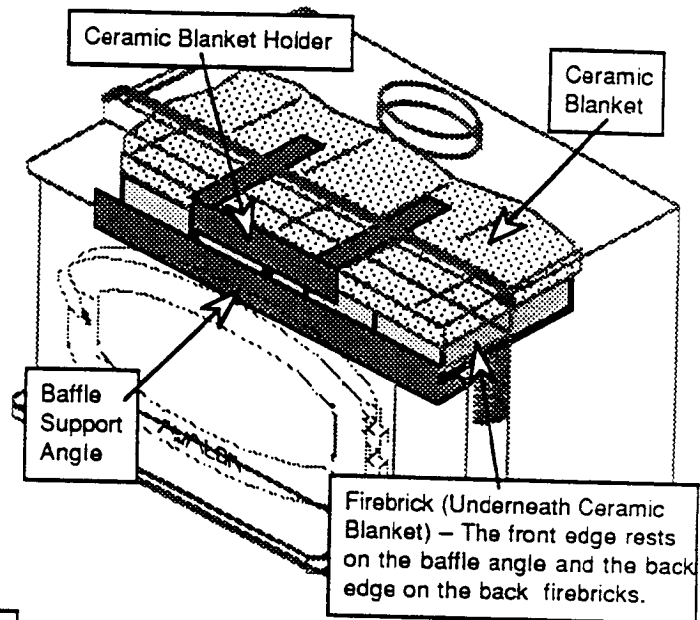
2. Remove the door by opening it 90 degrees and pulling it upwards. Make sure to grasp the door by both ends. It is heavy and can be damaged easily.

REPLACEMENT PARTS AND REMOVAL INSTRUCTIONS (Continued)

Removing and Replacing the Firebricks (Continued)

REMOVING THE BAFFLE (TOP) FIREBRICKS AND COMPONENTS (Continued)

3. Note the illustration to the right. The baffle firebricks can only be accessed after the ceramic blanket and holder have been removed.
4. Remove the ceramic blanket holder by reaching into the space between the door and baffle angle, grasping the holder and pulling it forward and rotating it down. See the illustration below.
5. Remove the ceramic blanket by pulling it out between the baffle and door. It can be easily torn, so use both hands and an even pulling action.

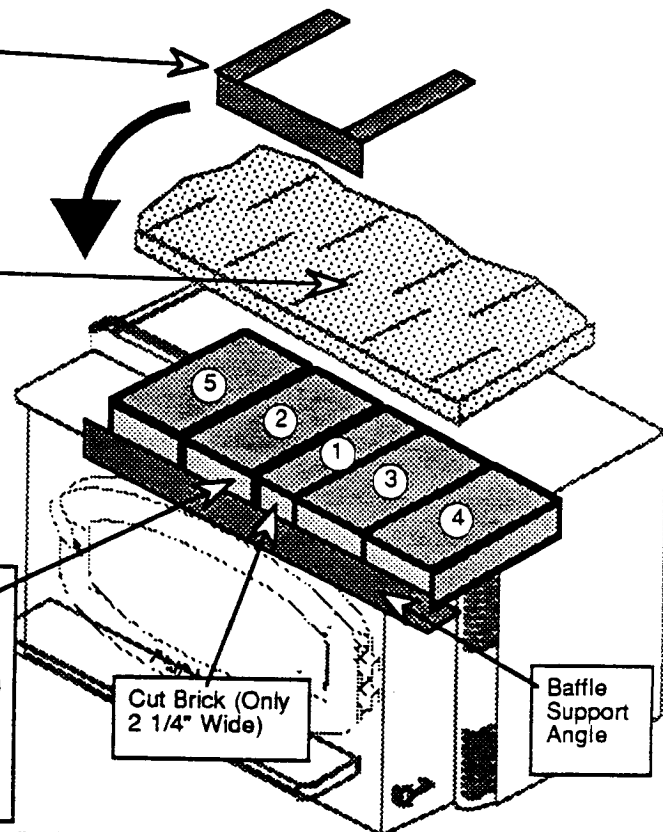


6. Remove each of the baffle firebricks in the order listed on the illustration to the right. Each firebrick is removed by pushing it from the bottom and rotating it down. If the baffle support angle needs to be removed, use a hammer to knock the baffle support angle upwards and away from the ledge that holds it in place.

Remove the ceramic blanket holder by pulling it forward and rotating it downwards and out the door.

Remove the ceramic blanket by CAREFULLY pulling it out of the slot between the baffle and the door. Use both hands and an even pulling action to prevent tearing.

Remove each of the baffle firebricks in the order listed here. Push each firebrick from below so the front comes off of the baffle. Then slide it towards the front of the appliance and rotate it down and out of the appliance.



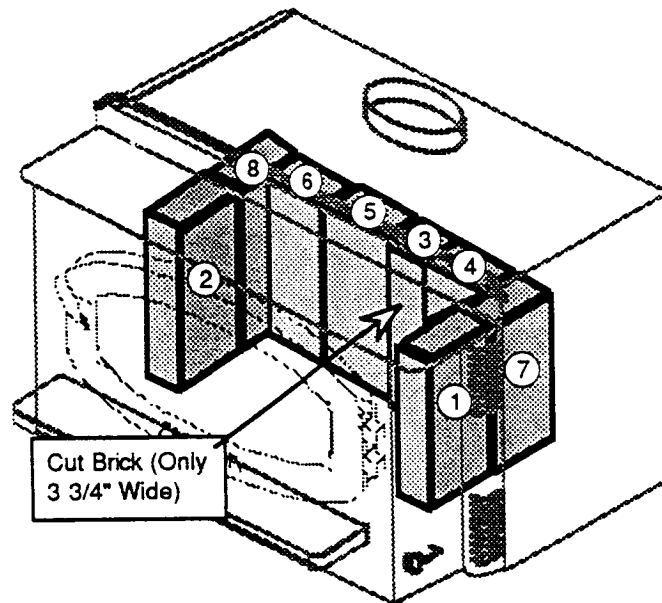
7. To re-assemble the baffle firebricks, the side firebricks must be in place and properly located. The back edge of the top firebricks rest on the back firebricks that are located along the rear wall of the firebox. When inserting the ceramic blanket, make sure it lines up and is flat before installing the ceramic blanket holder.

REPLACEMENT PARTS AND REMOVAL INSTRUCTIONS (Continued)

Removing and Replacing the Firebricks (Continued)

REMOVING THE SIDE AND BACK FIREBRICKS

1. Make sure the appliance is cool and cleaned out.
2. Remove the door by opening it 90 degrees and pulling it upwards. Make sure to grasp the door by both ends. It is heavy and can be damaged easily.
3. Follow the directions for removing all of the floor and baffle firebricks. The rear edge of the baffle firebricks rest on the back firebricks that are at the rear of the firebox, making removal of the baffle firebricks necessary.
4. Note the illustration below. The side and back firebricks that are closest to the front should be removed first. Remove the firebricks in the order listed in the illustration.
5. When re-installing the side and back firebricks, make sure to push the firebricks all the way against the walls of the firebox. This will minimize any movement of the firebricks and reduce chipping.



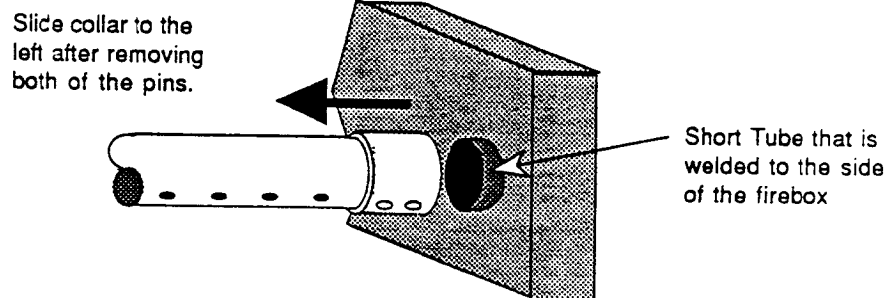
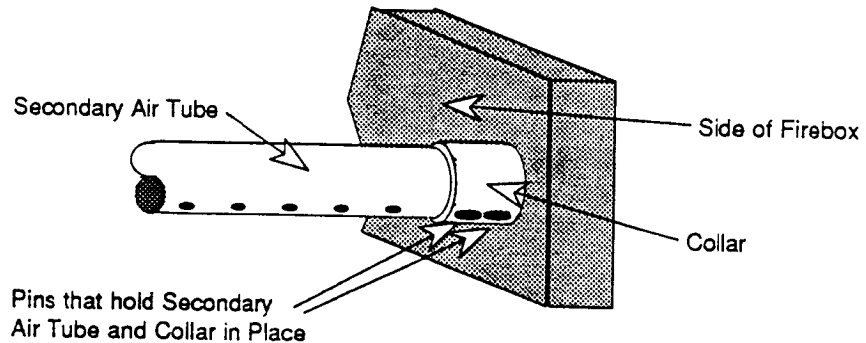
REPLACEMENT PARTS AND REMOVAL INSTRUCTIONS (Continued)

Removing and Replacing the Secondary Air Tube

The secondary air tube is a tube with holes in it that runs along the top of the firebox near the front.

The secondary air tube is a tube with holes in it that runs along the top of the firebox near the front. Over time it may wear and become ineffective. The secondary air tube should be replaced if it cracks or shows severe deterioration, because it supplies air into the firebox that allows for a more efficient fire. The parts needed to replace the secondary air tube are available from your dealer.

To remove the secondary air tube, first remove the two pins located on the right side of the firebox that hold the tube in place. These pins are removed by using a screwdriver or needle-nose pliers to pry them out of their holes. The pins are held in place by flanges on the pins that expand once they are pushed into the hole. Therefore, you may have to pry with some amount of force when trying to remove them.



One pin holds the secondary air tube to a collar while the other pin holds the collar to a short tube welded to the side of the firebox. Once both pins are removed, the collar can be slid to the left and the secondary air tube and collar can be pulled down and away from the left side. To replace the secondary air tube, place the collar on the secondary air tube, insert the secondary air tube into the hole on the left side of the firebox, and slide the collar over to the right so it slides over the short tube that is welded to the right side of the firebox. Then line up the secondary air tube and collar so the holes for the pins line up and insert both new pins that are included with the replacement air tube kit.

5-YEAR WARRANTY

TRAVIS INDUSTRIES, INC. warrants the AVALON 796 appliance to be defect-free in material and workmanship for five (5) years from the date of purchase, with the exception of the glass, paint, refractory, removable baffle parts and blowers. The blowers and removable baffle parts are warranted for one (1) year from the date of purchase to be defect - free in material and workmanship. The glass, paint and refractory are not warranted.

Exclusions to this limited warranty include: Injury, malfunction to the product, loss, damage, defect, failure to function due to accident, negligence, misuse, improper installation, alteration or adjustment of the manufacturer's settings of components, lack of proper and regular maintenance, damage incurred while the appliance is in transit, alteration, or act of God.

This limited warranty excludes damage caused by normal wear and tear, such as paint discoloration or chipping, worn or torn gasketing, eroded or cracked refractory, etc. Also excluded is damage to the appliance caused by abuse, improper installation, the use of fuel or fuel loads other than specified by the manufacturer or use not set forth in the Owner's Manual. An over-fired condition will cause warped metal parts and discolored or burned-off paint.

TRAVIS INDUSTRIES, INC. is free of liability for any damages caused by the appliance, as well as inconvenience expenses, material and labor charges incurred by the removal or reinstallation of any AVALON appliance. Incidental or consequential damages are not covered by this warranty. In some states, the exclusion of incidental or consequential damage may not apply.

This warranty does not cover any loss or damage incurred by the use or removal of any component or apparatus to or from the AVALON appliance without the express written permission of TRAVIS INDUSTRIES, INC. and bearing a TRAVIS INDUSTRIES, INC. label of approval.

Any statement or representation of AVALON products and their performance contained in AVALON advertising, packaging literature, or printed material is not part of this limited warranty.

This warranty is automatically voided if the appliance's serial number has been removed or altered in any way.

Only the original purchaser of an AVALON appliance is covered by this warranty. If the appliance is used for commercial purposes, it is excluded from this warranty.

No dealer, distributor, or similar person has the authority to represent or warrant AVALON products beyond the terms contained within this warranty. TRAVIS INDUSTRIES, INC. assumes no liability for such warranties or representations.

THIS LIMITED WARRANTY IS THE ONLY WARRANTY SUPPLIED BY TRAVIS INDUSTRIES, INC., THE MANUFACTURER OF THE APPLIANCES. ALL OTHER WARRANTIES, WHETHER EXPRESS OR IMPLIED, ARE HEREBY EXPRESSLY DISCLAIMED AND PURCHASER'S RECOURSE IS EXPRESSLY LIMITED TO THE WARRANTIES SET FORTH HEREIN.

This warranty is limited to the time frame set forth above. In some states, time limitations on warranties do not apply.

HOW TO USE YOUR TRAVIS INDUSTRIES, INC. FIVE-YEAR WARRANTY: If you find your appliance to be defective in workmanship or material within a 5-year period from the date of purchase contact your local authorized AVALON dealer. If your dealer is unable to repair your appliance's defect, you may process a warranty claim through TRAVIS INDUSTRIES, INC., including the name of the dealership where you purchased the appliance, a copy of your receipt showing the date of the appliance's purchase, and the serial number on your appliance. At that time, you will be asked to ship your appliance, freight charges prepaid, to TRAVIS INDUSTRIES, INC. TRAVIS INDUSTRIES, INC., at its option, will repair or replace, free of charge, your AVALON appliance if it is found to be defective in material or workmanship within the time frame stated within this limited warranty. In addition, TRAVIS INDUSTRIES, INC. will refurbish your appliance at no charge to you, restoring its appearance and condition. TRAVIS INDUSTRIES, INC. will ship your appliance, freight charges prepaid by TRAVIS INDUSTRIES, INC., to your regional distributor, or dealership.

To register your TRAVIS INDUSTRIES, INC. Five-Year Warranty, complete the enclosed warranty card and mail it within ten (10) days of the appliance purchase date to: TRAVIS INDUSTRIES, INC., 10850 117th Place N.E., Kirkland, WA 98033.

OTHER RIGHTS:

This warranty provides you with certain legal rights. You may have additional rights, which vary from state to state, in regards to this warranty.

APPLIANCE SERIAL NUMBER _____
DATE OF PURCHASE _____
DEALER NAME AND ADDRESS _____

**Complete
and save
for your
records**

Travis Industries, Inc. reserves the right to change, without notice, product features or specifications described.

SAFETY LABEL

The following is a safety label that is attached to your appliance for installation purposes. It is included here in case it is removed or becomes unreadable.

DO NOT REMOVE THIS LABEL

Worcester Hersey Listed Solid Fuel Burning Appliance Serial Number [REDACTED]

Suitable for use in conventional residential installations, mobile homes, alcoves and as a masonry fireplace insert or hearth mount stove.

NER-GA219.TL-116

AVALON WOODSTOVES™

Model: **796 45° Flue** **796 Top Flue**

Tested to: UL-1482/UL-907-737 Report No. 5305 (May 1991)

PREVENT HOUSE FIRES - Install and use only in accordance with the manufacturer's installation and operating instructions. Contact your local building or fire officials about restrictions and installation inspection in your area. Refer to local building codes and manufacturer's instructions for precautions required for passing a chimney through a combustible wall or ceiling. Do not run a chimney connector through a combustible wall or ceiling. Do not connect this unit to a chimney flue serving another appliance. Use a minimum 24 MSG black or 26 MSG blued steel chimney connector, connected to a lined masonry chimney, or a factory-built chimney suitable for use with solid fuels. Minimum clearance between horizontal chimney connector and combustible materials - 18 in. Clearances may be reduced by methods specified in NFPA 211, listed wall shields, pipe shields, or other means approved by local building or fire officials.

WARNING - MOBILE HOME - An outside air inlet must be provided for combustion air, and be unobstructed while in use. Do not install appliance in a sleeping room. The structural integrity of the mobile home floor, walls and ceiling/roof must be maintained.

	Model 796 45° Flue Singlewall connector Conventional residential installation	Model 796 45° Flue Alcove, Mobile home, and reduced clearance conventional residential installation	Model 796 Top Flue Singlewall connector Conventional residential installation	Model 796 Top Flue Alcove, Mobile home, and reduced clearance conventional residential installation
A. Side wall to Unit	10.0 in.	11.0 in.	10.0 in.	11.0 in.
B. Back wall to Unit	9.5 in.	11.0 in.	16.5 in.	8.5 in.
C. Corner to Unit	9.5 in.	7.5 in.	9.5 in.	7.5 in.
D. Side wall to Connector	19.0 in.	18.5 in.	19.0 in.	19.5 in.
E. Back wall to Connector	17.5 in.	9.0 in.	17.5 in.	9.0 in.
F. Corner to Connector	16.0 in.	11.0 in.	17.5 in.	15.0 in.

Freestanding Clearance Diagram

Alcove Specifications

Max. Alcove Depth 48 in.
Min. Alcove Height 84 in.
Min. Alcove Width 46 in.

Floor Protection Diagram

Floor protection must be a non-combustible material extending beneath the heater and to the front, sides and back as indicated. See Owner's Manual for examples of non-combustible materials that can be used.

COMPONENTS REQUIRED FOR MOBILE HOME, ALCOVE AND REDUCED CLEARANCE CONVENTIONAL RESIDENTIAL INSTALLATION: One of the following listed chimney connectors and compatible chimney systems:

DURA-VENT model DVL connector with DURA-RUS chimney
SECURITY model DP connector with SECURITY model ASHT or S2100 chimney
SELKIRK METALBESTOS model DS connector with model SSJ chimney
CLIVER MACLEOD PROVENT model PV connector with model 31103 chimney
AMERB TECH model DCC connector with model HS chimney
CON-JAMES EVANS SUPROPIPE 2100
METALFAB model DWS connector with model TG chimney

	Model 796 45° Flue	Model 796 Top Flue
K. Mantle with Mantle Shield	22.0 in.	22.0 in.
L. Top Facing with Shield	16.5 in.	16.5 in.
M. Adjacent Sidelwall	20.0 in.	20.0 in.
N. Side Facing	14.5 in.	14.5 in.
	10.0 in.	10.0 in.
	9.0 in.	9.0 in.

Insert Clearance Diagram

Front 18.0 in.
Side 8.0 in.

COMPONENTS REQUIRED FOR MASONRY FIREPLACE INSTALLATION: Surround Panels. Combustible floor beyond hearth must be protected by a minimum 0.25 inches thick insulating board, having a thermal conductivity of K=0.72 BTUs in/ft-hr °F at 800°F, or equivalent. (See Owner's Manual for examples) Direct flue connection is optional. Do not remove bricks or mortar from masonry fireplace.

Note: Replace glass with 5mm neoceramic or ceramic glass only.
For use with solid wood fuels only. Operate only with feed door closed - open to feed fire only. Do not use a grate or elevate fire - build fire directly on the hearth.

Manufactured By: **Travis Industries, Inc.**
10850 117th Pl. N.E. Kirkland, WA 98033

U.S. ENVIRONMENTAL PROTECTION AGENCY
Certified to comply with July 1990 particulate emission standards.

Date of Manufacture
1992 1993 1994 Jan. Feb. Mar. Apr. May June July Aug. Sept. Oct. Nov. Dec.

DO NOT REMOVE THIS LABEL Made in U.S.A.