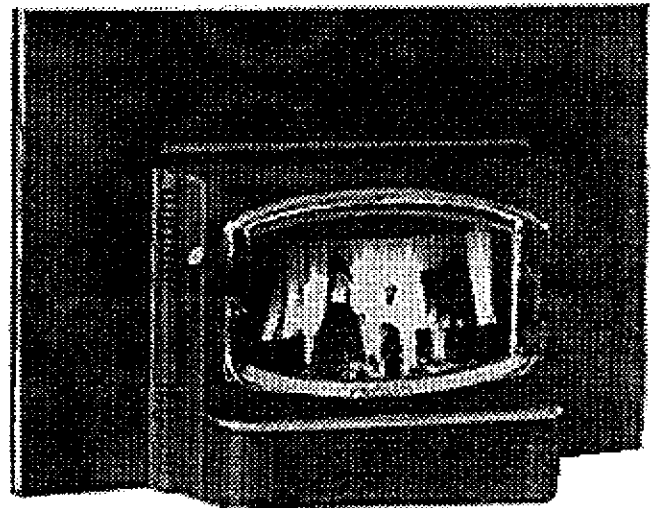
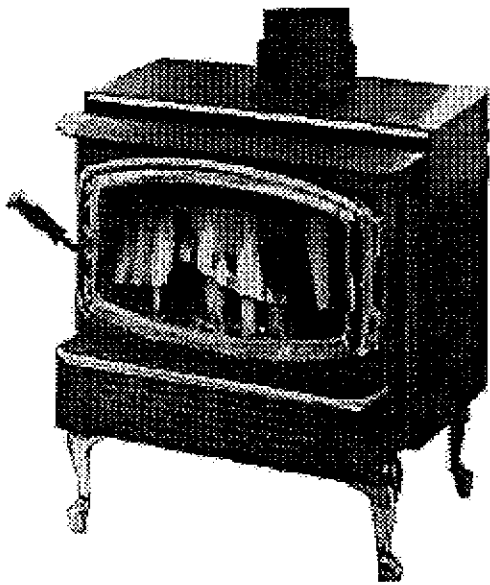


13001
AVALLON™

700 NG

Natural Gas Room Heater

Owner's Manual - October, 1993



- Freestanding Stove
- Masonry Fireplace Insert
- Factory-Built (Z.C.) Fireplace Insert

Warnock Hersey



Listed

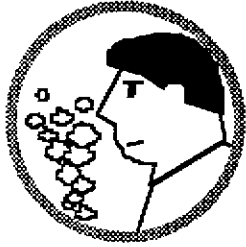
WARNING: If the information in this manual is not followed exactly, a fire or explosion may result causing property damage, personal injury or loss of life.

- Do not store or use gasoline or other flammable vapors and liquids in the vicinity of this or any other appliance.
- **WHAT TO DO IF YOU SMELL GAS**
 - Do not try to light any appliance.
 - Do not touch any electrical switch; do not use any phone in your building.
 - Immediately call gas supplier from a neighbor's phone. Follow the gas supplier's instructions.
 - If you cannot reach your gas supplier, call the fire department.
- Installation and service must be performed by a qualified installer, service agency or the gas supplier.



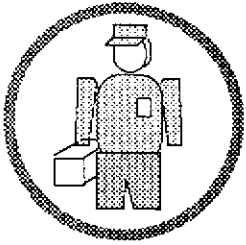
Travis Industries, Inc.

10850 117th Place N.E. Kirkland, WA 98033

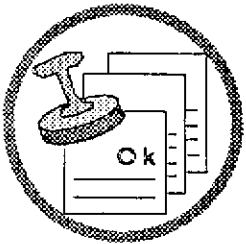


IF YOU SMELL GAS:

- * Do not light any appliance
- * Extinguish any open flame
- * Do not touch any electrical switch or plug or unplug anything
- * Open windows and vacate building
- * Call gas supplier from neighbor's house, if not reached, call fire department



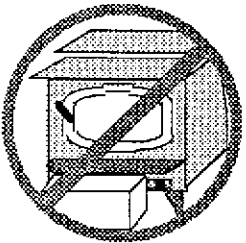
- This unit must be properly installed by a qualified installer to prevent the possibility of an explosion. Your dealer will know the requirements in your area and can inform you of those people considered qualified.
- The instructions in this manual must be strictly adhered to. Do not use makeshift methods or compromise in the installation.
- Improper installation will void the warranty and safety listing.



- Contact your local building officials to obtain a permit and information on any installation restrictions or inspection requirements in your area. Notify your insurance company of this heater as well.



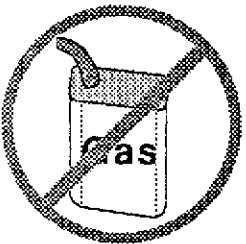
- This heater is designed and approved for natural gas only. Propane or any other type of fuel burned in this heater will void the warranty and safety listing.



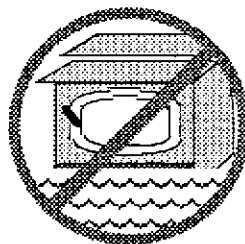
- Do not block any of control compartments, screens, or circulating air passageways. These areas provide the air necessary for safe operation.



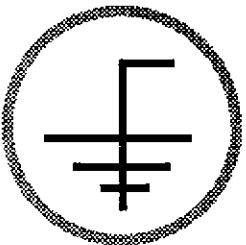
- Do not operate the heater if it is not operating properly in any fashion or if you are uncertain. Call your dealer for a full explanation of your heater and what to expect.



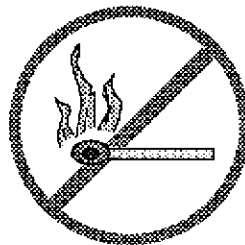
- Do not store or use gasoline or other flammable liquids in the vicinity of this heater.



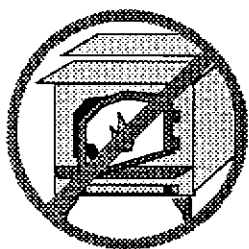
- Do not operate if any portion of the heater was submerged in water or if any corrosion occurs.



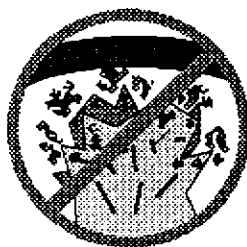
- The room air convection blower requires a 115 V. grounded electrical outlet. Do not use an adapter plug or remove the grounding plug. Do not route the electrical cord in front of or over the heater (or under the heater when installed as an insert).



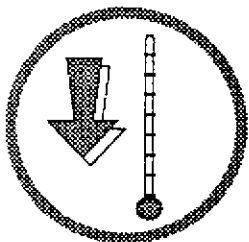
- Light the heater using the built-in piezo igniter. Do not use matches or any other external device to light your heater.



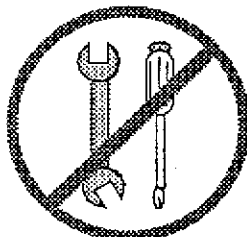
- The viewing door should be opened for service only (see the maintenance section of this manual).



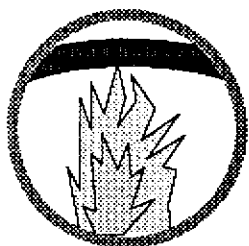
- If the flame becomes sooty, dark orange in color, or extremely tall, do not operate the heater. Call your dealer and arrange for proper servicing



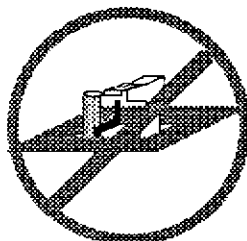
- Never block free airflow through the surfaces of this unit - this will cause improper operation
- Allow the heater to cool before carrying out any maintenance or cleaning.



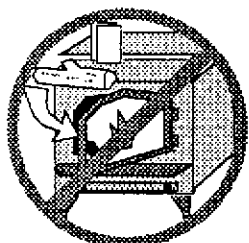
- Never try to repair or replace any part of the heater unless instructions are given in this manual. All other work should be done by a trained technician. Do not operate with any component removed.



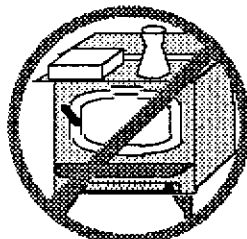
- Operate the heater according to the instructions included in this manual.
- If the main burners do not start correctly turn the gas off at the gas control valve and call your dealer for service.



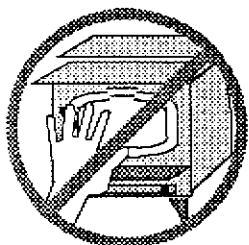
- Do not operate the heater if the pilot flame does not light—turn off the heater and call your dealer for service (see the operating instructions in this manual for lighting the pilot light if the pilot goes out).



- Do not place anything inside the firebox (except the included fiber logs).
- If the fiber logs become damaged, replace with Travis Industries fiber logs.



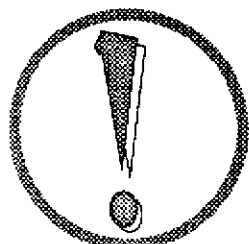
- Do not place any combustible items on top of the heater. Because this heater can be controlled by a thermostat there is a possibility of the heater turning on and igniting any items placed on top of it.



- Do not touch the heater while it is hot and educate all children of the danger of a high-temperature heater. Young children should be supervised when they are in the same room as the heater.



- Do not throw this manual away. This manual has important operating and maintenance instructions that you will need at a later time. Always follow the instructions in this manual.



- **Travis Industries, Inc. grants no warranty, implied or stated, for the installation or maintenance of your heater, and assumes no responsibility of any consequential damage(s).**

General Information

Introduction & Important Information	1
Safety Precautions	2
Features & Specifications	5

Stove Installation

Heater Placement	6
Floor Protection	7
Vent Requirements	7
Gas Line Install	8
Finalizing the Installation	9

Insert Installation

Heater Placement	10
Fireplace Sizing	11
Floor Protection	11
Vent Requirements	11
Gas Line Install	12
Finalizing the Installation	13

Operating Your Heater

Reviewing the Installation	14
Before You Begin	15
Location of Controls	15
Starting The Pilot	16
Running Your Heater	17
Starting the Heater for the First Time	17
Turning the Heater On and Off	18
Adjusting the Flame Height	19
Adjusting the Blower Speed	19
Normal Operating Sounds	19

Maintaining Your Heater

Inspecting the Firebox	20
Installing the Logs, Ember Strip, and Refractory	21
Inspecting the Door	22
Replacing the Door Gasket	23
Replacing the Glass or Glass Gasket	23

Troubleshooting

Troubleshooting Table	24
How this Heater Works	25
What Turns the Main Burners On and Off	25
Why Nothing Should Be Placed Against the Heater	25
What Prevents Gas Buildup	26
Electrical Diagram	27
Replacement Parts	27

Warranty

Warranty	28
----------------	----

Listing Information

Listing Information	29
---------------------------	----

Optional Equipment

Legs	30
Pedestal	30
Surround Panels	31
Optional Remote Control	32
Optional Thermostat	33

<p><u>Installation Options:</u></p> <ul style="list-style-type: none"> • Freestanding • Freestanding in an Alcove • Masonry Fireplace Insert • Factory-Built (Z.C.) Fireplace Insert 	<p><u>Features:</u></p> <ul style="list-style-type: none"> • Works During Power Outages (utilizes millivolt system) • High Efficiency (80% Steady State) • Optional Thermostat or Remote Control • Realistic "Wood Fire" Look • Convenient Operating Controls • Variable-Rate Heat Output • Quiet Blower for Effective Heat Distribution • Low Maintenance
---	---

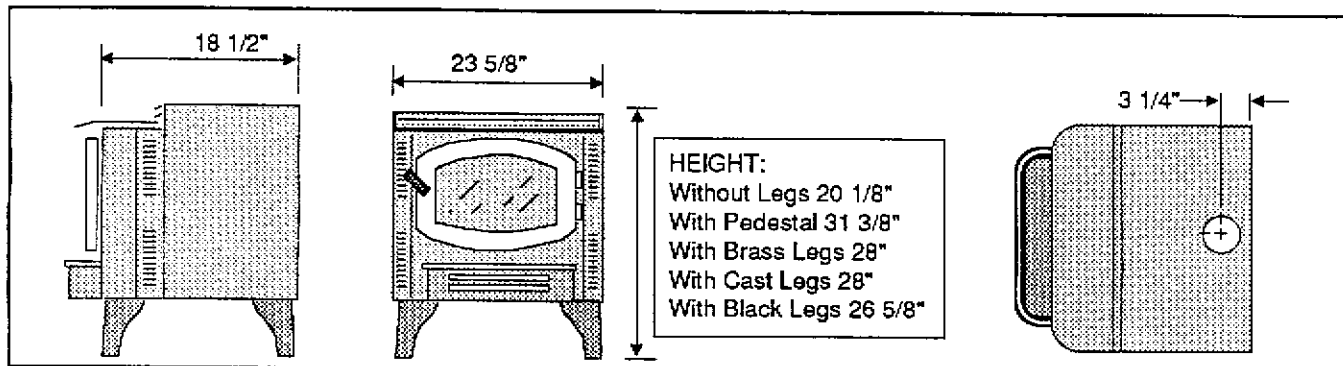
Heating Specifications:

	700 NG Stove	700 NG Insert
Approximate Maximum Heating Capacity (in square feet)*	600 - 1600	600 - 1600
High Burn Input Rate (In Natural Gas BTU's)**	31,000	31,000
Low Burn Input Rate (In Natural Gas BTU's)**	19,000	19,000

* Heating capacity will vary depending on the home's floor plan, degree of insulation, and the outside temperature. It is also affected by the natural gas BTU rating.

** The input rates are rated in Natural Gas BTU's which are equivalent to 1000 BTU's per cubic feet. To measure actual BTU's of the heater, multiply the BTU input by the efficiency percentage (80%).

700 NG Dimensions



Flue Opening Diameter = 4" (Both)

Weight = 165 Pounds

Electrical Specifications:

Blower Electrical Rating:..... 115 Volts, 1.3 Amps, 60 Hz

Fuel:

The heater is designed for natural gas only.

Emissions:

This unit has passed the ANSI emission standards for vented room heaters as tested by Warnock Hersey, LTD.

This appliance must be installed in accordance with all local codes, if any; if not, follow ANSI Z223.1 and the requirements listed in this manual. Failure to follow all of the requirements may result in property damage, bodily injury, or even death.

Check with local building officials for any permits required for installation of this gas heater and notify your insurance company before hooking up this heater. The requirements listed below are divided into sections. All requirements must be met simultaneously. The order of installation is not rigid – the qualified installer should follow the procedure best suited for the installation.

Heater Placement

The heater must be placed so the following requirements are met:

- Stove must be placed so that no combustibles are within, or can swing within (e.g. drapes, doors), 36" of the front of the heater
- The stove must be placed on a set of Travis Industries legs or pedestal
- When placed in a location where the floor to ceiling height is under 7 feet, the installation is considered an alcove and must meet the following requirements:
 - The alcove floor to ceiling height must be at least 58" tall
 - The alcove must not be more than 48" deep (before the ceiling returns to 7 feet)
- Heater and floor protection must be installed on a level, secure floor
- The stove must not be placed so the vents below the ashlip, above the door, along the sides of stove, or along the back of the heater can become blocked

STRAIGHT INSTALLATION (see the illustration below)

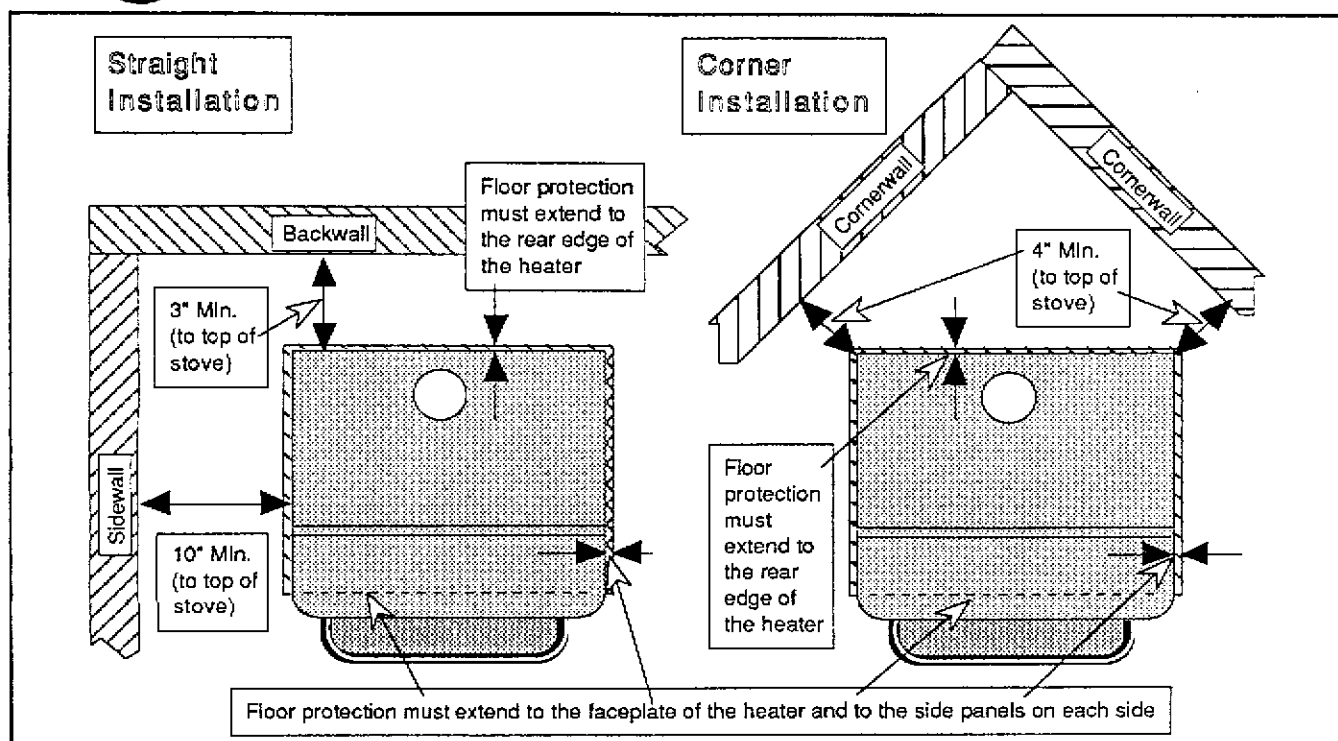
- 10" clearance from the top of the heater to the sidewall
- 3" clearance from the top of the heater to the backwall

CORNER INSTALLATION (see the illustration below)

- 4" clearance from the rear top corner of heater to the cornerwall (at a 45° angle)



HINT: REDUCING CLEARANCES - Clearances may be reduced by methods specified in NFPA 211, listed wall shields, pipe shields, or other means approved by local building or fire officials.



Floor Protection

The heater must be installed over floor protection that meets the following requirements:

- Made of a non-combustible material at least .018" thick (26 gauge)
- Must cover the area underneath the heater from the faceplate to the rear edge, extending to the side as far as the side panels (18 1/2" deep by 23 5/8" wide – see the illustration on the preceding page).

Vent Requirements

The vent must be installed in accordance with all local codes, if any; if not, follow ANSI 223.1 and the requirements listed below. Furthermore, the vent must be installed to meet the installation requirements of the vent manufacturer.

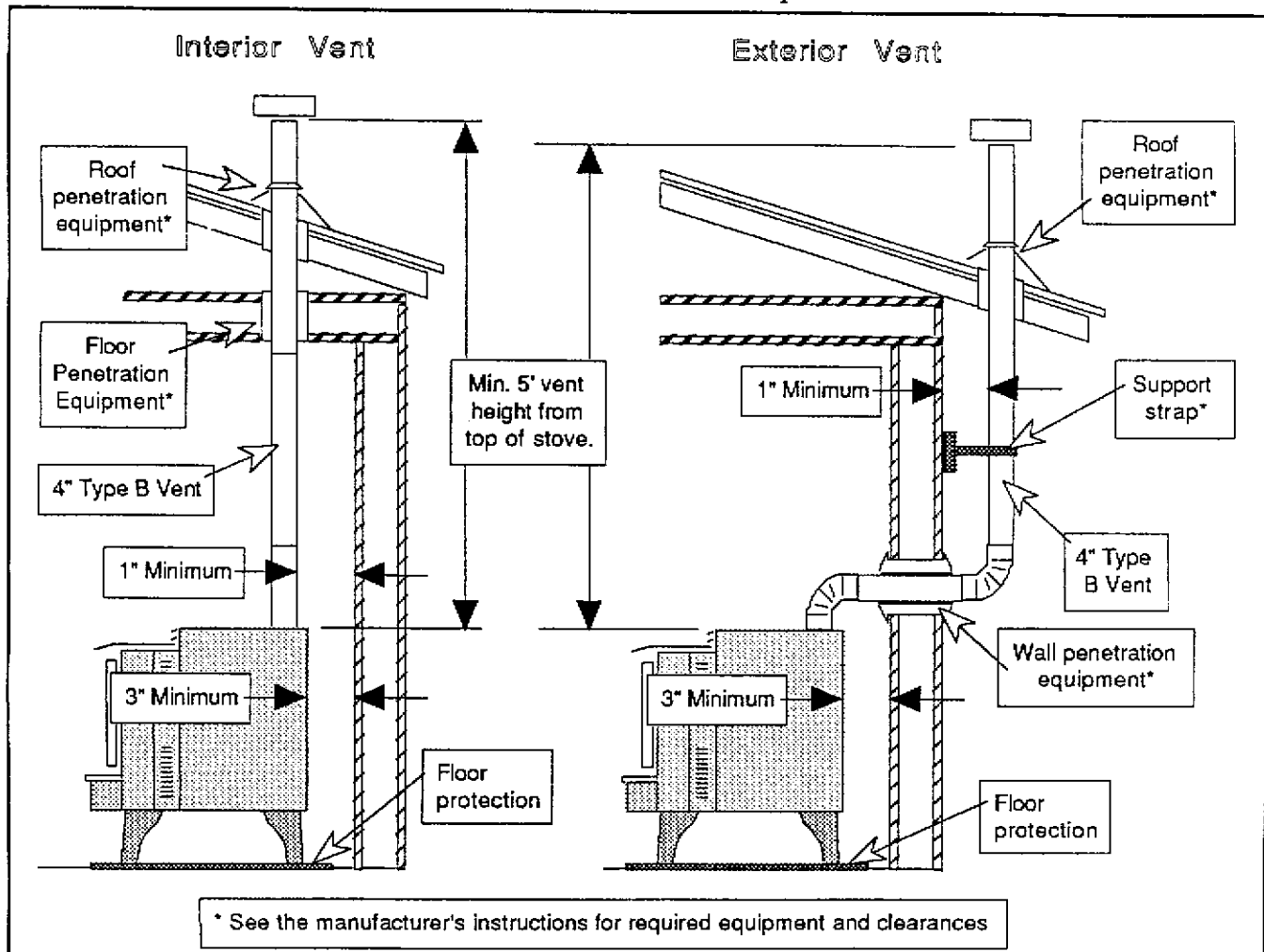


HINT:

Call your local building official to obtain the building code that is used in your area. Most building codes follow the requirements specified in ANSI Z223.1 (to obtain a copy call 212 642-4900).

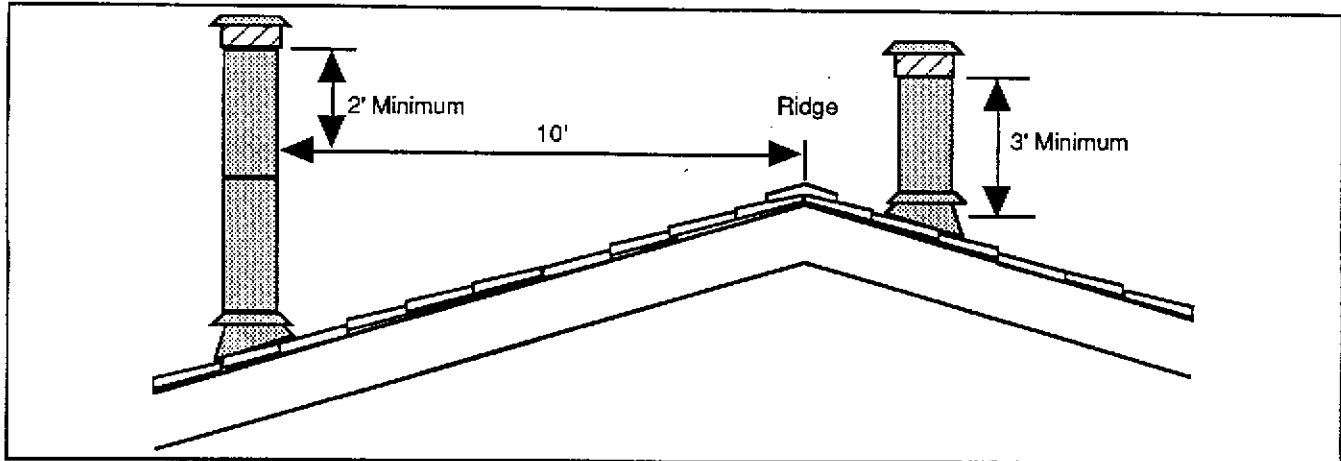
This heater must be installed with a vent that meets the following requirements:

- Minimum of 5' vertical rise from top of stove
- 4" diameter B vent for entire system from one manufacturer (don't mix brands)
- The flue must not service another appliance
- 1" clearance to all combustibles must be maintained
- Must meet all of the vent manufacturer's requirements



The vent termination must meet the following requirements:

- Must have an approved cap (to prevent water from entering)
- If the termination is located on a windy side of the house, an approved house shield is recommended to prevent soot from building up on the side of the house
- Must not be located where it will become plugged by snow or other material
- Must not be located below eaves or overhangs
- Must be a minimum of 2' above the roof - **OR** - 3' above any portion of the roof that is within 10' of the flue, whichever is greater (see the illustration below)

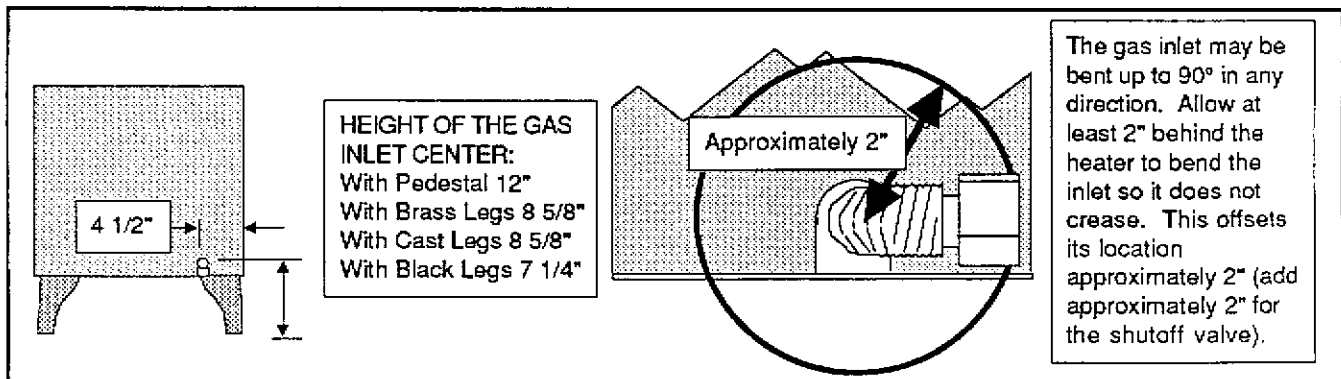


Gas Line Install

The gas line must be installed in accordance with all local codes, if any; if not, follow ANSI 223.1 and the requirements listed below.

Gas Line Connection Considerations:

- The flexible stainless steel flexible tubing from the heater has a fitting for 1/2" piping.
- The shutoff valve is located directly upstream of the flexible inlet. If it is removed it must be replaced with a different shutoff valve. Certain codes require this valve be accessible. Make this valve accessible if this is the case.
- The location of the inlet is shown below, along with the allowable bend.



Gas Line Connection Considerations (Continued):

- The gas line diameter running to the heater must be an adequate size for the distance it runs from the supply regulator. The chart below describes the necessary inside diameter.

Pipe Length (Feet)	Schedule 40 Pipe Inside Dia.	Tubing, Type L Outside Dia.
0 to 10	1/2" (1.3 cm)	1/2" (1.3 cm)
10 to 40	1/2" (1.3 cm)	5/8" (1.6 cm)
40 to 100	1/2" (1.3 cm)	3/4" (2.0 cm)
100 to 150	3/4" (2.0 cm)	7/8" (2.3 cm)
150 to 200	3/4" (2.0 cm)	7/8" (2.3 cm)

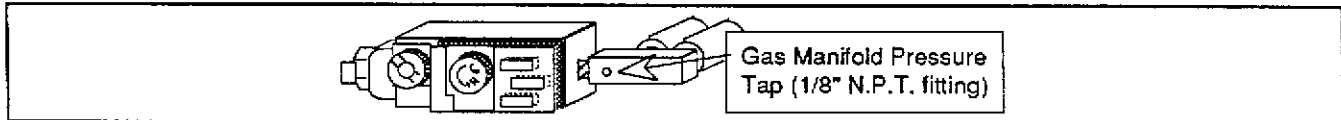
Gas Pressure:

- This heater was designed for 7" of water column pressure (1.75 kPA). The minimum allowable pressure is 5.5" of water column (1.37 kPA). If the pressure is not sufficient, make sure the piping used is large enough, the supply regulator is adequately adjusted, and that the total gas load for the entire residence does not exceed the amount supplied. The gas inlet to the heater must not exceed 10.5" of water column (2.6 kPA). The supply regulator (the regulator that attaches directly to the residence inlet) typically supplies gas at 7" of water column (1.75 kPA), which would eliminate over-pressurization.

Manifold Pressure:

The heater has a 1/8" N.P.T. tap located directly on the manifold. This allows the installer to check the pressure of the gas downstream of the valve. The pressure should be:

- 3.5" (.87 kPA) water column with the flame height turned to high.
- 1.0" (.25 kPA) water column with the flame height turned to low.



If the manifold pressure is not correct, check the inlet gas pressure and correct the problem before finishing the installation.

Finalizing the Installation

All optional equipment should be installed and the ceramic logs placed inside the firebox (see the optional equipment instructions included with this manual and the section "Replacing the Logs" found in the maintenance section of this manual). Then the heater should be started and checked for proper performance. The installer should review the operations portion of this manual to make sure the owner understands the operation of the heater.

This appliance must be installed in accordance with all local codes, if any; if not, follow ANSI Z223.1 and the requirements listed in this manual. Failure to follow all of the requirements may result in property damage, bodily injury, or even death.

Check with local building officials for any permits required for installation of this gas heater and notify your insurance company before hooking up this heater. The requirements listed below are divided into sections. All requirements must be met simultaneously. The order of installation is not rigid – the qualified installer should follow the procedure best suited for the installation.

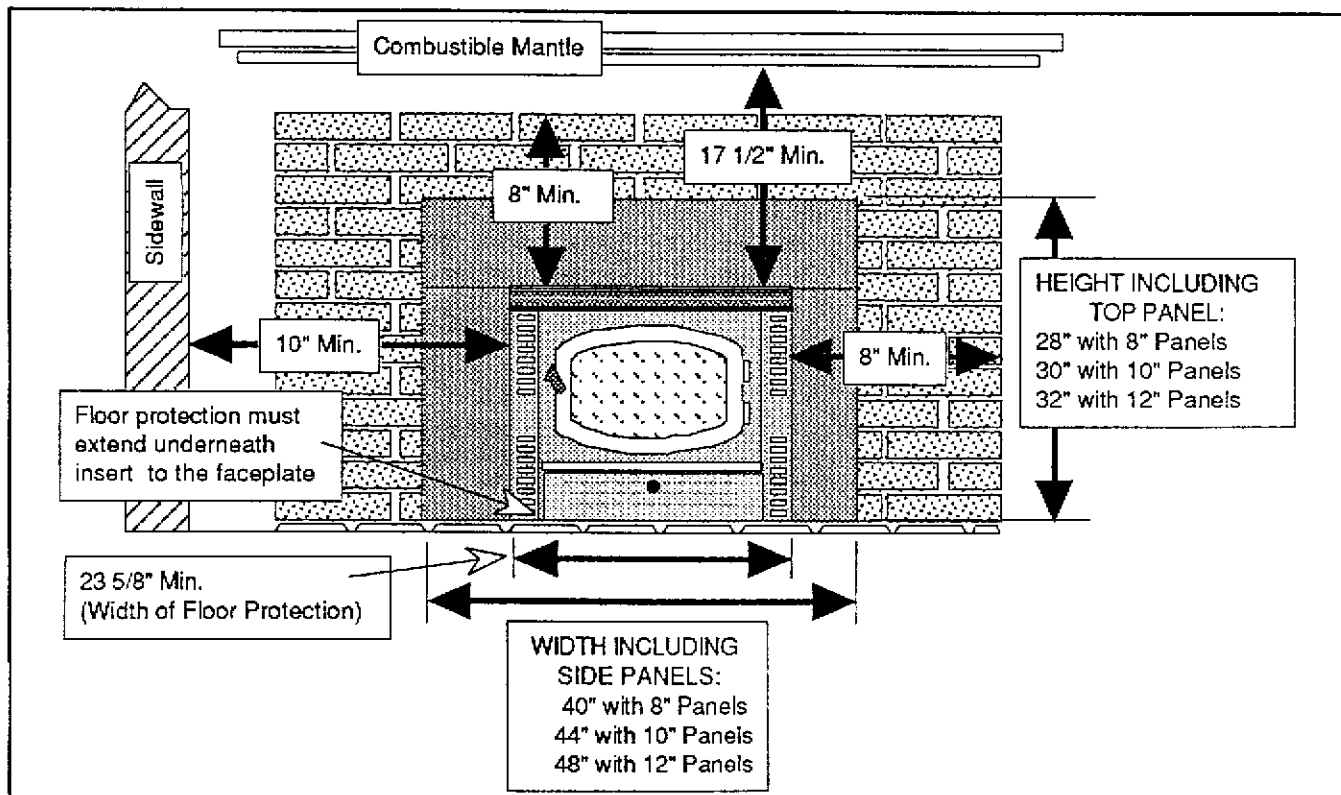
Heater Placement

The heater when installed as a fireplace insert must meet the following requirements:

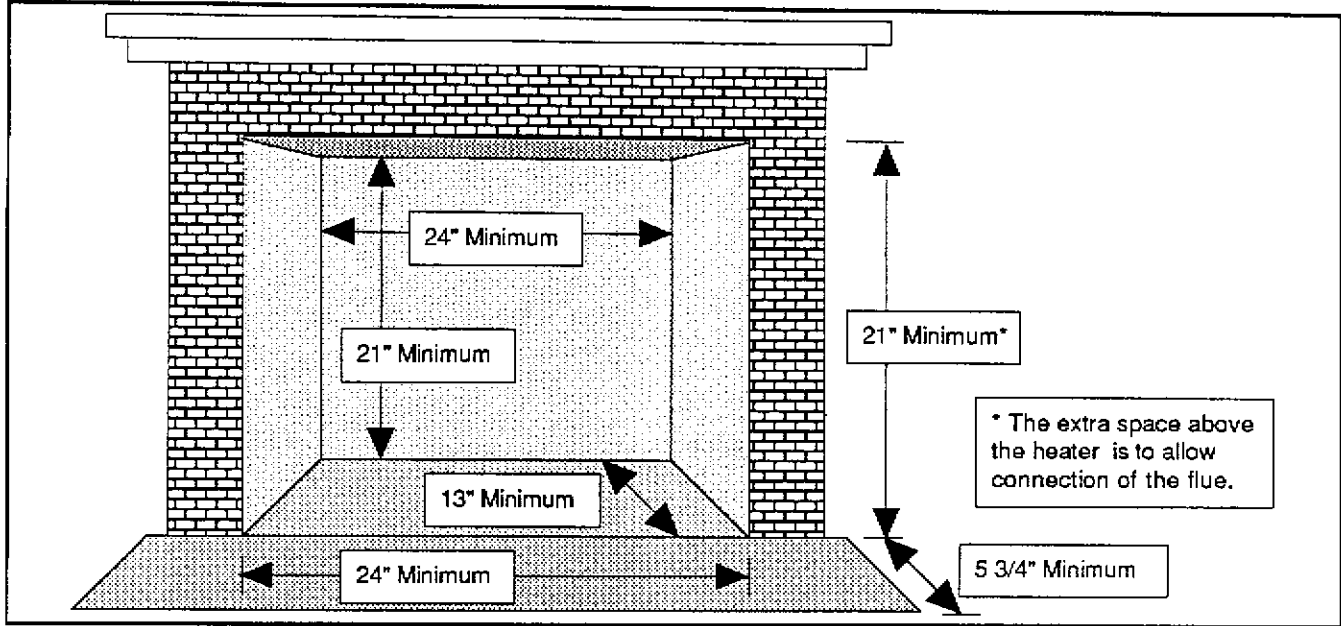
- The insert must be placed so that no combustibles are within, or can swing within (e.g. drapes, doors), 36" of the front of the heater
- The Insert and floor protection must be installed on a level, undamaged fireplace - any cracks or other damage should be repaired prior to installation
- The insert must maintain a 10" clearance to sidewalls
- The non-combustible side facing (e.g. brick, tile, cement board) must extend 8" from the side of the insert
- The non-combustible top facing (e.g. brick, tile, cement board) must extend 8" above the top of the insert
- The combustible mantle must be at least 17 1/2" above the top of the insert



HINT: REDUCING CLEARANCES - Clearances may be reduced by methods specified in NFPA 211, listed wall shields, pipe shields, or other means approved by local building or fire officials.



Fireplace Sizing



Floor Protection

The heater must be installed over a hearth that extends to both sides and from the rear edge of the heater to the faceplate.

Vent Requirements

The vent must be installed in accordance with all local codes, if any; if not, follow ANSI Z23.1 and the requirements listed below. Furthermore, the vent must be installed to meet the installation requirements of the vent manufacturer.



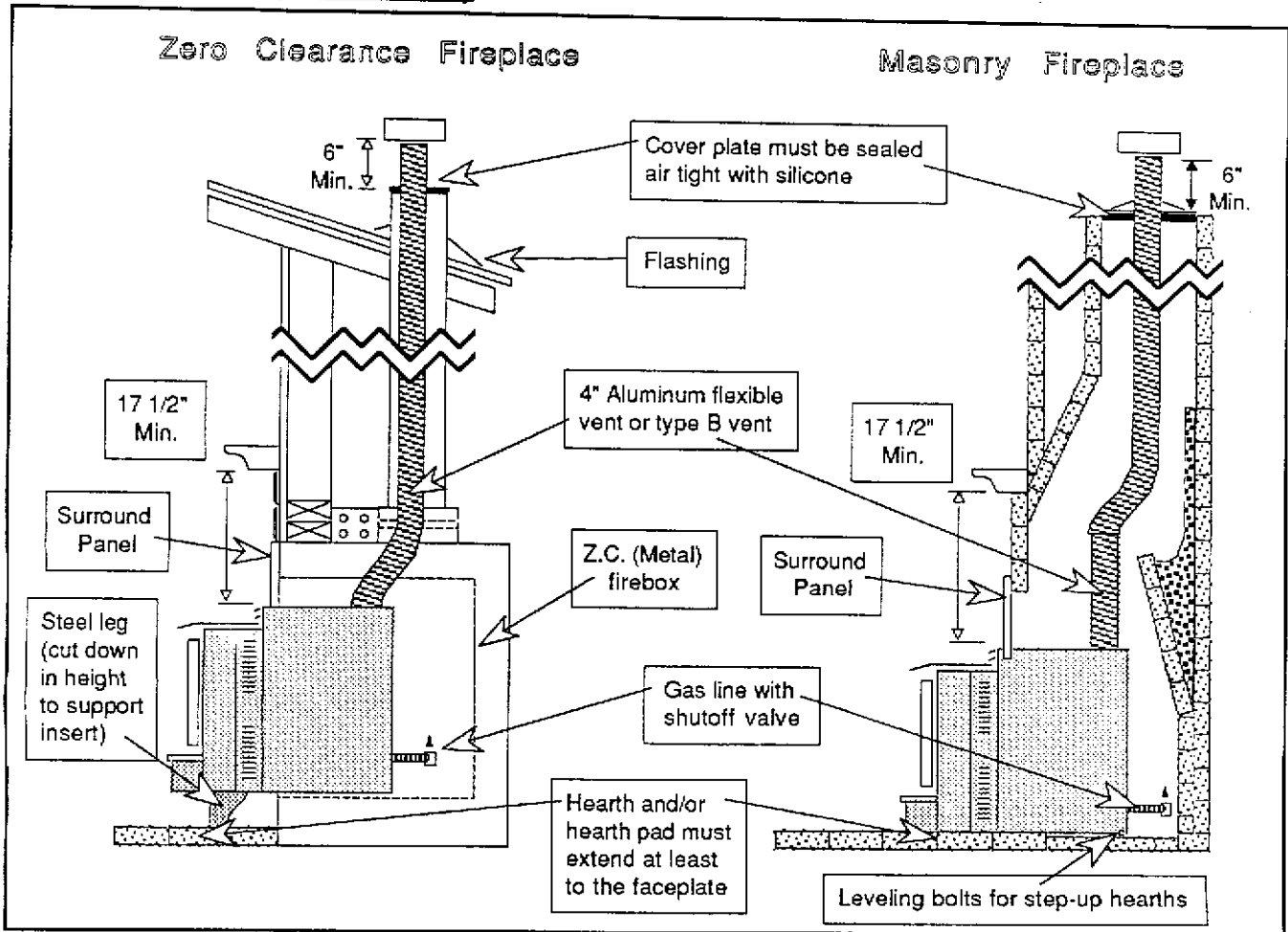
HINT:

Call your local building official to obtain the building code that is used in your area. Most building codes follow the requirements specified in ANSI Z23.1 (to obtain a copy call 212 642-4900).

This heater must be installed with a vent that meets the following requirements (see the illustration on the following page):

- Minimum of 5' vertical rise from top of stove
- 4" diameter aluminum flexible vent or B vent for the entire system from one manufacturer (do not mix brands)
- The vent must not service another appliance
- 1" clearance to all combustibles must be maintained
- The flue must extend the entire length of the masonry or zero clearance chimney and have a sealed cover plate at the top of the chimney
- Must meet all of the vent manufacturer's requirements

Vent Requirements (Continued)



The vent termination must meet the following requirements:

- Must have an approved cap (to prevent water from entering)
- Must not be located where it will become plugged by snow or other material
- A minimum of 6" above the fireplace chimney termination
- Must be a minimum of 2' above the roof - **OR** - 3' above any portion of the roof that is within 10' of the flue

Gas Line Install

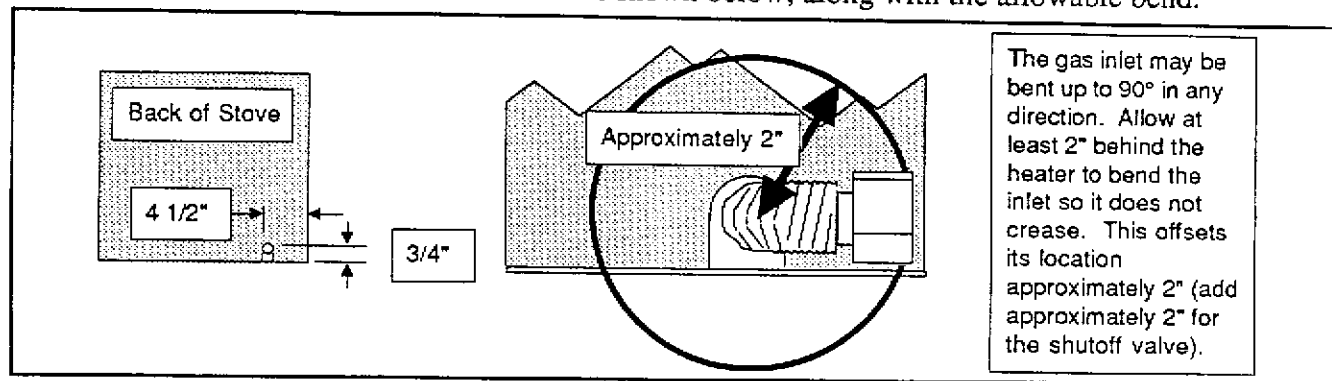
The gas line must be installed in accordance with all local codes, if any; if not, follow ANSI 223.1 and the requirements listed below.

Gas Line Connection Considerations:

- The flexible stainless steel flexible tubing from the heater has a fitting for 1/2" piping.
- The shutoff valve is located directly upstream of the flexible inlet. If it is removed it must be replaced with a different shutoff valve. Certain codes require this valve be accessible. Make this valve accessible if this is the case.

Gas Line Connection Considerations (Continued):

- The location of the inlet is shown below, along with the allowable bend.



- The gas line diameter running to the heater must be an adequate size for the distance it runs from the supply regulator. The chart below describes the necessary inside diameter.

Pipe Length (Feet)	Schedule 40 Pipe Inside Dia.	Tubing, Type L Outside Dia.
0 to 10	1/2" (1.3 cm)	1/2" (1.3 cm)
10 to 40	1/2" (1.3 cm)	5/8" (1.6 cm)
40 to 100	1/2" (1.3 cm)	3/4" (2.0 cm)
100 to 150	3/4" (2.0 cm)	7/8" (2.3 cm)
150 to 200	3/4" (2.0 cm)	7/8" (2.3 cm)

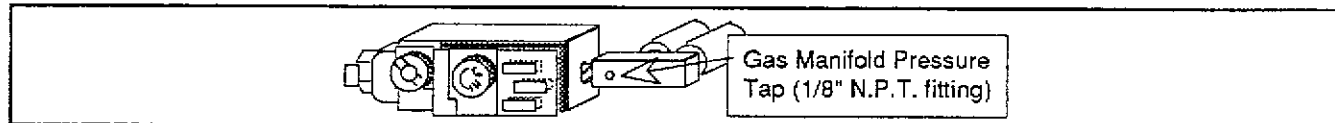
Gas Pressure:

- This heater was designed for 7" of water column pressure (1.675 kPa). The minimum allowable pressure is 5.5" of water column (1.37 kPa). If the pressure is not sufficient, make sure the piping used is large enough, the supply regulator is adequately adjusted, and that the total gas load for the entire residence does not exceed the amount supplied. The gas inlet to the heater must not exceed 10.5" of water column (2.6 kPa). The supply regulator (the regulator that attaches directly to the residence inlet) typically supplies gas at 7" of water column (1.75 kPa), which would eliminate over-pressurization.

Manifold Pressure:

The heater has a 1/8" N.P.T. tap located directly on the manifold. This allows the installer to check the pressure of the gas downstream of the valve. The pressure should be:

- 3.5" (.87 kPa) water column with the flame height turned to high.
- 1.0" (.25 kPa) water column with the flame height turned to low.



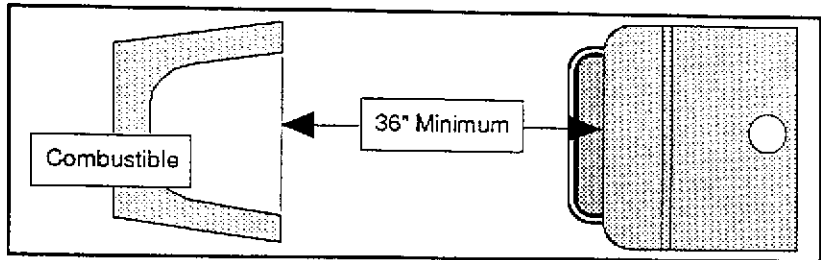
If the manifold pressure is not correct, check the inlet gas pressure and correct the problem before finishing the installation.

Finalizing the Installation

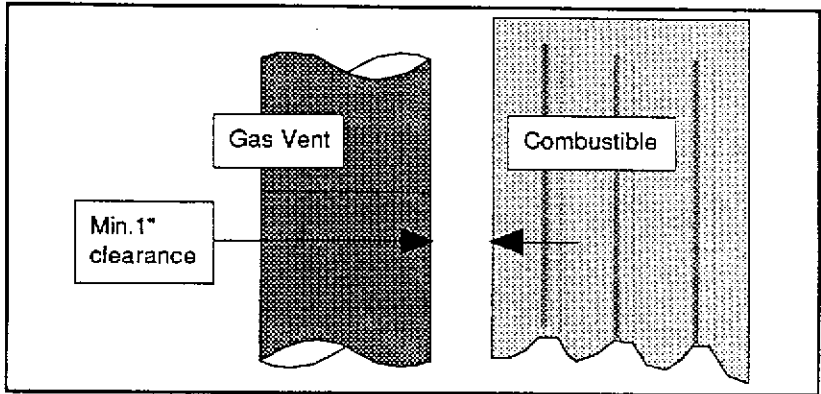
All optional equipment should be installed and the ceramic logs placed inside the firebox (see the optional equipment instructions included with this manual and the section "Replacing the Logs" found in the maintenance section of this manual). Then the heater should be started and checked for proper performance. The installer should review the operations portion of this manual to make sure the owner understands the operation of the heater.

The check off list below details the installation concerns that you, the consumer, should know prior to starting the heater. This information is very important and must be checked off.

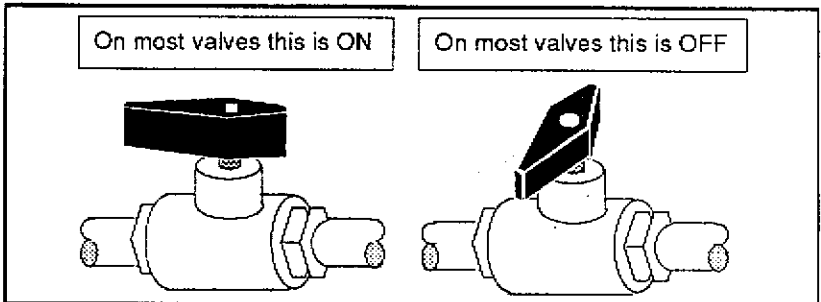
- () There are no combustible items placed within 36" of the front of the heater or swing within 36" of the front of heater. This includes furniture, doors, drapes, etc.



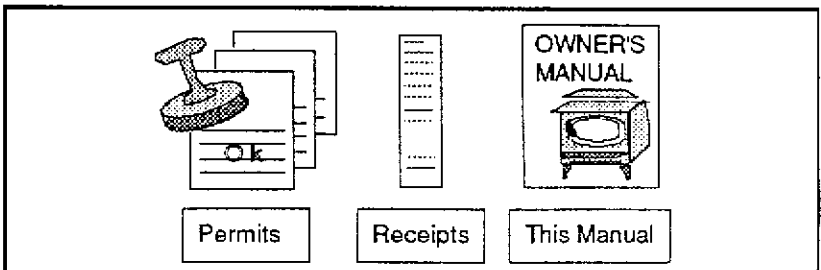
- () No combustibles are within 1" of the exhaust vent. This includes drywall, drapes, window sills, etc. If any question exists, call your dealer for a full explanation.



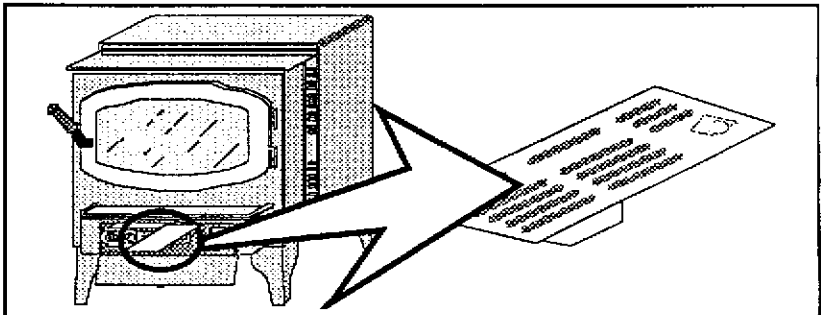
- () The location of the GAS MAIN SHUTOFF VALVE is known. Everyone in the house should know where the gas main shutoff valve is and how to turn it off.



- () All of the necessary permits and installation information have been obtained for your records. This includes the permits from building officials, receipts, and this manual.



- () The operation card included with the heater slides out from behind the access panel. If you can not find it, call your dealer for details. This card includes important operation information that must be kept with the heater at all times.

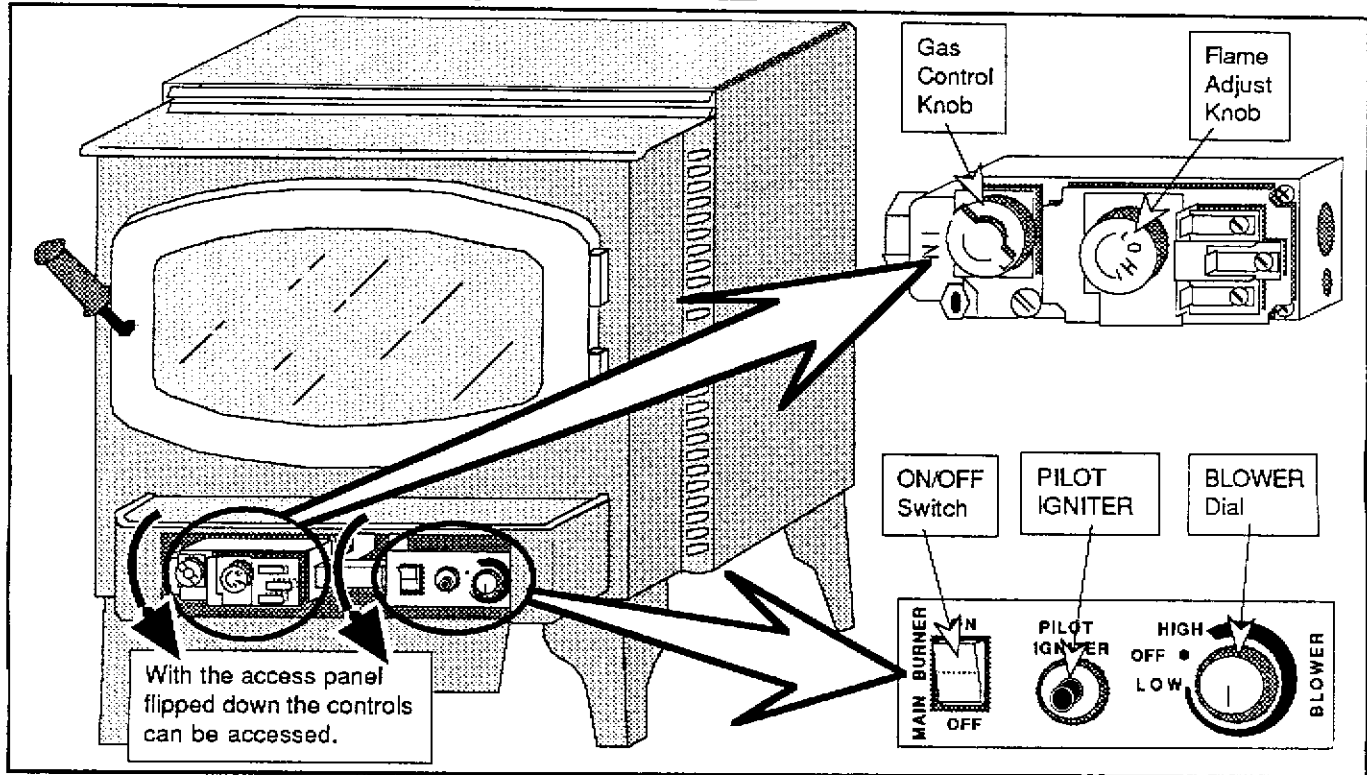


Before You Begin

READ THIS ENTIRE MANUAL BEFORE YOU USE YOUR NEW HEATER. FAILURE TO FOLLOW THE INSTRUCTIONS MAY RESULT IN PROPERTY DAMAGE, BODILY INJURY, OR EVEN DEATH.

Before starting your heater make sure you have read the section titled **Safety Precautions**. Any questions should be referred to your dealer.

Location of Controls - See explanation below



Gas Control Knob

This green knob is used when the pilot goes out or when starting the heater for the first time. There are three positions, ON, OFF, & PILOT. The pointer directly below the knob indicates the position this knob is in.

Flame Adjust Knob

This knob controls the flame height from low ("LO") to high ("HI"). The pointer to the upper right of the knob points to the position this knob is in.

ON/OFF Switch

This control is used to turn the heater on and off.

PILOT IGNITER

The pilot igniter is used only while starting the pilot. When pressed, it sends an electrical charge to the pilot assembly. This creates a blue spark directly next to the pilot light, igniting it.

BLOWER Dial

This dial controls the speed of the internal convection fan that pushes the heated air into the room.



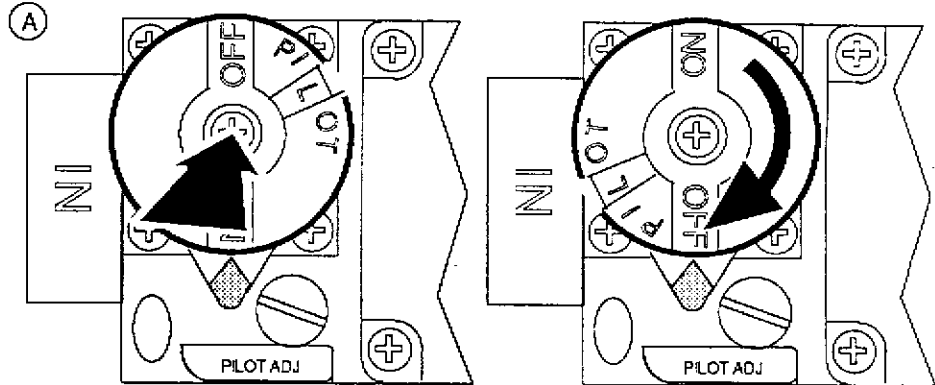
NOTE:

The ON/OFF Switch must be left "ON" if using the remote control or thermostat. Turning the ON/OFF Switch to "OFF" will keep the heater off always.

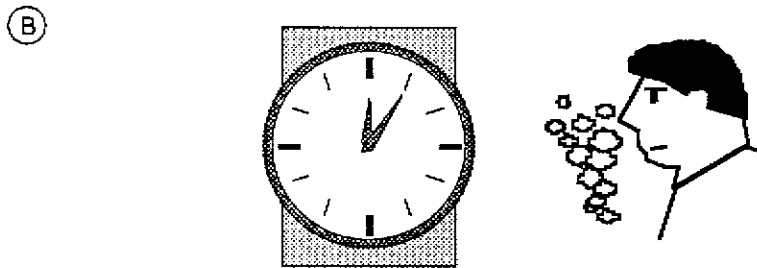
Starting The Pilot

The pilot light is used to ignite the main burners when the stove is turned on and also provides an important safety role. It will stay lit once it is started. However, the pilot will shut off whenever the door is opened or the gas is shut down. If the pilot turns off frequently, call your dealer for information. To start the pilot follow the directions below:

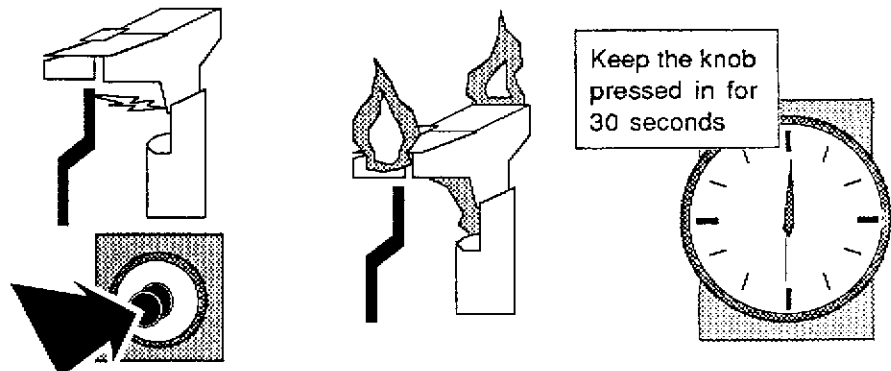
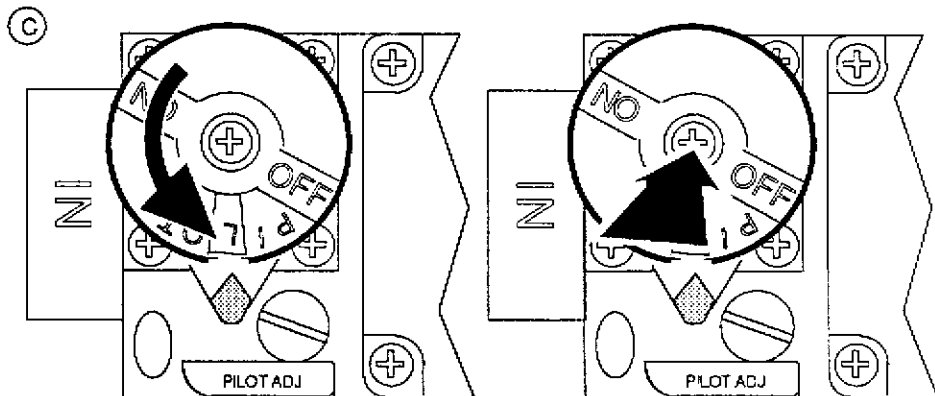
- A. Push the gas control knob in slightly and turn it to the "OFF" position. The knob will not turn from "ON" to "OFF" unless the knob is depressed slightly.



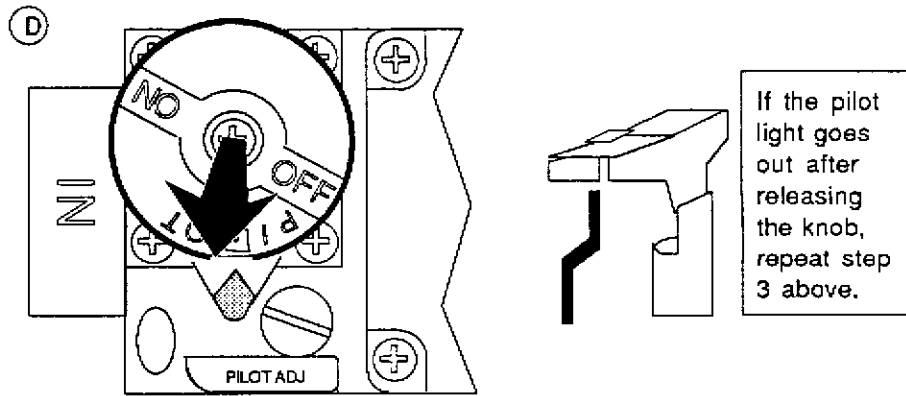
- B. Wait five minutes to let any gas that may have accumulated inside the firebox escape. If you smell gas, follow the directions on the cover "IF YOU SMELL GAS".



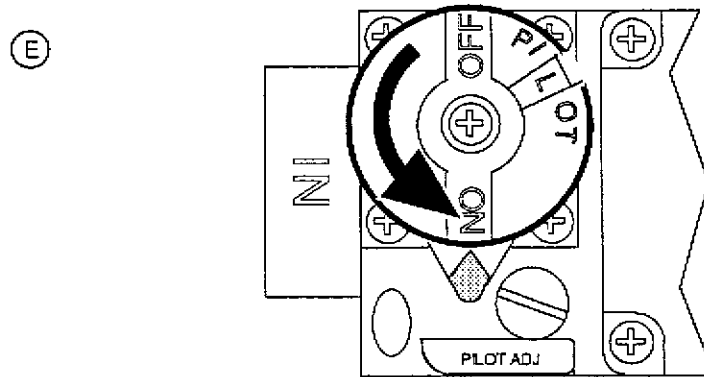
- C. Turn the gas control knob to the "PILOT" position and press the knob in, this will allow gas to flow to the pilot light. Press the red button on the pilot igniter repeatedly until you see the pilot light. **KEEP THE GAS CONTROL KNOB DEPRESSED FOR 30 SECONDS** ONCE IT IS LIT. Note: If the pilot does not light after several tries, call your dealer for service.



- D. Release the gas control knob. If the pilot goes out, repeat step C. If the pilot refuses to stay lit, call your dealer for service.



- E. Turn the gas control knob counter-clockwise to "ON". The pilot is now lit and the heater can be turned on and off.



Running Your Heater

Your heater may be turned on and off manually, with the optional remote control, or by the optional thermostat. The speed of the fan and the height of the flame can also be adjusted manually.



NOTE: When the heater first comes on, the flames will be blue and somewhat transparent. After fifteen minutes the flames will turn a more realistic yellow and orange color.

NOTE: Certain installations use a remote "wall switch" to turn the heater on and off. If this is the case, leave the ON/OFF switch on "ON".

NOTE: When this switch is turned to the "OFF" position the main burner will not operate. However, the pilot flame will stay lit.

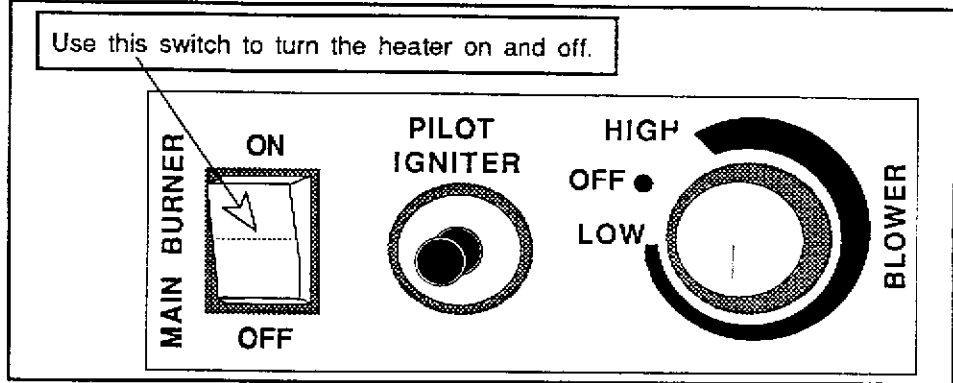
Starting the Heater for the First Time

The first time your heater gets up to temperature you will smell the paint on the outside of the heater curing. This is normal. We recommend that you first fire your heater with all of the windows open for a few hours during the first fire. Furthermore, the glass may become obscure during the first 10 hours of burning due to the components inside the firebox curing. Clean the glass with a glass cleaner after the first ten hours of operation.

Turning the Heater On and Off

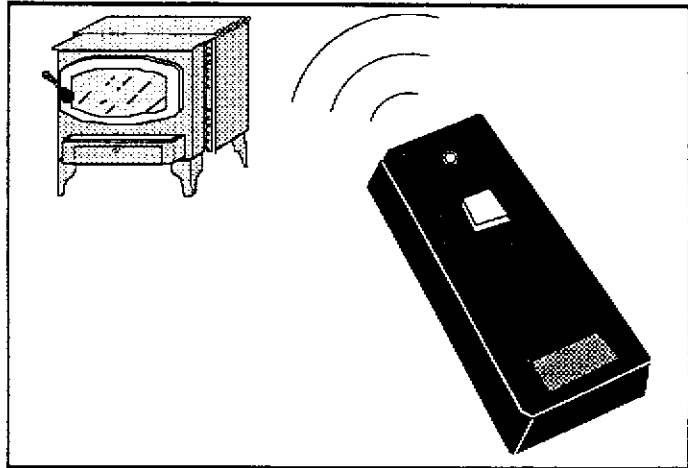
• **Manual Operation**

After the pilot has been started the heater may be turned on and off by pressing the ON/OFF switch located behind the access panel underneath the ashlip (see the illustration to the right).



• **Remote Control Operation (Optional)**

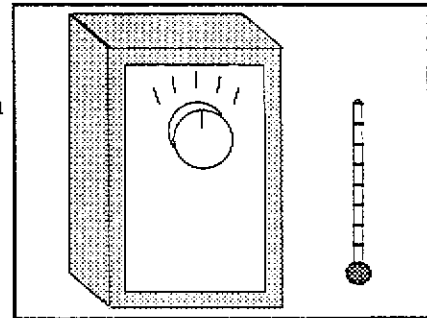
After the pilot has been started the heater may be turned on and off with the remote control from within the room. The remote control has two batteries, one in the remote and one in the heater. They both must be charged for the remote control to work. If the remote control doesn't work, first try replacing both the batteries for the remote control (see the installation instructions). If this doesn't work, contact your dealer for service.



NOTE: For the remote control to work, the ON/OFF switch must be left "ON".

• **Thermostat Operation (Optional)**

After the pilot has been started the heater may be controlled by a thermostat. The thermostat will automatically turn the heater on and off depending on the temperature. If the thermostat does not turn the heater on, the thermostat may be set too low or it may be disconnected. If the thermostat does not turn the heater off, the thermostat may be set too high. If the thermostat does not work correctly after making these adjustments, call your dealer for service.



HINT: If the heater turns on and off frequently, you may want to adjust the flame height down until it produces just enough heat needed. This keeps the thermostat from turning the heater on and off repeatedly.



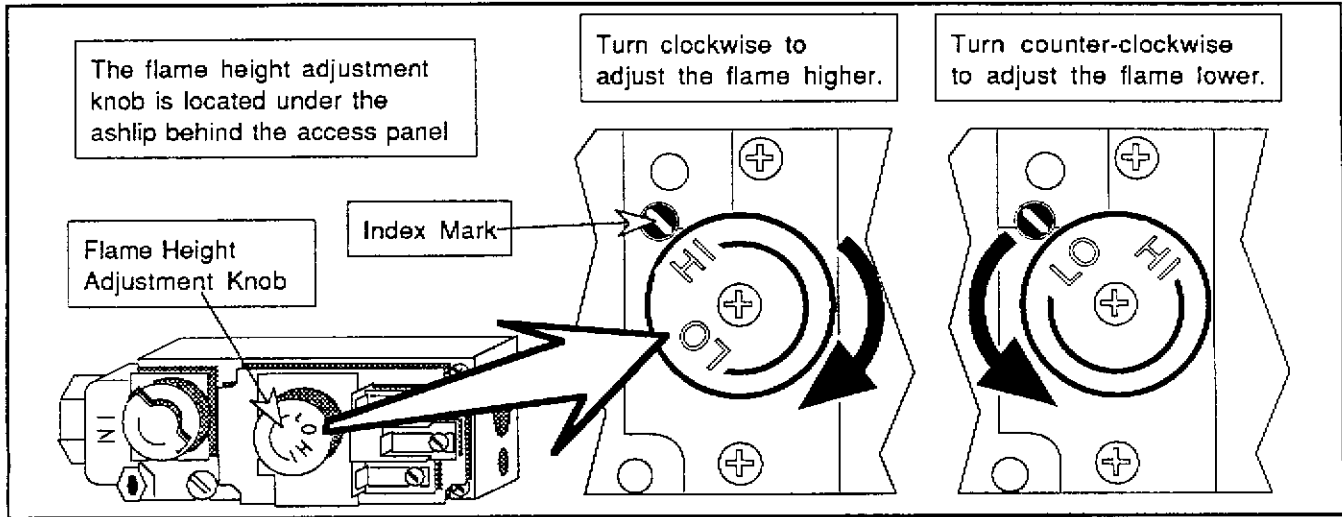
WARNING: Do not place any combustible items on top of the heater, even temporarily. The thermostat is automatic and may start the heater causing a combustible item to ignite.



NOTE: For the thermostat to work, the ON/OFF switch must be left "ON".

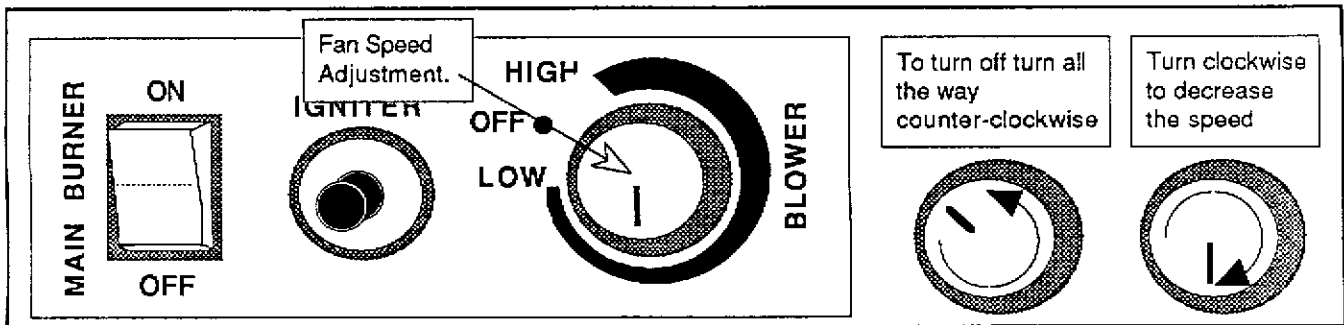
Adjusting the Flame Height

Your heater has an adjustable flame to custom tailor the look and heat output for your specific needs. It is adjusted by turning the middle dial on the valve assembly.

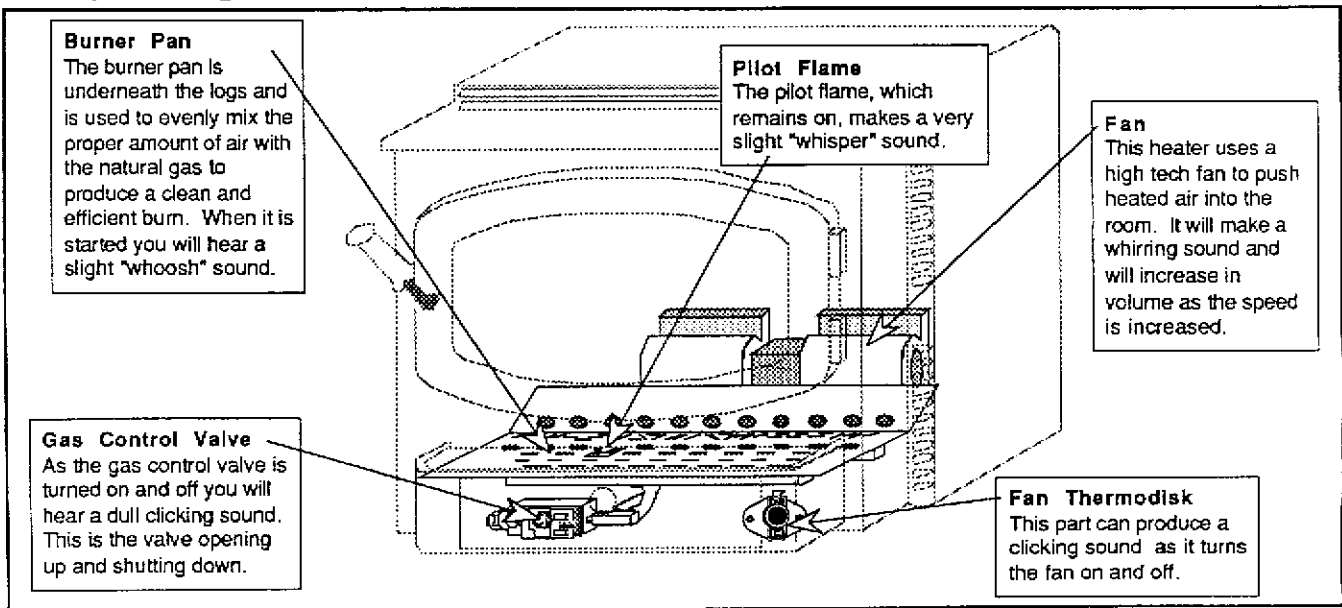


Adjusting the Blower Speed

The blower on your heater helps transfer the heat from the heater into the room. When turned on, it will start blowing air once the heater is up to temperature and remain on until the heater has cooled down. See the illustration below for instructions on adjusting the fan speed knob.



Normal Operating Sounds



Every year you should inspect the firebox and door to make sure they are clean and functional.

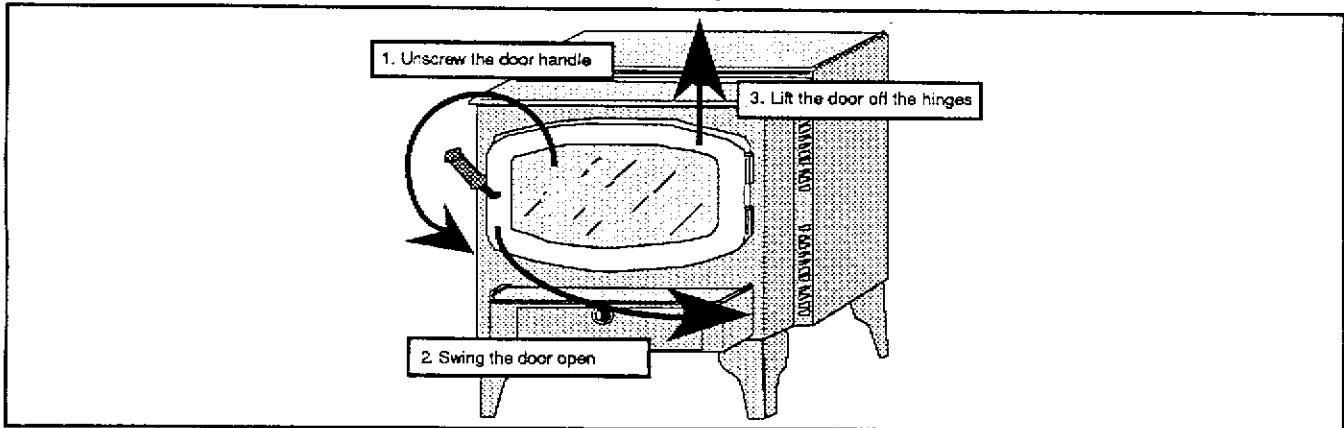


WARNING: Failure to inspect and maintain your heater may lead to improper burning inside the heater, leading to a dangerous situation.

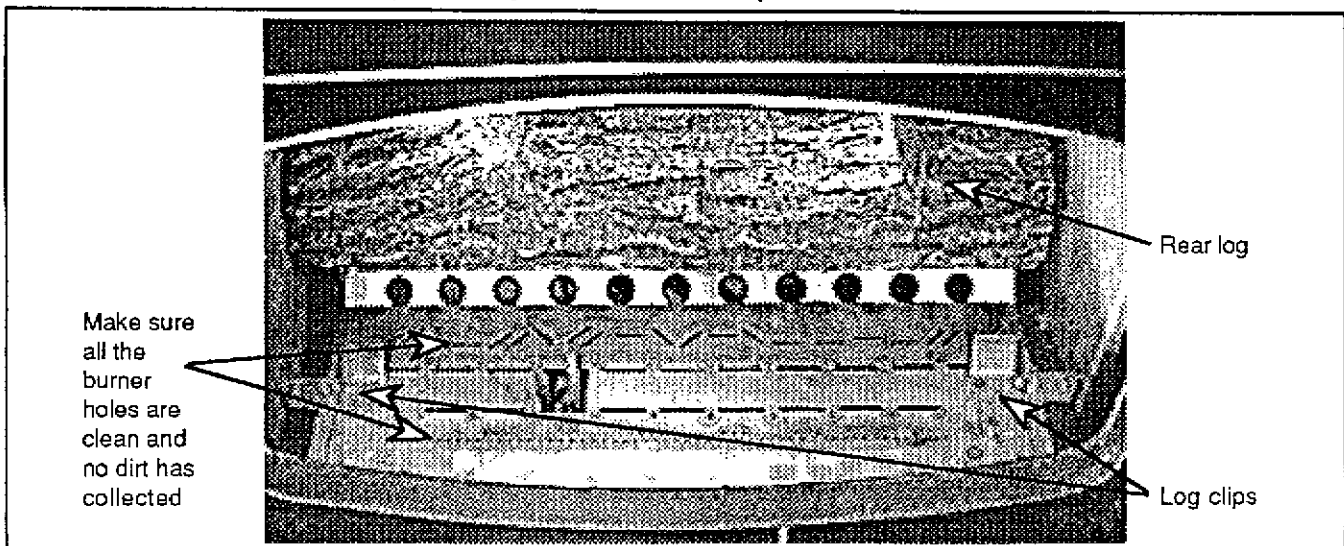
Inspecting the Firebox

The firebox should be inspected to insure the heater is working correctly. At this time it should also be cleaned of any soot or dust that may have been drawn into the heater. To do this, follow the directions below.

1. Open the door by unscrewing the door handle (see the illustration below). Swing the door open and lift it off the hinges to remove the door



2. Remove the front log and ember strip by lifting them out of their holders.
3. Use a vacuum cleaner with a soft brush attachment to vacuum any dirt off the burner pan (see the illustration below). The rear log is fragile and should not be vacuumed. Inspect the burner pan and firebox for any deterioration. If it shows signs of deterioration, call your dealer for a full inspection. There should be no soot in the firebox, except for a small amount on the logs where the flames brush up against them. If there is additional soot, the heater may need adjustment. Contact your dealer for information.



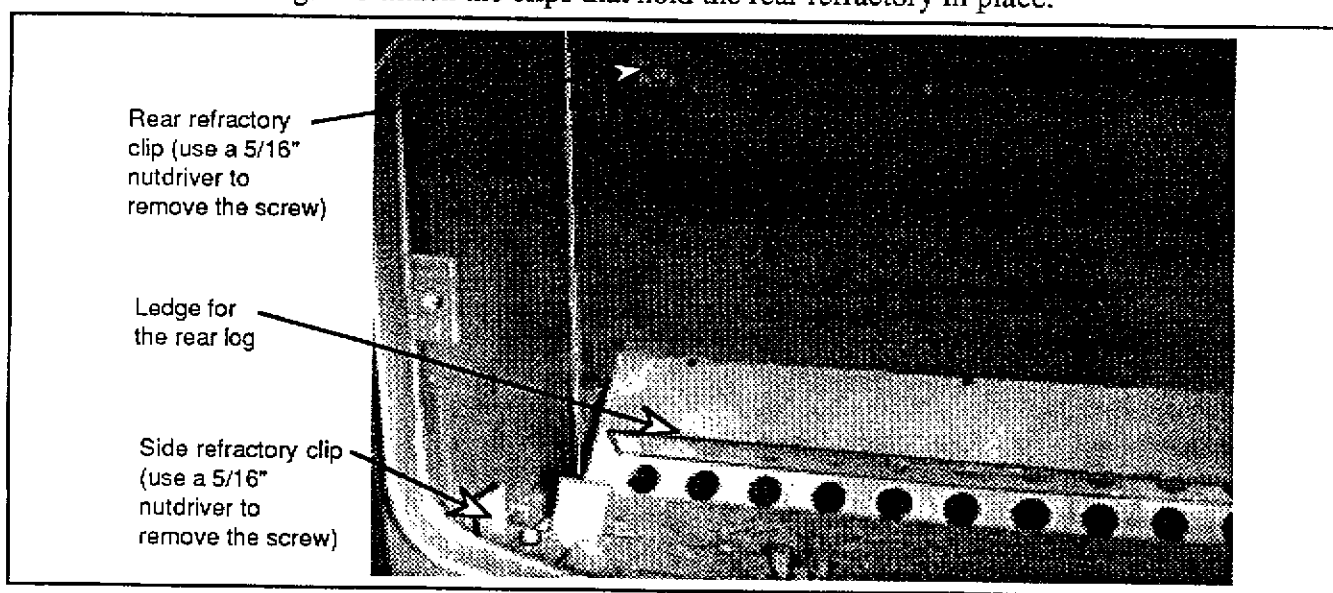
4. To replace the front log and ember strip follow the directions in the section "Installing the Logs, Ember Strip, and Refractory".
5. Replace the door. Turn the door handle clockwise until the door seals tight. **Make sure the handle faces outwards and is not in front of the glass.**

Installing the Logs, Ember Strip, and Refractory

The logs, ember strip, and refractory are wrapped during shipping and will need to be properly placed before starting the heater. During annual maintenance the front log and ember strip should be removed for cleaning. The logs and ember strip must be installed correctly, otherwise the heater will not burn properly. The instructions below detail the installation of these items.

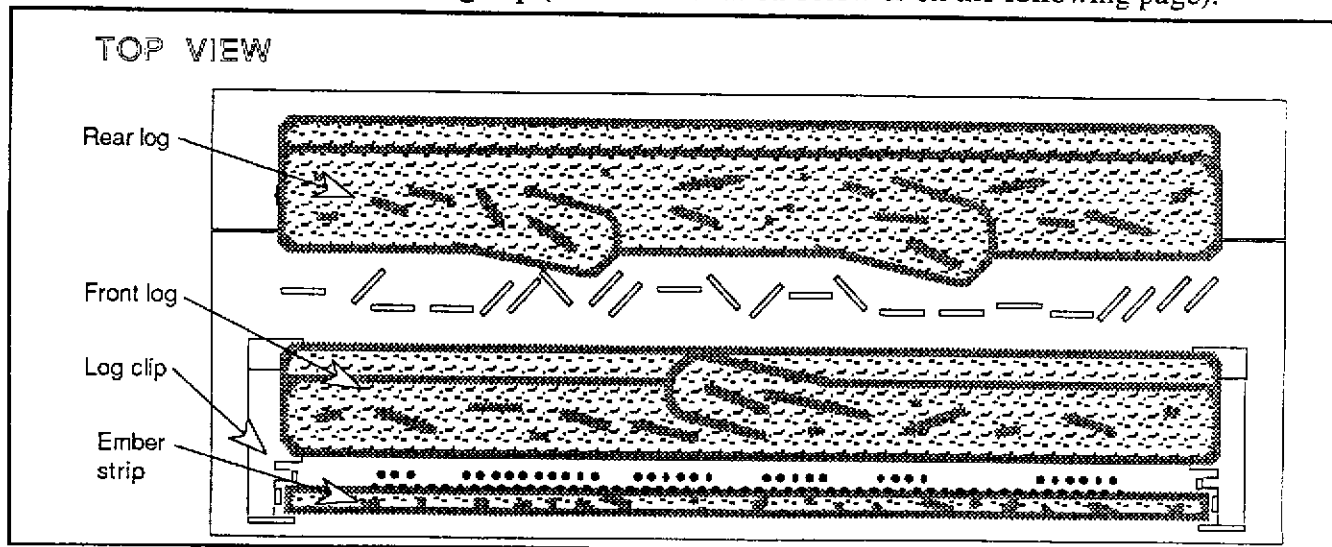
Refractory and Rear Log Installation

The side refractories should be installed first. Remove the two clips that hold the side refractories in place by unscrewing the two screws on either side of the burner pan with a 5/16" nutdriver. Place the side refractories against the side walls of the firebox, brick pattern facing outward, and re-attach the clips. Next, place the rear log on top of the holder at the rear of the burner pan. The rear refractory rests on top of the rear log and is held upright with two clips located on the rear wall of the firebox. Remove these two clips by unscrewing the two screws in the center of the clips with a 5/16" nutdriver. Place the rear refractory against the rear wall of the firebox, brick pattern facing outward, so the bottom edge of the refractory rests in the slot on top of the rear fire log. Re-attach the clips that hold the rear refractory in place.

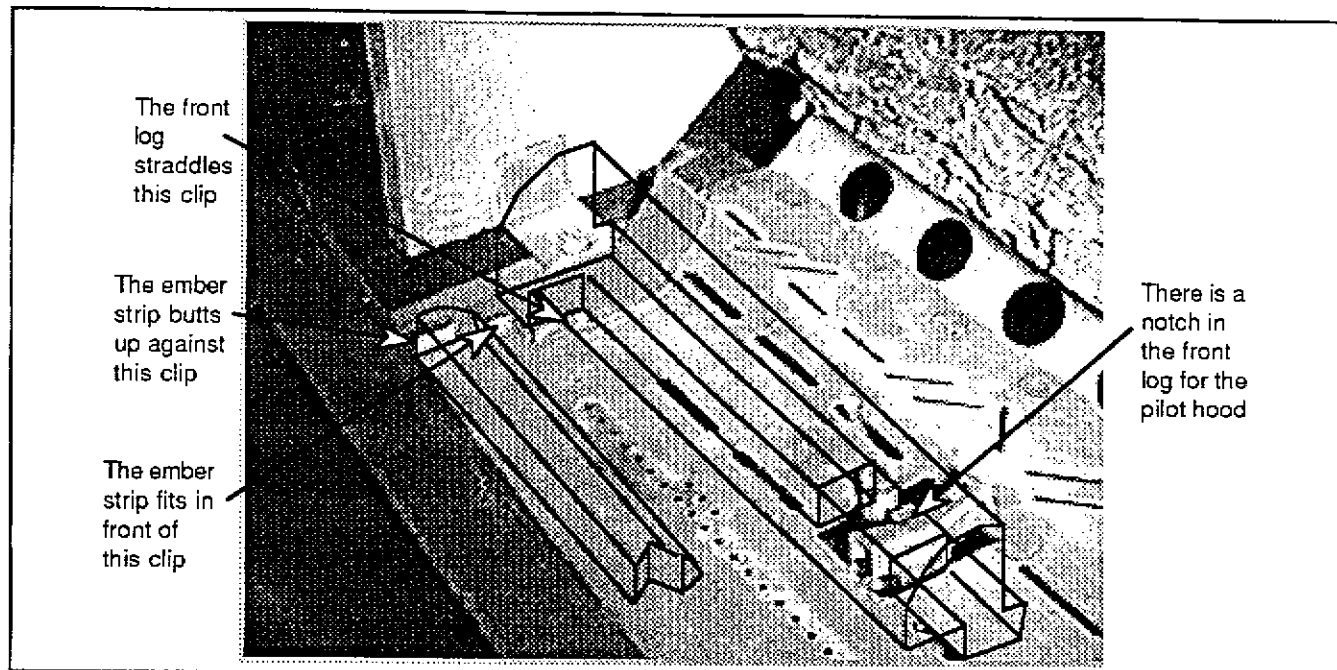


Front Log and Ember Strip Installation

The front log must be placed so that it straddles the log clips on both sides of the burner pan. The ember strip should be placed so that it is directly forward of the front burner holes and fits within the retainers on the log clip (see the illustration below & on the following page).



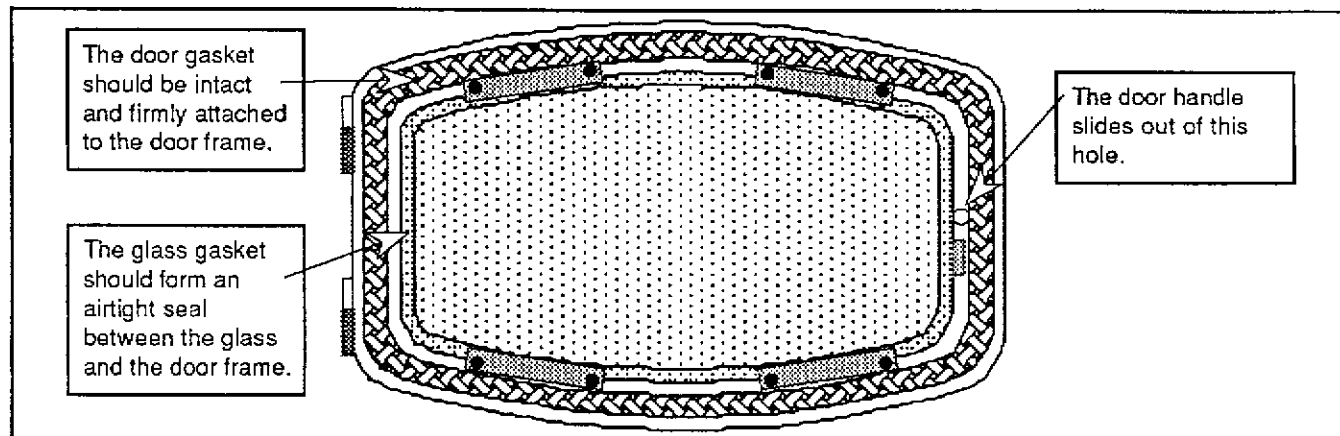
Front Log and Ember Strip Installation (Continued)



Inspecting the Door

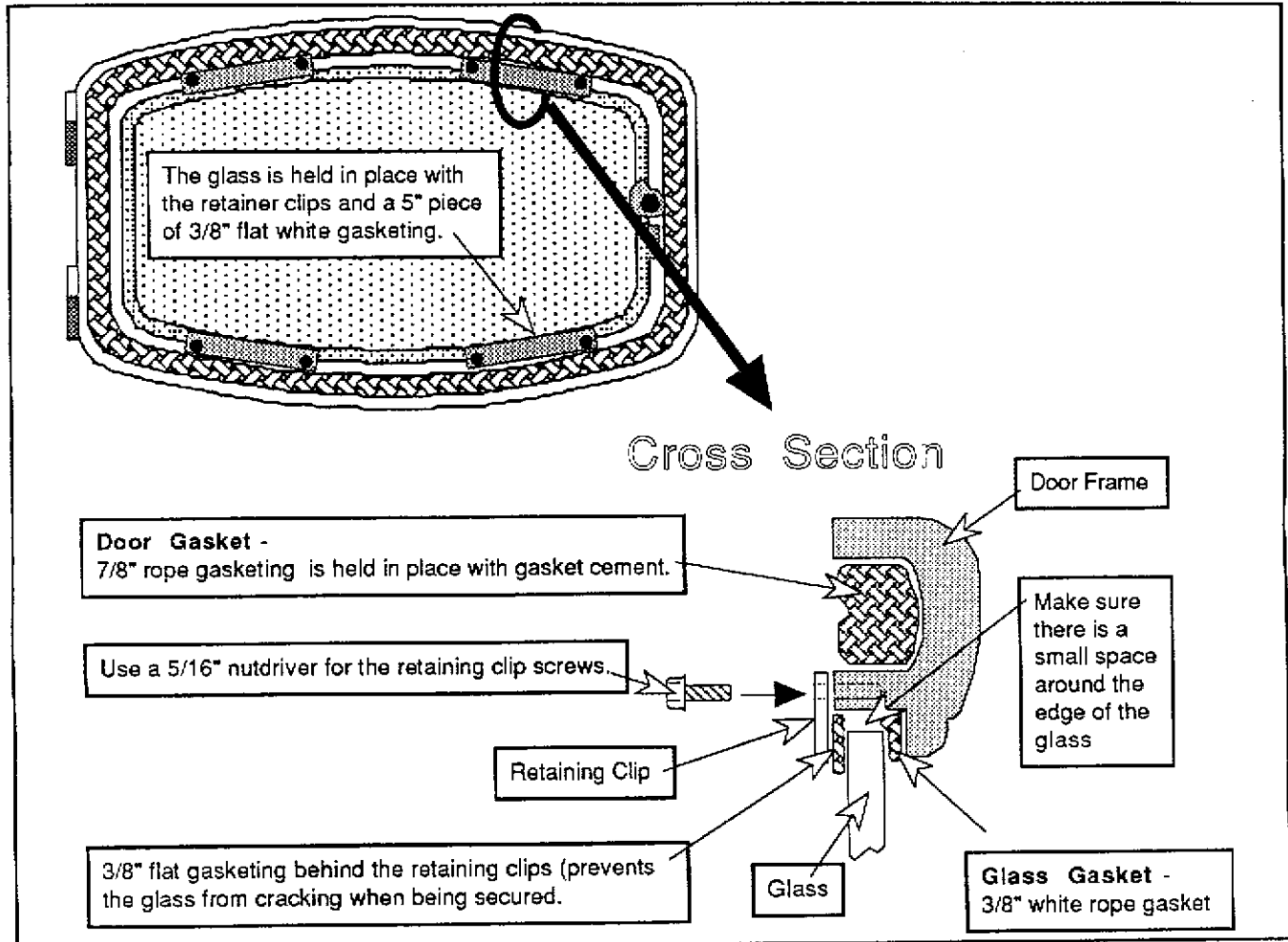
The door must seal against the face of the unit for your heater to operate correctly. Follow the directions below to inspect the door.

1. Remove the door by following the instructions in the section "Inspecting the Firebox".
2. Place the door face down and check the door and glass gaskets for deterioration (see the illustration below). Replace the gaskets if necessary (see the instructions on the following page).
3. Then replace the door when it is okay. Turn the door handle clockwise until the door seals tight. **Make sure the handle faces outwards and is not in front of the glass.**



Replacing the Door Gasket

If the door gasket has deteriorated it will need to be replaced with an Avalon replacement door gasket. The first step is to remove the door and strip away the old gasket. Apply a line of gasket cement in the groove that follows the perimeter of the door. Insert the gasket into the groove. Do not stretch the gasket as you place it into the groove. Cut off any excess gasket when done. Allow 2 hours for the cement to dry. When re-installing the door, the gasket may need to be flattened by repeatedly opening and closing the door firmly. See the illustration below.



Replacing the Glass or Glass Gasket

If the glass has broken or if the gasket that seals the glass has deteriorated, the glass should be removed and a new gasket installed. Use only Avalon replacement glass and gasketing.

The first step is to remove the door. Unscrew the eight screws that hold the retaining clips in place with a 5/16" nutdriver (see the illustration above). Carefully remove the glass. Align the 3/8" white rope gasket (new or old) along the ledge that follows the perimeter of the window opening. If using a new gasket, trim off any excess. Place the glass (new or old) in place so there is a small gap between the edge of the glass and the door frame. Make sure the gasket is tucked underneath the glass so the glass does not touch the door frame. Cut four 5" lengths of 3/8" flat white gasket or use the existing undamaged flat gasket. These pieces are placed between the retaining clips and the glass to prevent the glass from cracking or moving when the clips are secured. Place the glass clips in place and secure them with the screws removed earlier. Tighten the retaining clips until the gaskets start to flatten. **DO NOT OVER-TIGHTEN THE RETAINING CLIPS - THIS MAY CRACK THE GLASS.**

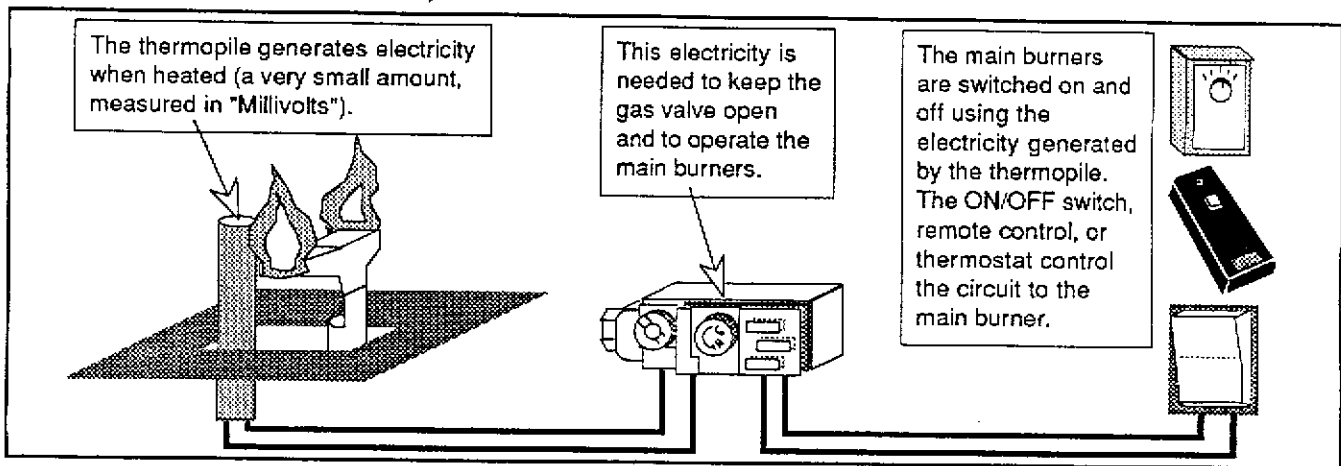
Problem:	Possible Cause:	Don't Call for Service Until You:
The Pilot Won't Light	A gas shut off valve is turned off..... The valve control knob isn't turned to "PILOT"..... The valve control knob isn't pushed in..... The igniter wasn't pressed repeatedly.....	Check all gas shut off valves See "Starting the Pilot Light" Step C See "Starting the Pilot Light" Step C See "Starting the Pilot Light" Step C
Main Burners Won't Start	The pilot light has gone out..... The ON/OFF switch is turned to "OFF"..... The remote is too far away from the heater..... The remote control is turned off at the stove..... One of the two remote control batteries is dead..... The thermostat is disconnected or set too high.....	See "Starting the Pilot Light" Turn the ON/OFF switch to "ON" Use the remote closer to the heater See "Remote Control Operation" See "Remote Control Operation" See "Thermostat Operation"
The Remote Control Doesn't Work	The pilot light has gone out..... The ON/OFF switch is turned to "OFF"..... The remote is too far away from the heater..... The remote control is turned off at the stove..... One of the two remote control batteries is dead.....	See "Starting the Pilot Light" Turn the ON/OFF switch to "ON" Use the remote closer to the heater See "Remote Control Operation" See "Remote Control Operation"
The Thermostat Doesn't Work	The pilot light has gone out..... The ON/OFF switch is turned to "OFF"..... The thermostat is disconnected or set too high.....	See "Starting the Pilot Light" Turn the ON/OFF switch to "ON" See "Thermostat Operation"
The Heater Won't Distribute Heat	The fan is unplugged..... The fan is turned "OFF" or set too low.....	Plug the fan in. See "Operating Your Heater"
The Pilot Goes Out Once a Month or More	Make sure the door is kept closed..... The gas supply has not been shut off recently.....	See "How this Heater Works" See "How this Heater Works"
The Flames are Too Blue	It takes 15 minutes for the flames to turn orange..... Nothing is placed against the heater.....	See "Operating Your Heater" See "How this Heater Works"
The Flames are Orange with Dirty Smoke	Nothing is placed against the heater.....	See "How this Heater Works"
The Flames are Too Short (under 6")	Turn the flame height to "HI"..... Nothing is placed against the heater.....	See "Operating Your Heater" See "How this Heater Works"
The Flames are Too Tall (over 10")	Nothing is placed against the heater.....	See "How this Heater Works"

How this Heater Works

This gas heater is designed with safety as the primary concern. Most of the components inside this heater are used for safety purposes. Therefore, only certified gas service technicians should service this heater. Your dealer can help you find a certified gas service technician.

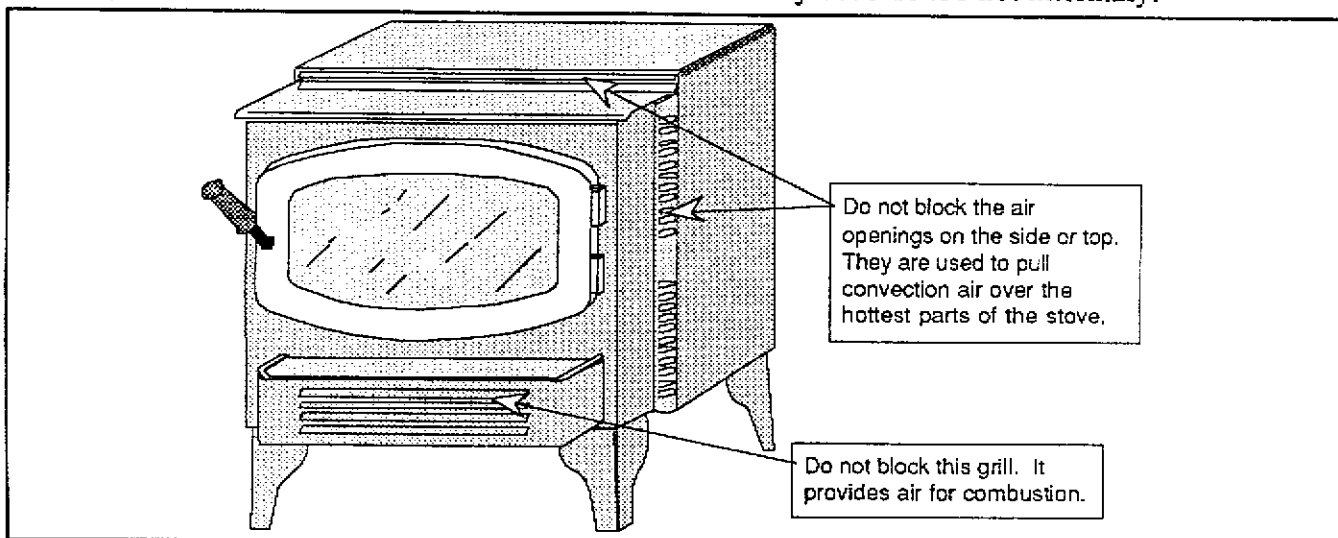
What Turns the Main Burners On and Off

This heater uses a "millivolt system" to control its operation. A millivolt is a very small measurement of electricity. The thermopile, located directly next to the pilot light, generates electricity when it is heated by the pilot light. If the pilot is not lit, the thermopile does not generate electricity. This electricity is used to keep the gas valve open. Without it, the gas valve shuts off all gas to the heater. That is why when starting the pilot the gas control knob has to be pressed in long enough for the thermopile to heat up and start generating electricity. This current not only keeps the gas valve open but also provides electricity for the ON/OFF switch, remote control, or thermostat (see the illustration below). Because the thermopile generates the electricity needed to turn the heater on and off, this heater can be operated when the power is out (but the blower will not run).



Why Nothing Should Be Placed Against the Heater

Your heater has a grill below the ashtray and convection air openings on the side and top that must not be blocked. The grill below the ashtray allows air into the firebox. If it is blocked the combustion inside the firebox will not burn normally. This will result in reduced efficiency and the flue gases will become dirty. The convection air openings on the side and top are used to draw room air over the hottest parts of the heater and distribute the warmed air into the room. If they are blocked, the heater will not heat as well and may become too hot internally.



What Prevents Gas Buildup

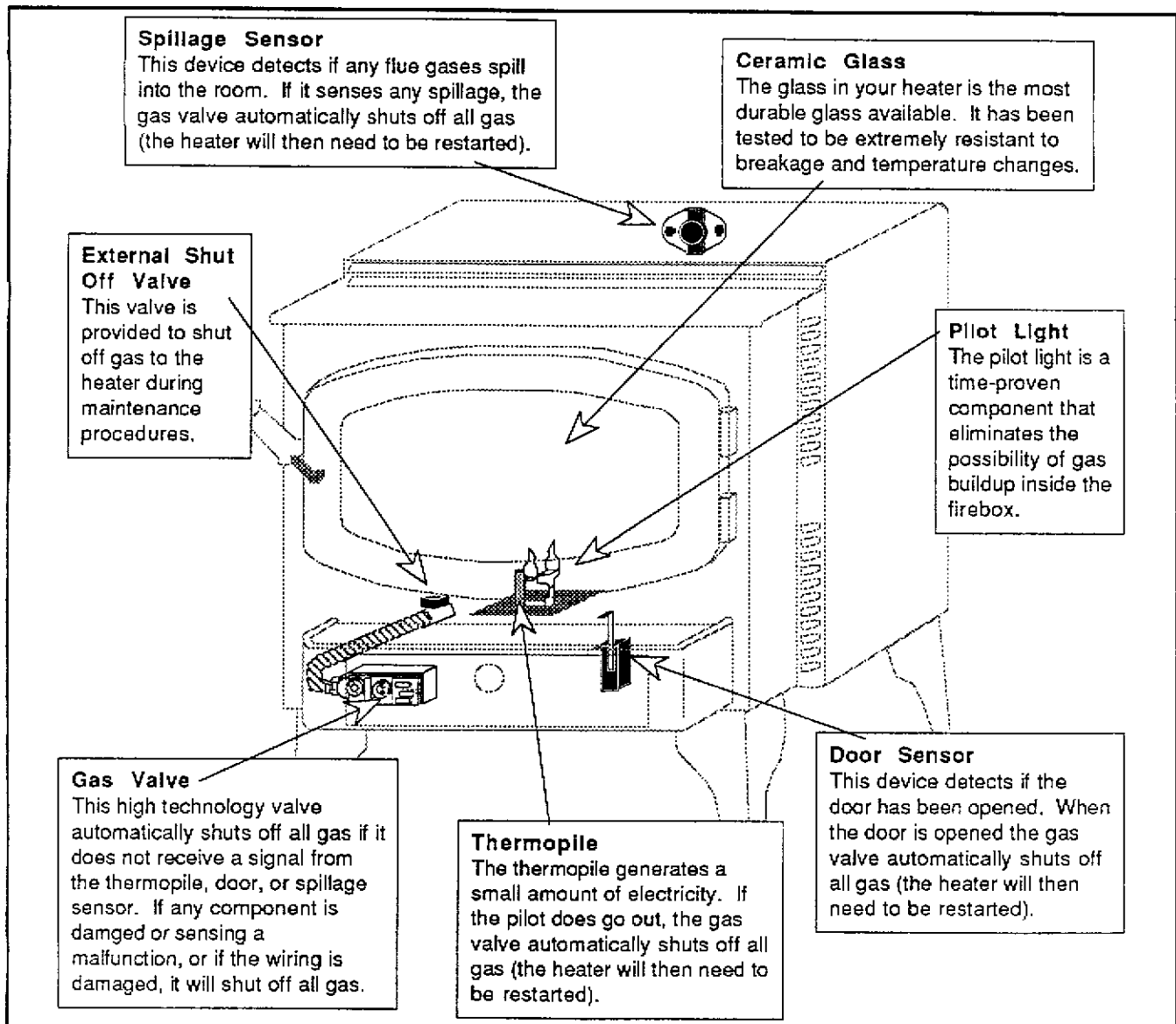
Your heater has a high technology gas valve in combination with safety sensors which prevent any gas from building up. It also has a pilot light inside the firebox, which is a proven method for preventing gas buildup.

While the main burner is off

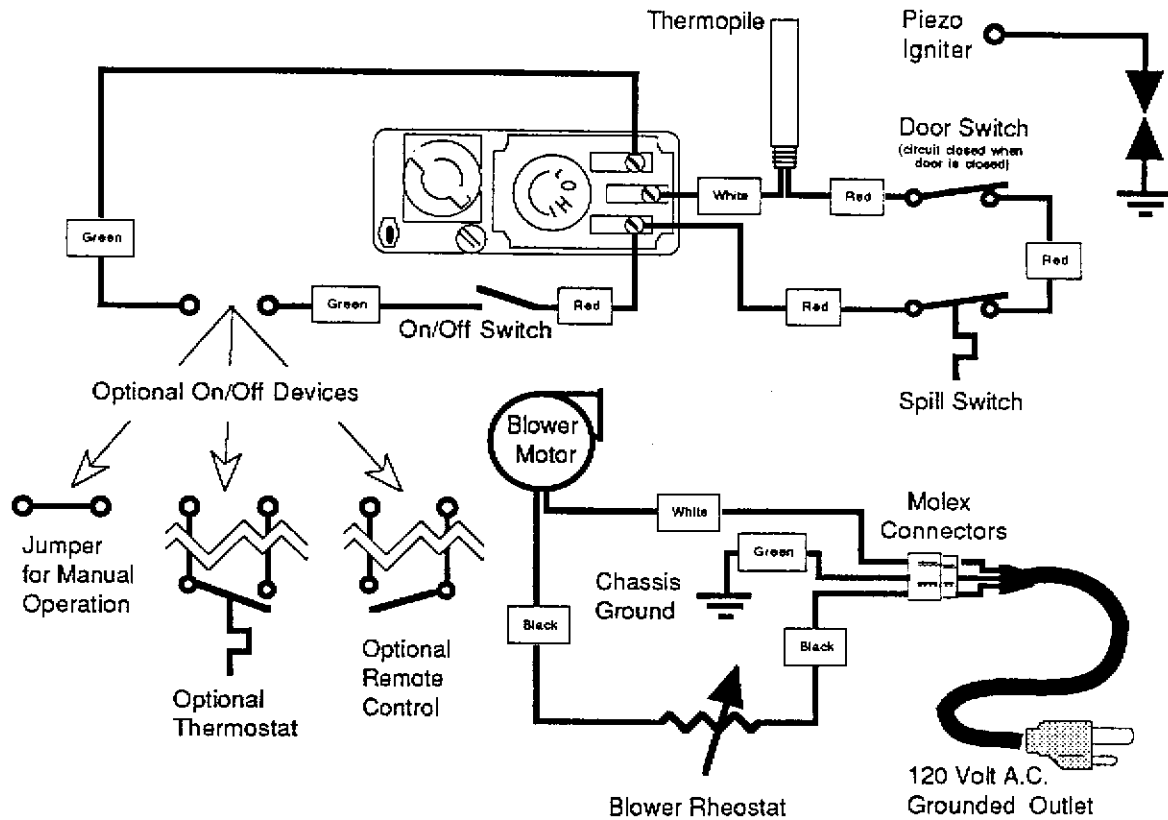
There is a thermopile directly next to the pilot light which can sense if the pilot is still lit. If the pilot goes out, this thermopile will no longer generate electricity which will cause the gas valve to automatically shut off all gas to the unit. This prevents the pilot light from spilling gas into the firebox.

While the main burner is on

The pilot light insures that the gas ignites inside the firebox, and that no gas builds up. In the unlikely case of the flue blocking, there is a spillage sensor located on the draft hood which will sense any backdrafts or over-heating. This sensor will signal the gas valve to shut off all gas to the unit if the flue is blocked. Furthermore, if the door is opened, a sensor will signal the gas valve to shut off all gas to the unit, preventing the flue products from leaking into the room.



Wiring Diagram



Replacement Parts

Front ember strip, front and rear log	Door Gasket
Glass (includes gasket)	Glass Gasket
Burner Pan	Gas Control Valve
Blower	Wiring Harness
Flexible Gas Tube (includes elbow)	Shutoff Valve
Manifold with Orifices	On/Off Switch
Blower Rheostat	Pilot Assembly (without thermopile)
Thermopile	Piezo Igniter
Door Switch	Spill Switch

WARRANTY

TRAVIS INDUSTRIES, INC. warrants the AVALON 700-NG natural gas heater to be defect-free in material and workmanship for five (5) years from the date of purchase, with the exception of the electrical components, fans, gaskets, refractory, burner pan, ceramic fiber logs and moving parts. This does not include service call cost or any other additional charges. Check with your dealer for all costs if arranging a warranty call. The exceptions listed are warranted for one (1) year from the date of purchase to be defect-free in material and workmanship.

Exclusions to this limited warranty include: Injury malfunction to the product, loss, damage, defect, failure to function due to accident, negligence, misuse, improper installation, alteration or adjustment of the manufacturers settings of components, lack of proper and regular maintenance, damage incurred while the unit is in transit, alteration, or act of God.

This limited warranty excludes damage caused by normal wear and tear, such as paint discoloration or chipping, worn or torn gasketing, eroded or cracked refractory, etc. Also excluded is damage to the unit caused by abuse, improper installation, the use of fuel other than (natural gas) specified by the manufacturer or use not set forth in the Owner's Manual. *An overfired condition will cause warped metal parts and discolored or burned-off paint.*

TRAVIS INDUSTRIES, INC. is free of liability for any damages caused by the unit, as well as inconvenience expenses, material and labor charges incurred by the removal or reinstallation of any AVALON 700-NG unit. Incidental or consequential damages are not covered by this warranty. In some states, the exclusion of incidental or consequential damage may not apply.

This warranty does not cover any loss or damage incurred by the use or removal of any component or apparatus to or from the AVALON 700-NG unit without the express written permission of TRAVIS INDUSTRIES, INC. and bearing a TRAVIS INDUSTRIES, INC. label of approval.

Any statement or representation of AVALON 700-NG products and their performance contained in AVALON 700-NG advertising, packaging literature, or printed material is not part of this limited warranty.

This warranty is automatically voided if the unit's serial number has been removed or altered in any way.

Only the original purchaser of an Avalon 700-NG heater is covered by this warranty. If the unit is used for commercial purposes, it is excluded from this warranty.

No dealer, distributor, or similar person has the authority to represent or warrant AVALON 700-NG products beyond the terms contained within this warranty. TRAVIS INDUSTRIES, INC. assumes no liability for such warranties or representations.

THIS LIMITED WARRANTY IS THE ONLY WARRANTY SUPPLIED BY TRAVIS INDUSTRIES, INC., THE MANUFACTURER OF THE UNITS. ALL OTHER WARRANTIES, WHETHER EXPRESS OR IMPLIED, ARE HEREBY EXPRESSLY DISCLAIMED AND PURCHASER'S RECOURSE IS EXPRESSLY LIMITED TO THE WARRANTIES SET FORTH HEREIN.

This warranty is limited to the time frame set forth above. In some states, time limitations on warranties do not apply.

HOW TO USE YOUR AVALON 700-NG FIVE-YEAR WARRANTY: If you find your unit to be defective in workmanship or material within a 5-year period from the date of purchase contact your local authorized AVALON 700-NG dealer. If your dealer is unable to repair your unit's defect, he may process a warranty claim through TRAVIS INDUSTRIES, INC., including the name of the dealership where you purchased the unit, a copy of your receipt showing the date of the unit's purchase, and the serial number on your unit. At that time, you will be asked to ship your unit, freight charges prepaid, to TRAVIS INDUSTRIES, INC. TRAVIS INDUSTRIES, INC., at its option, will repair or replace, free of charge, your AVALON 700-NG unit if it is found to be defective in material or workmanship within the time frame stated within this limited warranty. TRAVIS INDUSTRIES, INC. will ship your unit, freight charges prepaid by TRAVIS INDUSTRIES, INC., to your regional distributor, or dealership.

To register your TRAVIS INDUSTRIES, INC. Five-Year Warranty, complete the enclosed warranty card and mail it within ten (10) days of the unit purchase date to: TRAVIS INDUSTRIES, INC., 10850 117th Place N.E., Kirkland, Washington 98033.

OTHER RIGHTS:

This warranty provides you with certain legal rights. You may have additional rights, which vary from state to state, in regards to this warranty.

Unit Serial Number _____

Date of Purchase _____



Dealer Name and Address _____

Complete and
save for your
records

Travis Industries, Inc. reserves the right to change, without notice, product features or specifications described.



Below is a copy of the two labels included with your heater.

	<h3>Avalon 700 NG</h3> <p>Listed Gas-Fired Vented Room Heater</p> <p>Tested to ANSI Z21.11.1-1991 Gas-Fired Vented Room Heaters (Report # 6677 - Sept. 1993) Must be installed in accordance with all local codes, if any; if not, follow ANSI Z223.1 and the requirements listed in the accompanying owner's manual.</p>	<div style="border: 1px solid black; padding: 5px; width: fit-content; margin: 0 auto;"> WH- </div>
<p>This unit is equipped for use with NATURAL GAS ONLY.</p>		
<p>Natural Gas Specifications:</p> <p>Maximum Input Rating (BTU/Hr).....31,000 Minimum Input Rating (BTU/Hr)18,000 Front Burner Orifice (DMS).....#53 Rear Burner Orifice (DMS).....#43</p> <p>Pressure Specifications:</p> <p>Manifold Pressure HI Setting (in W.C./kPA).....3.5/ .87 Manifold Pressure LO Setting (in W.C./kPA)1.0/ .25 Minimum Inlet Pressure (in W.C./kPA)5.5/ 1.37</p>	<p>Minimum Clearance to Combustibles</p> <p>Unit to Sidewall10 " Unit to Backwall3 " Unit to Cornerwall4 " Alcove Minimum Width43-5/8 " Alcove Minimum Height58 " Alcove Maximum Depth45 " Mantle Height Above Unit17-1/2 " Front of Unit.....36 "</p> <p>Minimum Floor Protection At least .018" thick underneath the unit.</p>	
<p>Blower Electrical Rating: 115 Volts, 1.5 Amps, 60 Hz. FAN TYPE VENTED CIRCULATOR</p>		
<p>WARNING:</p> <p>Operation of this heater when not connected to a properly installed and maintained venting system or tampering with the vent safety shutoff system can result in carbon monoxide (CO) poisoning and possible death.</p> <p>Improper installation, adjustment, alteration, service or maintenance can cause injury or property damage. Refer to the information in the owner's manual provided with this appliance. For assistance or additional information consult a qualified installer, service agency or the gas supplier.</p> <p>Risk of electrical shock. Disconnect power before servicing unit.</p> <p>Do not route power cord beneath heater when installed as an insert.</p>		
<p>Manufacture <input type="checkbox"/> 1993 <input type="checkbox"/> Jan. <input type="checkbox"/> May <input type="checkbox"/> Sep.</p> <p>Date: <input type="checkbox"/> 1994 <input type="checkbox"/> Feb. <input type="checkbox"/> Jun. <input type="checkbox"/> Oct.</p> <p> <input type="checkbox"/> 1995 <input type="checkbox"/> Mar. <input type="checkbox"/> Jul. <input type="checkbox"/> Nov.</p> <p> <input type="checkbox"/> 1996 <input type="checkbox"/> Apr. <input type="checkbox"/> Aug. <input type="checkbox"/> Dec.</p>	<p>Made in the U.S.A.</p>  <p>Travis Industries, Inc. 10850 117th Pl. N.E. Kirkland, WA 98033</p>	
<p>DO NOT REMOVE THIS LABEL</p>		

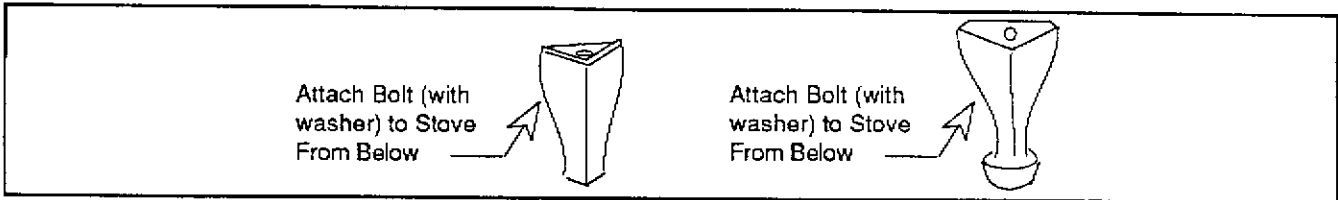
WARNING:

- Due to high surface temperature, keep children, clothing and furniture away.
- Keep burner and control compartment clean. See installation and operating instructions accompanying this appliance.
- This appliance needs fresh air for safe operation and must be installed so there are provisions for adequate combustion and ventilation air.

Stove Legs

There are three different stove legs available for your gas heater: cast brass; cast black; and, black steel. The instructions for installing the legs are the same for each type of leg.

Raise the stove by inserting some pieces of lumber in the middle of the stove to a height of about 8". Line up the hole in the top of the leg with the threaded bolt hole in each corner of the stove bottom. Using a 9/16" open end or socket wrench, fasten the leg to the stove with the supplied attachment bolts and washers, making sure the legs are flush with the corners of the stove. Unscrew the leveling bolts enough so the stove will rest on the upper tips, not the metal portion of the legs. Lower the stove down.

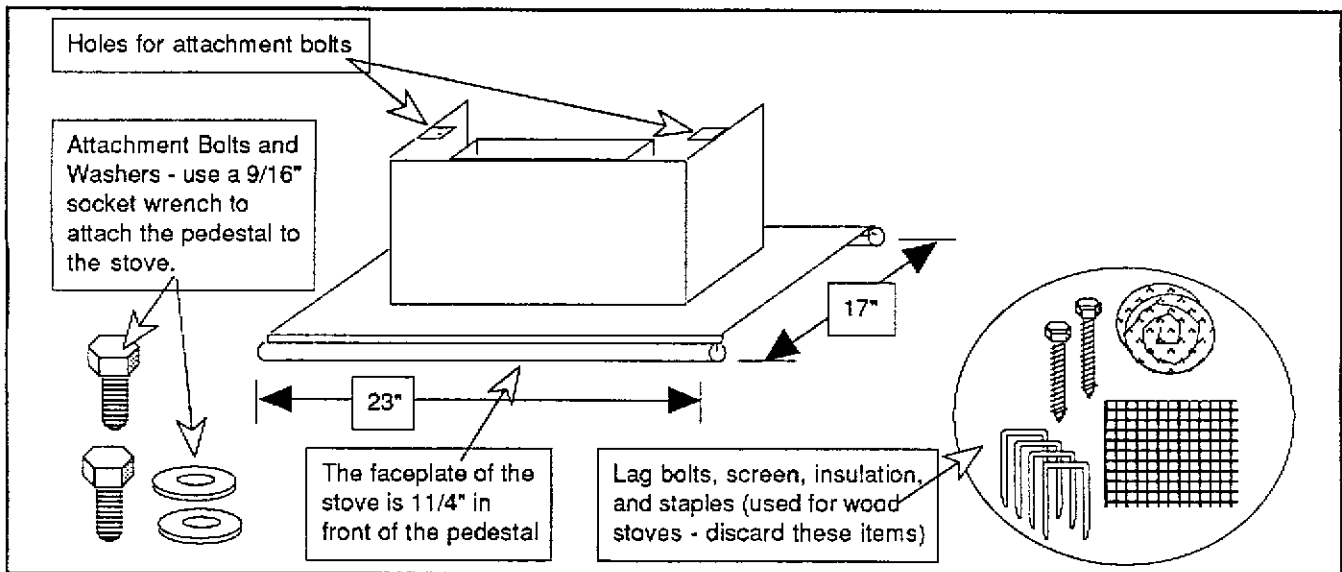


To level the stove, lift the stove up and unscrew each leveling bolt the appropriate amount. The rubber tips of the leveling bolts will tear if they are adjusted while weight is applied to them.

Pedestal

Unpack the box containing the pedestal and check for any damage. Report any damage to your dealer.

Slide the wood trim included with the pedestal on to the front and back edge of the pedestal so it lines up from side to side. Place the pedestal in place and lift the stove on top of it. Line up the threaded bolt holes in the bottom of the stove with the two holes on the tabs on the inside edge of the pedestal (see the illustration below). Using a 9/16" socket wrench, fasten the pedestal to the stove with the supplied bolts and washers.



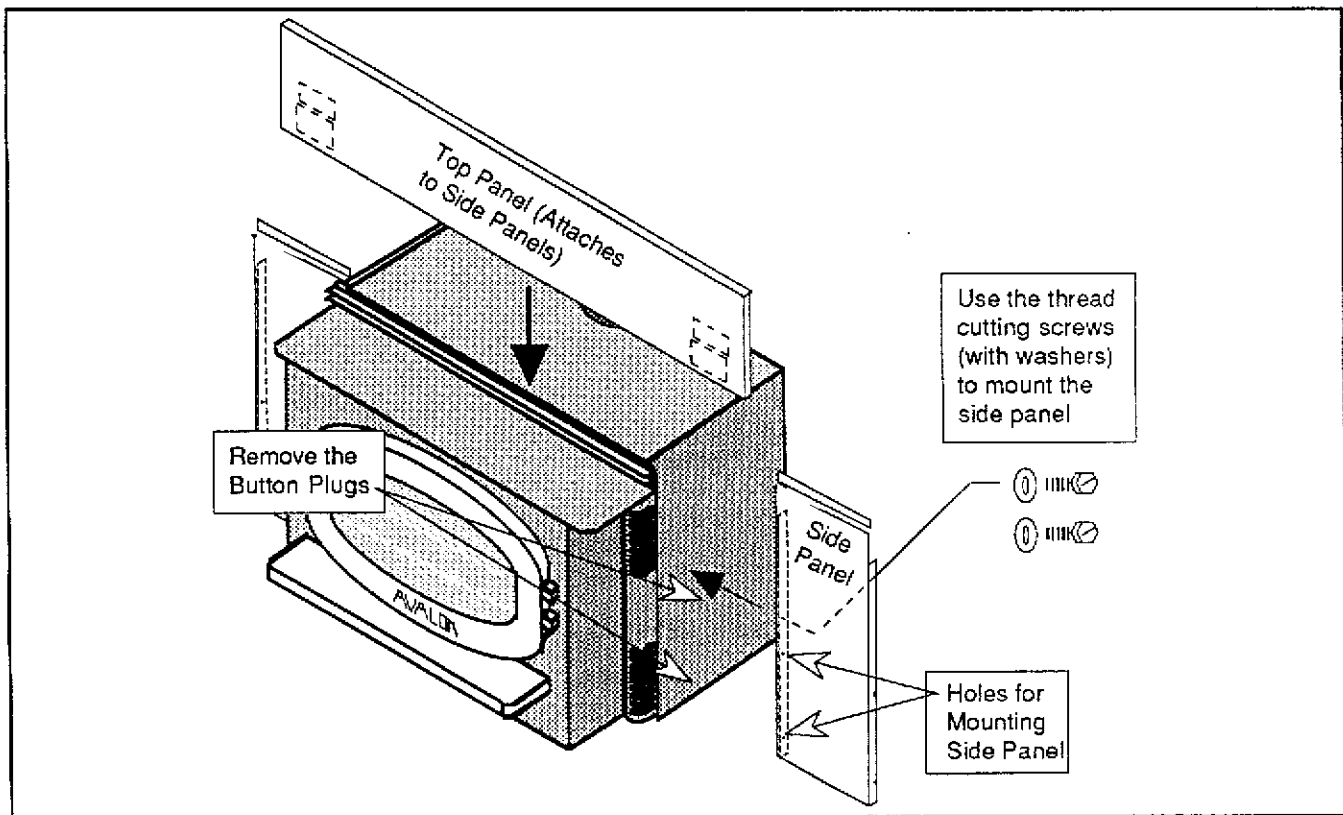
Surround Panels

The panels for the 700 NG are purchased separately from the heater and are available in three sizes. The table below details the finished size of the panels once they are installed. Make sure to purchase the panels that will cover the fireplace opening in both height and width.

<u>Size of Panels</u>	<u>Height</u>	<u>Width</u>
8"	28"	40"
10"	30"	44"
12"	32"	48"

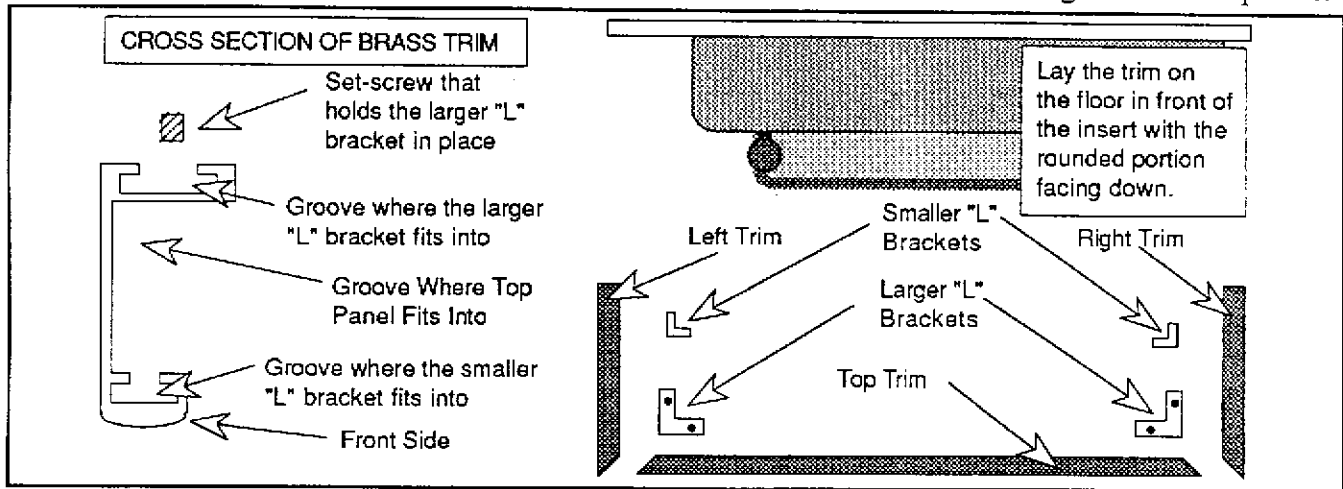
The panels should be installed after the insert is in place and connected to the vent. First route the power cord out so it exits through the lower outside front corner of the fireplace opening (do not route the power cord under the unit). Follow the directions below to install.

1. Remove the two button plugs from each side of the insert with a screwdriver (see the illustration below).
2. Using a 5/16" nutdriver, screw the thread-cutting screws into the four holes exposed by removing the button plugs. The holes are now pre-threaded, remove the screws.
3. Place one of the side panels against the side of the insert, lining up the slots in the panel with the threaded holes in the side of the insert. Attach the panel with the thread-cutting screws, leaving the screws loose enough to adjust the side panel. Repeat for the other side.
4. Slide the top panel onto the offset on top of the side panels. The top panel has joggle clips that hold the top panel in place against the side panels. The best way to insert the top panel is to hold it at an angle and insert one side first and gradually lower it until the opposite side is inserted. Adjust the top panel so its edges are flush with the side edges of the side panels.
5. Adjust the position of the side panels so they are: 1) flush with the bottom of the insert; 2) both the same distance back from the front of the insert; 3) perpendicular to the floor. Then tighten the screws to secure the panels.



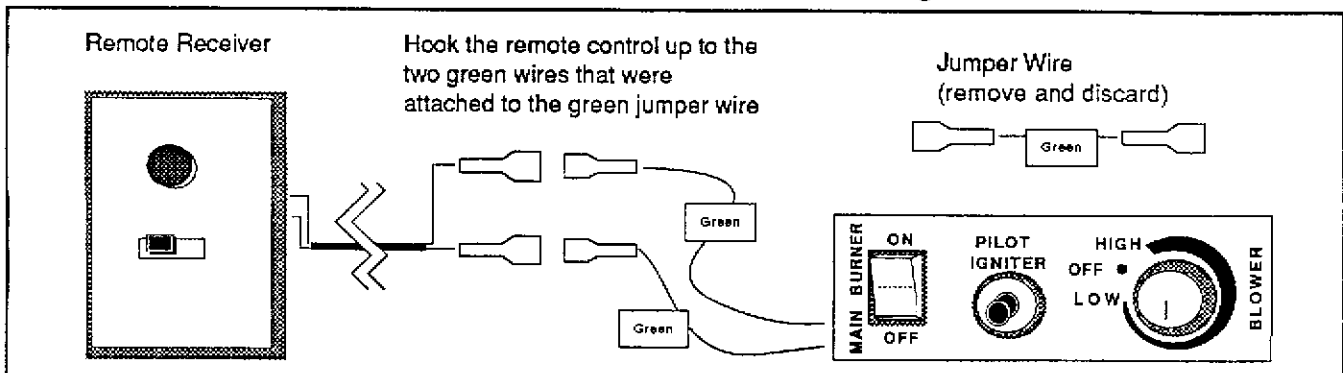
Surround Panels (Continued)

6. After the panels are in place, the trim can then be installed (the trim is optional). Place the rounded edge of the trim that will be facing outwards when installed face down (see the illustration below). Insert one small and one large "L" bracket into the grooves in the 45° cut end of each side piece. Slide the other leg of each "L" bracket into the groove in each end of the top piece. Tighten the set-screw into the groove in the larger "L" brackets, insuring that the 45° cuts are butted together to form a neat joint. Pick up the brass trim and slide it over the panels until the bottom of the trim is flush with the bottom edge of the side panels.

**Optional Remote Control**

The optional remote control allows the heater to be turned on and off from within the room without having to open the access panel and turn the heater on. Follow the directions below to install.

1. With the heater off, locate the jumper wire behind the on/off switch. This jumper wire is green and has two male quick-connects attached. Remove this jumper wire and attach the remote receiver wire to the quick-connects that were attached to the jumper. Feed the wire out of the heater, either through the side of the control housing or out the rear access hole (next to the gas inlet).
2. Determine the location of the remote receiver. It is best to find a location that is accessible and not next to a sound source. Feed the wire to the receiver and attach it to the two terminals on the back of the remote receiver. Place the remote receiver in place. Make sure to place a fresh battery in the receiver.
3. Place a fresh battery inside the remote control. Make sure to leave the ON/OFF switch on. Test the remote control before finalizing the installation.



Optional Thermostat

The optional thermostat allows the heater to be turned on and off depending on the room air. Follow the directions below to install.

1. With the heater off, locate the jumper wire behind the on/off switch. This jumper wire is green and has two male quick-connects attached. Remove this jumper wire and attach the thermostat wire to the quick-connects that were attached to the jumper. Feed the wire out of the heater, either through the side of the control housing or out the rear access hole (next to the gas inlet).
2. Determine the location of the thermostat. It is best to find a location that is centrally located in the room. Feed the wire to the thermostat and attach it to the two terminals on the back of the thermostat. Place the thermostat in place.
3. Turn the ON/OFF switch on. Test the thermostat by switching it to its highest and lowest position before finalizing the installation.

