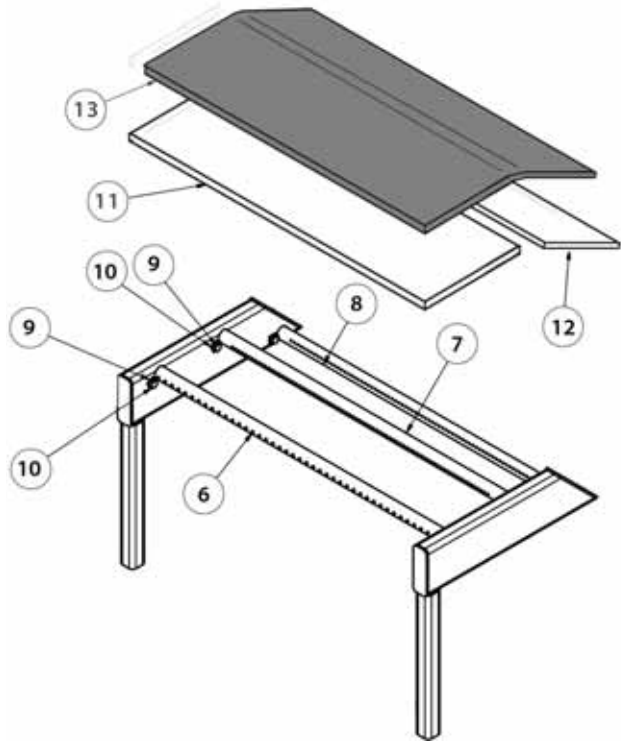


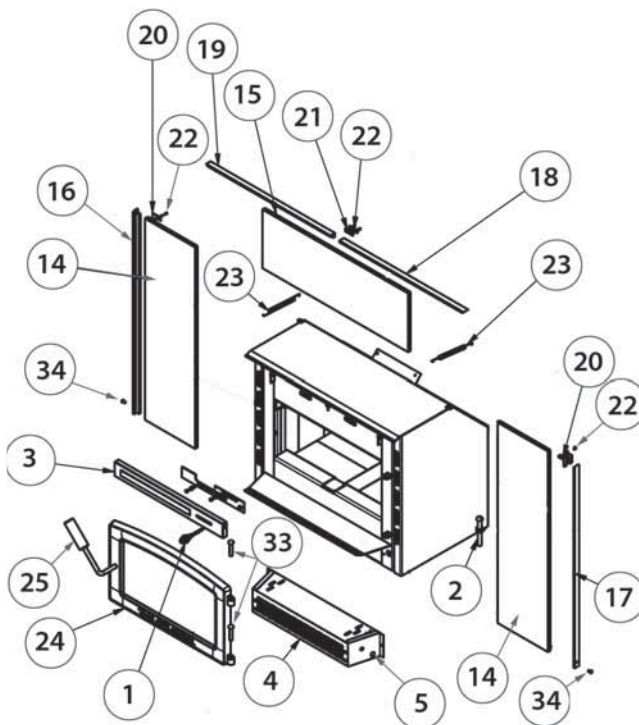
# PARTS - TR004 COLONIAN HIGH-EFFICIENCY INSERT

When ordering missing or replacement parts, **always give the Model Number of the insert, Part Number, and Part Description.** Use the illustrations and part lists provided to identify parts.

Contact us at **616-396-1911** to order parts.



Ref. No. Qty.	Part No.	Description
01	04-01	Draft Control Lever..... 1
02	04-02	Screw, Rear Leveling Adj. .... 2
03	04-03	Intake Vent Cover..... 1
04	F-5	Blower..... 1
05	SC-01	Variable Speed Control..... 1
06	04-06	Air Tube, Front..... 1
07	04-07	Air Tube, Middle..... 1
08	04-08	Air Tube, Rear..... 1
09	04-09	Retainer Clip, Air Tubes..... 3
10	04-10	Screw, Retainer Clip..... 3
11	04-11	Fiberboard Baffle, Front..... 1
12	04-12	Fiberboard Baffle, Rear..... 1
13	04-13	Fiber Blanket..... 1
-	A	Fire Brick 9"x 4 1/2"..... 5
-	M	Fire Brick 9"x 2 1/4"..... 1
-	R	Fire Brick 9"x 3 3/8"..... 2
-	S	Fire Brick 1 1/4"x 2 1/4"..... 1
-	T	Fire Brick 9"x 3 1/3"..... 6
14	04-14	Face Plate, Side..... 2
15	04-15	Face Plate, Top..... 2
16	04-16	Trim, Left Side..... 1
17	04-17	Trim, Right Side..... 1
18	04-18	Right Trim, Top..... 1
19	04-19	Left Trim, Top..... 1
20	04-20	Corner Bracket..... 2
21	04-21	Center Bracket..... 1
22	04-22	Screw, Trim Brackets..... 6
23	04-23	Spring..... 2
34	HP-04	Hardware Pack..... 1

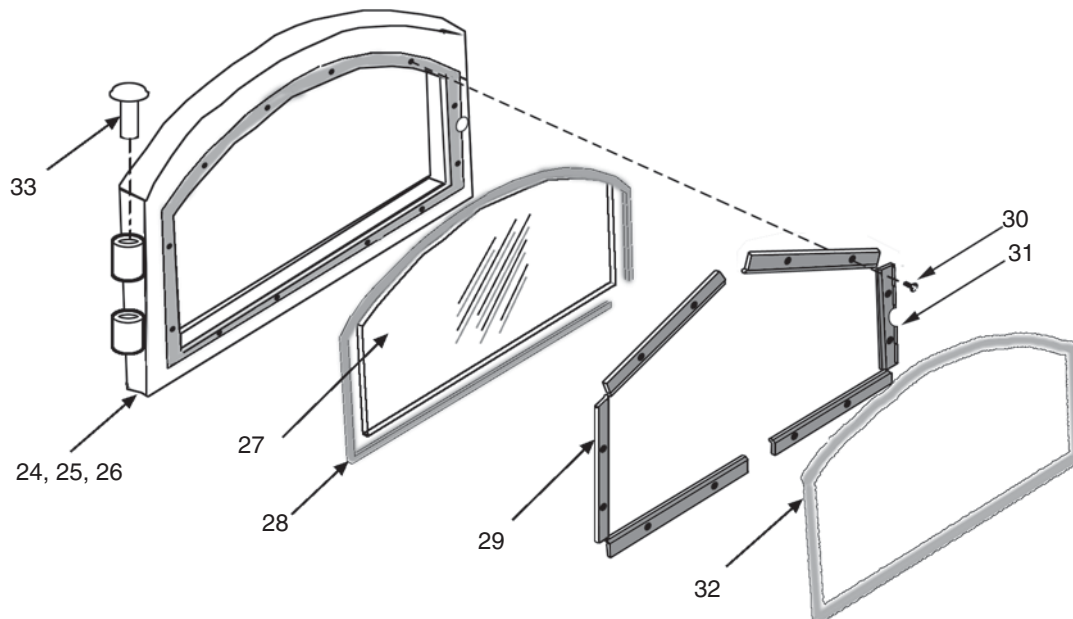


*parts list continued on next page*

# PARTS - TR004 COLONIAL HIGH-EFFICIENCY INSERT

When ordering missing or replacement parts, **always give the Model Number of the insert, Part Number, and Part Description.** Use the illustrations and part lists provided to identify parts.

Contact us at **616-396-1911** to order parts.



Ref. No.	Part No.	Description	Qty.
24	04-24	<b>Door Assembly (complete)</b> .....	1
25	04-25	Handle Assembly (complete) .....	1
26	04-26	Door Frame (only) .....	1
27	04-27	Door Glass .....	1
28	WG01	Gasket, 7/8" Fiberglass Glass .....	1
29	04-29	Retainer, Glass.....	5
30	04-30	Screws, Glass Retainer.....	8
31	04-31	Retainer, Glass, Handle Side .....	1
32	GK34	Gasket, Door .....	1
33	04-33	Hinge Pin.....	2

## WIRING DIAGRAM - COLONIAL F-5 BLOWER

