

# Owner's Manual

- April, 1997 -

- Freestanding B-Vent Stove
- Natural Gas or Propane

ANSI Z21.11.1-1991  
CAN/CGA 1-2.19-M88 and 2.17M91

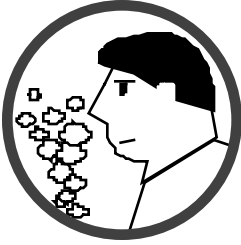
**WARNING:** If the information in this manual is not followed exactly, a fire or explosion may result causing property damage, personal injury or loss of life.

- Do not store or use gasoline or other flammable vapors and liquids in the vicinity of this or any other appliance.
- **WHAT TO DO IF YOU SMELL GAS**
  - Do not try to light any appliance.
  - Do not touch any electrical switch; do not use any phone in your building.
  - Immediately call gas supplier from a neighbor's phone. Follow the gas supplier's instructions.
  - If you cannot reach your gas supplier, call the fire department.
- Installation and service must be performed by a qualified installer, service agency or the gas supplier.

## Heritage Bay B-Vent Gas Stove

 **Travis Industries, Inc.**  
10850 117th Place N.E. Kirkland, WA 98033

 **OMNI** Listed

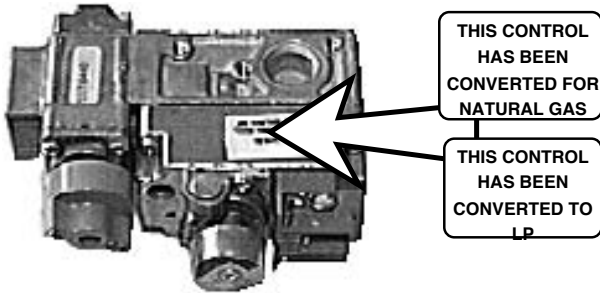


**IF YOU SMELL GAS:**

- \* **Do not light any appliance**
- \* **Extinguish any open flame**
- \* **Do not touch any electrical switch or plug or unplug anything**
- \* **Open windows and vacate building**
- \* **Call gas supplier from neighbor's house, if not reached, call fire department**



- This unit must be installed by a qualified installer to prevent the possibility of an explosion. Your dealer will know the requirements in your area and can inform you of those people considered qualified. The room heater should be inspected before use and at least annually by a qualified service person. More frequent cleaning may be required due to excessive lint from carpeting, bedding material, etc.
- The instructions in this manual must be strictly adhered to. Do not use makeshift methods or compromise in the installation. Improper installation will void the warranty and safety listing.



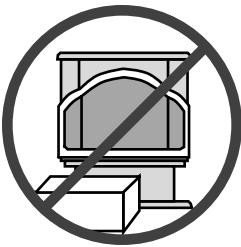
- This heater is either approved for natural gas (NG) or propane (LP). Burning the incorrect fuel will void the warranty and safety listing and may cause an extreme safety hazard. Check the label above the gas control valve to make sure it matches the fuel being used. Direct questions about the type of fuel used to your dealer.



- Contact your local building officials to obtain a permit and information on any installation restrictions or inspection requirements in your area. Notify your insurance company of this heater as well.



- If the flame becomes sooty, dark orange in color, or extremely tall, do not operate the heater. Call your dealer and arrange for proper servicing.



- It is imperative that control compartments, screens, or circulating air passageways of the heater be kept clean and free of obstructions. These areas provide the air necessary for safe operation.



- Do not operate the heater if it is not operating properly in any fashion or if you are uncertain. Call your dealer for a full explanation of your heater and what to expect.



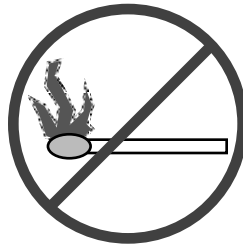
- Do not store or use gasoline or other flammable liquids in the vicinity of this heater.
- Keep all furniture or other combustible items at least 36" away from the front of the heater.



- Do not operate if any portion of the heater was submerged in water or if any corrosion occurs.



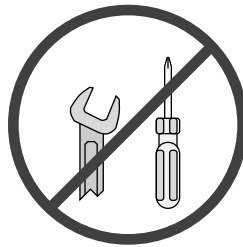
- Do not place clothing or other flammable items on or near the heater. Because this heater can be controlled by a thermostat there is a possibility of the heater turning on and igniting any items placed on or near it.



- Light the heater using the built-in piezo igniter. Do not use matches or any other external device to light your heater.



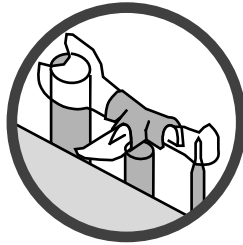
- The viewing glass should be opened for service only (see the maintenance section of this manual).
- Any safety screen or guard removed for servicing must be replaced prior to operating the heater.



- Never remove, replace, modify or substitute any part of the heater unless instructions are given in this manual. All other work must be done by a trained technician. Don't modify or replace orifices.



- Operate the heater according to the instructions included in this manual.
- If the main burners do not start correctly turn the gas off at the gas control valve and call your dealer for service.



- Allow the heater to cool before carrying out any maintenance or cleaning.
- The pilot flame must contact the thermopile and thermocouple (see the illustration to the left). If it does not, turn the gas control valve to "OFF" and call your dealer.



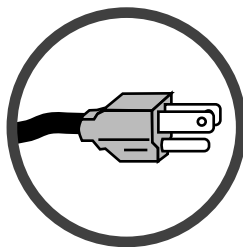
- This unit is not for use with solid fuel
- Do not place anything inside the firebox (except the included fiber logs).
- If the fiber logs become damaged, replace with Travis Industries log set.



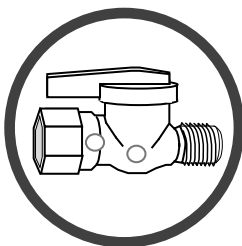
- Do not throw this manual away. This manual has important operating and maintenance instructions that you will need at a later time. Always follow the instructions in this manual.



- Do not touch the hot surfaces of the heater. Educate all children of the danger of a high-temperature heater. Young children should be supervised when they are in the same room as the heater.



- Plug the heater into a 120V grounded electrical outlet. Do not remove the grounding plug.
- Don't route the electrical cord in front of, over, or under the heater



- Instruct everyone in the house how to shut gas off to the appliance and at the gas main shutoff valve. The gas main shutoff valve is usually next to the gas meter or propane tank and requires a wrench to shut off.



- **Travis Industries, Inc. grants no warranty, implied or stated, for the installation or maintenance of your heater, and assumes no responsibility of any consequential damage(s).**

**Introduction & Important Info.** ..... 1

**Safety Precautions** ..... 2

**Features & Specifications** ..... 5

- Installation Options ..... 5
- Heating Specifications ..... 5
- Dimensions ..... 5
- Fuel, Emissions, Electrical ..... 5

**Stove Installation**

- Installation Preparation ..... 6
- Items Required for Installation ..... 6
- Items Packed with the Heritage Bay ..... 6
- Order of Installation ..... 6
- Stove Clearances ..... 6
- Stove Placement Requirements ..... 7
- Floor Protection Requirements ..... 7
- Gas Line Installation ..... 7
- Vent Requirements ..... 8
- Vent Termination Requirements ..... 9
- Electrical Connection ..... 9

**Finalizing the Installation**

- Door Opening ..... 10
- Log, Twig, and Ember Installation ..... 11
- Leak Test the Gas Line ..... 12
- Pilot Flame Inspection ..... 12
- Air Shutter Adjustment ..... 12
- Flame Inspection ..... 12
- Explain Heater Operation to Owner ..... 12

**Operating Your Heater**

- Before You Begin ..... 13
- Location of Controls ..... 13
- Starting The Pilot Flame ..... 14
- Starting the Heater for the First Time ..... 15
- Turning the Heater On and Off ..... 15
- Adjusting the Flame Height ..... 15
- Adjusting the Blower Speed ..... 16
- Normal Operating Sounds ..... 16

**Maintaining Your Heater**

- Cleaning Your Heater ..... 17
- Yearly Service Procedure ..... 17
- Adjusting the Door ..... 18

**Troubleshooting**

- Troubleshooting Table ..... 19
- How this Heater Works ..... 20
- Wiring Diagram ..... 21

**Warranty** ..... 22

**Listing Information** ..... 23

**Optional Equipment**

- LP Conversion ..... 24
- Thermostat Installation ..... 28
- Remote Control Thermostat ..... 29

**Index** ..... 30

---

**Symbols Used in this Manual**

The illustration below details what the symbols used along the left margin indicate.



## Installation Options:

- Freestanding
- Residential Only  
(not for Mobile Homes)
- Class A Chimney Retrofit

## Features:

- Works During Power Outages (millivolt system)
- High Efficiency; Up to 79% for Natural Gas, 80% for LP (Steady State)
- Optional Thermostat or Remote Control
- Realistic "Wood Fire" Look
- Convenient Operating Controls
- Variable-Rate Heat Output
- Quiet Blower for Effective Heat Distribution
- Low Maintenance

## Heating Specifications:

Approximate Heating Capacity (in square feet)\*  
 High Burn Input Rate (In BTU's)  
 Low Burn Input Rate (In BTU's)  
 Efficiency\*\*  
 AFUE (Annual Fuel Utilization Efficiency)

### Natural Gas

1,200 - 2,000  
 40,000  
 23,700  
 up to 80 %  
 68 %

### LP (Propane)

1,200 - 2,000  
 40,000  
 23,000  
 up to 80 %  
 68 %

\* Heating capacity will vary with the home's floor plan and insulation, natural gas or Propane BTU rating, and outside temperature.

\*\* Efficiency rating is a product of thermal efficiency rating determined under continuous operation independent of installed system. To measure the net BTU's, multiply the BTU input by the efficiency percentage.

## Dimensions:

## Fuel:

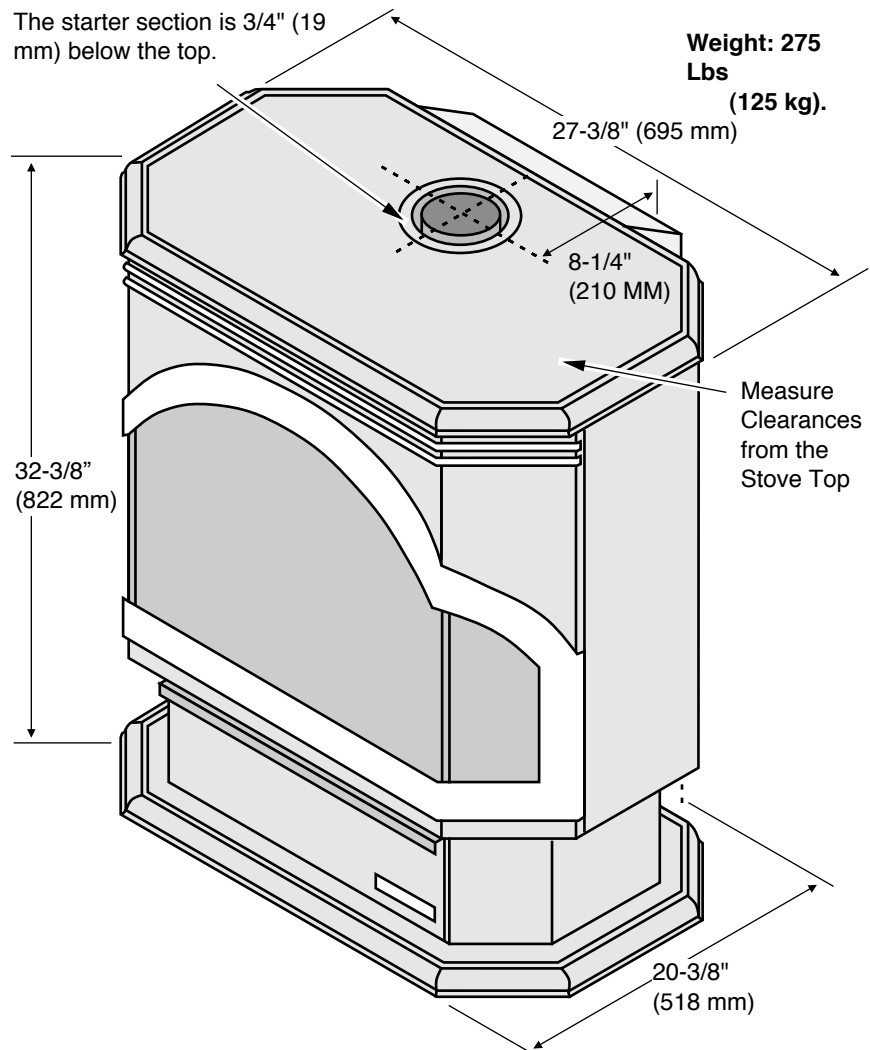
The heater is designed either for natural gas or for propane. Check the sticker on top of the gas control valve.

## Emissions:

This unit has passed the ANSI emission standards for vented room heaters as tested by OMNI Environmental Services, Inc.

## Electrical Specifications:

120 Volts, 1.3 Amps, 60 Hz (150 watts on high)



### **Installation Preparation**

- ! This appliance must be installed in accordance with all local codes, if any; if not, follow ANSI Z223.1 and the requirements listed in this manual. Failure to follow all of the requirements may result in property damage, bodily injury, or even death.
- ! Notify your insurance company before hooking up this heater.
- ! The requirements listed below are divided into sections. All requirements must be met simultaneously. The order of installation is not rigid – the qualified installer should follow the procedure best suited for the installation.

### **Items Required for Installation**

- B-Vent System
- Gas Hookup Equipment

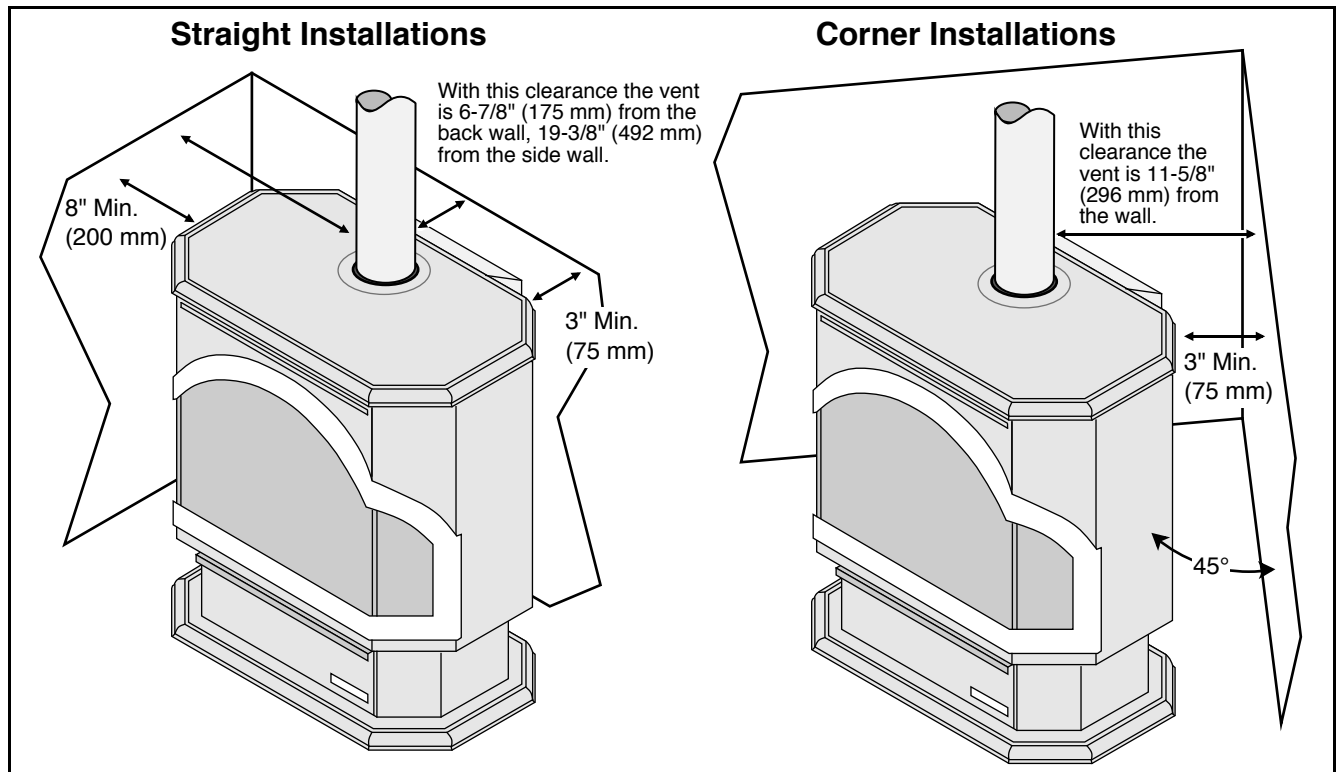
### **Items Packed with the Heritage Bay**

- Propane Conversion Kit
- Log Set (2 Logs, 2 Twigs, Embers)

### **Order of Installation**

- 1 If using propane, follow the conversion instructions on page 24
- 2 Position the heater, use floor protection if needed
- 3 Connect the gas line. Connect the gas vent.
- 4 Follow the instructions under "Finalizing the Installation" on pages 10 through 12

### **Stove Clearances**



**Stove Placement Requirements**

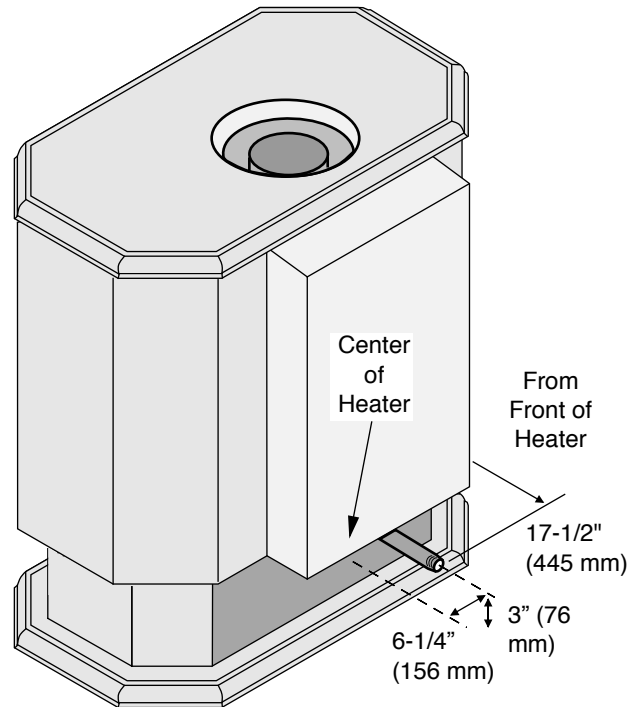
- Heater must be installed on a level surface capable of supporting the heater and vent
- Due to the high temperature of the heater, it should be located out of traffic and away from furniture and draperies. Heater must be placed so no combustibles are within, or can swing within 36" (910 mm) of the front of the heater (e.g. drapes, doors)
- ? When placed in a location where the floor to ceiling height is under 7 feet (2130 mm), the installation is considered an alcove and must meet the following requirements:
  - The alcove floor to ceiling height must be at least 60" (1520 mm) tall
  - The alcove must not be more than 48" (1220 mm) deep before the ceiling returns to 7' (2130 mm)
  - The alcove must be at least 43-3/8" (1100 mm) wide
- The heater must not be placed so the vents below or above the door, along the sides of heater, or along the back of the heater can become blocked.

**Floor Protection**

- When the stove is installed directly on carpeting, vinyl or other combustible material other than wood flooring, the stove must be installed on a metal or wood protection panel extending the full width and depth of the heater (Minimum 27-3/8" (695 mm) wide by 20-3/8" (518 mm) deep ).

**Gas Line Installation**

- ! The gas line must be installed in accordance with all local codes, if any; if not, follow ANSI Z223.1 and the requirements listed below.
- ! The heater and gas control valve must be disconnected from the gas supply piping during any pressure testing of that system at test pressures in excess of 1/2 psig (3.45 kPa). For pressures under 1/2 psig (3.45 kPa), isolate the gas supply piping by closing the manual shutoff valve.
- This heater is designed for natural gas but can be converted to propane. Check the sticker on the top of the gas control valve to make sure the correct fuel is used.
- Leak test all gas line joints and the gas control valve prior to and after starting the heater.
- The gas inlet accepts a 3/8" F.P.T. Fitting
- The location of the gas inlet is shown below
- A manual shutoff valve is required for installation (it must be located within 3' (910 mm) of the heater)



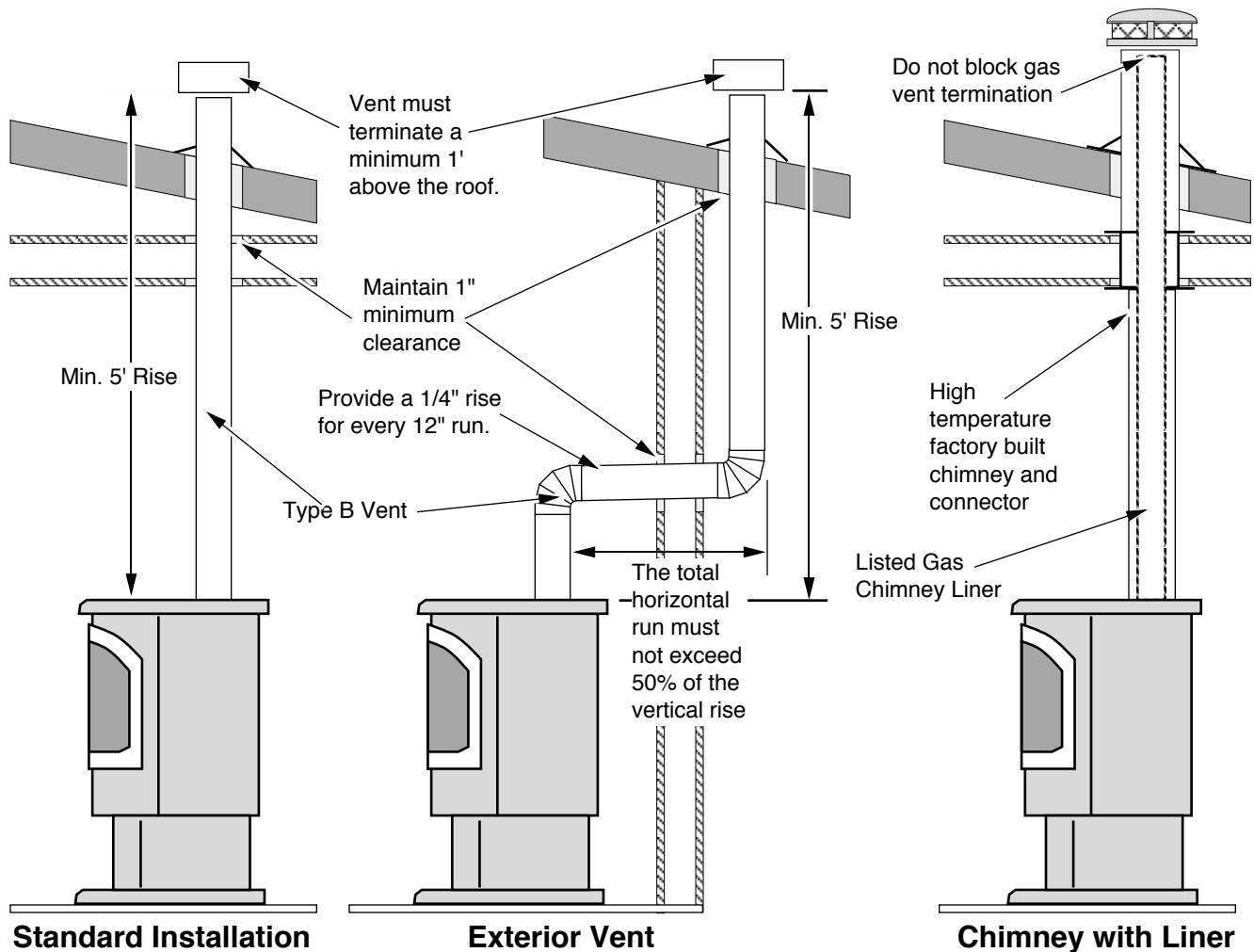
**Gas Inlet Pressure**

- With the heater off, the inlet pressure must meet the requirements listed in the table below
- ? If the pressure is not sufficient, make sure the piping used is large enough and the total gas load for the residence does not exceed the amount supplied.
- ? The supply regulator (the regulator that attaches directly to the residence inlet or to the propane tank) should supply gas at the suggested input pressure listed below. Contact the local gas supplier if the regulator is at an improper pressure.

	<b>Standard Input Pressure</b>
<b>Natural Gas</b>	7" W.C. (1.74 Kpa)
<b>Propane</b>	11" W.C. (2.73 Kpa)

## Vent Requirements

- ! Always maintain the required 1" clearance (air space) to combustible materials to prevent a fire hazard. Do not fill air spaces with insulation.
- ! The gas appliance and vent system must be vented directly to the outside of the building, and never be attached to a chimney serving a separate solid fuel or gas-burning appliance.
- Minimum 5' vertical rise from top of stove (see the illustration below)
- When the vent passes through a wall, a wall thimble is required. When the vent passes through a ceiling, a support box or firestop is required. When the vent passes through the roof, a roof flashing and storm collar are required. Follow the instructions and requirements provided with the vent when installing.
- The horizontal run may not exceed 50% of the vertical rise



- Use 4" dia. B vent for entire system from one manufacturer (don't mix brands)

- or -

Use high temperature factory built or masonry chimney with listed gas chimney liner running the entire length

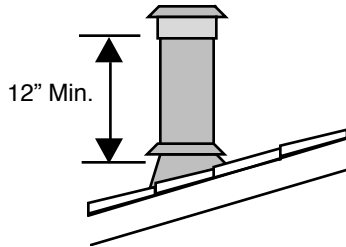
- Vent termination must be above the roof and not below any eaves or overhangs

<b>Drafting Performance</b>	This appliance relies upon natural draft to operate. External forces, such as wind, barometric pressure, topography, or factors of the home (negative pressure from exhaust fans, chimneys, air infiltration, etc.), may adversely affect draft. Travis Industries can not be responsible for external forces leading to less than optimal performance.
-----------------------------	---



## **Vent Termination Requirements**

- Vent termination must have an approved cap (to prevent water from entering)
- Vent termination must not be located where it will become plugged by snow or other material
- Vent termination must be 1' above the roof **and** meet the requirements outlined in ANSI Z223.1, section 7.6.2.



**Note:** ANSI 223.1, section 7.6.2 outlines additional requirements for gas vent terminations. If your installation involves a roof with a slope greater than 6/12 or if a wall or other vertical obstruction is within 8' of the vent termination, the vent termination will need to be taller. Refer to ANSI 223.1 for full details.

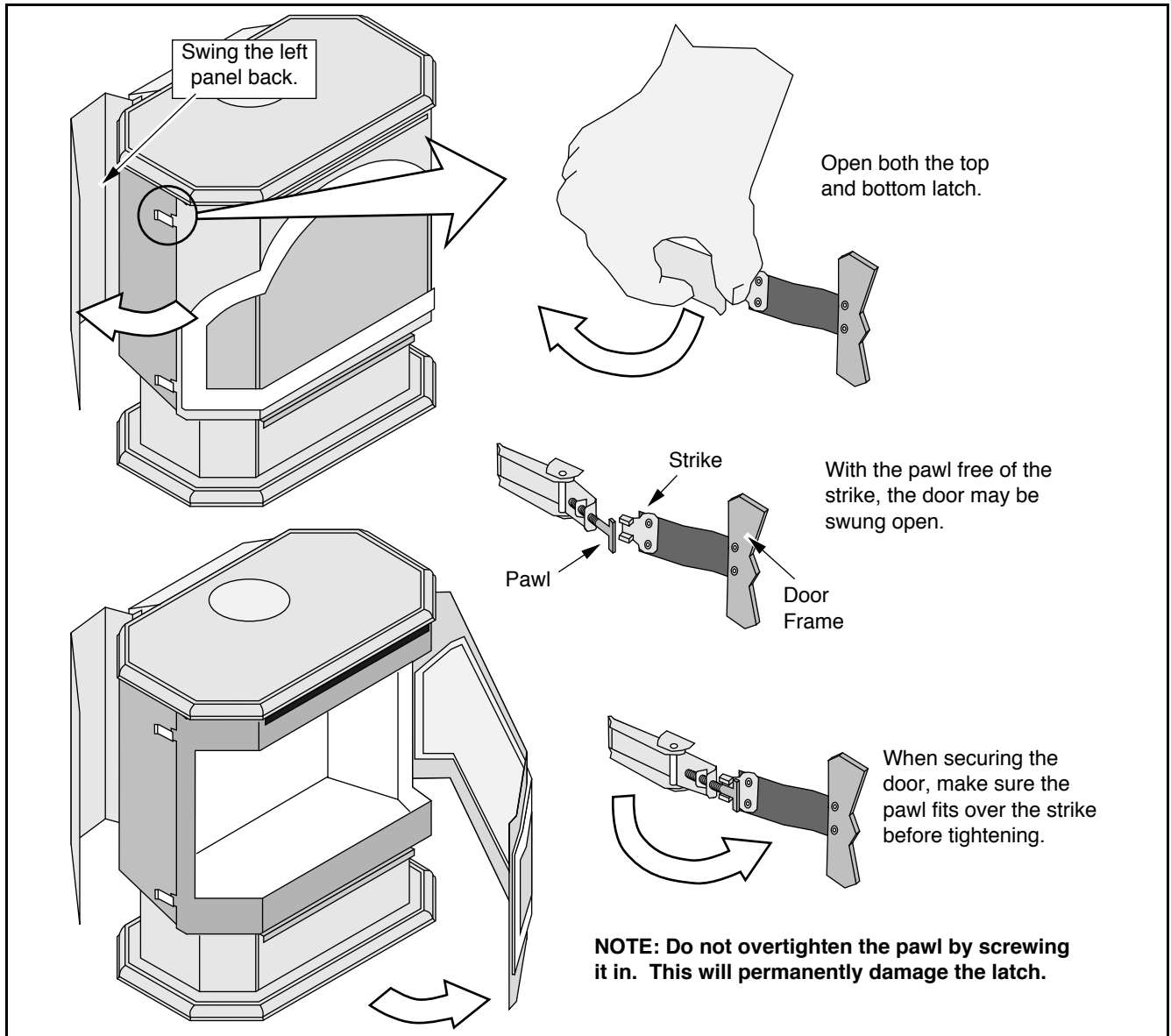
- ! When installed, the vent must provide suitable draft for the appliance. Other factors, such as exhaust fans, may create negative pressure inside the home and cause down drafts. Additional vent height may be required in these circumstances.

## **Electrical Connection**

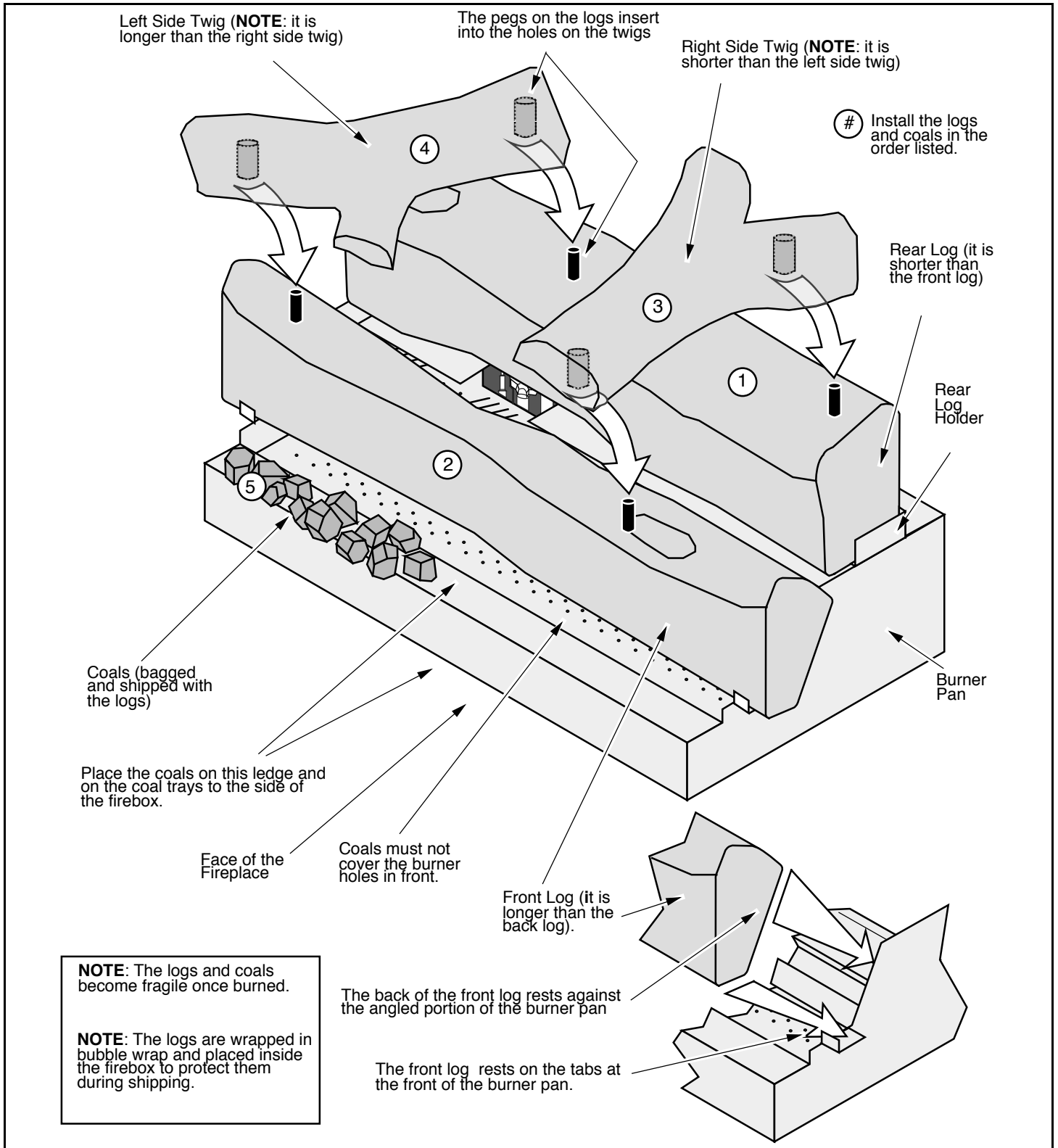
- Plug the power cord into a grounded 110 Volt outlet (do not remove the grounding plug).

! Turn the gas control valve to "OFF" prior to conducting any service.

1 Open the door following the instructions below.



**2** Install the log set and coals.

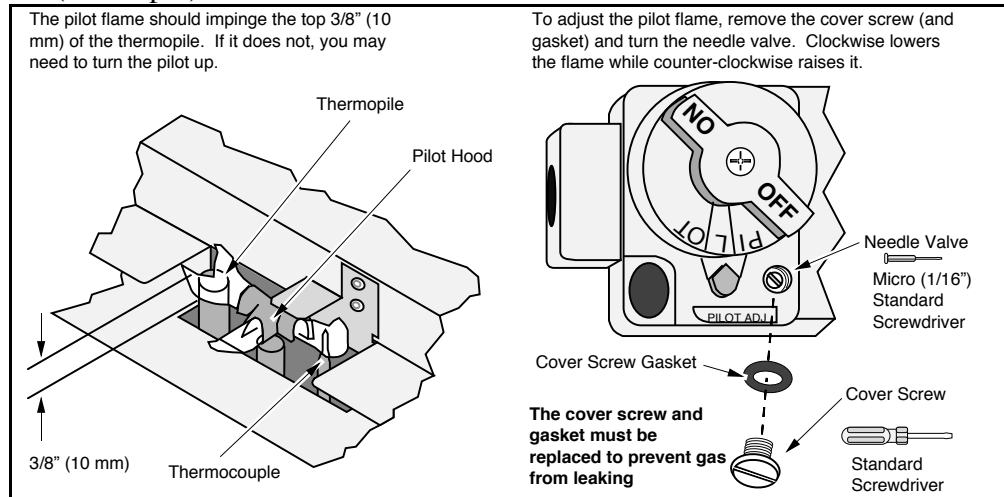


**!** We recommend you purge the gas line at this time (with the door open). This allows gas to be detected once it enters the firebox, ensuring gas does not build up.

3 Close and secure the door (see step 1).

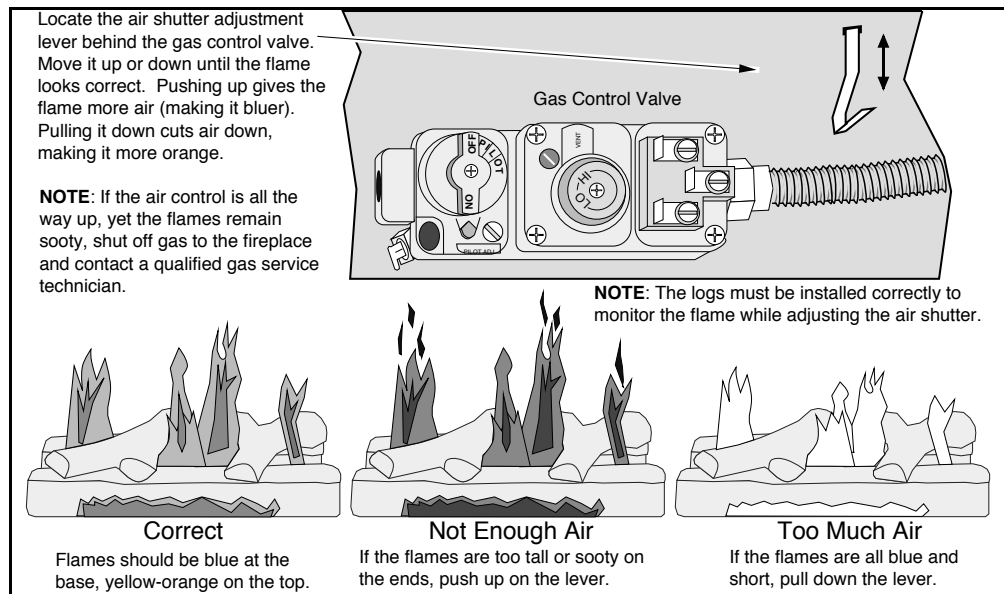
4 Turn on gas to the heater. Leak test all gas joints prior to starting the appliance. Start the pilot. Start the main burner. Leak test all gas joints again.

5 Check the pilot flame to make sure it looks like the illustration to the right. Adjust the pilot flame if necessary.



6 Let the heater burn for fifteen minutes. Adjust the air shutter, if necessary, to achieve the correct looking flame (see the illustration to the right).

The air shutter adjusts the amount of air that mixes with the gas before it exits the burner holes. It is used to fine-tune the flame for differences in altitude and vent configuration.



! If the air shutter is in its fully open position, yet the flames remain sooty, shut off gas to the heater and contact your dealer for a remedy.

7 Ensure the heater establishes a draft. If the heater unexpectedly shuts off 5 to 25 minutes after starting, the heater may not be drafting. The cause: negative pressure. Typically, re-starting the heater five minutes after the shutoff will overcome the negative pressure and establish a draft. However, if this does not work, you may wish to open a door or window near the heater. This will allow in enough air in to overcome any negative pressure. Once drafting is initiated, the heater will work properly without having to re-start the heater or allow in outside air. This is due to the heat generated by the pilot.

**Possible Causes of Negative Pressure:**

- Exhaust fans (Jenn-Aire type fans in kitchens, bathroom fans)
- Vent termination located near a down draft or against prevailing winds
- Internal home pressure characteristics (multiple fireplaces, etc...)

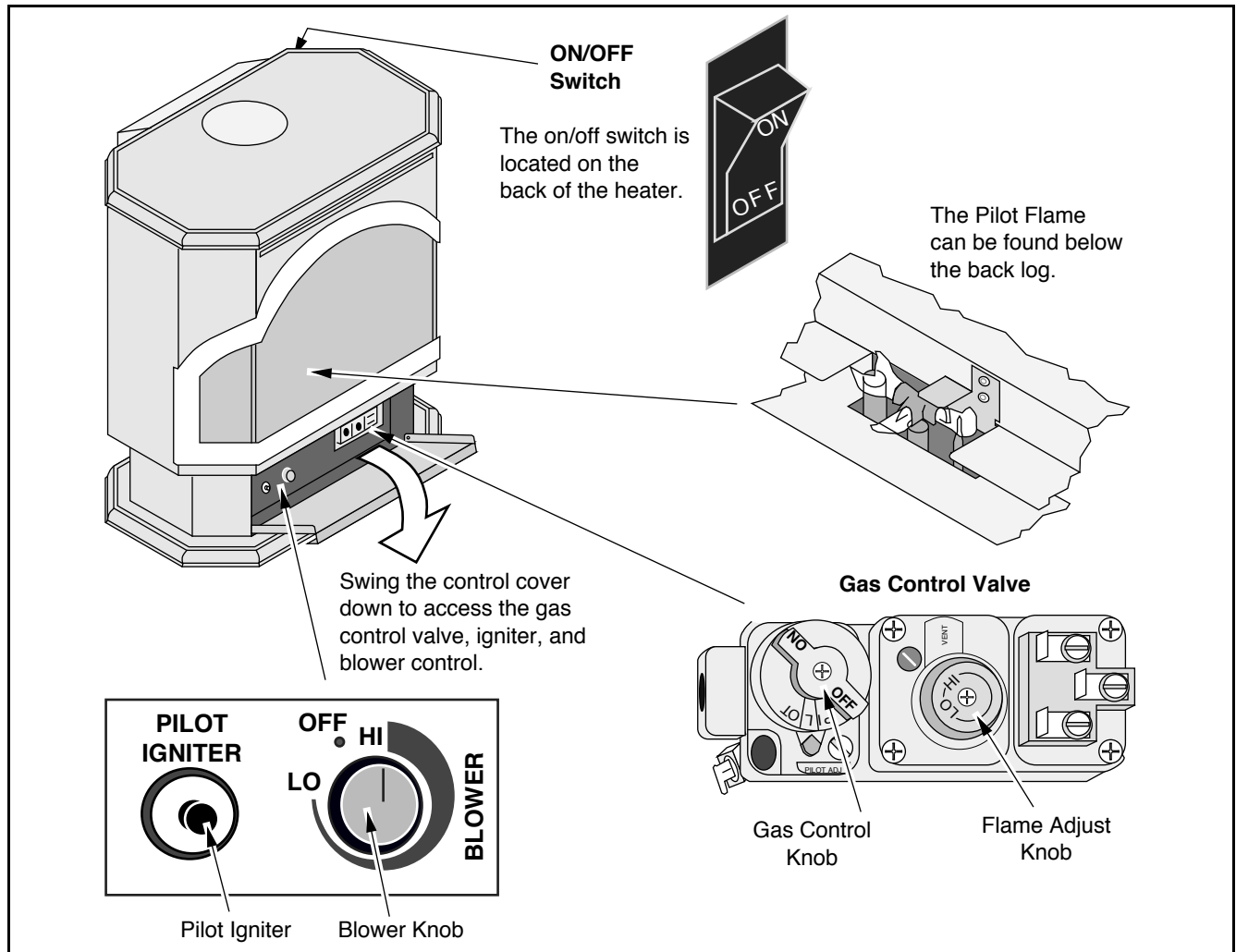
8 Turn the flame adjust knob to its highest position - the flames should be approximately 12" tall. Check the flame on low position. The flames should burn off of each burner hole. If the heater does not work correctly, contact your dealer for a remedy.

9 Give this manual to the home owner and fully explain the operation of this heater.

**Before You Begin**

! Read this entire manual before you use your new heater (especially the section "Safety Precautions" on pages 2 & 3). Failure to follow the instructions may result in property damage, bodily injury, or even death.

**Location of Controls - See explanation below**



**On/Off Switch**

This control is used to turn the main burner on and off.

**Gas Control Knob**

This knob is used to control gas to the heater and for starting the pilot. There are three positions, ON, OFF, & PILOT. The pointer directly below the knob indicates the position this knob is in.

**Flame Adjust Knob**

This knob controls the flame height from low ("LO") to high ("HI"). The pointer to the upper left of the knob points to the position this knob is in.

**Pilot Igniter**

The pilot igniter is used only to start the pilot. When pressed, it sends an electrical charge to the pilot assembly. This creates a blue spark directly next to the pilot, igniting the pilot flame.

**Blower Knob**

This knob controls the speed of the internal convection blower that pushes the heated air into the room.

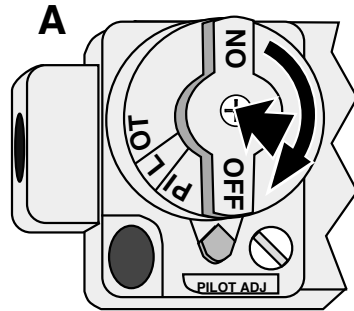
? If using a remote control or thermostat, the On/Off Switch must be left "ON". Turning the On/Off Switch "OFF" will keep the heater off always.

**Starting The Pilot Flame**

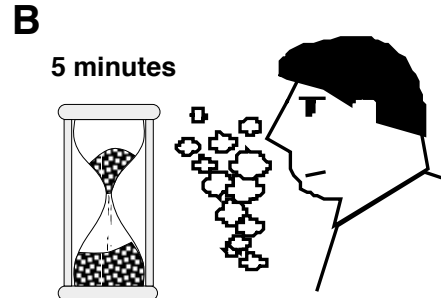
The pilot flame is required to ignite the main burners (it also plays a safety role). It should be left on once lit. It will stay lit unless the gas control valve is turned to "OFF". However, the pilot will go out if the gas is shut off or if the stove malfunctions. If the pilot turns off frequently, call your dealer for information. To start the pilot follow the directions below:

**NOTE: IF YOU'RE TRYING TO RE-LIGHT THE PILOT BECAUSE SERVICE WAS PERFORMED ON THE UNIT (I.E. GAS LINE REMOVED THEN RE-INSTALLED OR BECAUSE TANK RAN OUT OF GAS), FOLLOW THE INSTRUCTIONS FOR OPENING THE DOOR AND REMOVING THE LOGS ON PAGES 10 AND 11 THEN BLEED THE GAS LINE.**

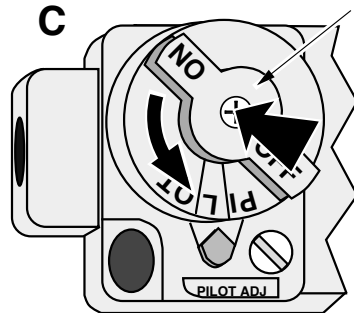
**A** Push the gas control knob in slightly and turn it to the "OFF" position. The knob will not turn from "ON" to "OFF" unless the knob is depressed slightly.



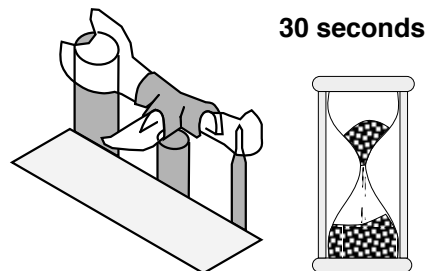
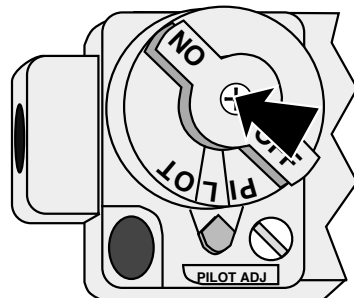
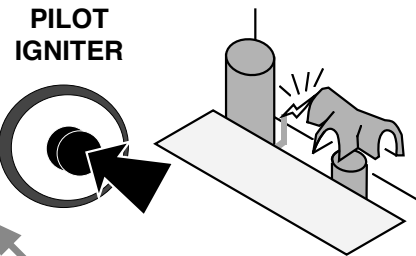
**B** Wait five minutes to let any gas that may have accumulated inside the firebox escape. If you smell gas, follow the directions on the cover "IF YOU SMELL GAS".



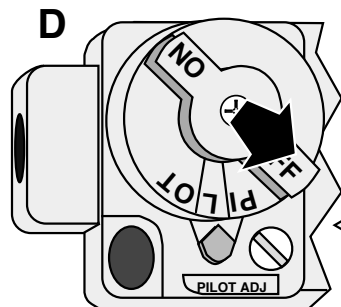
**C** Turn the gas control knob to the "PILOT" position and press the knob in, this will allow gas to flow to the pilot light. Press the red button on the pilot igniter repeatedly until you see the pilot light. **KEEP THE GAS CONTROL KNOB DEPRESSED FOR 30 SECONDS ONCE IT IS LIT. NOTE: IF THE PILOT DOES NOT LIGHT AFTER 15 SECONDS, RELEASE THE KNOB AND CALL YOUR DEALER FOR SERVICE.**



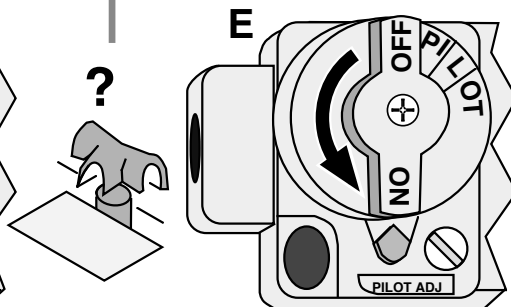
**Do not press knob in for more than 15 seconds if pilot does not light. Call Your Dealer For Service**



**D** Release the gas control knob. If the pilot goes out, repeat step C. If the pilot refuses to stay lit, call your dealer for service.



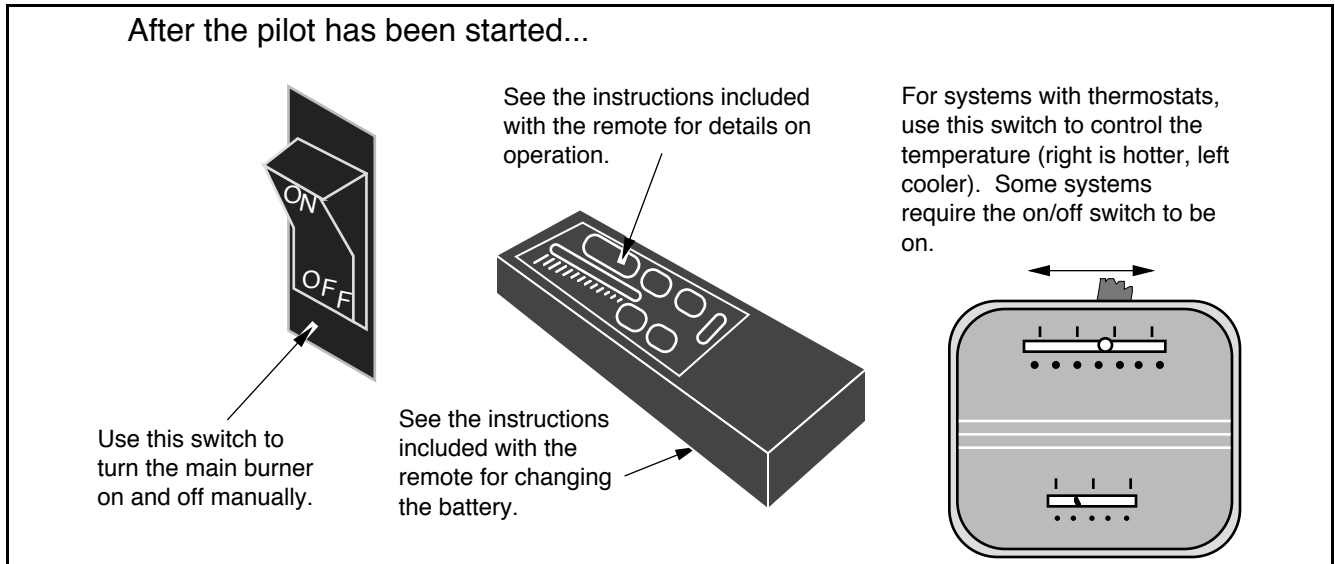
**E** Turn the gas control knob counter-clockwise to "ON". The pilot is now lit and the stove can be turned on and off.



### Starting the Heater for the First Time

- + **Fumes** and smoke from the paint curing and oil burning off the steel may occur the first time you start your heater. This is normal. We recommend you open windows to vent the room.
- + **Condensation** may appear on the glass each time you start the heater - this is normal.
- + **Blue Flames** will occur on the heater when it first comes on. After fifteen minutes the flames will turn a more realistic yellow and orange color.
- ? Certain installations use a remote "wall switch" to turn the heater on and off. If this is the case, leave the ON/OFF switch "ON".

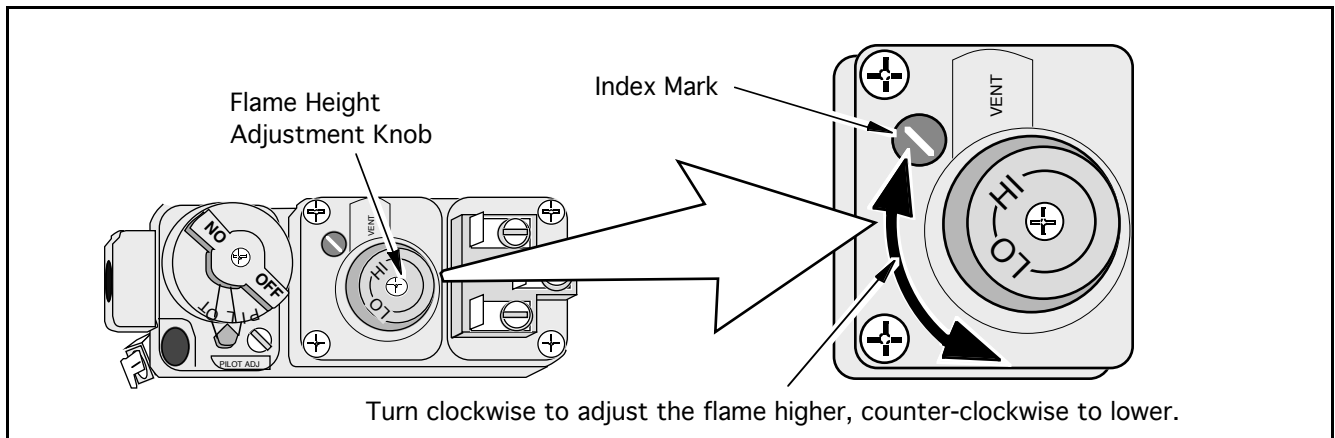
### Turning the Heater On and Off



- ! Do not place any combustible items on top of or directly in front of the heater, even temporarily. The optional thermostat may start the heater causing a combustible item to ignite.
- ? If the heater turns on and off frequently while using the thermostat, you may want to adjust the flame height down until it produces just enough heat needed.

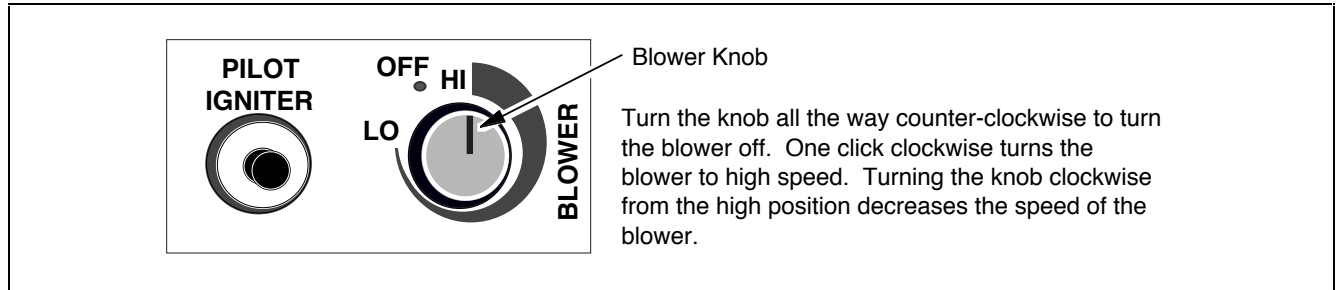
### Adjusting the Flame Height

- + Your heater has an adjustable flame to tailor the look and heat output to your specific needs. It is adjusted by turning the middle dial on the gas control valve.

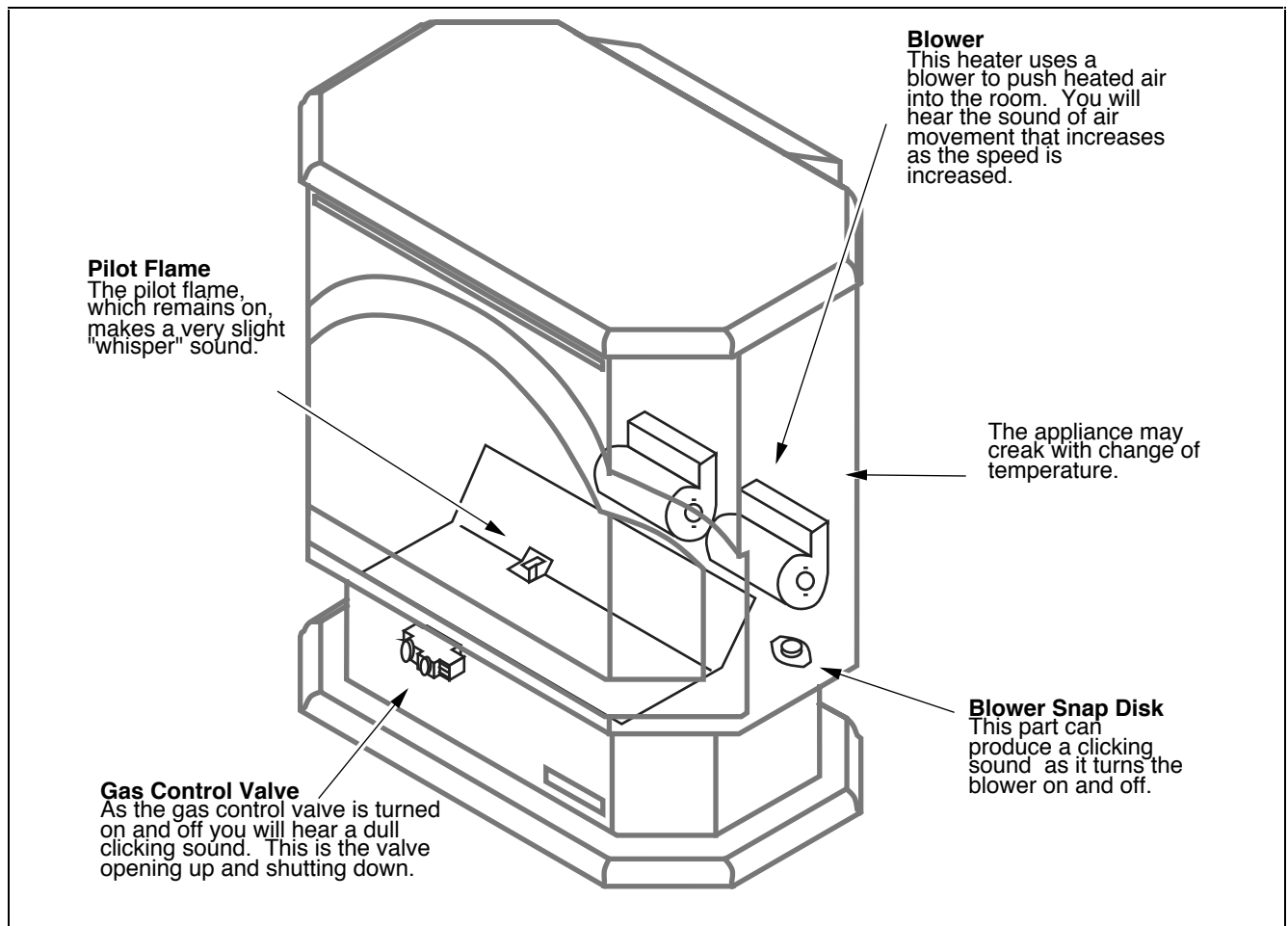


### **Adjusting the Blower Speed**

- + The blower helps transfer the heat from the heater into the room. It will not turn on until the heater is up to temperature (approximately 10 minutes after starting). See the illustration below for instructions on adjusting the blower speed.



### **Normal Operating Sounds**



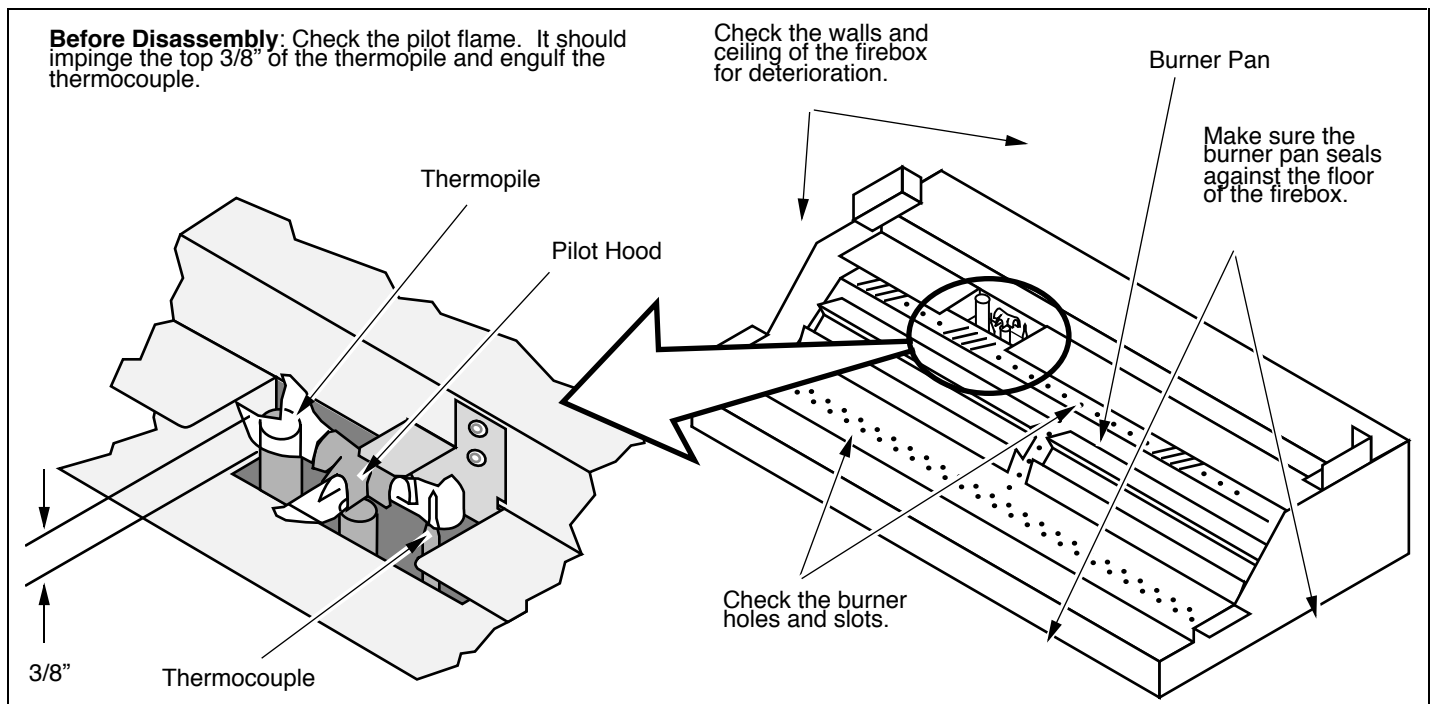


## Cleaning Your Heater

- ! Fingerprints or other marks left on the gold surfaces may become etched in place if they are not wiped clean prior to turning the stove on. Clean the gold with denatured alcohol and a soft cloth.
- With the heater cool, use denatured alcohol and a soft cloth to clean gold surfaces. Other cleaners may leave a film that may become etched into the gold.

## Yearly Service Procedure

- ! Failure to inspect and maintain the heater may lead to improper combustion and a potentially dangerous situation. We recommend the following procedures be done by a qualified technician.
  - 1 Check the pilot flame. It should engulf approximately 3/8" of the top of the thermocouple (see illustration below). If it does not, contact your dealer for service.
  - 2 Shut off gas to the heater by turning the gas control knob to "OFF" (see step A under "Starting the Pilot" on page 14). Let the heater cool for 15 minutes. Open the door (see page 10).
  - 3 Remove the logs, twigs and embers (see page 11 - **NOTE: the logs are fragile**). If any log is cracked or deteriorated, replace it when re-installing. Check the logs for sooting. A small amount of soot along the bottom of the logs is normal. If excessive sooting is found, the heater will require adjustment. Contact your dealer.
  - 4 Clean the burner pan (especially in the burner holes and slots) and inspect the following:
    - Check for burner pan holes that are cracked, severely warped, or corroded.
    - Make sure the burner pan assembly fits flat against the floor of the firebox.
    - Check the firebox and area around the pilot to make sure there is no warping or damage.
- If any problem is found, discontinue use and contact your dealer for service.

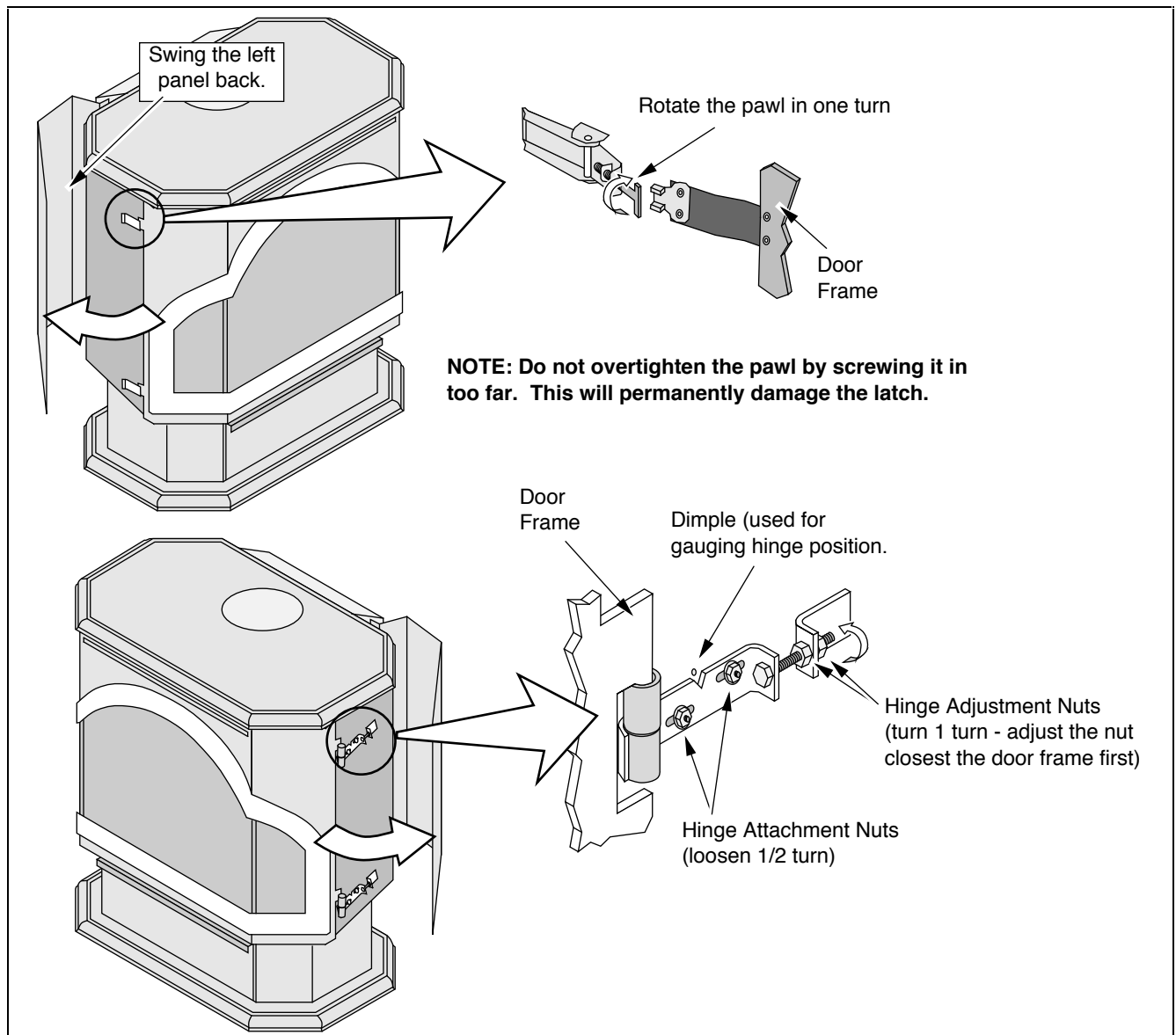


- 5 Replace the log set. Inspect the glass gasket. If it is deteriorated, replace. It may be re-attached to the glass using high-temperature gasket cement. If the glass is damaged, replace it.
- 6 Check the gas control valve and all of the gas lines. If any damage is found, discontinue use and contact your dealer for service.

- 7 To check the door seal, place a dollar bill along the door perimeter then close and latch the door. If the dollar bill is held in place securely, the door seal is adequate. However, if the dollar bill slides out easily, you should adjust the door. See the directions below to tighten the door seal.

**To tighten the door seal:**

- Open the door (see page 10).
- Tighten each door latch pawl one turn.
- Close and latch the door. Open up the right side panel. Loosen the two attachment nuts on each hinge assembly 1/2 turn. Adjust both adjustment nuts on each hinge assembly 1 turn to bring the hinge closer to the rear of the heater (Note: the dimple above the hinge assembly can be used to gauge hinge location). Re-tighten the attachment nuts.
- Check the door seal again. If it is still not tight, repeat the above three steps.



- 8 Start the pilot and turn on the main burner. The flames should be orange/yellow and not touch the top of the firebox. If the pilot or main burners do not burn correctly, contact your dealer for service. Monitor the blower operation.
- 9 Remove any debris or vegetation near the vent termination. Contact your dealer if any sooting or deterioration is found near the vent termination.

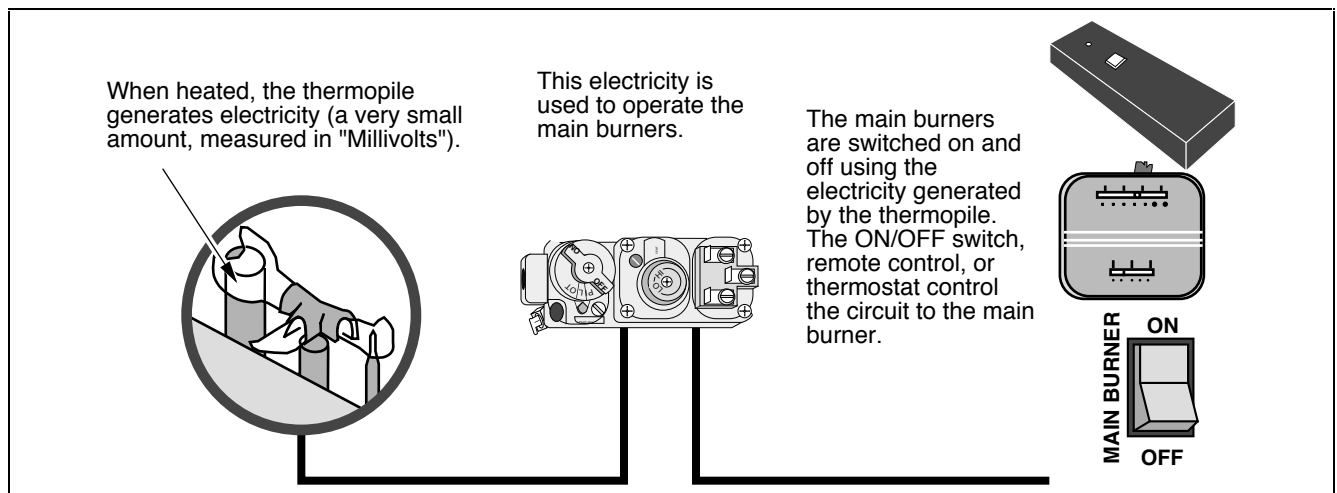
<b>Problem:</b>	<b>Possible Cause:</b>	<b>Don't Call for Service Until You:</b>
<b>Pilot Will Not Light</b>	A gas shut off valve is turned off ..... The valve control knob isn't turned to "PILOT" ..... The valve control knob isn't pushed in ..... The igniter wasn't pressed repeatedly.....	Check all gas shut off valves See "Starting the Pilot Light" Step C See "Starting the Pilot Light" Step C See "Starting the Pilot Light" Step C
<b>Main Burners Will Not Start</b>	The pilot light has gone out ..... The ON/OFF switch is turned to "OFF"..... The remote control is not working correctly..... The thermostat is disconnected or set too low..... Propane tank is empty (if applicable).....	See "Starting the Pilot Light" Turn the ON/OFF switch to "ON" See the remote control instructions See "Thermostat Operation" Check the propane tank
<b>Remote Control Does Not Work</b>	The pilot light has gone out ..... The ON/OFF switch is turned to "OFF"..... The remote is too far away from the heater ..... The remote control receiver is turned "Off" or "On"..... One of the two remote control batteries is dead.....	See "Starting the Pilot Light" Turn the ON/OFF switch to "ON" Use the remote closer to the heater See the remote control instructions See the remote control instructions
<b>Thermostat Does Not Work</b>	The pilot light has gone out ..... The ON/OFF switch is turned to "OFF"..... The thermostat is set too low.....	See "Starting the Pilot Light" Turn the ON/OFF switch to "ON" See "Thermostat Operation"
<b>Blower Will Not Distribute Heat</b>	The heater is unplugged ..... The heater is not up to temperature.....	Plug the heater in. See "Operating Your Heater"
<b>Pilot Goes Out Once A Month Or More</b>	The gas supply has been shut off ..... The vent is experiencing a cold air blockage or a negative pressure situation exists in the home.....	Keep the gas supply turned on This is a necessary safety feature that disables the heater if a down draft occurs. If this problem is persistent the vent may need to be improved or changes may need to be done to remove the negative pressure inside the home - see your dealer for details
<b>Flame (and Pilot) Goes Out 10 to 25 Minutes After Starting</b>	The vent is experiencing a cold air blockage or a negative pressure situation exists in the home.....	This is a necessary safety feature. First try restarting the heater. If it works correctly, a cold air blockage occurred and the vent just needed to be heated sufficiently. If this problem is persistent the vent may need to be improved or changes may need to be done to remove the negative pressure inside the home - see your dealer for details
<b>Flames Are Too Blue</b>	The heater has just been started ..... Improper air shutter adjustment.....	Normal - see "Operating Your Heater" Adjust Air Shutter - contact your dealer
<b>Flames Are Orange With Dirty Smoke</b>	Something may be placed against the heater ..... Improper air shutter adjustment.....	See "How this Heater Works" Adjust Air Shutter - contact your dealer
<b>Flames Are Too Short (Under 6")</b>	The flame height may be turned too low..... Something may be placed against the heater.....	Turn the flame height to "HI" - See "Operating Your Heater" See "How this Heater Works"
<b>Thin Layer of Soot Covers the Glass</b>	The logs are placed incorrectly..... Improper air shutter adjustment.....	See "Installing the Logs and Embers" Adjust Air Shutter - contact your dealer

## How this Heater Works

- ! This heater was designed with safety as the primary concern. Many of the components inside this heater are for safety purposes. Therefore, only certified gas service technicians should service this heater.

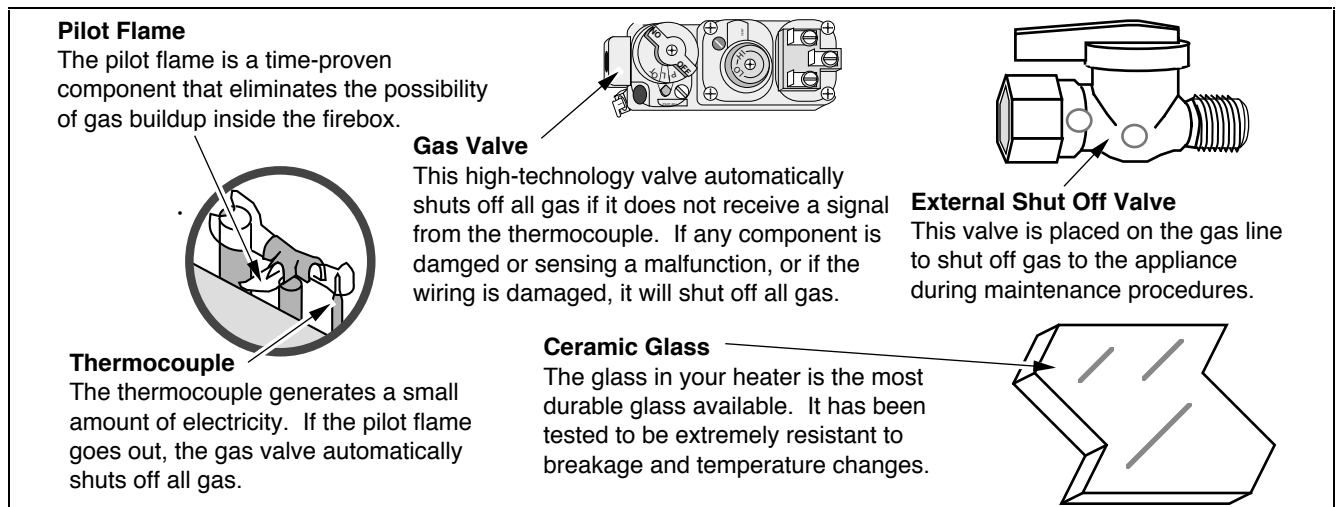
### What Turns the Main Burners On and Off

This heater uses a millivolt system to control its operation (a millivolt is a very small amount of electricity). The thermopile and thermocouple generate electricity when heated by the pilot flame. This electricity is used to operate the gas valve. Without enough electricity, the gas valve will not turn on. That is why when starting the pilot the gas control knob has to be pressed in long enough for the thermocouple to heat up and generate enough electricity. The thermopile provides power for the ON/OFF switch, remote control, or thermostat (see the illustration below). Because the thermopile generates the electricity needed to turn the heater on and off, this heater can be operated when the power is out (although the blower will not run).

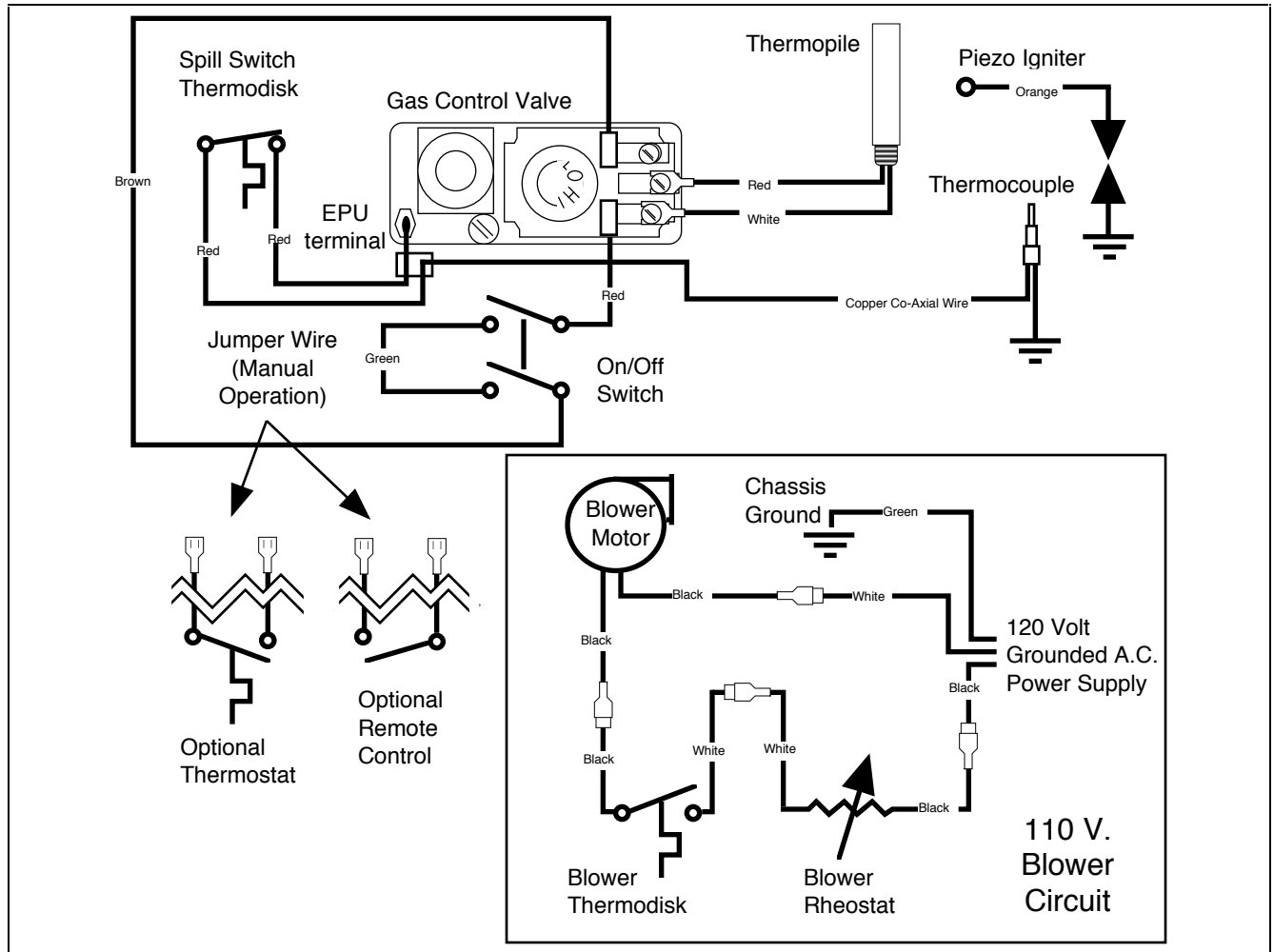


### What Prevents Gas Buildup

- + This appliance utilizes a high-technology gas valve in conjunction with a pilot flame to ensure no gas builds up inside the firebox.
- + The thermocouple (next to the pilot) senses when the pilot flame is lit. If the pilot flame goes out, this thermocouple no longer generates electricity, causing the gas valve to automatically shut off all gas to the heater, preventing the pilot from spilling gas into the firebox.



Wiring Diagram



To register your TRAVIS INDUSTRIES, INC. Limited Lifetime Warranty, complete the enclosed warranty card and mail it within ten (10) days of the appliance purchase date to: TRAVIS INDUSTRIES, INC., 10850 117th Place N.E., Kirkland, Washington 98033. TRAVIS INDUSTRIES, INC. warrants the Lopi gas appliance to be defect-free in material and workmanship from the date of purchase as follows:

**YEAR 1-COVERAGE: PARTS & LABOR**

1. Stove body, component parts & all accessories are covered for one year (ceramic glass covered for thermal breakage only). Cost of any warranted component parts and labor to replace or repair warranted component parts are covered. The cost of the dealer service call or travel time is not covered. Paint & gasketing material are excluded from coverage.
2. One-way freight allowance on pre-authorized repair done at factory is covered.
3. In cases where stove must be removed from home for repairs, a partial cost of re-installation of stove is covered (pre-authorization required).

**YEARS 2-5-COVERAGE: PARTS & LABOR**

1. Stove body & component parts are covered. Cost of any warranted component parts and labor to replace or repair warranted component parts are covered. The cost of the dealer service call or travel time is not covered. All accessories, gold plating, ceramic glass, paint, ceramic logs, gasketing, electrical components, and valves are excluded from coverage.
2. Any of the above excluded component parts may be purchased at 30% discount off manufacturer's suggested list price (plus any shipping and handling charges from your local dealer).
3. New and replacement accessories not available at discounted prices.
4. One-way freight allowance on pre-authorized repair done at factory is covered.
5. No re-installation coverage.

**YEARS 6 & ON-COVERAGE**

1. The original purchaser can buy stove component parts at 30% discount off suggested retail (plus any shipping & handling charges from your local dealer) as long as you own the appliance (but a maximum of 5 years after Travis Industries discontinues the designated model).
2. The solid brass door is warranted to not warp, crack or peel for as long as you own the appliance. This warranty does not cover tarnishing of the brass finish. Overfiring or neglect can cause permanent discoloration not covered under warranty (See Owner's Manual for proper care).
3. New and replacement accessories not available at discounted prices.
4. No coverage on stove body, component parts or labor.
5. No freight allowances or re-installation coverage.

**CONDITIONS & EXCLUSIONS**

1. This new Lopi gas appliance must be installed by a competent authorized gas service contractor. It must be installed and operated at all times in accordance with the installation and operation instructions spelled out in the Owner's Manual. Any alteration, willful abuse, accident, or misuse of the product shall nullify this warranty.
2. This warranty is nontransferable, and is made to the ORIGINAL purchaser, provided that the purchase was made through an authorized Lopi dealer.
3. Discoloration and some minor movement of certain parts is normal and not a defect and, therefore, not covered under warranty. Overfiring of this appliance can cause serious damage not covered under warranty and it is the responsibility of the installer to ensure that the appliance is burning as per rating tag at time of installation.
4. The warranty as outlined within this document does not apply to the chimney components or other Non-Travis accessories used in conjunction with the installation of this product. If in doubt, contact your Authorized Lopi retailer before installation. Travis Industries will not be responsible for...
  - a. Down draft or spillage caused by environmental conditions such as nearby trees, buildings, roof tops, hills or mountains.
  - b. Inadequate ventilation or negative air pressure caused by mechanical systems such as furnaces, fans, clothes dryers, etc.
5. This Warranty is void if:
  - a. The unit has been operated in atmospheres contaminated by chlorine, fluorine or other damaging chemicals.
  - b. The unit is subject to prolonged periods of dampness or condensation.
  - c. Any damage to the unit, combustion chamber, heat exchanger or other components due to water, or weather damage which is the result of, but not limited to, improper chimney/venting installation.
6. Exclusions to this Limited Lifetime Warranty include: injury, loss of use, damage, failure to function due to accident, negligence, misuse, improper installation, alteration or adjustment of the manufacturer's settings of components, lack of proper and regular maintenance, damage incurred while the appliance is in transit, alteration, or act of God.
7. This limited warranty excludes damage caused by normal wear and tear, such as paint discoloration or chipping, worn or torn gasketing, corroded or cracked logs, embers, etc. Also excluded is damage to the unit caused by abuse, improper installation, modification of the unit, drilling of the orifices, or the use of fuel other than that indicated on the gas control valve (natural gas or propane). Damage to the gold finish or solid brass finish caused by fingerprints, scratches, items melted to the face, or other external sources left on the gold or solid brass or from the use of cleaners other than denatured alcohol (gold only) is not covered in this warranty.
8. TRAVIS INDUSTRIES, INC. is free of liability for any damages caused by the appliance, as well as inconvenience expenses and materials. Incidental or consequential damages are not covered by this warranty. In some states, the exclusion of incidental or consequential damage may not apply.
9. This warranty does not cover any loss or damage incurred by the use or removal of any component or apparatus to or from the Lopi gas appliance without the express written permission of TRAVIS INDUSTRIES, INC. and bearing a TRAVIS INDUSTRIES, INC. label of approval.
10. Any statement or representation of Lopi products and their performance contained in Lopi advertising, packaging literature, or printed material is not part of this limited warranty.
11. This warranty is automatically voided if the appliance's serial number has been removed or altered in any way. Only the original purchaser of the Lopi appliance is covered by this warranty. If the appliance is used for commercial purposes, it is excluded from this warranty.
12. No dealer, distributor, or similar person has the authority to represent or warrant Lopi products beyond the terms contained within this warranty. TRAVIS INDUSTRIES, INC. assumes no liability for such warranties or representations.
13. THIS LIMITED LIFETIME WARRANTY IS THE ONLY WARRANTY SUPPLIED BY TRAVIS INDUSTRIES, INC., THE MANUFACTURER OF THE APPLIANCES. ALL OTHER WARRANTIES, WHETHER EXPRESS OR IMPLIED, ARE HEREBY EXPRESSLY DISCLAIMED AND PURCHASER'S RECOURSE IS EXPRESSLY LIMITED TO THE WARRANTIES SET FORTH HEREIN.

**IF WARRANTY SERVICE IS NEEDED**

1. If you discover a problem that you believe is covered by this warranty, you MUST REPORT it to your Lopi dealer WITHIN 30 DAYS, giving them proof of purchase, the purchase date, and the model name and serial number.
2. Travis Industries has the option of either repairing or replacing the defective component.
3. If your dealer is unable to repair your appliance's defect, he may process a warranty claim through TRAVIS INDUSTRIES, INC., including the name of the dealership where you purchased the appliance, a copy of your receipt showing the date of the appliance's purchase, and the serial number on your appliance. At that time, you will be asked to ship your appliance, freight charges prepaid, to TRAVIS INDUSTRIES, INC. TRAVIS INDUSTRIES, INC., at its option, will repair or replace, free of charge, your Lopi appliance if it is found to be defective in material or workmanship within the time frame stated within this limited warranty. TRAVIS INDUSTRIES, INC. will ship your appliance, freight charges (first five years) prepaid by TRAVIS INDUSTRIES, INC., to your regional distributor, or dealership.
4. Check with your dealer in advance for any costs to you, when arranging a warranty call. Dealers may require you to pay a service or trip charges for any warranty work. This charge can vary from store to store.

The safety label can be found inside the right side panel. A copy is shown below.

Tested & Listed by  Beaverton, OR, USA  
Report No. 028-S-17-5



Heritage Bay B-Vent  
Listed Gas-Fired Vented Room Heater



Tested and certified by OMNI-Test Laboratories, Inc. to the combustion performance and construction requirements of ANSI Z21.11.1-1991, ANSI Z21.11.1a-1993, CAN/CGA 2.1M88, and CAN/CGA 2.1M91 and the surface temperature requirements of UL/ANSI 1482, 737, and 907 and CAN/ULC-S627-M90.

Must be installed in accordance with all local codes, if any; if not, follow ANSI Z223.1-1992 and NFPA 54(88). This model is designed to operate on natural gas, or propane (LP). This appliance uses a millivolt-type control system consisting of a gas control valve/regulator, a standing pilot burner assembly, a thermopile, a piezo ignitor, and the ON/OFF switch. THIS UNIT DOES NOT REQUIRE 110 VOLT POWER TO OPERATE. All exhaust gases must be vented outside the structure of the living-area.

**WARNINGS:**

Improper installation, adjustment, alteration, service or maintenance can cause injury or property damage. Refer to the owner's and installation manual provided with this appliance. For assistance or additional information consult a qualified installer, service agency or the gas supplier.

Installation and repair should be performed by a qualified service person. The appliance should be inspected before use and at least annually by a qualified service person. More frequent cleaning may be required where excessive lint from material like carpeting and bedding is present. The control compartment, the burner compartment and all circulating air passageways of the appliance must be kept clean and clear at all times.

Due to high temperatures, the appliance should be located out of traffic and away from furniture and draperies.

This appliance must not be connected to a chimney flue servicing a separate solid fuel burning appliance.

This room heater is a Gas-Fired appliance. DO NOT burn wood or other material in this heater.

Children and adults should be alerted to the hazards of high surface temperature and should stay away to avoid flesh burns or clothing ignition.

Young children should be carefully supervised at all times when they are in the same room as the appliance.

**CAUTION:**

All safety screen or guard components removed for servicing, must be replaced prior to operating the appliance.

Clothing or other flammable material should not be placed on or near the appliance.

Risk of electrical shock. Switch the household breaker off or remove fuse before servicing unit.

Use only listed B-Vent pipe to vent this appliance to the exterior.

Minimum Clearances to Combustibles		L.P.		N.G.		L.P.		N.G.	
	IN	MM							
Unit to Sidewall	8"	200	Input Rate on "HI" (BTU/Hr)	40,000	40,000	Minimum Inlet Pressure (inches W.C.)	11"	5"	
Unit to Backwall	3"	75	Input Rate on "LO" (BTU/Hr)	22,000	19,000	Maximum Inlet Pressure (inches W.C.)	13"	8"	
Unit to Cornerwall	3"	75	Main Burner Orifice (DMS)	#49	#31	Manifold Pressure on "HI" (inches W.C.)	10.5"	3.5"	
Front of Unit	36"	910				Manifold Pressure on "LO" (inches W.C.)	2.7"	.9"	
Alcove Min. Height	60"	1520	This room heater is equipped at the factory for use with natural gas. If conversion to propane (LP) fuel is desired the optional factory conversion kit must be used.						
Alcove Max Depth	48"	1220	Blower Electrical Rating: 115 V., 1.5 Amps, 60 Hz FAN TYPE VENTED CIRCULATOR						
Alcove Min Width	43-3/8"	1100							

Manufacture Date:  1997  1998  1999  Jan.  Feb.  Mar.  Apr.  May  Jun.  Jul.  Aug.  Sep.  Oct.  Nov.  Dec.

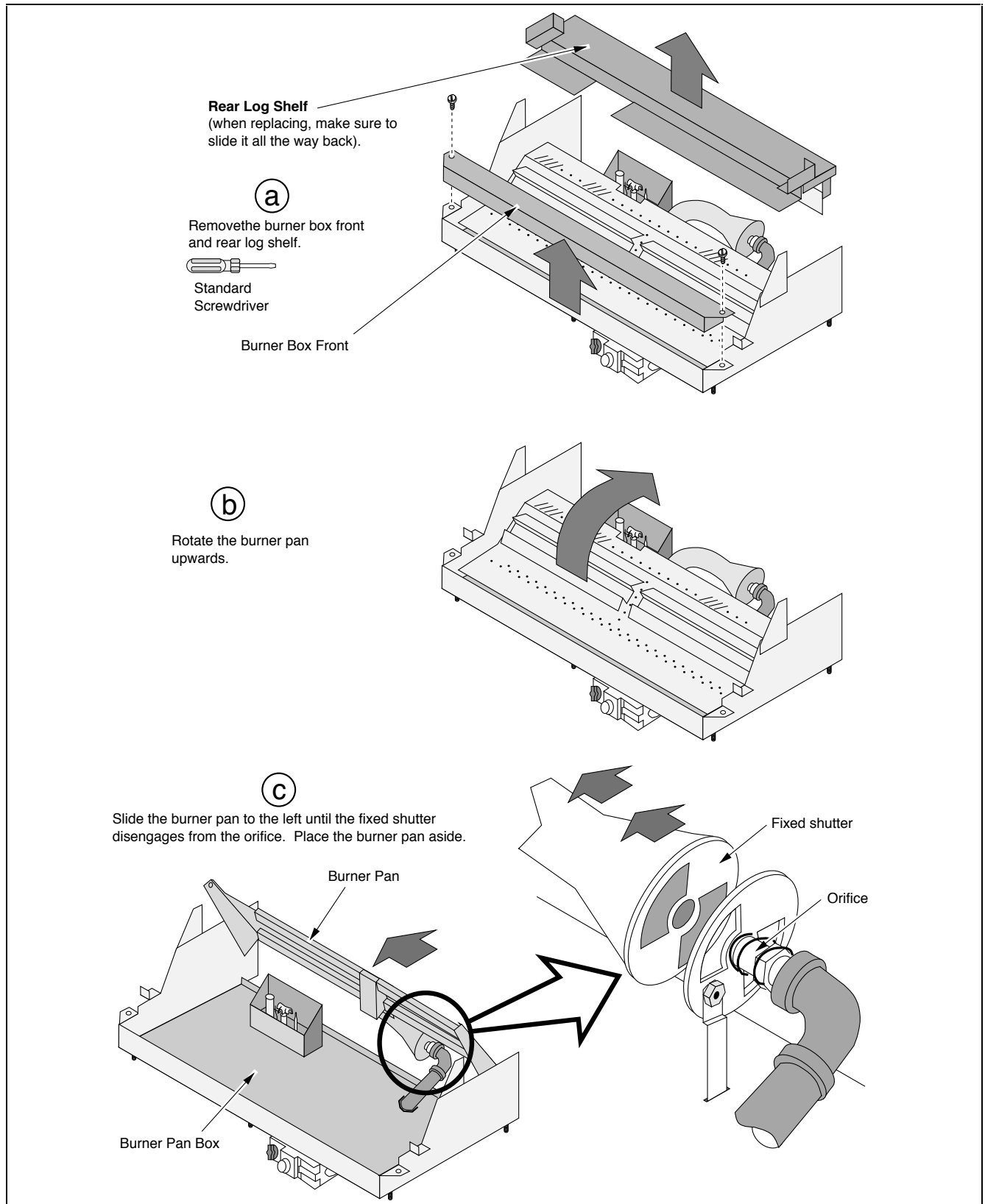
 **Travis Industries, Inc.**  
10850 117th Pl. N.E. Kirkland, WA 98033

IGN

## LP Conversion Instructions

The propane conversion kit should be installed prior to installing gas line to ensure proper gas use.

- 1 Open the door (see page 10).
- 2 Remove the burner (see illustration below).





- 3 Follow the directions below to remove the natural gas orifice. Apply thread sealant to the LP orifice (#49 - it has "49" stamped on it) and tighten in place with a 1/2" open end wrench. Replace the spring. Slide the adjustable shutter back in place.

**a**  
Push the adjustable shutter to the left, off the orifice (be careful not to bend the shutter linkage).  
Adjustable Shutter  
Orifice  
Shutter Linkage

**b**  
Slide the adjustable shutter down, away from the orifice.

**c**  
Remove the spring

**d**  
Use a 1/2" open end wrench to unscrew the orifice.  
1/2" Wrench

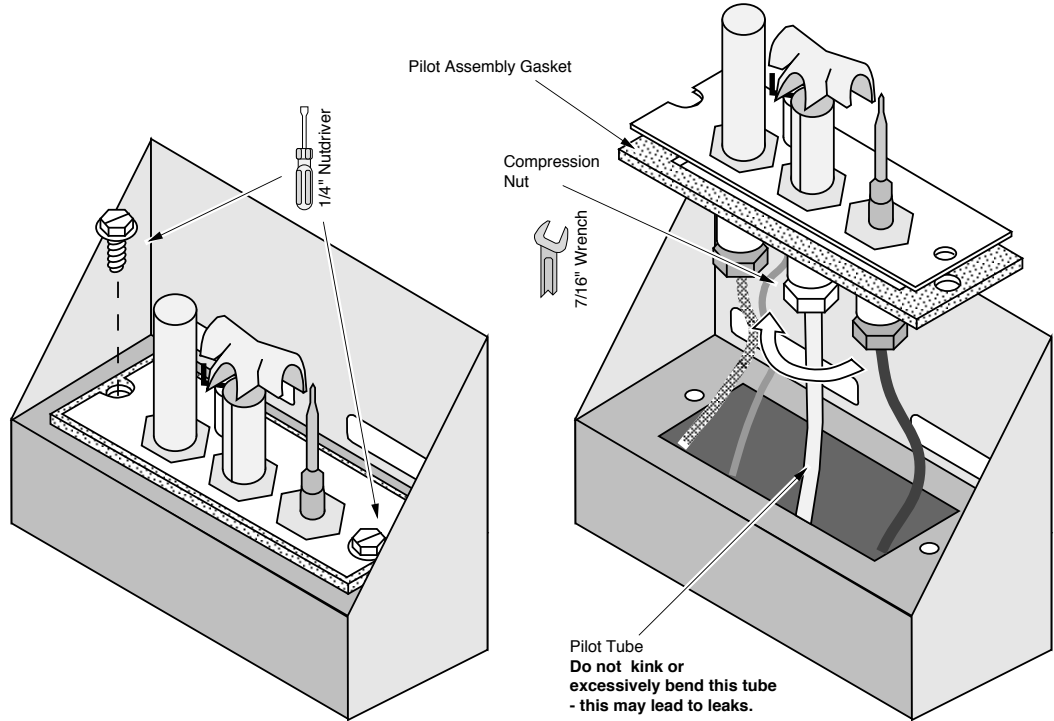
**e**

**f**  
Apply thread sealant to the new orifice prior to installation.

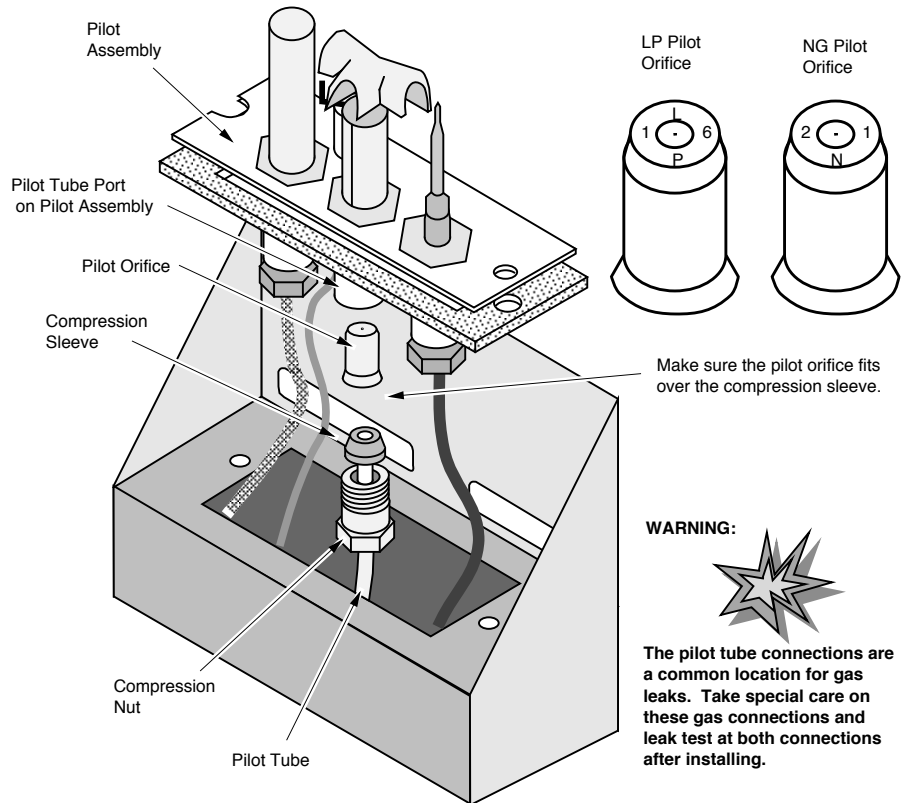
**Burner Orifice Sizing for 36DV and Heritage Bay**

NG	LP
#31	#49

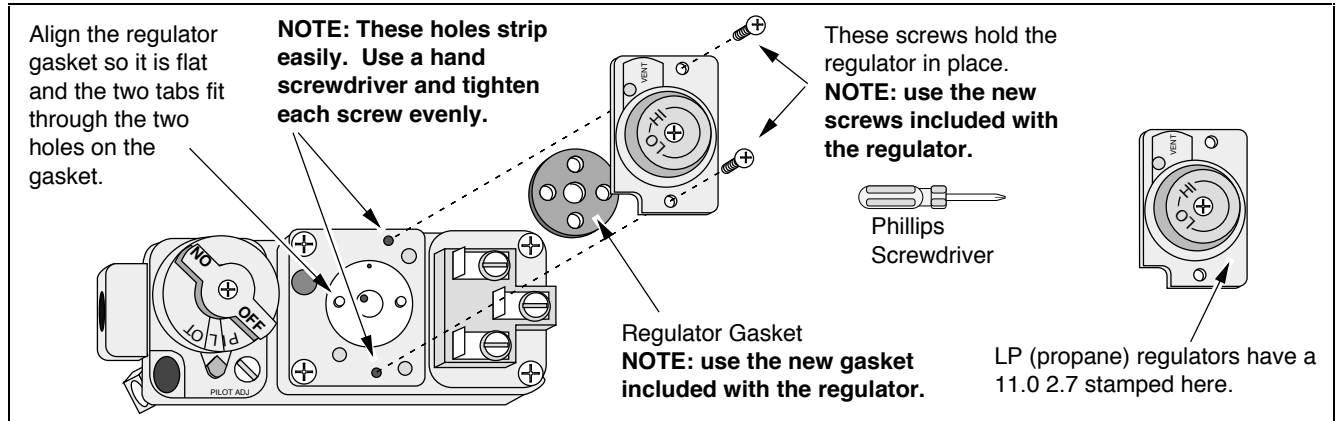
- 4 Remove the pilot assembly with a 1/4" nutdriver. Use a 7/16" open end wrench to unscrew the pilot tube compression nut. Move the pilot tube down and away from the pilot assembly.



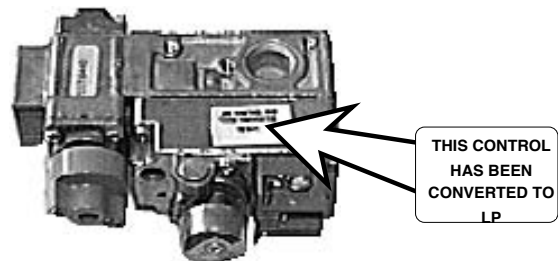
- 5 Remove the pilot orifice. It may be resting on the pilot tube or lodged inside the pilot assembly (tap the assembly from above until it falls out). Place the propane pilot orifice onto the pilot tube (the LP orifice is .016" diameter - it has "16" stamped on it). Insert the pilot tube (with orifice) into the pilot tube port and tighten the compression nut until tight. **NOTE: Leak test this connection after the heater is installed and gas is connected.**



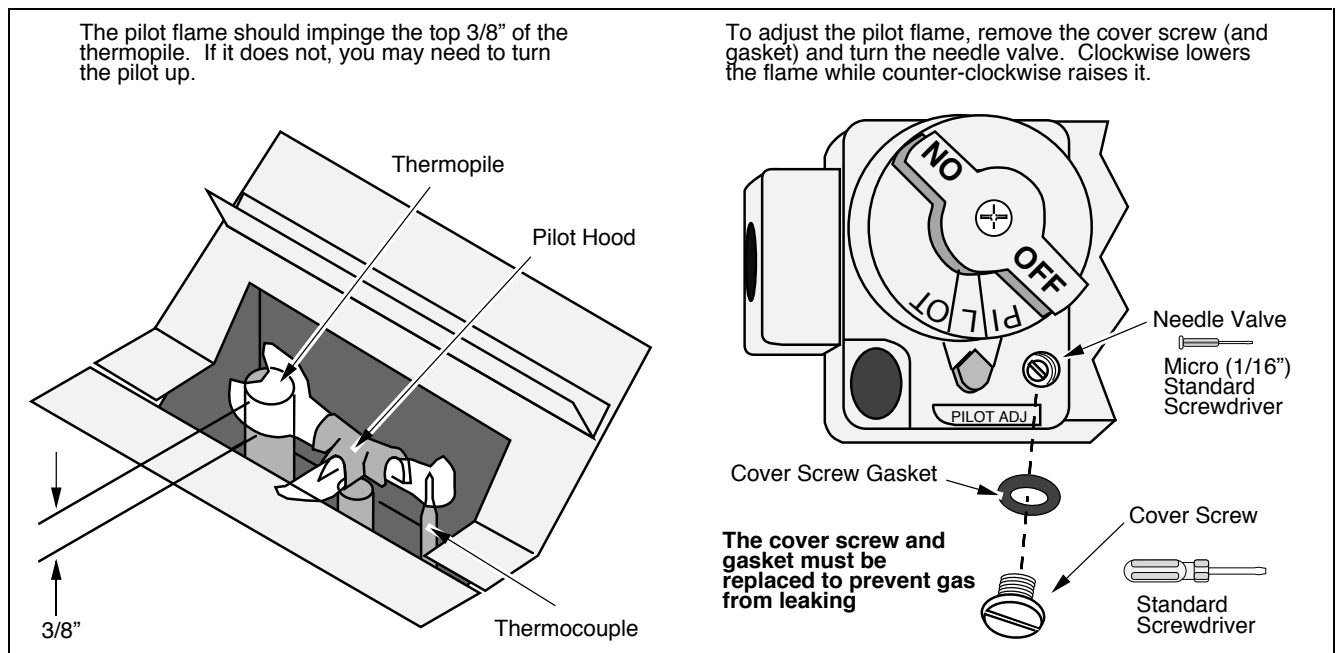
- 6 Replace the pilot assembly (follow the instructions in step 4 in reverse order). Make sure the pilot assembly gasket is placed correctly.
- 7 Replace the rear log shelf (see step 2). Install the logs and embers. Close the door.
- 8 Remove the regulator from the front of the gas control valve. Replace with the propane regulator, using the new gasket and screws included with the regulator. **NOTE: Leak test this area after the heater is installed, gas is connected, and the main burner is lit.**



- 9 Place the included propane label over the natural gas label on top of the gas control valve.



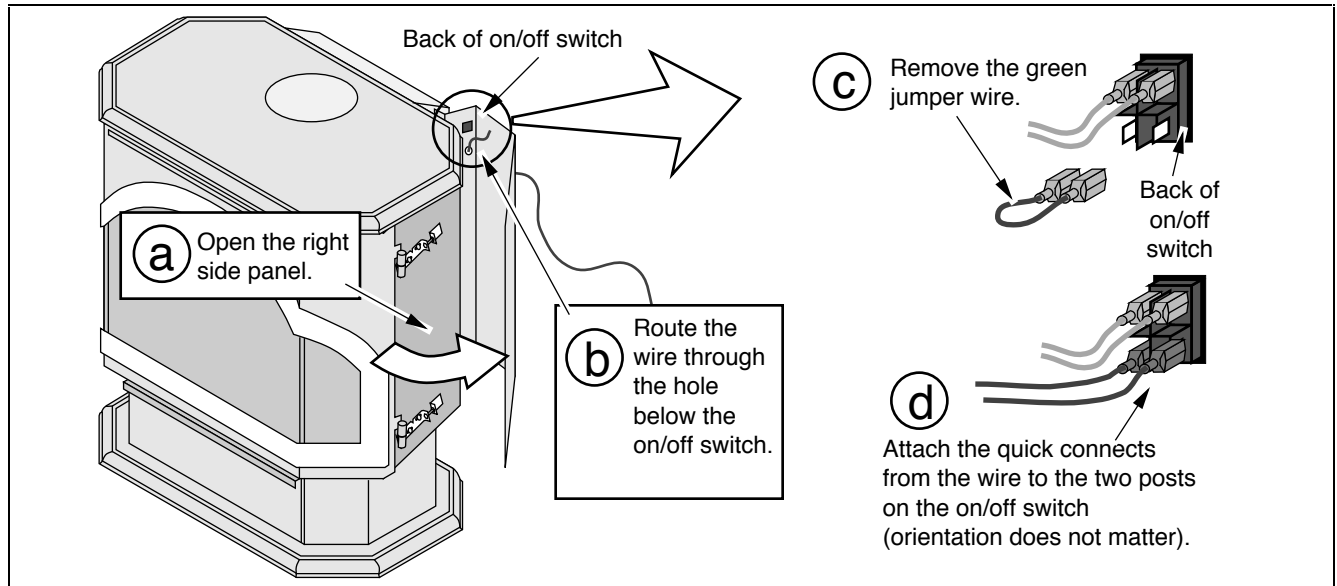
- 10 **Make the gas line connection, start the heater and thoroughly leak-test all gas connections and the regulator. Check the pilot. Adjust if necessary.**



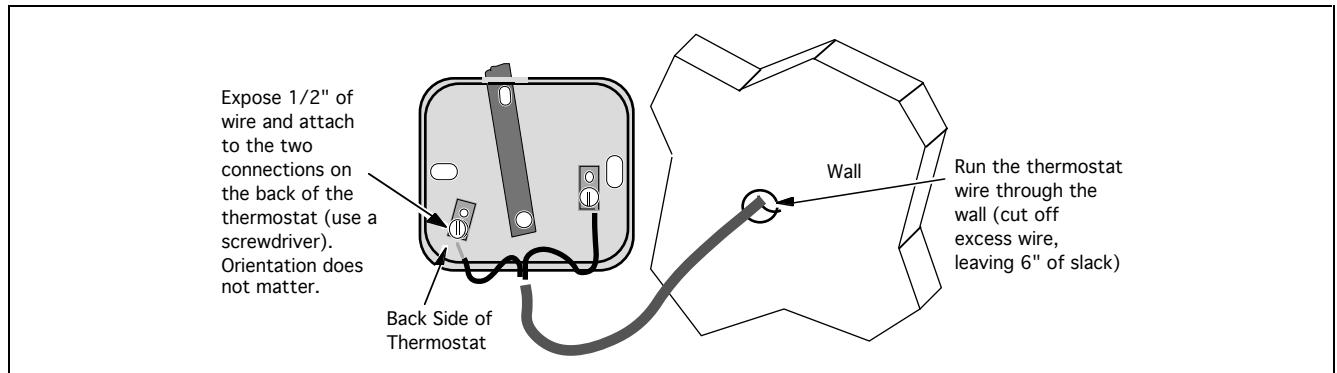
**Thermostat (Part # 99300650)**

! Do not connect 120 VAC to the gas control valve or wiring of this unit.

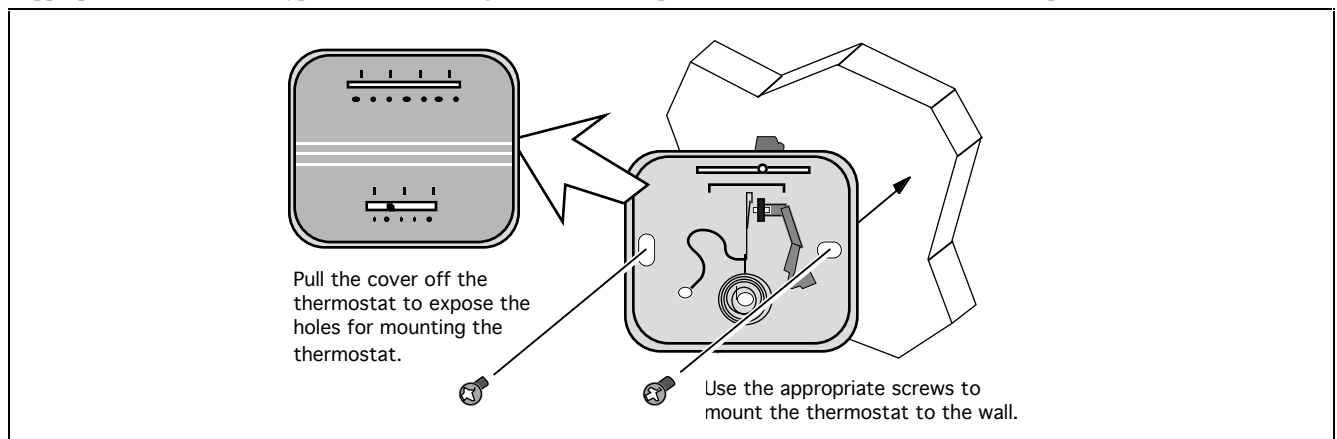
- 1 Route the thermostat wire through the back of the right side panel (there is a hole beneath the on/off switch) and attach to the on/off switch (see the illustration below).



- 2 Pull through all the slack on the wire (you may wish to wrap the wire in electrical tape to prevent damage to the wire). Determine a location for the thermostat that is within range of the 50' length of thermostat wire. It should be centralized in the room and away from the heater. The wire may be routed externally on the wall or behind the wall (preferred).
- 3 Cut the thermostat wire so there is approximately 6" of slack (NOTE: Do not splice thermostat wires together—this leads to too much electrical resistance). Expose 1/2" off each wire of the thermostat wire. Attach the exposed wire to the clips on the back of the thermostat using a screwdriver.



- 4 Pull the cover off the thermostat. Place the thermostat in location and attach it to the wall through the two obround holes (use the appropriate screws for the type of wall it is being attached to). Replace the cover on the thermostat to complete the installation.



## **Remote Thermostat**

- ! Do not connect 110-120 VAC to the gas control valve or wiring system of this unit.
- Follow the instructions included with the remote thermostat for installation.

### **IMPORTANT OPERATIONAL NOTE FOR REMOTE THERMOSTAT USE:**

Included with the remote thermostat is a set of instructions that should be given to the homeowner. Please be aware that the remote thermostat has a 1 to 2 minute lag time between the time the thermostat is turned up and the heater turns on.

Adjusting the Blower Speed .....	16	Listing Label (Safety Label) .....	23
Adjusting the Flame Height .....	15	Log Installation .....	11
AFUE .....	5	Maintaining Your Stove's Appearance .....	17
Air Shutter Adjustment .....	12	Natural Gas Verses Propane .....	2
Alcoves .....	7	On/Off Operation .....	15
Amperage (of blower) .....	5	On/Off Switch (Location) .....	12
Blower Speed .....	16	Operating Sounds .....	16
BTU Output .....	5	Order of Installation .....	6
Burn Rate .....	5	Packing Lists .....	6
Cap (vent termination) .....	9	Paint Curing .....	15
Chimney Conversion .....	8	Pilot (starting) .....	14
Cleaning Your Heater .....	17	Pilot Flame (Location) .....	13
Clearances .....	6	Pressure (of gas) .....	7
Condensation .....	15	Purging Gas Line (with door open) .....	11
Controls .....	13	Remote Control Thermostat Installation/Operation .....	29
Dimensions .....	5	Required Components for Installation .....	6
Door Opening .....	10	Safety Label .....	23
Efficiency .....	5	Safety Precautions .....	2
Electrical Connection .....	9	Sounds .....	16
Electrical Specifications .....	9	Starting The Pilot Flame .....	14
Emissions .....	5	Starting the Heater for the First Time .....	15
Flame Height .....	12	Stove Placement Requirements .....	7
Floor Protection Requirements .....	7	Table of Contents .....	4
Fuel .....	5	Thermostat Installation .....	28
Fumes .....	15	Troubleshooting Table .....	19
Gas Control Valve (Location) .....	13	Vent Termination Requirements .....	9
Gas Inlet Installation .....	7	Vent Requirement .....	8
Gas Leak .....	See Inst. on Cover	Warranty .....	22
Gas Line Connection .....	7	Water (on glass - see starting the heater) .....	15
Gas Smell .....	See Inst. on Cover	Wiring Diagram .....	21
Heating Capacity .....	5	Yearly Service Procedure .....	17
Installation Options .....	5		
Installation Preparation .....	6		
Leaking Gas .....	See Inst. on Cover		