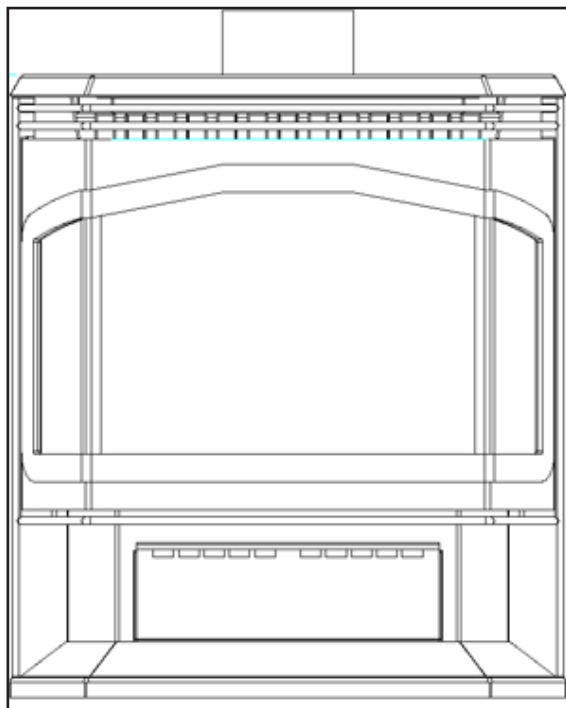


Installation & Operating Manual

The Harman Clarity 929 DV Direct Vent Gas Stove

HARMAN™

HOME HEATING



“Ce manuel est disponible en Français sur demande”



We suggest that our hearth products be installed and serviced by professionals who are certified in the U.S. by the National Fireplace Institute (NFI) as NFI Specialists.



This appliance may be installed in an aftermarket, permanently located, manufactured home (USA only) or mobile home, where not prohibited by local codes. This appliance is only for use with the type of gas indicated on the rating plate. This appliance is not convertible for use with other gases, unless a certified kit is used.

Cet appareil peut être installé dans une maison préfabriquée (mobile) déjà installée à demeure si les règlements locaux le permettent. Cet appareil doit être utilisé uniquement avec le type de gaz indiqué sur la plaque signalétique. Cet appareil ne peut être converti à d'autres gaz, sauf si une trousse de conversion est utilisée.

WARNING: If the information in these instructions are not followed exactly, a fire or explosion may result causing property damage, personal injury or loss of life.

Installation and service must be performed by a qualified installer, service agency, or the gas supplier. Do not store or use gasoline or other flammable vapors and liquids in the vicinity of this or any other appliance.

WHAT TO DO IF YOU SMELL GAS

- **Do not try to light any appliance.**
- **Do not touch any electrical switch; do not use any phone in your building.**
- **Immediately call your gas supplier from a neighbor's phone. Follow the gas supplier's instructions.**
- **If you cannot reach your gas supplier, call the fire department.**

SAVE THESE INSTRUCTIONS.

#3-90-08290

INTRODUCTION.....	3
INSTALLATION	4
Clearances.....	4
Venting	5
Terminating the Venting.....	6
Approved Venting Parts.....	8-14
Assembly.....	15
Connecting to a Gas Supply	17
Connecting the Cordset.....	18
Connecting the Thermostat.....	18
Air Shutter Adjustment.....	19
Monitoring the Gas Flame	19
OPERATION.....	20
How to Light the Fire	20
How to Turn Off the Fire.....	20
Lighting Instructions	21
MAINTENANCE.....	22
Removing the Glass	22
Replacing the Gasket.....	22
Cleaning the Glass	22
Inspecting the Venting	22
Cleaning the Logset and Firebox.....	22
PARTS LIST & DRAWING.....	24-26
SPECIFICATIONS.....	27
APPENDIX A: FUEL CONVERSION	28
APPENDIX B: ALTITUDE DE-RATING	29
WARRANTY.....	30

This appliance is also approved for installation into a shop.

Manufactured by:
Harman Home Heating
352 Mountain House Road
Halifax, PA 17032

Tested by
Intertek/Warnock Hersey
8431 Murphy Drive
Middleton, WI 53562



The Harman Clarity Direct Vent 929DV Gas Heater is a listed gas-fired direct vent room heater tested by Inchcape Testing/Warnock Hersey to standard ANSI Z21.88-2002-CSA 2.33-2002, and CAN/CGA-2.17-M91.

The installation of the Clarity Direct Vent Gas Heater must conform with local codes, or in the absence of local codes, with National Fuel Gas Code, ANSI Z223.1 — latest edition and CAN 1 B1-149.1 and .2 Installation Code.

Also for use in mobile (manufactured) homes after home is sited.

Mobile (manufactured) home installations must adhere to the current edition of Title 24 CFR, part 3280, or CSA Z240.4.

CAUTION: This appliance must be vented to the outside.

Installation and repair of the Clarity Direct Vent Gas Heater should be done by a qualified service person. The appliance should be inspected before use and at least annually by a qualified service person. More frequent cleaning may be required due to excessive lint from carpeting, bedding material, etc. It is imperative that control compartments,

burners, and circulating air passageways of the Clarity be kept clean.

When operating your Harman Clarity Gas Heater, respect basic safety standards. Read these instructions carefully before you attempt to operate the heater. Failure to do so may result in damage to property or personal injury and may void the product warranty.

Consult with your local building code agency and insurance representative before you begin your installation to ensure compliance with local codes, including the need for permits and follow-up inspections.

Several issues must be addressed when selecting a suitable location for your Clarity Gas Heater. Observing required clearances to combustible materials, the proximity to a safe chimney or venting system location, and the accessibility of the gas and electrical supply must all be considered. In addition, selecting a location that takes advantage of the building's natural air flow is also desirable to maximize the heating effectiveness of the heater. In many cases, this is a central location within the building.

SAFETY NOTICE

PLEASE READ THIS ENTIRE MANUAL BEFORE YOU INSTALL AND USE YOUR NEW ROOM HEATER. FAILURE TO FOLLOW INSTRUCTIONS MAY RESULT IN PROPERTY DAMAGE, BODILY INJURY, OR EVEN DEATH.

FOR USE IN THE U.S. AND CANADA. SUITABLE FOR INSTALLATION IN MOBILE HOMES

IF THIS HARMAN STOVE IS NOT PROPERLY INSTALLED, A HOUSE FIRE MAY RESULT. FOR YOUR SAFETY, FOLLOW INSTALLATION DIRECTIONS.

CONTACT LOCAL BUILDING OR FIRE OFFICIALS ABOUT RESTRICTIONS AND INSTALLATION INSPECTION REQUIREMENTS IN YOUR AREA.

CONTACT YOUR LOCAL AUTHORITY (SUCH AS MUNICIPAL BUILDING DEPARTMENT, FIRE DEPARTMENT, FIRE PREVENTION BUREAU, ETC.) TO DETERMINE THE NEED FOR A PERMIT.

CETTE GUIDE D'UTILISATION EST DISPONIBLE EN FRANCAIS. CHEZ VOTRE CONCESSIONNAIRE DE HARMAN HOME HEATING.

ADVERTISSEMENT: Quinconque ne respect pas à la lettre les instructions dans le présent manuel risque de déclencher un incendie ou une explosion entraînant des dommages matériels, des lésions corporelles ou la perte de vies humaines. Installation ou modification, consulter le manuel des usagers fourn avec ce générateur d'air chaud. Ne pas entreposer ni utiliser d'essence ni d'autres vapeurs ou liquides inflammables dans le voisinage de cet appareil ou de tout autre appareil.

POUR VOTRE SÉCURITÉ: Que faire si vous sentez une odeur de gaz:

- Ne pas tenter d'allumer d'appareil.
- Ne touchez à aucun interrupteur. Ne pas vous servir des téléphones se trouvant dans le bâtiment où vous trouvez.
- Evacuez la pièce, le bâtiment ou la zone.
- Appelez immédiatement votre fournisseur de gaz depuis un voisin. Suivez les instructions du fournisseur.
- Si vous ne pouvez rejoindre le fournisseur de gaz, appelez le service des incendies.

IMPORTANT NOTICE

Due to high temperatures, the Clarity Direct Vent Gas Heater should be located out of traffic and away from furniture and draperies.

Children and adults should be alerted to the hazards of high surface temperatures and should stay away to avoid burns or clothing ignition.

Young children should be carefully supervised when they are in the same room as the appliance.

Clothing or other flammable materials should not be placed on or near the Clarity Direct Vent Gas Heater.

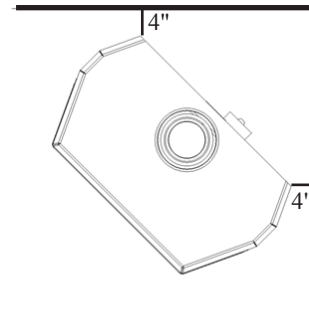
Clearances

The following clearances to combustibles must be observed:

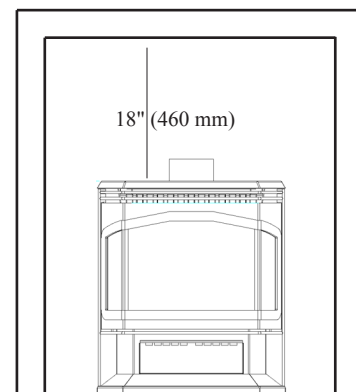
Heater to left sidewall	9" (230 mm)
Heater to right sidewall	9" (230 mm)
Heater corner to walls	4" (100 mm)
Heater to back wall	3" (75 mm)
(measured from rear of heater to wall)	
Heater to alcove ceiling	18" (460 mm)
Maximum alcove depth	14" (355 mm)

In addition to the clearances mentioned previously, adequate accessibility clearance for servicing and proper operation must be maintained.

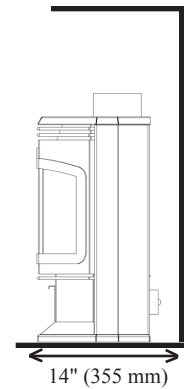
If this appliance is installed directly on carpeting, vinyl tile, or other combustible material other than wood flooring the appliance shall be installed on a metal or wood panel extending at least the full width and depth of the appliance.



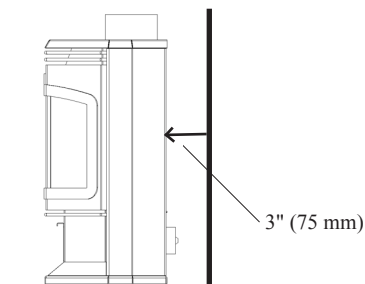
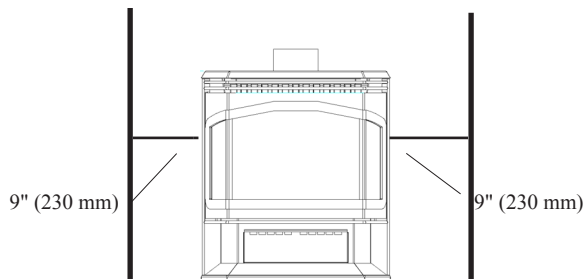
Clearance from corner of unit to walls.



Clearance to alcove ceiling.



Maximum alcove depth



Clearance to back wall

Air openings into the combustion chamber must remain clear at all times. Also ensure adequate accessibility clearances for servicing and proper operation.

Use Only Approved Venting

The Clarity Direct Vent Gas Heater has been tested and is listed for installation with specific venting components. The venting manufacturer's warranty will be voided, and serious fire, health, or other safety hazards may result from any of the following actions:

- Installation of any damaged venting component.
- Unauthorized modification of the venting System.
- Installation of any venting component not manufactured by an approved manufacturer.
- Installation other than as instructed by the venting manufacturer and the appliance manufacturer.

Consult your local building codes before beginning the installation, and follow the manufacturer's instructions exactly. The following Simpson DuraVent GS 4" X 6 5/8" venting components are approved for use with the Clarity Direct Vent Gas Heater.

SIMPSON DURA-VENT COMPONENT NO.

Basic Termination Kit.....	970
Horizontal Termination Kit A.....	971
Vertical Termination Kit A.....	973
Horizontal Square Termination Cap.....	984
Vertical Termination Cap.....	983
Snorkel Termination Cap, 36" Vertical Rise.....	981
Snorkel Termination Cap, 14" Vertical Rise.....	982
Vinyl Siding Standoff.....	950
Wall Thimble.....	942
Round Ceiling Support/Wall Thimble Cover.....	940
Cathedral Ceiling Support Box.....	941
Storm Collar.....	953
Firestop Spacer.....	963
Adjustable Roof Flashing, 0/12-6/12 pitch.....	943
Steep Roof Flashing, 7/12-12/12 pitch.....	943S
Wall Strap.....	988
Designer Series Trim Kits.....	3951, 3952, 3953, 3960, 3961, 3962
High Wind Vertical Termination Cap.....	991
Low Profile Termination Cap.....	980

DIRECT VENT PIPE LENGTHS

DURA-VENT COMPONENT NO.

	GALVANIZED	BLACK
6" length	NA	908B
9" length	NA	907B
12" length	906	906B
24" length	904	904B
36" length	903	903B
48" length	902	902B
11-14 5/8" Adjustable	-	911B
45° Elbow	945	945B
90° Elbow	990	990B

The Clarity Direct Vent should be installed with no more than 12 joints and 2 elbows. The elbows may be either 45° or 90°.

The Clarity Direct Vent must not be connected to a chimney flue serving any other appliance.

WARNING: The flow of ventilation air must not be obstructed.

Horizontal and Vertical Venting Requirements

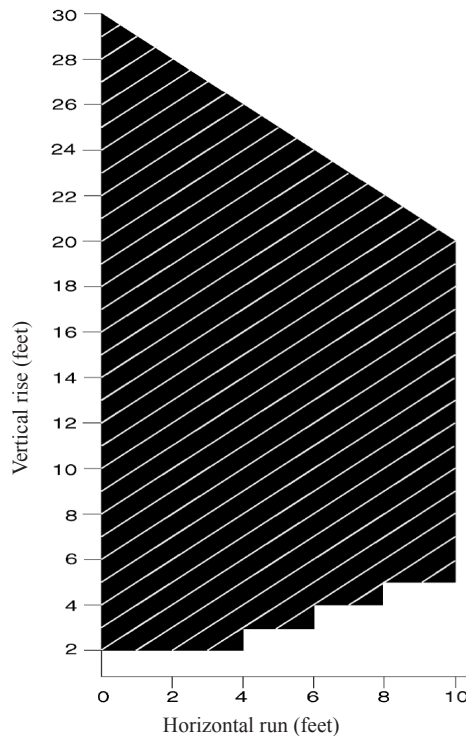
The maximum horizontal run allowed for the Clarity Direct Vent is 10 feet. The maximum vertical rise and maximum total vent length is 30 feet. The horizontal and vertical lengths of venting must fall within the shaded portion of the chart below:

Restrictor plates, supplied by Harman Stove Company, (Part No. G218) may be added in straight vertical installations only. For each 10' of vertical rise above the first 10', one restrictor plate may be added. No more than two restrictor plates may be used.

For venting systems that utilize one or two elbows (either 45° or 90°), restrictor plates should not be used.

For the Clarity Direct Vent, the vent/air intake termination clearances above the high side of an angled roof are as follows:

Roof Pitch	Feet	Meters
Flat to 6/12	1	0.3
7/12 to 9/12	2	0.6
10/12 to 12/12	4	1.2
13/12 to 16/12	6	1.8
17/12 to 21/12	8	2.4



Venting terminals shall not be recessed into a wall or siding.

Requirements for Terminating the Venting

WARNING: Venting terminals must not be recessed into a wall or siding.

In addition, the following must be observed:

		Canadian Installations ¹	US Installations ²
A=	Clearance above grade, veranda, porch, deck, or balcony	12 Inches (30 cm)	12 inches (30 cm)
B=	Clearance to window or door that may be opened	6 Inches (15 cm) for appliance ≤ 10,000 Btuh (3 kW), 12 inches (30 cm) for appliances > 10,000 Btuh (3kW) and ≤ 100,000 Btuh (30 kW), 36 inches (91 cm) for appliances > 100,000 Btuh (30 kW)	6 Inches (15 cm) for appliance ≤ 10,000 Btuh (3 kW), 9 inches (23 cm) for appliances > 10,000 Btuh (3kW) and ≤ 50,000 Btuh (15 kW), 12 inches (30 cm) for appliances > 50,000 Btuh (15 kW)
C=	Clearance to permanently closed window	*	*
D=	Vertical clearance to ventilated soffit located above the terminal within a horizontal distance of 2 feet (61 cm) from the center line of the terminal	*	*
E=	Clearance to unventillated soffit	*	*
F=	Clearance to outside corner	*	*
G=	Clearance to inside corner	*	*
H=	Clearance to each side of center line extended above meter/regulator assembly	3 feet (91 cm) within a height of 15 feet above the meter/ regulator assembly	*
I=	Clearance to service regulator vent outlet	6 feet (1.83 m)	*
J=	Clearance to nonmechanical air supply inlet to building or the combustion air inlet to any other appliance	6 inches (15 cm) for appliances ≤ 10,000 Btuh (3 kW), 12 inches (30 cm) for appliances > 10,000 Btuh (3 kW) and ≤ 100,000 Btuh (30 kW), 36 inches (91 cm) for appliances > 100,000 Btuh (30 kW)	6 Inches (15 cm) for appliance ≤ 10,000 Btuh (3 kW), 9 inches (23 cm) for appliances > 10,000 Btuh (3kW) and ≤ 50,000 Btuh (15 kW), 12 inches (30 cm) for appliances > 50,000 Btuh (15 kW)
K=	Clearance to a mechanical air supply inlet	6 feet (1.83 m)	3 feet (91 cm) above if within 10 feet (3 m) horizontally
L=	Clearance above paved sidewalk or paved driveway located on public property	7 feet (2.13 m) †	*
M=	Clearance under veranda, porch deck, or balcony	12 inches (30 cm) ‡	*

¹ In accordance with the current CSA-B149. 1 *Natural Gas and Propane Installation Code*

² In accordance with the current ANSI Z223.1 / NFPA 54 *National Fuel Gas Code*

† A vent shall not terminate directly above a sidewalk or paved driveway that is located between two single family dwellings and serves both dwellings.

‡ Permitted only if veranda, porch, deck, or balcony is fully open on a minimum of two sides beneath the floor.

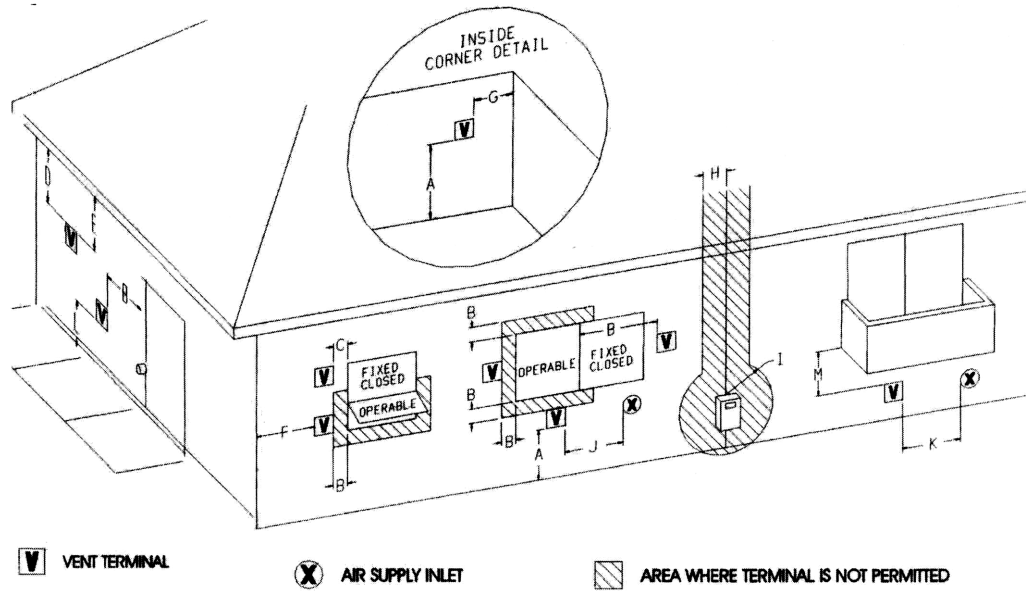
* For clearances not specified in ANSI Z223. 1 / NFPA 54 or CSA-B149.1, one of the following shall be indicated:

- A minimum clearance value determined by testing in accordance with section 2.19.6, or;
- A reference to the following footnote:

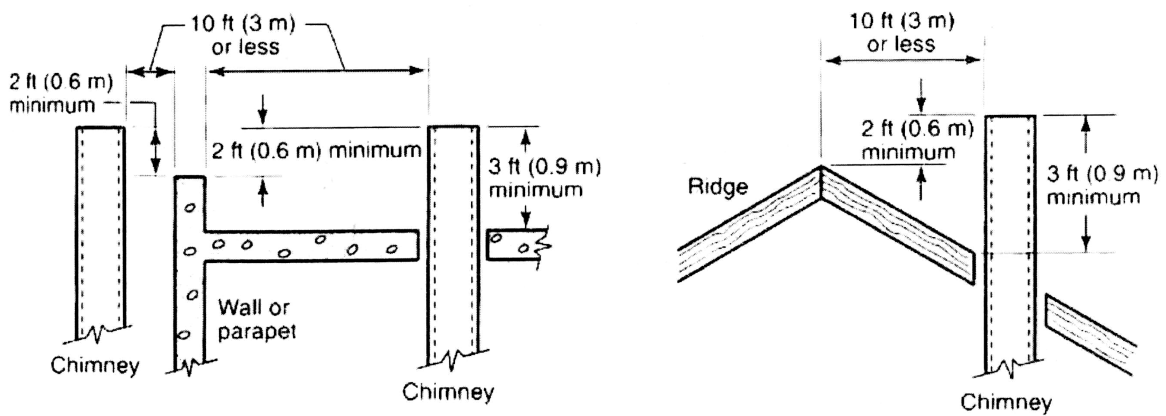
“Clearance in accordance with local installation codes and the requirements of the gas supplier”

«Dégagement conforme aux codes d’installation locaux et aux exigences du fournisseur de gaz»

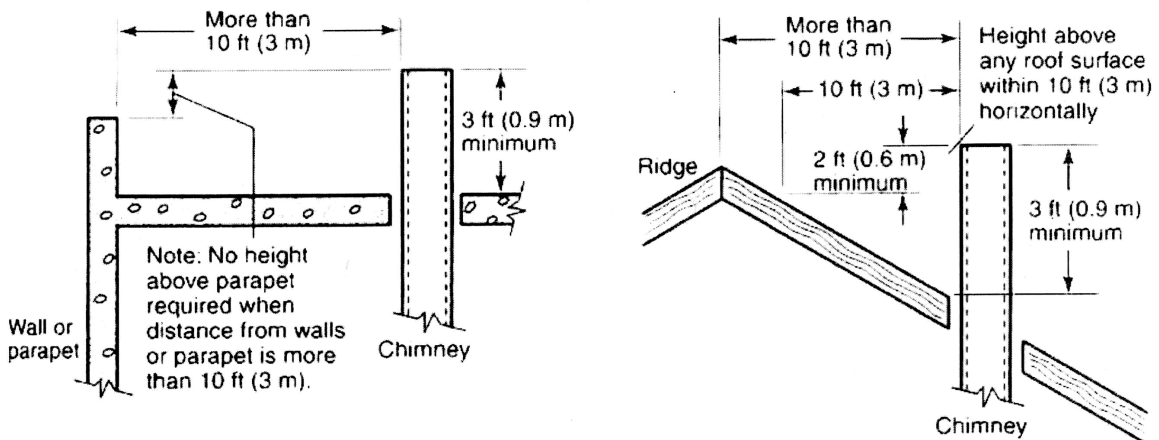
These Diagrams, along with the table, detail the restrictions on the vent terminal location.



Vent cap regulations:



(a) Termination 10 ft (3 m) or less from ridge, wall, or parapet



(b) Termination more than 10 ft (3 m) from ridge, wall, or parapet

Use Only Approved Venting

This appliance has been tested and is listed for installation only with specific venting components. The venting manufacturer's warranty will be voided, and serious fire, health, or other safety hazards may result from any of the following actions:

- Installation of any damaged venting component.
- Unauthorized modification of the venting system.
- Installation of any venting component part not manufactured by the approved manufacturer.
- Installation other than as instructed by the venting manufacturer and the appliance manufacturer.

Consult your local building codes before beginning the installation, and follow the manufacturer's instructions exactly. The Simpson DuraVent GS venting components listed below are approved for use with the Clarity Direct Vent Gas Heater.

Part Numbers for SimpsonDura-Vent Pipe and Fittings

6-5/8" x 4"	8" x 5"	Description
n/a	1208	6" Pipe Length
908B	1208B	6" Pipe Length, Black
n/a	1207	9" Pipe Length
907B	1207B	9" Pipe Length, Black
906	1206	12" Pipe Length
906B	1206B	12" Pipe Length, Black
904	1204	24" Pipe Length
904B	1204B	24" Pipe Length, Black
903	1203	36" Pipe Length
903B	1203B	36" Pipe Length, Black
902	1202	48" Pipe Length
902B	1202B	48" Pipe Length, Black
n/a	1211	11" to 14-5/8" Pipe, Adjustable
911B	1211B	11" to 14-5/8" Pipe, Adjustable, Black
n/a	1217	17" to 24" Pipe, Adjustable
945	1245	45° Elbow
945B	1245B	34° Elbow, Black
990	1290	90° Elbow
990B	1290B	90° Elbow, Black
940	1240	Rnd Support Box/Wall Thimble Cover
941	1241	Cathedral Ceiling Support Box
943	1243	Flashing, 0/12 to 6/12 Roof Pitch
943S	1243S	Flashing, 7/12 to 12/12 Roof Pitch
953	1253	Storm Collar
963	1263	Ceiling Firestop
988	1288	Wall Strap
981	1281	Snorkel Termination (36")
982	1282	Snorkel Termination (14")
984	1284	Horizontal Square Termination
980	1280	Vertical Termination
991	1291	Vertical Termination, High Wind
950	1250	Vinyl Siding Standoff
1222D (Only available from Harman)		8" x 5" to 6 5/8" x 4" Adaptor

Simpson Dura-Vent Direct Vent GS

Selkirk Direct-Temp	
Stock No.	Description
4DT-6	6" Pipe Length, Galvanized
4DT-6B	6" Pipe Length, Black
4DT-9	9" Pipe Length, Galvanized
4DT-9B	9" Pipe Length, Black
4DT-12	12" Pipe Length, Galvanized
4DT-12B	12" Pipe Length, Black
4DT-18	18" Pipe Length, Galvanized
4DT-18B	18" Pipe Length, Black
4DT-24	24" Pipe Length, Galvanized
4DT-24B	24" Pipe Length, Black
4DT-36	36" Pipe Length, Galvanized
4DT-36B	36" Pipe Length, Black
4DT-48	48" Pipe Length, Galvanized
4DT-48B	48" Pipe Length, Black
4DT-AJ	Adjustable Length, 11" - 14", Galv.
4DT-AJB	Adjustable Length, 11" - 14", Black
4DT-EL45	45° Elbow, Galvanized
4DT-EL45B	45° Elbow, Black
4DT-EL90	90° Elbow, Galvanized
4DT-EL90B	90° Elbow, Black
4DT-AA	Appliance Adaptor, Black
4DT-RD	Restriction Disc
4DT-CS	Ceiling Support
4DT-CSS	Cathedral Support Box
4DT-WS/B	Wall Support Band
4DT-OS	Offset Support
4DT-WT	Round Wall Thimble, Black
4DT-FS	Firestop Spacer
4DT-TP	Trim Plate, Black
4DT-HKA	Horizontal Term. Kit A
4DT-HKB	Horizontal Term. Kit B
4DT-VKC	Vertical Termination Kit
4DT-HVC	High Wind Vertical Cap
4DT-HHC	High Wind Horizontal Cap
4DT-SC	Storm Collar
4DT-AF6	Adjustable Flashing, 0/12-6/12
4DT-AF12	Adjustable Flashing 6/12-12/12
4DT-VS	Vinyl Siding Standoff
4DT-VSP	Vinyl Siding Shield Plate
4DT-ST14	Snorkel Termination 14"
4DT-ST36	Snorkel Termination 36"

Simpson Dura-Vent Direct Vent GS	
Stock No.	Description
908	6" Pipe Length, Galvanized
908B	6" Pipe Length, Black
907	9" Pipe Length, Galvanized
907B	9" Pipe Length, Black
906	12" Pipe Length, Galvanized
906B	12" Pipe Length, Black
n/a	
n/a	
904	24" Pipe Length, Galvanized
904B	24" Pipe Length, Black
903	36" Pipe Length, Galvanized
903B	36" Pipe Length, Black
902	48" Pipe Length, Galvanized
902B	48" Pipe Length, Black
911	Adjustable Length, 11"-14", Galv.
911B	Adjustable Length, 11"-14", Black
945	45° Elbow, Galvanized
945B	45° Elbow, Black
990	90° Elbow, Galvanized
90B	90° Elbow, Black
n/a	
929	Restrictor Disc
949	Round Ceiling Spt/Wall Thimble Cvr
941	Cathedral Ceiling Support Box
988	Wall Strap
989	Elbow Strap
942	Wall Thimble
963	Ceiling Firestop
n/a	
970	Basic Horizontal Term. Kit
971	Horizontal Termination Kit A
978	Vertical Termination Kit
991	High Wind Termination Cap
985	Horizontal Square High Wind Termination
953	Storm Collar
943	Adjustable Flashing, 0/12-6/12
943S	Adjustable Flashing 6/12-12/12
950	Vinyl Siding Standoff
n/a	
982	Snorkel Termination Cap 14"
981	Snorkel Termination Cap 36"

SECURE VENT DIRECT VENT SYSTEM - 4" x 6-5/8" and 5" x 8"

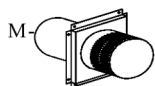
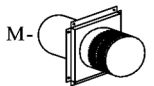

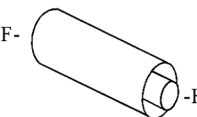
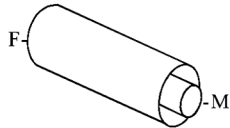
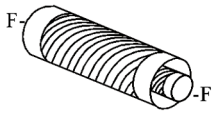
Cross Reference List

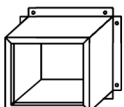
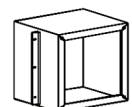
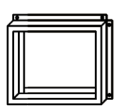
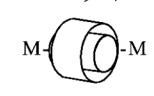
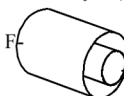
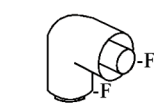
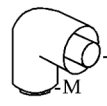
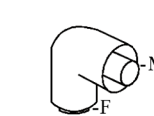
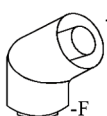
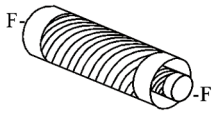
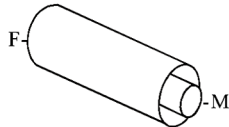
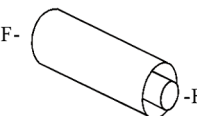
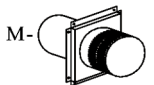
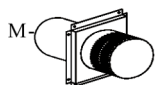
Description	Secure Vent	Simpson Dura-Vent	Secure Vent	Simpson Dura-Vent
	Cat No.	Direct Vent GS	Cat No.	Direct Vent GS
		Stock No.		Stock No.
Length 6" (Galvalume).....	SV4L6	908	SV5L6	1208
Length 6" (Black).....	SV4LB6	908B	SV5LB6	1208B
Length 12" (Galvalume).....	SV4L12	906	SV5L12	1206
Length 12" (Black).....	SV4LB12	906B	SV5LB12	1206B
Length 24" (Galvalume).....	SV4L24	904	SV5L24	1204
Length 24" (Black).....	SV4LB24	904B	SV5LB24	1204B
Length 36" (Galvalume).....	SV4L36	903	SV5L36	1203
Length 36" (Black).....	SV4LB36	903B	SV5LB36	1203B
Length 48" (Galvalume).....	SV4L48	902	SV5L48	1202
Length 48" (Black).....	SV4LB48	902B	SV5LB48	1202B
Adj. Length (Galv.)(Adjustable 6").....	SV4LA	n/a	SV5LA	n/a
Adj. Length (Blk)(Adjustable 6").....	SV4LBA	n/a	SV5LBA	n/a
Adj. Length (Galv.)(Adjustable 12").....	SV4LA12	n/a	SV5LA12	n/a
Adj. Length (Blk)(Adjustable 12").....	SV4LBA12	n/a	SV5LBA12	n/a
Adj. Length (Galv.)(Adjustable 24").....	SV4LA24	917	SV5LA24	1217
Adj. Length (Blk)(Adjustable 24").....	SV4LBA24	917B	SV5LBA24	1217B
Swivel 45° elbow (Galvalume).....	SV4E45	945G	SV5E45	1245G
Swivel 45° elbow (Black).....	SV4EB45	945BG	SV5EB45	1245BG
Rigid 45° elbow (Black).....	SV4EBR45	945B	SV5EBR45	1245B
Swivel 90° elbow (Galvalume).....	SV4E90	990G	SV5E90	1290G
Swivel 90° elbow (Black).....	SV4EB90	990BG	SV5EB90	1290BG
Rigid 90° elbow (Black).....	SV4EBR90	990B	SV5EBR90	1290B
Adjustable Decorative				
Square Cathedral Support.....	SV4CSB	941	SV5CSB	1241
Collar for the Decorative				
Square Cathedral Support.....	SV4AC	n/a	SV5AC	n/a
Decorative Black Plate (square).....	SV4PF	940	SV5PF	1240
Universal Support.....	SV4SU	989	SV5SU	1289
Floor Support.....	SV4SD	n/a	SV5SD	n/a
Roof Brace.....	SV4BS	n/a	SV5BS	n/a
Roof Support.....	SV4ST	n/a	SV5ST	n/a
Wall Band.....	SV4BM	988	SV5BM	1288
Attic Radiation Shield.....	SV4RSA	n/a	SV5RSA	n/a
Wall Radiation Shield.....	SV4RSM	942	SV5RSM	1242
Firestop.....	SV4BF	963	SV5BF	1263
Flat Roof Flashing(storm collar incl.)....	SV4F	943F	SV5F	1243F
Adjustable Roof Flashing				
1/12 - 7/12 (storm collar incl.).....	SV4FA	943	SV5FA	1243
Adjustable Roof Flashing				
8/12 - 12/12 (storm collar incl.).....	SV4FB	943S	SV5F B	1243S
Storm Collar.....	SV4FC	953	SV5FC	1253
Vinyl Shield Protector.....	SV4VS	950	SV5VS	1250
Restrictor Disk.....	SV4RD	929	SV5RD	n/a
VERTICAL TERMINATION CAP.....	SV4CGV	980	SV5CGV	1280
HORIZONTAL TERMINATION CAP.....	SV4CHC-1	984	SV5CHC-1	1284
SNORKEL CAP 14".....	SV4STC14982		SV5STC14	1282
SNORKEL CAP 36".....	SV4STC36981		SV5STC36	1281

Montigo Direct Vent



Standard Series Direct Vent (4" / 7")

Description	Order Code
HORIZONTAL TERMINATIONS	
 MTO-3	3" length, no mounting frame (use with MSR or MOSR)
 MTO-3F	3" Termination, with integral mounting frame
VERTICAL TERMINATION	
 MVTK-1	Termination for vertical installations
 EXT-18	Includes MXT-10 adaptor (for straight, vertical installations)
 MEXT-1, MEXT-2, MEXT-3, MEXT-4	Termination Touch-Up Paint
 MFL-1, MFL-18, MFL-2, MFL-3, MFL-4	Paint03
VENT PIPES	
Extensions	
	18" rigid section (female/female)
	12" rigid section (female/male)
	24" rigid section (female/male)
	36" rigid section (female/male)
	48" rigid section (female/male)
	72" rigid section (female/male)
Flex Sections	
	12" flex section (female/female connectors)
	18" flex section (female/female)
	24" flex section (female/female)
	36" flex section (female/female)
	48" flex section (female/female)
Elbows	
	45° solid elbow section.(female/male connectors)
	90° elbow (female/female)
	90° elbow (male/male).
	90° elbow (female/male).
	Clearance Reducing Sleeve
Vertical Installation Adaptor	
	10" flue adaptor for straight, vertical installations (female/female)
Vent Connector	
	4" vent connector (male/male)
TERMINATION FRAMES	
	Siding or Stucco Frame
	Used for easy installation of termination.
	Siding or Stucco Can
	Used to provide installation of termination from the inside of the building.
	Brick Siding Can
	Used for installation of termination on brick wall.
	4" depth
	6" depth

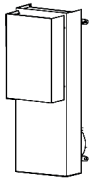


BSR-4, BSR-6

Montigo Direct Vent



Standard Series Direct Vent (4"/ 7")



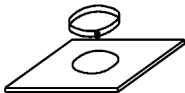
SNK47-2, SNK47-3



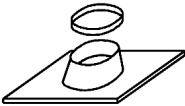
MTKOG



FS-7 (7" Firestop)



MSPXT-7(7" Support Plate)



MRF-7, MRF-12

Description

Order Code

SNORKEL TERMINATIONS

18" vertical rise	SNK47-2
30" vertical rise	SNK47-3

HEAT GUARD

Fits all Standard Series (4/7") terminations	MTKOG
--	-------

HEAT SHIELDS

Through-the-wall Radiation Shield for 4"/7" venting	RHS100
Vinyl Siding Shield Recommended for protecting vinyl siding	RHS105
<small>(above was Discontinued Replace with VSS)</small>	
Vinyl Siding Shield Recommended for protecting vinyl siding	VSS

VERTICAL INSTALLATION ACCESSORIES

7" Firestop	FS7
7" Support plate & support ring	MSPXT7
7" Support plate & support ring (Bulk pack of 6)	MSP706
Flashing and storm collar for 1/12 to 7/12 pitch roof	MRF7
Flashing and storm collar for 1/12 to 7/12 pitch roof (Bulk pack of 6)	MRF706
Flashing and storm collar for 7/12 to 12/12 pitch roof	MRF-12
Flashing and storm collar for 7/12 to 12/12 pitch roof (Bulk pack of 6) ..	MRF1206

Horizontal Vent Restrictors

For 8' - 14' horizontal vent run	MHVR8
For 15' - 24" horizontal vent run	MHVR15
For 25' - 35' horizontal vent run	MHVR25
Vent restrictors may not be required. Contact the factory for more information.	

Vertical Vent Restrictors

For 8' - 14' vertical vent run	MVVR8
For 15' - 24" vertical vent run	MVVR15
For 25' or greater vertical vent run	MVVR25
Vent restrictors may not be required. Contact the factory for more information.	

MOBILE HOME KITS

Wall Penetration Kit (For 2 x 4 Construction)	WPKMH4
Kit includes wall shield and 4" termination. Suitable for all corner installations & straight through the wall installations with 2 x 4 construction.	
Wall Penetration Kit (For 2 x 6 Construction)	WPKMH6
Kit includes wall shield and 5" termination.	

Montigo Direct Vent



Premium Series Direct Vent (5"/8")

	Description	Order Code
HORIZONTAL TERMINATIONS		
	3" Termination with no mounting frame (male connector)	PTO3
	(use with MSR or MOSR). 3" Termination & mounting frame (male connector)	PTO3F
VERTICAL TERMINATION		
	Termination for vertical installations (male connector)	PVTK1
	Includes PXT-10 adaptor (for straight, vertical installations).	
VENT PIPES		
Note: For all Rear Vent applications with no vertical rise, there is a maximum horizontal run of 20".		
Extensions		
	5" rigid section (female/female connectors)	PXT5
	10" rigid section (female/female)	PXT10
	20" rigid section (female/female)	PXT20
	12" rigid section (female/male connectors)	PEXT1
	24" rigid section (female/male)	PEXT2
	36" rigid section (female/male).....	PEXT3
	48" rigid section (female/mal.....	PEXT4
	72" rigid section (female/male)	PEXT6
Flex Sections		
	12" flex section (female/female connectors)	PFL1
	18" flex section (female/female.....	PFL18
	24" flex section (female/female)	PFL2
	36" flex section (female/female)	PFL3
	48" flex section (female/female)	PFL4
Elbows		
	45° elbow (female/male connectors)	PEL45FM
	90° elbow (female/female connectors)	PEL90F/F
	90° elbow (male/male)	PEL90M/M
	90° elbow (female/male)	PEL90F/M
	Clearance Reducing Sleeve	CRS30
Vent Connector		
	4" length vent connector (male/male connectors)	PVA
Vertical Vent Reducer		
	10" length, reduces vertical 5"/8" venting to 4"/7" (male/female connectors) PVA5487	
TERMINATION FRAMES		
	Siding or Stucco Frame	MSR
	Used for easy installation of termination.	
	Siding or Stucco Can	MOSR
	Used to provide installation of termination from the inside of the building.	
Brick Siding Can		
	Used for installation of termination on brick wall.	
	4" depth	BSR-4
	6" depth	BSR-6

Montigo Direct Vent



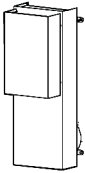
Premium Series Direct Vent (5"/8")

Description

Order Code

SNORKEL TERMINATIONS

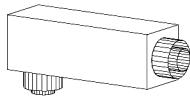
18" vertical riseSNK58-2
 30" vertical riseSNK58-3



SNK47-2, SNK47-3

INSULATED OFFSET BOX

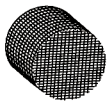
M38DV-ST offset box. Used only on the M38DV-ST when a shelf or T.V. stand is required above the fireplace. DVSTCNT



DVST-CNT
 (Insulated Offset Box)

HEAT GUARD

Fits all Premium Series (5"/8" dia.) terminationsPTKOG



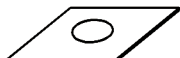
PTKOG

HEAT SHIELDS

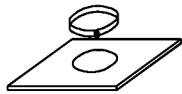
Through-the-wall Radiation Shield for 5"/8" ventingRHS101
Vinyl Siding Shield Recommended for protecting vinyl sidingRHS105 **Discontinued**
 Replace with **VSS**
Vinyl Siding Shield Recommended for protecting vinyl siding VSS

VERTICAL INSTALLATION ACCESSORIES

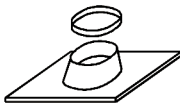
8" FirestopPS8
 8" Support plate & support ringPSPXT-8
 8" Support plate & support ring (Bulk pack of 6)PSP806
 Flashing and storm collar for 1/12 to 7/12 pitch roofPRF7
 Flashing and storm collar for 1/12 to 7/12 pitch roof (Bulk pack of 6)PRF706
 Flashing and storm collar for 7/12 to 12/12 pitch roofPRF12
 Flashing and storm collar for 7/12 to 12/12 pitch roof (Bulk pack of 6)PRF1206



PS-8 (8" Firestop)



PSPXT-8 (8" Support Plate)



PRF-7, PRF-12

Horizontal Vent Restrictors

For 8' - 14' horizontal vent run PHVR8
 For 15' - 24" horizontal vent runPHVR15
 For 25' - 35' horizontal vent runPHVR25
 Vent restrictors may not be required. Contact the factory for more information.

Vertical Vent Restrictors

For 8' - 14' vertical vent runPVVR8
 For 15' - 24" vertical vent runPVVR15
 For 25' or greater vertical vent runPVVR25
 Vent restrictors may not be required. Contact the factory for more information.

Connecting To An Existing Chimney

The Clarity may be connected to an existing masonry chimney by using a **Simpson Dura-Vent conversion kit #934**.

With this kit and a 4" flex liner in the chimney, the flue gases exit through the 4" liner, and the outside air comes down the chimney, in the space between the chimney and the liner. This method allows you to install the Clarity using your chimney and still get the added efficiency provided by direct venting.

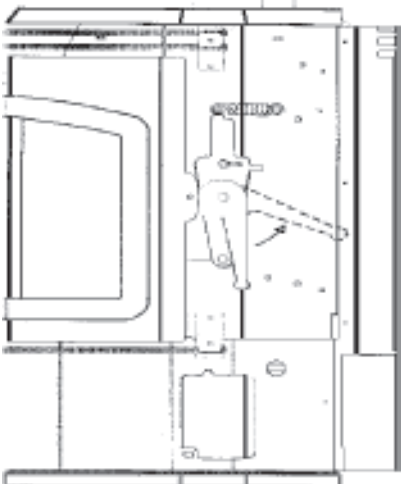
The use of an existing chimney as an air intake is not covered under the ANSI Z21.88b-2003, CSA 2.33b-2003 test methods and the resulting ITS/WHI product certification: The code Authority Having Jurisdiction must be consulted prior to proceeding.

The Clarity is shipped from the factory with the log set packed inside the firebox. To prepare the stove for installation; The log set must be unpacked. The appropriate fuel conversion for natural gas, if desired, installed. Install the logs as instructed.

Removing the Glass Front

NOTE: The glass front is heavy. Be prepared for its weight when lifting it to avoid damage during removal.

The wing doors on each side are held closed by magnets. Push on each door to open it. Loosen the wing nut on each of the two spring-loaded levers. Grasp each lever and push to the rear to disengage the front. To keep the levers in the disengaged position, tighten the wing nuts. Lift the glass front slightly and remove it from the stove. Set the glass aside in a safe place where it will not be damaged.



The front is released when spring-loaded levers on the left and right sides are pushed to the rear

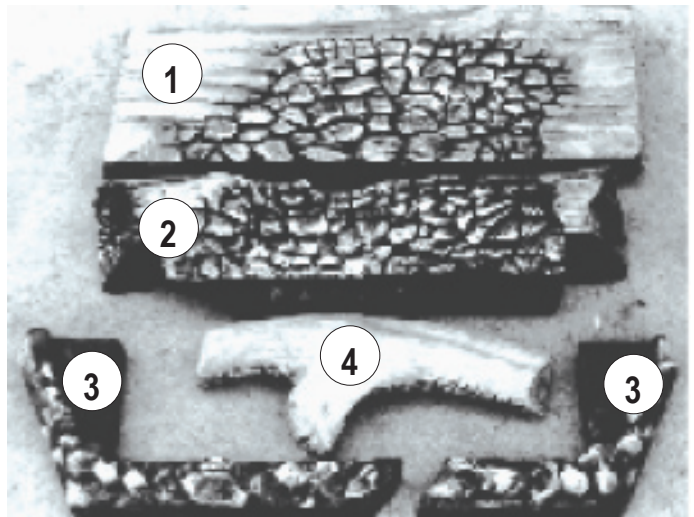
WARNING: Do not abuse the Clarity's glass by striking, slamming, or similar trauma. Do not operate the Clarity Gas Heater with the glass panel removed, cracked or broken. Use only glass supplied by Harman and approved for use with this heater. Do not use substitute materials. Replacement of the panel should be done by a licensed or qualified service person.

Remove and Unwrap the Log Set

As shown in the photo below, the log set consists of a back log (1), a center log that has a pilot-viewing port in the left end (2), two ember strips (3), and a branch that rests on top (4).

In addition, there are two side brick panels and a back brick panel.

The log set components are shipped from the factory individually wrapped and packed inside the stove. Take them out of the stove, then carefully remove the wrapping. Handle the logs gently to prevent damage.



Install the Back Log and Back Brick Panel

These two components are installed as a single piece. Rest the back brick panel on the shelf located on the back side of the back log, and center it. Holding the two pieces as a single unit, tilt the top forward slightly and maneuver it over the top of the rear burner—taking care that the top corners clear the front opening. Place it snugly against the back wall and center it.

Install the Side Brick Panels

These slide into place along each side and are held by friction. The notch in each panel faces the back. Install one side, and then the other.

Install the Ember Strips

The ember strips rest against the front of the firebox and should fit snugly. Guide them toward you and to the outside until they fit snugly. Check the air slot in the inside of the ember strips to confirm that they do not obstruct it.

Optional Ember Screen

There is an optional ember kit available which replaces the two-piece ember strips with a screen for over the front burner and some rock-wool and nuggets to give a more realistic fire appearance. If choosing this option, install it now.

Install the Center Log

The center log goes all the way to the back and should be centered. When properly positioned, there should be an even gap along the front of the center burner in the cavity in the log. A small portion of the log support frame will be revealed.

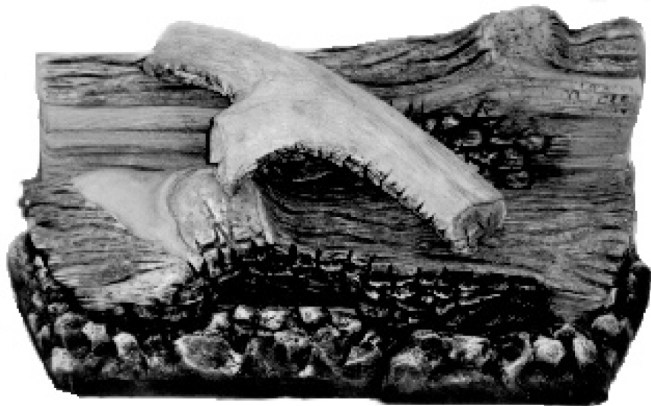
The center log has a round viewing port in the left end through which the pilot can be observed.

Install the Branch

Orient the branch with the forked end toward the left rear of the stove and slip it over the two locator pins, one on top of the back log and the other on the top of the center log.

Secure the Glass Front

NOTE: The glass front is heavy. Lift it carefully to prevent damage. Center the glass on the opening and suspend it in place by placing the tab hooks over the top edge of the opening. Loosen the wing nuts that hold the spring-loaded levers in place. Press the glass slightly against the stove to confirm that it seats properly, then press it firmly against the front while pulling the levers forward to engage them. Tighten the wing nuts.



The complete log set with all logs in the correct position.

Any safety screen or guard removed for servicing an appliance must be replaced prior to operating the appliance.

Connecting the Cordset

The Clarity Direct Vent Gas Heater must be installed in accordance with local codes or, in the absence of local codes, with the most recent edition of the National Electrical Code ANSI/NFPA 70, or the current Canadian Electrical Code C22.1.

NOTE: The convection fan requires a 120 VAC supply for operation, but the heater can be operated without the fan as in the case of a power outage.

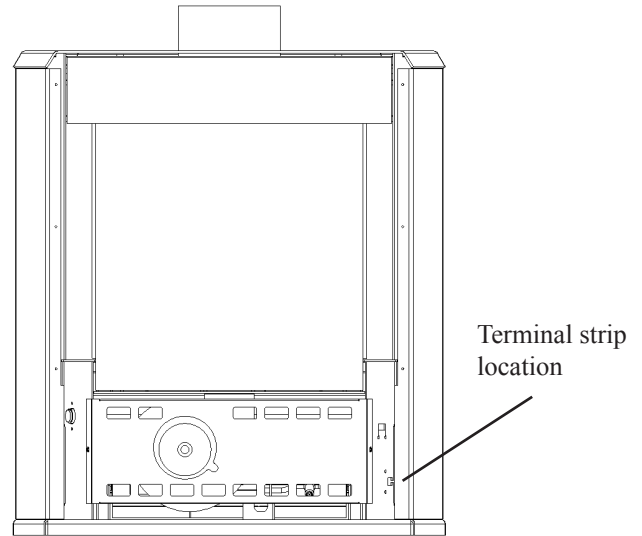
Plug the 3-prong grounded electrical cord plug into the wall.

WARNING: This heater is equipped with a three-pronged grounding plug that should be plugged directly into a properly grounded receptacle. Do not cut or remove the grounding prong from the plug.

Connecting the Optional Thermostat

If the optional thermostat is used, it must be plugged into the terminal strip located in the left rear corner of the heater.

When installing a millivolt control system, use only a special low resistance thermostat. Do not use a regular heating thermostat.



Rear view of Clarity

Be sure that all electrical connections are clean, free from corrosion, and tight. Inspect connections periodically to confirm that no corrosion has built up over time.

When properly installed and maintained, a millivolt control system should give many years of trouble-free service.

It is important to use wire of a gauge proper for the length of the wire:

RECOMMENDED WIRE GAUGES

<i>Maximum Length</i>	<i>Wire Gauge</i>
100'	14
60'	16
40'	18
25'	20
15'	22

The final step of the installation is to check the flame pattern, which should resemble the pattern illustrated in the right column: The flames should be relatively well-defined and stable. They should be bright yellow with a blue base where attached to the burner ports, and should not look orange or sooty.

Start the heater according to the directions, and allow the heater to burn for approximately 15 minutes. The flames will increase in length and become more yellow in color as the Clarity heats up.

If the flames do not resemble the description above and the illustration in the right column, the air shutters may need to be adjusted.

Three separate screws—one for each burner—are used to adjust the flames for a particular installation. Two of them are accessible through the side access port on the right side of the stove. The third is accessible from the front when the control door is open. The screws may become hot to the touch after prolonged operation. Use a glove to avoid contact if hot. For best results when fine-tuning the flame picture, initially, leave the middle screw unchanged from its factory setting. Turn the other two screws as needed to increase or decrease the brightness and length of the flame: turning counterclockwise will decrease the flame; turning clockwise will increase the flame.

1. To adjust the rear burner, open the right wing door, reach through the side access port, and turn the rear screw to adjust flame (see directions above).

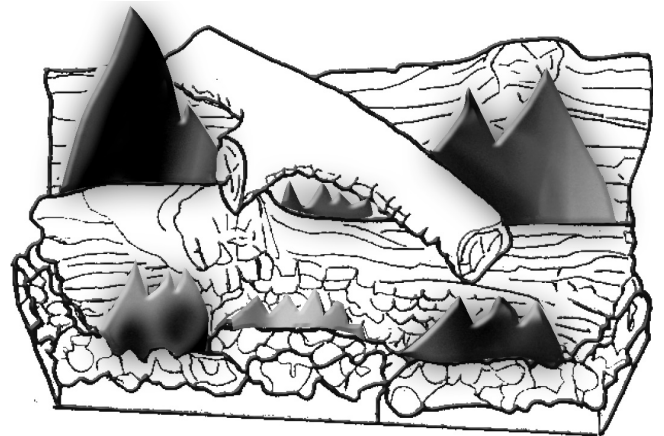
2. To adjust the front burner, first open the control door, then turn the front screw to adjust flame (see directions above).

Repeat the procedure as needed until the desired flame effect is achieved.

Monitoring the Gas Flame

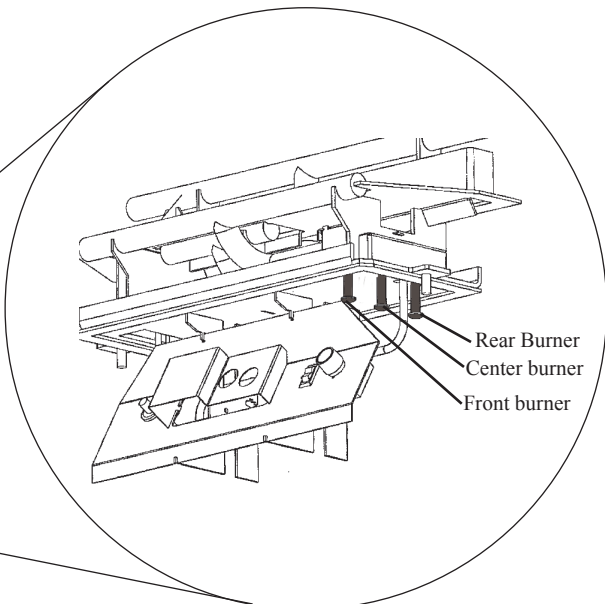
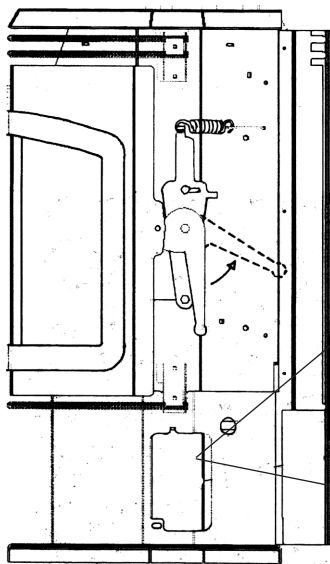
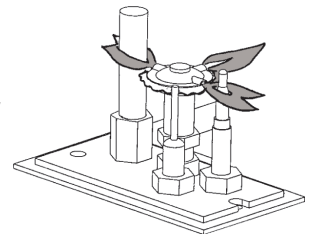
Periodically, the flames of the Clarity Direct Vent Gas Heater should be checked while it is in operation. The flames should be relatively well-defined and stable. They should be bright yellow with a blue base where attached to the burner ports. The flames should not look orange or sooty. Portions of the logs will glow red when the flames are properly adjusted.

If you find the flames to be other than that described here, do not operate the heater. Consult a qualified service person or your Harman dealer for advice.



The Clarity flame pattern will resemble this when the unit is burning properly.

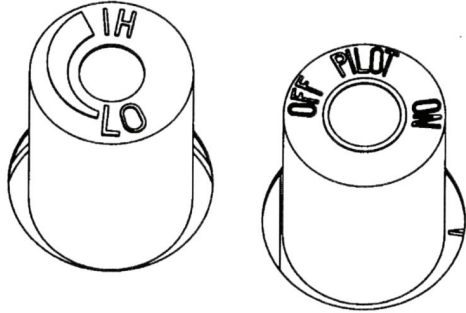
The properly-burning pilot will resemble the illustration to the right.



Air adjustment screws

HOW TO LIGHT THE FIRE

1. STOP! Read the safety information on the left side of the panel on page 21.
2. If using the optional thermostat, set thermostat to the lowest setting.
3. Turn off electric power to the appliance.
4. Turn the ON-OFF/THERMOSTAT switch to the OFF position.
5. Push in the gas control knob slightly and turn it clockwise to "OFF." NOTE: The knob cannot be turned from



"PILOT" to "OFF" unless it is pushed in slightly. Do not force it.

6. Wait five (5) minutes to clear out any gas. If you then smell gas, STOP! Follow "B" in the safety information on page 21. If you don't smell gas, go to the next step.
7. Set the High-Low Regulator to High by turning it fully counterclockwise.
8. Press in the gas control knob slightly and turn counterclockwise to "PILOT."
9. Find the pilot by looking through the round opening on the left end of the center log.
10. Push the control knob fully down and hold. Immediately push the red piezo ignitor button to light the pilot. It is normal to have to push the red button several times before the pilot ignites. Continue to hold the control knob in for about one (1) minute after the pilot is lit. Release the knob and it will pop back up. Pilot should remain lit. If it goes out, repeat steps 5 through 9.
 - If the knob does not pop up when released, stop and immediately call your service technician or gas supplier.
 - If the pilot will not stay lit after several tries, turn the gas control knob to "OFF" and call your service technician or gas supplier.
11. Turn the gas control knob counterclockwise to "ON."
12. Place the ON-OFF/THERMOSTAT switch in the ON position or in the THERMOSTAT position if the optional thermostat is used.
13. Turn on the electric power to the heater.
14. Set the optional thermostat to the desired room temperature.
15. Set the High-Low Regulator to desired setting: turn

fully counterclockwise for High and fully clockwise for Low.

NOTE: An odor resulting from the initial heating of new materials in your heater is not unusual during the first fire, and in most cases will disappear after an hour or two.

HOW TO TURN OFF THE FIRE

1. If using optional thermostat, set thermostat to the lowest position.
 2. Turn off the electric power to the appliance.
 3. Turn the ON-OFF/THERMOSTAT switch to the OFF position.
 4. Push in the gas control knob slightly and turn it clockwise to "OFF."
- NOTE: The knob cannot be turned from "PILOT" to "OFF" unless it is pushed in slightly. Do not force it.

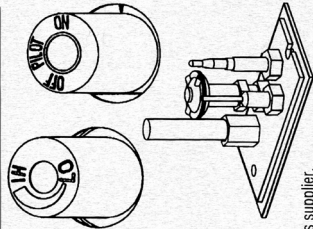
FOR YOUR SAFETY READ BEFORE OPERATING

WARNING: If you do not follow these instructions exactly, a fire or explosion may result causing property damage, personal injury, or loss of life.

- This appliance has a pilot. When lighting the pilot, follow these instructions exactly.
- BEFORE OPERATING** smell all around the appliance area for gas. Be sure to smell next to the floor because some gas is heavier than air and will settle on the floor.
 - Do not try to light any gas appliance.
 - Do not touch any electric switch; do not use any phone in your building.
 - Immediately call your gas supplier from a neighbor's phone. Follow the gas supplier's instructions.
 - If you cannot reach your gas supplier, call the fire department.
- Use only your hand to push in or turn the gas control knob. Never use tools. If the knob will not push in or turn by hand, don't try to repair it. Call a qualified service technician. Force or attempted repair may result in a fire or explosion.
- Do not use this appliance if any part has been under water. Immediately call a qualified service technician to inspect the appliance and to replace any part of the control system and any gas control that has been under water.

LIGHTING INSTRUCTIONS

- STOP!** Read the safety information on the panel above.
- If using optional thermostat, set thermostat to lowest setting.
- Turn off electric power to the appliance.
- Turn ON-OFF/THERMOSTAT switch to **OFF** position.
- Push in gas control knob slightly and turn clockwise to **OFF**. NOTE: Knob cannot be turned from **"PILOT"** to **"OFF"** unless knob is pushed in slightly. Do not force.
- Wait five (5) minutes to clear out any gas. If you then smell gas, **STOP!** Follow "B" in the safety information above on this label. If you don't smell gas, go to the next step.
- Set High-Low Regulator to **HIGH** by turning fully counterclockwise to **"PILOT"**.
- Press in the gas control knob slightly and turn it counterclockwise to **"PILOT"**.
- Find the pilot by looking through the round opening in the left end of the center log.
- Push the control knob fully down and hold. Immediately push the red piezo ignitor button to light the pilot. It is normal to have to push the red button several times before the pilot ignites. Continue to hold the control knob in for about one (1) minute after the pilot is lit. Release knob and it will pop back up. Pilot should remain lit. If it goes out, repeat steps 5 through 9.
- If knob does not pop up when released, stop and immediately call your service technician or gas supplier.
- If the pilot will not stay lit after several tries, turn the gas control knob to **OFF** and call your service technician or gas supplier.
- Turn gas control knob counterclockwise to **"ON"**.
- Place the ON-OFF/THERMOSTAT switch in **ON** position or in the **THERMOSTAT** position if the optional thermostat is used.
- Turn on electric power to appliance.
- Set the optional thermostat to desired room temperature.
- Set the High-Low Regulator to desired setting; turn fully counterclockwise for **High** and fully clockwise for **Low**.



TO TURN OFF GAS TO APPLIANCE

- If using optional thermostat, set thermostat to the lowest position.
- Turn off electric power to the appliance.
- Turn ON-OFF/THERMOSTAT switch to **OFF** position.
- Push in gas control knob slightly and turn clockwise to **"OFF"**. NOTE: Knob cannot be turned from **"PILOT"** to **"OFF"** unless knob is pushed in slightly. Do not force.

CAUTION: HOT WHILE IN OPERATION. DO NOT TOUCH. KEEP CHILDREN, CLOTHING, FURNITURE, GASOLINE, OR LIQUIDS WITH FLAMMABLE VAPORS AWAY.

ATTENTION: CHAUD PENDANT LE FONCTIONNEMENT, NE TOUCHEZ PAS. TENIR ÉLOIGNÉS LES ENFANTS, LE VÊTEMENTS ET LES MEUBLES.

Refer to label on rear of appliance for venting information. Keep burner and control compartment clean. Refer to owner's manual accompanying this appliance. Maintenir propres le brûleur et le compartiment de commande. Voir les instructions relatives à l'installation et au fonctionnement qui accompagnent le radiateur.
 Manufactured by Harman Stove Company, 352 Mountain House Road, Halifax, PA 17032. 717-362-9080. **DO NOT REMOVE OR COVER THIS LABEL**

A qualified service person recommended by your Harman dealer should conduct an annual inspection and maintenance of your Clarity, its venting, and the installation to keep it running safely and efficiently. The following procedures should be performed only by a qualified service person. The gas supply should be turned off whenever a maintenance procedure is performed.

If the glass front, side doors, or front access door are removed for servicing, they must be replaced prior to operating the Clarity.

Removing the Glass for Replacement

To remove the glass panel in the door, remove upper and lower glass clips and lift the glass out. Use only authorized Harman replacement glass components available from your Harman dealer.

Replacing the Gasket

The Clarity has 5/8" diameter fiberglass gasket in the front door. Should it ever need replacement, use only the proper replacement gasket that is available from your Harman dealer. To replace the gasket, follow this procedure.

1. Open the door
2. Remove the existing gasket and clean its channel with a scraper or wire brush.
3. Lay a thin bead of high temperature silicone the entire length of the channel.
4. Lay the gasket in the channel with sufficient pressure that it stays in place.
5. Trim the excess from the end of the gasket so that it butts snugly against the other end without leaving a gap. Seal the end joint with high temperature silicone.
6. Close the door and apply firm pressure to seat the gasket evenly throughout.

Cleaning the Glass

The glass may be cleaned with ordinary household glass cleaner and a soft cloth or paper towel.

WARNING: Never clean the glass when it is hot. Do not use abrasive cleaners on the glass.

Inspecting the Venting

An inspection of both the inner and outer pipes of the venting system should be made during the annual service appointment. They must have no blockage and be in good repair. The vent manufacturer's instructions may provide specific suggestions or details on vent inspection. Any sections that are taken apart for the inspection must be reassembled and sealed as required.

Cleaning the Log Set and Firebox

During the annual inspection and maintenance appointment, the service person should clean dust, lint, and any light accumulation from the logs and the firebox area. An extra-soft brush should be used on the logs as they are extremely fragile; a vacuum cleaner may be used on the firebox. If at any time the logs cannot be removed or installed without forcing, the cause must be found. The logs must never be forced.

Removing the Front

See directions on page 15.

Removal & Re-installation of the Log Set for Cleaning

CAUTION: The ceramic logs are durable when handled and installed properly. However, they are delicate and may be damaged easily if not handled with care. Handling damage to the ceramic logs is not covered by warranty.

DO NOT HANDLE LOGS WHILE THEY ARE HOT. ALLOW PLENTY OF TIME FOR THE STOVE TO COOL COMPLETELY BEFORE HANLDING.

Remove the Branch

Detach the branch from the two locator pins and remove it. Brush it gently and carefully place it to one side.

Remove the Center Log

Lift the center log and remove it. Brush it gently and carefully place it to one side with the branch.

Remove the Ember Strips

Carefully remove the ember strips, clean them, and place them with the other logs.

Remove the Side Brick Panels

Carefully remove first one side panel, and then the other. Clean and place to side.

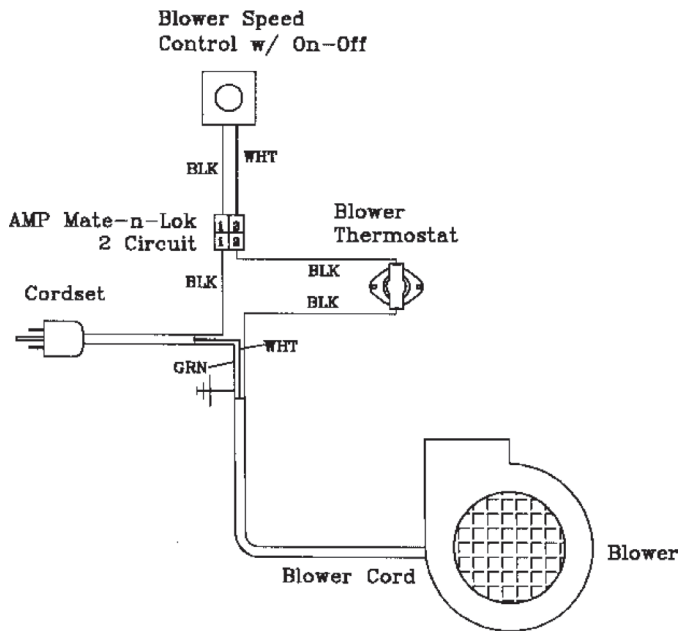
Remove the Back Log and Back Brick Panel

Finally, carefully remove these two components as a single piece. Brush them gently and place them to the side.

Finish the procedure by vacuuming the interior of the firebox, then re-install the logs and secure the glass front following the procedures on page 15&16.

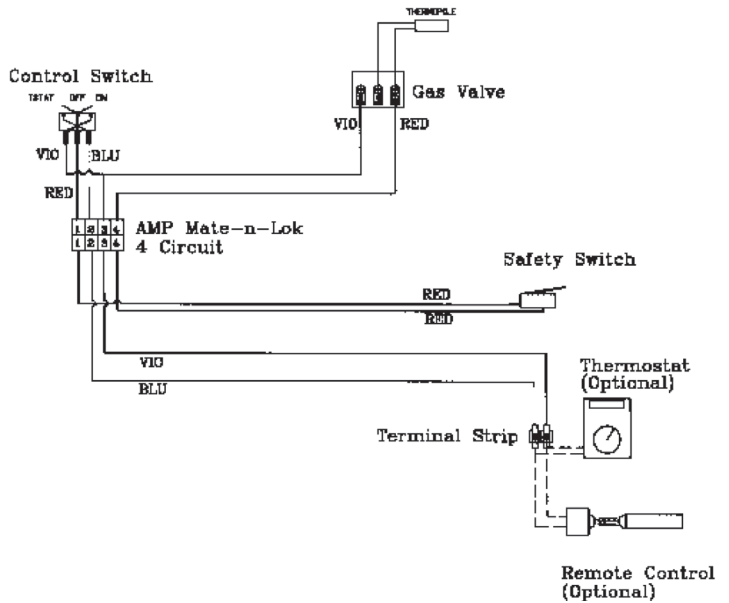
The appliance area must be kept clear and free from combustible materials, gasoline and other flammable vapors and liquids.

115 VAC Wiring



Clarity Direct Vent Wiring Diagram

Low Voltage (MVDC) Wiring



The Clarity Direct Vent gas heater, when installed, must be electrically grounded in accordance with current local codes or, in the absence of local codes, with the current edition of National Electrical Code, ANSI/NFPA 70 in the United States or the current Canadian Electrical Code CSA 22.1 in Canada.

WARNING: This heater is equipped with a three-pronged grounding plug that should be plugged directly into a properly grounded receptacle. Do not cut or remove the grounding prong from the plug.

DO NOT USE THIS HEATER IF ANY PART HAS BEEN UNDER WATER OR EXPOSED TO MOISTURE CORROSION. IMMEDIATELY CALL A QUALIFIED SERVICE TECHNICIAN TO INSPECT THE HEATER AND REPLACE ANY PART OF THE CONTROL SYSTEM AND ANY GAS CONTROL WHICH HAS BEEN UNDER WATER.

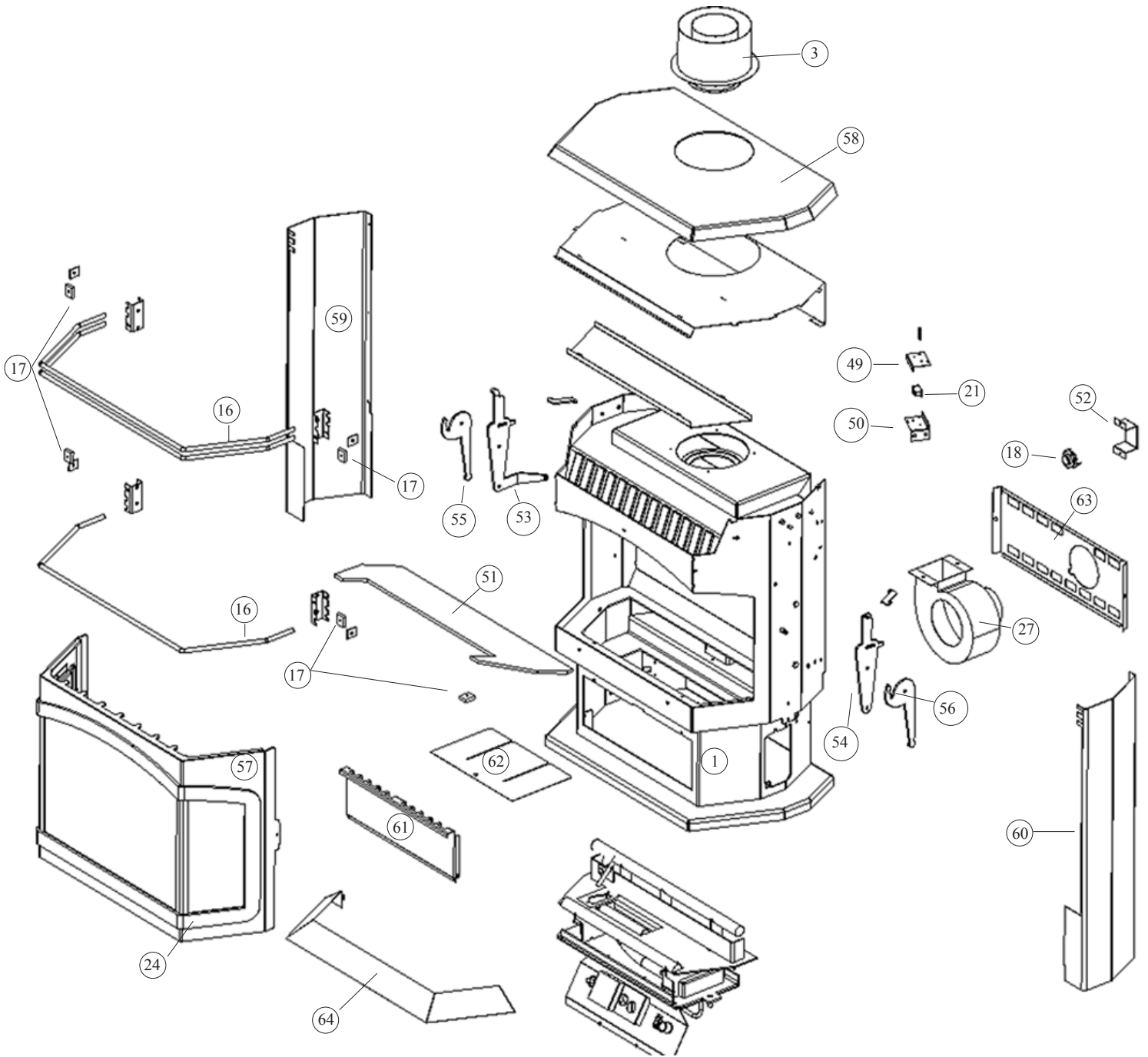
NE PAS SE SERVIR DE CET APPAREIL S'IL A ÉTÉ PLONGÉ DANS L'EAU, COMPLÈTEMENT OU EN PARTIE. APPELER UN TECHNICIEN QUALIFIÉ POUR INSPECTER L'APPAREIL ET REMPLACER TOUTE PARTIE DU SYSTÈME DE CONTRÔLE ET TOUTE COMMANDE QUI ONT ÉTÉ PLONGÉS DANS L'EAU.

CAUTION: Label all wires prior to disconnection when servicing controls. Wiring errors can cause improper and dangerous operation. Verify proper labeling after servicing.

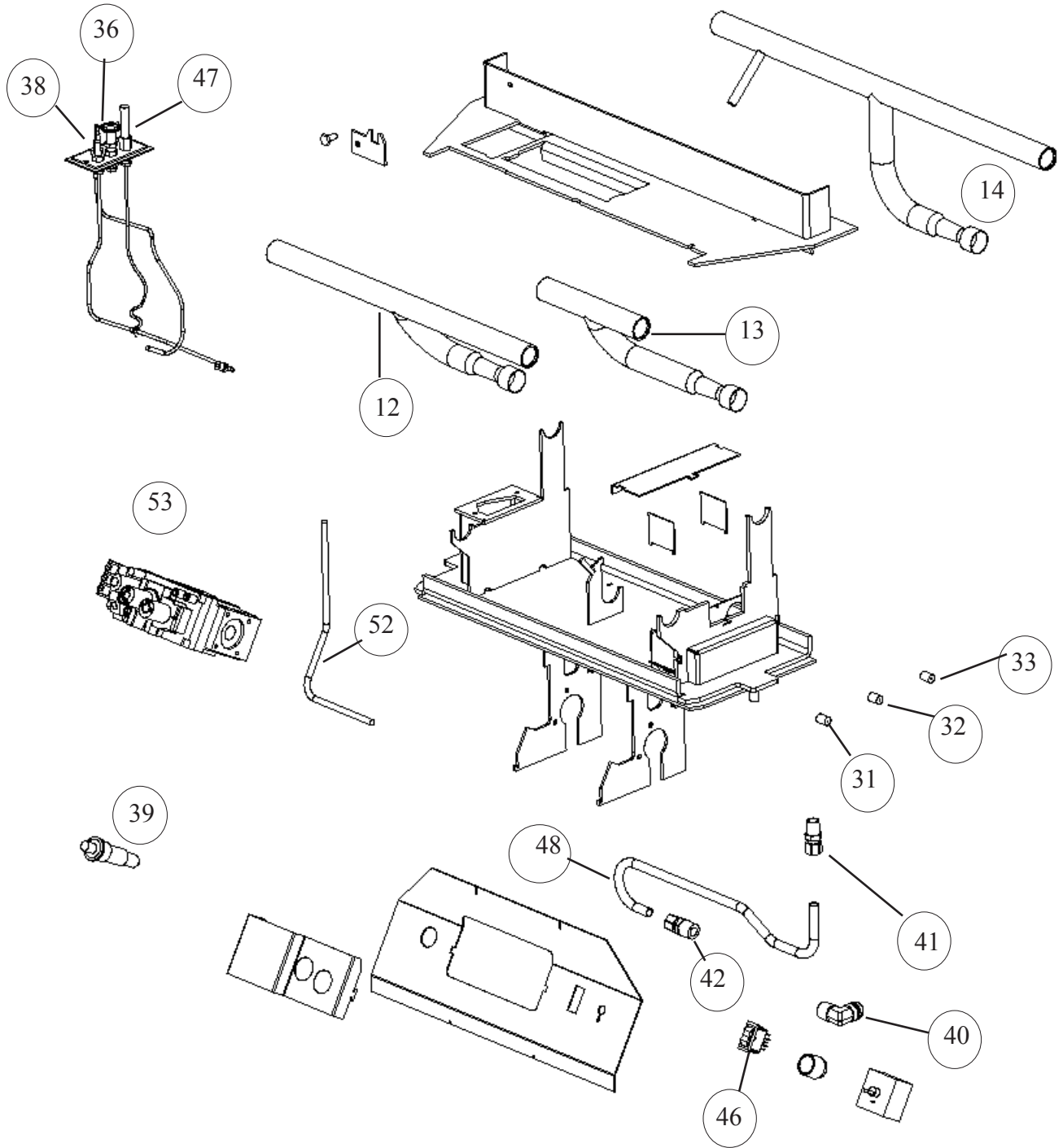
«ATTENTION. Au moment de l'entretien des commandes, étiquetez tous les fils avant de les débrancher. Des erreurs de câblage peuvent entraîner un fonctionnement inadéquat et dangereux. S'assurer que l'appareil fonctionne adéquatement une fois l'entretien terminé.»

The following replacement parts for your Harman Clarity Direct Vent are available from your Harman dealer.

ID#	Part No.	Part	ID#	Part No.	Part
1.	1-89-08250	DVG weldment	37.	3-40-08715	Pilot, LP
2.	3-44-08294	Starting Collar Gasket	38.	3-40-08906	Thermocouple
3.	3-40-3849239	Starting Collar	39.	3-40-08220	Piezo ignitor
4.	3-40-08286	1/2" gas inlet flex	40.	3-31-08282	90° brass elbow
5.	3-40-08235	Rear log	41.	3-31-08283	1/4" tp 3/8" male compression fitting
6.	3-40-08236	Front log	42.	3-31-08234	3/8" tp 3/8" male compression fitting
7.	3-40-08237	Top log	43.	3-30-310056082	BHSCS 5mm X 8mm for valve
8.	3-40-08401	Ember strip	44.	3-20-326006	18" valve harness
9.	3-40-08232	Left brick panel	45.	3-20-326005	Harness w/VSC
10.	3-40-08233	Right brick panel	46.	3-20-08221	On-Off rocker switch
11.	3-40-08234	Rear brick panel	47.	3-20-08219	Thermopile
12.	3-40-08693	Front burner tube	48.	2-00-08281	3/8" tubing
13.	3-40-08225	Center burner tube	49.	2-00-4200	Safety switch bracket, lower
14.	3-40-08226	Rear burner tube	50.	2-00-4201	Safety switch bracket, upper
15.	3-31-965487	Ext. spring	51.	2-00-4172	Baffle
16.	3-40-00141	Formed wire gold trim	52.	2-00-4173	Snap disc fan control bracket
17.	3-31-08225	Magnet	53.	1-10-08265-1	Latch arm, left
18.	3-20-408412	Snap disc fan control	54.	1-10-08265-2	Latch arm, right
19.	3-20-326007	21" harness w/terminal block	55.	2-00-4138-1	Latch cam, left
20.	3-20-326004	Power cord	56.	2-00-4138-2	Latch cam, right
21.	3-20-00907	Safety switch	57.	1-10-08287	Front door assembly
22.	3-42-2312	Glass gasket	58.	1-10-08258	Top
23.	3-44-1086405	5/8" tight knit rope for door	59.	1-10-08262-1	Left wing door
24.	3-43-4103	Gold plated door frame	60.	1-10-08262-2	Right wing door
25.	3-40-120	13-3/4" X 19" glass	61.	2-00-4162	Control door
26.	3-40-121	5-3/4" X 13-3/4" glass	62.	2-00-4210	Control heat shield
27.	3-21-22647	Distribution blower	63.	2-00-4177	Lower rear access cover
28.	3-44-08287	Pilot tower gasket	64.	2-00-4169	Base trim
29.	3-40-820628	NG valve			
30.	3-40-82057	LP valve			
31.	3-40-57356	#56 orifice, LP front/NG center			
32.	3-40-64347	#47 orifice, NG front			
33.	3-40-64739	#39 orifice, NG rear			
34.	3-40-57271	#71 orifice, LP center			
35.	3-40-57753	#53 orifice, LP rear			
36.	3-40-08714	Pilot, NG			



CLARITY BURNER MODULE : EXPLODED VIEW



Clarity Direct Vent 929DV Gas Heater

Tested to ANSI Z21.88-2002, CSA 2.33-M02, and CAN/CGA 2.17-M91.

	NATURAL GAS	PROPANE
Input Rating (Btu/hr) (0-4500 ft) (0-1375 m)	40,000	40,000
Min. Input Rating (Btu/hr) (0-4500 ft) (0-1375 m)	27,000	28,000
Injectors (DMS) (front/middle/rear) (0-4500 ft) (0-1375 m)	45/56/39	56/71/53
Manifold Pressure (in w.c./kPa)	3.5/0.87	10.0/2.49
Minimum Manifold Pressure (in w.c./kPa)	1.7/0.42	5.9/1.47
Minimum Inlet Pressure (in w.c./kPa)	5.0/1.25	11.0/2.74
Maximum Output (Btu/hr) (0-4500 ft) (0-1375 m)	31,200	32,100
AFUE (seasonal efficiency; minimum venting)	71.6 %	73.8 %
Steady State Efficiency (max. input, blower on High)	80.2 %	83.3 %

MINIMUM CLEARANCES FROM COMBUSTIBLE CONSTRUCTION

Unit to left sidewall	9 in. (230 mm)
Unit to right sidewall	9 in. (230 mm)
Unit corner to walls	4 in. (100 mm)
Unit to backwall	3 in. (75 mm)
(measured from rear of stove to wall)	
Unit to alcove ceiling	18 in. (460 mm)
Maximum alcove depth	14 in. (460 mm)

Electrical Rating: 120 Volts 60 Hz Less than 1 Amp

Stove weight: 237 lbs.

Converting the Clarity Direct Vent from One Gas to Another in the Field

NOTE: THE CONVERSION SHALL BE CARRIED OUT IN ACCORDANCE WITH THE REQUIREMENTS OF THE PROVINCIAL OR LOCAL AUTHORITIES HAVING JURISDICTION AND IN ACCORDANCE WITH REQUIREMENTS OF THE CURRENT EDITION OF THE NATIONAL FUEL GAS CODE, ANSI Z223.1 or the CAN/CGA-B149 INSTALLATION CODES.

Conversion Kit Components

- 2 Burner orifices
- 1 Pilot orifice
- Regulator Assembly
- Conversion Instructions
- Installer Fuel Label- (shown below)
- Conversion Label- *Must be attached to valve upon completion.*



Natural gas conversion Kit, Item # **1-00-08260**

Propane conversion Kit, Item # **1-00-08280**

Steps For Completing The Fuel Conversion.

Prior to installing the fuel conversion, remove the Glass door and the log set, to gain access to the burner module. Remove the burner tubes by sliding to the left while lifting upward. Remove the burner cover plate and the tube box top.

Step 1: Remove pilot hood with a 7/16" wrench. Inside, you will find and discard the Propane orifice. Install the new Natural Gas orifice from the kit. Tighten the pilot hood and assure proper alignment of the directional openings.

Step 2: Using a 1/2 in. deep-well socket, remove the three main burner orifices. Install the new orifices accordingly; Front = #47, Middle = #56, Rear = #39. Notice the #56 that you removed from the front will be used in the middle for Natural Gas. Apply a thread sealer to the orifices prior to installing.

Step 3: Using a small flat-blade screwdriver, remove the three screws that hold the LP knob module in place. Remove the module and replace it with the Natural Gas module from the kit. See kit instructions.

Step 4: Affix the conversion label to the valve so that any future service tech etc... can plainly see that the valve was converted.

Step 5: Mark the appropriate fuel box on the unit label using a permanent marker.

Step 6: Affix the Installer Fuel Label in place of the existing one.

Important: Perform a leak test upon completion of the fuel conversion.



HARMAN CLARITY DIRECT VENT & B VENT							
This Appliance is equipped for <u>NATURAL GAS</u> fuel.							
Cet appareil a ete converti au <u>GAZ NATUREL</u> .							
Injectors/Injecteur:	<table border="1"> <tr> <td>Front</td> <td>Center</td> <td>Rear</td> </tr> <tr> <td>DMS 47</td> <td>DMS 56</td> <td>DMS 39</td> </tr> </table>	Front	Center	Rear	DMS 47	DMS 56	DMS 39
Front	Center	Rear					
DMS 47	DMS 56	DMS 39					
Input/Debit calorifique:	40,000						
Manifold Pressure / Pression a la tubulure d'alimentation:	3.5						
Inlet Pressure / Pression D'arrivee:	<table border="1"> <tr> <td>Min.</td> <td>5.0</td> </tr> <tr> <td>Max.</td> <td>7.0</td> </tr> </table>	Min.	5.0	Max.	7.0		
Min.	5.0						
Max.	7.0						
Date module installed:	_____						
By:	_____						

The above label on the Clarity's burner system module indicates that the unit is equipped to burn natural gas.

HARMAN CLARITY DIRECT VENT & B VENT							
This Appliance is equipped for <u>PROPANE</u> fuel.							
Cet appareil a ete converti au <u>PROPANE</u> .							
Injectors/Injecteur:	<table border="1"> <tr> <td>Front</td> <td>Center</td> <td>Rear</td> </tr> <tr> <td>DMS 56</td> <td>DMS 71</td> <td>DMS 53</td> </tr> </table>	Front	Center	Rear	DMS 56	DMS 71	DMS 53
Front	Center	Rear					
DMS 56	DMS 71	DMS 53					
Input/Debit calorifique:	40,000						
Manifold Pressure / Pression a la tubulure d'alimentation:	10.0						
Inlet Pressure / Pression D'arrivee:	<table border="1"> <tr> <td>Min.</td> <td>11.0</td> </tr> <tr> <td>Max.</td> <td>13.0</td> </tr> </table>	Min.	11.0	Max.	13.0		
Min.	11.0						
Max.	13.0						
Date module installed:	_____						
By:	_____						

The above label on the Clarity's burner system module indicates that the unit is equipped to burn propane.

CAUTION: LABEL ALL WIRES PRIOR TO DISCONNECTION WHEN SERVICING CONTROLS. WIRING ERRORS CAN CAUSE IMPROPER AND DANGEROUS OPERATION. VERIFY PROPER OPERATION AFTER SERVICING.

De-rating for High Altitude

For U.S. installations, the Clarity Direct Vent is approved for elevations up to 2000 feet using the factory-installed burner injectors. At elevations above 2000 feet, U.S. codes require a decrease in the input rating by changing the burner injectors to a smaller size. The chart below lists by part numbers the appropriate injectors for both LP and natural gas at various altitudes.

For Canadian installations, the Clarity Direct Vent is approved for elevations up to 1375 meters (4500 feet). When installing the Clarity Direct Vent at altitudes above 1375 meters (4500 feet), consult the local gas distributor or the authority having jurisdiction for proper rating methods.

NOTE: The difference in altitude derating requirements for the U.S. and Canada is simply a result of differences in testing standards between the two countries.

If the installer must convert the unit to adjust for varying altitudes, an information sticker like the one to the right must be filled out and affixed to the appliance at the time of conversion.

NATURAL GAS

Altitude	Front Injector	Harman Part No.	Center Injector	Harman Part No.	Rear Injector	Harman Part No.	Nominal Btu Input Rate
0-2000'	47	3-40-64347	56	3-40-57356	39	3-40-64739	40,000
2000-3000'	48	male	56	3-40-57356	40	male	38,400
3000-4000'	49	male	56	3-40-57356	41	male	36,900
4000-5000'	49	male	57	male	42	male	35,400
5000-6000'	50	male	57	male	42	male	34,000
6000-7000'	50	male	57	male	43	male	32,600
7000-8000'	51	male	58	male	43	male	31,300
8000-9000'	51	male	58	male	44	male	30,100

PROPANE

Altitude	Front Injector	Harman Part No.	Center Injector	Harman Part No.	Rear Injector	Harman Part No.	Nominal Btu Input Rate
0-2000'	56	3-40-57356	71	3-40-57271	53	3-40-57753	40,000
2000-3000'	56	3-40-57356	71	3-40-57271	54	male	36,900
3000-4000'	56	3-40-57356	71	3-40-57271	54	male	36,900
4000-5000'	57	male	71	3-40-57271	54	male	35,400
5000-6000'	57	male	71	3-40-57271	55	male	32,600
6000-7000'	57	male	71	3-40-57271	55	male	32,600
7000-8000'	58	male	71	3-40-57271	56	3-40-57356	30,100
8000-9000'	58	male	71	3-40-57271	56	3-40-57356	30,100

*** When ordering injectors that have no Harman part number, specify MALE or FEMALE and the appropriate 2 digit injector number.**

THE CONVERSION SHALL BE CARRIED OUT BY A MANUFACTURER'S AUTHORIZED REPRESENTATIVE IN ACCORDANCE WITH THE REQUIREMENTS OF THE MANUFACTURER, PROVINCIAL OR TERRITORIAL AUTHORITIES HAVING JURISDICTION AND IN ACCORDANCE WITH THE REQUIREMENTS OF THE CURRENT EDITION OF CAN/CGA-B141.1 OR CAN/CGA-B141.2 INSTALLATION CODES.

This appliance has been converted for use at an altitude of _____ ft.

Orifice Sizes: Front _____ Center _____ Rear _____

Input (Btu/hr) _____

Manifold Pressure _____

Fuel Type _____

Converted By _____

Date of Conversion _____

Hearth & Home Technologies Inc. LIMITED LIFETIME WARRANTY

Hearth & Home Technologies Inc., on behalf of its hearth brands ("HHT"), extends the following warranty for HHT gas, wood, pellet, coal and electric hearth appliances that are purchased from an HHT authorized dealer.

WARRANTY COVERAGE:

HHT warrants to the original owner of the HHT appliance at the site of installation, and to any transferee taking ownership of the appliance at the site of installation within two years following the date of original purchase, that the HHT appliance will be free from defects in materials and workmanship at the time of manufacture. After installation, if covered components manufactured by HHT are found to be defective in materials or workmanship during the applicable warranty period, HHT will, at its option, repair or replace the covered components. HHT, at its own discretion, may fully discharge all of its obligations under such warranties by replacing the product itself or refunding the verified purchase price of the product itself. The maximum amount recoverable under this warranty is limited to the purchase price of the product. This warranty is subject to conditions, exclusions and limitations as described below.

WARRANTY PERIOD:

Warranty coverage begins on the date of installation. In the case of new home construction, warranty coverage begins on the date of first occupancy of the dwelling or six months after the sale of the product by an independent, authorized HHT dealer/ distributor, whichever occurs earlier. The warranty shall commence no later than 24 months following the date of product shipment from HHT, regardless of the installation or occupancy date. The warranty period for parts and labor for covered components is produced in the following table.

The term "Limited Lifetime" in the table below is defined as: 20 years from the beginning date of warranty coverage for gas appliances, and 10 years from the beginning date of warranty coverage for wood, pellet, and coal appliances. These time periods reflect the minimum expected useful lives of the designated components under normal operating conditions.

Warranty Period		HHT Manufactured Appliances and Venting							Components Covered
Parts	Labor	Gas	Wood	Pellet	EPA Wood	Coal	Electric	Venting	
1 Year		X	X	X	X	X	X	X	All parts and material except as covered by Conditions, Exclusions, and Limitations listed
2 years				X	X	X			Igniters, electronic components, and glass
		X	X	X	X	X			Factory-installed blowers
			X						Molded refractory panels
3 years				X					Firepots and burnpots
5 years	1 year			X	X				Castings and baffles
7 years	3 years		X	X	X				Manifold tubes, HHT chimney and termination
10 years	1 year	X							Burners, logs and refractory
Limited Lifetime	3 years	X	X	X	X	X			Firebox and heat exchanger
90 Days		X	X	X	X	X	X	X	All replacement parts beyond warranty period

See conditions, exclusions, and limitations on next page.

WARRANTY CONDITIONS:

- This warranty only covers HHT appliances that are purchased through an HHT authorized dealer or distributor. A list of HHT authorized dealers is available on the HHT branded websites.
- This warranty is only valid while the HHT appliance remains at the site of original installation.
- Contact your installing dealer for warranty service. If the installing dealer is unable to provide necessary parts, contact the nearest HHT authorized dealer or supplier. Additional service fees may apply if you are seeking warranty service from a dealer other than the dealer from whom you originally purchased the product.
- Check with your dealer in advance for any costs to you when arranging a warranty call. Travel and shipping charges for parts are not covered by this warranty.

WARRANTY EXCLUSIONS:

This warranty does not cover the following:

- Changes in surface finishes as a result of normal use. As a heating appliance, some changes in color of interior and exterior surface finishes may occur. This is not a flaw and is not covered under warranty.
- Damage to printed, plated, or enameled surfaces caused by fingerprints, accidents, misuse, scratches, melted items, or other external sources and residues left on the plated surfaces from the use of abrasive cleaners or polishes.
- Repair or replacement of parts that are subject to normal wear and tear during the warranty period. These parts include: paint, wood, pellet and coal gaskets; firebricks; grates; flame guides; and the discoloration of glass.
- Minor expansion, contraction, or movement of certain parts causing noise. These conditions are normal and complaints related to this noise are not covered by this warranty.
- Damages resulting from: (1) failure to install, operate, or maintain the appliance in accordance with the installation instructions, operating instructions, and listing agent identification label furnished with the appliance; (2) failure to install the appliance in accordance with local building codes; (3) shipping or improper handling; (4) improper operation, abuse, misuse, continued operation with damaged, corroded or failed components, accident, or improperly/incorrectly performed repairs; (5) environmental conditions, inadequate ventilation, negative pressure, or drafting caused by tightly sealed constructions, insufficient make-up air supply, or handling devices such as exhaust fans or forced air furnaces or other such causes; (6) use of fuels other than those specified in the operating instructions; (7) installation or use of components not supplied with the appliance or any other components not expressly authorized and approved by HHT; (8) modification of the appliance not expressly authorized and approved by HHT in writing; and/or (9) interruptions or fluctuations of electrical power supply to the appliance.
- Non-HHT venting components, hearth components or other accessories used in conjunction with the appliance.
- Any part of a pre-existing fireplace system in which an insert or a decorative gas appliance is installed.
- HHT's obligation under this warranty does not extend to the appliance's capability to heat the desired space. Information is provided to assist the consumer and the dealer in selecting the proper appliance for the application. Consideration must be given to appliance location and configuration, environmental conditions, insulation and air tightness of the structure.

This warranty is void if:

- The appliance has been over-fired or operated in atmospheres contaminated by chlorine, fluorine, or other damaging chemicals. Over-firing can be identified by, but not limited to, warped plates or tubes, rust colored cast iron, bubbling, cracking and discoloration of steel or enamel finishes.
- The appliance is subjected to prolonged periods of dampness or condensation.
- There is any damage to the appliance or other components due to water or weather damage which is the result of, but not limited to, improper chimney or venting installation.

LIMITATIONS OF LIABILITY:

- The owner's exclusive remedy and HHT's sole obligation under this warranty, under any other warranty, express or implied, or in contract, tort or otherwise, shall be limited to replacement, repair, or refund, as specified above. In no event will HHT be liable for any incidental or consequential damages caused by defects in the appliance. Some states do not allow exclusions or limitation of incidental or consequential damages, so these limitations may not apply to you. This warranty gives you specific rights; you may also have other rights, which vary from state to state. EXCEPT TO THE EXTENT PROVIDED BY LAW, HHT MAKES NO EXPRESS WARRANTIES OTHER THAN THE WARRANTY SPECIFIED HEREIN. THE DURATION OF ANY IMPLIED WARRANTY IS LIMITED TO DURATION OF THE EXPRESSED WARRANTY SPECIFIED ABOVE.

