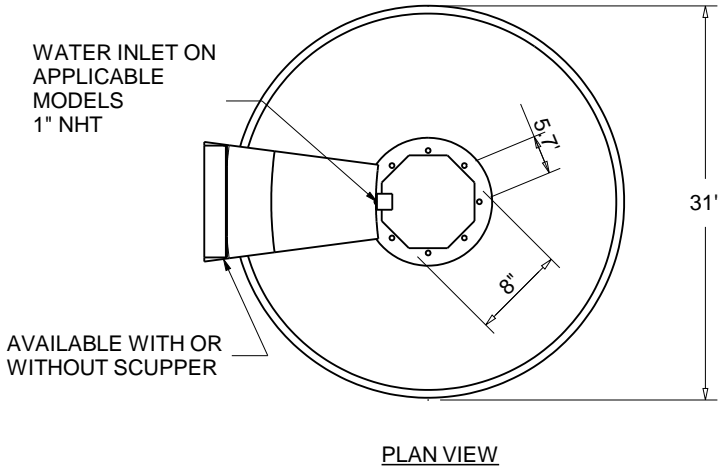
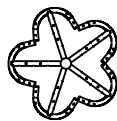


**CSA CERTIFIED FIRE PIT INSERT  
OUTDOOR USE ONLY  
FOR COMMERCIAL AND RESIDENTIAL USE**

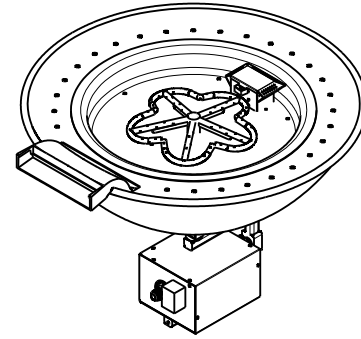


MATERIAL:  
FIRE PIT INSERT - 304 STAINLESS STEEL  
BOWL - COPPER

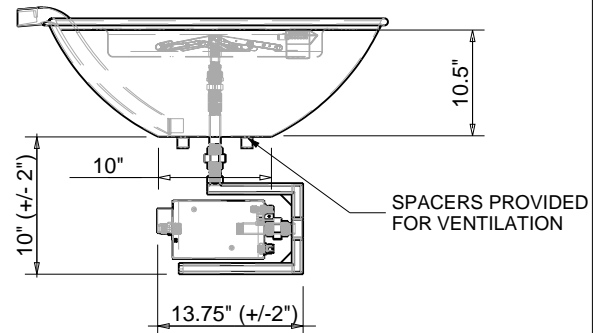
PART NUMBER	WATER SCUPPER	IGNITION	STND BTU	VOLTAGE
TEMP31-EI	NO	ELECTRONIC	65K	120VAC/24VAC
TEMP31W-EI	YES	ELECTRONIC	65K	120VAC/24VAC
TEMP31-MLFPK	NO	MATCH LIT	50K	-
TEMP31W-MLFPK	YES	MATCH LIT	50K	-



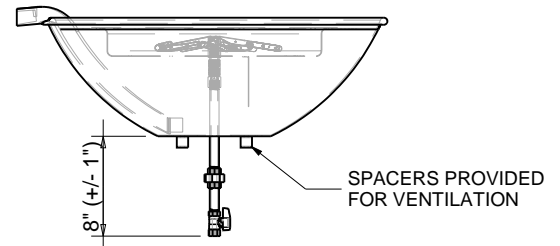
**PENTA BURNER**



**ISOMETRIC VIEW**



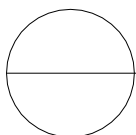
**ELECTRONIC IGNITION OPTION**



**MATCH LIT OPTION**

**Notes:**

- FOR USE WITH FIXED PIPING SYSTEMS ONLY.
- NOT FOR USE WITH SMALL TANKS.
- ALL ENCLOSURES REQUIRE 4 each 18 SQ/IN VENTS ON OPPOSING SIDES AND ADEQUATE DRAINAGE.
- RESIDENTIAL GAS PRESSURE ONLY. (NG- 7.0" WC, LP- 11.0" WC)
- MODIFICATION OF PRODUCT WILL VOID ANY CERTIFICATION AND WARRANTY.
- FOLLOW ALL MANUFACTURER INSTALLATION INSTRUCTIONS AND LOCAL CODES.
- ALL DIMENSIONS ARE CONSIDERED TRUE AND REFLECT MANUFACTURER'S SPECIFICATIONS AS OF THE REVISION DATE.
- DO NOT SCALE DRAWING.
- THESE DRAWINGS ARE FOR SIZING AND PLANNING PURPOSES. ALL INFORMATION CONTAINED HEREIN WAS CURRENT AT THE TIME OF DEVELOPMENT. THE MANUFACTURER'S RESPONSIBLE FOR THE ACCURACY OF THE DRAWING.
- CONTRACTOR'S NOTE: FOR PRODUCT AND COMPANY INFORMATION VISIT [www.CADdetails.com/info](http://www.CADdetails.com/info) REFERENCE NUMBER 771-019.



TEMPE WITH HWI FIRE PIT- FLAME SENSING WITH ELECTRONIC HOT WIRE IGNITION  
 TEMPE WITH MATCH LIT FIRE PIT INSERT