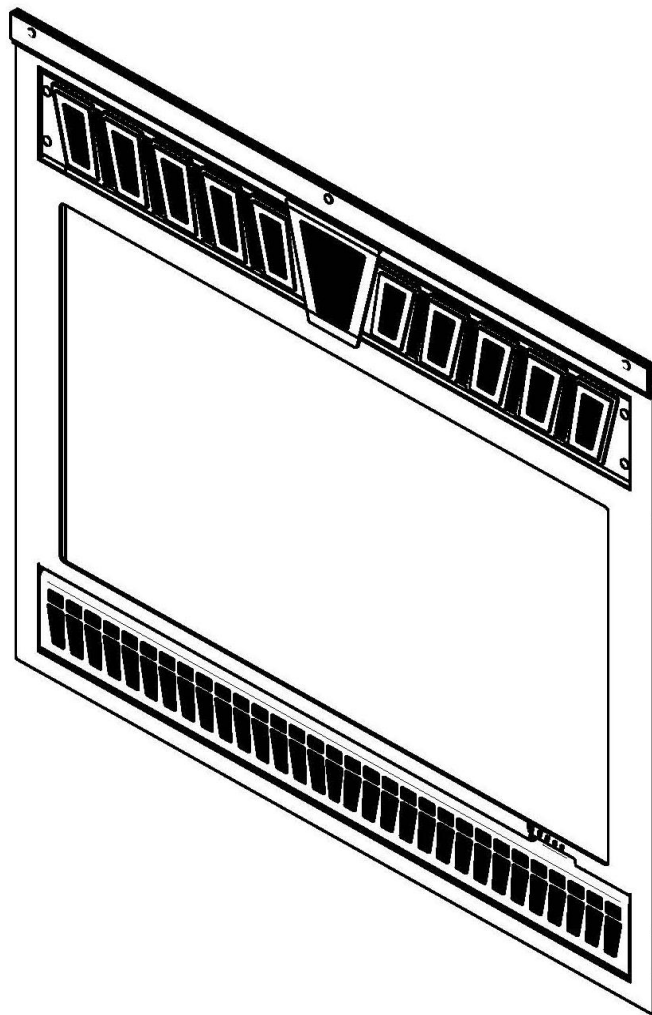


Valcourt
The Fireplace of Your Dreams

FP15 WATERLOO STEEL FACEPLATE

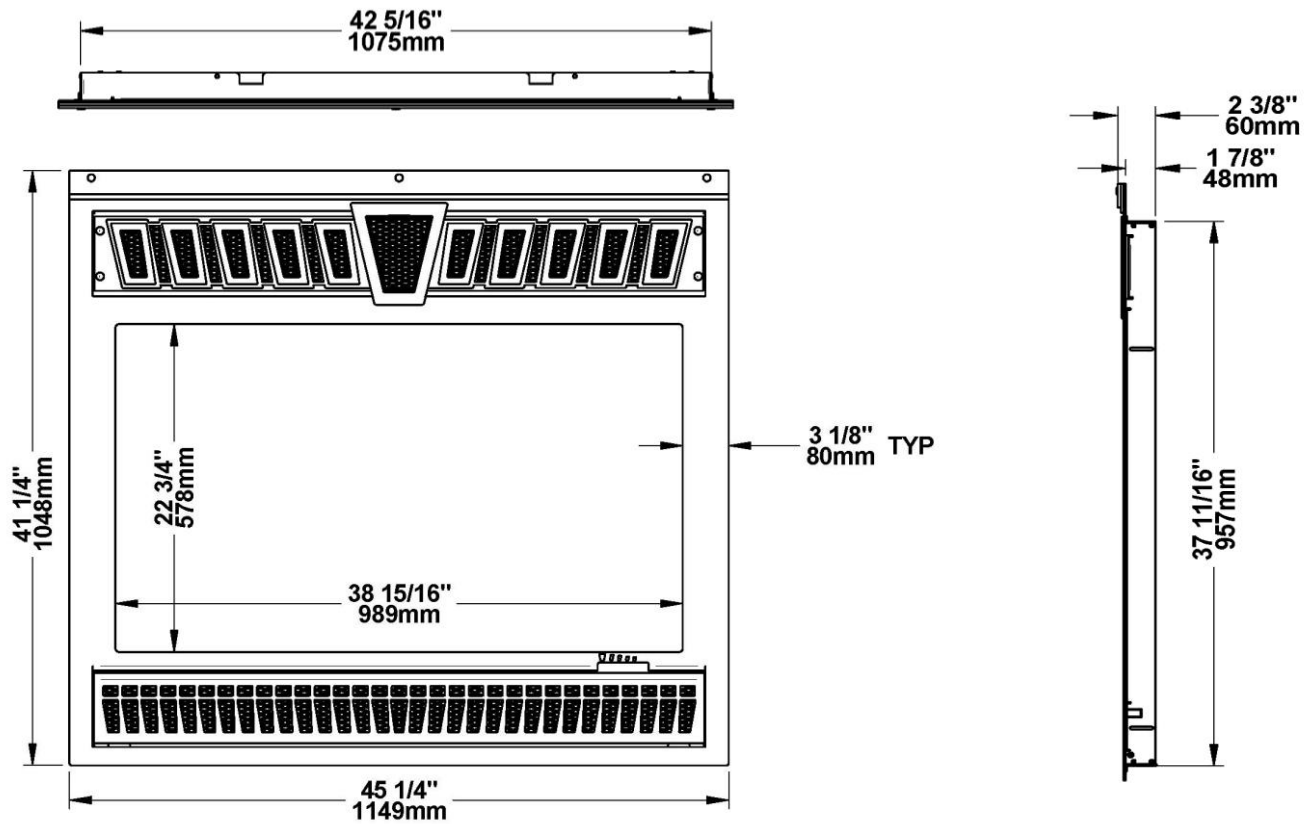
VA15FL06 BLACK PAINTED CROWN STYLE FACEPLATE



This faceplate assembly contains the following part:

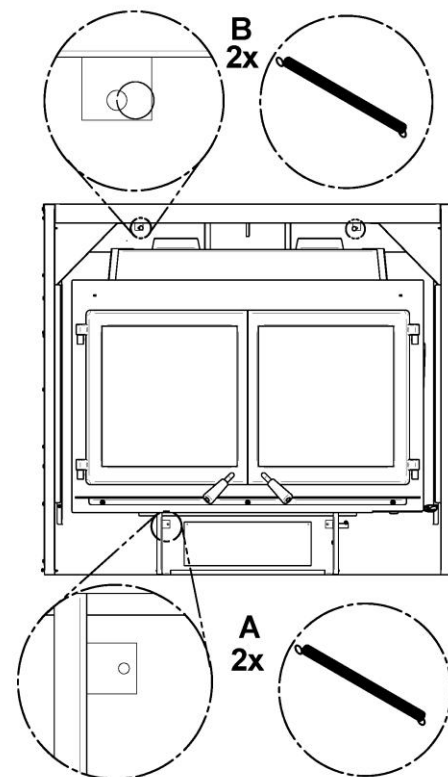
- Steel faceplate already assembled (1X)

DIMENSIONS

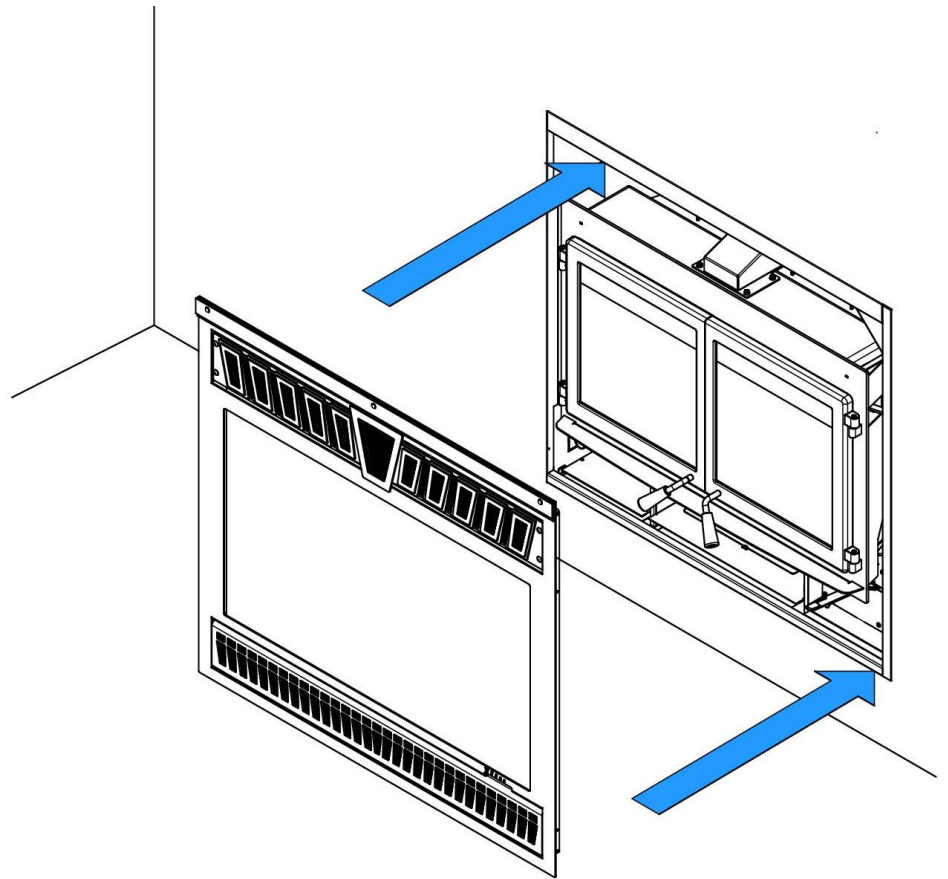


Installation Instructions

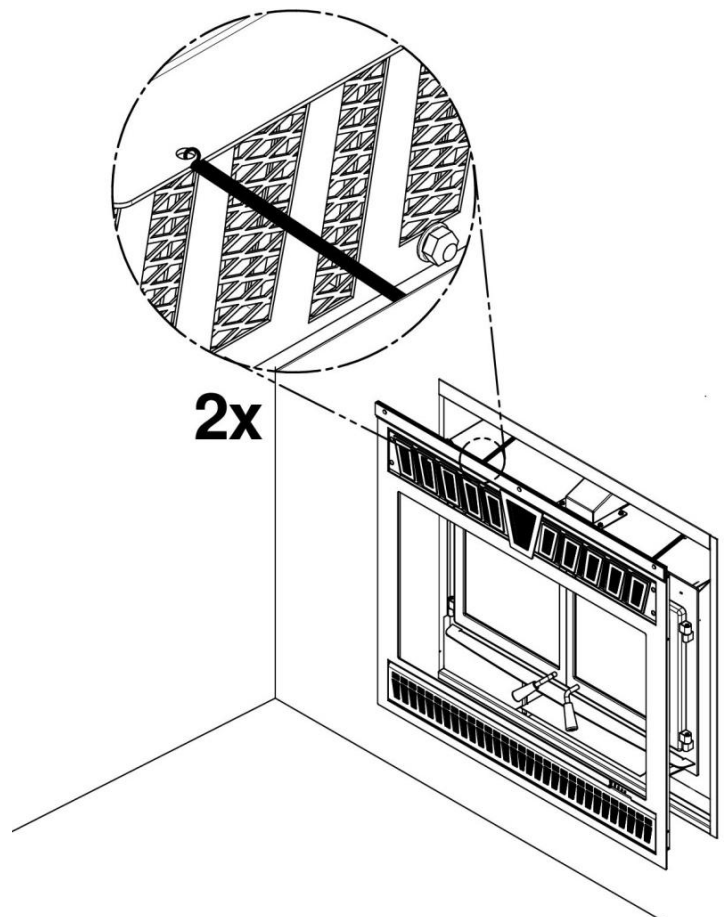
1. Locate the bottom springs **(A)**.
2. Fix the top springs **(B)** provided in the fireplace owner's manual.



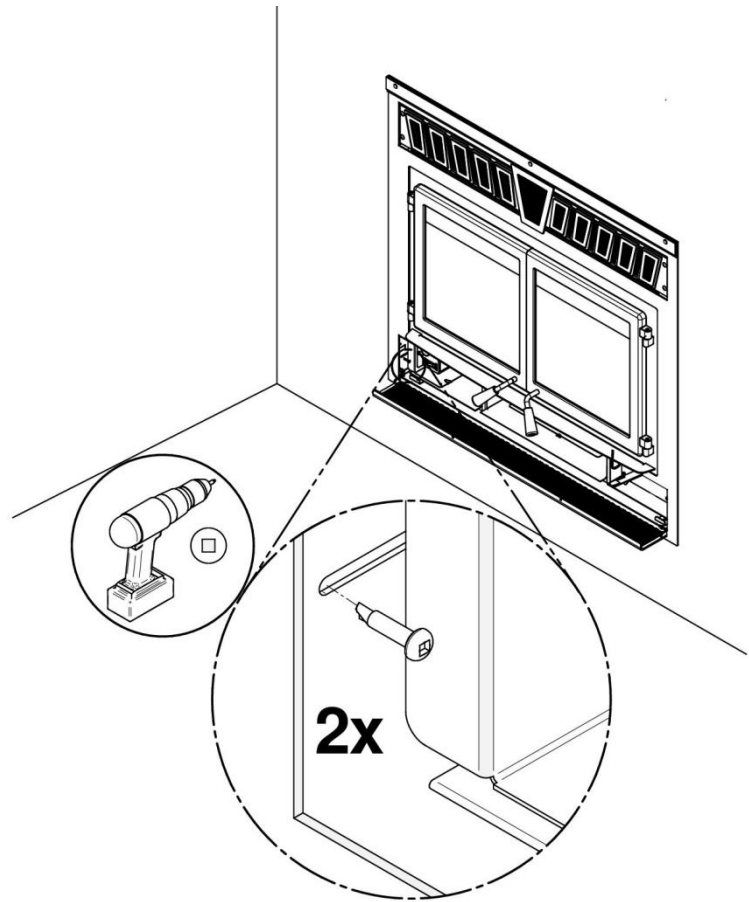
3. Bring the faceplate close to the fireplace.



4. Attach the upper springs on the faceplate to hold it in place.



5. Firmly push the faceplate against the fireplace. Using a power driver, secure the bottom with 2 self-tapping screws (one on each side) provided with the fireplace owner's manual.



6. Attach the bottom springs to the lower louver

