

INSTALLATION INSTRUCTIONS FOR Z-LASER

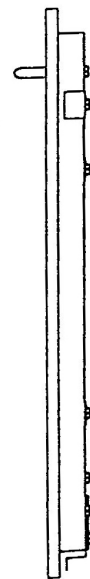
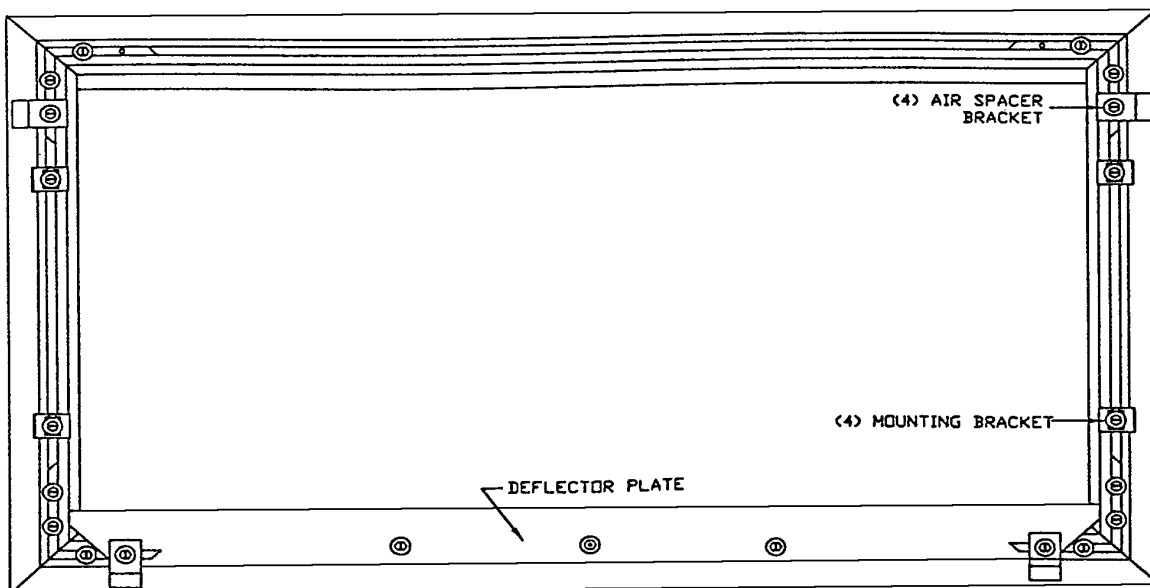
SPECIAL NOTE: DO NOT COVER EXISTING AIR GAPS AROUND OUTSIDE FRAME OF ENCLOSURE! DO NOT REMOVE ANY OF THE FOUR ¼" SPACER BRACKETS FROM THE FRAME. TO PREVENT FIRE HAZARD, IT IS EXTREMELY IMPORTANT THAT FRAME IS CORRECTLY INSTALLED.

PLEASE READ AND UNDERSTAND THESE DIRECTIONS BEFORE YOU BEGIN.

TOOLS NEEDED: Electric Drill, 3/32" Diameter Drill Bit, And A #2 Phillips Screwdriver.

HARDWARE INCLUDES: 4 Mounting Brackets, 4 Sheet Metal Screws ¾" Lg.

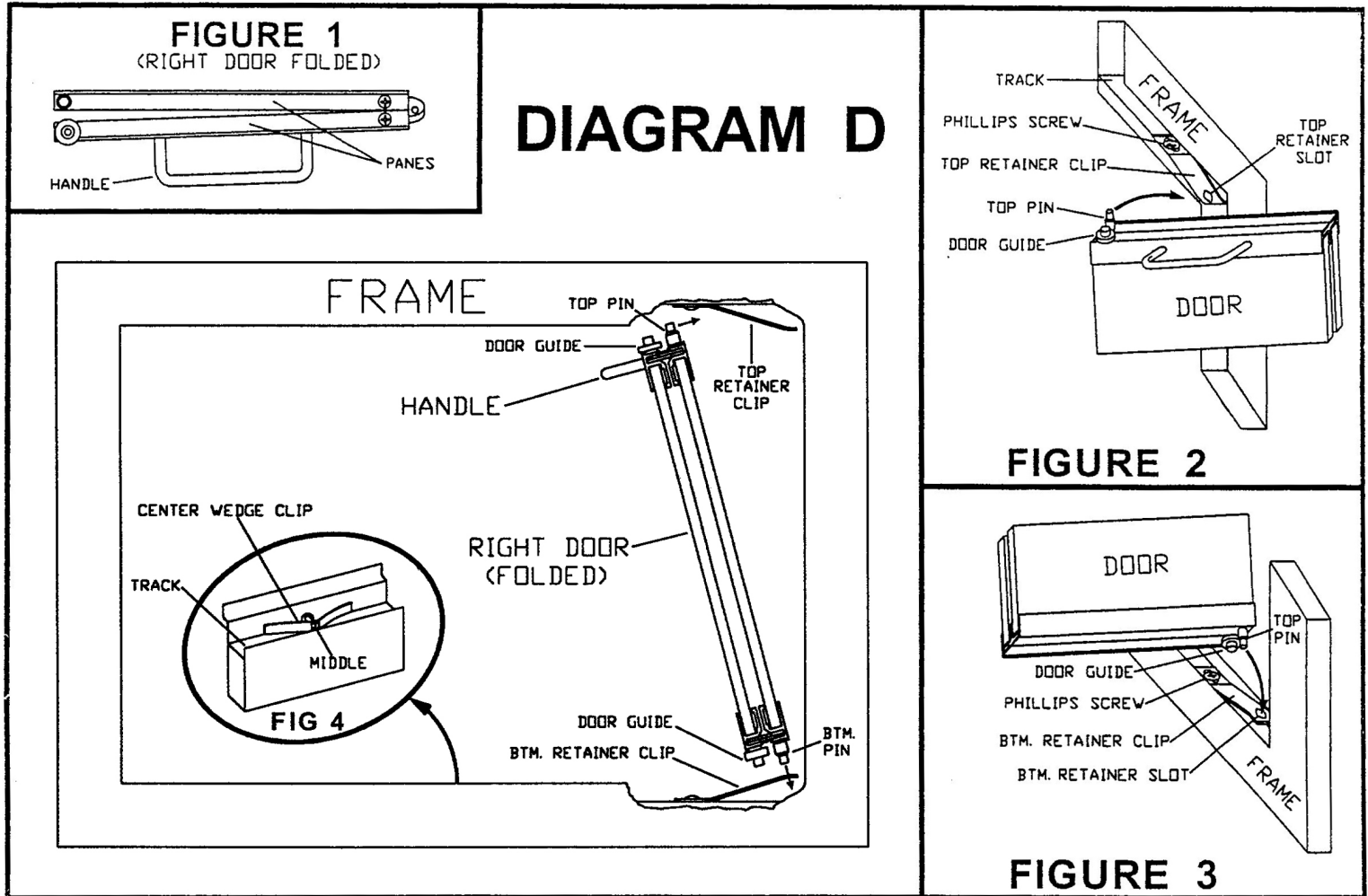
- 1) Two ¼" Spacer Brackets attached to the frame indicate the bottom of the enclosure. These spacers elevate the frame to allow air to be drawn in under the frame of the enclosure to cool the firebox. It is important that the frame be installed with the correct side up to insure smooth operation of the doors and proper flow of cooling air.
- 2) Lay the frame face down on a clean, soft surface. Note the two Phillips Screws mounted to Tinnerman® nuts on either side of the frame.
- 3) Remove the four Phillips Screws from the Tinnerman® nuts in the back of the frame. Attach the four Mounting Brackets to the Tinnerman® nuts using the Phillips Screws you just removed. Note that the leg of each bracket should be toward the outside of the frame. The Tinnerman® nuts can be slid up and down the slots in the frame when the Phillips Screws are loosened. This provides flexibility to position the brackets to a solid mounting surface. (See diagram below).
- 4) Center the frame over the fireplace making sure that frame is resting on the ¼" Spacer Brackets. Mark fireplace at each hole in the four Mounting Brackets. Remove the frame from the fireplace and drill a pilot hole 3/32" diameter at each of the four marks. Re-position the frame into the fireplace and insert the sheet metal screws. *Carefully snug all screws up to the angle bracket making sure you do not over tighten! The enclosure may be centered by loosening one side and tightening the other.*
- 5) Install the left and right glass doors into the frame. Fold the glass panes together or slightly open with the handles up. Tilt the doors at an approx. 45 degree angle and insert the bottom pivot pin into the retainer clip located in the bottom corner of the door track. Stand the door up vertically and snap the top pivot pin into the retainer clip located inside the top corner of the door track. Repeat the same procedure for the other pair of doors.
- 6) The doors are pre-aligned at the factory. If adjustment is needed the four screws securing the retainer clips in the four corners of the door tracks can be loosened and the doors moved to the left or right.



SIDE VIEW

CV2 DOOR INSTALLATION, ADJUSTMENT AND REMOVAL

NOTE: There are three types of doors made by Thermo-Rite: the ClearView Bifold CV2, the ClearView Bifold Full Swing FS2, and the ClearView Twin Full Swing CV1. The CV2 and FS2 have two glass panes in each door, and the CV1 has one. The CV2 opens and closes by gliding within a track. The FS2 and CV1 are Full Swing and can be opened out away from the fireplace. Refer to the instructions on this page for CV2 doors. Refer to instructions on separate sheet for FS2 and CV1.



CV2 DOOR INSTALLATION: Fold panes of right door back to back with handle up as shown in Figure 1. Tilt door so that it fits inside frame as shown in Diagram D. Next, insert Bottom Pin into Bottom Retainer Slot as shown in Figure 3. Then tilt top of door toward vertical position making sure that all Pins and Door Guides are inside Track. Finally, slide Top Pin along Top Retainer Clip until Top Pin snaps into Top Retainer Slot, see Figure 2. Repeat procedure for left door.

CV2 DOOR ADJUSTMENT: The doors can be adjusted by changing the location of the door inside the frame. The door may need adjustment for several reasons. One would be that the doors do not fully close because they hit in the center of frame. Another would be that there is a noticeable gap in the center between the closed doors. If doors appear to close in correct position but do not latch (both doors do not stay closed), then there is a misalignment between the doors and the Center Wedge Clip. The Center Wedge Clip is located in the center of the bottom Track, see Figure 4. In order to stay closed, the left and right doors must meet in the Middle of the Center Wedge Clip.

To adjust doors, first loosen, but do NOT remove the Phillips Screw that holds the Retainer Clip to the frame, See Figure 2 and 3. Move door to desired position then tighten screw. Repeat procedure for other Retainer Clips as needed. Operate doors to check alignment and repeat procedure if necessary.

CV2 DOOR REMOVAL: Open door all the way until glass panes are back to back. While pushing down on door, push up on Top Retainer Clip with finger to free Top Pin and rotate top of door toward center of frame, see Diagram D and Figure 2. Carefully remove door.

LIMITED WARRANTY POLICY

Thermo-Rite warrants all new enclosures to be free from defects in material and workmanship for a period of 5 years from the ultimate sale or installation if performed by the dealer. The warranty is void if damage is due to improper installation or improper operation. Thermo-Rite warrants tempered glass for a lifetime to the original owner. Commercial applications and CV1 glass wider than 13" are excluded. If the glass should break within this period, Thermo-Rite will supply panels free of charge except for the UPS shipping charges. If customer or dealer wants Thermo-Rite to install glass, a fee of \$10.00 plus freight both ways will be charges for each piece. In this case, a Return Goods Authorization (RGA) must be issued. To obtain replacement glass, customer or dealer must supply Thermo-Rite with a copy of proof of purchase date to receive a no-charge invoice on the glass.