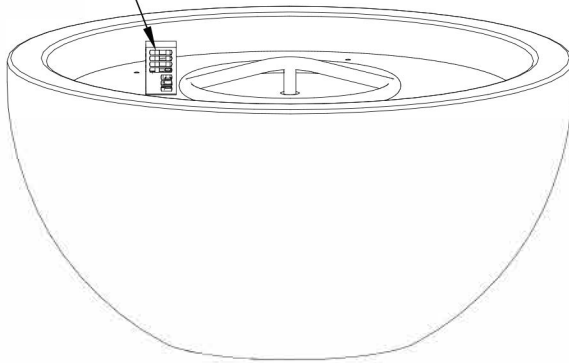
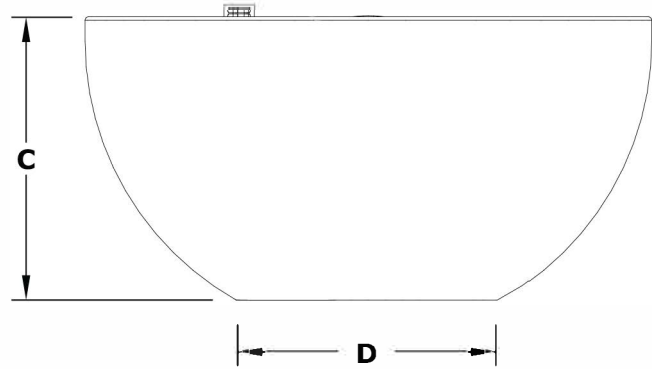


38" LUNA FIRE BOWL - GFRC CONCRETE

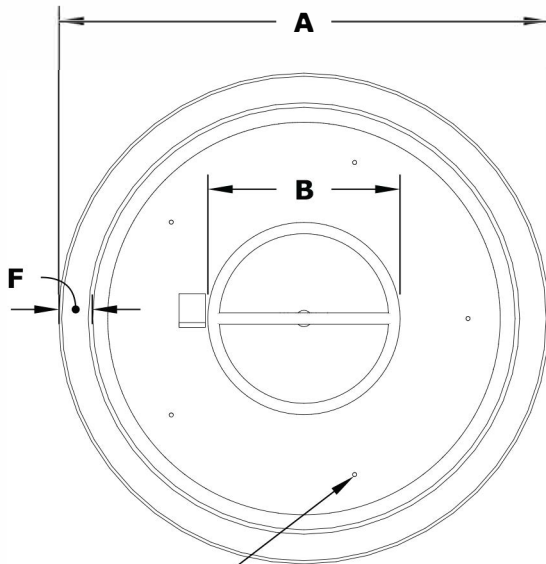
Pilot Igniter ● Only included with - E12V



ISOMETRIC VIEW

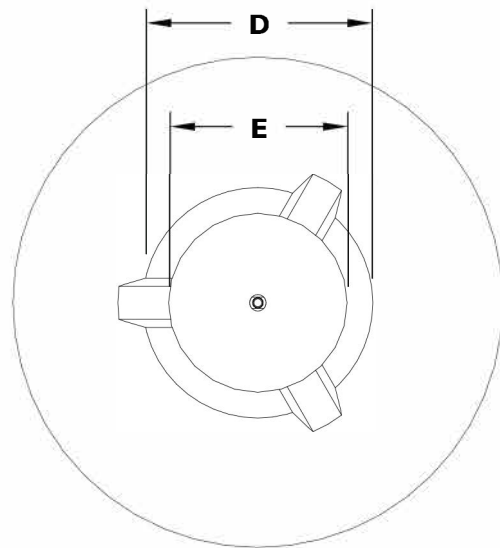


FRONT SIDE VIEW



Drain Holes ●

TOP SIDE VIEW



TOP SIDE VIEW

SKU	A	B	C	D	E	F	BTU
OPT-LUNFO38	38"	12"	16"	19"	13"	2.5"	65,000
OPT-LUNFO30E12V	38"	12"	16"	19"	13"	2.5"	65,000

Fire Pit Material: GFRC Concrete
Finish: Smooth Finish
Pan Material: 304 Stainless Steel
Burner Material: 304 Stainless Steel

12V/110V ELECTRONIC IGNITION
ANSI Z21.97-(2017) / CSA 2.41-(2017)



Includes: Pan, Burner, 12V Electronic Ignition, Pilot Igniter, Whistle Free Hoses, Lava Rock.

Note: Key valves are not included, must be ordered separately.

Proprietary & Confidential: The information contained in this drawing is the sole property of **The Outdoor Plus**. Any reproduction or as a whole without written permission of **The Outdoor Plus** is prohibited.