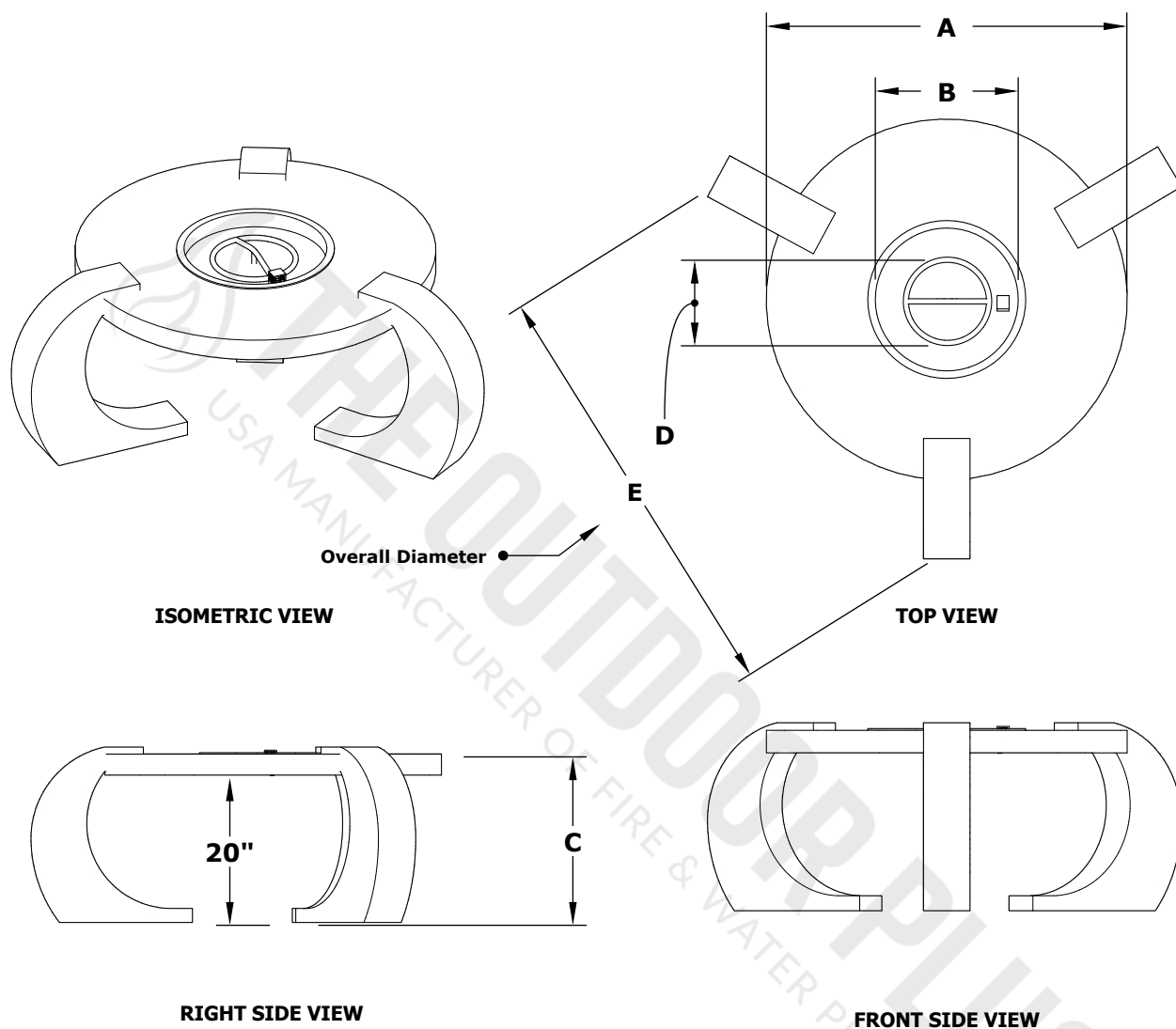


FRISCO FIRE TABLE



Hammered Copper	Corten Steel	Stainless Steel	Powder Coat	A	B	C	D	E	BTU
OPT-FRSCPR68	OPT-FRSCS68	OPT-FRSSS68	OPT-FRSPC68	48"	19"	24"	12"	68"	50,000
OPT-FRSCPR80	OPT-FRSCS80	OPT-FRSSS80	OPT-FRSPC80	60"	25"	24"	18"	80"	65,000

Fire Pit Material: Various Metals
 Pan Material: 304 Stainless Steel
 Burner Material: 304 Stainless Steel

Standard 1" Flange on all pans
 Standard 2" Depth on all pans

110V ELECTRONIC IGNITION
 ANSI Z21.97-(2017) / CSA 2.41-(2017)



Match Lit Unit Includes: Pan, Burner, Gas Orifice, Gas Hoses, Key Valve, Key,
 110v Ignition Unit Includes: Pan, Burner, Gas Orifice, Gas Hoses, Key Valve, Key, Plug & Play Electronic Valve, Pilot Igniter.

Drawn By	Murguia M.
Date Created	September 17, 2021