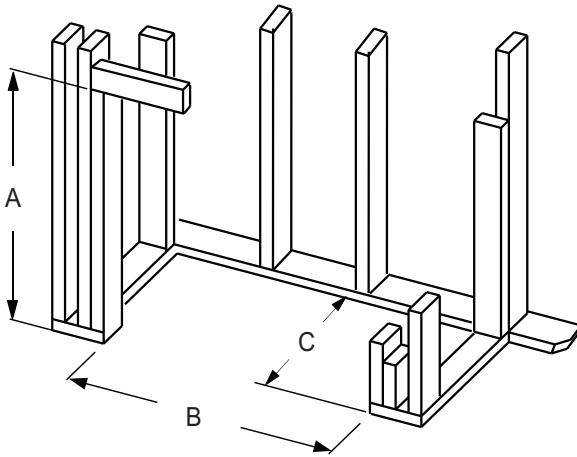


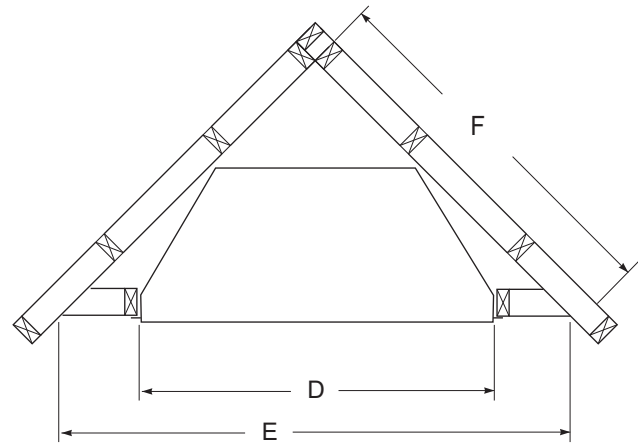
# VRE4036 AND VRE4042 SERIES

## VENT-FREE UNIVERSAL TALL OPENING FIREBOX

Framing Dimensions

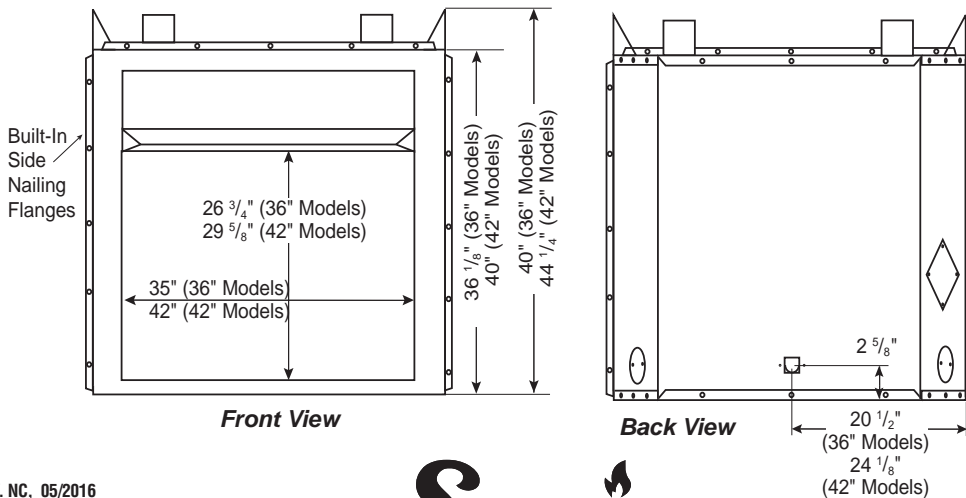
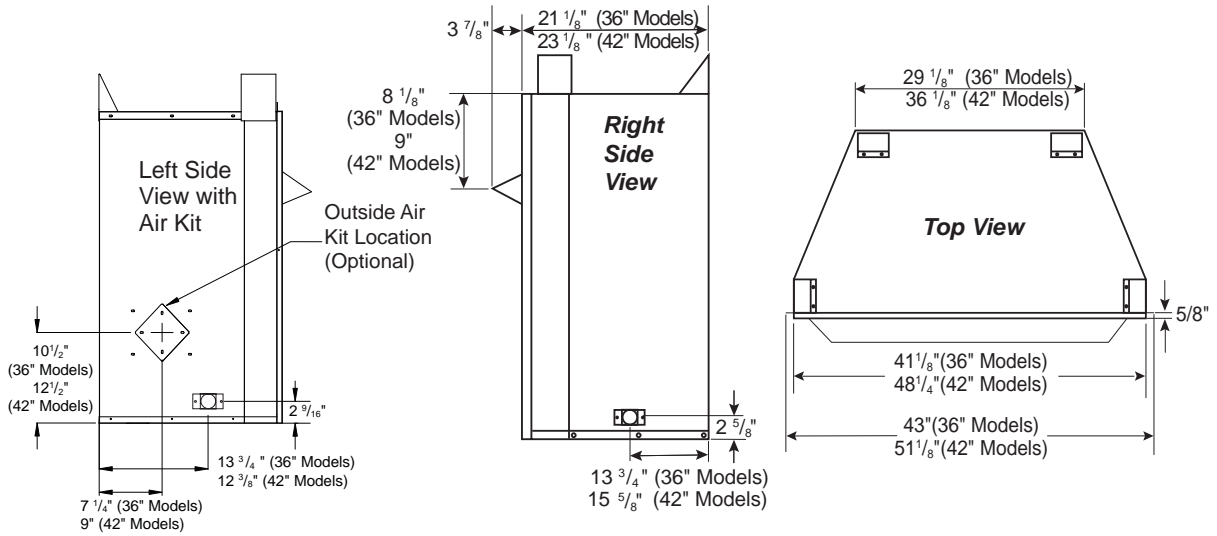


| Models     | A                  | B                  | C                 |
|------------|--------------------|--------------------|-------------------|
| 36" Models | 40-1/2"<br>1029 mm | 42-1/2"<br>1080 mm | 20-3/4"<br>527 mm |
| 42" Models | 44-1/2"<br>1130 mm | 49-5/8"<br>1083 mm | 22-5/8"<br>575 mm |



| Models     | D                  | E              | F              |
|------------|--------------------|----------------|----------------|
| 36" Models | 42-1/2"<br>1080 mm | 74"<br>1880 mm | 52"<br>1321 mm |
| 42" Models | 49-5/8"<br>1083 mm | 86"<br>2185 mm | 61"<br>1550 mm |

Fireplace Dimensions



# VRE4036 AND VRE4042 SERIES

Product Information

| Cat. No. | Model     | Refractory        | Weight | Cu. Ft. |
|----------|-----------|-------------------|--------|---------|
| F0487    | VRE4036RS | Red Stacked       | 176 lb | 24      |
| F0493    | VRE4036WS | White Stacked     | 176 lb | 24      |
| F0488    | VRE4036RH | Red Herringbone   | 176 lb | 24      |
| F0494    | VRE4036WH | White Herringbone | 176 lb | 24      |
| F0489    | VRE4042RS | Red Stacked       | 248 lb | 34      |
| F0495    | VRE4042WS | White Stacked     | 248 lb | 34      |
| F0490    | VRE4042RH | Red Herringbone   | 248 lb | 34      |
| F0496    | VRE4042WH | White Herringbone | 248 lb | 34      |

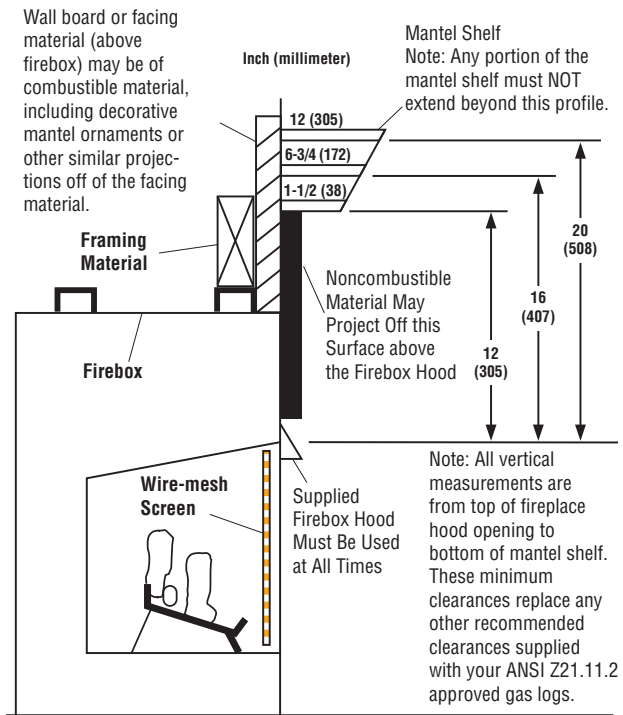
Listing Information



Report No. F09-130

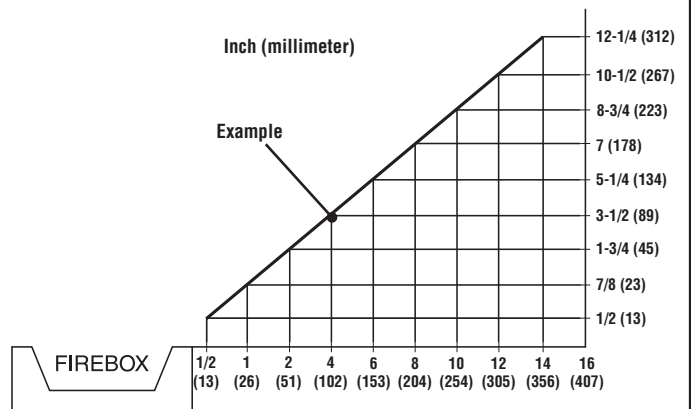
These appliances comply with National Safety Standards and are listed by PFS Corporation to ANSI Z21.91 Ventless Firebox Enclosures for Gas-Fired Unvented Decorative Room Heaters and is approved for use with appliances listed to ANSI Z21.11.2 decorative type unvented room heaters.

Clearances

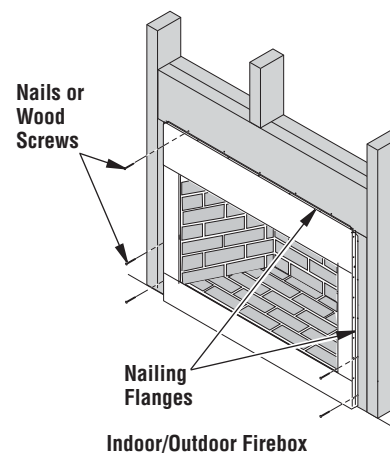
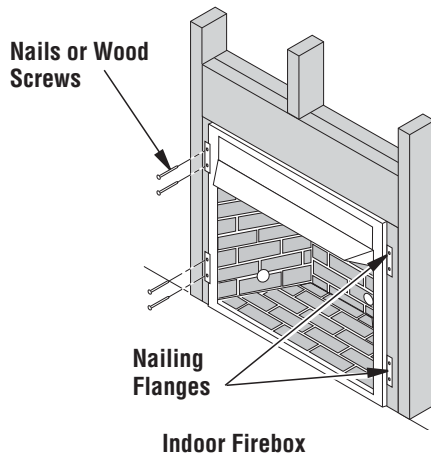


### Minimum Wall and Ceiling Clearances (see figure below)

- Clearances from the side of the fireplace cabinet to any combustible material and wall should follow diagram shown here.  
Example: The face of a mantel, bookshelf, etc. is made of combustible material and protrudes 3-1/2" from the wall. This combustible material must be 4" from the side of the fireplace cabinet.
- Clearances from the top of the firebox opening to the ceiling should not be less than 42".
- When the firebox is installed directly on carpeting, vinyl tile or other combustible material, other than wood flooring, the firebox should be installed on a metal or wood panel extending the full width and depth of the enclosure.
- Clearances from the bottom of firebox to the floor is 0".



Nailing Flanges



NOTE: DIAGRAMS & ILLUSTRATIONS ARE NOT TO SCALE.

Printed in U.S.A. © 2016 Innovative Hearth Products  
P/N 900667-03 REV. NC 05/2016



Specifications and clearances are subject to change without notice. Refer to Installation Manual before installation of these appliances for updated dimensions and instructions.