

ATTENTION: Installer please leave these Instructions with the homeowner.



Masonry Fireplace Enclosure

Inside-Fit & Overlap with Flanges

Installation & Operating Instructions



STOLL FIREPLACE, INC.

153 Highway 201

Abbeville, SC 29620

(800) 421-0771

customerservice@stollfireplaceinc.com

www.stollfireplaceinc.com

Installation Instructions

PARTS INCLUDED FOR INSTALLATION:

6 ea. Pressure Screws	1 ea. Roll of Insulation
1 ea. Allen wrench for tightening Pressure Screws	

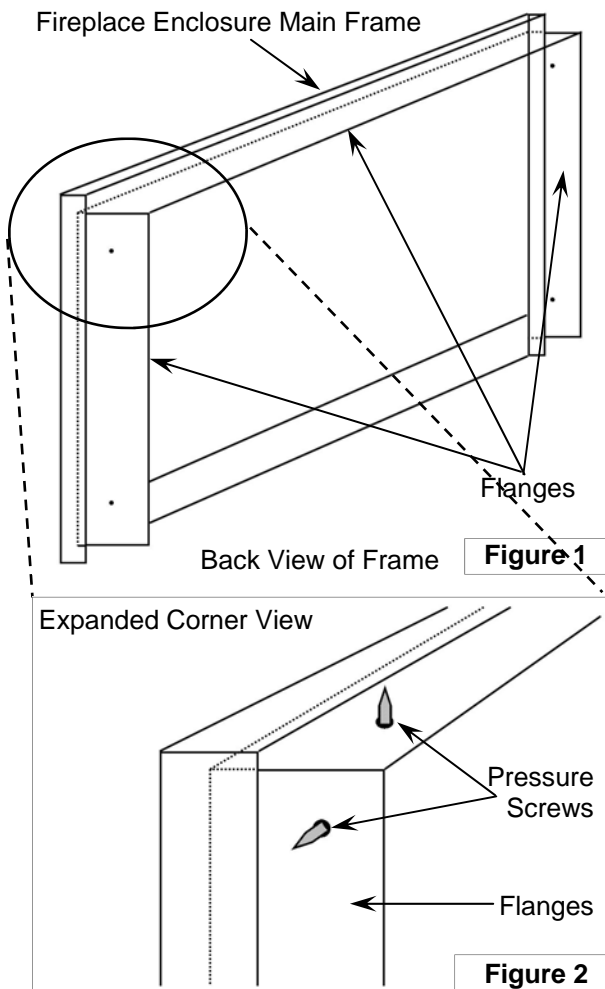
PLEASE NOTE: Your Stoll Masonry Fireplace Enclosure must be installed and adjusted correctly.

Misalignment of the enclosure frame can cause improper latching of the glass doors, glass breakage, and/or improper operation. Please read and follow the installation instructions carefully. If you do not feel confident that you are equipped to complete the installation properly please contact your Stoll Dealer to arrange professional installation.

New masonry fireplaces must be cleaned and allowed to cure thoroughly before any fireplace enclosure is installed. Failure to "cure" the mortar properly may damage the enclosure finish. This type of damage is not covered by warranty.

If you have questions:

Please contact your Stoll Fireplace Dealer or Stoll Fireplace, Inc. before proceeding with installation.



INSTALLATION:

- Remove the glass doors from the Fireplace Enclosure frame to make the enclosure lighter for installation and to protect the finish.
NOTE: Frameless TotalView doors are not shipped installed on hinges. They are packaged in cardboard inside the master shipping carton.
- Remove the Cabinet Mesh Screens from the enclosure if so equipped.
 - If Hanging Mesh Screens were ordered, instructions for installing them are packed with the screens.
 - The mesh screen panels will be packed flat between layers of cardboard. *Be careful not to discard the screens accidentally.*
- Set aside all of the parts that were removed in a safe place.
- Thread the six (6) Pressure Screws into the tapped holes in the flanges with the tips of the screws barely projecting through the flanges.
- Remove the protective plastic film from any polished metal trim or overlay material on the Fireplace Enclosure frame/doors if applicable.
- Set the Fireplace Enclosure frame into the fireplace opening.
 - Overlap fit enclosures will cover the edges of the fireplace opening.
 - Inside Fit enclosures will be installed inside the fireplace opening.
- Center the Fireplace Enclosure frame in the fireplace opening.
 - Fill the gap between the flanges and the fireplace opening with the insulation provided. If the gaps are extremely large, extra insulation is available from your Stoll Dealer.
- Snug down the Pressure Screws evenly but do not tighten. **(Figure 2)**
- Replace the Glass Doors. Discard the shipping hinge screws if used. Use the color-matched hinge pins that are taped to the glass doors if needed. **NOTE:** Some hinge styles do not use separate hinge pins.
 - Check that the enclosure is aligned straight and plumb.
 - Use the glass doors to verify the correct position. See Below.
- Tighten the Pressure Screws snugly. Do not over-tighten.
- Replace the Mesh Screen Doors if so equipped.
 - A shipping spring is used on Mesh Screen Doors. The spring can be discarded or reinstalled to tighten the screen fit.

IMPORTANT: Check that the Glass Doors in the enclosure are aligned properly.

- If the Glass Doors do not close properly, or do not lay flat against the frame, the frame is most likely twisted. It is not unusual to find that a masonry fireplace face is not perfectly flat, plumb, level, or that the opening is not perfectly square. Do not force the enclosure frame to conform to a fireplace that is not plumb or level. This is less common with flanges.
- The most common adjustment on Overlap installations is accomplished by loosening the pressure screws on the side of the frame opposite the glass door that is away from the frame. Move bottom corner of the frame out until the doors line up properly. Retighten the pressure screw (s). Any resulting gap can be filled with extra insulation.
- Inside-Fit enclosures can be straightened within the opening. Moving the door back slightly from the fireplace face will create a reveal that will conceal minor gaps. Larger gaps can be filled with insulation or black RTV sealant as desired.
NOTE: Failure to align the Masonry Fireplace Enclosure Glass Doors properly may result in glass breakage or other damage directly attributable to improper installation.

Operating Instructions

⚠ CAUTION: Do not light a fire until you read and completely understand the Operating Instructions that follow. If you have any questions or concerns, please contact your Stoll Fireplace Dealer or Stoll Fireplace, Inc. before proceeding.

GENERAL SAFEGUARDS:

- Excessive heat can cause damage to the Fireplace Enclosure and/or loss of temper in glass resulting in glass breakage. A very hot fire, hot coals, embers, ashes, and/or logs coming in contact with the back of the enclosure can cause discoloration or more serious damage to the enclosure finishes. This type of damage, caused by over-heating, is considered abuse and is not covered under warranty.
- Do not burn trash, construction materials, pressure treated lumber and/or railroad ties in your fireplace. The intense heat that these types of materials can produce can damage your Fireplace Enclosure and the fumes from burning these types of materials can create a serious health hazard. Dry, seasoned hardwood is the recommended fuel.

⚠ CAUTION: Stoll uses very high quality tempered glass but tempered glass is breakable like any glass. It is the operator's responsibility to read, understand, and follow the instructions below and to exercise due caution. The most important precaution is to keep the glass doors open when the fire is burning. The tempering process makes the glass stronger and more resistant to heat and impact but not impervious. Avoid striking the glass with logs or fireplace tools. If tempered glass does fail it breaks into small pieces. Glass pieces may fly about the area. Never sit, or allow children or anyone else to sit, close to the glass when the fire is hot. Use a protective hearth rug or other suitable non-flammable protection in front of the fireplace to protect wood floors and/or synthetic carpets. In the event that the glass should break, the resulting small pieces could burn skin or damage flooring.

OPERATION:

- Stoll Fireplace Enclosures are designed to be used with the glass doors open and the screens closed when the fire is burning. You will get the maximum heat from your fireplace with the glass doors open. The screens must be kept closed at all times when a wood fire is burning except when loading or maintaining the fire.
- Build and maintain small to moderate wood fires. Fireplace grates and/or andirons must be properly sized to allow at least 5 inches of clearance between the fire and the Fireplace Enclosure. A roaring fire, or any fire allowed to burn too close to the Fireplace Enclosure, can overheat the frame, glass, finish, and/or discolor the metal. Damage caused by overheating of the Fireplace Enclosure is considered abuse and is not covered under warranty.
- Never leave the room with both the glass doors and screens open. Under normal operating conditions the glass doors will be open and the screens will be closed. Upon retiring for the evening, or leaving the room for an extended period, the glass doors can be closed to provide maximum spark protection. Before closing the glass doors ensure that the wood fire is under control and of moderate size or smaller. Open the damper built into your Fireplace Enclosure to allow enough air to support combustion until the fire is out. The fireplace flue damper should be left fully open. Once the fire is completely extinguished, close the fireplace flue damper, close the damper in the Fireplace Enclosure, and close the glass doors to minimize heat loss up the chimney.
- Fireplace Enclosures used in combination with Gas Logs must have the glass doors open and the screens closed when the Gas Logs are in operation to ensure adequate air flow to the Gas Logs. The Gas Log set must be properly sized to allow at least 5 inches of clearance between the fire and the Fireplace Enclosure. Unlike a wood fire that modulates heat output, gas logs can produce a lot of heat constantly over an indefinite period of time. Burning Gas Logs with the glass doors closed can overheat the Fireplace Enclosure, the fireplace, and/or the Gas Logs and cause damage to any or all of the components. Read and follow all instructions provided by the Gas Log manufacturer.

MAINTENANCE:

- ⚠ CAUTION:** The Fireplace Enclosure and the glass must be at room temperature before cleaning.
- Closing the glass doors to secure a dying fire may result in smoke residue or soot accumulation on the glass. If cleaned regularly this staining can be removed using glass cleaner or a mild household cleaner. Avoid cleaners that contain ammonia. Spray on, let soak for a few minutes, and wipe clean. Repeat as necessary.
 - Heavier, long-term build up may require the use of a glass cleaner specifically formulated for removing wood smoke residue. These glass cleaners are available from your local Stoll Fireplace Dealer. Never use oven cleaner.
 - Stoll uses high quality, heat resistant, Powder Coat finishes on Masonry Fireplace Enclosures. This type of finish requires only an occasional wipe with a damp cloth to maintain the factory finish. A mild household cleaner may be used if necessary. Do not use cleaners that contain ammonia. Do not use harsh, strong, or abrasive cleaners.
 - Polished metal parts of the enclosure (brass, copper, etc.) have a clear lacquer finish to prevent tarnishing. Wipe with a damp soft towel or dust cloth only. The use of metal polish or strong cleaners will damage the finish.

A WORD ABOUT ENERGY:

Keep your glass doors closed when the fire is out.

Fireplaces are designed to draw air and smoke up the chimney. Even when the fire is cold the warm air created by your heating system is going up the flue. It is equivalent to having a one square foot hole in your roof. Closing the fireplace damper helps, but most dampers do not close tightly. Closing the glass doors is like closing your storm door.

If you have vented gas logs installed the fireplace damper is fixed open at all times. Closing the glass doors in your fireplace enclosure will close off 99% of the fireplace opening and help stop the loss of heated room air up the chimney.

In some cases the chimney flow reverses and cold air is pulled down the chimney. This is quite common in well insulated homes. Turning on the kitchen vent hood or a clothes dryer pulls cold air in through the fireplace. Glass doors help stop the cold drafts. For more serious down-drafting Stoll makes Air-Seal doors that are gasketed for a better seal.

So keep those glass doors closed any time you are not enjoying a warm fire on your hearth.

Five Year Limited Warranty for Masonry Fireplace Enclosures

Stoll Fireplace, Inc. warrants its Masonry Fireplace Enclosure to be free from defects in metal materials and/or workmanship, under normal use and conditions of service, for a period of five (5) years, subject to the limitations outlined below. Glass is warranted to be free from defect in materials, under normal use and conditions of service, for a period of one (1) year, subject to the limitations outlined below. This warranty is non-transferable and is extended exclusively for the benefit of the original purchaser beginning on the original date of retail sale. Stoll Fireplace, Inc. will, at its option, repair or replace any part that fails due to a defect in materials or workmanship at no charge (exclusive of freight) subject to the limitations of this warranty.

This warranty covers repair or replacement of parts only and applies exclusively to products purchased for consumer use. This warranty does not cover damage caused by transportation and/or handling or which results from alteration, accident, misuse, abuse, or improper installation. It also makes no warranty as to maximum temperature and stresses which may cause discoloration of metal finishes, distortion of metal parts, and/or glass breakage.

This warranty constitutes the entire warranty with respect to Stoll Fireplace, Inc. and/or its products. Stoll Fireplace, Inc. shall not be liable for consequential or indirect damages which are caused by defects in its product, by its repair or replacement. Stoll Fireplace, Inc. makes no other warranty, expressed or implied, including any warranty of merchantability, or warranty of fitness for a particular purpose. Implied warranties of merchantability and fitness for a particular purpose which may arise under state law are also limited in duration to five years from the original purchase of this product. Some states do not allow such limitations, in which case this limitation may not apply. The consumer may have other rights that vary from state to state.

If, during the warranty period, a product covered under this warranty proves to be defective in material or workmanship, a claim for warranty service should be made through your authorized Stoll Fireplace Dealer. Proof of purchase will be required. The authorized dealer will procure replacement parts and/or contact Stoll Fireplace, Inc. if additional service is deemed necessary.

If you have questions about your product or the terms of your warranty please contact:
Stoll Fireplace, Inc. ~ 153 Hwy 201 ~ Abbeville, SC 29620

When applying for warranty replacement, or ordering replacement parts, always specify the type of product, the color, the height, and width. Describe the damaged or defective part in detail. Please provide digital pictures if possible.