

# ULTRA-TEMP<sup>®</sup>

FUEL TYPE:

Gas | Oil | Wood | Coal

**TABLE OF CONTENTS**

---

Typical Installations .....3-4

Technical Data Sheet .....5-6

Chimney Lengths.....7-9

Elbows and Tees ..... 10-12

Supports ..... 13-17

Chimney Kits ..... 18-19

Rain Caps/Storm Collar .....20-21

Flashings.....22-23

Shields.....24-25

Adapters..... 26

Accessories .....27-29

## Typical Installations

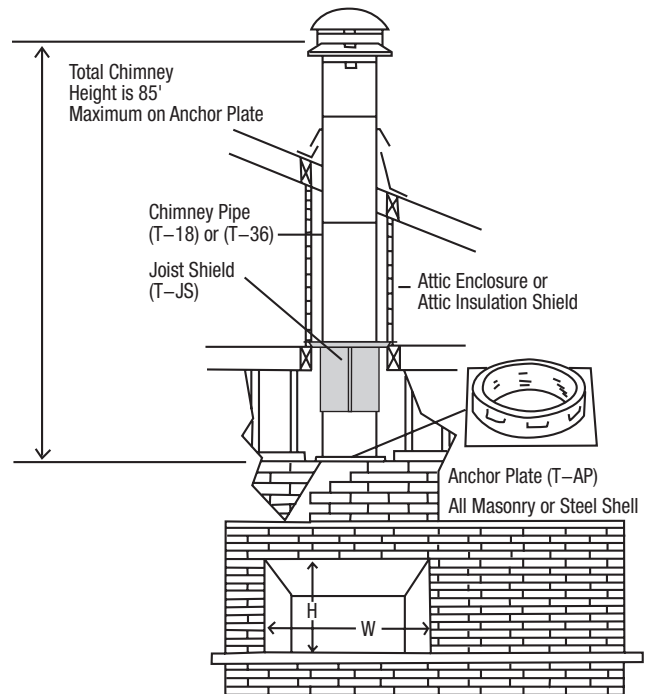
Short or tall, large or small, there is a Selkirk Chimney System to suit every need or appliance. The following diagrams are intended as guides to proper part selection for several common chimney installations. Keep in mind that these diagrams do not show the exact details for installation of the various chimney parts. They supplement the instructions by illustrating a wider variety of complete chimney systems. While the primary emphasis in the diagrams is on solid-fuel appliances, the type of appliance originally selected must never affect the installation of the chimney.

Whether the chimney is initially connected to a gas, oil or wood-burning appliance, the parts used and clearances to combustibles are always the same. Remember that at some future time, the same chimney may serve a wood furnace, even if it started out with gas or oil.

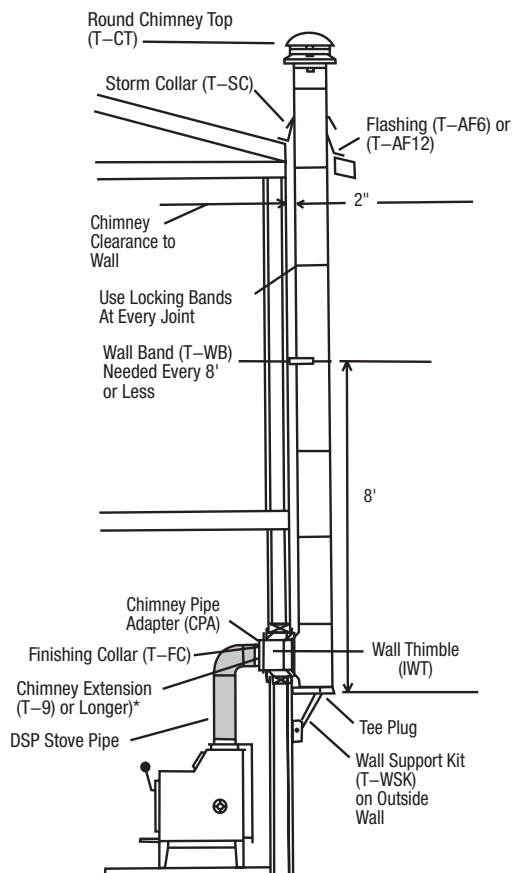
1. Maintain the minimum 2" AIRSPACE clearance to combustibles and to any insulation except SUSI.
2. For joint security—use Locking Bands or screws for the chimney and its connector.

**NOTE:** The drawings shown of these installations are solely for assistance in product selection. Reference should be made to the Selkirk Chimney System installation instructions for full and exact details of a correct installation.

### 1. Masonry Fireplace using Selkirk Chimney

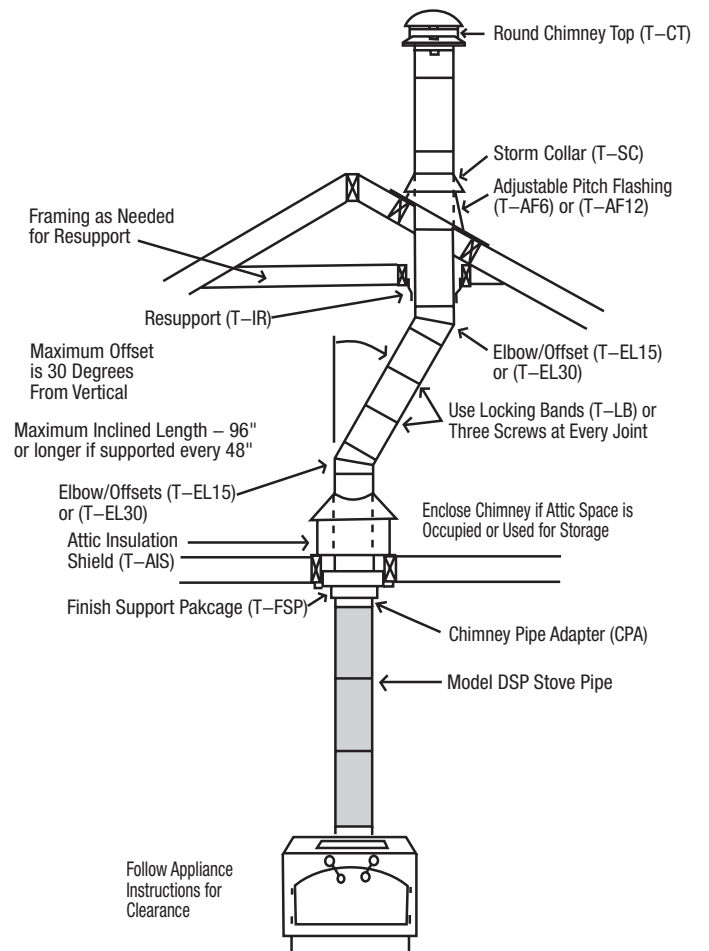


### 2. Basement Heater with Tee-supported outside chimney



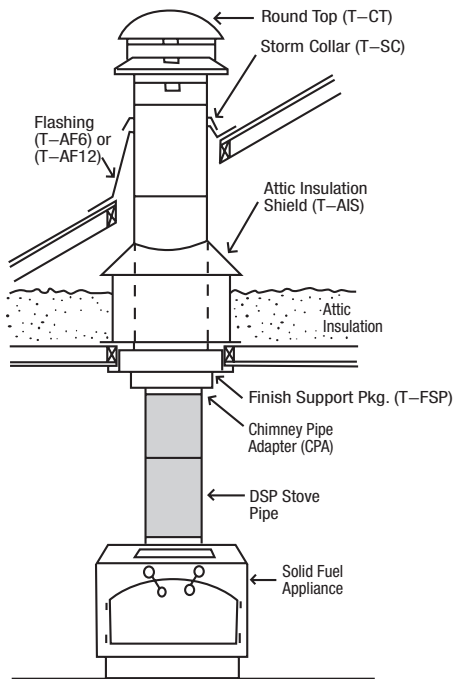
\*The end of the chimney section must extend into the room a minimum of 4-1/2" beyond the face of the wall.

### 3. Wood Stove with chimney offset to avoid ridge

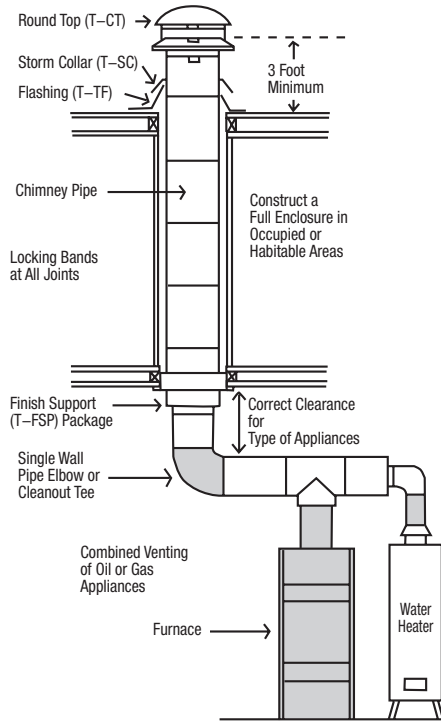


Follow Appliance Instructions for Clearance

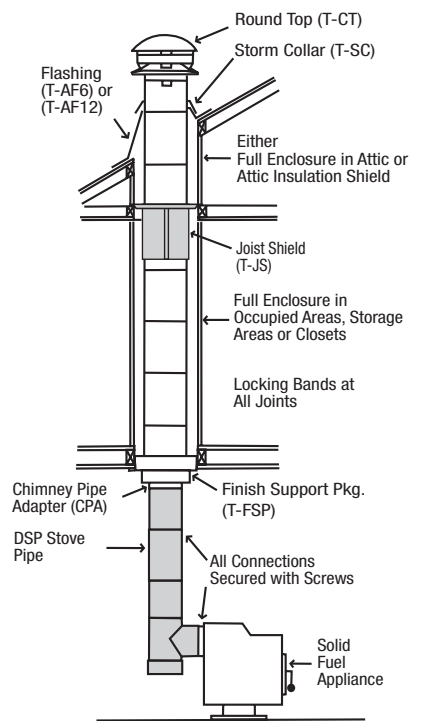
**4. Solid Fuel Appliance with a short vertical chimney**



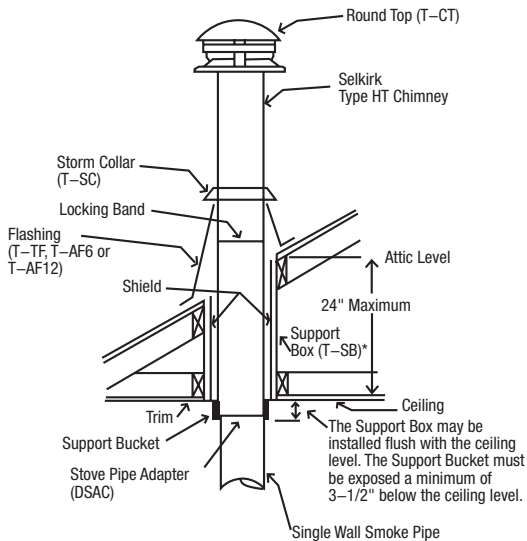
**5. Combination of Furnace and Water Heater on one chimney**



**6. Wood Heater with its chimney through an upstairs enclosure**

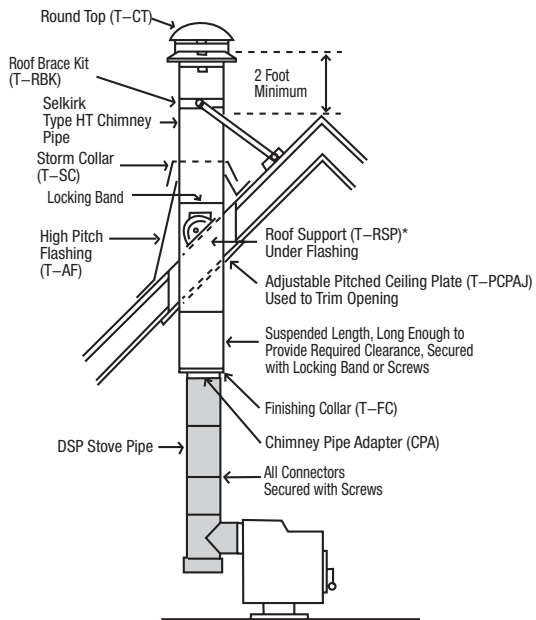


**7. Pitched Roof with Attic**



\* Support Box also intended for use in mobile home and A-frame installations.

**8. A-Frame with chimney on a steep pitch roof**



\* Support Box may also be used. Please consult installation instructions for more information.

**NOTE ON CHIMNEY/STOVE PIPE CONNECTIONS**

These diagrams show Ultra-Temp/Galva-Temp Chimney Systems connected to Selkirk DSP Double-Wall Stove Pipe using the Chimney Pipe Adapter. Ultra-Temp/Galva-Temp Chimneys may be connected to Single-Wall Stove Pipe using either DSA, DSAC or CPA. For additional information on Model DSP Double-Wall Stove Pipe go to [www.selkirkcorp.com](http://www.selkirkcorp.com).

# ULTRA-TEMP®/GALVA-TEMP® All-Fuel Chimney

## TECHNICAL DATA SHEET

### IMPORTANT

This catalog references ULTRA-TEMP/GALVA-TEMP Chimney Systems with maximum test temperatures under Underwriters' Laboratories Safety Standard for Factory-Built Chimneys (UL®-103).

#### ULTRA-TEMP® HT/GALVA-TEMP® HT

Diameter Sizes:	4" (UT), 5", 6", 7" & 8"
Part Identification:	Letter UT and GT
Clearances:	2" of airspace to Combustibles
Listing:	UL 103 Type HT
Temperature Ratings:	2100°F (Maximum Test 10 min.) 1400°F (Maximum for 60 min.) 1000°F (Maximum Continuous Operating Temperatures)



#### ULTRA-TEMP®/GALVA-TEMP®

Diameter Sizes:	10", 12", 14", 16", 18", 20", 22" & 24".
Part Identification:	Letter U and G
Clearances:	2" of airspace to Combustibles
Listing:	UL 103
Temperature Ratings:	1700°F (Maximum Test 10 min.) 1400°F (Maximum for 60 min.) 1000°F (Maximum Continuous Operating Temperatures)

The Selkirk Chimney System (SCS) is ideal for venting residential heating appliances burning wood, #2 oil, and natural and LP gas. They have been specifically designed for today's modern, high-efficiency "airtight" wood stoves. They are designed for gravity (natural draft), nonpositive internal pressure venting only. The SCS is usable on any appliance having a power burner (such as an oil furnace) if that appliance operates with neutral or negative draft at its outlet. Non-residential appliances which may cause positive pressure in the chimney should use a Selkirk Commercial Model PS or IPS system.

**NOTE:** See separate catalog for Canadian installation.

See separate catalog for 16" - 24" UTL / GTL

### FRAMING / SUPPORTS:

All Selkirk Supports are designed to carry four times the combined weight of each system at maximum allowable height.

**FRAMING TABLE TO MAINTAIN 2" AIR SPACE CLEARANCE**

CHIMNEY SIZE	4"	5"	6"	7"	8"	10"	12"	14"
Ceiling or Finish Support	**9" x 9"	11-1/4" x 11-1/4"	12-1/4" x 12-1/4"	13-1/4" x 13-1/4"	14-1/4" x 14-1/4"	16-1/4" x 16-1/4"	18-1/4" x 18-1/4"	20-1/4" x 20-1/4"
Ceiling Penetrations	10" x 10"	11" x 11"	12" x 12"	13" x 13"	14" x 14"	16" x 16"	18" x 18"	20" x 20"
Floor Openings	10" x 10"	11" x 11"	12" x 12"	13" x 13"	14" x 14"	16" x 16"	18" x 18"	20" x 20"
Roof Openings	10" x 10"	11" x 11"	12" x 12"	13" x 13"	14" x 14"	16" x 16"	18" x 18"	20" x 20"
Wall Openings	10" x 10"	11" x 11"	12" x 12"	13" x 13"	14" x 14"	16" x 16"	18" x 18"	20" x 20"

\* All framing dimensions may be up to 1/2" more, but not less than the above values.  
Check support dimensions before using.

\*\* 4" chimney approved for use at clearance provided by Ceiling Support

**SUPPORT TABLE MAX. HEIGHT**

SUPPORT TYPE	PART NO.	SIZE	
		5", 6", 7", 8" FEET OF CHIMNEY	10", 12", 14" FEET OF CHIMNEY
Anchor Plate	AP	85	85
Finish Or Ceiling Support	FSP, CSP	50	50
Insulated Tee	IT	50	40
Wall Support Kit	WSK	See Sheet S-5	40
Roof Support (A)	RSP, RSK	30	30
Interior Resupport	IR	18	18
Support Box	SB	20	—

**NOTE:** (A) 20 feet of chimney may be suspended below a roof support with all joints securely threaded, using locking bands or screws.

Sloped ceilings and roofs will not have a square opening, but need to maintain 2".  
The table only works on flat roof +/- or ceiling penetrations.

4" components support 50 feet: Ceiling Supports (BCS, LCS and CSG), Wall Support (WS), Roof Support (RS) and Anchor Plate (AP).

# ULTRA-TEMP®/GALVA-TEMP® All-Fuel Chimney

## CHIMNEY HEIGHT ABOVE ROOF

Requirement #1: The chimney must extend not less than 3ft. above the highest point at which the chimney comes in contact with the roof

Requirement #2: The chimney must extend not less than 2ft. above the highest roof surface or structure within a horizontal distance of 10ft.

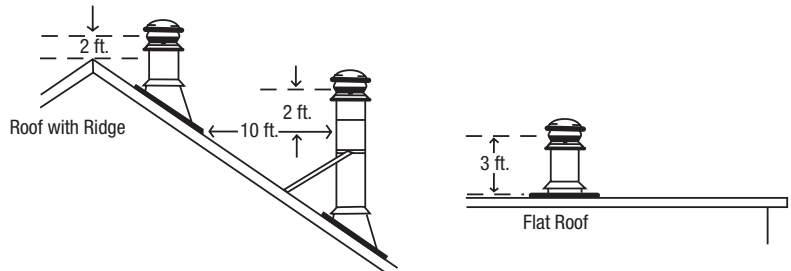
CHIMNEY HEIGHT CHART TO MEET THE 3, 2, 10 FOOT RULE ABOVE THE ROOF

DISTANCE FROM PEAK	PITCH OF ROOF											
	1/12	2/12	3/12	4/12	5/12	6/12	7/12	8/12	9/12	10/12	11/12	12/12
	CHIMNEY HEIGHT ABOVE ROOF (INCHES)											
10'	36	44	54	64	74	84	94	104	114	124	134	144
9'	36	42	51	60	69	78	87	96	105	114	123	132
8'	36	40	48	56	64	72	80	88	96	104	112	120
7'	36	38	45	52	59	66	73	80	87	94	101	108
6'	36	36	42	48	54	60	66	72	78	84	90	96
5'	36	36	39	44	49	54	59	64	69	74	79	84
4'	36	36	36	40	44	48	52	56	60	64	68	72
3'	36	36	36	36	39	42	45	48	51	54	57	60
2'	36	36	36	36	36	36	38	40	42	44	46	48
1'	36	36	36	36	36	36	36	36	36	36	36	36

- Step 1 = Multiply the upper part from the pitch of roof by the # of feet away from the peak
- Step 2 = Add 24" to your calculation to meet requirement #2
- Step 3 = Height of chimney required to extend above the roof line

\*Measurements in Grey highlights have been moved to 36" to meet requirement #1

The chimney must extend at least three feet above the highest point where it passes through the roof surface and at least two feet higher than any part of the building within a horizontal distance of ten feet.



## Chimney Lengths

### CHIMNEY PARTS GUIDE

The following section offers pictorial references, specifications and a brief description of major components to aid in the design of an Ultra-Temp - Type HT, Galva-Temp - Type HT, Ultra-Temp and Galva-Temp Chimney System.



- Stainless steel inner and galvanized outer pipe.
- All insulated pipe lengths are furnished with a Locking Band.
- Secure twist-lock design couples chimney sections together with just a 1/8 turn.
- To calculate installed length, subtract 1-1/4" per joint.
- Insulated chimney requires 2" clearance to combustible material.
- Galva-Temp and Ultra-Temp can be combined to make a complete and cost effective installation.

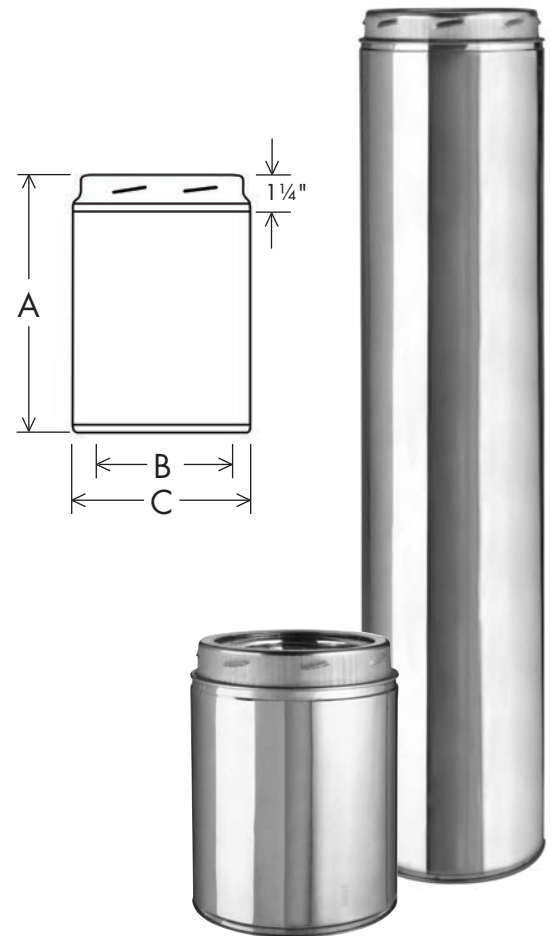
#### GALVA-TEMP - TYPE HT

Size	A	B	C	Product No.	Part No.	Pack
6"	6"	6"	8"	206006G	6GT-6	1
	9"	6"	8"	206009G	6GT-9	1
	18"	6"	8"	206018G	6GT-18	1
	36"	6"	8"	206036G	6GT-36	1
	48"	6"	8"	206148G	6GT-48	1
7"	6"	7"	9"	207006G	7GT-6	1
	9"	7"	9"	207009G	7GT-9	1
	18"	7"	9"	207018G	7GT-18	1
	36"	7"	9"	207036G	7GT-36	1
	48"	7"	9"	207148G	7GT-48	1
8"	6"	8"	10"	208006G	8GT-6	1
	9"	8"	10"	208009G	8GT-9	1
	18"	8"	10"	208018G	8GT-18	1
	36"	8"	10"	208036G	8GT-36	1
	48"	8"	10"	208148G	8GT-48	1

#### GALVA-TEMP

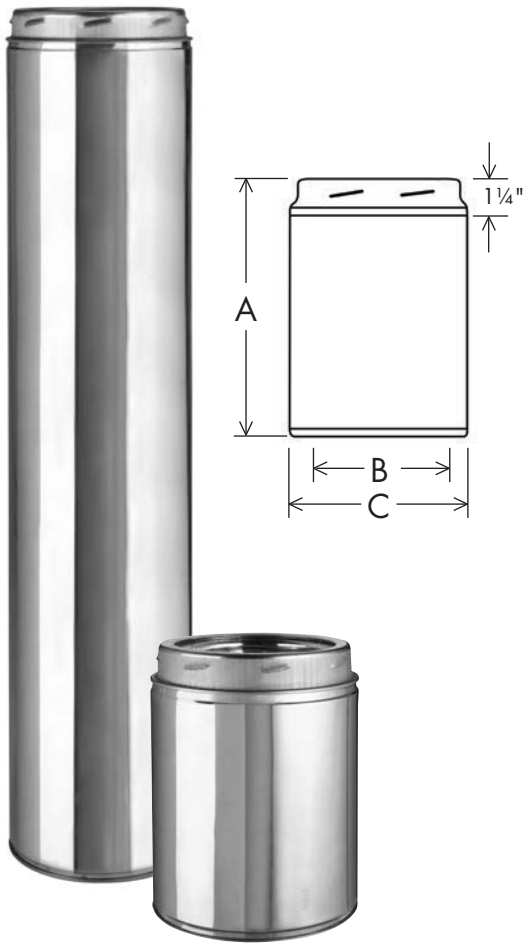
Size	A	B	C	Product No.	Part No.	Pack
10"	12"	10"	12"	210012G	10GT-12	1
	18"	10"	12"	210018G	10GT-18	1
	24"	10"	12"	210024G	10GT-24	1
	36"	10"	12"	210036G	10GT-36	1
12"	12"	12"	14"	212012G	12GT-12	1
	18"	12"	14"	212018G	12GT-18	1
	24"	12"	14"	212024G	12GT-24	1
	36"	12"	14"	212036G	12GT-36	1
14"	12"	14"	16"	214012G	14GT-12	1
	18"	14"	16"	214018G	14GT-18	1
	24"	14"	16"	214024G	14GT-24	1
	36"	14"	16"	214036G	14GT-36	2

### INSULATED LENGTHS GALVA-TEMP



## Chimney Lengths

### INSULATED LENGTHS ULTRA-TEMP



**NOTE:** All insulated pipe lengths are furnished with a Locking Band, except for 4" - supplied with securing screw.

- Stainless steel inner and outer pipe.
- All insulated pipe lengths are furnished with a Locking Band.
- Secure twist-lock design couples chimney sections together with just a 1/8 turn.
- To calculate installed length, subtract 1-1/4" per joint.
- Insulated chimney requires 2" clearance to combustible material.
- Ultra-Temp and Galva-Temp can be combined to make a complete and cost effective installation.

### ULTRA-TEMP - TYPE HT

Size	A	B	C	Product No.	Part No.	Pack
4"	6"	4"	6"	204006U	N/A	1
	12"	4"	6"	204012U	N/A	1
	18"	4"	6"	204018U	N/A	1
	24"	4"	6"	204024U	N/A	1
	36"	4"	6"	204036U	N/A	1
5"	6"	5"	7"	205006U	5UT-6	1
	9"	5"	7"	205009U	5UT-9	1
	12"	5"	7"	205012U	5UT-12	1
	18"	5"	7"	205018U	5UT-18	1
	36"	5"	7"	205036U	5UT-36	1
6"	6"	6"	8"	206006U	6UT-6	1
	9"	6"	8"	206009U	6UT-9	1
	12"	6"	8"	206012U	6UT-12	1
	18"	6"	8"	206018U	6UT-18	1
	24"	6"	8"	206024U	6UT-24	1
	36"	6"	8"	206036U	6UT-36	1
	48"	6"	8"	206148U	6UT-48	1
7"	6"	7"	9"	207006U	7UT-6	1
	9"	7"	9"	207009U	7UT-9	1
	12"	7"	9"	207012U	7UT-12	1
	18"	7"	9"	207018U	7UT-18	1
	24"	7"	9"	207024U	7UT-24	1
	36"	7"	9"	207036U	7UT-36	1
	48"	7"	9"	207148U	7UT-48	1
8"	6"	8"	10"	208006U	8UT-6	1
	9"	8"	10"	208009U	8UT-9	1
	12"	8"	10"	208012U	8UT-12	1
	18"	8"	10"	208018U	8UT-18	1
	24"	8"	10"	208024U	8UT-24	1
	36"	8"	10"	208036U	8UT-36	1
	48"	8"	10"	208148U	8UT-48	1



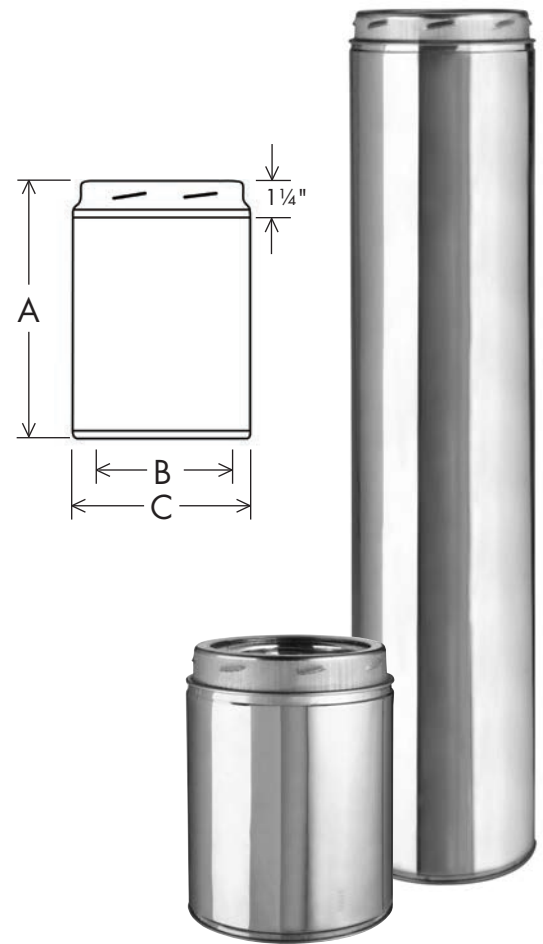
## Chimney Lengths *continued*

- Stainless steel inner and outer pipe.
- All insulated pipe lengths are furnished with a Locking Band.
- Secure twist-lock design couples chimney sections together with just a 1/8 turn.
- To calculate installed length, subtract 1-1/4" per joint.
- Insulated chimney requires 2" clearance to combustible material.
- Ultra-Temp and Galva-Temp can be combined to make a complete and cost effective installation.

### ULTRA-TEMP

Size	A	B	C	Product No.	Part No.	Pack
10"	6"	10"	12"	210006U	10U-6	1
	9"	10"	12"	210009U	10U-9	1
	12"	10"	12"	210012U	10U-12	1
	18"	10"	12"	210018U	10U-18	1
	24"	10"	12"	210024U	10U-24	1
	36"	10"	12"	210036U	10U-36	1
12"	6"	12"	14"	212006U	12U-6	1
	9"	12"	14"	212009U	12U-9	1
	12"	12"	14"	212012U	12U-12	1
	18"	12"	14"	212018U	12U-18	1
	24"	12"	14"	212024U	12U-24	1
	36"	12"	14"	212036U	12U-36	1
14"	6"	14"	16"	214006U	14U-6	1
	9"	14"	16"	214009U	14U-9	1
	12"	14"	16"	214012U	14U-12	1
	18"	14"	16"	214018U	14U-18	1
	24"	14"	16"	214024U	14U-24	1
	36"	14"	16"	214036U	14U-36	1

### INSULATED LENGTHS ULTRA-TEMP CONTINUED

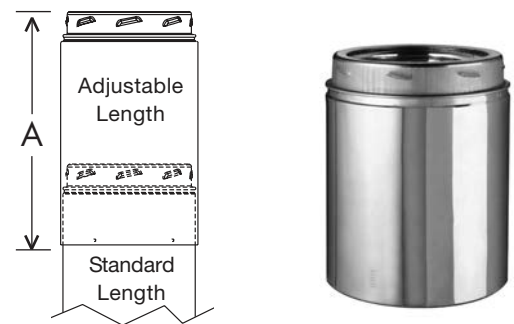


**NOTE:** All insulated pipe lengths are furnished with a Locking Band, except for 4" - supplied with securing screw.

- Overall length of 12".
- Adjustable from 2" to 9-1/2".
- Used in offset applications.
- Supplied with Locking Band.

Size	A	Product No.	Part No.	Pack
5"	12"	205011U	5UT-11AJ	1
6"	12"	206011U	6UT-11AJ	1
7"	12"	207011U	7UT-11AJ	1
8"	12"	208011U	8UT-11AJ	1

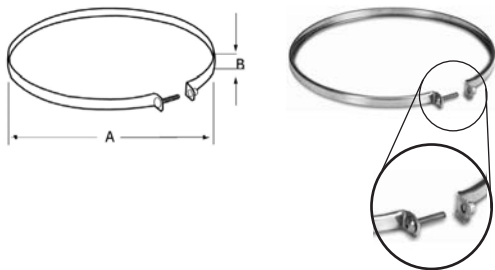
### ULTRA-TEMP ADJUSTABLE LENGTH



**NOTE:** Adjustable Lengths must be installed above a fixed length - they cannot be installed immediately above a support, tee or elbow.

## Elbows and Tees

### LOCKING BANDS



- Versatile, simple device for increasing stability of a chimney.
- Inward flanges around the band fit into grooves at chimney length joints.
- Reinforces joints of chimney and prevents accidental uncoupling.
- Locking Band is included with all insulated lengths, tees and elbow kits.
- Made of stainless steel.

Size	A	B	Product No.	Part No.	Pack
5"	7"	7/16"	205450	5T-LB	4
6"	8"	7/16"	206450	6T-LB	4
7"	9"	7/16"	207450	7T-LB	4
8"	10"	7/16"	208450	8T-LB	4
10"	12"	7/16"	210450	10S-LB	4
12"	14"	7/16"	212450	12S-LB	4
14"	16"	7/16"	214450	14S-LB	4

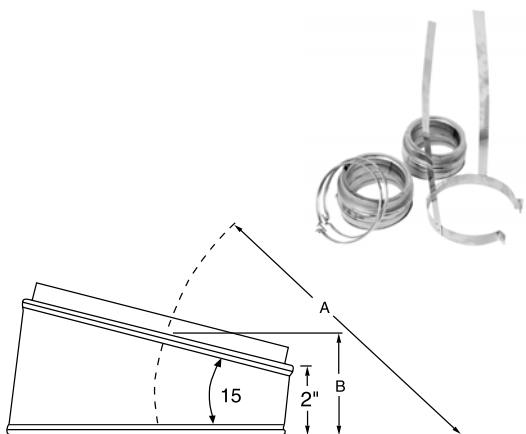
### ELBOW KITS



- **Kits Include:** 2 Elbows, 2 Locking Bands and Interior Resupport in one box.
- **REQUIRED:** Locking bands (two packaged with each elbow kit) allow 360 degree rotation and lock the components together at the exact offset required. Elbows can be used on the same two-inch air space clearance as chimney sections.
- The first vertical length of chimney above an offset should be resupported, using an Interior Resupport Assembly securely clamped to the pipe just below a Locking Band, with its straps nailed to a nearby structure.

**Note:** For additional information see Installation Instructions or visit [www.selkirkcorp.com](http://www.selkirkcorp.com)

### 15° INSULATED ELBOW KIT



**NOTE:** 4" Elbows not sold in kits - offset support required

### ULTRA-TEMP

Size	A	B	Product No.	Part No.	Pack
4"	N/A	N/A	204206	N/A	1
5"	11-5/8"	3-1/16"	205206	5T-EL 15 KIT	1
6"	11-5/8"	3-1/16"	206206	6T-EL 15 KIT	1
7"	12-1/2"	3-3/16"	207206	7T-EL 15 KIT	1
8"	12-5/8"	3-5/16"	208206	8T-EL 15 KIT	1
10"	13-5/8"	3-9/16"	210206	10S-EL 15 KIT	1
12"	14-5/8"	3-13/16"	212206	12S-EL 15 KIT	1
14"	15-5/8"	4-1/8"	214206	14S-EL 15 KIT	1

### GALVA-TEMP

Size	A	B	Product No.	Part No.	Pack
6"	11-5/8"	3-1/16"	206206G	6GT-EL 15 KIT	1
7"	12-1/2"	3-3/16"	207206G	7GT-EL 15 KIT	1
8"	12-5/8"	3-5/16"	208206G	8GT-EL 15 KIT	1

## Elbows and Tees continued

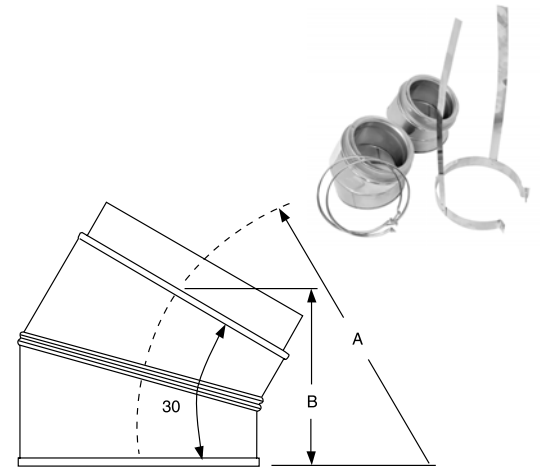
### ULTRA-TEMP

Size	A	B	Product No.	Part No.	Pack
4"	N/A	N/A	204211	N/A	1
5"	12-1/2"	6-1/4"	<del>205211</del>	5T-EL 30 KIT	1
6"	12-1/2"	6-1/4"	<del>206211</del>	6T-EL 30 KIT	1
7"	13-3/4"	7"	<del>207211</del>	7T-EL 30 KIT	1
8"	14-3/4"	7-3/8"	<del>208211</del>	8T-EL 30 KIT	1
10"	13-5/8"	7"	210211	10S-EL 30 KIT	1
12"	14-5/8"	7-1/2"	212211	12S-EL 30 KIT	1
14"	15-5/8"	8"	214211	14S-EL 30 KIT	1

### GALVA-TEMP

Size	A	B	Product No.	Part No.	Pack
6"	12-1/2"	6-1/4"	<del>206211G</del>	6GT-EL 30 KIT	1
7"	13-3/4"	7"	<del>207211G</del>	7GT-EL 30 KIT	1
8"	14-3/4"	7-3/8"	<del>208211G</del>	8GT-EL 30 KIT	1
10"	13-5/8"	7"	210211G	10G-EL 30 KIT	1
12"	14-5/8"	7-1/2"	212211G	12G-EL 30 KIT	1
14"	15-5/8"	8"	214211G	14G-EL 30 KIT	1

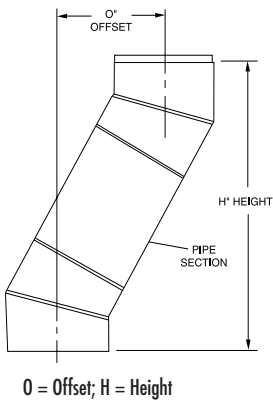
### 30° INSULATED ELBOW KIT



#### NOTE:

- 4" Elbows not sold in kits - offset support required.
- A 30 degree Elbow for 12" & 14" consists of two 15 degree Elbows.

## Chimney Offset Table



Part No.	2 Elbows w/o Pipe		2 Elbows + 6" Section		2 Elbows + 9" Section		2 Elbows + 12" Section		2 Elbows + 18" Section		2 Elbows + 24" Section		2 Elbows + 36" Section		2 Elbows + 48" Section	
	O	H	O	H	O	H	O	H	O	H	O	H	O	H	O	H
5GT/UT - 15°	1.00"	8.75"	2.23"	13.34"	3.01"	16.24"	3.78"	19.13"	5.34"	24.93"	6.89"	30.72"	9.99"	42.32"	N/A	N/A
6GT/UT - 15°	0.88"	7.63"	2.10"	12.21"	2.88"	15.11"	3.66"	18.01"	5.21"	23.80"	6.76"	29.60"	9.87"	41.19"	12.97"	52.78"
7GT/UT - 15°	0.88"	8.75"	2.10"	13.34"	2.88"	16.24"	3.66"	19.13"	5.21"	24.93"	6.76"	30.72"	9.87"	42.32"	12.97"	53.91"
8GT/UT - 15°	1.00"	8.25"	2.23"	12.84"	3.01"	15.74"	3.78"	18.63"	5.34"	24.43"	6.89"	30.22"	9.99"	41.82"	13.10"	53.41"
5GT/UT - 30°	3.13"	13.38"	5.50"	17.49"	7.00"	20.09"	8.50"	22.68"	11.50"	27.88"	14.5"	33.08"	20.50"	43.47"	N/A	N/A
6GT/UT - 30°	3.00"	12.50"	5.38"	16.61"	6.88"	19.21"	8.38"	21.81"	11.38"	27.01"	14.38"	32.20"	20.38"	42.59"	26.38"	52.99"
7GT/UT - 30°	3.75"	14.50"	6.13"	18.61"	7.63"	21.21"	9.13"	23.81"	12.13"	29.01"	15.13"	34.20"	21.13"	44.59"	27.13"	54.99"
8GT/UT - 30°	3.63"	14.50"	6.00"	18.61"	7.50"	21.21"	9.00"	23.81"	12.00"	29.01"	15.00"	34.20"	21.00"	44.59"	27.00"	54.99"
10GT/UT - 15°	1.25"	9.50"	2.75"	14.00"	3.25"	16.92"	4.00"	19.75"	5.50"	25.63"	7.13"	31.38"	10.25"	43.00"	N/A	N/A
12GT/UT - 15°	1.00"	7.72"	2.23"	12.31"	3.01"	15.21"	3.78"	18.10"	5.33"	23.90"	6.88"	29.69"	9.99"	41.28"	N/A	N/A
14GT/UT - 15°	1.06"	8.25"	2.29"	12.84"	3.07"	15.74"	3.84"	18.63"	5.39"	24.43"	6.95"	30.22"	10.05"	41.82"	N/A	N/A
10GT/UT - 30°	3.92"	15.18"	6.30"	19.29"	7.80"	21.89"	9.30"	24.49"	12.30"	29.70"	15.30"	34.88"	21.30"	45.27"	N/A	N/A
12GT/UT - 30°	3.92"	14.63"	6.30"	18.74"	7.80"	21.34"	9.30"	23.93"	12.30"	29.14"	15.30"	34.33"	21.29"	44.72"	N/A	N/A
14GT/UT - 30°	4.19"	15.63"	6.57"	19.74"	8.07"	22.34"	9.56"	24.93"	12.57"	30.14"	15.57"	35.33"	21.56"	45.72"	N/A	N/A

#### NOTE: O = Offset; H = Height

All dimensions and indicated lengths assume a 1.25" overlap... 5" through 10"; 15 degree elbows are new 2 gore design. "(2-15)" are for a pair of 15 degree elbows.

## Elbows and Tees continued

### INSULATED TEE AND PLUG



**Note:** 4" Insulated Tee not exactly as shown

- Allows the horizontal connection of the chimney to the appliance.
- Can be used on the interior or exterior of the building, in combination with a Wall Support Assembly.
- The Tee Cap provided allows access for inspection and cleaning.
- Includes Locking Band.

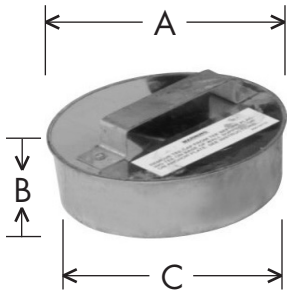
#### STAINLESS INSULATED TEE WITH INSULATED TEE PLUG - TYPE HT

Size	A	B	C	Product No.	Part No.	Pack
4"	N/A	N/A	N/A	204100	N/A	1
5"	6-1/4"	6-1/4"	12-1/2"	<del>205100</del>	5T-IT	1
6"	6-3/8"	6-3/8"	12-3/4"	<del>206100</del>	6T-IT	1
7"	6-7/8"	6-7/8"	13-3/4"	<del>207100</del>	7T-IT	1
8"	7-3/8"	7-3/8"	14-3/4"	<del>208100</del>	8T-IT	1
10"	8-3/8"	8-3/8"	16-3/4"	210100	10S-IT	1
12"	9-3/8"	9-3/8"	18-3/4"	212100	12S-IT	1
14"	10-3/8"	10-3/8"	20-3/4"	214100	14S-IT	1

#### GALVANIZED TEE W/INSULATED TEE PLUG

Size	A	B	C	Product No.	Part No.	Pack
6"	6-3/8"	6-3/8"	12-3/4"	<del>206100G</del>	6GTHT	1
7"	6-7/8"	6-7/8"	13-3/4"	<del>207100G</del>	7GTHT	1
8"	7-3/8"	7-3/8"	14-3/4"	<del>208100G</del>	8GTHT	1

### INSULATED TEE PLUG



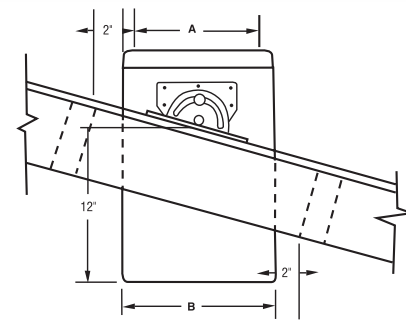
- Removable to provide easy access for chimney maintenance and inspection.
- Insulated to help maintain flue gas temperature.

Size	A	B	C	Product Code	Part No.	Pack
5"	5-3/8"	2"	4-15/16"	<del>205102</del>	5T-IP	1
6"	6-3/8"	2"	5-15/16"	<del>206102</del>	6T-IP	1
7"	7-3/8"	2"	6-15/16"	<del>207102</del>	7T-IP	1
8"	8-3/8"	2"	7-15/16"	<del>208102</del>	8T-IP	1
10"	10-3/8"	2"	9-15/16"	210102	10S-IP	1
12"	12-3/8"	2"	11-15/16"	212102	12S-IP	1
14"	14-3/8"	2"	13-15/16"	214102	14S-IP	1

## Supports

- An ideal support assembly for open cathedral ceiling installations. Fits all roof pitches and requires only simple framing. Mounts easily on to top of roof through opening that allows 2" clearance. Maximum length of chimney which can be suspended below is 20' supported. Maximum total length is 30'.
- The Roof Support Package (RSP) contains one 18" length of pipe, roof brackets and necessary hardware.
- The roof brackets and hardware may be purchased without the pipe section by ordering a Roof Support Kit (RSK).
- The brackets may be assembled to any standard pipe length at any desired height. Locking bands must be used at each pipe joint when installing either the RSP or RSK.

### ROOF SUPPORT PACKAGE



**Note:** \*"*t*" varies with slope.  
 \*4" RS is not exactly as shown. The 4" RS does not include an 18" Length and supports up to 50' of chimney

### ULTRA-TEMP

Size	A	B	Framing	Product No.	Part No.	Pack
4"	4"	6"	10" x t"	HT4RS	N/A	1
5"	5"	7"	11" x t"	205420	5T-RSP	1
6"	6"	8"	12" x t"	206420	6T-RSP	1
7"	7"	9"	13" x t"	207420	7T-RSP	1
8"	8"	10"	14" x t"	208420	8T-RSP	1
10"	10"	12"	16" x t"	210420	10S-RSP	1
12"	12"	14"	18" x t"	212420	12S-RSP	1
14"	14"	16"	20" x t"	214420	14S-RSP	1

For 6" - 14" Galva-Temp Chimney use Ultra-Temp Roof Support Package or RSK Roof Support Kit.

### ROOF SUPPORT KIT

Brackets and mounting hardware only

- May be attached to any standard pipe length.

200420 RSK (works on all diameters)

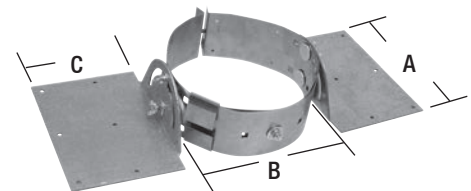
- This new design gives you the flexibility of securing the 5", 6", 7" or 8" diameter chimney with a heavy duty band. The band allows you to slide the installed length vertically to properly position this section in the system. Installation requirements are the same as our standard RSP. The URSA can hold 30' of pipe total – up to 20' can be below.

### UNIVERSAL ROOF SUPPORT ASSEMBLY - 5"- 8" DIA. PIPE

A	B	C	Product No.	Part No.	Pack
8"	Adjustable 7"-10"	5-3/4"	200250	URSA	1

Brackets and mounting hardware with band

### UNIVERSAL ROOF SUPPORT ASSEMBLY



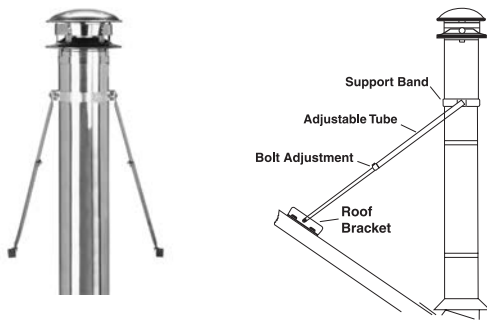
### HEAVY DUTY UNIVERSAL ROOF BRACE KIT



- The Universal Roof Brace Kit is designed to provide extra stability for the chimney system above roof line, and is required when the chimney extends 5 feet or more above the roof.
- One kit should be used for every 5' of chimney.
- Includes telescoping legs that adjust from 5'-9' and a support band that adjusts to fit chimneys from 5" to 8" ID.

Size	Product No.	Part No.	Pack
5" to 8" ID	0843900	HDRBK	1

### ROOF BRACE KIT



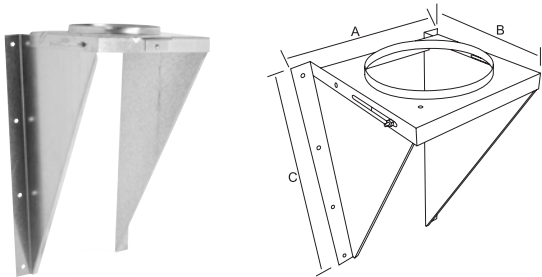
- A Roof Brace Kit can be used whenever there is a need to stabilize the chimney above the roof level. The Roof Brace Kit should be used at a midpoint on the chimney. Braces adjust from 4' to 7-1/2'.

#### ROOF BRACE KITS REQUIREMENTS

up to 4'	None
5' to 10'	1
over 10'	1 every 5'

Size	Product No.	Part No.	Pack
6"	206440	6T-RBK	1
7"	207440	7T-RBK	1
8"	208440	8T-RBK	1

### WALL SUPPORT KIT - Now Supports 60 Vertical Feet at 2" from Wall



\*12" and 14" Design not as illustrated and are non-adjustable.

**NOTE:** 5"-10" will allow for an adjustment of 2" to 6" from a vertical wall. 12" and 14" are non-adjustable at 2" from a vertical wall.

- The Type HT Wall Support Kit has been tested for use fully enclosed and has been designed in 5", 6", 7" and 8" sizes to carry up to 60' of height. The capacity of the larger sizes, 10", 12" and 14", is 40' of chimney.
- The Wall Support is intended for use with the Insulated Tee as an interior or exterior support where the chimney has a lateral connection. It is also useful where the pipe connection passes through a combustible interior or exterior wall.
- Braces may be fastened to the wall either above or below the plate for chimneys which penetrate through the wall.

Size	A	B	C	Product No.	Part No.	Pack
5"	9-1/4"	10-5/8"	18-7/8"	205430	5T-AWS	1
6"	9-1/4"	10-5/8"	18-7/8"	206430	6T-AWS	1
7"	10-1/4"	11-5/8"	20-1/2"	207430	7T-AWS	1
8"	11-1/4"	12-5/8"	21-7/8"	208430	8T-AWS	1
10"	16"	14-5/8"	25-1/4"	210430	10S-AWS	1
12"	19"	16-1/2"	23"	212430	12S-AWS	1
14"	21"	18-1/2"	27"	214430	14S-AWS	1

## Supports continued

- Designed to support up to 29' of ULTRA-TEMP Chimney in a wall installation above the tee or above an offset. It can also serve as an intermediate support.
- This universal design will work on 5", 6", 7" and 8" diameters.

Size	Product No.	Part No.	Pack
5", 6", 7", 8"	200260	UWRSA	1

VERTICAL SUPPORT CHART	
Diameter	Height of Support
5"	29'
6"	28'
7"	25'
8"	20'

- Designed to support a vertical wall installation above the insulated tee, the Universal Extended Wall Support can support up to 28 feet of chimney.
- It adjusts up to 12" from the vertical wall and can pass by a 12" overhang.

Size	A	B	C	Product No.	Part No.	Pack
6"-8"	22"	5"	8"-10"	0805900	UEWS	1

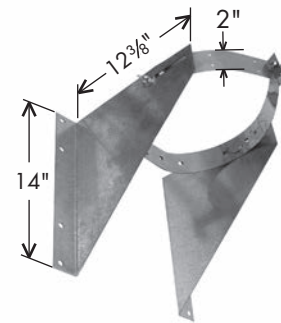
- Required to support offset at the immediate section of chimney above the upper elbow of an offset.
- Will support 25' of 4" diameter chimney.
- For diameters from 5" to 14", it will support 18'.
- Straps are 17.5" in length.

Size	Product No.	Part No.	Pack
4"	HT4IOS	N/A	1
5"	205435	5T-IR	1
6"	<del>206435</del>	6T-IR	1
7"	<del>207435</del>	7T-IR	1
8"	<del>208435</del>	8T-IR	1
10"	210435	10S-IR	1
12"	212435	12S-IR	1
14"	214435	14S-IR	1

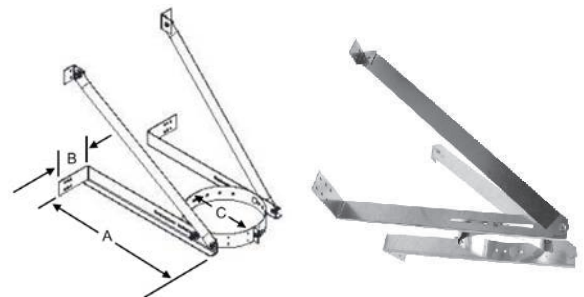
- Incorporates the flexibility to work on 5", 6", 7" and 8" diameters and is an excellent method for resupporting chimney systems that have offsets or vertical runs that require additional support (up to 18').
- Straps measure 18".

Size	Product No.	Part No.	Pack
5"- 8" Dia. Pipe	200230	UIRA	1

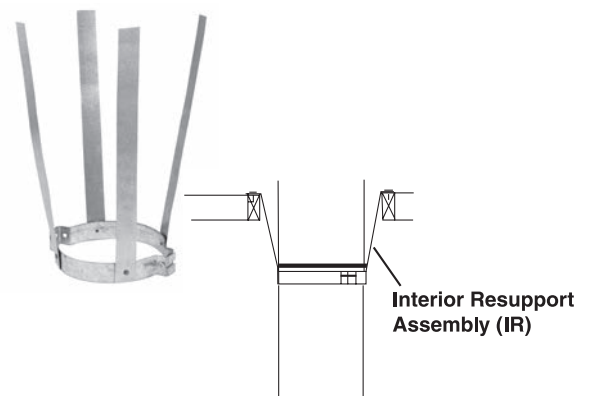
### UNIVERSAL WALL SUPPORT / RESUPPORT ASSEMBLY



### UNIVERSAL EXTENDED WALL SUPPORT



### INTERIOR RESUPPORT



**NOTE:** 4" IOS is not exactly as shown. The 4" IOS is installed immediately on the section of chimney above the upper elbow of an offset and will support 25' of chimney.

### UNIVERSAL INTERIOR RESUPPORT





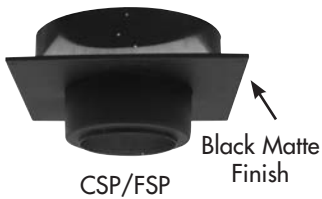
**TEE CAP RETAINER**



- The Universal Tee Cap Retainer secures the tee cap on the bottom side of an Insulated Tee.
- It can adjust to fit all chimneys ranging from 5"-8" in diameter. Required when Insulated Tee is suspended below a Universal Wall Support or Universal Extended Wall Support.

Size	Product No.	Part No.	Pack
5" to 8"	2002530	UTCR	1

**CEILING SUPPORTS**



- The Finish Support Package (FSP) is available with a square trim plate in 6", 7" and 8" sizes.
- The FSPR has a round trim plate and is available in a 5", 6" or 8" size.
- The Ceiling Support (CSP) in 10" size is unpainted and comes with a square trim plate only.
- With proper framing, all ceiling supports assure at least 2" minimum clearance to combustibles at the support level and can carry up to 50' of vertical chimney height.

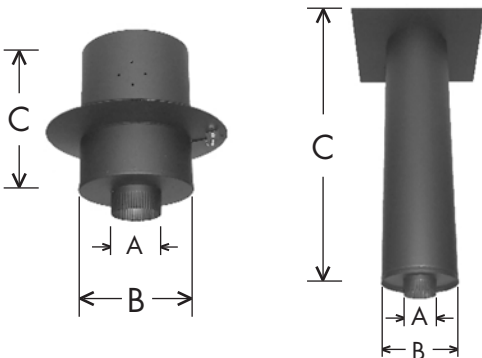
**ROUND CEILING SUPPORT**

O.D.	Framing Dimensions	Round Plate Dimensions	From Ceiling	Product No.	Part No.	Pack
Dim "A"	Dim "B"	Dim "C"	Dim "D"			
5-1/4"	11-1/4" x 11-1/4"	17"	3-1/2"	205411	5T-CSPR	1
6-1/4"	12-1/4" x 12-1/4"	19"	3-1/2"	206411	6T-FSPR	1
8-1/4"	14-1/4" x 14-1/4"	22"	3-1/2"	208411	8T-FSPR	1

**SQUARE CEILING SUPPORT**

O.D.	Framing Dimensions	Square Plate Dimensions	From Ceiling	Product No.	Part No.	Pack
Dim "A"	Dim "B"	Dim "C"	Dim "D"			
6-1/4"	12-1/4" x 12-1/4"	14-1/4"	3-1/2"	206410	6T-FSP	1
7-1/4"	13-1/4" x 13-1/4"	15-1/4"	3-1/2"	207410	7T-FSP	1
8-1/4"	14-1/4" x 14-1/4"	16-1/4"	3-1/2"	208410	8T-FSP	1
10-1/4"	16-1/4" x 16-1/4"	18-1/4"	3-1/2"	210415	10S-CSP	1

**CEILING SUPPORT FOR 4" UT**



- Used to support chimney from a flat ceiling joist (BCS) or in a cathedral ceiling (LCS) installation.
- Supports up to 50' of chimney.
- Round design with decorative black hi-temp paint finish.

Size	A	B	C	Product Code	Pack
4"	4"	9"	12"	HT4BCS	1
4"	4"	9"	36"	HT4LCS	1

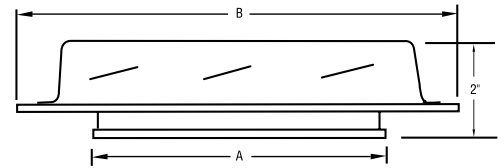


## Supports continued

- The Anchor Plate provides a secure attachment for the chimney to smoke chamber outlet on masonry fireplaces, reducing footing loads and speeding construction.
- The Anchor Plate can be used for adapting the UT Chimney to a "Listed" Factory-Built fireplace certified for use with model UT. Follow the installation instructions accompanying the fireplace.
- Stainless steel and heavy gauge steel construction for long life.
- Retains chimney with a twist-lock connection.
- Supports up to 85' (4" supports up to 50').

A	B	Product No.	Part No.	Pack
4"	7-1/4"	HT4AP	N/A	1
6"	9-1/4"	206400	6T-AP	1
7"	10-1/4"	207400	7T-AP	1
8"	11-1/4"	208400	8T-AP	1
10"	13-1/4"	210400	10S-AP	1
12"	15-1/4"	212400	12S-AP	1
14"	17-1/4"	214400	14S-AP	1

### ANCHOR PLATE

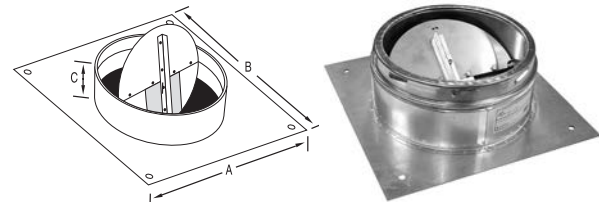


**Note:** 4" Anchor Plate not exactly as shown.

- Now when installing Selkirk's large diameter chimney on a masonry fireplace, you can use our new Anchor Plate with an easy operating, built-in damper. Also includes a 6' rope wire for easy operation of damper.

Dia.	A	B	C	Product No.	Part No.	Pack
10"	16"	16"	5-1/8"	210404	10S-APD	1
12"	18"	18"	5-1/8"	212404	12S-APD	1
14"	20"	20"	5-1/8"	214404	14S-APD	1

### ANCHOR PLATE WITH DAMPER (10", 12", 14" DIA.)



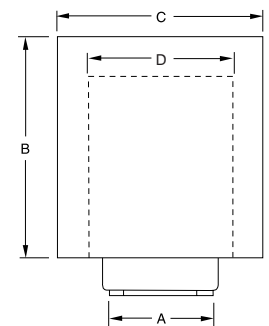
- The Support Box is intended for use when installing chimney in an A-frame, in a mobile home, in an unfinished ceiling, or in a ceiling under a narrow section of roof.
- It provides a finished installation at the ceiling level and will support up to 20' of 6", 7" or 8" diameter chimney.
- The part also provides shielding from insulation when installed in an unoccupied attic space.
- The Support Box assembly is comprised of a black box designed for installation inside 16" O.C. joists, a cylindrical shield, support bucket, ceiling trim and four screws.

Size	A	B	C	D	Product No.	Part No.	Pack
6"	6-1/4"	24"	14-1/4"	10"	206424	6T-SB	1
7"	7-1/4"	24"	14-1/4"	11"	207424	7T-SB	1
8"	8-1/4"	24"	14-1/4"	12"	208424	8T-SB	1

### SUPPORT BOX / CATHEDRAL CEILING / MOBILE HOME SUPPORT



Black Matte Finish



**Note:** Add SUS1 to this part for increased performance and safety. (See Pg. 25)

## Chimney Kits

### ROOF TERMINATION KIT (RTK)



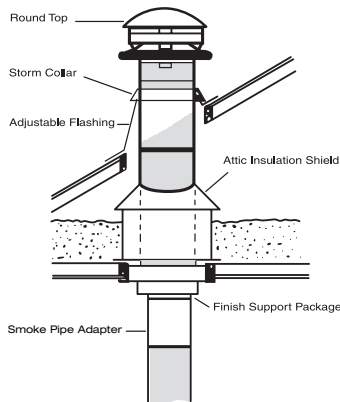
- Includes the basic components for a standard installation. Contents: CT, AF-6 & SC.

Size	Product No.	Part No.	Description	Pack
6"	206600	6T-RTK	Roof Termination Kit (2/12 - 6/12)	1
8"	208600	8T-RTK	Roof Termination Kit (2/12 - 6/12)	1

### Ultra-Temp HT Chimney Kits

Three basic Chimney Kits designed around one of the standard support systems. Select the kit that is right for your installation along with the required insulated pipe sections and you'll have what you need to complete most installations.

### FLAT CEILING SUPPORT KIT (FCK)



- Provides the support package and termination parts for a chimney that is supported by a flat ceiling and passes through an attic area and penetrates a 2/12 to 6/12 pitch roof. Just add Pipe Lengths and the Flat Ceiling Support Kit (FCK) has all necessary parts for complete installation.
- Depending upon your roof design and the position of your chimney on the roof, it may be necessary to install a Roof Brace Kit to provide required stability for your chimney above the roof.
- An Attic Insulation Shield is a required part of the installation even if you have no insulation in the area where your chimney passes through the attic. The only exception to this AIS installation is if you install a full enclosure around the chimney in the attic area at the minimum two inch clearance.

**Contents:**

- Round Top
- Attic Insulation Shield
- Storm Collar
- Finish Support Pkg.
- Adjustable Flashing
- Smoke Pipe Adapter

- CT**
- AIS**
- SC**
- FSP**
- AF-6**
- DSAC**

Size	Product No.	Part No.	Description	Pack
6"	206620	6T-FCK	Flat Ceiling Support Kit	1
8"	208620	8T-FCK	Flat Ceiling Support Kit	1

If connecting to double wall stove pipe DSP, use the CPA Chimney Pipe Adapter in place of the DSAC. See page 26

## Chimney Kits *continued*

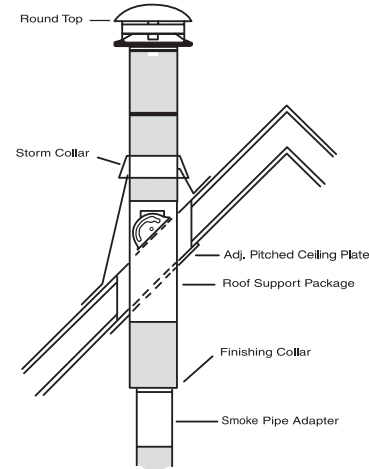
- For installation of a chimney in a cathedral or pitched ceiling such as standard A-Frame construction.
- The Pitched Ceiling Support Kit provides all necessary parts for a complete installation with the exception of the required Insulated Pipe Lengths and Adjustable Flashing (AF). Selection of the Adjustable Flashing is determined by the pitch of your roof as explained on page 6.
- In calculating the number of insulated Pipe Lengths your chimney run requires, note that the Roof Support Package (RSP) comes with one 18" pipe length as part of the support.
- Depending on the height of pipe above the roof, a Roof Brace Kit may be required. See page 14.

Size	Product No.	Part No.	Description	Pack
6"	206621	6T-PCK	Pitched Ceiling Support Kit	1
8"	208621	8T-PCK	Pitched Ceiling Support Kit	1

**Contents:**  
 Round Top  
 Storm Collar  
 Finishing Collar  
 Roof Support Pkg.  
 Adj. Pitched Ceiling Plate  
 Smoke Pipe Adapter

**CT**  
**SC**  
**FC**  
**RSP**  
**PCPAJ**  
**DSAC**

### PITCHED CEILING SUPPORT KIT (PCK)



If connecting to double wall stove pipe DSP, use the CPA Chimney Pipe Adapter in place of the DSAC. See page 26

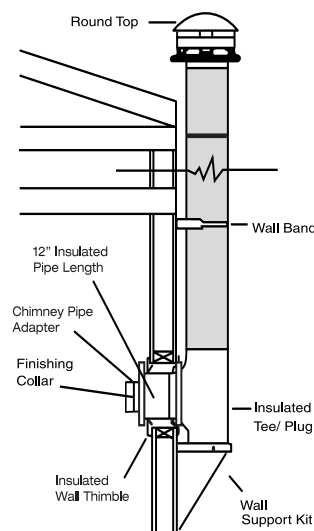
- For a wall-supported chimney system with a horizontal connector passing through an exterior wall, connecting to a Tee and running vertically up the exterior wall to termination above the roof line. The Thru-the-Wall Support Kit provides all necessary parts for a complete installation with the exception of required Insulated Pipe Lengths to reach your desired chimney height.
- One Wall Band (WB) is included in the kit. Additional Wall Bands could be required if your vertical chimney run is more than 16 feet high. In the event that your vertical chimney run penetrates the roof eave, your installation could also require an Adjustable Flashing (AF) and Storm Collar (SC).
- Depending on the height of pipe above the roof, a Roof Brace Kit may be required. See page 14.

Size	Product No.	Part No.	Description	Pack
6"	206622	6T-TWK	Thru-the-Wall Support Kit	1
8"	208622	8T-TWK	Thru-the-Wall Support Kit	1

**Contents:**  
 Round Top  
 12" Insulated Pipe Length  
 Wall Band  
 Insulated Tee/Plug  
 Finishing Collar  
 Wall Support Kit  
 Chimney Pipe Adapter  
 Insulated Wall Thimble

**CT**  
**T-12**  
**WB**  
**IT**  
**FC**  
**WSK**  
**CPA**  
**IWT**

### THRU-THE-WALL SUPPORT KIT (TWK)



**USE DSP STOVE PIPE FOR OPTIMUM SYSTEM PERFORMANCE**

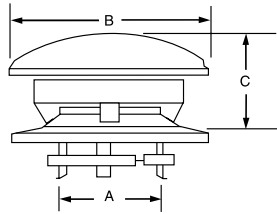
## Rain Caps/Storm Collar

### ROUND TOP

#### ULTRA-TEMP Type HT



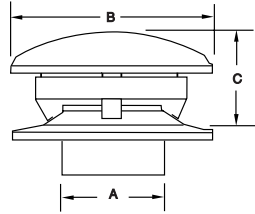
5" - 8"



#### ULTRA-TEMP

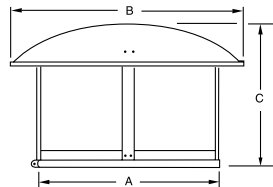


10" - 14"

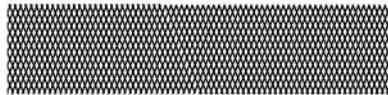


4"

#### Model EZCT/S



### SPARK ARRESTORS



5", 10" - 14"

### UNIVERSAL SPARK ARRESTORS



6" - 8"

- Part of the chimney system roof assembly, the Round Top is designed with a dome to exclude rain and leaves and a lower skirt to deflect wind for proper chimney draft.
- In the Type HT Chimney (5", 6", 7" and 8" sizes), the Round Top is designed with three legs that slide down over the outside of the chimney. A cinch band is then positioned over the legs and tightened to hold the top firmly in place. This design makes cap removal for cleaning a breeze.
- In the ULTRA-TEMP and GALVA-TEMP chimney (10", 12" and 14" sizes), the Round Top is designed with a squeeze collar that fits inside the chimney pipe. The squeeze collar expands as a set screw is tightened to hold the top firmly in place.
- The 4" Round Top twist-locks onto the top section of chimney.

Size	A	B	C	Product No.	Part No.	Pack
4"	4"	11"	7-1/2"	HT4RC	N/A	1
5"	7"	10"	5"	205800	5T-CT	1
6"	8"	12"	5-1/2"	206800	6T-CT	1
7"	9"	14"	6-1/4"	207800	7T-CT	1
8"	10"	16"	7"	208800	8T-CT	1
10"	10"	20"	8-1/2"	210800	10S-CT	1
12"	12"	24"	10"	212800	12S-CT	1
14"	14"	28"	11-1/2"	214800	14S-CT	1

- The EZCT is a smaller profile version of CT but with no wind band or lower skirt.
- Includes spark arrester screen.

Size	A	B	C	Product No.	Part No.	Pack
10"	12"	16"	10"	210804	10S-EZCTS	1
12"	14"	20"	12"	212804	12S-EZCTS	1
14"	16"	20"	12"	214804	14S-EZCTS	1

- The Spark Arrester is a diamond mesh stainless steel screen that can be field installed on our CT round tops.

Size	Product No.	Part No.	Pack
5"	205790	5T-SA	1
10"	210790	10T-SA	1
12"	212790	12T-SA	1
14"	214790	14T-SA	1

- The Universal Spark Arrester comes preformed for easier installation.

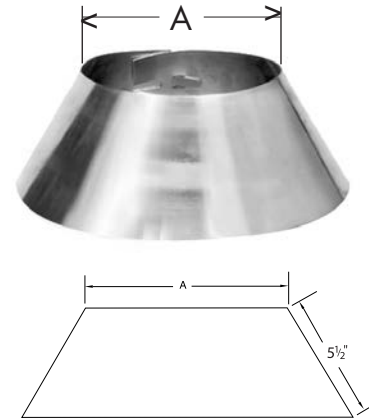
Size	Product No.	Part No.	Pack
6"	206791	6T-USA	1
7"	207791	7T-USA	1
8"	208791	8T-USA	1

## Rain Caps/Storm Collar *continued*

- The Storm Collar is designed to fit on the round chimney pipe just above the roof flashing.
- The upper edge of the Storm Collar should be waterproofed with non-hardening silicone caulking to prevent any water from leaking between the Storm Collar and chimney pipe.
- Part is tightened with screws or tabs after positioning.

Size	A	Product No.	Part No.	Pack
4"	6"	HT4SC	N/A	
5" & 6"	7" & 8"	206810	5/6T-SC	6
7" & 8"	9" & 10"	208810	7/8T-SC	6
10"	12"	210810	10S-SC	1
12"	14"	212810	12S-SC	1
14"	16"	214810	14S-SC	1

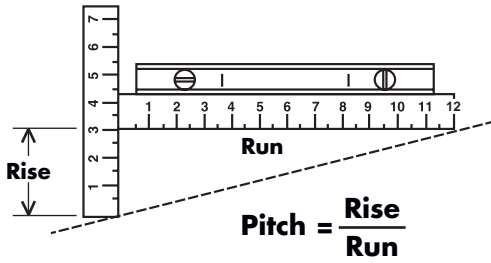
### STORM COLLAR



**Note:** 4" Storm Collar not exactly as shown.

## Flashings

### ROOF FLASHING SELECTION CHART

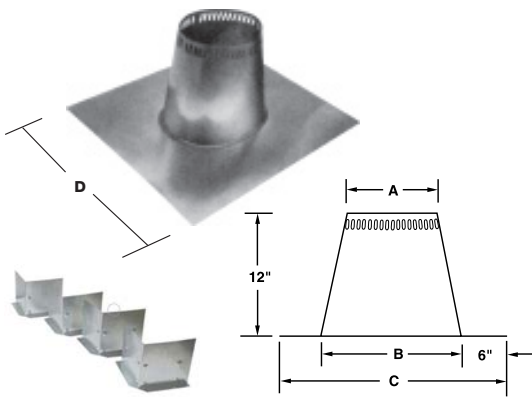


Flashings are used to seal the opening where the chimney penetrates the roof to divert rain and snow down from the roof and away from the chimney system.

A series of adjustable flashings are available depending on your roof pitch. A flat and low pitch flashing is used to seal flat and low pitch roof (up to 2/12 pitch) openings.

To determine your roof pitch, measure the number of inches from the end of a level 12" ruler down to the roof. This is the rise for 12 inches of run. A rise of 5 inches is a 5/12 pitch. . .4 inches, a 4/12 pitch, etc.

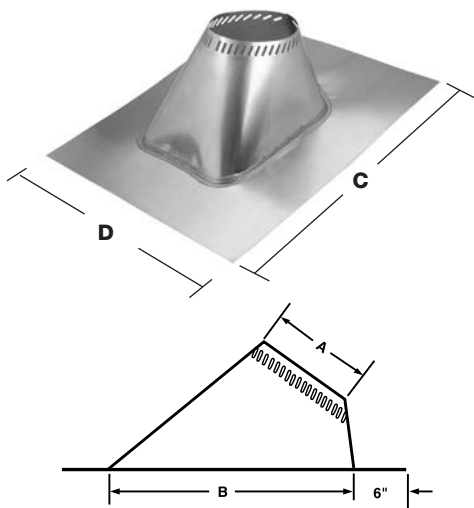
### FLAT AND LOW PITCH FLASHING (0 TO 2/12 PITCH)



**Note:** \*All TF flashings come with a roof shield set.  
\*4" TCF not exactly as shown.

Size	A	B	C	D	Product No.	Part No.	Pack
4"	6-1/8"	N/A	18"	18"	HT4TCF	N/A	1
6"	8-1/8"	12"	24-3/4"	21"	206815	6TF	1
7"	9-1/8"	15-3/4"	27-3/4"	24"	207815	7TF	1
8"	10-1/8"	15-3/4"	27-3/4"	24"	208815	8TF	1
10"	12-1/8"	17-3/4"	29-3/4"	29-3/4"	210815	10S-TF	1
12"	14-1/8"	20"	32"	32"	212815	12S-TF	1
14"	16-1/8"	22-1/4"	34-1/4"	34-1/4"	214815	14S-TF	1

### ADJUSTABLE FLASHING SAFETY VENTS ON ALL FLASHINGS



**Note:** \*For 5 inch chimney use 6 inch Selkirk® Flashing with 5/6 inch storm collar. All Flashings have .025 Aluminum Bases.  
\*4" ARF and SRF not exactly as shown.

#### 2/12 To 6/12 Pitch

Size	A	B	C	D	Product No.	Part No.	Pack
4"	6-1/4"	N/A	20"	20"	HT4ARF	N/A	1
6"	8-1/8"	16-1/2"	28-1/2"	24"	206825	6TAF-6	1
7"	9-1/8"	16-1/2"	28-1/2"	24"	207825	7TAF-6	1
8"	10-1/8"	19-7/8"	31-7/8"	27"	208825	8TAF-6	1
10"	12-1/8"	19-7/8"	31-7/8"	37"	210825	10SAF-6	1
12"	14-1/8"	19-7/8"	36-7/8"	36"	212825	12SAF-6	1
14"	16-1/8"	19-7/8"	36-7/8"	36"	214825	14SAF-6	1

#### 6/12 To 12/12 Pitch

Size	A	B	C	D	Product No.	Part No.	Pack
4"	6-1/4"	N/A	22"	22"	HT4SRF	N/A	1
6"	8-1/8"	19-7/8"	31-7/8"	27"	206830	6TAF-12	1
7"	9-1/8"	19-7/8"	31-7/8"	27"	207830	7TAF-12	1
8"	10-1/8"	19-7/8"	31-7/8"	27"	208830	8TAF-12	1
10"	12-1/8"	25-1/2"	31-1/2"	36"	210830	10SAF-12	1
12"	14-1/8"	28-1/2"	40-1/2"	36"	212830	12SAF-12	1
14"	16-1/8"	31-1/2"	43-1/2"	36"	214830	14SAF-12	1

## Flashings continued

### 12/12 To 24/12 Pitch

Size	A	B	C	D	Product No.	Part No.	Pack
6"	8-1/8"	28-3/4"	40-3/4"	24"	206835	6TAF-24	1
7"	9-1/8"	31-1/4"	43-1/2"	24"	207835	7TAF-24	1
8"	10-1/8"	33-3/8"	45-3/8"	24"	208835	8TAF-24	1

### 24/12 To 36/12 Pitch

Size	A	B	C	D	Product No.	Part No.	Pack
6"	8-1/8"	41-1/4"	53-1/4"	24"	206840	6TAF-36	1
7"	9-1/8"	44-1/8"	56-1/2"	24"	207840	7TAF-36	1
8"	10-1/8"	47-3/4"	59-3/4"	24"	208840	8TAF-36	1

Size	A	B	C	D	Product No.	Part No.	Pack
6"	8-1/8"	16-1/2"	30"	33"	206845	6TAF6D	1
7"	9-1/8"	16-1/2"	30"	33"	207845	7TAF6D	1
8"	10-1/8"	19-7/8"	30"	33"	208845	8TAF6D	1

**Note:** Dead Soft Aluminum base is designed to be molded to uneven roof surfaces.

### Dead Soft Flashing for 6/12 to 12/12

Size	Product No.	Part No.	Pack
6"	206850	6T-AF12D	1
7"	207850	7T-AF12D	1
8"	208850	8T-AF12D	1

Product No.	Part No.	Description	Pack
200275	URBAK	for 5"-8" diameter chimney	1

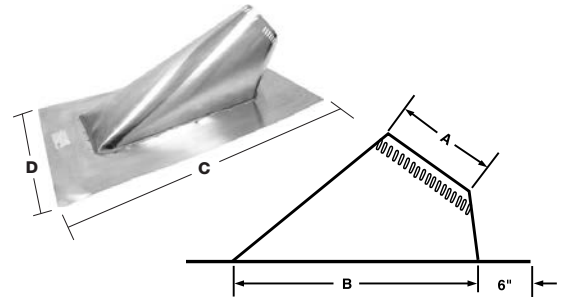
**Note:** Used for installations on corrugated roofs flat to 12/12 (10/12 for 8") pitch. Kit includes rubber boot (23-4/5" x 21-1/2"), spacers kit, special storm collar, shield, and mounting screws.

- Kit consists of sealer tape and 2 sheet metal strips which can be field shaped to match the roof profile
- Use in conjunction with a standard Selkirk Flashing to seal the opening when penetrating a corrugated metal roof
- Flashing sold separately, see pages 22 - 23

Product No.	Part No.	Pack
200280	URFK	1

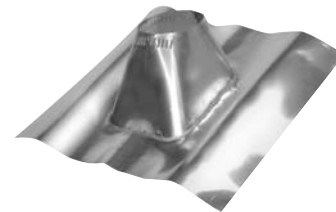
**Note:** Used in conjunction with a standard Selkirk Flashing to seal the opening when penetrating a corrugated metal roof. **Flashing sold separately.**

### ADJUSTABLE FLASHING CONTINUED SAFETY VENTS ON ALL FLASHINGS



**Note:** For 5 inch chimney use 6 inch Selkirk® Flashing with 5/6 inch storm collar. All Flashings have .025 Aluminum Bases.

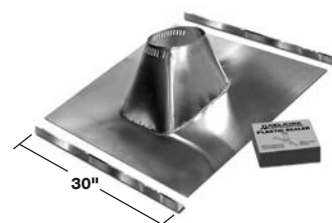
### DEAD SOFT FLASHING 2/12 TO 6/12 PITCH



### UNIVERSAL RUBBER BOOT FLASHING KIT FITS UP TO 12/12 PITCH



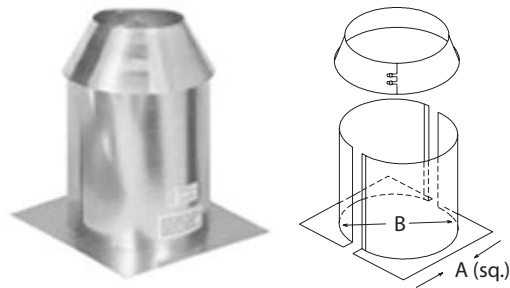
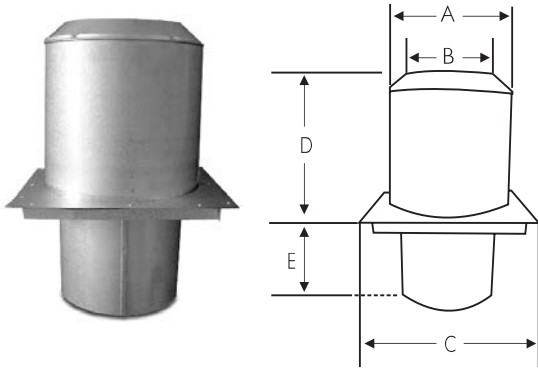
### UNIVERSAL METAL FLASHING KIT





## Shields

### ATTIC INSULATION SHIELD



**Note:** \*Add SUSI to this part for increased performance and safety. (See pg 25)  
 \*4" Attic Insulation Shield (not exactly as shown) is used together with the Firestop Joist Shield or Ceiling Support.

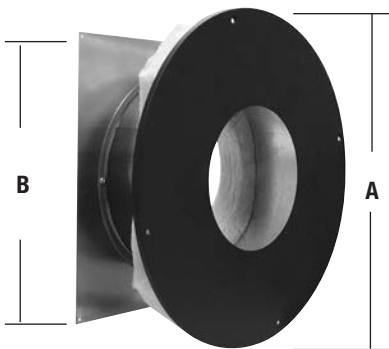
The Attic Insulation Shield is used wherever the chimney enters an open attic. A drop-down Joist Shield is included for use when the chimney is enclosed below the ceiling. Refer to instructions for full details. The Attic Insulation Shield acts as an insulation shield to keep blown in or blanket insulation from filling in any framed opening or contacting the chimney.

Size	A	B	C	D	E	Product No.	Part No.	Pack
4"	10"	6"	N/A	12"	N/A	HT4AIS	N/A	1
5"	11"	7"	13"	11-13/16"	8-1/2"	205490	5T-AIS	1
6"	12"	8"	14"	11-13/16"	8-1/2"	206490	6T-AIS	1
7"	13"	9"	15"	11-13/16"	8-1/2"	207490	7T-AIS	1
8"	14"	10"	16"	11-13/16"	8-1/2"	208490	8T-AIS	1
10"	16"	12"	18"	14"	8-1/2"	210490	10S-AIS	1
12"	18"	14"	20"	14"	8-1/2"	212490	12S-AIS	1
14"	20"	16"	22"	14"	8-1/2"	214490	14S-AIS	1

- 2-piece design with Storm Collar
- The RAIS is used for retro-fit installations.
- Easy to install on existing applications without dismantling chimney.

Size	A	B	Product No.	Part No.	Pack
5"	16" x 16"	11"	205491	5T-RAIS	1
6"	16" x 16"	12"	206491	6T-RAIS	1
7"	16" x 16"	13"	207491	7T-RAIS	1
8"	16" x 16"	14"	208491	8T-RAIS	1
10"	18" x 18"	16"	210491	10T-RAIS	1

### INSULATED WALL THIMBLE



**Note:** \*12" and 14" are uninsulated.  
 \*Add SUSI to this part for increased performance and safety.  
 \*4" WRS not exactly as shown.

- The Insulated Wall Thimble installs quickly and eliminates the need for using individual firestops. The round shielding acts as a radiation shield and provides the required 2" (air space) clearance to combustibles.
- The two sections telescope to accommodate 6" to 11" wall thickness.
- Interior wall plate painted black.

Size	Opening Required	Product No.	Part No.	Pack
4"	10-1/8" x 10-1/8"	HT4WRS	N/A	1
5"	11-1/8" x 11-1/8"	205463	5T-IWT	1
6"	12-1/8" x 12-1/8"	206463	6T-IWT	1
7"	13-1/8" x 13-1/8"	207463	7T-IWT	1
8"	14-1/8" x 14-1/8"	208463	8T-IWT	1
10"	16-1/8" x 16-1/8"	210463	10S-IWT	1
12"	18-1/8" x 18-1/8"	212463	12S-IWT	1
14"	20-1/8" x 20-1/8"	214463	14S-IWT	1



## Shields continued

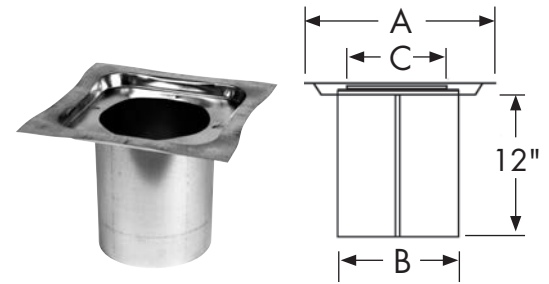
- Used in floor/ceiling penetrations other than those which include a ceiling support.
- Not required when passing through roof.

Size	A	B	C	Product No.	Part No.	Pack
4"	12"	8"	6-1/8"	HT4FRS	N/A	1
5"	13"	9"	7-1/8"	205465	5T-JS	1
6"	14"	10"	8-1/8"	206465	6T-JS	1
7"	15"	11"	9-1/8"	207465	7T-JS	1
8"	16"	12"	10-1/8"	208465	8T-JS	1
10"	18"	14"	12-1/8"	210465	10S-JS	1
12"	20"	16"	14-1/8"	212465	12S-JS	1
14"	22"	18"	16-1/8"	214465	14S-JS	1

- Optional insulation for use with the Support Box, Attic Insulation Shield and Insulated Wall Thimble.
- The SUSI protects building materials against radiant heat from the chimney and helps maintain temperatures within the chimney system.
- The SUSI also reduces air infiltration into the dwelling.
- The only insulation approved for use with the Selkirk Chimney System.

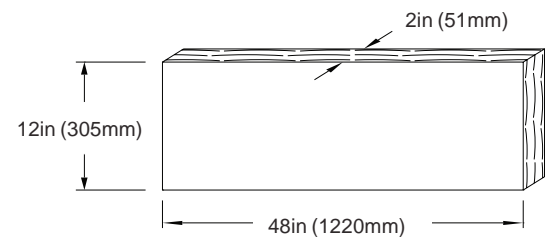
Product No.	Part No.	Pack
200001	SUSI	1

### FIRESTOP JOIST SHIELD (RADIATION DUST SHIELD)



**Note:** 4" Firestop Radiation Shield  
(not exactly as shown)

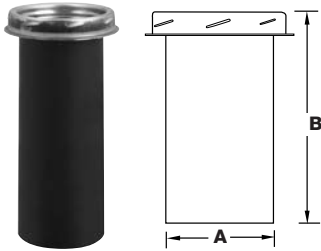
### SUSI (SELKIRK UNIVERSAL SHIELDING INSULATION)



**Dripless Stove Pipe Adapters**

Dripless Stove Pipe Adapters are used to connect single wall stove pipe to Ultra-Temp or Galva-Temp Systems. Dripless Stove Pipe Adapters are designed to slip inside single wall stove pipe to contain any creosote dripping down the chimney to inside the stove pipe. There are two Dripless Stove Pipe Adapters:

**DRIPLESS STOVE PIPE ADAPTER WITH COUPLER (DSAC)**

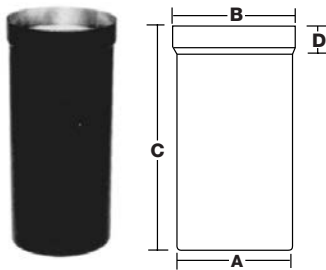


For use in new installations, this part can be installed by twist-locking the coupler on the DSAC into the first section of Ultra-Temp or Galva-Temp Type HT chimney pipe.

Size	A	B	Product Code	Part No.	Pack
6"	5-15/16"	15-3/4"	206240	6T-DSAC	1
7"	6-15/16"	15-3/4"	207240	7T-DSAC	1
8"	7-15/16"	15-3/4"	208240	8T-DSAC	1

**Note:** DSAC is 430 Stainless Steel.

**DRIPLESS STOVE PIPE ADAPTER (DSA)**

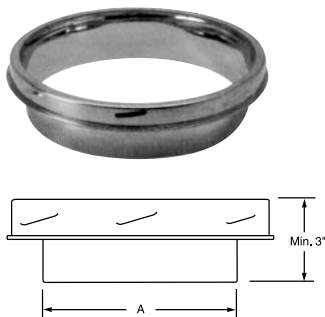


For use in retrofit installations, this part can be installed from below a Finish Support Package or Support Box and secured with screws.

Size	A	B	C	D	Product Code	Part No.	Pack
6"	5-15/16"	6-7/32"	15-3/4"	1-5/8"	206242	6T-DSA	1
7"	6-15/16"	7-7/32"	15-3/4"	1-5/8"	207242	7T-DSA	1
8"	7-15/16"	8-7/32"	15-3/4"	1-5/8"	208242	8T-DSA	1

**Note:** DSA is 304 Stainless Steel.

**CHIMNEY PIPE ADAPTER**



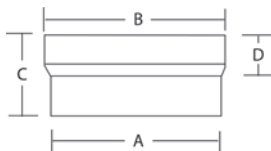
The Chimney Pipe Adapter is used to connect Ultra-Temp or Galva-Temp to either Double Wall or Single Wall Stove Pipe. The 6", 7" and 8" CPAs provide proper connection to Model DSP - Selkirk's Double Wall, Close Clearance Connector Pipe.

Size	A	Product Code	Part No.	Pack
4"	3-15/16"	HT4PA	N/A	1
5"	4-15/16"	205240	5T-CPA	1
6"	5-15/16"	256240*	6T/DSP-CPA	1
7"	6-15/16"	257240*	7T/DSP-CPA	1
8"	7-15/16"	258240*	8T/DSP-CPA	1
10"	9-15/16"	210240	10S-CPA	1
12"	11-15/16"	212240	12S-CPA	1
14"	13-15/16"	214240	14S-CPA	1

**Note:** \*Refers to DSP Double Wall Stove Pipe. Finishing Band sold separately (DSP-FB).  
-4" PA not exactly as shown.

- For use in retrofit installations when using Double Wall Stove Pipe
- The \*DS-AA can be installed from below a Finish Support Package or Support Box
- Secure with screws

**DS-AA**



Size	A	B	C	D	Product Code	Part No.	Pack
6"	5-15/16"	6-7/32"	15-3/4"	3.25"	256245	6DS-AA	1
8"	7-15/16"	8-7/32"	15-3/4"	3.25"	258245	8DS-AA	1

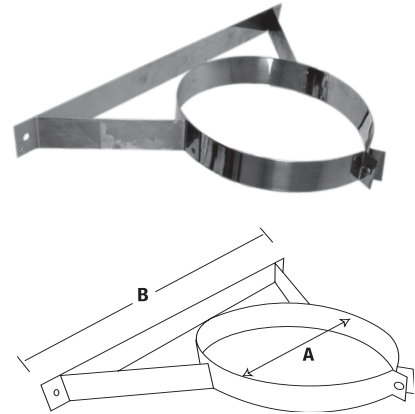
**Note:** DS-AA is 430 stainless steel.

## Accessories

- The Wall Band is used along the wall to provide for 2 inch clearance and assure stability.
- Required at 8 foot or closer intervals above the tee to stabilize the chimney.
- Stainless steel construction.

Size	A	B	Product Code	Part No.	Pack
4"	6"	14"	HT4WB	N/A	4
5"	7"	17"	205520	5T-WB	4
6"	8"	17"	206520	6T-WB	4
7"	9"	17"	207520	7T-WB	4
8"	10"	17"	208520	8T-WB	4
10"	12"	17"	210520	10S-WB	1
12"	14"	18"	212520	12S-WB	1
14"	16"	20"	214520	14S-WB	1

### WALL BAND



**Note:** 4" WB not exactly as shown.

- The Universal Adjustable Wall Band is used along the wall to provide for 2 inch clearance and assure stability.
- Required at 8 foot or closer intervals above the tee to stabilize the chimney.
- Fits chimney diameters from 5" to 8".

Size	Product Code	Part No.	Pack
5", 6", 7", 8"	200270	UWB	1

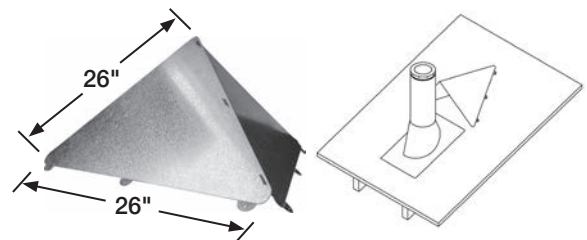
### UNIVERSAL ADJUSTABLE WALL BAND



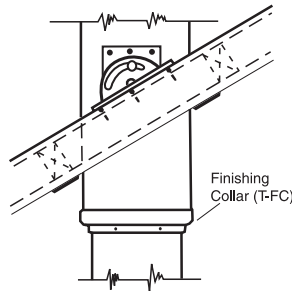
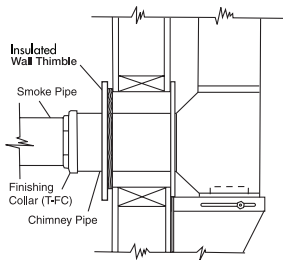
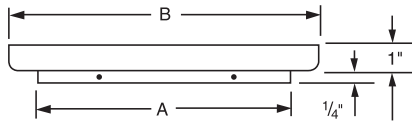
- Designed to deflect snow and ice while preventing unnecessary strain or damage to the chimney.
- Mounts directly above the chimney pipe with an easy panel assembly.
- Made from durable, heavy gauge galvanized steel.

Size	Product Code	Part No.	Pack
4" to 8"	2001922	USSA	1

### SNOW SPLITTER



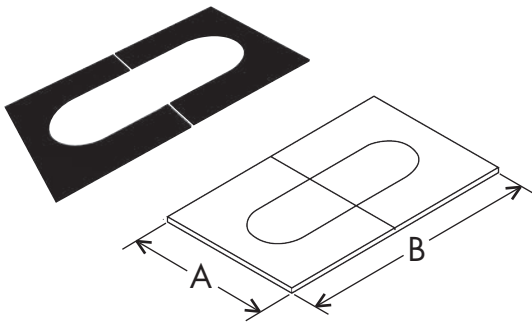
**FINISHING COLLAR**



- The Finishing Collar fits over lower end of suspended insulated chimney pipe to provide finished appearance.
- Used to attach T-DSAC or T-CPA Pipe Adapters to lower end of suspended chimney or end of chimney connected to an Insulated Tee.
- Black Matte Finish.

Size	A	B	Product Code	Part No.	Pack
6"	6-1/4"	8"	206480	6T-FC	1
7"	7-1/2"	9"	207480	7T-FC	1
8"	8-1/2"	10"	208480	8T-FC	1

**ADJUSTABLE PITCHED CEILING PLATE**



- The Pitched Ceiling Plate provides a finished appearance where the chimney passes through a sloped ceiling.
- Matte black finish.
- Adjusts to multiple ceiling pitches.
- Covers 2" air space around chimney for attractive finish.

**2/12 - 6/12 Pitch**

Size	A	B	Product Code	Part No.	Pack
5"	15-1/2"	18 - 29"	205512	5T-PCPAJ	1
6"	16-1/2"	19 - 30"	206512	6T-PCPAJ	1
7"	17-1/2"	20 - 31"	207512	7T-PCPAJ	1
8"	18-1/2"	21 - 33"	208512	8T-PCPAJ	1
10"	20-1/2"	23 - 37"	210512	10S-PCPAJ	1
12"	22-1/2"	25 - 41"	212512	12S-PCPAJ	1
14"	24-1/2"	27 - 45"	214512	14S-PCPAJ	1

**6/12 - 12/12 PITCH**

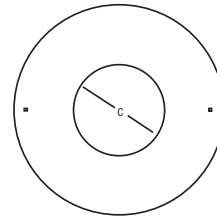
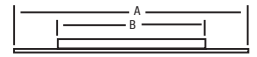
Size	A	B	Product Code	Part No.	Pack
6"	16-1/2"	19 - 30"	206514	6T-PCPAJ12	1
7"	17-1/2"	20 - 31"	207514	7T-PCPAJ12	1
8"	18-1/2"	21 - 33"	208514	8T-PCPAJ12	1
10"	20-1/2"	23 - 37"	210514	10S-PCPAJ12	1
12"	22-1/2"	25 - 41"	212514	12S-PCPAJ12	1
14"	24-1/2"	27 - 45"	214514	14S-PCPAJ12	1

## Accessories continued

- Used to trim the ceiling, closing off the airspace around the pipe when the chimney is supported from above & extended down into the room.
- Used to trim the wall when chimney passes through a non-combustible wall.
- Used in conjunction with the Firestop/Joist Shield.
- Black Matte Finish.

Size	A	B	C	Product Code	Part No.	Pack
5"	17"	11"	7-1/8"	205488	5T-TPS	1
6"	19"	12"	8-1/8"	206488	6T-TPS	1
7"	21"	13"	9-1/8"	207488	7T-TPS	1
8"	22"	14"	10-1/8"	208488	8T-TPS	1

### TRIM PLATE SPACER







# ULTRA-TEMP®

For training, detailed product information, downloadable catalogs and installation instructions visit our website:

[selkirkcorp.com](http://selkirkcorp.com)



**Selkirk USA**

4460 44th Street SE, Suite F  
Grand Rapids, MI 49512

phone: 1.800.992.VENT (8368)  
email: [info@selkirkcorp.com](mailto:info@selkirkcorp.com)

[selkirkcorp.ca](http://selkirkcorp.ca)



**Selkirk Canada**

P.O. Box 526, Depot 1,  
Hamilton, ON, L8L 7X6

phone: 1.888.SELKIRK (735.5475)  
email: [cscanada@selkirkcorp.com](mailto:cscanada@selkirkcorp.com)

## Complete Linecard



residential chimney



roof curbs & equipment rails



access doors



rooftop products\*



residential vent



filters\*



duct components



grilles, registers, diffusers



commercial industrial vent