



## Installation Instructions for BOLT DOWN PEDESTAL.

This BOLT DOWN PEDESTAL assembly MUST be bolted down securely in all instances.

The assembly can be fixed either on a Concrete Base or a Wooden Deck Base.

The installation MUST comply with all local codes and the Gas line / Connections should be carried out by an experienced Gas Installer.

Read these instructions fully and identify the parts before proceeding further.

**Wooden Deck Installation.** To ensure a safe installation, the minimum deck thickness should be 1 ½” lumber. Ensure the deck area is clear and level. Using the “BOLT DOWN BASE PLATE” as a template mark and drill 4 x ½” Dia. Holes through the decking.

Place the “BOLT DOWN BASE PLATE” over the hole locations.

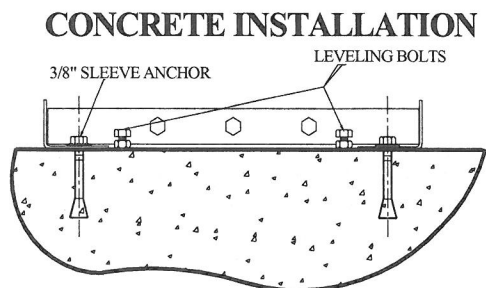
Bolt down the “BOLT DOWN BASE PLATE” using 3/8” Dia. Threaded rod, nuts & washers as shown in Drawing # 2. (Parts not supplied). Tighten securely.

**Concrete Deck Installation.** Ensure the deck area is clear and level.

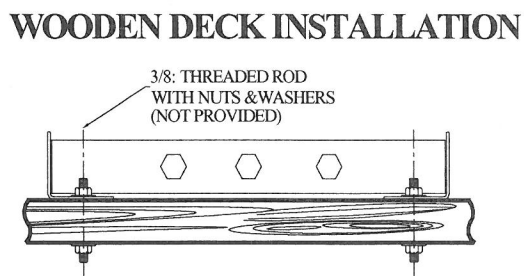
Using the “BOLT DOWN BASE PLATE” as a template mark and drill 4 x 1/2” Dia. X 2” deep Holes into the Concrete Deck. Insert the four (4) Anchor Bolts into the predrilled holes in the Concrete Deck.

Place the “BOLT DOWN BASE PLATE” over the Anchor Bolts.

Fit one (1) flat washer, one (1) split washer onto each Anchor Bolt and bolt down the “BOLT DOWN BASE PLATE” as shown in Drawing # 1. (Parts supplied). Adjust the level of the Base Plate with the four (4) leveling bolts (place st/st disc below each leveling bolt) and tighten whole assembly fully.



DRAWING # 1



DRAWING # 2



## COMMON INSTALLATION INSTRUCTIONS.

- a. Position the "Pedestal Support Tube" (D) into the "Bolted Down Base" (P) with the two 1 ¼" dia holes facing to the rear of the final BBQ orientation. Ensure that the center hole in the "Bolt Down Base" (P) is aligned with the bottom hole in the "Pedestal Support Tube"
- b. Slide the 3 - 6" x 5/16" (F) fixing bolts, through the holes located in the "Bolted Down Base" put a flat washer, split washer and nut on each bolt and tighten fully.
- c. Place the "St/St Base Cover Plate" over the previously fixed down "Base Plate"
- d. Feed the Gas supply tube through the 1 ¼" bottom hole in the "Pedestal Support Tube" and out of the top 1 ¼" hole.
- e. Place the "Top Support Plate" (C) onto the "Pedestal Support Tube" (D) ensuring that the center hole in the "Top Support Plate" is aligned with the top hole in the "Pedestal Support Tube". Note that the angle brackets in the "Top Support Plate" are facing downwards.
- f. Slide the 3 - 6" x 5/16" (F) fixing bolts, through the holes located in the "Top Support Plate" put a flat washer, split washer and nut on each bolt and tighten fully. See Photo # 1
- g. Place the right hand "Side Panel" (A) onto the "Top Support Plate" and bolt into position using the bolts provided. Repeat the procedure for the left hand "Side Panel". See photo # 2
- h. Carefully Position the BBQ onto the two side panels, and then fix the BBQ flange to the side panels with the 4 screws provided. See Photo # 3 & 4
- i. Attach the Regulator to the manifold supply line coming from the BBQ. Be sure to use Pipe thread compound or Teflon tape on the threads. Carefully tighten with a wrench, being sure not to over tighten.
- j. Make sure that the regulator is set for the proper gas type as shown on Pg. 16 of the Care and Use Manual.
- k. Fit the "rear panel" (B) to the two side panels after making the necessary gas connections. Please refer to your Care and Use Manual for Gas Connection instructions.
- l. Attach the two "Side Shelves" (G) to the "Side Panels" using the Screws provided. Tighten the upper screws with the shelf in the folded down position and the lower screws with the shelf in the up position. See photo # 5 & 6
- m. Attach the Tool holders to the front of each side shelf with the screws provided.

# Solaire

INFRARED GRILLING SYSTEMS

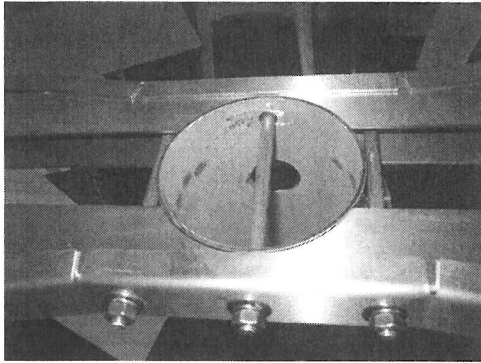


Photo # 1



Photo # 2

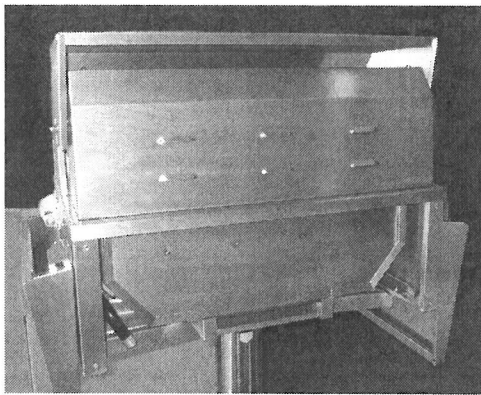


Photo # 3

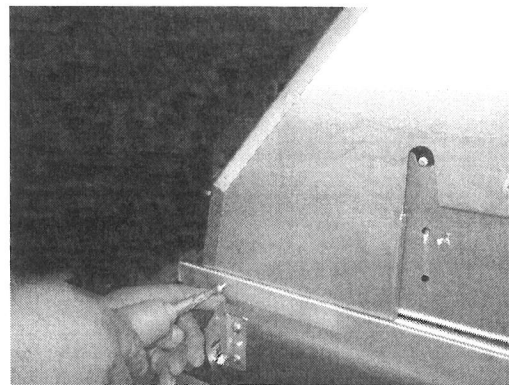


Photo # 4

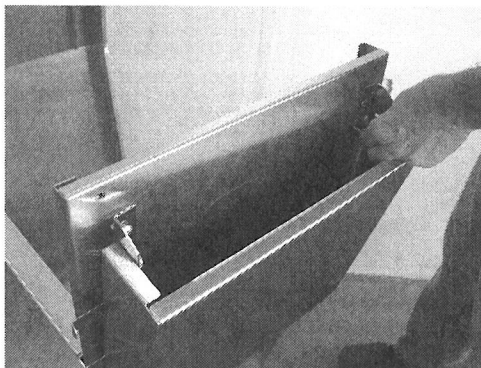


Photo # 5

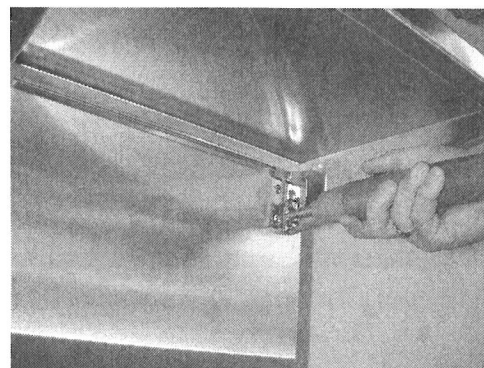
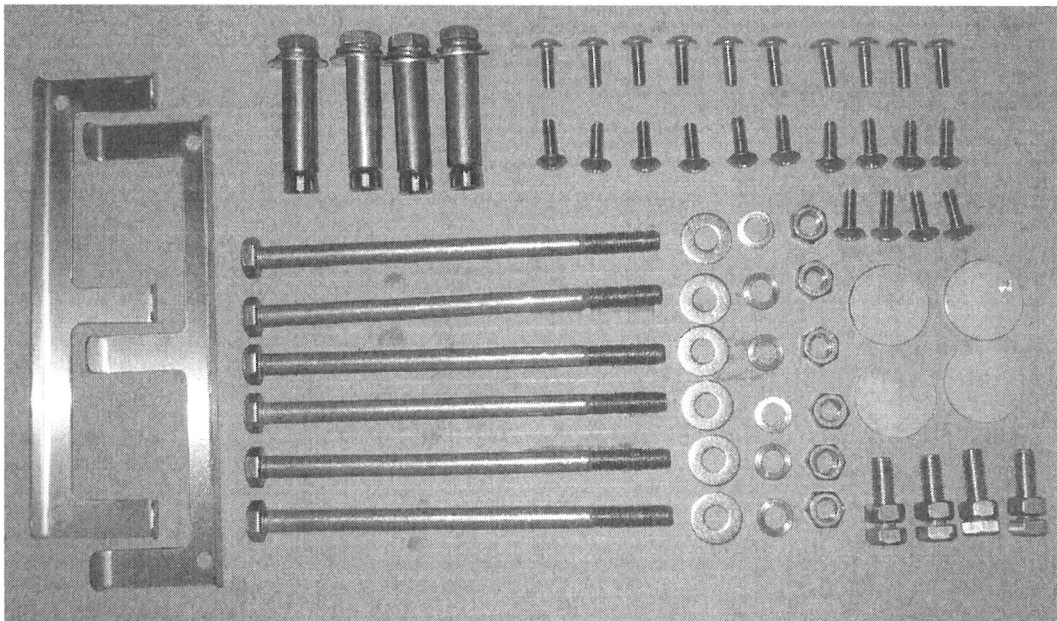


Photo # 6

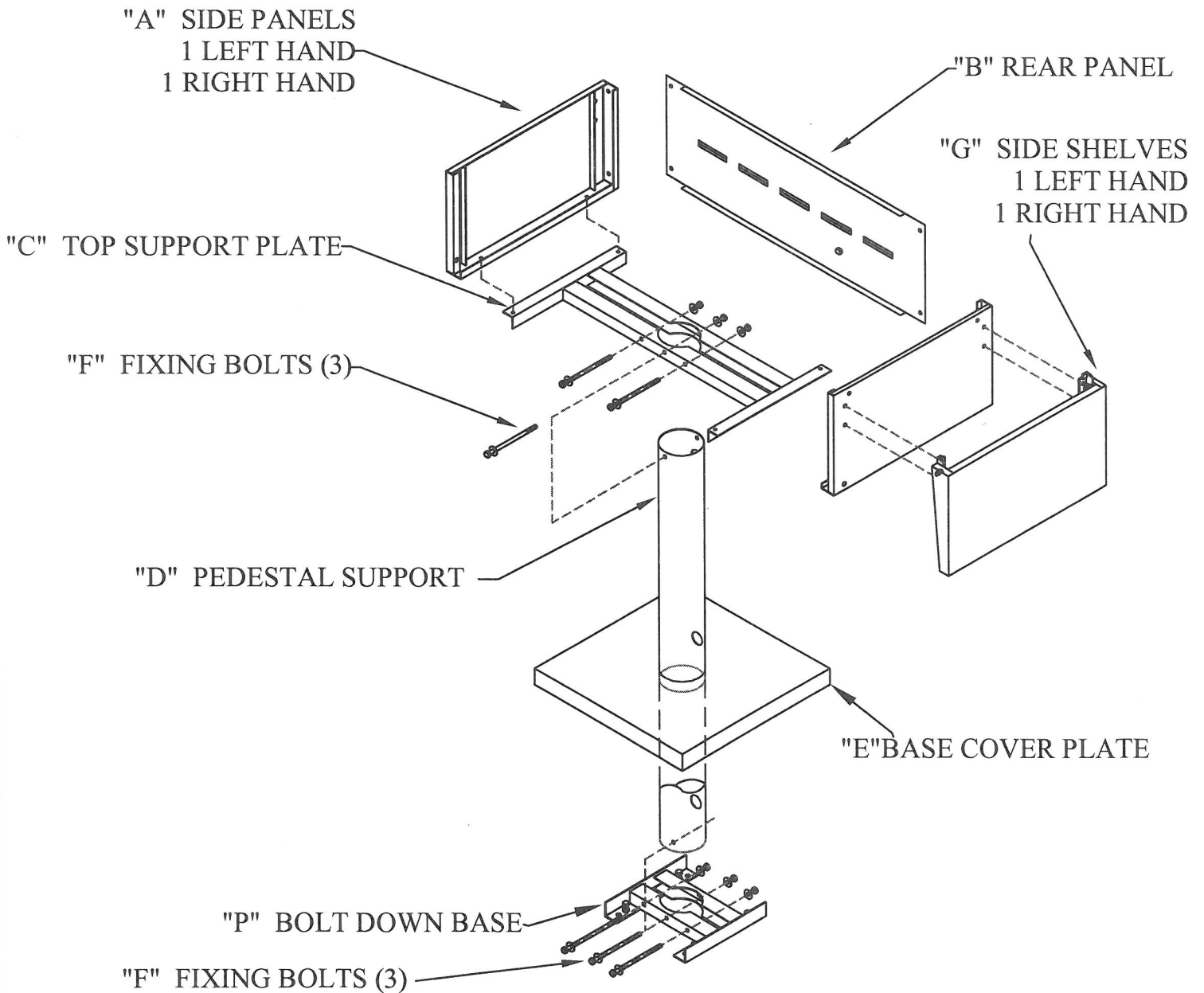


**PARTS LIST**

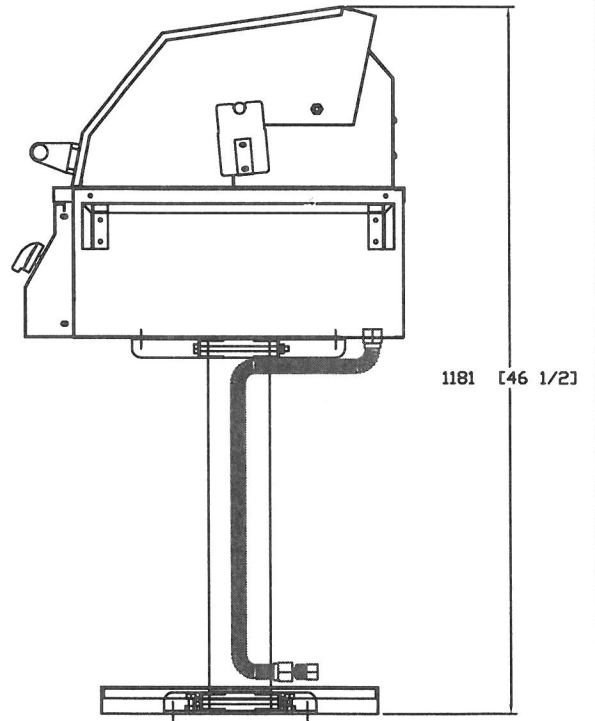
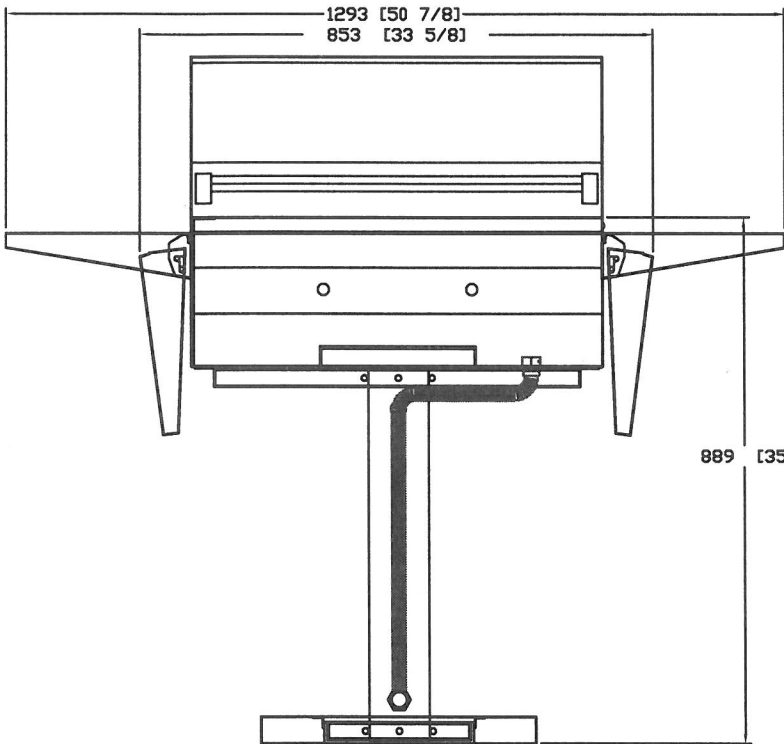
ITEM	DESCRIPTION	QTY
A	RIGHT & LEFT HAND SIDE PANEL	2
B	REAR ACCESS PANEL	1
C	TOP SUPPORT PLATE	1
D	PEDESTAL SUPPORT	1
E	BASE COVER PLATE	1
F	FIXING BOLTS, WASHERS & NUTS	6
G	RIGHT & LEFT HAND SIDE SHELVES	2
H	LEVELING BOLTS, NUTS & DISC	4
I	SIDE SHELF FIXING SCREWS	8
J	BBQ FLANGE FIXING SCREWS	4
K	TOOL HOLDERS	2
L	TOOL HOLDER FIXING SCREWS	4
M	REAR PANEL FIXING SCREWS	4
N	SIDE PANEL FIXING SCREWS	4
O	1/2" FLEXIBLE GAS SUPPLY HOSE & FITTINGS	1
P	BOLT DOWN BASE	1
R	ANCHOR BOLTS, FLAT WASHER & SPLIT WASHER	4



**Bolt down Hardware**



## **BOLT DOWN SUPPORT SYSTEM**



# BOLT DOWN SUPPORT SYSTEM