

THE GLASSFYRE®

PREMIER® & REVELATION™

GLASS FIRESCREENS

Installation Instructions

SAVE THESE INSTRUCTIONS

Read all of these instructions before installing or using your Portland Willamette firescreen.

This product is intended only for installation in a masonry fireplace constructed in accordance with the requirements of the Standard for Chimneys, Fireplaces and Vents, NFPA No. 211, or applicable local code requirements.

WARNING: This fireplace screen has not been tested with a mantel. Fireplaces with mantels must be constructed under National Fire Protection Association Publication 211, paragraph 73.3.3.

The Portland Willamette firescreen was designed for use in single-sided fireplaces. It is not recommended for use on only one side of a "see-thru" type fireplace (a fireplace with openings on opposite sides in two different rooms), as the resulting unequal draft conditions which occur may direct flames and heat directly against the firescreen. This direct heat and the flames may be sufficient to scorch your firescreen's finish and darken, or even break, the glass panels. If firescreens are used on both openings, it may be possible to equalize the drafts by adjusting the damper setting on each firescreen. The firescreen or glass is not warranted against damage when used on only one side of a "see-thru" fireplace.

IMPORTANT: Hydrochloric (muriatic) acid is often used by builders to clean excess mortar from new fireplaces. The fumes from this acid are highly corrosive and will damage the finish of your fireplace equipment unless neutralized. This corrosive action can last for many years if not neutralized. To neutralize, wash masonry with ammonia water and rinse thoroughly with clean water. Any acidic or caustic material used around your fireplace can damage the finish of your firescreen. This includes some mortars or sealants that may be used to install and seal firescreens and some paints used on fireplace faces. Portland Willamette assumes no responsibility for these damages.

Premier and Revelation Firescreen Identification Number

For any correspondence regarding your firescreen, please include the seven-digit number which is engraved inside the right door, behind the door handle. The 3-digit and 4-digit numbers located on other screen parts are used only during manufacturing

Firescreen Installation.

Tools required for easiest installation:

- | | |
|----------------------|-----------------|
| Blade screwdriver | Gloves |
| Phillips screwdriver | Scissors |
| Pliers | 3/8" wrench |
| 7/16" wrench | 3/8" nut driver |

A 5/16" masonry drill, drill motor and hammer may be required for your installation—see instructions.

1 HARDWARE MOUNTING INSTRUCTIONS — TOP OF SCREEN

Ensure that hardware installation does not interfere with mesh curtain or gate screen operation. When lintel brackets are used, bend to fit the installation if required. Do not warp the insulating flange as damage to the screen may occur. See following section on Screen installation and Adjustment.

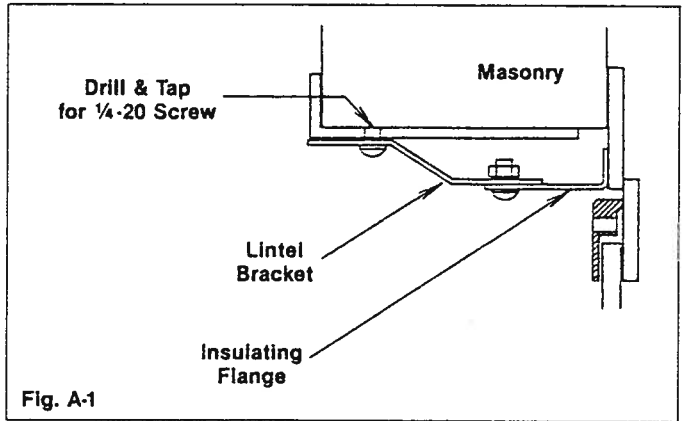


Fig. A-1

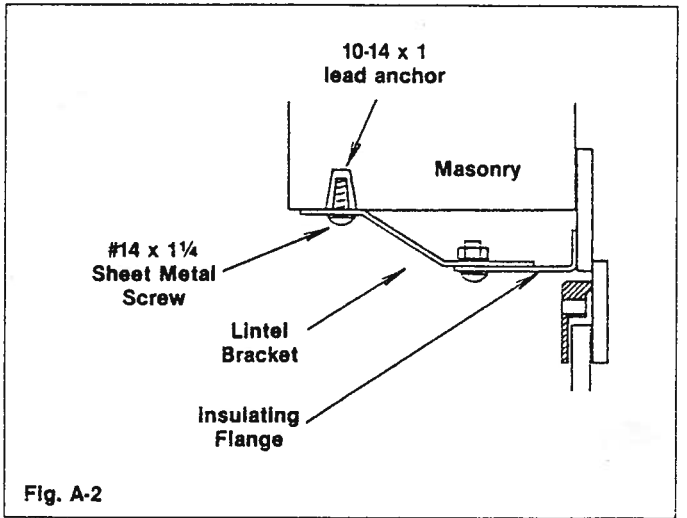


Fig. A-2

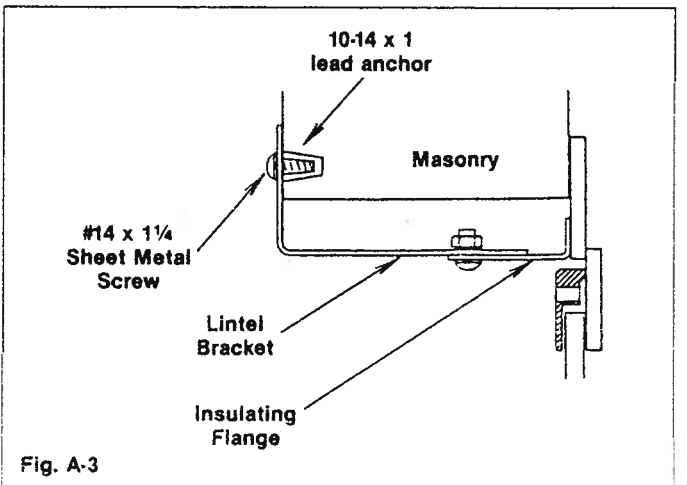
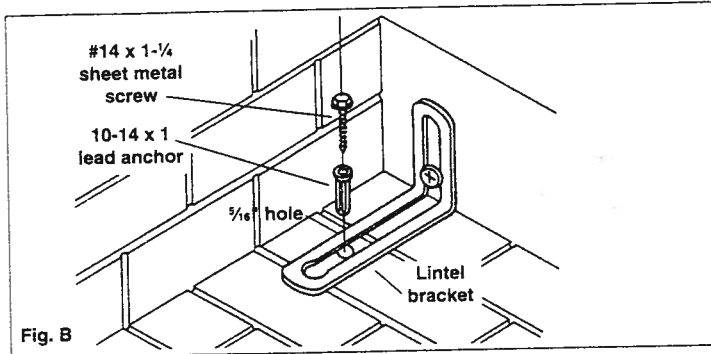


Fig. A-3

2 HARDWARE MOUNTING INSTRUCTIONS — BOTTOM OF SCREEN

After the firescreen is fastened at the top, secure the bottom per the following instructions. Refer also to following Screen Installation & Adjustment.

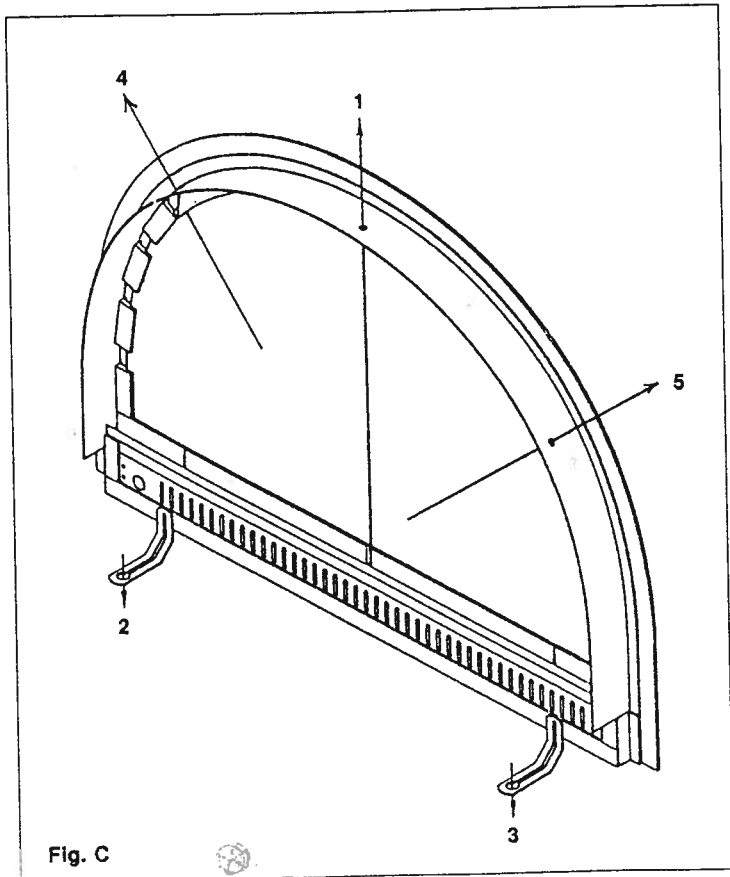
Attach the two remaining (unassembled) lintel brackets to the fire-screen at the bottom, on each side, using the two tapped holes provided in the firescreen frame and two 1/4-20 x 1/4 truss head screws, as shown in Fig. B.



Secure the bottom of the firescreen as follows:

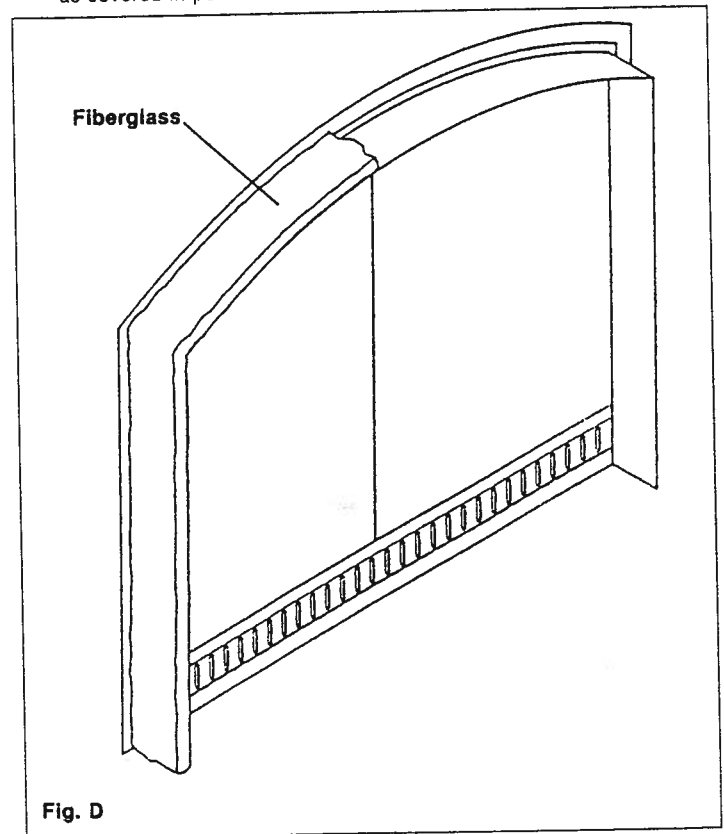
- Drill two holes, using a 5/16" masonry drill, about 2" deep into floor on each side of the fireplace. Determine suitable locations for each hole by using the two lower lintel brackets attached to the firescreen (one hole required per bracket). Mark the hole locations and move the lintel brackets out of the way before drilling the holes.
- Next gently tap a 10-14 x 1 lead anchor into each of the two holes you have drilled (one anchor in each hole) using a hammer.
- Move the lintel brackets back into position over the holes and insert a #14 x 1 1/4 screw into each hole to secure the lintel brackets.

NOTE: For fireplaces other than standard configurations or constructions, consult your dealer for information concern alternative mounting methods.



3 SCREEN INSTALLATION AND ADJUSTMENT

- Arched Screens:** Install first anchor and screw at top center of screen (Position 1) (Fig. C). Tighten screw only to point of holding screen in place. Attach brackets to bottom of screen at locations 2 and 3 and place anchors in position. Start screws, **but do not tighten.**
 - Rectangular Screens:** Install first anchors at upper right and upper left corners of screen through holes provided in insulating flange. Mounting holes will be in same relative position as locations 4 and 5 of Figure C. Tighten screws only to point of holding screen in place. Attach brackets to bottom of screen in locations 2 and 3 of Figure C and place anchors in position. Start screws, **do not tighten.**
 - Ensure sides of screen face are parallel. If they are not parallel, the doors will not close properly. Make sure there are no obstructions pressing against the back of the sides or the insulating flange. Such obstructions would push the sides out of parallel, or warp them when the screen is secured at the bottom.
 - Tighten screw at location 1 of arched screens (or locations 4 and 5 of rectangular screen) to the point of *slightly* raising the insulating flange. This adjustment will draw the doors toward the frame at the top of the screen.
- NOTE:** If either door pulls out from the top of the screen and does not line up with the other, adjust by pulling out the frame very slightly at the bottom left or bottom right of screen until doors line up.
- Tighten screws at location 2 and 3. Recheck to ensure proper door fit and alignment.
 - On arched screens with stationary outer glass panels, additional screws may be installed through the insulating flange close to the hinge points. These screws will assist in providing firm support at the pivot points. **DO NOT** tighten screws to the point of compressing the insulating flange as this may result in misalignment as covered in point C above.



4 FIBERGLASS INSTALLATION

Fig. D: Measure and cut, using scissors, the strip of included fiberglass insulation into pieces to fit both the side and top of the firescreen, as shown. **NOTE:** Avoid contacting the fiberglass with your bare skin as it may cause some irritation — always wear gloves when handling fiberglass.

3 7 6

WARNING: Fiberglass insulation must be installed after mounting the screen by stuffing it between the fireplace and the flange from the back.

Removal and Replacement of Doors

IMPORTANT. Before attempting to remove the glass doors from the firescreen, ensure that the fire is completely out and both the firescreen and glass doors are cooled to room temperature.

- 1** Screen should be installed on the fireplace or leaning against a stable object. If the screen is not firmly mounted, secure it so it will not tip forward when the door is opened.
- 2** Open the door fully, almost flat against the fireplace, and grasp it at the top and bottom close to the hinges. Lift door up to disengage it from the hinge pins. Set door aside to protect the finish. Repeat this sequence for the second door.
- 3** On screens with stationary outer glass panels, trim for outer panels should not be removed.
- 4** When replacing doors, both pins must be aligned for door to drop into place. To replace door, grasp it at the top and bottom close to the hinges, align both hinge pins and slide over the pins.

Replacing Glass

NOTE: The glass used in your glass doors is tempered to withstand impact and, if broken, will shatter into many small pieces which may have sharp edges or splinters. Always wear gloves when handling any broken glass.

Replace glass only with Portland Willamette supplied replacement glass. See warranty for ordering instructions.

Tools Required:

- Phillips Screwdriver
- 3/8" Nutdriver or 3/8" Wrench
- Scissors
- Gloves

NOTE: These instructions are to be used only if one glass panel is broken and no door components are damaged. Contact your dealer for a replacement door in all other cases.

Remove the cooled door from the firescreen (see REMOVAL AND INSTALLATION OF GLASS DOORS).

Clean up and remove all broken glass from the firescreen, hearth and inside the fireplace. Wear gloves while handling the broken glass to prevent cuts.

ORDERING GLASS

Replacement glass for your firescreen may be ordered through your distributor from Portland Willamette. To order you must utilize the 7-digit identification number (see Premier and Revelation Firescreen Identification Number). Please note which panel is being ordered: On two-door models simply state right hand or left hand panel. On models where stationary outer glass panels are used, identify the panel required by stating outer left, inner left, inner right or outer right. For bifold doors, identify right or left bifold and which panel is needed.

NOTE: When inspecting your screen after a panel of glass has broken, carefully check panels next to the panel that broke. All exposed edges of the glass have smoothed edges and should not be chipped. If the glass edge is chipped it should be replaced.

WARNING: Wear gloves when checking for edge condition of glass — do not run fingers over edge of glass.

At the same time glass is being checked, check trim around glass for damage. If it is damaged it can be replaced utilizing the 7-digit identification number (see Premier and Revelation Identification Number). The identification number will also inform the factory of the screen finish and glass color.

A Two-door models (two glass panels) and middle panels of four-panel models:

1. Remove doors by carefully lifting vertically off hinge pins (see Removal and Installation of Doors).
2. Lay door or door parts face down on a flat surface, such as a table, using a soft clean cloth between door and table. Ensure that no glass particles get on the protecting cloth where either surface may be damaged.
3. Loosen, do not remove, 3/8" nuts on door to be repaired and remove glass. Discard silicone rubber U-channel.

NOTE: Re-use of silicone U-channel may cause premature failure of replacement glass.

4. Fit replacement silicone U-channel over replacement glass and slide glass into position between door trim and aluminum clamping frame. Do not allow silicone U-channel to double over — this would cause clamping stress on glass and could lead to later problems.

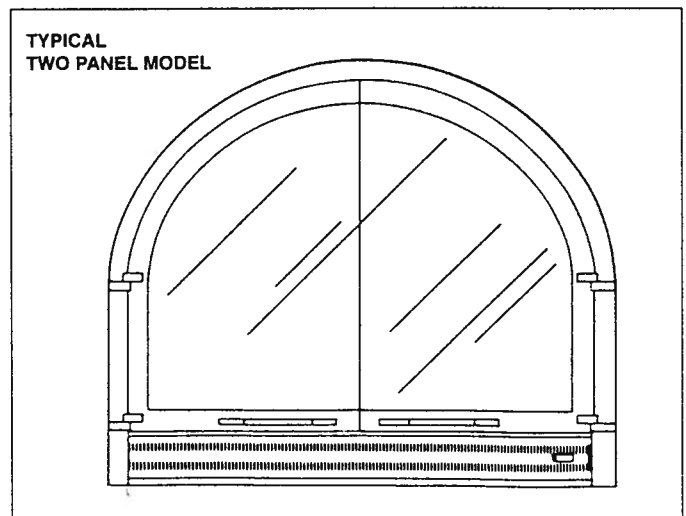
5. Finger-tighten 3/8" nuts to clamp replacement glass in door assembly. Check alignment of glass and trim to other door pieces. Check fit of door to mating door on screen using thickness of a dime to obtain proper spacing between doors. If necessary, loosen 3/8" nuts slightly to move glass and trim parts to proper position. At this time check position of door latch and make necessary adjustments in latch to make it operate correctly.

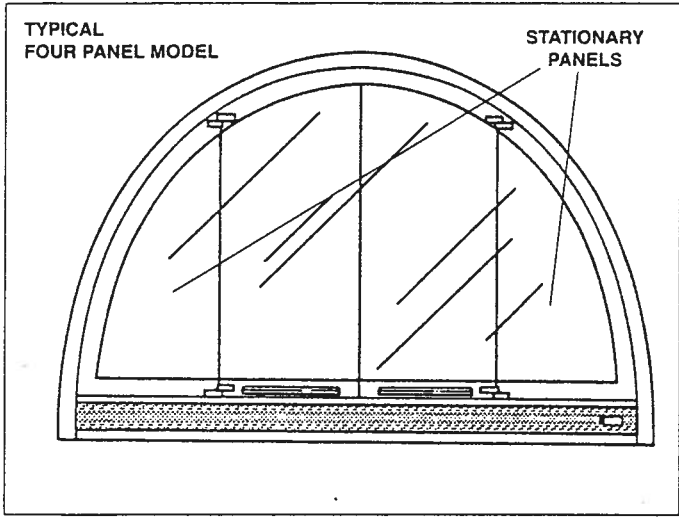
6. Tighten 3/8" nuts 1/4 turn more to clamp parts in final position.

NOTE: Overtightening of nuts may result in dimpling the trim pieces. Use extreme care not to overtighten.

Carefully trim excess silicone U-channel from door.

7. Replace door following procedure in Removal and Replacement of Doors.





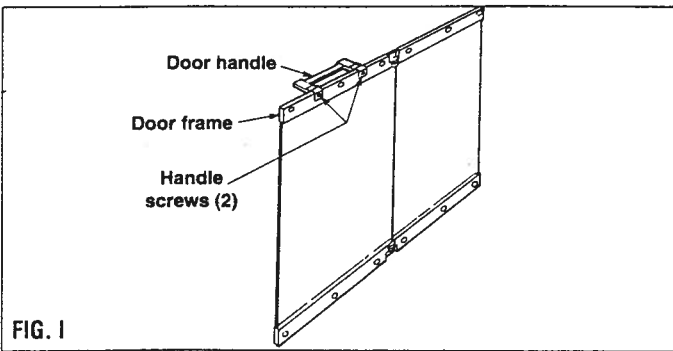
B Outside stationary panel of four-panel models

1. Remove center doors (per Removal and Replacement of Doors) and carefully set them aside so they'll not be damaged.
2. On door to be repaired, reach inside screen and loosen (do not remove) 3/8" nuts. Remove glass. Discard silicone rubber U-channel.
3. Follow steps a(1) through (7) above to replace glass and realign door parts.

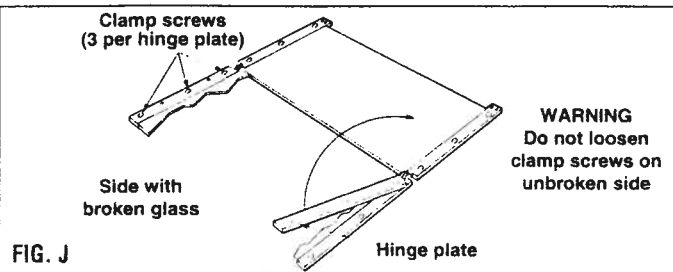
C Bi-fold Doors

Remove the cooled door from the firescreen as shown in previous REMOVAL AND INSTALLATION OF GLASS DOORS.

Lay the door face down on a flat surface, such as a table, using a soft, clean cloth between the door and the surface to protect each from damage. Ensure that no glass particles get on the protecting cloth or table where they might damage either surface.



- 1 Fig. I: Remove the two door handle screws and the door handle to allow the door to lay flat on the table. If the broken glass is on the handle side, support the frame while removing the screws to prevent damage to the hinge. Wear gloves to protect your hands from the glass particles which remain clamped in the door frame.

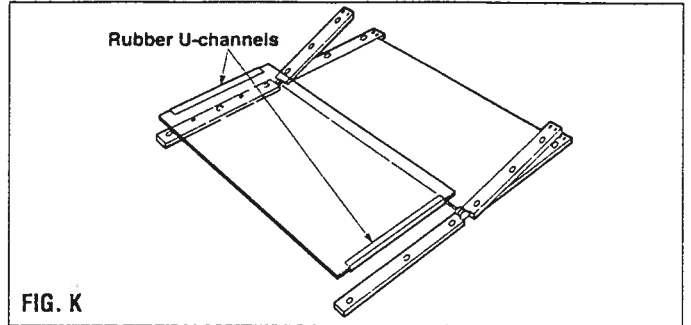


- 2 Fig. J: Remove the clamp nuts from the hinge plates that held the broken glass panel. Fold the hinge plates over on top of the intact door panel. Do not move the loose frame parts until you have identified them so that they

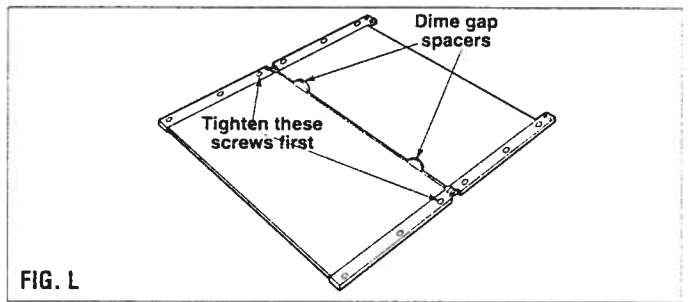
will be reassembled in the same position. Dispose of the broken glass and silicone U-channels which were released by the clamps.

Warning: Do not loosen the clamp nuts which retain the glass on the unbroken door panel. If the door alignments is lost, it will be necessary to send the door back to the factory for reassembly.

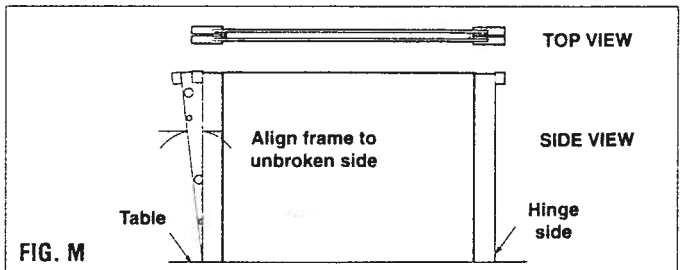
Prepare for reassembly by cleaning up any remaining glass particles from the work area. The cloth covering the work surface must be free of glass or any other particles which may scratch the finished surfaces of the door.



- 3 Fig. K: Start with the unbroken door panel face down on the clean cloth. Locate the frame parts back in their correct positions inline with the frames on the unbroken side. Install the silicone U-channels centered on the top and bottom of the glass panel. Lay the glass, with the U-channel installed, into the frames.



- 4 Fig L: Fold both hinge leaves over the top of the frames which support the new glass panel. Align the holes and screws and start all clamp nuts. Set the glass to proper glass spacing with two (2) dimes positioned as indicated. Tighten the two clamp nuts closest to the hinges. Next, just lightly snug up the other nuts. Recheck and adjust, if necessary, the spacing between the glass panels.



- 5 Fig. M: Lift the outside edges of both door panels so they meet straight up in a closed book position. Align the frames holding the new glass panel with the other frames per Fig. M. When the frames are aligned properly, fold the door back flat on the cloth. Tighten the clamp nuts and recheck the alignment.

Damper Operation

If the firescreen is equipped with a damper it can be opened or closed by turning the damper control knob (located on the front of the firescreen at the bottom) clockwise to vertical position to open; counter clockwise to horizontal position to close. Or if equipped with a hidden damper, located at the bottom center of the firescreen, move damper operator right to open, left to close.

The firescreen damper may be closed to temporarily isolate the fireplace from the rest of your home, such as when you wish to let a fire burn out. However, the flue damper in your fireplace should never be closed unless the fire is completely out and all of the coals have cooled. The flue damper should be closed, in addition to the firescreen's damper, whenever the fireplace is not in use to prevent heat loss up your chimney. **NOTE:** Always be sure to open all of the dampers before starting a fire.

In most cases, by "fine tuning" the damper setting of both the firescreen and flue dampers (not all flue dampers are adjustable), you can optimize the burning and draft conditions inside your fireplace. Doing this will help to maximize the burning efficiency and heat output while helping to reduce or eliminate smoking problems with your fireplace.

Smoking may also occur if your home is slightly depressurized, which is when pressure inside your home is less than the pressure outside. This is most likely to occur in a "tight" home (a home with good weather stripping, etc.), or if an exhaust fan (such as over your stove or in the bathroom ceiling) is operated while a fire is burning. At times it may be necessary to crack open a window or door when using your fireplace unless some other means of supplying air is available, such as a forced-air type heating system which uses an outside air supply.

You should experiment with different settings of both firescreen and flue dampers (if possible) until you find the combination which works the best for your fireplace.

Selecting and storing firewood.

The type of firewood you burn and its moisture content can have a large effect on the amount of heat and enjoyment you are able to obtain from your fireplace. The following are some general guidelines for selecting and storing firewood.

Most firewood can be categorized as one of two basic types: softwood or hardwood. Each of these types offers something different in terms of heat value, flame size, burning duration and aroma.

In general, softwoods are from trees that do not lose their leaves or needles, such as pine, fir, hemlock, and spruce. This type of wood ignites readily, burns rapidly, and produces a crackling blaze. However, softwoods also tend to leave soot and residue in your chimney and, if used often, may require more frequent cleaning of your chimney (see CREOSOTE—FORMATION AND NEED FOR REMOVAL). Hardwoods, in general, are from trees that lose their leaves in the fall, such as oak, walnut, maple and cherry. Most hardwoods burn relatively slowly and quietly, and leave little residue and soot in your chimney. However, most hardwoods are often difficult to split and ignite. Some types of hardwoods, such as birch, are almost as easy to split and ignite as softwoods, yet are long-lasting and clean-burning like most hardwoods and are a good, overall choice.

If both hardwoods and softwoods are used for burning, use the softwood to start your fire, then add the hardwood as needed. This will result in a fire that is both easily started and long-lasting. If just one type of wood is to be used, hardwoods are preferred over softwoods due to their greater heating and burning efficiency.

In order to obtain the best heating and burning efficiency from your fireplace, only burn wood that has been properly seasoned, with a moisture content about 22% to 24%. The moisture content of freshly cut wood depends on many factors, such as the type of tree, the time of year and whether the tree was living or dead, but can usually be assumed to be greater than about 34%. Therefore, in general, most wood should be dried before attempting to burn it.

The surest way of ensuring that your wood is dry enough is to buy or cut it six to eighteen months before you intend to use it. It should be cut into lengths about 13

to 20" long and split into pieces with diameters no larger than about 10". After splitting, the wood should be stacked outside, under a roof or with a cover to protect the wood from getting wet, using skids to keep the wood off the ground. The wood should be stacked in such a manner that air can circulate between the pieces.

It is possible to dry wood too much, as wood with a moisture content below about 18% doesn't give off very much heat when burned. Also, some wood may need to be dried for a longer period, especially if the wood is waterlogged (soaked in water for a period of time). Never burn wood that has been treated with creosote, such as pilings, telephone poles, fence posts or railroad ties, as the creosote will burn at a much higher temperature than your fireplace was designed for and could easily start a chimney or roof fire. Burning creosote gives off large quantities of pollution and the smoke is especially foul-smelling and unpleasant.

Building a fire.

WARNING: Never use gasoline, gasoline-type lantern fuel, kerosene, charcoal lighter fluid, or similar liquids to start or "freshen up" a fire. Keep all such liquids well away from the fireplace while it is in use.

WARNING: Do not place combustible materials close to fireplace opening.

A properly built fire will maximize the heat output and enjoyment from your fireplace. For best results, use a sturdy grate or wood basket (for good air circulation), placed against the back wall of your fireplace (for maximum heat radiation). Always use at least three logs, as they will radiate heat to each other and help keep the fire burning with minimal attention.

Follow these steps for a quick starting and successful fire:

- 1 Prepare some kindling by splitting wood into pieces no larger than about 1/4" diameter and a few, larger pieces (split about 1 to 2" in diameter). Also, select about three or more pieces of wood about 8 to 10" in diameter (normal fireplace-sized pieces).
- 2 Crumple several sheets of newspaper tightly and place on top of the grate.
- 3 Place all of the kindling on top of the newspaper, crisscross fashion, and then place the slightly larger pieces on top of the kindling, crisscrossed as well.
- 4 Lay one or more crumpled sheets of newspaper on top of the wood inside the fireplace and light (before lighting, ensure that the flue damper is open)—this is to warm the flue and establish a draft up the chimney. While the paper is burning, light the newspaper under the kindling.
- 5 Wait until the kindling and slightly larger pieces have ignited and are burning before adding the normal fireplace-sized pieces of wood. Place the wood in the fire in such a manner that some air can circulate between the pieces, yet the pieces are as close together as possible.
- 6 Close the curtain mesh or gate mesh and keep closed while the fire is burning to prevent any sparks or hot coals from escaping the fireplace. You may also wish to close the glass doors, but do so only after allowing the doors to warm up and only if the fire is not too large. **The flames of the fire should never be allowed to come any closer than about 8" from the glass doors.**

WARNING: Operate only with both doors fully open or fully closed to reduce risk of smoke and flame spillage.

WARNING: Do not build an excessively large or hot fire. Scorching of the trim of your firescreen could result.

Avoid building a fire that is especially large or hot. The tempered glass in the doors and the finish on your firescreen should be able to withstand temperatures as high as 550°F without sustaining any damage. Temperatures as high as this or higher are not likely to occur with normal use.

Should a fire become too large or hot, open the firescreen's damper all the way and then open both glass doors all the way—this will quickly reduce the interior heat of

the fireplace. For extreme cases, a light spray of water directly on the fire will help to quickly reduce its temperature and size. Use a poker to push the wood to the back of the fireplace and tend the fire until its size is reduced.

WARNING: Never allow any cold objects or water to come into contact with the glass in the doors when hot or breakage may occur.

Disposal of ashes.

Ashes should be placed in a metal container with a tight fitting lid. The closed container of ashes should be placed on a noncombustible floor or on the ground, well away from all combustible materials, pending final disposal. If the ashes are disposed of by burial in soil or otherwise locally dispersed, they should be retained in the closed container until all cinders have thoroughly cooled.

Creosote: Formation and need for removal.

When wood is burned slowly, it produces tar and other organic vapors, which combine with expelled moisture to form creosote. The creosote vapors condense in the relatively cool chimney of a slow-burning fire. As a result, creosote residue accumulates on the flue lining. When ignited this creosote makes an extremely hot fire.

The chimney should be inspected at least twice monthly during the heating season to determine if a creosote buildup has occurred.

If creosote has accumulated it should be removed to reduce the risk of a chimney fire.

Care and cleaning.

Your firescreen's finish has been covered at the factory with a protective enamel coating and should never be polished, nor should it ever need to be polished. Instead of polishing, clean with a mild soap solution using a soft, clean cloth, then dry. To remove any stubborn stains from the glass, use a mild soap solution, followed by a dampened towel (dampened with clean water only), followed by a clean dry towel. In most cases, simply use a dampened towel followed by a dry towel without using soap. Do not use ammonia or ammonia-based glass or household cleaners to clean the glass or the firescreen, as these types of cleaners may damage the finish of your firescreen. Minor finish scratches can be removed by applying lemon oil. **DO NOT CLEAN GLASS WHEN HOT OR BREAKAGE MAY OCCUR.**

Firescreen Limited Warranty

The manufacturer warrants to you, the original retail purchaser only, that your firescreen will be free of defects in material and workmanship at the time of your purchase from an authorized dealer or distributor for a period of one year beginning with the date of purchase.

At any time during this stated period, should any of the parts be found to have been defective in material or workmanship at the time of purchase, the manufacturer will repair or replace same at no cost to purchaser. However, purchaser must pay labor and transportation costs for removal and return of the firescreen, or its parts, to the manufacturer, as well as labor costs for reinstallation of the repaired unit. Proof of purchase must accompany the returned product. If you believe the product is defective, notify your dealer who can assist you in returning it to the manufacturer whose address is: Portland Willamette Division, Thomas Industries, Inc., 6800 N.E. 59th Place, Portland, Oregon 97218.

In the case of breakage of a pane of glass on the firescreen, these are warranted to the original purchaser against breakage for as long as you own the firescreen in the original installation. Portland Willamette's liability under this warranty is limited to replacement, without charge, except for transportation and installation labor, of the glass panels in the event of breakage upon receipt of notice in writing to Portland Willamette or their authorized dealer of such breakage. This warranty shall not apply to any firescreen panel of glass which, in Portland Willamette's judgment has been subject to misuse, negligence or accident.

PORTLAND WILLAMETTE LIMITS THE DURATION OF THE IMPLIED WARRANTY OF MERCHANTABILITY TO THE PERIOD SET FORTH ABOVE, APPLICABLE TO THE PARTS AS SPECIFIED, AND OTHERWISE DISCLAIMS ALL IMPLIED WARRANTIES WITH RESPECT TO THE FIRESCREEN AND ITS PARTS. Some states disallow certain limitations on implied warranties. so you should consult your state law if you have a question regarding this limitation and disclaimer.

The manufacturer disclaims any and all liability for incidental, consequential, special or indirect damages arising out of any claimed breach of warranty or otherwise. However, some states do not allow exclusion or limitation of such damages so this disclaimer may not apply to you.

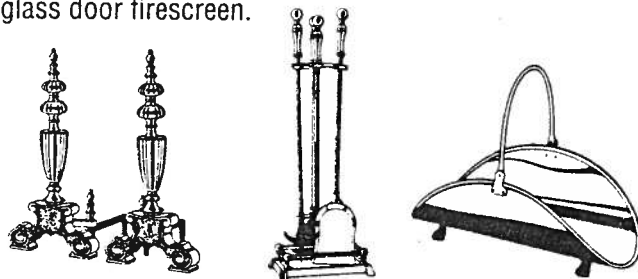
The remedy provided in this limited warranty for a defective firescreen is purchaser's sole and exclusive remedy subject to your state law. Further, this warranty gives you specific legal rights and you may also have other rights which vary from state to state.

ULTRA FYRE® RADIANT HEAT GAS LOGS

Portland Willamette Ultra Fyre gas log sets add beauty and practicality to your fireplace. Clean burning logs operate on LP or natural gas. 15" to 60" widths in a choice of finishes. All molded to look like real wood.



See your Portland Willamette dealer for matching Portland Willamette accessories to compliment your new glass door firescreen.



PORTLAND WILLAMETTE
DIVISION

P.O. Box 13097 Portland, OR 97213
Phone (503) 288-7511

©1993 Thomas Industries, Inc.
All Rights Reserved

PWPG-2-7/93

