

Owner's Manual

Care and Operation

INSTALLER: Leave this manual with party responsible for use and operation.

OWNER: Retain this manual for future reference.

Contact your dealer with questions regarding installation, operation or service.

NOTICE: DO NOT discard this manual!

**Artisan
Series**



Models:

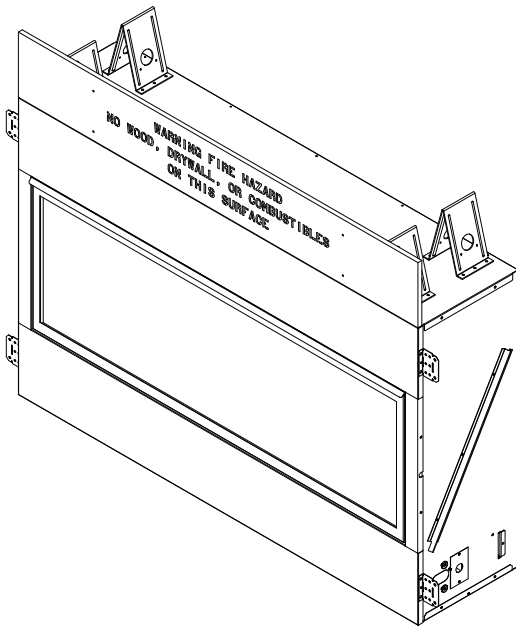
AVFL42NIP-BU/PIP-BU

AVFL42NIP-RB/PIP-RB

AVFL48NIP/PIP

AVFLST48NIP/PIP

AVFL60NIP-B/PIP-B



This appliance may be installed in an after-market, permanently located, manufactured (mobile) home, where not prohibited by local codes.

This appliance is only for use with the type of gas indicated on the rating plate. This appliance is not convertible for use with other gases.

▲ WARNING:
FIRE OR EXPLOSION HAZARD
Failure to follow safety warnings exactly could result in serious injury, death, or property damage.

- **DO NOT** store or use gasoline or other flammable vapors and liquids in the vicinity of this or any other appliance.
- **What to do if you smell gas**
 - **DO NOT** try to light any appliance.
 - **DO NOT** touch any electrical switch. **DO NOT** use any phone in your building.
 - Leave the building immediately.
 - Immediately call your gas supplier from a neighbor's phone. Follow the gas supplier's instructions.
 - If you cannot reach your gas supplier, call the fire department.
- Installation and service must be performed by a qualified installer, service agency, or the gas supplier.

In the Commonwealth of Massachusetts installation must be performed by a licensed plumber or gas fitter.

See appliance installation manual for additional Commonwealth of Massachusetts requirements.

- **DO NOT** install this appliance in a bedroom or bathroom. Please refer to page 6 Section F of the Installation Manual for proper appliance placement.

This is an unvented gas-fired heater. It uses air (oxygen) from the room in which it is installed. Provisions for adequate combustion and ventilation air must be provided. Refer to page 6 of the Installation Manual.

▲ Safety Alert Key:

- **DANGER!** Indicates a hazardous situation which, if not avoided will result in death or serious injury.
- **WARNING!** Indicates a hazardous situation which, if not avoided could result in death or serious injury.
- **CAUTION!** Indicates a hazardous situation which, if not avoided, could result in minor or moderate injury.
- **NOTICE:** Used to address practices not related to personal injury.

Table of Contents

1 Welcome

- A. Congratulations 3
- B. Limited Lifetime Warranty. 4

2 Product Specific Information

- A. Appliance Certification 6
- B. BTU Specifications. 6

3 Important Safety and Operating Information

- A. Appliance Safety 7
- B. General Operating Parts 9
- C. Fuel Specifications. 9
- D. Good Faith Wall Surface/TV Guidelines 10
- E. Before Lighting Appliance. 12
- F. Lighting Instructions (IPI) 13
- G. Initial Use 14
- H. Heat Management 14
- I. Operation During A Power Outage 14

4 Intellifire Plus™ ODS

5 Maintenance and Service

- A. Maintenance: Frequency and Tasks 21
- B. Maintenance Tasks: Homeowner 21
- C. Maintenance Tasks: Qualified Service Technician 21

6 Frequently Asked Questions and Troubleshooting

- A. Frequently Asked Questions 23
- B. Troubleshooting - Intellifire Plus™ ODS. 23
- C. Troubleshooting—Screen/LEDs/Control Panel 25

7 Reference Materials

- A. Accessories 26
- ▶ B. Service Parts 27
- C. Massachusetts Residents Only 38
- D. Contact Information 39

<p>▲ WARNING! RISK OF FIRE OR EXPLOSION AND ASPHYXIATION HAZARD</p> <p>Improper adjustment, alteration, service, maintenance, or installation of this heater or its controls can cause death or serious injury.</p> <p>Read and follow instructions and precautions in User's Information Manual provided with this heater.</p>
--

→ = Contains updated information.

1 Welcome

Read this manual before operating this appliance.
Please retain this Owner's Manual for future reference.

Read the Installation Manual before making any installation or finishing changes.

A. Congratulations

Congratulations and thank you for selecting a Monessen vent free gas appliance, an elegant and clean alternative to wood burning appliances. The gas appliance you have selected is designed to provide the utmost in safety, efficiency, and style.

As the owner of a new appliance, you'll want to read and carefully follow all of the instructions contained in this owner's manual. Pay special attention to all cautions and warnings.

This owner's manual should be retained for future reference. We suggest that you keep it with your other important documents and product manuals.

The information contained in this owner's manual, unless noted otherwise, applies to all models and gas control systems noted on the cover page.

Your new Monessen gas appliance will give you years of durable use and trouble-free enjoyment. Welcome to the Monessen family. We are glad you joined us!

Local Dealer Information

Dealer: Fill in your name, address, phone and email information here and appliance information below.

Dealer Name: _____
Address: _____ _____
Phone: _____
Email: _____

Appliance Information:

Brand: _____	Model Name: _____
Serial Number: _____	Date Installed: _____

Listing Label Information/Location

The model information regarding your specific appliance can be found on the rating plate usually located in the control area of the appliance.

The diagram shows a rectangular rating plate with the following text and markings:

- Top Left:** Hearth & Home Technologies, 7571 - 215th Street West, Lakeville, MN 55044
- Top Right:** WARNING: Minimum clearances must be observed during the installation of this appliance. Min. ceiling clearance: 36" from fireplace opening. Mantel clearances from top of appliance opening: At 28" from opening, a mantel of 12" or less is allowed. Refer to the Owner's Manual for installation options, diagrams, and other clearance.
- Middle Left:** MODEL: AVFL48NIP, SERIAL: (blank), GAS: NATURAL, MFG. DATE: (blank), Input Rating: Max. 39000 BTU/Hr. Min. 27500 BTU/Hr., Manifold Pressure: 3.5" W.C., For Purpose of Input Adjustment: Min. Supply Pressure: 5" W.C., Max. Supply Pressure: 10.5" W.C., Burner Orifice Size: #31, This unit complies with: ANSI Z21.11.2-(2019) Unvented Heaters.
- Middle Right:** WARNING: The fire screen or guard designed for this unvented appliance must be installed prior to operation. This appliance is intended for supplemental heating. This appliance shall not be field converted.
- Bottom Left:** SKU: AVFL48NIP, with a barcode labeled "BAR CODE".
- Bottom Middle:** SERIAL: (blank), with a barcode labeled "BAR CODE".
- Bottom Right:** GAS-FIRED UL LISTED MH02794, with a UL logo.
- Bottom Center:** 4099-990A

Arrows from the left point to: "Type of Gas" (pointing to GAS: NATURAL), "Gas and Electric Information" (pointing to Input Rating and Manifold Pressure), "Model Number" (pointing to MODEL: AVFL48NIP), and "Serial Number" (pointing to SERIAL:).

B. Limited Lifetime Warranty

Hearth & Home Technologies LLC LIMITED LIFETIME WARRANTY

Hearth & Home Technologies LLC (“HHT”) extends the following warranty for HHT gas, wood, pellet and electric hearth appliances (each a “Product” and collectively, the “Product(s)”) and certain component parts set forth in the table below (“Component Part(s)”) that are purchased from a HHT authorized dealer or distributor.

WARRANTY COVERAGE:

HHT warrants that the Products and their Component Parts will be free from defects in materials and workmanship for the applicable period of Warranty coverage set forth in the table below (“Warranty Period”). If a Product or Component Parts are found to be defective in materials or workmanship during the applicable Warranty Period, HHT will, at its option, repair the applicable Component Part(s), replace the applicable Component Part(s), or refund the purchase price of the applicable Product(s). The maximum amount recoverable under this Warranty is limited to the purchase price of the Product. This Warranty is transferable from the original purchaser to subsequent owners, but the Warranty Period will not be extended in duration or expanded in coverage for any such transfer. This Warranty is subject to conditions, exclusions, and limitations as described below.

WARRANTY PERIOD:

Warranty coverage begins at the date of installation. In the case of new home constructions, Warranty coverage begins on the date of first occupancy of the dwelling or six months after the sale of the Product(s) by an independent, authorized HHT dealer or distributor, whichever occurs earlier. However, the Warranty coverage shall commence no later than 24 months following the date of Product shipment from HHT, regardless of the installation or occupancy date.

The term “Lifetime” in the table below is defined as: 20 years from the beginning date of warranty coverage for gas appliances, 10 years from the beginning date of warranty coverage for wood and pellet appliances, and 5 years from the beginning of warranty coverage for standalone gas log sets. These time periods reflect the minimum expected useful lives of the designated Component Parts under normal operating conditions.

Warranty Period		HHT Manufactured Appliances and Venting						
Component Parts	Labor	Gas	Pellet	Wood	Electric	Venting	Component Parts Covered by this Warranty	
1 Year		X	X	X		X	All parts including handles, external enameled components and other material except as covered by Warranty Conditions, Warranty Exclusions, and Warranty Limitations listed	
2 Years					X		All parts except as covered by Warranty Conditions, Warranty Exclusions, and Warranty Limitations listed	
2 years			X	X			Igniters, Auger Motors, Electronic Components, and Glass	
		X					Electrical components limited to modules, remotes/wall switches, valves, pilots, blowers, junction boxes, wire harnesses, transformers and lights (excluding light bulbs)	
		X		X			Molded Refractory Panels, Glass Liners	
3 years			X				Firepots, burnpots, mechanical feeders/auger assemblies	
5 years		X					Burners and logs for standalone gas log sets (Vented and Vent Free gas log sets not sold as components of the fireplace or stove)	
5 years	1 year	X					Vent Free Burners and Vent Free Log components of HHT manufactured fireplaces or stoves	
			X	X			Castings, Medallions and Baffles	
6 years	3 years			X			Catalysts	
7 years	3 years		X	X			Manifold tubes, HHT Chimney and Terminations	
10 years	1 year	X					Burners, logs and refractory components of HHT manufactured fireplaces or stoves	
Limited Lifetime	3 years	X	X	X			Firebox and heat exchanger, FlexBurn® System (engine, inner cover, access cover and fireback)	
1 Year	None	X	X	X	X	X	All purchased replacement parts	

B. Limited Lifetime Warranty (*continued*)

WARRANTY CONDITIONS:

- Because HHT cannot control the quality of any Products sold by unauthorized sellers, this Warranty only covers Products that are purchased through an HHT authorized dealer or distributor unless otherwise prohibited by law; a list of HHT authorized dealers is available on the HHT branded websites.
- This Warranty is only valid while the applicable Product remains at the site of original installation.
- This Warranty is only valid in the country in which the HHT authorized dealer or distributor that sold the applicable Product is authorized to sell applicable Product.
- Contact your installing distributor or dealer for Warranty service. If the installing dealer or distributor is unable to provide necessary parts, contact the nearest HHT authorized dealer or supplier. Additional service fees may apply if you are seeking Warranty service from a dealer other than the dealer from whom you originally purchased the applicable Product.
- No HHT consumer should bear cost of warranty service or costs incurred while servicing warranty claims (i.e., travel, gas, or mileage) when the service is performed within the terms of this Warranty. Check with your dealer or distributor in advance for any costs to you when arranging a warranty call. Travel and shipping charges for parts are not covered by this Warranty.

WARRANTY EXCLUSIONS:

This Warranty does not cover the following:

- Changes in surface finishes as a result of normal use. As a heating appliance, some changes in color of interior and exterior surface finishes may occur. This is not a flaw and is not covered under the Warranty.
- Damage to printed, plated, or enameled surfaces caused by fingerprints, accidents, misuse, scratches, melted items or other external sources and residues left on the plated surfaces from the use of abrasive cleaners or polishes.
- Repair or replacement of parts that are subject to normal wear and tear during the Warranty Period are not covered. These parts include: paint, wood and pellet gaskets, firebricks, grates, flame guides, batteries and the discoloration of glass.
- Minor expansion, contraction, or movement of certain parts causing noise. These conditions are normal and complaints related to this noise are not covered by this Warranty.
- Damages resulting from: (1) failure to install, operate, or maintain the applicable Product in accordance with the installation instructions, operating instructions, and listing agent identification label furnished with the applicable Product; (2) failure to install the applicable Product in accordance with local building codes; (3) shipping or improper handling; (4) improper operation, abuse, misuse, continued operation with damaged, corroded or failed components, accident, or improperly/incorrectly performed repairs; (5) environmental conditions, inadequate ventilation, negative pressure, or drafting caused by tightly sealed constructions, insufficient make-up air supply, or handling devices such as exhaust fans or forced air furnaces or other such causes; (6) use of fuels other than those specified in the operation instructions; (7) installation or use of components not supplied with the applicable Product or any other components not expressly authorized and approved by HHT; (8) modification of the appliance not expressly authorized and approved by HHT in writing; and/or (9) interruptions or fluctuations of electrical power supply to the applicable Product.
- Non-HHT venting components, hearth connections or other accessories used in conjunction with the applicable Product.
- Any part of a pre-existing fireplace system in which an insert or a decorative gas applicable Product is installed.
- HHT's obligation under this Warranty does not extend to the Product's capability to heat the desired space. Information is provided to assist the consumer and the dealer in selecting the proper Product for the application. Consideration must be given to the Product location and configuration, environmental conditions, insulation and air tightness of the structure.

This warranty is void if:

- The applicable Product has been over-fired, operated in atmospheres contaminated by chlorine, fluorine, or other damaging chemicals. Over-firing can be identified by, but not limited to, warped plates or tubes, deformation/warping of interior cast iron structure or components, rust colored cast iron, bubbling, cracking and discoloration of steel or enamel finishes.
- The applicable Product is subjected to prolonged periods of dampness or condensation.
- There is any damage to the applicable Product due to water or weather damage which is the result of, but not limited to, improper chimney or venting installation.

LIMITATIONS OF REMEDIES AND LIABILITY:

- **EXCEPT TO THE EXTENT PROVIDED BY LAW, HHT MAKES NO EXPRESS WARRANTIES OTHER THAN THE WARRANTY SPECIFIED HEREIN. The owner's exclusive remedy and HHT's sole obligation under this Warranty or in contract, tort or otherwise, shall be limited to replacement of the Component Part(s), repair of the Component Part(s), or refund of the original purchase price of the applicable Product(s), as specified above; provided, however, that (i) if HHT is unable to provide replacement of the Component Part(s) and repair of the Component Part(s) is not commercially practicable or cannot be timely made, or (ii) the customer is willing to accept a refund of the purchase price of the applicable Product(s), HHT may discharge all such obligations by refunding the purchase price of the applicable Product. In no event will HHT be liable for any incidental or consequential damages caused by defects in the applicable Product. Some States do not allow the exclusion or limitation of incidental or consequential damages, so the above limitation or exclusion may not apply to you. This Warranty gives you specific legal rights and you may also have other rights which vary from State to State. THE DURATION OF ANY IMPLIED WARRANTY IS LIMITED TO DURATION OF THE EXPRESSED WARRANTY SPECIFIED ABOVE FOR THE APPLICABLE PRODUCT. Some States do not allow limitations on how long an implied warranty lasts, so the above limitation may not apply to you.**

2 Product Specific Information

A. Appliance Certification

MODEL: AVFL42NIP-BU, AVFL42PIP-BU, AVFL42NIP-RB, AVFL42PIP-RB, AVFL48NIP, AVFL48PIP, AVFLST48NIP, AVFLST48PIP, AVFL60NIP-B, AVFL60PIP-B

LABORATORY: UNDERWRITERS LABORATORIES, INC. (UL)

TYPE: Unvented Room Heaters

STANDARD: ANSI Z21.11.2:19



This product is listed to ANSI standards for “Unvented Gas Heaters” and applicable sections of “Gas Burning Heating Appliances for Manufactured Homes and Recreational Vehicles”, and “Gas Fired Appliances for Use at High Altitudes”.

NOTICE: This installation must conform with local codes. In the absence of local codes you must comply with the National Fuel Gas Code, ANSI Z223.1—latest edition in the U.S.A.

NOT INTENDED FOR USE AS A PRIMARY HEAT SOURCE.

This appliance is tested and approved as either supplemental room heat or as a decorative appliance. It should not be factored as primary heat in residential heating calculations.

Installation and service of this appliance should be performed by qualified personnel. Hearth & Home Technologies recommends HHT Factory Trained or NFI certified professionals.

B. BTU Specifications

Models		Maximum Input BTU/h	Minimum Input BTU/h	Orifice Size (DMS)
AVFL42NIP-BU (NG)	(0-2000 FT)	34,000	23,500	.1110(#34)
AVFL42PIP-BU (PROPANE)	(0-2000 FT)	33,000	26,000	.070(#50)
AVFL42NIP-RB (NG)	(0-2000 FT)	24,500	17,500	.096(#41)
AVFL42PIP-RB (PROPANE)	(0-2000 FT)	24,000	19,000	.0595(#53)
AVFL48NIP (NG)	(0-2000 FT)	39,000	27,500	.120(#31)
AVFL48PIP (PROPANE)	(0-2000 FT)	38,000	31,000	.076(#48)
AVFLST48NIP (NG)	(0-2000 FT)	39,000	27,500	.120(#31)
AVFLST48PIP (PROPANE)	(0-2000 FT)	38,000	31,000	.076(#48)
AVFL60NIP-B (NG)	(0-2000 FT)	40,000	28,000	.120(#31)
AVFL60PIP-B (PROPANE)	(0-2000 FT)	39,000	30,500	.076(#48)

NOTE: For higher elevations please see page 9.

WARNING

This appliance is equipped for (natural or propane) gas. Field conversion is not permitted.



WARNING: This product and the fuels used to operate this product (liquid propane or natural gas), and the products of combustion of such fuels, can expose you to chemicals including benzene, which is known to the State of California to cause cancer and reproductive harm. For more information go to: www.P65Warnings.ca.gov.

3 Important Safety and Operating Information

A. Appliance Safety

WARNING! DO NOT operate appliance before reading and understanding operating instructions. Failure to operate appliance according to operating instructions could cause fire or injury.

WARNING! Choking Hazard! Keep crushed glass media out of reach of children.

- Alert children and adults to hazards of high temperatures.

High temperatures may ignite clothing or other flammable materials.

- Clothing, furniture, draperies, and other flammable materials must not be placed on or near the appliance.

Young children should be carefully supervised when they are in the same room as the appliance. Toddlers, young children and others may be susceptible to accidental contact burns.

- A physical barrier is recommended if there are at risk individuals in the house.
- To restrict access to an appliance or stove, install an adjustable safety gate to keep toddlers, young children, pets and other at risk individuals out of the room and away from hot surfaces.
- Install a switch lock or a wall/remote control with child protection lockout feature.
- Keep remote controls out of reach of children.
- Never leave children alone near a hot appliance, whether operating or cooling down.
- Teach children to NEVER touch the appliance.
- Consider not using the appliance when children will be present.

Contact your dealer for more information, or visit: www.hpba.org/safety-information.

To prevent unintended operation when not using your appliance for an extended period of time (summer months, vacations, trips, etc):

- Remove batteries from remote controls.
- Turn off wall controls.
- Unplug 6 volt adapter plug.

Clear Space

WARNING! DO NOT place combustible objects in front of the appliance. High temperatures may start a fire. See Figure 3.1.

Avoid placing candles, electronics and other heat-sensitive objects on mantel or hearth. Heat may damage these objects.

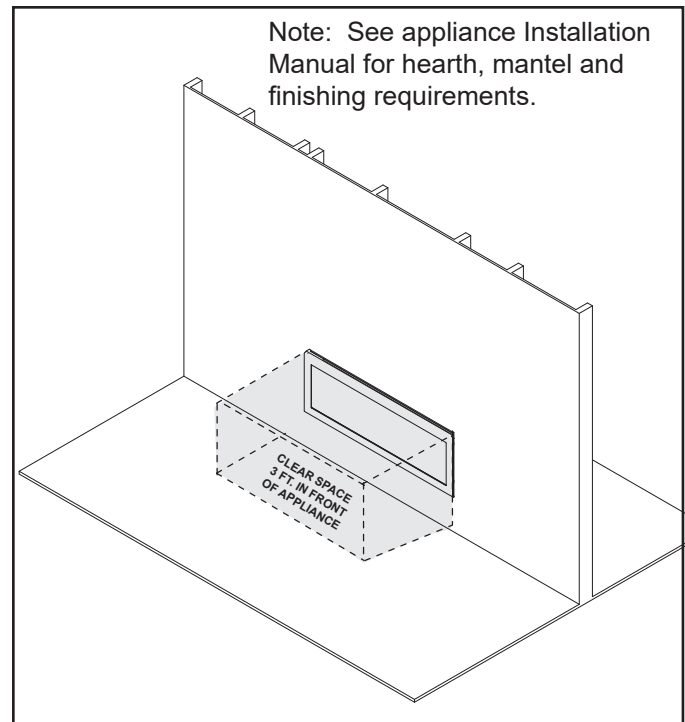


Figure 3.1 Clear Space

Over Firing

The appliance is considered to be over firing if the flames are contacting the top of the firebox. Call a qualified service technician to service the appliance.

Important Safety and Operating Information (continued)

OWNER

Please retain these instructions for future reference.

WARNING

- Any change to this appliance or its controls can be dangerous.
- Improper installation or use of the appliance can cause serious injury or death from fire, burns, explosion or carbon monoxide poisoning.
- Do not allow fans to blow directly into the appliance. Avoid any drafts that alter burner flame patterns.
- Do not use a blower insert, heat exchanger insert or other accessory, not approved for use with this heater where applicable.

1. Due to high temperatures, the appliance should be located out of traffic and away from furniture and draperies.
2. Children and adults should be alerted to the hazard of high surface temperature and should stay away to avoid burns or clothing ignition.
3. Young children should be carefully supervised when they are in the same room with the appliance.
4. Do not place clothing or other flammable material on or near the appliance.
5. Any safety screen or guard removed for servicing an appliance, must be replaced prior to operating the heater.
6. Installation and repair should be done by a qualified service person. The appliance should be inspected before use and at least annually by a professional service person. More frequent cleaning may be required due to excessive lint from carpeting, bedding material, etc. It is imperative that control compartments, burners, and circulating air passageways of the appliance be kept clean.
7. This appliance is intended for supplemental heating.

8. **CARBON MONOXIDE POISONING:** Early signs of carbon monoxide poisoning are similar to the flu with headaches, dizziness and/or nausea. If you have these signs, obtain fresh air immediately. Have the heater serviced as it may not be operating properly.
9. The installation must conform with local codes or, in the absence of local codes, with the **National Fuel Gas Code, ANSI Z223.1/NFPA54**.
10. Do not install this appliance in a bathroom or bedroom.
11. Correct installation of the crushed glass media, optional stone and ceramic fiber logs, proper location of the appliance, and annual cleaning are necessary to avoid potential problems with sooting. Sooting, resulting from improper installation or operation, can settle on surfaces outside the appliance. Refer to log placement instructions for proper installation.

12. **WARNING:** Do not allow fans to blow directly into the appliance. Avoid any drafts that alter burner flame patterns. Do not place a blower inside burn area of appliance. Ceiling fans may create drafts that alter burner flame patterns. Sooting and improper burning will occur.
13. **Caution:** Candles, incense, oil lamps, etc. produce combustion by-products including soot. Vent-free appliances will not filter or clean soot produced by these types of products. In addition, the smoke and/or aromatics (scents) may be reburned in the vent-free appliance which can produce odors. It is recommended to minimize the use of candles, incense, etc. while the vent-free appliance is in operation.
14. This heater shall not be installed in a room or space unless the required volume of indoor combustion air is provided by the method described in the *National Fuel Gas Code, ANSI Z223.1/NFPA 54*, the *International Fuel Gas Code* or applicable local codes.
15. Keep room area clear and free from combustible materials, gasoline and other flammable vapors and liquids.
16. Unvented appliances emit moisture into the living area. In most homes of average construction, this does not pose a problem. In houses of extremely tight construction, additional mechanical ventilation is recommended.
17. During manufacturing, fabricating and shipping, various components of this appliance are treated with certain oils, films or bonding agents. These chemicals are not harmful but may produce annoying smoke and smells as they are burned off during the initial operation of the appliance; possibly causing headaches or eye or lung irritation. This is a normal and temporary occurrence. The initial break-in operation should last three to four hours with the burner at the highest setting. Provide maximum ventilation by opening windows or doors to allow odors to dissipate. Any odors remaining after this initial break-in period will be slight and will disappear with continued use.

18. Input ratings are shown in BTU per hour and are for elevations up to 2,000 feet. For elevations above 2,000 feet, input ratings should be reduced 4 percent for each 1,000 feet above sea level. Refer to the National Fuel Gas Code.
19. The appliance and its appliance main gas valve must be disconnected from the gas supply piping system during any pressure testing of that system at test pressures in excess of ½ psig (3.5 kPa).
20. The appliance must be isolated from gas supply piping system by closing its equipment shutoff valve during any pressure testing of the gas supply piping system at test pressures equal to or less than ½ psig (3.5 kPa).
21. Do not use this room heater if any part has been under water. Immediately call a qualified service technician to inspect the room heater and to replace any part of the control system and any gas control which has been under water.
22. Never burn solid fuels in a appliance where a unvented room heater is installed.
23. **WARNING:** Failure to keep the primary air opening of the burner clean may result in sooting and property damage.
24. **WARNING:** Do not use a blower insert, heat exchanger insert or other accessory not approved for use with this heater.

BUILDING CODE INFORMATION

Adhere to all local codes or, in their absence, the latest edition of THE NATIONAL FUEL GAS CODE ANSI Z223.1 or NFPA54 which can be obtained from:

American National Standards Institute, Inc.
 1430 Broadway
 New York, NY 10018

or

National Fire Protection Association, Inc.
 Batterymarch Park
 Quincy, MA 02269

B. General Operating Parts

Figure 3.2 references the general operating parts of the appliance and the section of this manual in which they are discussed.

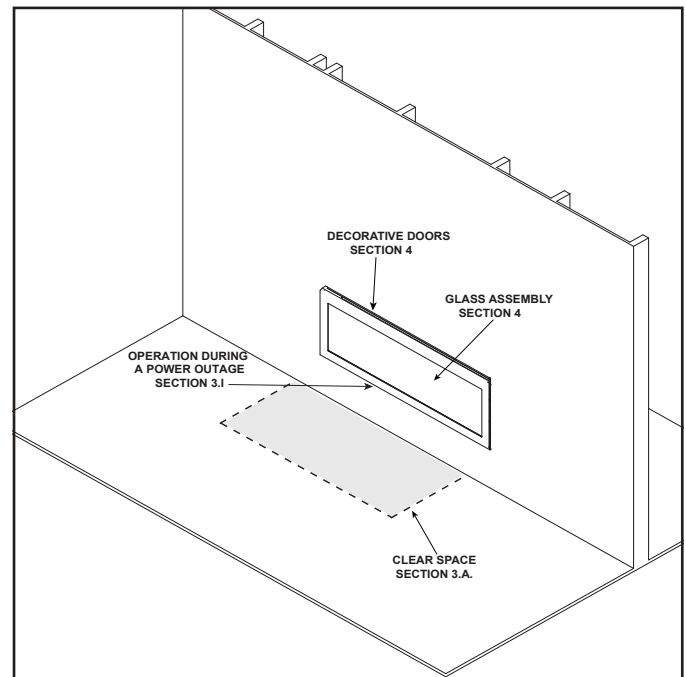


Figure 3.2 General Operating Parts

C. Fuel Specifications

WARNING! Risk of Fire or Explosion! Appliance must be set up for compatible gas type!

- This appliance is designed to operate on either natural gas or propane. Make sure the appliance is compatible with gas type selected for installation site.

WARNING! Risk of Fire! Comply with all minimum clearances to combustibles as specified in the installation instructions.

D. Good Faith Wall Surface TV Guidelines

(AVFL42N(P)IP-BU, AVFL48N(P)IP, AVFL60N(P)IP-B, AND AVFLST48N(P)IP appliances)

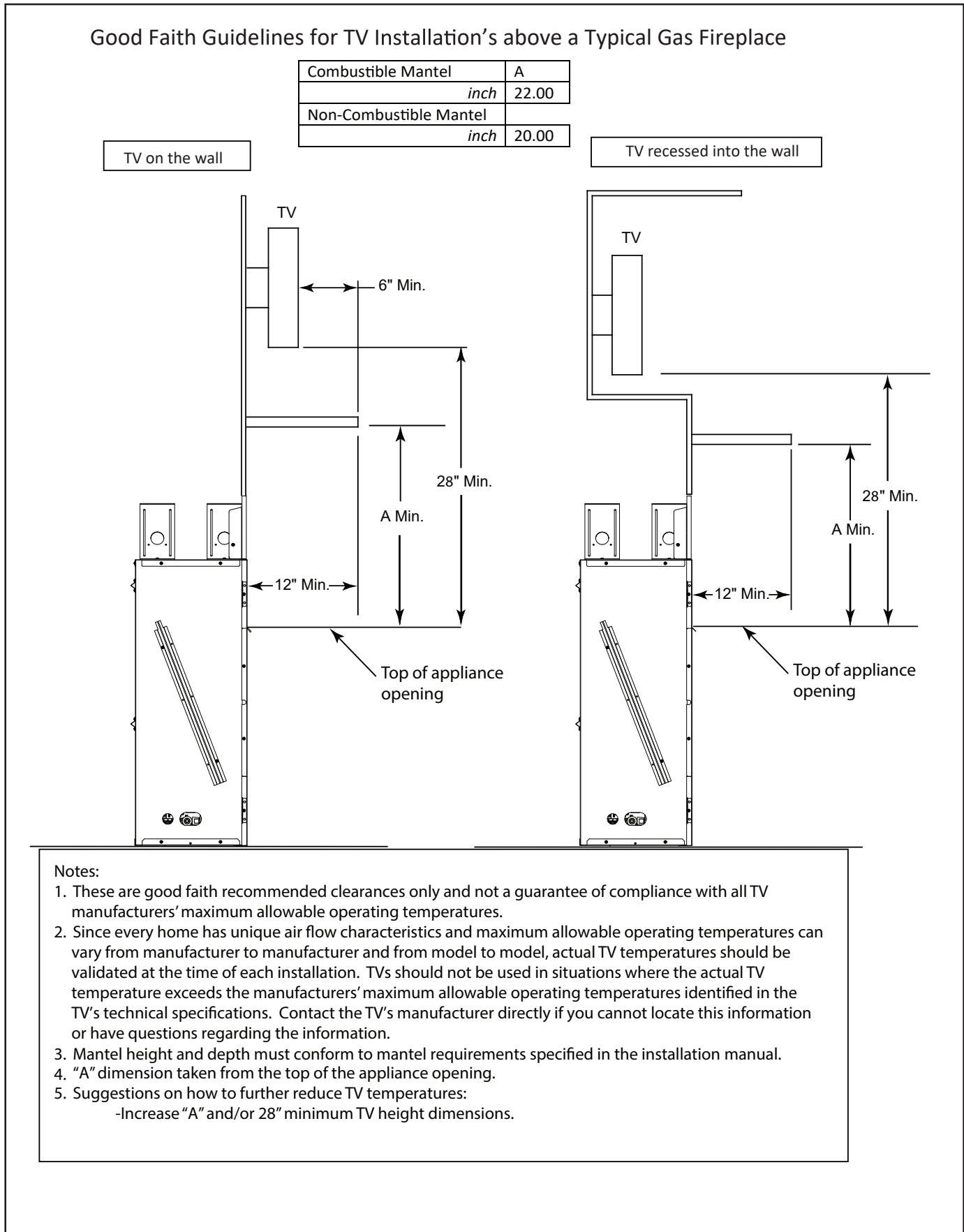


Figure 3.3 Good Faith TV Guidelines

Good Faith Wall Surface TV Guidelines (continued)

(AVFL42N(P)IP-RB)

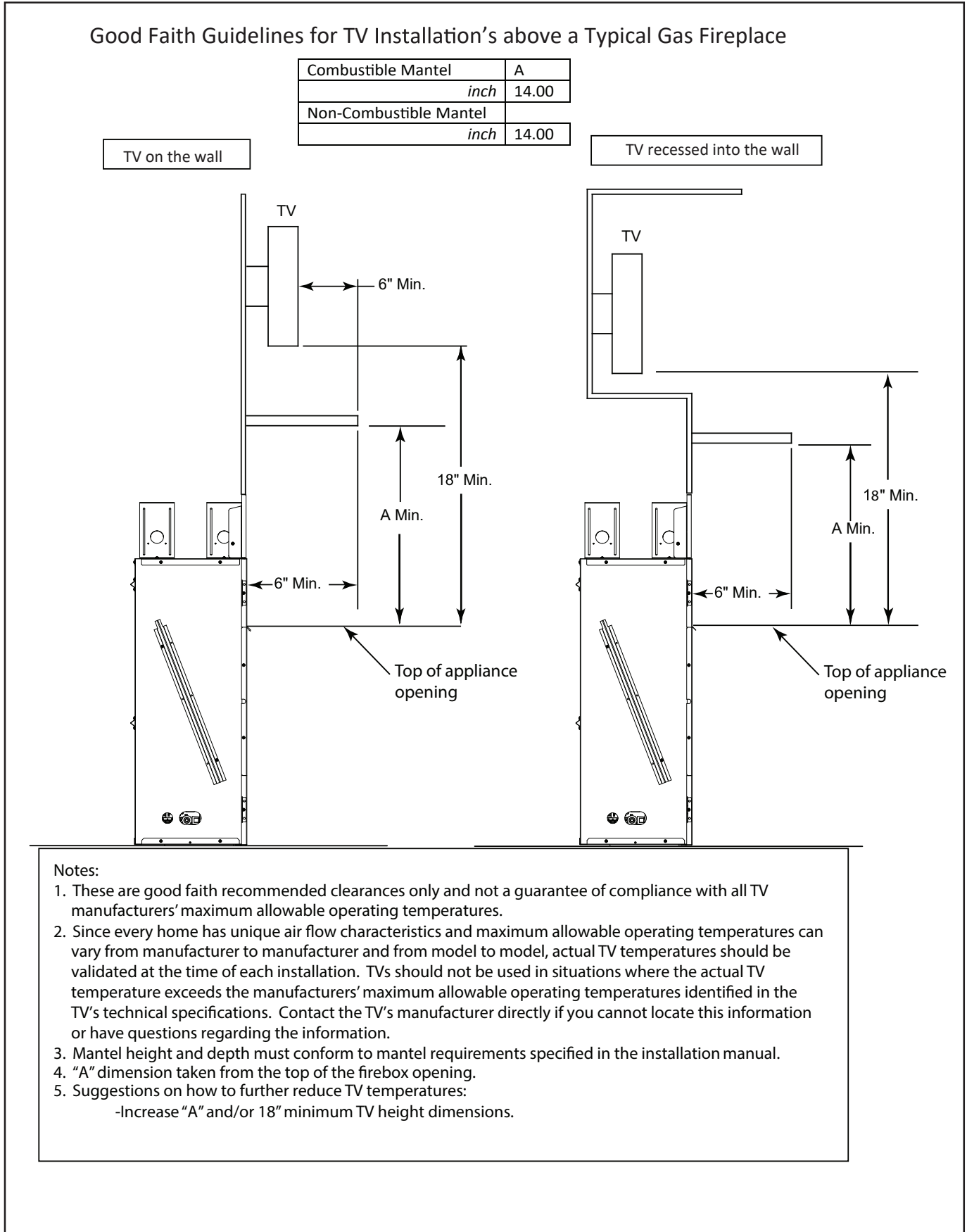


Figure 3.4 Good Faith TV Guidelines

E. Before Lighting Appliance

Before operating this appliance for the first time, **have a qualified service technician:**

- Verify all shipping materials have been removed from inside and/or underneath the firebox.
- Review proper placement of crushed glass media.
- Ensure that there are no gas leaks.
- Ensure that the air deflection glass is seated in the proper position. See Figure 3.5.

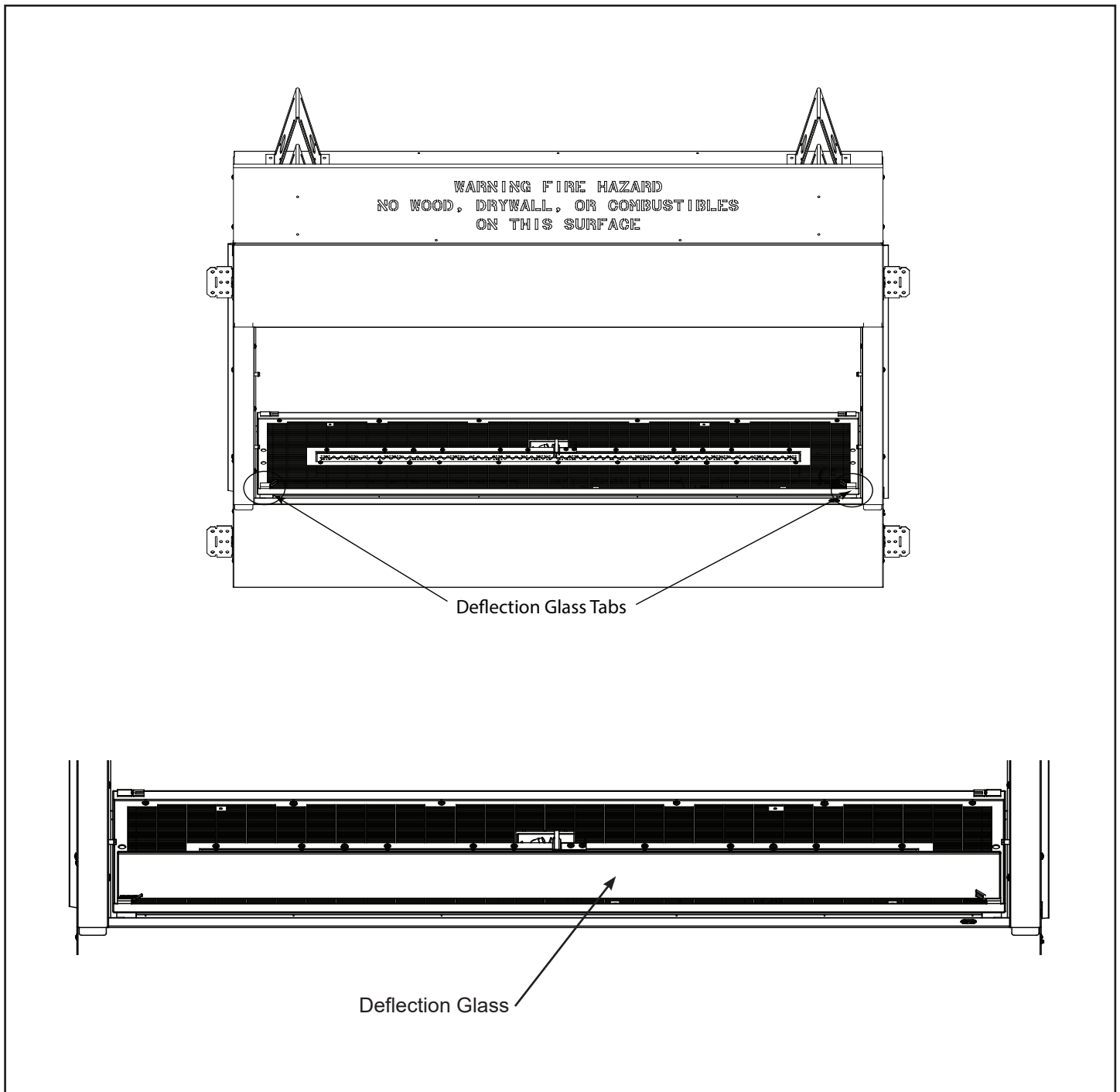


Figure 3.5 Air Deflection Glass

F. Lighting Instructions (IPI)

FOR YOUR SAFETY READ BEFORE LIGHTING

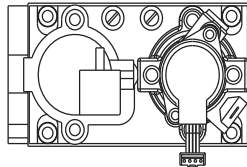
WARNING: If you do not follow these instructions exactly, a fire or explosion may result causing property damage, personal injury or loss of life.

- A. This appliance is equipped with an intermittent pilot ignition (IPI) device which automatically lights the burner. **DO NOT** try to light the burner by hand.
 - B. **BEFORE LIGHTING**, smell all around the appliance area for gas. Be sure to smell next to the floor because some gas is heavier than air and will settle on the floor.
- WHAT TO DO IF YOU SMELL GAS**
- **DO NOT** try to light any appliance.
 - **DO NOT** touch any electric switch; do not use any phone in your building.
 - Immediately call your gas supplier from a neighbor's phone. Follow the gas supplier's instructions.
 - If you cannot reach your gas supplier, call the fire department.
- C. **DO NOT** use this appliance if any part has been under water. Immediately call a qualified service technician to inspect the appliance and to replace any part of the control system and any gas control which has been under water.

LIGHTING INSTRUCTIONS (IPI)

1. This appliance is equipped with an ignition device which automatically lights the burner. **DO NOT** try to light the burner by hand.
2. Wait five (5) minutes to clear out any gas. Then smell for gas, including near the floor. If you smell gas, **STOP!** Follow "B" in the Safety Information located on the top of this label. If you do not smell gas, go to next step.
3. To light the burner:
Equipped with wall switch: Turn ON/OFF switch to ON.
Equipped with remote or wall control: Press ON or FLAME button.
Equipped with thermostat: Set temperature to desired setting.
4. If the appliance does not light after three tries, call your service technician or gas supplier.

**GAS
VALVE**



TO TURN OFF GAS TO APPLIANCE

1. Equipped with wall switch: Turn ON/OFF switch to OFF.
Equipped with remote or wall control: Press OFF button.
Equipped with thermostat: Set temperature to lowest setting.
2. Service technician should turn off electric power to the control when performing service.

4604-200

WARNING:

DO NOT CONNECT LINE VOLTAGE (110/120 VAC OR 220/240 VAC) TO THE CONTROL VALVE.

Improper installation, adjustment, alteration, service or maintenance can cause injury or property damage. Refer to the owner's information manual provided with this appliance. For assistance or additional information, consult a qualified installer, service agency or the gas supplier.

This appliance needs fresh air for safe operation and must be installed so there are provisions for adequate combustion and ventilation air.

CAUTION:

Keep burner and control compartment clean. See installation and operating instructions accompanying appliance.

Hot while in operation. **DO NOT** touch. Keep children, clothing, furniture, gasoline and other liquids having flammable vapors away.

NOT FOR USE WITH SOLID FUEL

This appliance must be installed in accordance with local codes, if any; if none, follow the *National Fuel Gas Code, ANSIZ223.1/ NFPA 54, or the National Gas and Propane Installation code, CSA B149.1.*

For additional information on operating your
Hearth & Home Technologies fireplace, please refer to www.fireplaces.com.

4604-200

G. Initial Use

Initial Break-in Procedure

- The appliance should run three to four hours continuously on high.
- Turn the appliance off and allow it to completely cool.

This cures the materials used to manufacture the appliance.

NOTICE! Open windows for air circulation during appliance break-in.

- Some people may be sensitive to smoke and odors.
- Smoke detectors may activate.

H. Heat Management

Burn Rate

The Artisan model has a variable burn rate which is controlled by the remote control. Therefore the flame height is adjustable.

The flame height may be adjusted as desired by locating the flame option on the remote control and adjusting up or down to desired flame height.

I. Operation During A Power Outage

The IntelliFire Plus™ ODS intermittent pilot ignition system comes with a battery backup system that enables the system to operate in a power outage. The system offers seamless transition from household AC power to battery backup. A factory-installed battery pack is located in the control cavity of the appliance. See Figure 3.6. Battery longevity and performance will be affected by long term exposure to the service temperatures of this appliance.

NOTICE: Batteries should only be used as a power source in the event of an emergency power outage. Batteries should not be used as a primary long-term power source.

To Operate Appliance Using Battery Power (DC):

1. Access the control cavity of the appliance. See Figure 3.6 for location. Make sure unit is off and cool. Lift the barrier screen off of the appliance. Remove the logs or stone if installed. Remove crushed glass media and deflection glass panel from hearth pan. Remove two (2) screws securing burner assembly to appliance, set aside. Lift the burner assembly and place the two engine supports, provided under the engine, against lower front space at the bottom of the face, and slide into the slots at the bottom of the engine assembly. See Figure 3.6.
2. Locate the battery tray and insert four AA cell batteries. See Figure 3.7. Battery polarity must be correct or module damage will occur. A complete wiring diagram is included in the electrical section of the appliance installation manual.
3. Turn the appliance on according to the instructions below for the appropriate type of control:

Wall Switch:

- Toggle the switch as you would under normal circumstances.

Wireless Remote:

- Remote receiver is integrated into the ignition module
- Use the remote to turn the appliance on.
- To preserve battery life, do not use the HI/LO flame or THERMOSTAT options.

NOTICE: Some functionality will be lost when using battery backup including remote control, lights, or any other auxiliary functions that require household 110-120 VAC power.

To Return to Operation Using Electrical (AC) Power

Wall Switch:

- Toggle the switch to OFF.
- Remove the batteries from the battery tray.

Wireless Remote:

- Use the remote to turn the appliance off.
- Remove the batteries from the battery tray.

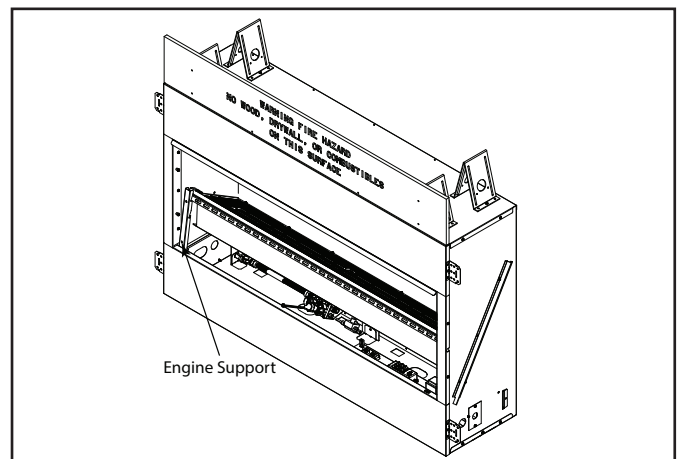


Figure 3.6 Control Cavity Location (Cut away front view only for location purpose, no direct access from front)

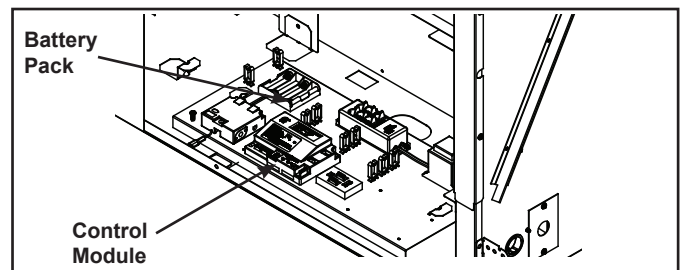


Figure 3.7 Battery Tray Location

4 IntelliFire Plus™ Remote Control

RC300

IntelliFire Plus™ Multifunction Remote Control Installation & Operating Instructions

Hearth & Home Technologies disclaims any responsibility for, and the warranty will be voided by, the following actions:

- Installation and use of any damaged system component.
- Modification of the system component.
- Installation other than as instructed by Hearth & Home Technologies.
- Installation and/or use of any component part not approved by Hearth & Home Technologies.

Any such action may cause a fire hazard.

- Read, understand and follow these instructions for safe installation and operation.

Introduction

The RC300 multifunctional remote control is designed to control light, flame height and interior dome lighting. The RC300 is equipped with thermostat functions which can automatically control the temperature in the room in which it is installed. The control is only for use with the Hearth & Home Technologies IntelliFire Plus™ system (IPI).

Installation Precautions

This remote control is tested and safe when installed in accordance with this installation manual. Do not install any components that may be damaged.

Do not modify, disassemble, or substitute any of the components included with this kit. Installation of this unit must be done by a qualified service technician.

Placement of this remote control may affect performance. An assessment of the space should be done prior to installation for optimum performance.

Determine Location

Determine the location for the remote control. The selected location should be in the same space as the fireplace. Never place this unit in a separate room. The remote control must be placed within 30 feet (9.14 m) of the heater but should not be exposed to extreme heat.

The RC300 is approved for interior installation and should not be used in exterior applications.

- Keep remote control out of reach of children.

FCC Requirements

WARNING! Risk of Fire! Changes or modifications to this unit not expressly approved by the party responsible for compliance could void the user's authority to operate the equipment.

Note: This equipment has been tested and found to comply with the limits for a Class B digital device, pursuant to Part 15 of the FCC Rules. These limits are designed to provide reasonable protection against harmful interference in a residential installation. This equipment generates, uses, and can radiate radio frequency energy and, if not installed and used in accordance with the instructions, may cause harmful interference to radio communications. However, there is no guarantee that interference will not occur in a particular installation. If this equipment does cause harmful interference to radio or television reception, which can be determined by turning the equipment off and on, the user is encouraged to try to correct the interference by one or more of the following measures:

- Reorient or relocate the receiving antenna.
- Increase the separation between the equipment and receiver.
- Connect the equipment into an outlet on a circuit different from that to which the receiver is connected.
- Contact the dealer or an experienced radio TV technician for help.

Changing Temperature Scale

To change the temperature display between Celsius and Fahrenheit, remove the battery cover from the back of the remote control and slide the switch to your desired temperature scale (see Figure 4.1). The screen will automatically change the indicators on the room temperature and set temperature portion.

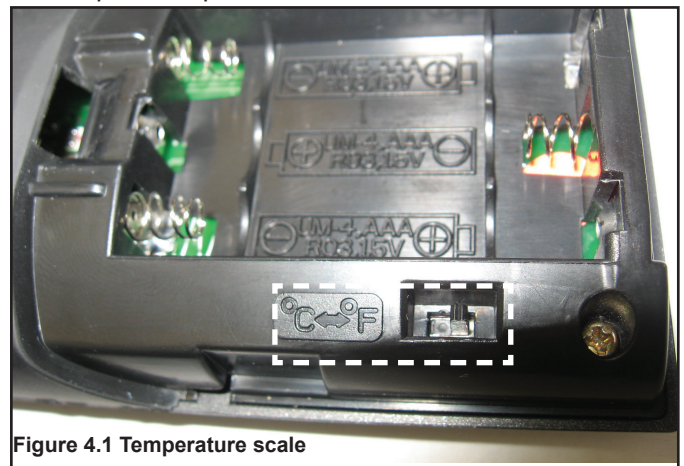


Figure 4.1 Temperature scale

Installation of Remote Control Housing

CAUTION! Risk of Fire! DO NOT install damaged or modified components. Warranty will be voided if damaged or modified components are installed.

Kit components: One remote control, two #6 screws, two wall anchors and 3 AAA batteries. If batteries are properly installed the remote will turn on

1. Remove remote control components from packaging.
2. Remove battery cover from the back of the remote by sliding it down and install 3 AAA batteries.

To prevent unintended operation when not using your heater for an extended period of time (summer months, vacation, trips, etc):

- Remove batteries from remote control.
 - Remove batteries from battery pack.
3. Secure the remote control housing on a flat wall surface using the two screws and wall anchors provided. See Figure 4.2.

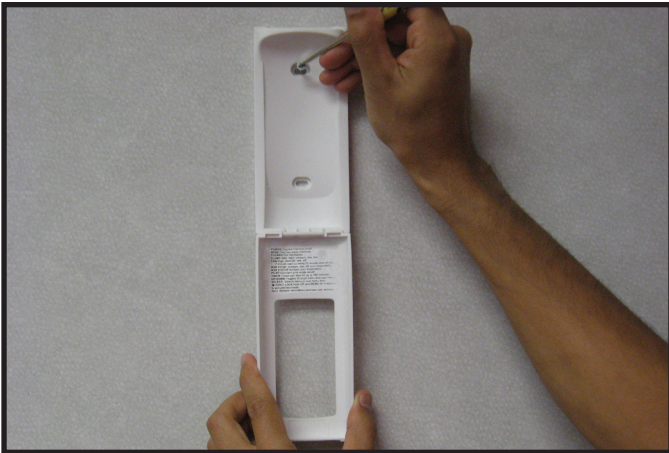


Figure 4.2. Mounting Remote Control Housing

4. Place remote control inside housing. See Figure 4.3.



Figure 4.3. Remote in Housing

5. Close the housing door. See Figure 4.4.



Figure 4.4. Mounting Remote Control Housing

Programming the RC300 to the Control Module

CAUTION! Risk of burns! DO NOT program the remote control to the control module when heater is hot.

- Verify the ON/OFF/REMOTE switch is in the REMOTE position. Green LED light will blink three times and wall switch will beep once 5 seconds later when ready. See Figure 4.5.
- Using a small item (such as a paper clip) press and release the LEARN button located near the ON/OFF/REMOTE switch. See Figure 4.5.
- Control module will beep once and LED will blink green for 10 seconds.
- While the LED is blinking, press the POWER button on the remote control. A double beep will come out of the control module to indicate that it has been programmed successfully.

NOTICE: Up to three remote controls can be programmed into the control module. Simply press a button on the other remote controls during the 10 second programming process to add another remote into the system. It is recommended to program only one RC300 remote control.

To clear memory in the control module, use a small item (such as a paper clip) to press and release the LEARN button. Control module will beep once and LED will blink green for 10 seconds **DO NOT** press any buttons on the remote during the ten seconds that the green LED blinks. The memory will be cleared. Note that the RC300 will not be programmed if it's in STANDBY mode. Press the ON/OFF button twice to switch to IDLE mode.

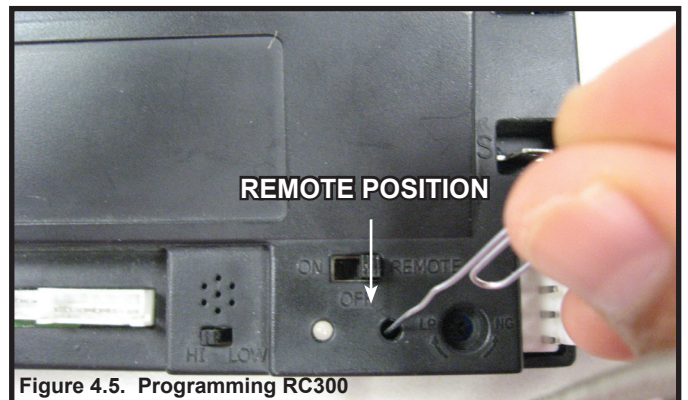


Figure 4.5. Programming RC300

Display Screen

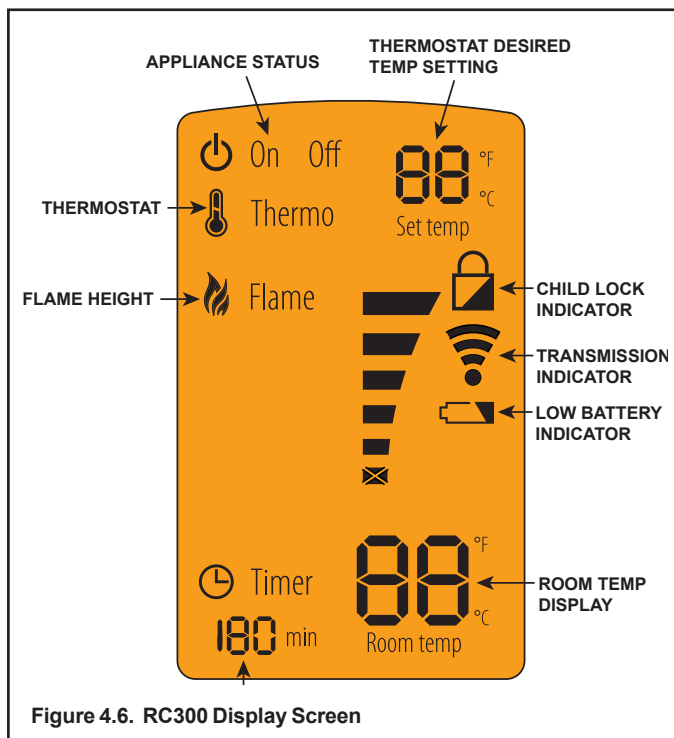


Figure 4.6. RC300 Display Screen

Idle When Remote is in ON Mode

The remote control will go into an idle mode if no buttons are pressed within 5 seconds. Press any button to resume full functionality. In idle mode, only active functions will show on the screen.

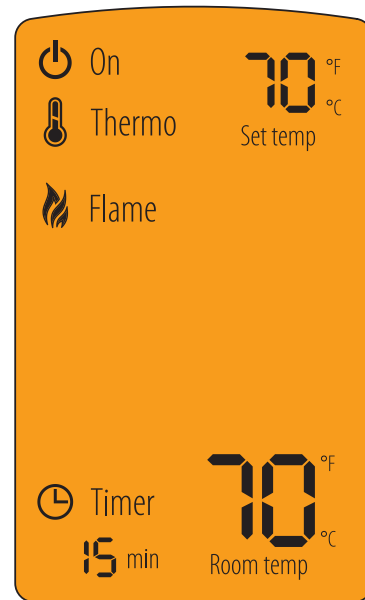







Figure 4.7. RC300 Idle Mode

Function Buttons

-  Use POWER button to turn the unit on and off.
-  Use MENU button to display the menu functions. Only functions that can be activated will be displayed. *For example: Flame Height will not be displayed when the remote status is OFF.*
-  Use the SELECT button to select the current feature.
-  Use the UP and DOWN arrows to toggle through the menu functions and value selections in the submenus.
- 

Standby mode

The remote control will go into a standby mode if no buttons are pressed within 5 minutes. Press the POWER button to reactivate the remote control to ON mode. Active functions will be displayed

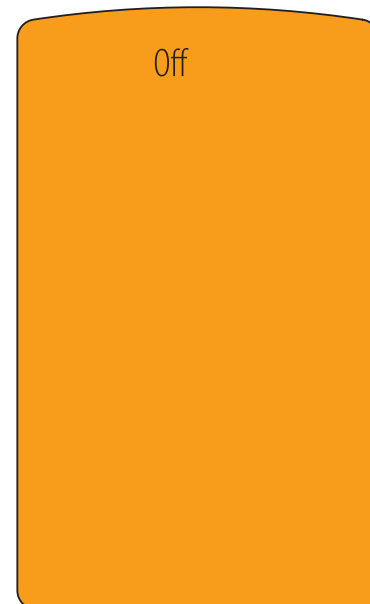


Figure 4.8. RC300 Standby Mode

About ON Mode

- All functions can be accessed when the remote control is in the ON mode.
- Only active functions will be displayed when the remote control is in the ON mode.

Turning On the Heater

- Press the POWER button to turn the heater ON. The heater will first ignite the pilot. Once the pilot flame is established the main burner will be lit.

NOTICE: Whenever the heater is cycled from OFF to ON, the main burner will light on high for 10 seconds before returning to the previous user setting.

Adjusting Flame Height

- Press the **MENU** button to activate the menu.
- Using the **UP** and **DOWN** arrows highlight the **FLAME** icon and press **SELECT**.
- Use the **UP** and **DOWN** arrows to adjust the **FLAME HEIGHT**, then press **SELECT**. The **FLAME HEIGHT** can be adjusted to 5 different settings.

NOTICE: FLAME HEIGHT will not be adjustable for first ten seconds when heater is turned on.

NOTICE: The system will remember the previous FLAME HEIGHT setting and will automatically adjust after 10 seconds.

NOTICE: Some models use fixed valves, which cannot be adjusted.

Adjusting Thermostat

- Press the **MENU** button to activate the menu.
- Using the **UP** and **DOWN** arrows highlight the **THERMO** icon and press **SELECT**.
- Use the **UP** and **DOWN** arrows to turn the **THERMO ON** or **OFF**, then press **SELECT** (the **SET TEMP** will start blinking). Using the **UP** and **DOWN** arrows select the desired temperature and press **SELECT**.

NOTICE: If the THERMO function is on, the SET TEMP can be adjusted at any time by pressing the UP and DOWN arrows.

NOTICE: As the ROOM TEMP (RT) approaches SET TEMP (ST), the remote system will automatically adjust the flame height. If the RT rises above ST, the heater will shut down the main burner. After this, the heater will turn back on after the RT drops below the ST.

NOTICE: The system requires a two degree Fahrenheit or higher temperature difference between RT and ST for the heater to turn on.

NOTICE: The system will remember the previous TEMPERATURE setting when THERMOSTAT mode is cycled ON or OFF.

NOTICE: If your installation includes an optional wired ON/OFF wall switch, it should be in the OFF position when using the RC300 in thermostat mode.

Adjusting Timer

- Press the **MENU** button to activate the menu.
- Using the **UP** and **DOWN** arrows highlight the **TIMER** icon and press **SELECT**.
- Use the **UP** and **DOWN** arrows to turn the **TIMER ON** or **OFF**, then press **SELECT**. Using the **UP** and **DOWN** arrows select the desired set time and press **SELECT**. Timer operates in increments of 15, 30, 45, 60, 90, 120 and 180 minutes.

Setting the Child Lock

- Press and hold the **MENU** and **UP** arrow buttons simultaneously for 4 seconds to enable or disable the child lock feature.

NOTICE: No functions will be usable until child lock feature is disabled.

Manual Appliance Shutoff

In the unlikely event that the remote wall switch malfunctions and will not turn off the heater, call your dealer for service assistance. In the meantime, you may choose one of the following actions to turn off the heater:

CAUTION! Risk of burns! Heater surfaces are hot when operating and during cool down. Use care and wear gloves when opening the front and accessing components inside the heater.

Check remote screen for battery level indicator, replace the batteries if low battery is indicated (See Figure 4.6).

The appliance may be manually shut down by one of the following methods:

Disconnect power to the control module:

- Unplug the control module and/or remove batteries.

Shut off gas to the control:

- Locate the gas shut-off valve to the left of the gas control.
- Rotate the valve 90 degrees to turn off gas supply.
- **To preserve battery life, do not use the HI/LO flame or THERMOSTAT options.**

Note: LED lights on this appliance are not controlled by the remote. The lights are controlled by 2 buttons (see page 19).

Manual Appliance Shutoff

In the unlikely event that the remote wall switch malfunctions and will not turn off the appliance, call your dealer for service assistance. In the meantime, you may choose one of the following actions to turn off the appliance:

CAUTION! Risk of burns! Appliance surfaces are hot when operating and during cool down. Use care and wear gloves when opening the front and accessing components inside the appliance.

Check remote screen for battery level indicator, replace the batteries if low battery is indicated (See Figure 4.6).

The appliance may be manually shut down by one of the following methods:

Turn off power to the appliance (if back-up batteries are not installed):

- Unplug appliance from electrical source, if you cannot unplug then:
- Locate house circuit breaker for appliance.
- Turn off the circuit breaker.
- Turn the reset switch in the front face to the off position. See Figure 4.10

LED Control

(For the AVFL42NIP-BU, AVFL42PIP-BU, AVFL42NIP-RB, and AVFL42PIP-RB the AVFL42LED kit must be purchased separately if LED lights are needed)

- Multi-colored LED lights - The two (2) round buttons on the right in Figure 4.9 turn LEDs ON (HI/MED/LO) and OFF function and cycle through the color selection.
1. Color Fade - This setting will cycle through the colors shown below at a slower rate.
 2. Color Fade Slow - This setting will cycle through the colors shown below at a slower rate.
 3. Pause Color - This setting will pause the slow color fade at any color in the color wheel.
 4. Solid Color Selection - This setting will cycle through each color in order:
 - Blue
 - Violet
 - Red
 - Yellow
 - Green
 - Cyan
 - White

CAUTION! Risk of Electrical Shock! Avoid touching wires and electrical components in appliance control cavity.

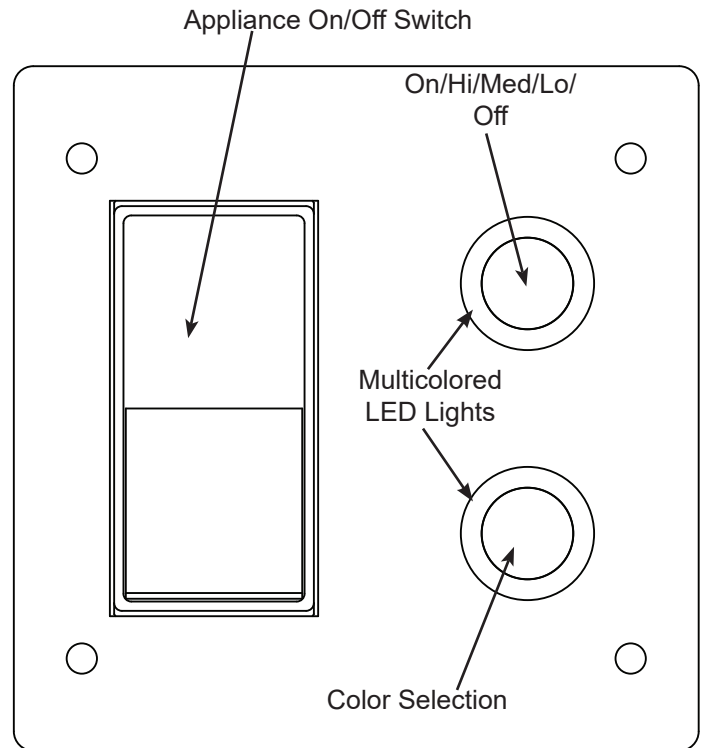


Figure 4.9 Wall Control Switch

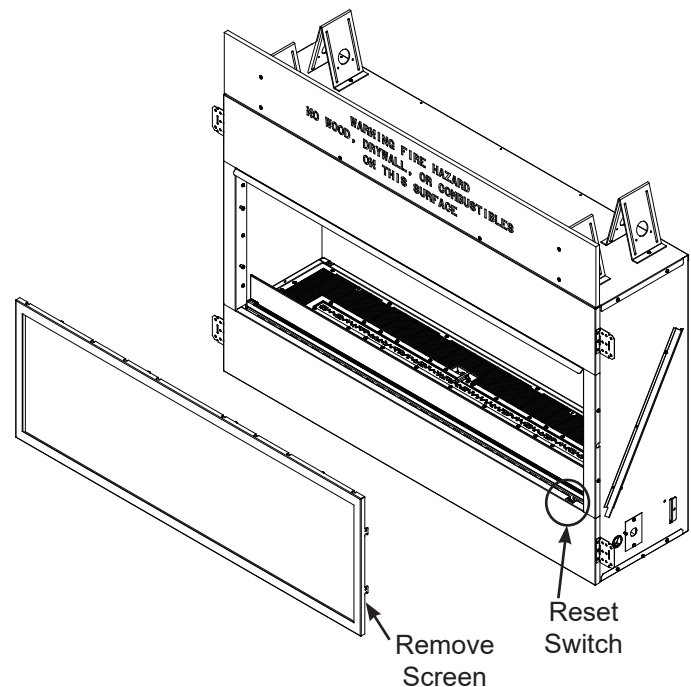


Figure 4.10 Reset Switch

Frequently Asked Questions/Troubleshooting

Symptom	Possible Cause	Corrective Action
Remote control will not transmit	Batteries	Verify batteries are functional and installed correctly.
	Remote control is in Child Lock mode	Disengage Child Lock mode.
	Buttons not being pressed firmly	Press button firmly for one to two seconds to ensure transmission to module.
Control module will not take commands from remote control	Control module is not in "REMOTE" mode	Ensure module switch is set to REMOTE.
	Control module and remote control are not programmed to each other	The control module will beep when it successfully receives a command. If it does not beep, clear module memory and re-program remote.
	Control module is unplugged. In case of power outage, backup batteries are depleted or missing	If the transmission indicator comes on when power button is pressed, verify that the control module is plugged in the appliance junction box located in the controls area. Also verify that the batteries are installed in the battery pack.
Appliance is on but will not shut off with the remote control	External wired wall switch	The appliance cannot be turned off by remote if an external wired switch is installed and in the ON position. Turn external wall switch to OFF.
	Remote control or control module failure	Turn off appliance by setting the reset switch in the front face to the OFF position. Warning! Risk of Burns! Appliance is hot. Use caution when accessing module. See Figure 4.10.

Please contact your Hearth & Home Technologies dealer with any questions or concerns.
 For the location of your nearest Hearth & Home Technologies dealer,
 please visit www.hearthnhome.com.

5 Maintenance and Service

Any safety screen or guard removed for servicing must be replaced prior to operating the appliance.

When properly maintained, your appliance will give you many years of trouble-free service. **Contact your dealer** to answer questions regarding proper operation, troubleshooting and service for your appliance. Visit www.monessenhearth.com to locate a dealer. We recommend annual service by a qualified service technician.

A. Maintenance: Frequency and Tasks

The matrix below is an overview of maintenance tasks to be performed on the appliance. Sections B and C give details and instructions needed to assist the appropriate person in performing the tasks.

Task	Frequency	To be completed by
Surrounds	Annually	Homeowner
Remote Control	Seasonally	
Light Bulbs	As Needed	
Pilot Inspection & Cleaning	Annually	Qualified Service Technician
Log/Crushed Glass Media Inspection	Annually	
Firebox Inspection	Annually	
Control Compartment & Firebox Top	Annually	
Burner Ignition & Operation	Annually	

B. Maintenance Tasks: Homeowner

Installation and repair should be done by a qualified service technician only. The appliance should be inspected before use and at least annually by a professional service person.

The following tasks may be performed annually by the homeowner. If you are uncomfortable performing any of the listed tasks, please call your dealer for a service appointment.

More frequent cleaning may be required due to lint and dust from carpeting, pet dander or other factors. Control compartment, burner and circulating air passageway of the appliance must be kept clean.

CAUTION! Risk of Burns! The appliance should be turned off and cooled before servicing.

Surrounds

Frequency: Annually

By: Homeowner

Tools needed: Protective gloves, stable work surface

- Assess condition of screen and replace as necessary.
- Inspect for scratches, dents or other damage and replace as necessary.
- Vacuum and dust surfaces.

Remote Control

Frequency: Seasonally

By: Homeowner

Tools needed: Replacement batteries and remote control instructions.

- Locate remote control transmitter.
- Verify operation of remote. Refer to remote control operation instructions for proper calibration and setup procedure.
- Replace batteries as needed in remote transmitters.
- Place remote control out of reach of children.

If not using your appliance for an extended period of time (summer months, vacations/trips, etc), to prevent unintended operation:

- Remove batteries from remote controls.
- Unplug 6 volt adapter plug on IPI models.

C. Maintenance Tasks: Qualified Service Technician

The following tasks must be performed by a qualified service technician.

Pilot

Frequency: Annually

By: Qualified Service Technician

Tools needed: Small soft brush, pipe cleaner

- Inspect and remove dust, spider webs and lint
- Gently run pipe cleaner through air intake port

Firebox

Frequency: Annually

By: Qualified Service Technician

Tools needed: Protective gloves, sandpaper, steel wool, cloths, mineral spirits, primer and touch-up paint.

- Inspect for paint condition, warped surfaces, corrosion or perforation. Sand and repaint as necessary.
- Replace appliance if firebox has been perforated.

Control Compartment and Firebox Top

Frequency: Annually

By: Qualified Service Technician

Tools needed: Protective gloves, vacuum cleaner, dust cloths

- Vacuum and wipe out dust, cobwebs, debris or pet hair. Use caution when cleaning these areas. Screw tips that have penetrated the sheet metal are sharp and should be avoided.
- Remove all foreign objects.
- Verify unobstructed air circulation.

Accessing the LEDs

1. Turn off gas supply and disconnect main power to appliance before performing any maintenance.
 2. Remove glass deflection shield and place on a clean flat surface.
 3. Remove all crushed glass media from hearth surface.
 4. Remove screen to access LED strips inside the LED channels.
- Make sure LED strips are clear of any debris.
 - If removing the LED strips simply peel from LED channels. Make sure channels are clear before placing new LED strips with self adhesive into the channels.
 - To clean the LED strips, use a damp cloth and carefully wipe the strips. **NOTE:** The channel is sharp and contains screws extruding into the channel.

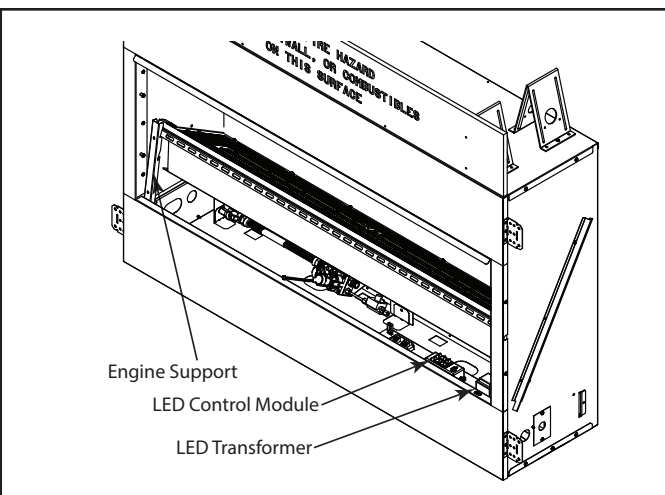


Figure 5.1 LED Access

Burner Ignition and Operation

Frequency: Annually

By: Qualified Service Technician

Tools needed: Protective gloves, vacuum cleaner, whisk broom, flashlight, voltmeter, indexed drill bit set, and a manometer.

- Verify burner is properly secured and aligned with pilot or igniter.
- Clean off burner top, inspect for plugged ports, corrosion or deterioration. Replace burner if necessary.
- Inspect for lifting or other flame problems.
- Inspect orifice for soot, dirt and corrosion. Verify orifice size is correct. See Service Parts List for proper orifice sizing.
- Verify manifold and inlet pressures. Adjust regulator as required.
- Inspect pilot flame pattern and strength. See Figure 5.2 and 5.3 for proper pilot flame pattern. Clean or replace orifice spud as necessary.
- Verify IPI millivolt output. Replace as necessary.
- Verify that there is not a short in flame sense circuit by checking continuity between pilot hood and flame sensing rod. Replace pilot as necessary.

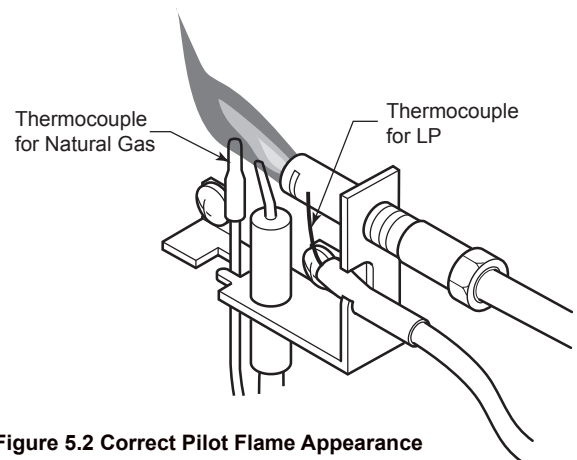


Figure 5.2 Correct Pilot Flame Appearance

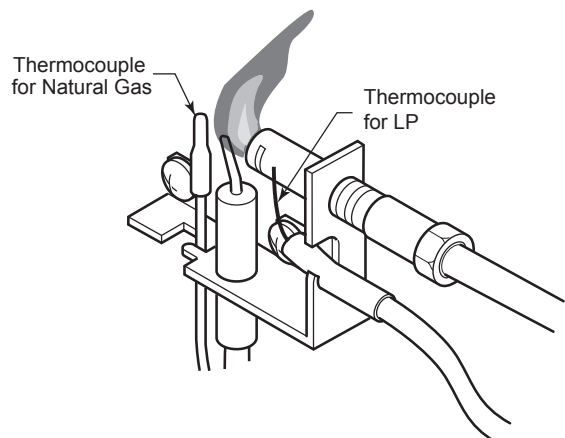


Figure 5.3 Incorrect Pilot Flame Appearance

6 Frequently Asked Questions and Troubleshooting

A. Frequently Asked Questions

ISSUE	SOLUTION
Odor from appliance	When first operated, this appliance may release an odor for the first several hours. This is caused by the burning off of any oils remaining from manufacturing or from finishing materials or adhesives used around the appliance during installation. Follow the Initial Use instructions on page 14. Odor may also come from dust, pet dander, deodorizing room sprays and other foreign debris that collects on the surface of the burner and crushed glass media when the unit is not in use for an extended period of time. To avoid odors cause by these substances, have your qualified service technician thoroughly inspect and clean your appliance prior to the first use of each season.
Metallic noise	No action is necessary. Noise is cause by metal expanding and contracting as it heats up and cools down, similar to the sound produced by a furnace or heating duct. This noise does not affect the operation or longevity of the appliance.
Wall above appliance feels hot to the touch	No action is necessary. This appliance ships with a non-combustible material. Specifications of the non-combustible material are listed in the Installer's Manual for this appliance.

Contact your dealer for additional information regarding operating and troubleshooting. Visit www.monessenhearth.com to locate a dealer.

B. Troubleshooting

With proper installation, operation and maintenance your gas appliance will provide years of trouble-free service. If you do experience a problem, this troubleshooting guide will assist a qualified service technician in the diagnosis of a problem and the corrective action to be taken. This troubleshooting guide can only be used by a qualified service technician. Contact a dealer to arrange a service call by a qualified service technician.

IntelliFire Plus™ ODS Ignition System

SYMPTOM	POSSIBLE CAUSE	CORRECTIVE ACTION
Pilot won't light. The ignition/module makes noise, but no spark.	Incorrect wiring	Verify "S" wire (orange) for igniter are connected to correct terminals on module and pilot assembly.
	Loose connections or electrical shorts in the wiring.	Verify no loose connections or electrical shorts in wiring from module to pilot assembly. Verify connections underneath pilot assembly are tight; also verify igniter and flame sense wires are not grounding out to metal chassis, pilot burner, pilot enclosure, mesh screen if present, or any other metal object.
	Igniter gap is too large	Verify gap of igniter to right side of pilot hood. The gap should be approximately .17 in. or 1/8 in. (3 mm).
Pilot won't light. There is no noise or spark.	No power, transformer installed incorrectly.	Verify that transformer is installed and plugged into module. Check voltage of transformer at connection to module. Acceptable readings of a good transformer are between 6.4-6.6 DC. If below 4V replace batteries.
	A shorted or loose connection in wiring configuration or wire harness.	Remove and reinstall the wiring harness that plugs into module. Verify there is a tight fit. Verify pilot assembly wiring to module. Remove and verify continuity of each wire in wiring harness. Replace any damaged components.
	Junction box wiring	Verify that 110-120 VAC power is "ON" to junction box.
	Module not grounded	Verify black ground wire from module wire harness is grounded to metal chassis of appliance.
	Control module is locked out.	Reset the control module using the reset switch in the lower front face. See Figure 4.10.

IntelliFire Plus™ ODS Ignition System *(Continued)*

Pilot sparks, but will not light.	Gas supply.	Verify that incoming gas line ball valve is “open”. Verify that inlet pressure reading is within acceptable limits.
	Igniter gap is too large.	Verify gap of igniter to right side of pilot hood. The gap should be approximately .17 in. or 1/8 in. (3 mm).
	Module is not grounded.	Verify module is securely grounded to metal chassis of appliance.
	Pilot valve solenoid	Verify that 1.5 to 1.8 VDC is supplied to pilot solenoid from module. If below 1.5 volts, replace module. If 1.5 volts or greater, replace valve.
Pilot lights but continues to spark, and burner will not ignite. (If the pilot continues to spark after the pilot flame has been lit, flame rectification has not occurred.)	A short or loose connection in flame sensing rod.	Verify all connections to wiring diagram in manual. Verify connections underneath pilot assembly are tight. Verify connections are not grounding out to metal chassis, pilot burner, pilot enclosure or screen if present, or any other metal object.
	Poor flame rectification or contaminated flame sensing rod.	Verify correct pilot orifice is installed and gas inlet is set to pressure specifications. Check pilot for soot. Clean if necessary.
	Module is not grounded.	Verify module is securely grounded to metal chassis of appliance. Verify that wire harness is firmly connected to the module.
	Damaged pilot assembly or contaminated flame sensing rod	Verify that ceramic insulator around the flame sensing rod is not cracked, damaged, or loose. Verify connection from flame sensing rod to white sensor wire. Polish flame sensing rod with fine steel wool to remove any contaminants that may have accumulated on flame sensing rod. Verify continuity with a multimeter with ohms set at lowest range. Replace pilot if any damage is detected.
Module	Turn wall control to OFF position. Remove igniter wire “I” from module. Turn wall control to ON position. If there is no spark at “I” terminal module must be replaced. If there is a spark at “I” terminal, module is fine.	

C. Troubleshooting – Screen/LEDs/Control Panel

SYMPTOM	POSSIBLE CAUSE	CORRECTIVE ACTION
LED lights will not turn on (appliance or control panel)	No AC power to appliance	Check that GFCI breaker is operating as intended and is not tripped. Verify that AC power has been connected to the appliance. Ensure that both the 4V IPI control module power supply as well as the LED power supply are securely plugged into the appliance junction box.
	Faulty wiring	Check appliance for loose/corroded connections or shorted wires.
	LED failure	Check for 12VDC from power supply. If 12VDC is present, LED strip is bad.
	Power supply failure	Check for 12VDC. If no 12VDC is present, power supply is bad
	Control panel failure	Replace switch assembly
Appliance does not turn on when control panel on/off switch is depressed	No AC power to appliance	Check that GFCI breaker is operating as intended and is not tripped. Verify that AC power has been connected to the appliance. Ensure that both the 6V IPI control module power supply as well as the LED power supply are securely plugged into the appliance junction box.
	Faulty wiring	Check appliance for loose/corroded connections or shorted wires.
	Control panel failure	Replace control panel

7 Reference Materials

A. Accessories

Install approved accessories per instructions included with accessories. Contact your dealer for a list of approved accessories.

WARNING! Risk of Fire and Electric Shock! Use ONLY Hearth & Home Technologies-approved optional accessories with this appliance. Using non-listed accessories could result in a safety hazard and will void the warranty.

- **Crushed Glass Media**

- Diamond
- Bronze
- Onyx
- Sapphire

- **42" LED Light Kit (AVFL42LED)**

LED light kit for AVFL42 that includes a wall switch for the appliance

- **Driftwood Log Set (CDLS)**

Driftwood log set (3 logs for AVFL42 and AVFL48, 4 logs for AVFL60)

- **Optional Finish Kits**

The AVFL appliances have three optional finish kits for each appliance size

- AVFL42TKI-B, AVFL48TKI, AVFL60TKI-B - Black inside fit trim kit
- AVFL42CFVC, AVFL48CFVC, AVFL60CFVC-B - Contemporary veined copper face
- AVFL42CFSB, AVFL48CFSB, AVFL60CFSB - Contemporary satin black face

- **Optional Stone Kit (STONEKIT)**

-The look of water tumbled stones adds interest and appeal to your appliance.

- **Outdoor Kit for AVFLST48 (AVFLST48SSODK)**

- **Black Magic Glass Kit for AVFL42 (AVFL42BGL)**

► B. Service Parts



Service Parts

ARTISAN

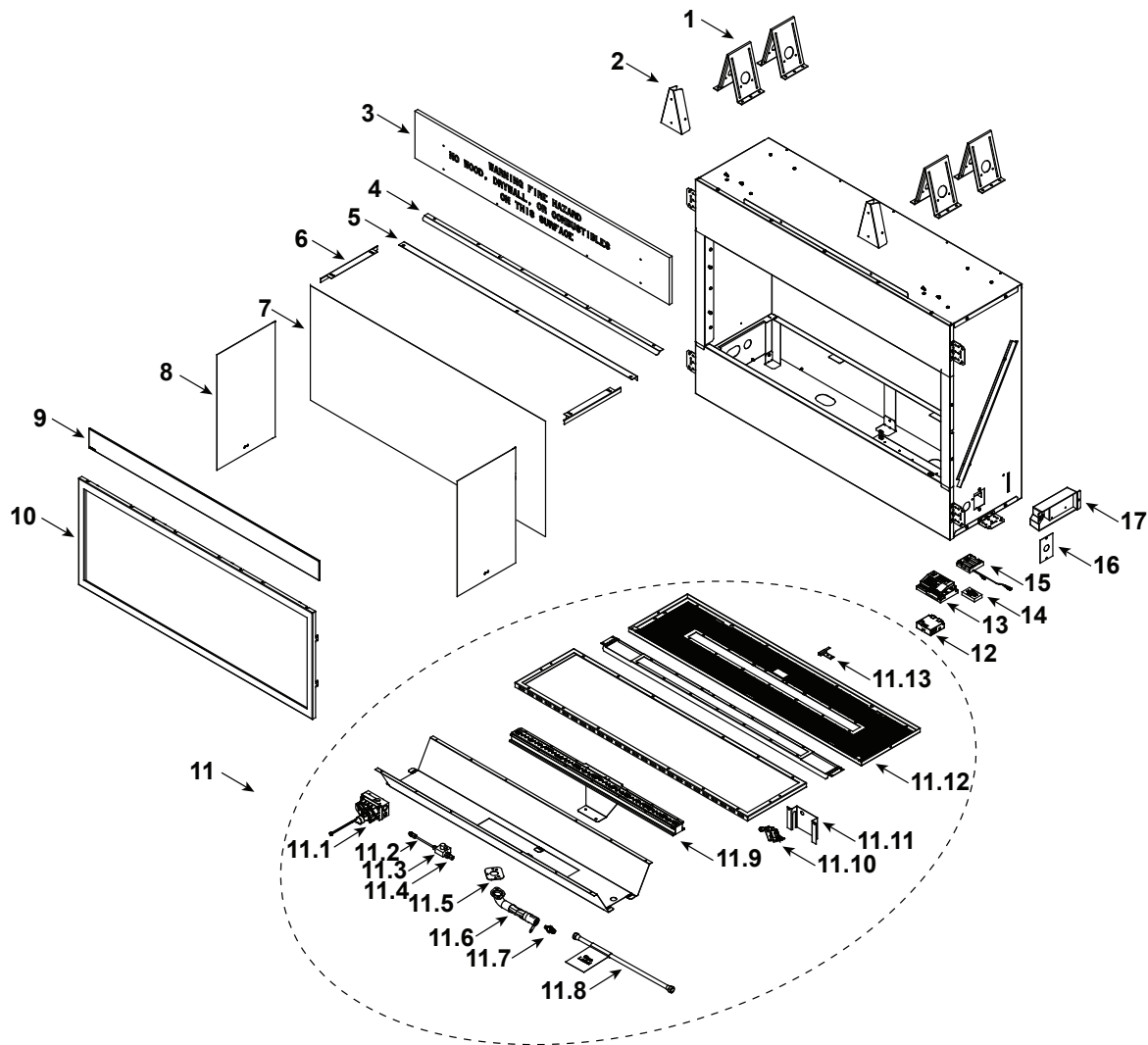
Beginning Manufacturing Date: April 2021

Ending Manufacturing Date: Active

42" Artisan Vent Free Linear Fireplace

AVFL42NIP-BU
AVFL42PIP-BU

AVFL42NIP-RB
AVFL42PIP-RB



Part number list on following page.

03/23



Beginning Manufacturing Date: April 2021
Ending Manufacturing Date: Active

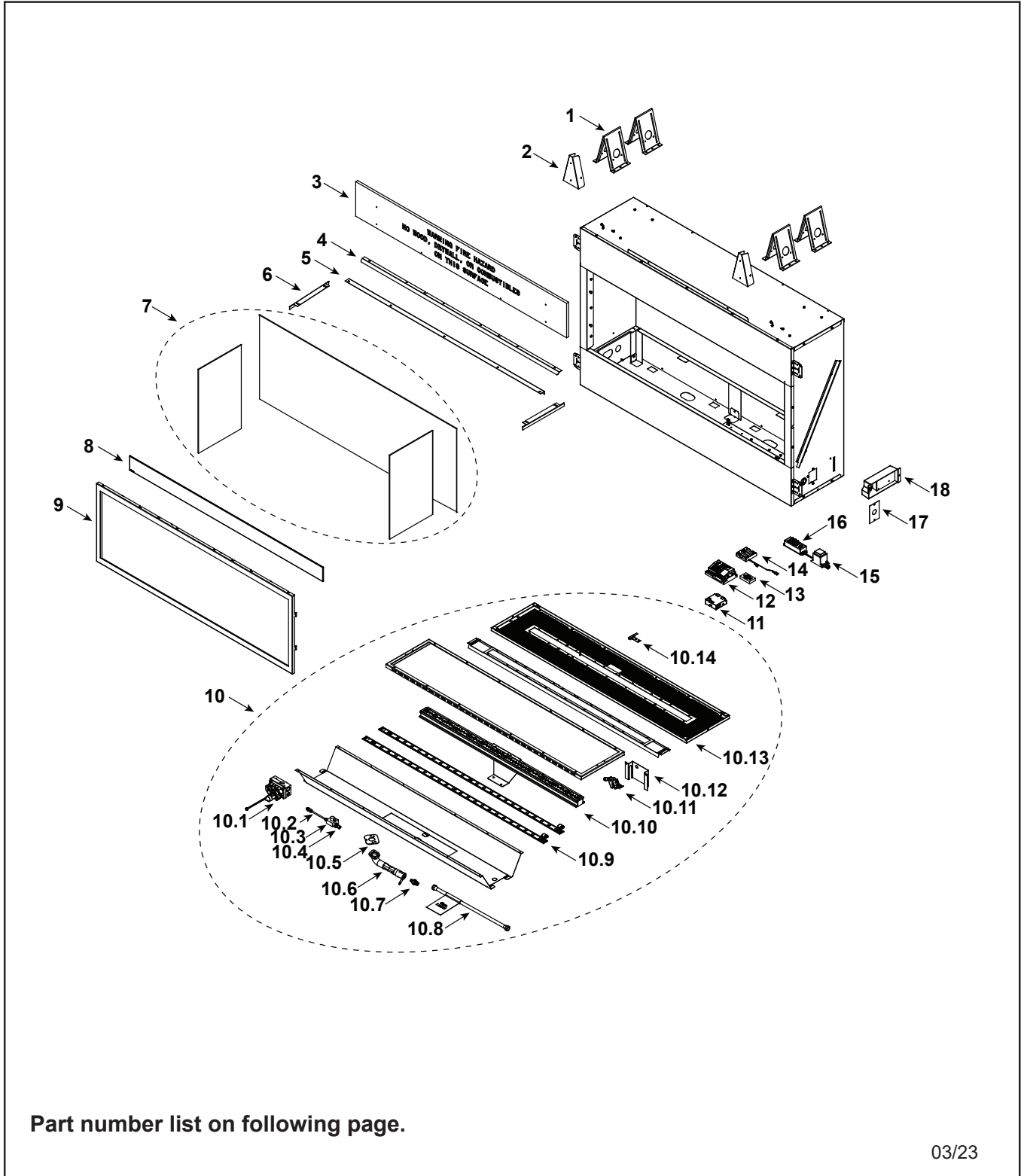
IMPORTANT: THIS IS DATED INFORMATION. Parts must be ordered from a dealer or distributor. **Hearth and Home Technologies does not sell directly to consumers.** Provide model number and serial number when requesting service parts from your dealer or distributor.



Stocked at Depot

ITEM	DESCRIPTION	COMMENTS	PART NUMBER	Stocked at Depot
1	Top Standoff	Qty 4 req	118641	
2	Bracket	Qty 2 req	SRV4099-198	
3	Non-combustible Board		SRV4115-325	
4	Hood		SRV4115-135	
5	Panel Bracket (Back)		SRV4115-195	
6	Panel Bracket (Sides)	Qty 2 req	SRV4099-196	
7	Back Panel		SRV4115-170	Y
8	Side Panel	Qty 2 req	SRV4115-171	Y
9	Deflection Glass		SRV4115-301	Y
10	Frame & Screen Assembly		SRV4115-029	Y
	Flex Line w/Shutoff		SRV69D0030	Y
11	Complete Service Engine	AVFL42NIP-RB	SRV4115-015	
		AVFL42PIP-RB	SRV4115-016	
		AVFL42NIP-BU	SRV4120-015	
		AVFL42PIP-BU	SRV4120-016	
11.1	Valve Assembly	NG	SRV4604-300	Y
		Propane	SRV4604-301	Y
11.2	Tube, 3/16 Pilot (Cut into 2 lengths, for regulator to valve & pilot to regulator)		SRV20304115	Y
11.3	Pilot Regulator		SRV14D0469	Y
11.4	Fitting, 3/16 Tube x 1/8 NPT	Qty 2 req	SRV20H0109	Y
11.5	Venturi Gasket		SRV45D0032	Y
11.6	Venturi Assembly	NG	SRV4099-034	Y
		Propane	SRV4099-033	Y
11.7	Orifice Flare .0960 (#41) NG	AVFL42NIP-RB	SRV4018-353	Y
	Orifice Flare .0595 (#53) Propane	AVFL42PIP-RB	SRV4018-352	Y
	Orifice Flare .1110 (#34) NG	AVFL42NIP-BU	SRV4018-390	Y
	Orifice Flare .0700 (#50) Propane	AVFL42PIP-BU	SRV4018-375	Y
11.8	Flex Gas Line, 16"		SRV4121-006	
11.9	Burner Assembly		SRV4115-021	Y
11.1	Pilot Assembly	NG	SRV26D2529	Y
		Propane	SRV14D0476	Y
11.11	Pilot Shield		SRV4099-141	
11.12	Screen Cover		SRV4115-109	
11.13	Pilot Carry Over		SRV4099-143	
	Piezo Wire Assembly		20303256K	Y
	Remote RC300-MON-VFL		SRV4018-149	
	Reset Switch (Pre #MP099004005 must also order SRV4099-138 mounting bracket)		2206-298	Y
	Reset Switch Wire		SRV2326-135	Y
	Reset Switch Bracket		SRV4099-138	

Additional service part numbers appear on following page.





Service Parts

AVFL48NIP, AVFL48PIP

Beginning Manufacturing Date: April 2021
Ending Manufacturing Date: Active

IMPORTANT: THIS IS DATED INFORMATION. Parts must be ordered from a dealer or distributor. **Hearth and Home Technologies does not sell directly to consumers.** Provide model number and serial number when requesting service parts from your dealer or distributor.



Stocked at Depot

ITEM	DESCRIPTION	COMMENTS	PART NUMBER	Stocked at Depot
1	Top Standoff	Qty 4 req	11864I	
2	Bracket	Qty 2 req	SRV4099-198	
3	Non-combustible Board		SRV4099-325	
4	Hood		SRV4099-135	
5	Black Glass Bracket (Back)		SRV4099-195	
6	Black Glass Bracket (Sides)	Qty 2 req	SRV4099-196	
7	Black Glass Assembly (Includes Back & 2 Sides)		SRV4099-025	Y
8	Deflection Glass		SRV4111-301	Y
9	Frame & Screen Assembly		SRV4099-029	Y
	Flex Line w/Shutoff		SRV69D0030	Y
10	Complete Service Engine	NG	SRV4099-015	
		Propane	SRV4099-016	
10.1	Valve Assembly	NG	SRV4604-300	Y
		Propane	SRV4604-301	Y
10.2	Tube, 3/16 Pilot (Cut into 2 lengths, for regulator to valve & pilot to regulator)		SRV20304115	Y
10.3	Pilot Regulator		SRV14D0469	Y
10.4	Fitting, 3/16 Tube x 1/8 NPT	Qty 2 req	SRV20H0109	Y
10.5	Venturi Gasket		SRV45D0032	Y
10.6	Venturi Assembly	NG	SRV4099-034	Y
		Propane	SRV4099-033	Y
10.7	Orifice Flare .120 (#31) NG	NG	SRV4018-345	Y
	Orifice Flare .076 (#48) Propane	Propane	SRV4018-349	Y
10.8	Flex Gas Line, 16"		SRV4121-006	
10.9	LED Light Strip	Qty 2 req	SRV4099-321	Y
10.10	Burner Assembly		SRV4099-021	Y
10.11	Pilot Assembly	NG	SRV26D2529	Y
		Propane	SRV14D0476	Y
10.12	Pilot Shield		SRV4099-141	
10.13	Screen Cover		SRV4099-109	
10.14	Pilot Carry Over		SRV4099-143	
	Piezo Wire Assembly		20303256K	Y
11	Thermocouple Module		SRV4018-064	Y
	Wiring Harness, Thermocouple Module		SRV20301890	Y
12	Module, IPI 30 Black		2166-338	Y
13	ODS Adapter Box		SRV4604-302	Y
	Wiring Harness, ODS Box to Adapter Box		SRV4604-304	Y
	Wiring Harness, 8K-1 Adapter Box		SRV4604-305	Y
	Reset Switch (Pre #MP099003999 must also order SRV4099-138 mounting bracket)		2206-298	Y
	Reset Switch Wire		SRV2326-135	Y
	Reset Switch Bracket		SRV4099-138	

Additional service part numbers appear on following page.

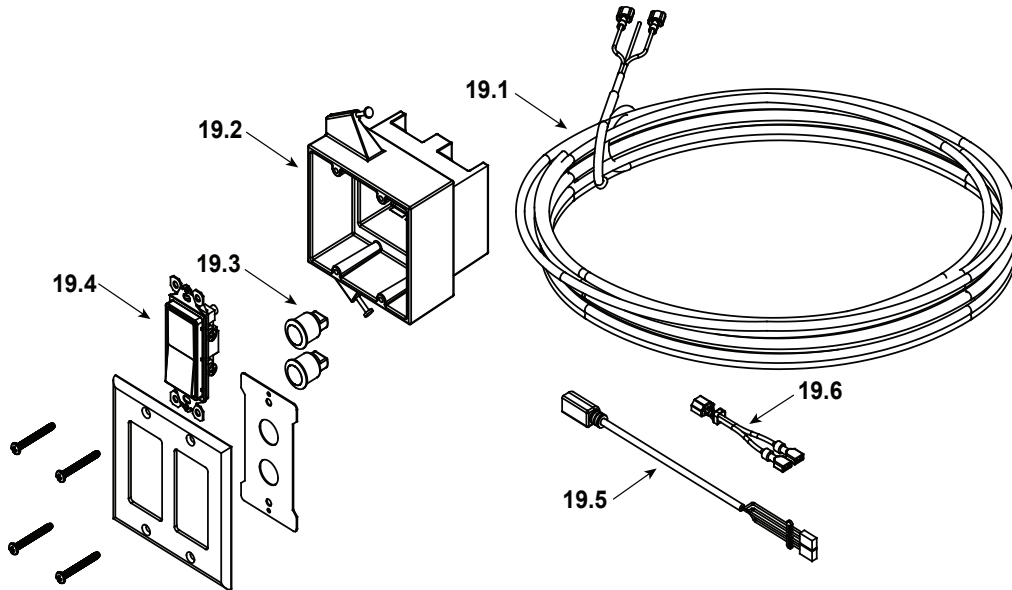
IMPORTANT: THIS IS DATED INFORMATION. Parts must be ordered from a dealer or distributor. **Hearth and Home Technologies does not sell directly to consumers.** Provide model number and serial number when requesting service parts from your dealer or distributor.



**Stocked
at Depot**

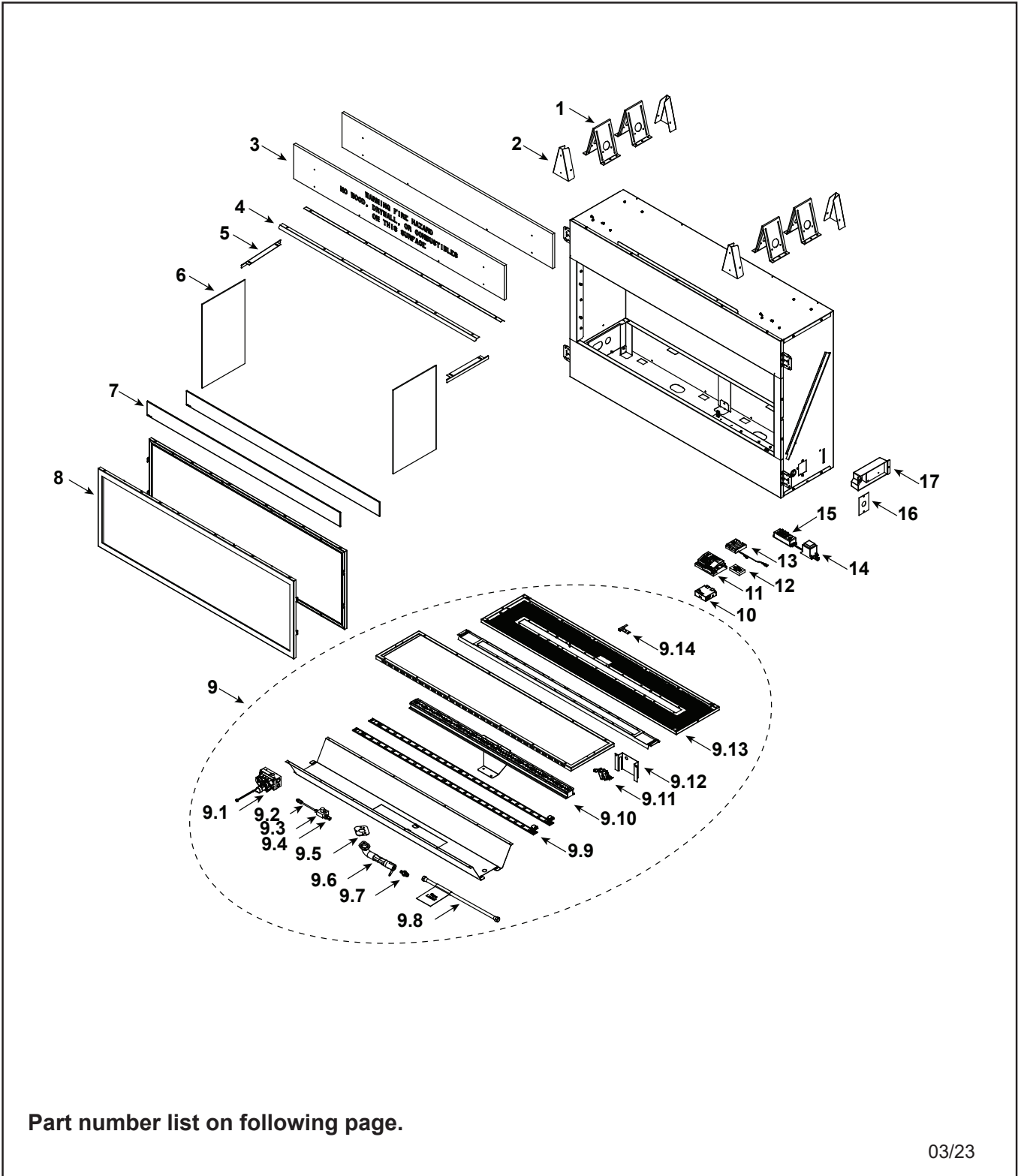
ITEM	DESCRIPTION	COMMENTS	PART NUMBER	
14	Battery Pack		SRV2166-323	Y
	Transformer, 6 Volt Wall		SRV2326-131	Y
	Harness, IFT 6 Pin Wiring		SRV2326-132	Y
15	LED Transformer		20308559K	
16	LED Control Module		SRV4121-160	Y
	LED Adapter	Qty 2 req	SRV4018-114	
17	Cover Plate		SRV4604-103	Y
18	Junction Box		SRV4021-013	Y
	Remote RC300-MON-VFL		SRV4018-149	

#19 IPI Wall Kit



19	IPI Wall Kit		SRV4099-023	
19.1	Thermostat Wire		SRV2118-170	Y
19.2	Outlet Box		SRV4021-117	Y
19.3	LED Panel Switch	Qty 2 req	20308586K	
19.4	Wall Switch		20304686K	
19.5	Input Cable		20308587K	
19.6	Jumper Wire		SRV2187-198	Y

48" See-Through Artisan Vent Free Linear Fireplace



Part number list on following page.



IMPORTANT: THIS IS DATED INFORMATION. Parts must be ordered from a dealer or distributor. **Hearth and Home Technologies does not sell directly to consumers.** Provide model number and serial number when requesting service parts from your dealer or distributor.



Stocked at Depot

ITEM	DESCRIPTION	COMMENTS	PART NUMBER	Stocked at Depot
1	Top Standoff	Qty 4 req	11864I	
2	Bracket	Qty 4 req	SRV4099-198	
3	Non-combustible Board	Qty 2 req	SRV4099-325	
4	Hood	Qty 2 req	SRV4099-135	
5	Black Glass Bracket (Sides)	Qty 2 req	SRV4099-196	
6	Black Glass Assembly (Includes 2 Sides)		SRV4102-025	Y
7	Deflection Glass	Qty 2 req	SRV4111-301	Y
8	Frame & Screen Assembly	Qty 2 req	SRV4099-029	Y
	Flex Line w/Shutoff		SRV69D0030	Y
9	Complete Service Engine	NG	SRV4099-015	
		Propane	SRV4099-016	
9.1	Valve Assembly	NG	SRV4604-300	Y
		Propane	SRV4604-301	Y
9.2	Tube, 3/16 Pilot (Cut into 2 lengths, for regulator to valve & pilot to regulator)		SRV20304115	Y
9.3	Pilot Regulator		SRV14D0469	Y
9.4	Fitting, 3/16 Tube x 1/8 NPT	Qty 2 req	SRV20H0109	Y
9.5	Venturi Gasket		SRV45D0032	Y
9.6	Venturi Assembly	NG	SRV4099-034	Y
		Propane	SRV4099-033	Y
9.7	Orifice Flare .120 (#31) NG	NG	SRV4018-345	Y
	Orifice Flare .076 (#48) Propane	Propane	SRV4018-349	Y
9.8	Flex Gas Line, 16"		SRV4121-006	
9.9	LED Light Strip	Qty 2 req	SRV4099-321	Y
9.10	Burner Assembly		SRV4099-021	Y
9.11	Pilot Assembly	NG	SRV26D2529	Y
		Propane	SRV14D0476	Y
9.12	Pilot Shield		SRV4099-141	
9.13	Screen Cover		SRV4099-109	
9.14	Pilot Carry Over		SRV4099-143	
	Piezo Wire Assembly		20303256K	Y
10	Thermocouple Module		SRV4018-064	Y
	Wiring Harness, Thermocouple Module		SRV20301890	Y
11	Module, IPI 30 Black		2166-338	Y
12	ODS Adapter Box		SRV4604-302	Y
	Wiring Harness, ODS Box to Adapter Box		SRV4604-304	Y
	Wiring Harness, 8K-1 Adapter Box		SRV4604-305	Y
	Reset Switch (Pre #MP099004202 must also order SRV4099-138 mounting bracket)		2206-298	Y
	Reset Switch Wire		SRV2326-135	Y
	Reset Switch Bracket		SRV4099-138	

Additional service part numbers appear on following page.

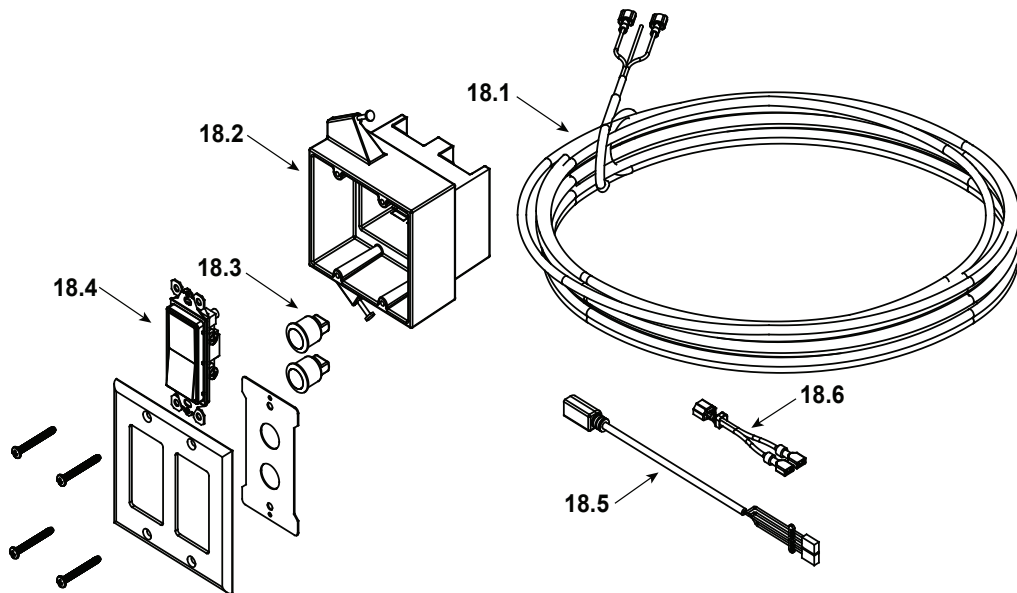
IMPORTANT: THIS IS DATED INFORMATION. Parts must be ordered from a dealer or distributor. **Hearth and Home Technologies does not sell directly to consumers.** Provide model number and serial number when requesting service parts from your dealer or distributor.



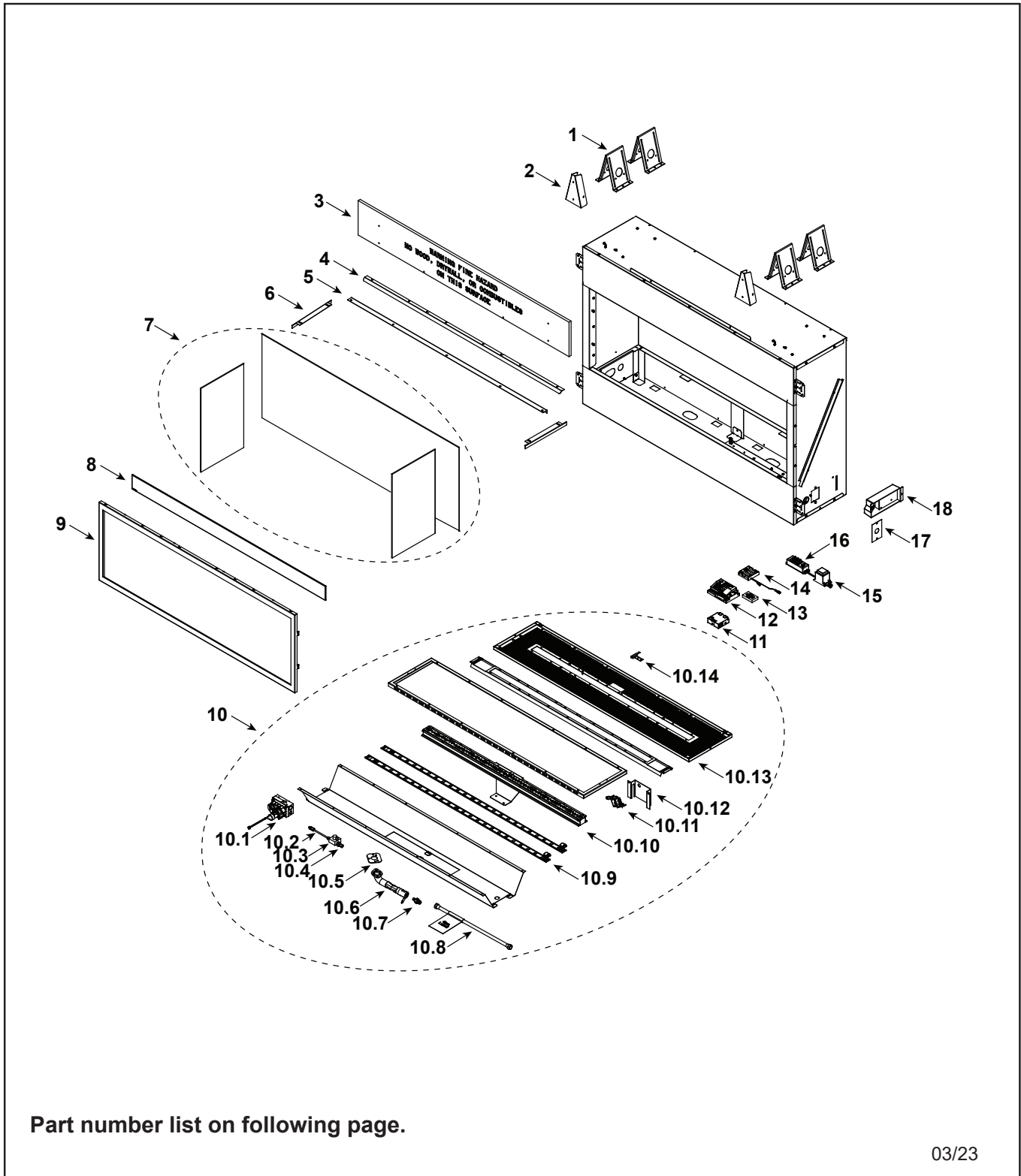
**Stocked
at Depot**

ITEM	DESCRIPTION	COMMENTS	PART NUMBER	
13	Battery Pack		SRV2166-323	Y
	Transformer, 6 Volt Wall		SRV2326-131	Y
	Harness, IFT 6 Pin Wiring		SRV2326-132	Y
14	LED Transformer		20308559K	
15	LED Control Module		SRV4121-160	Y
	LED Adapter	Qty 2 req	SRV4018-114	
16	Cover Plate		SRV4604-103	Y
17	Junction Box		SRV4021-013	Y
	Remote RC300-MON-VFL		SRV4018-149	

#18 IPI Wall Kit



18	IPI Wall Kit		SRV4099-023	
18.1	Thermostat Wire		SRV2118-170	Y
18.2	Outlet Box		SRV4021-117	Y
18.3	LED Panel Switch	Qty 2 req	20308586K	
18.4	Wall Switch		20304686K	
18.5	Input Cable		20308587K	
18.6	Jumper Wire		SRV2187-198	Y





IMPORTANT: THIS IS DATED INFORMATION. Parts must be ordered from a dealer or distributor. **Hearth and Home Technologies does not sell directly to consumers.** Provide model number and serial number when requesting service parts from your dealer or distributor.



Stocked at Depot

ITEM	DESCRIPTION	COMMENTS	PART NUMBER	Stocked at Depot
1	Top Standoff	Qty 4 req	11864I	
2	Bracket	Qty 2 req	SRV4099-198	
3	Non-combustible Board		SRV4101-325	
4	Hood		SRV4101-135	
5	Black Glass Bracket (Back)		SRV4101-195	
6	Black Glass Bracket (Sides)	Qty 2 req	SRV4099-196	
7	Black Glass Assembly (Includes Back & 2 Sides)		SRV4101-025	Y
8	Deflection Glass		SRV4112-301	Y
9	Frame & Screen Assembly		SRV4101-029	Y
	Flex Line w/Shutoff		SRV69D0030	Y
10	Complete Service Engine	NG	SRV4101-015	
		Propane	SRV4101-016	
10.1	Valve Assembly	NG	SRV4604-300	Y
		Propane	SRV4604-301	Y
10.2	Tube, 3/16 Pilot (Cut into 2 lengths, for regulator to valve & pilot to regulator)		SRV20304115	Y
10.3	Pilot Regulator		SRV14D0469	Y
10.4	Fitting, 3/16 Tube x 1/8 NPT	Qty 2 req	SRV20H0109	Y
10.5	Venturi Gasket		SRV45D0032	Y
10.6	Venturi Assembly	NG	SRV4099-034	Y
		Propane	SRV4099-033	Y
10.7	Orifice Flare .120 (#31) NG	NG	SRV4018-345	Y
	Orifice Flare .076 (#48) Propane	Propane	SRV4018-349	Y
10.8	Flex Gas Line, 16"		SRV4121-006	
10.9	LED Light Strip	Qty 2 req	SRV4101-321	Y
10.10	Burner Assembly		SRV4101-021	Y
10.11	Pilot Assembly	NG	SRV26D2529	Y
		Propane	SRV14D0476	Y
10.12	Pilot Shield		SRV4099-141	
10.13	Screen Cover		SRV4101-109	
10.14	Pilot Carry Over		SRV4099-143	
	Piezo Wire Assembly		20303256K	Y
11	Thermocouple Module		SRV4018-064	Y
	Wiring Harness, Thermocouple Module		SRV20301890	Y
12	Module, IPI 30 Black		2166-338	Y
13	ODS Adapter Box		SRV4604-302	Y
	Wiring Harness, ODS Box to Adapter Box		SRV4604-304	Y
	Wiring Harness, 8K-1 Adapter Box		SRV4604-305	Y
	Reset Switch (Pre #MP099004003 must also order SRV4099-138 mounting bracket)		2206-298	Y
	Reset Switch Wire		SRV2326-135	Y
	Reset Switch Bracket		SRV4099-138	

Additional service part numbers appear on following page.

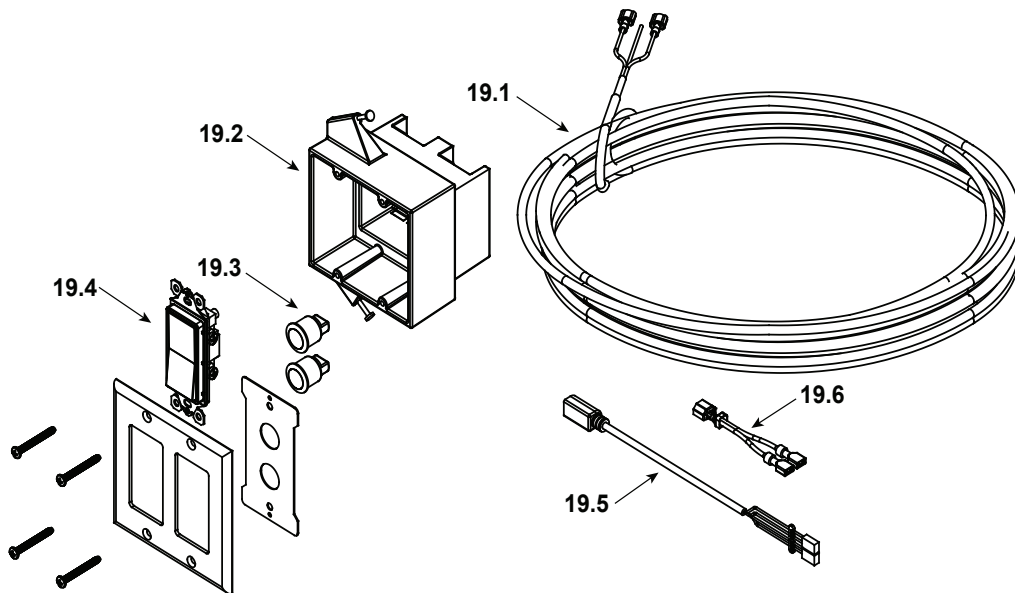
IMPORTANT: THIS IS DATED INFORMATION. Parts must be ordered from a dealer or distributor. **Hearth and Home Technologies does not sell directly to consumers.** Provide model number and serial number when requesting service parts from your dealer or distributor.



Stocked at Depot

ITEM	DESCRIPTION	COMMENTS	PART NUMBER	
14	Battery Pack		SRV2166-323	Y
	Transformer, 6 Volt Wall		SRV2326-131	Y
	Harness, IFT 6 Pin Wiring		SRV2326-132	Y
15	LED Transformer		20308559K	
16	LED Control Module		SRV4121-160	Y
	LED Adapter	Qty 2 req	SRV4018-114	
17	Cover Plate		SRV4604-103	Y
18	Junction Box		SRV4021-013	Y
	Remote RC300-MON-VFL		SRV4018-149	

#19 IPI Wall Kit



19	IPI Wall Kit		SRV4099-023	
19.1	Thermostat Wire		SRV2118-170	Y
19.2	Outlet Box		SRV4021-117	Y
19.3	LED Panel Switch	Qty 2 req	20308586K	
19.4	Wall Switch		20304686K	
19.5	Input Cable		20308587K	
19.6	Jumper Wire		SRV2187-198	Y

C. MASSACHUSETTS RESIDENTS ONLY

Please read and follow these special requirements

NOTE REGARDING VENTED PRODUCTS

This product must be installed by a licensed plumber or gas fitter when installed within the Commonwealth of Massachusetts.

Any residence with a direct vent product must have a carbon monoxide (CO) detector installed in the residence.

Installation of the fireplace or vented gas log in the State of Massachusetts requires the damper to be permanently removed or welded in the fully open position.

In addition, a naturally vented gas log may not be installed in a bedroom or bathroom in the State of Massachusetts.

Flex line installation must not exceed 36 inches and must have a T shutoff valve.

NOTE REGARDING VENT FREE PRODUCTS

This product must be installed by a licensed plumber or gas fitter when installed within the Commonwealth of Massachusetts.

In addition, vent free products may not be installed in a bedroom or bathroom regardless of size or type in the State of Massachusetts.

Flex line installation must not exceed 36 inches and must have a T shutoff valve.

CARBON MONOXIDE DETECTOR REQUIREMENTS

(2) Revise 10.8.3 by adding the following additional requirements:

(a) For all side wall horizontally vented gas fueled equipment installed in every dwelling, building or structure used in whole or in part for residential purposes, including those owned or operated by the Commonwealth and where the side wall exhaust vent termination is less than seven (7) feet above finished grade in the area of the venting, including but not limited to decks and porches, the following requirements shall be satisfied:

1. **Installation of carbon monoxide detectors.** At the time of installation of the side wall horizontal vented gas fueled equipment, the installing plumber or gas fitter shall observe that a hard wired carbon monoxide detector with an alarm and battery back-up is installed on the floor level where the gas equipment is to be installed. In addition, the installing plumber or gas fitter shall observe that a battery operated or hard wired carbon monoxide detector with an alarm is installed on each additional level of the dwelling, building or structure served by the side wall horizontal vented gas fueled equipment. It shall be the responsibility of the property owner to secure the services of qualified licensed professionals for the installation of hard wired carbon monoxide detectors

a. In the event that the side wall horizontally vented gas fueled equipment is installed in a crawl space or an attic, the hard wired carbon monoxide detector with alarm and battery back-up may be installed on the next adjacent floor level.

b. In the event that the requirements of this subdivision can not be met at the time of completion of installation, the owner shall have a period of thirty (30) days to comply with the above requirements; provided, however, that during said thirty (30) day period, a battery operated carbon monoxide detector with an alarm shall be installed.

2. **Approved Carbon Monoxide Detectors.** Each carbon monoxide detector as required in accordance with the above provisions shall comply with NFPA 720 and be ANSI/UL 2034 listed and IAS certified.

3. **Signage.** A metal or plastic identification plate shall be permanently mounted to the exterior of the building at a minimum height of eight (8) feet above grade directly in line with the exhaust vent terminal for the horizontally vented gas fueled heating appliance or equipment. The sign shall read, in print size no less than one-half (1/2) inch in size, "GAS VENT DIRECTLY BELOW. KEEP CLEAR OF ALL OBSTRUCTIONS."

4. **Inspection.** The state or local gas inspector of the side wall horizontally vented gas fueled equipment shall not approve the installation unless, upon inspection, the inspector observes carbon monoxide detectors and signage installed in accordance with the provisions of 248 CMR 5.08(2)(a)1 through 4.

(b) **Exemptions:** The following equipment is exempt from 248 CMR 5.08(2)(a)1 through 4:

1. The equipment listed in Chapter 10 entitled "Equipment Not Required To Be Vented" in the most current edition of NFPA 54 as adopted by the Board; and

2. Product Approved side wall horizontally vented gas fueled equipment installed in a room or structure separate from the dwelling, building or structure used in whole or in part for residential purposes.

(c) **Manufacturer requirements — Gas Equipment Venting System Provided.** When the manufacturer of Product Approved side wall horizontally vented gas equipment provides a venting system design or venting system components with the equipment, the instructions provided by the manufacturer for installation of the equipment and the venting system shall include:

1. Detailed instructions for the installation of the venting system design or the venting system components; and

2. A complete parts list for the venting system design or venting system.

(d) **Manufacturer requirements — Gas Equipment Venting System Not Provided.** When the manufacturer of a Product Approved side wall horizontally vented gas fueled equipment does not provide the parts for venting the flue gases, but identifies "special venting systems," the following requirements shall be satisfied by the manufacturer:

1. The referenced "special venting system" instructions shall be included with the appliance or equipment installation instructions; and

2. The "special venting systems" shall be Product Approved by the Board, and the instructions for that system shall include a parts list and detailed installation instructions.

(e) A copy of all installation instructions for all Product Approved side wall horizontally vented gas fueled equipment, all venting instructions, all parts lists for venting instructions, and/or all venting design

