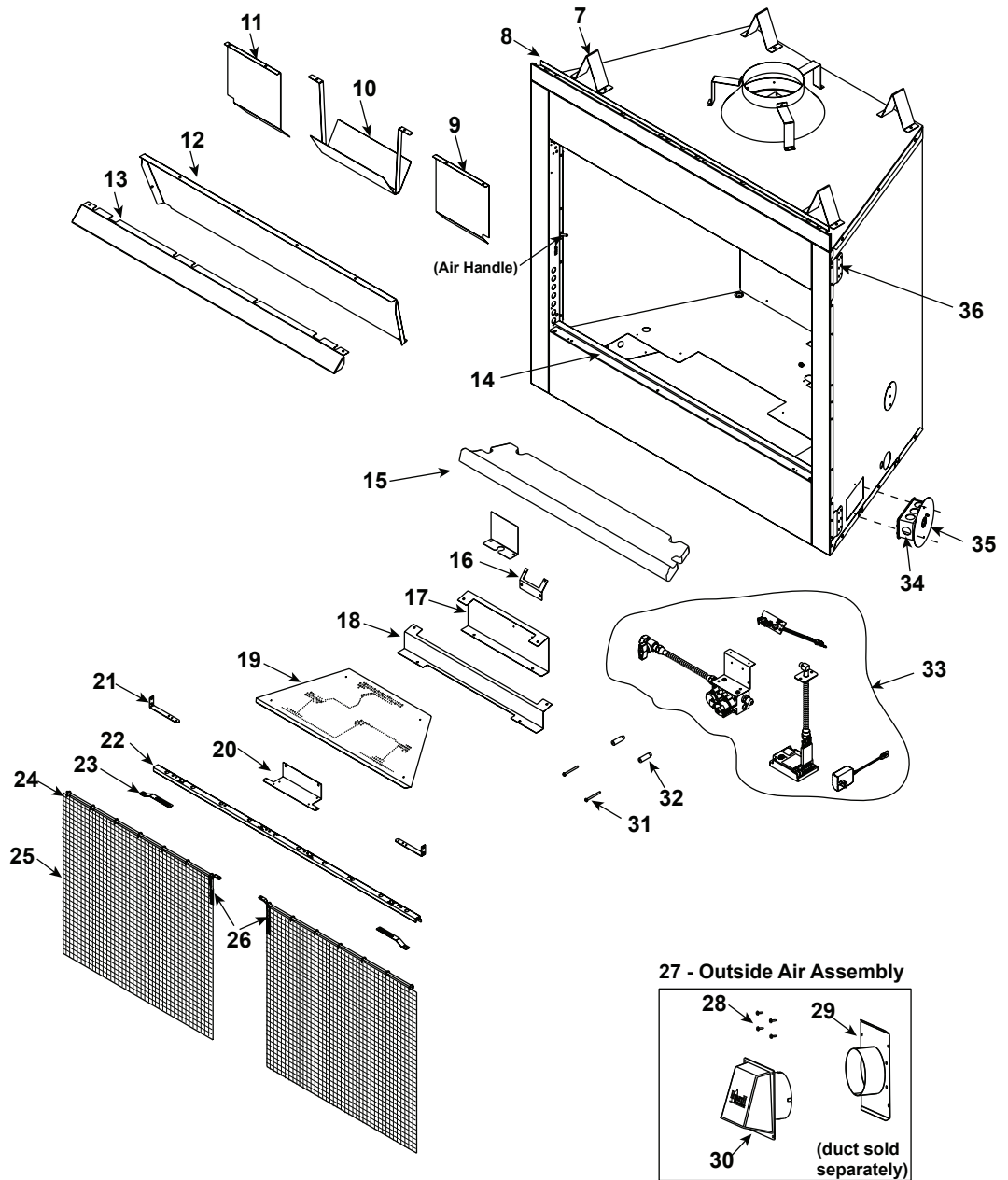
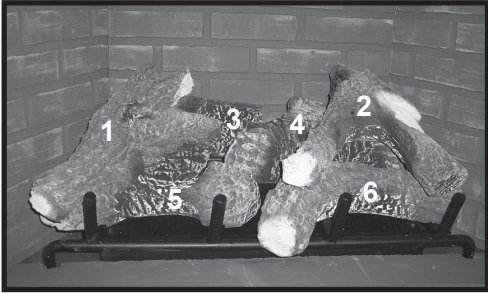


Log Set Assembly



Part number list on following page.

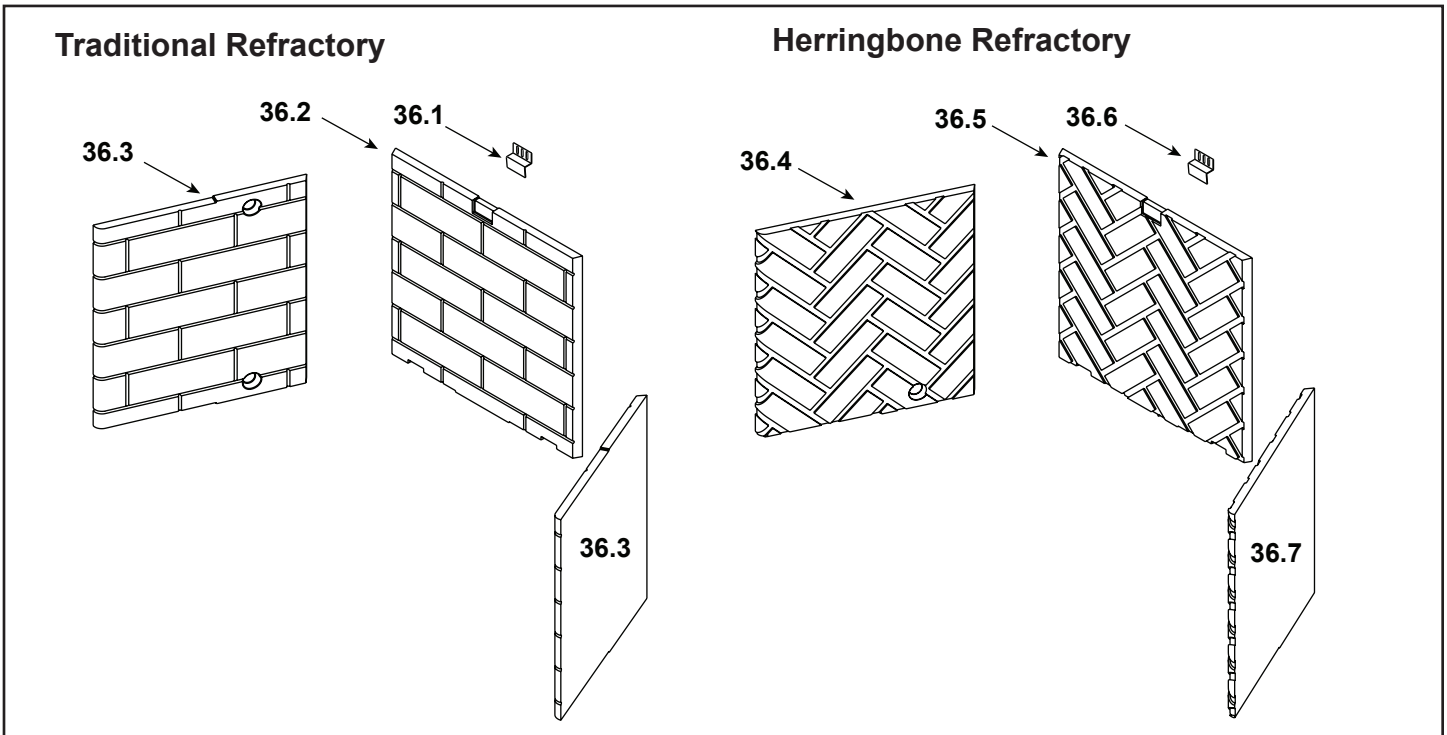
IMPORTANT: THIS IS DATED INFORMATION. Parts must be ordered from a dealer or distributor. **Hearth and Home Technologies does not sell directly to consumers.** Provide model number and serial number when requesting service parts from your dealer or distributor.



**Stocked
at Depot**

ITEM	DESCRIPTION	COMMENTS	PART NUMBER	
	Log Assembly 42"		SRV4048-058	Y
1	Top Left Log	Pre 5/15/16, Must order complete assembly	SRV4048-184	
2	Top Right Log		SRV4048-185	
3	Back Left Log		SRV4048-242	
4	Back Right Log		SRV4048-243	
5	Front Left Log		SRV4048-244	
6	Front Right Log		SRV4048-245	
	Grate Assembly		SRV4048-034	Y
7	Top Standoff	Qty 4 reg	SRV4044-111	
8	Drywall Lip		4048-162	
9	Right Baffle		4048-116	
10	Flue Baffle Assembly		4048-020	
11	Left Baffle		4048-115	
12	Smoke Shield		4048-128	
13	Hood		SRV29576	
14	Hearth Retainer		SRV4044-109	
15	Hearth Refractory		4048-201	
16	Pilot Bracket		4048-136	
17	Back Burner Support		4048-138	
18	Front Burner Support		4048-137	
19	Burner Pan Assembly - NG		4048-024	Y
	Burner Pan Assembly - Propane		4048-025	Y
20	Screen Bracket		4048-169	
21	Upper Door Bracket	Qty 2 reg	SRV4048-142	
22	Door Track		SRV15427	
23	Door Pivot Clip	Qty 2 reg	SRV31527	
24	Firescreen Rod	Qty 2 req	SRV12052	Y
25	Firescreen Assembly	Qty 2 reg	4048-019	
26	Firescreen Handle		SRV10002	
27	Outside Air Assembly		4044-036	Y
28	Fastener Pack		13580	
29	Outside Air Plate Assembly		4044-031	
30	Outside Air Shield		SRV33271	Y
31	Door Pin Screw	Qty 2 reg	SRV4021-384	
32	Door Pin	Qty 2 reg	SRV4021-385	
33	Valve Assembly		Refer to valve page	
34	Junction Box		21878	Y
35	Junction Box cover Plate		4048-234	
36	Nailing Flange	Qty 4 reg	SRV4044-161	
	Surround Replacement Overlay		CUST4018-001	
Reference following parts: Bottom Face (4044-105), Upper Front Face (4048-182), Right Column (4044-104) or Left column (4044-143) CUST4018-001 Must be ordered				

Additional service part numbers appear on following page.



IMPORTANT: THIS IS DATED INFORMATION. Parts must be ordered from a dealer or distributor. **Hearth and Home Technologies does not sell directly to consumers.** Provide model number and serial number when requesting service parts from your dealer or distributor.

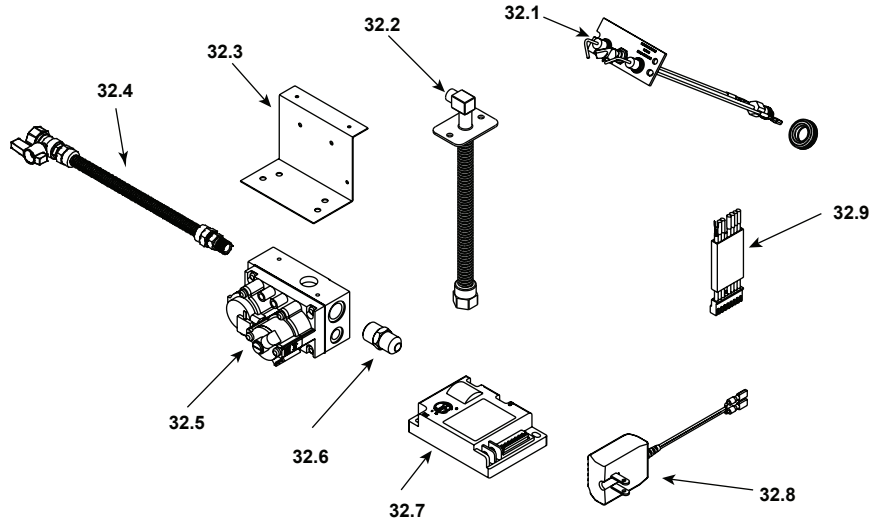


Stocked at Depot

ITEM	DESCRIPTION	COMMENTS	PART NUMBER	
RBV4842 Traditional Refractory				
	Refractory Assembly			
36.1	Refractory Retainer		SRV11847	
36.2	Back Refractory		4048-207	
36.3	Side Refractory	Qty 2 reg	4048-208	
RBV4842 Herringbone Refractory				
	Refractory Assembly			
36.4	Left Side Refractory		SRV4048-205	
36.5	Back Refractory		SRV4048-203	
36.6	Refractory Retainer		SRV11847	
36.7	Right Side Refractory		SRV4048-204	
Additional Parts				
	Damper Kit		DG3	
	Gas Operations Manual		71680	
	Hair Pin Clip		101025/24	Y
	Installation Instructions & Owner's Manual		4048-210	
	Lava Rock Bag Assembly		4040-094	
	Lava Rock		4021-296	
	Mineral Wool		SRV14333	
	Limit Switch		SRV4021-383	Y

Additional service part numbers appear on following page.

#32 Valve Assembly



IMPORTANT: THIS IS DATED INFORMATION. Parts must be ordered from a dealer or distributor. **Hearth and Home Technologies does not sell directly to consumers.** Provide model number and serial number when requesting service parts from your dealer or distributor.



Stocked at Depot

ITEM	DESCRIPTION	COMMENTS	PART NUMBER	
32.1	Pilot Assembly NG		SRV2090-012	Y
	Pilot Assembly Propane		2090-013	Y
32.2	Flexible Bulkhead		SRV7000-156	Y
32.3	Valve Bracket		4048-132	
32.4	Flex Ball Valve Assembly		SRV302-320	Y
32.5	Valve NG		SRV593-500	Y
	Valve Propane		SRV593-501	Y
32.6	Brass Connector - Male - Flex	Pkg of 5	303-315/5	Y
32.7	Control Module		SRV593-592	Y
32.8	3V Adapter		SRV593-593	Y
32.9	Wire Assembly		SRV593-590	Y
	Battery Pack		SRV593-594	Y
	Orifice - .125 C NG		4021-391	Y
	Orifice - #48C Propane		SRV582-848	Y
	Wire Assembly - HIBLK60FM		SRV34937	Y
	Wire Assembly - HIBLU60FF		4018-022	
	Wall Switch Wire Assembly		4018-046	Y
	Propane Gas Conversion Kit		DCKP-RBV	Y
	Natural Gas Conversion Kit		DCKN-RBV	Y