

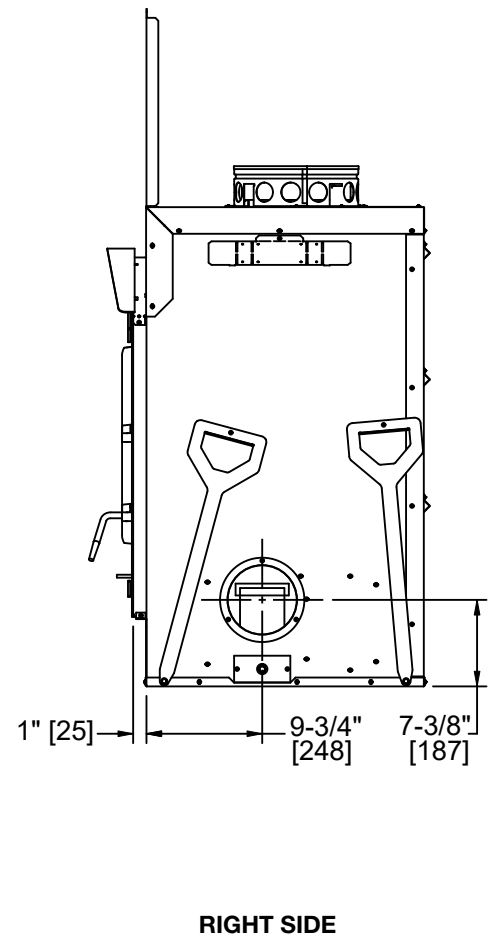
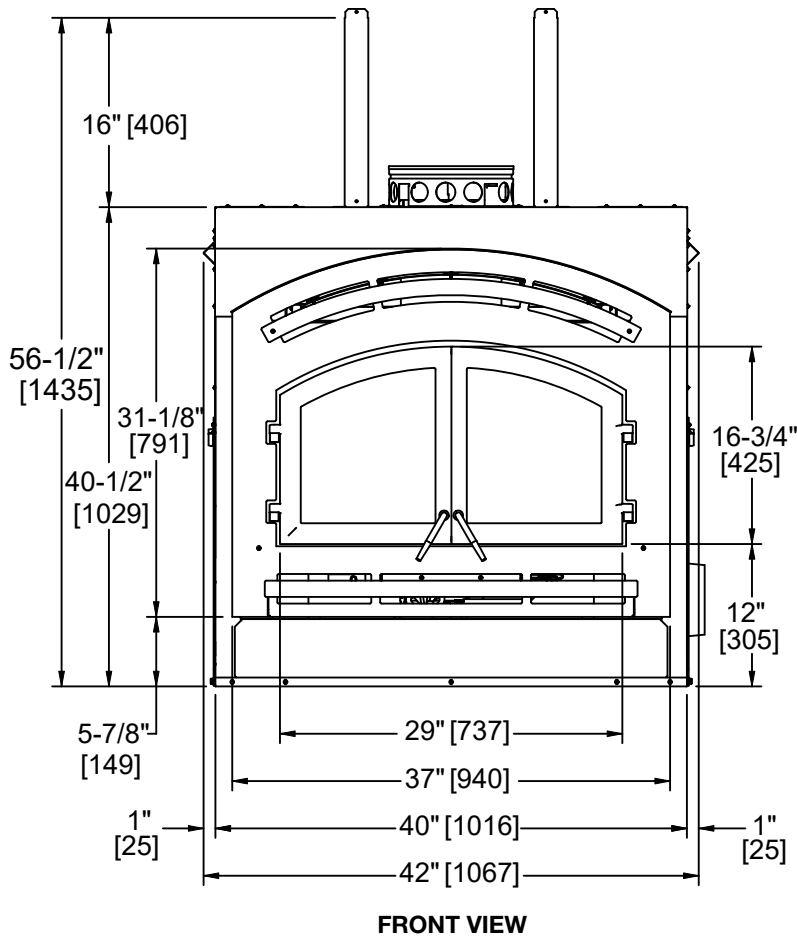
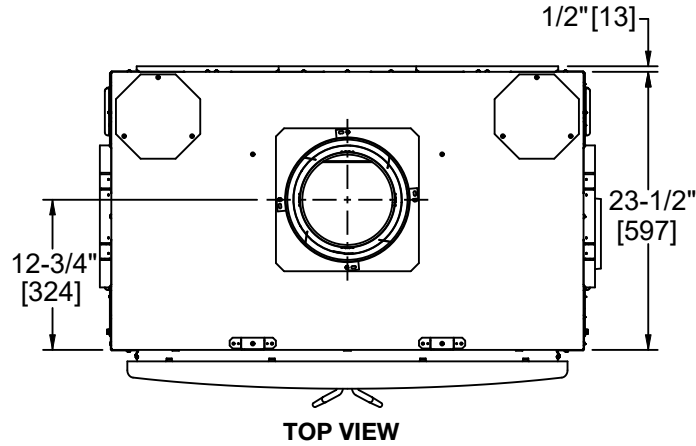
# MAJESTIC

Please consult the manufacturer's installation manual for all details and requirements before making a final design layout decision.

# WARMAJIC II

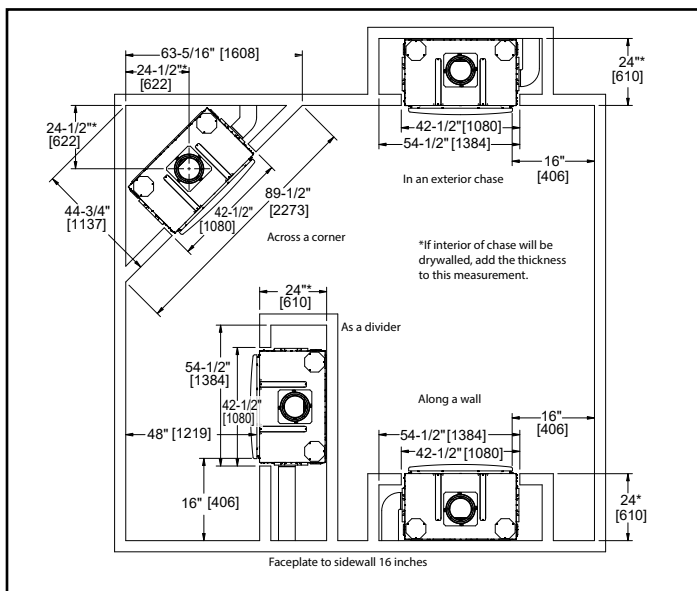
EPA Wood Fireplace

MODEL	HEIGHT		FRONT WIDTH		BACK WIDTH		DEPTH		FIREPLACE OPENING
	ACTUAL	FRAMING	ACTUAL	FRAMING	ACTUAL	FRAMING	ACTUAL	FRAMING	
WARMAJIC II	40-1/2"	56-3/4"	40"	42-1/2"	40"	42-1/2"	23-1/2"	24"*	37" x 31-1/8"

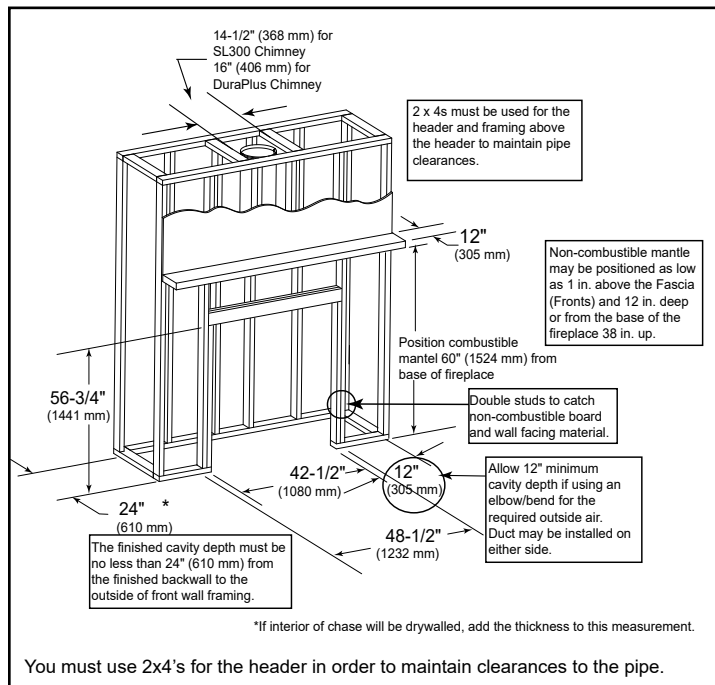


\*If interior of chase will be drywalled, add the thickness to this measurement.

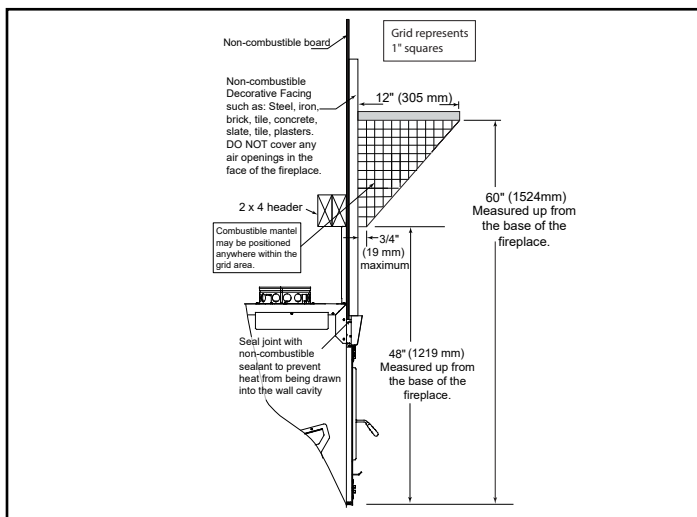
APPLIANCE LOCATION



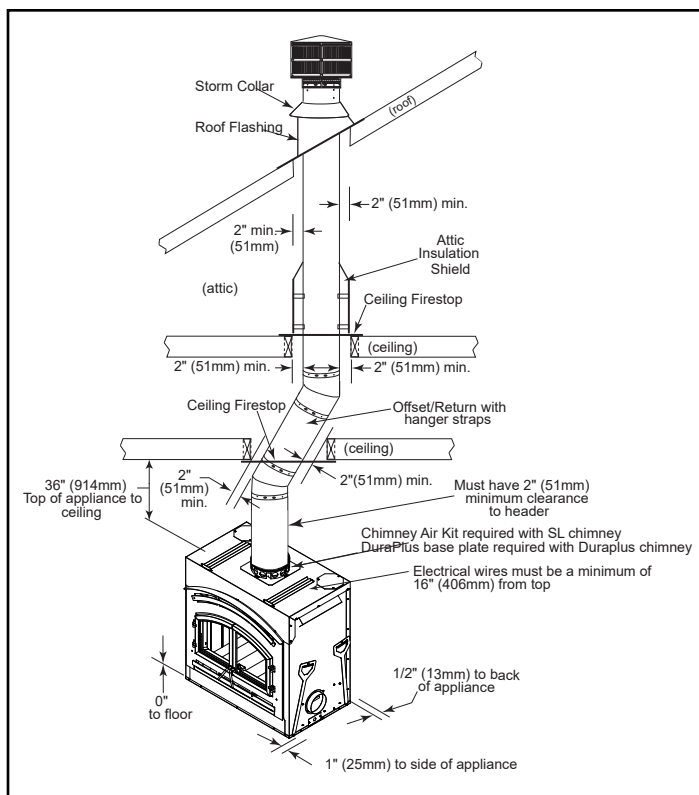
FRAMING DIMENSIONS



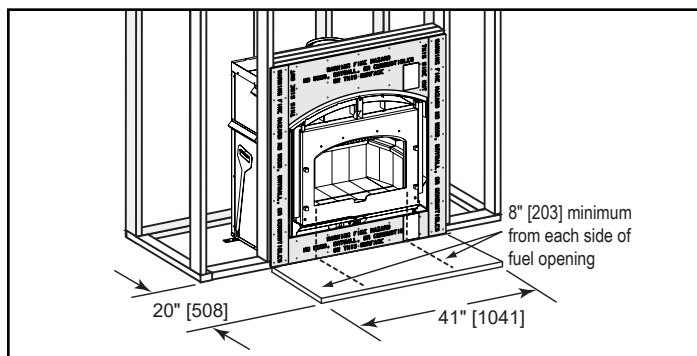
MANTEL PROJECTIONS



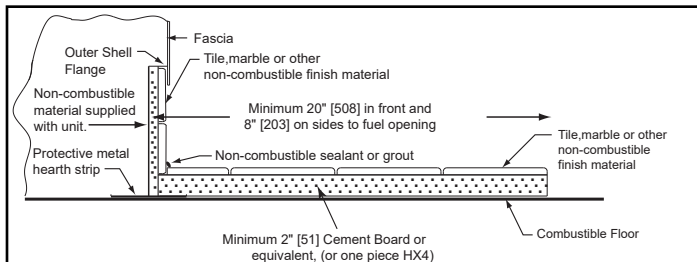
CLEARANCES TO COMBUSTIBLES



HEARTH EXTENSIONS



HEARTH EXTENSION CONSTRUCTION



PRODUCT LISTING CODES	
US	UL 127
CAN	ULC-S610-M87

Product information provided is not complete and is subject to change without notice. Product installation must adhere strictly to instructions accompanying product to avoid risk of fire and potential injury.

**MAJESTIC**

Majestic — A Brand of Hearth & Home Technologies  
 7571 215th Street West | Lakeville, MN 55044  
 877-486-9123 | majesticproducts.com



MAJ/MERCURY\_WARM MAJIC\_IL\_0220

See install manual figure 7.8 for raised hearth extension.