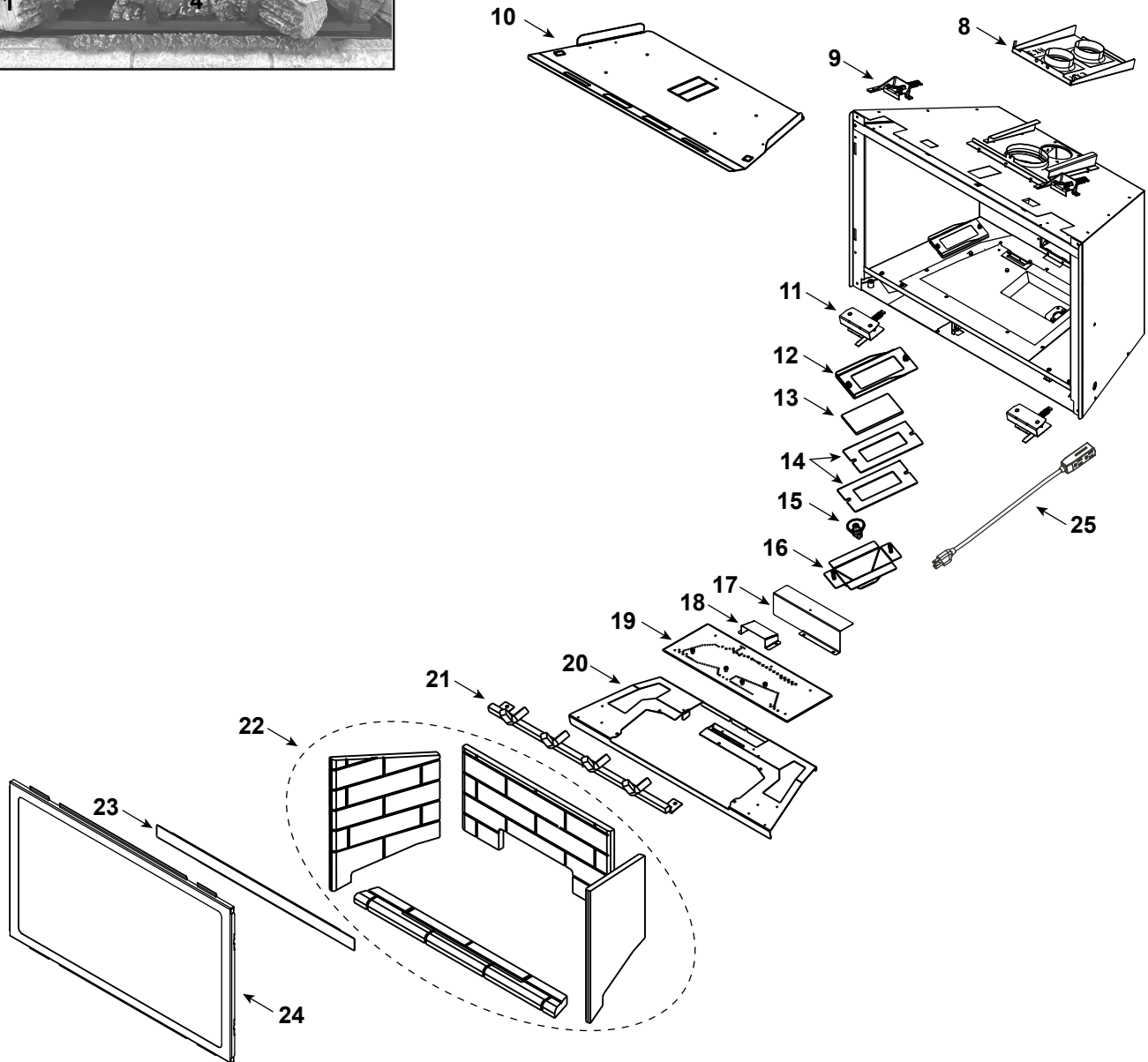
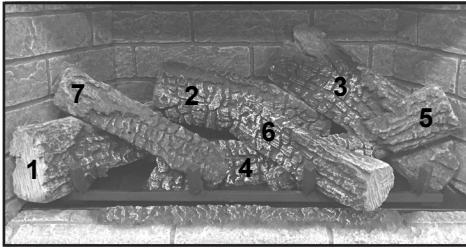




Log Set Assembly



Part number list on following page.



Service Parts

TRILLIANT30IN

Beginning Manufacturing Date: Jun 2023

Ending Manufacturing Date: Active

IMPORTANT: THIS IS DATED INFORMATION. Parts must be ordered from a dealer or distributor. **Hearth and Home Technologies does not sell directly to consumers.** Provide model number and serial number when requesting service parts from your dealer or distributor.



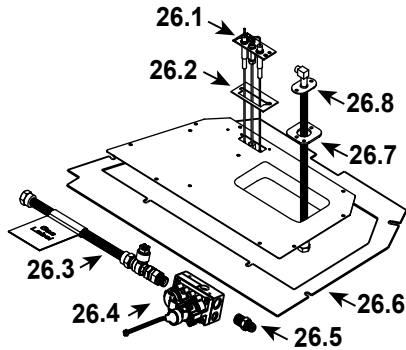
Stocked
at Depot

ITEM	DESCRIPTION	COMMENTS	PART NUMBER	
	Log Assembly (Hearth Refractory not Included)		LOGS-2538	Y
1	Log 1		SRV2538-711	
2	Log 2		SRV2538-712	
3	Log 3		SRV2538-713	
4	Log 4		SRV2538-714	
5	Log 5		SRV2538-716	
6	Log 6		SRV2538-717	
7	Log 7		SRV2538-715	
8	Slide Plate Assembly		2532-014	
	Tool, Slide Plate (Multi-purpose)		2532-140	
	Gasket		2532-113	
9	Glass Clip Assembly, Top	Qty 2 req	2155-046	
10	Baffle, Firebox		2532-138	
11	Glass Clip Assembly, Bottom	Qty 2 req	2532-009	
12	Light Glass, Hold Down	Qty 2 req	2532-149	
13	Accent Glass	Qty 2 req	2532-151	
14	Light Glass Gasket	Qty 4 req	2532-150	
15	Halogen Reflector Lamp, 50W	Qty 2 req	2201-150	Y
16	Light Tub Assembly	Qty 2 req	2532-006	
	Light Wire Assembly		2532-017	Y
17	Air Scoop		2532-135	
18	Pilot Shield		2532-153	
19	Burner Assembly		2538-007	Y
20	Base Pan		2538-130	
21	Grate		SRV2538-014	
22	Refractory Assembly		SRV2538-076	
	Hearth, Refractory		SRV2538-703	
23	Seal, Glass Frame		2532-122	
24	Glass Door Assembly		GLA-2532	Y
25	Power Cord		2201-024	Y
	Fan		GFK-160A	Y

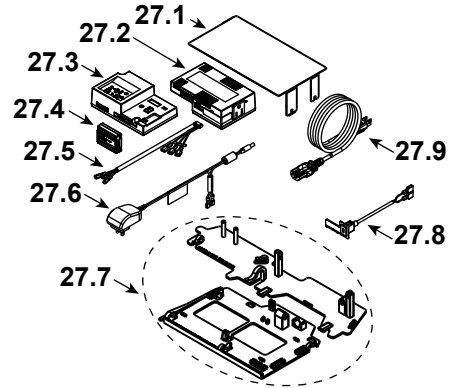
Additional service part numbers appear on following page.



#26 Valve Assembly



#27 Component Tray Assembly



IMPORTANT: THIS IS DATED INFORMATION. Parts must be ordered from a dealer or distributor. **Hearth and Home Technologies does not sell directly to consumers.** Provide model number and serial number when requesting service parts from your dealer or distributor.



Stocked at Depot

ITEM	DESCRIPTION	COMMENTS	PART NUMBER	
26.1	Pilot Assembly NG		2550-013	Y
	Pilot Assembly Propane		2550-014	Y
26.2	Pilot Gasket		2532-134	
26.3	Flex Ball Valve Assembly		2532-081	Y
26.4	Valve NG		SRV2166-302	Y
	Valve Propane		2166-303	Y
26.5	Male Connector	Pkg of 5	303-315/5	Y
26.6	Gasket, Valve Plate		2532-131	
26.7	Gasket, Bulkhead		438-407	
26.8	Bulkhead w/Flex Tube		SRV7000-156	Y
	Orifice NG (#35C)		SRV582-835	Y
	Orifice Propane (#51C)		SRV582-851	Y
27.1	Component Heat Shield		2532-144	Y
27.2	Module, B Type AC		SRV2326-150	Y
27.3	Module, IFT Control		SRV2326-130	Y
27.4	Module, RF FCC		SRV2326-120	Y
27.5	Harness, IFT 6 Pin Wiring		SRV2326-132	Y
27.6	6 Volt DC Power Adapter		2326-191	Y
27.7	Tray, Component & Wire		2532-172	Y
27.8	Assembly, USB-C Bracket		2532-301	Y
27.9	Cable, B Type AC Module		SRV2326-152	Y

Additional service part numbers appear on following page.

