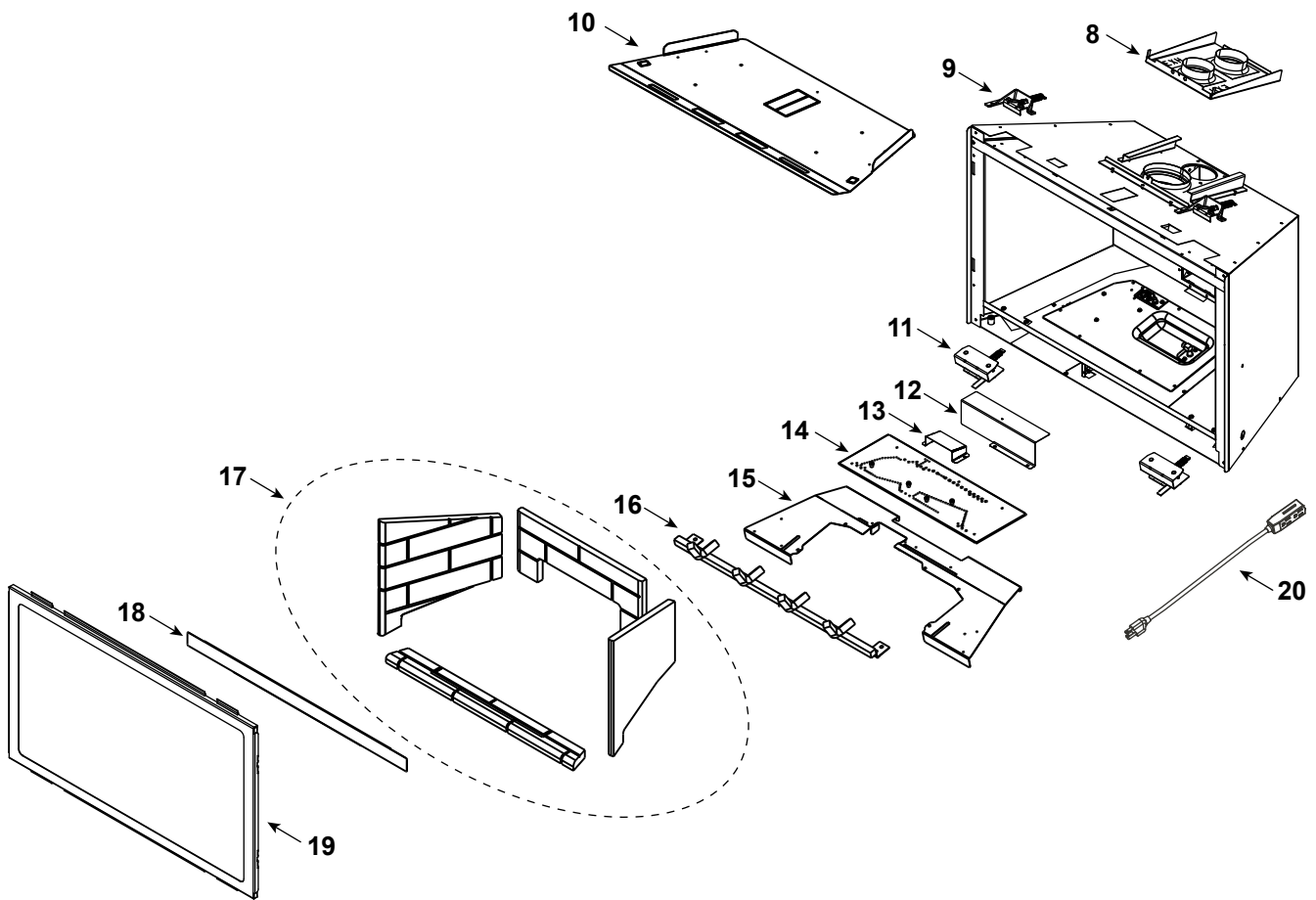
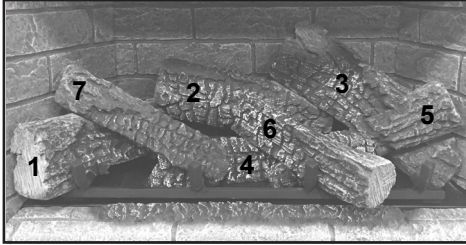




Log Set Assembly



Part number list on following page.



Service Parts

TRILLIANT25IN

Beginning Manufacturing Date: Jun 2023

Ending Manufacturing Date: Active

IMPORTANT: THIS IS DATED INFORMATION. Parts must be ordered from a dealer or distributor. **Hearth and Home Technologies does not sell directly to consumers.** Provide model number and serial number when requesting service parts from your dealer or distributor.



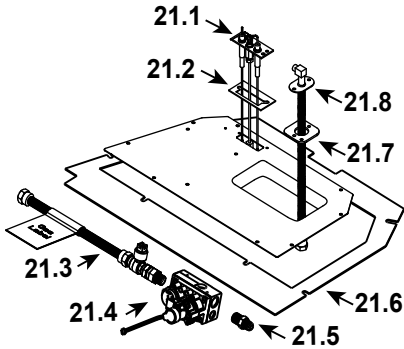
Stocked at Depot

Table with 5 columns: ITEM, DESCRIPTION, COMMENTS, PART NUMBER, and Stocked at Depot. It lists 20 items including Log Assembly, Slide Plate Assembly, Glass Clip Assembly, Baffle, Air Scoop, Pilot Shield, Burner Assembly, Base Pan, Grate, Refractory Assembly, Seal, Glass Door Assembly, Power Cord, and Fan.

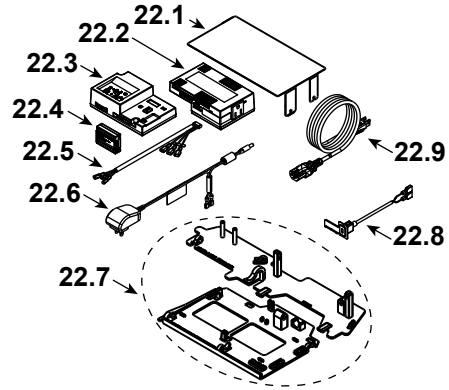
Additional service part numbers appear on following page.



#21 Valve Assembly



#22 Component Tray Assembly



IMPORTANT: THIS IS DATED INFORMATION. Parts must be ordered from a dealer or distributor. **Hearth and Home Technologies does not sell directly to consumers.** Provide model number and serial number when requesting service parts from your dealer or distributor.



Stocked at Depot

ITEM	DESCRIPTION	COMMENTS	PART NUMBER	
21.1	Pilot Assembly NG		2550-013	Y
	Pilot Assembly Propane		2550-014	Y
21.2	Pilot Gasket		2532-134	
21.3	Flex Ball Valve Assembly		2532-081	Y
21.4	Valve NG		SRV2166-302	Y
	Valve Propane		2166-303	Y
21.5	Male Connector	Pkg of 5	303-315/5	Y
21.6	Gasket, Valve Plate		2532-131	
21.7	Gasket, Bulkhead		438-407	
21.8	Bulkhead w/Flex Tube		SRV7000-156	Y
	Orifice NG (#40C)		582-840	Y
	Orifice Propane (#53C)		582-853	Y
22.1	Component Heat Shield		2532-144	Y
22.2	Module, B Type AC		SRV2326-150	Y
22.3	Module, IFT Control		SRV2326-130	Y
22.4	Module, RF FCC		SRV2326-120	Y
22.5	Harness, IFT 6 Pin Wiring		SRV2326-132	Y
22.6	6 Volt DC Power Adapter		2326-191	Y
22.7	Tray, Component & Wire		2532-172	Y
22.8	Assembly, USB-C Bracket		2532-301	Y
22.9	Cable, B Type AC Module		SRV2326-152	Y

Additional service part numbers appear on following page.



Service Parts

TRILLIANT25IN

Beginning Manufacturing Date: Jun 2023

Ending Manufacturing Date: Active

IMPORTANT: THIS IS DATED INFORMATION. Parts must be ordered from a dealer or distributor. **Hearth and Home Technologies does not sell directly to consumers.** Provide model number and serial number when requesting service parts from your dealer or distributor.



Stocked at Depot

Table with columns: ITEM, DESCRIPTION, COMMENTS, PART NUMBER, and Stocked at Depot. Includes parts like Battery Pack, Bolt, Level Leg, Fan Dampener, Mineral Wool, RC400 Remote, Screw, Bottom Glass Clip, Touch up Paint, Vermiculite Embers, and Conversion Kits.

**Fuse for battery pack can be sourced locally, not a warranty item. Specs are 250v, 3A fuse, 3/4" long