



## Service Parts

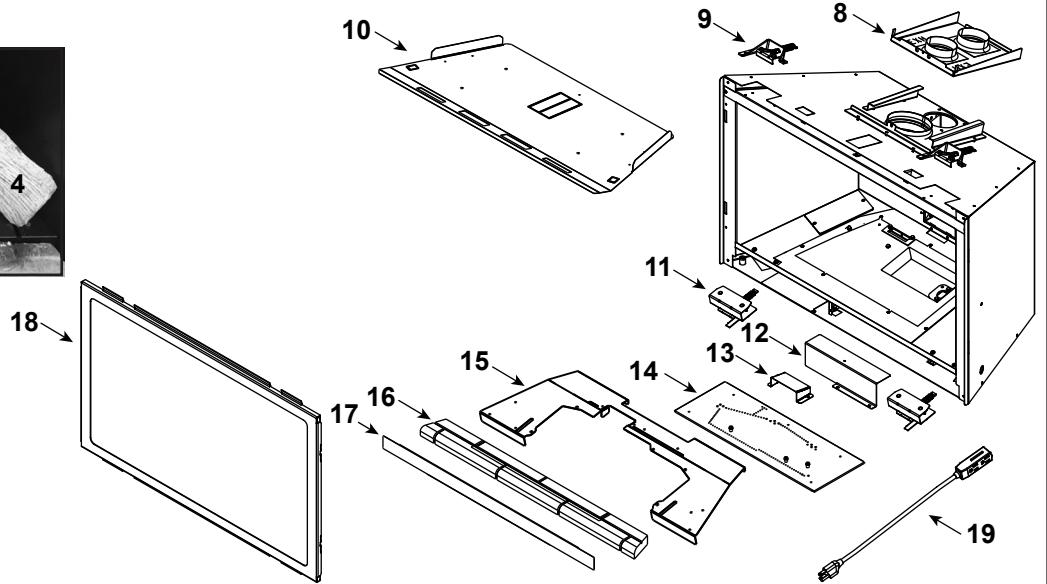
# RUBY25IN, RUBY25IL

Ruby 25" Gas Insert - DV

Beginning Manufacturing Date: March 2019

Ending Manufacturing Date: Active

### Log Set Assembly



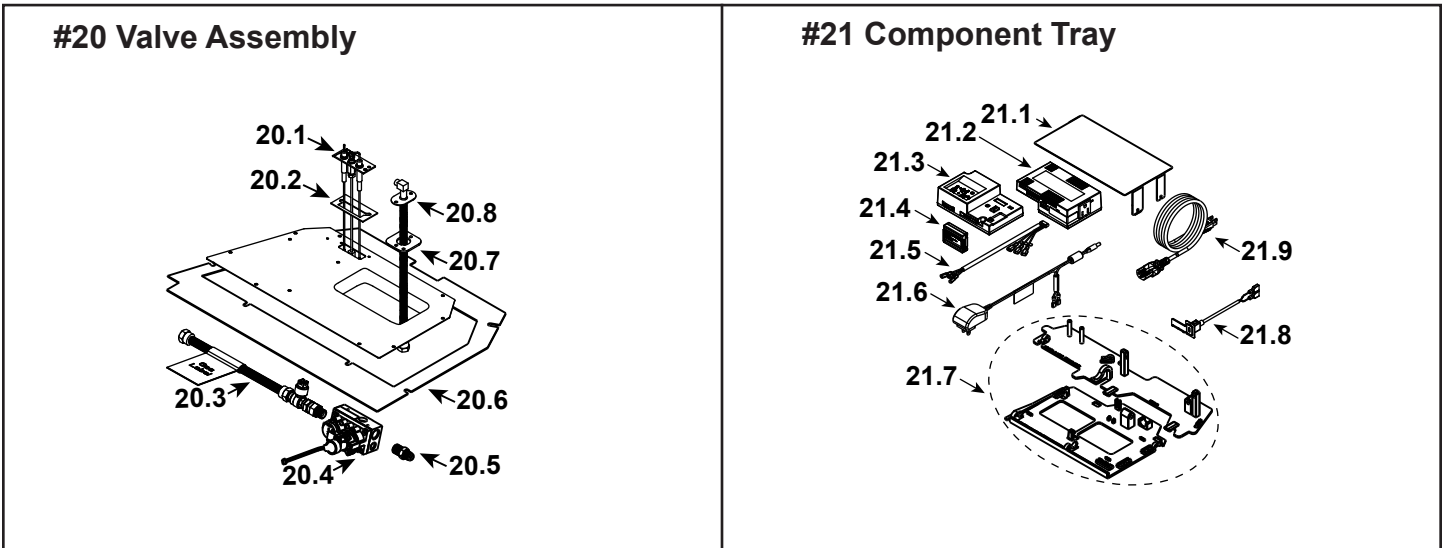
**IMPORTANT: THIS IS DATED INFORMATION.** Parts must be ordered from a dealer or distributor. **Hearth and Home Technologies does not sell directly to consumers.** Provide model number and serial number when requesting service parts from your dealer or distributor.



**Stocked at Depot**

ITEM	DESCRIPTION	COMMENTS	PART NUMBER	Stocked at Depot
	Log Assembly (Hearth Refractory not Included)		LOGS-2540	Y
1	Log 1		SRV2540-711	
2	Log 2		SRV2542-715	
3	Log 3		SRV2540-713	
4	Log 4		SRV2542-712	
5	Log 5		SRV2542-714	
6	Log 6		SRV2542-717	
7	Log 7		SRV2542-717	
8	Slide Plate Assembly		2532-014	
	Tool, Slide Plate (Multi-purpose)		2532-140	
	Gasket		2532-113	
9	Glass Clip Assembly, Top	Qty 2 req	2155-046	
10	Baffle, Firebox		2531-138	
11	Glass Clip Assembly, Bottom	Qty 2 req	2532-009	
12	Air Scoop		2532-135	
13	Pilot Shield		2532-153	
14	Burner Assembly		2540-007	Y
15	Base Pan		2540-130	
16	Hearth Refractory (Not for use with BRICKMI25TB/BRICKMI25CR)		SRV2540-704	
17	Seal, Glass Frame		2531-122	
18	Glass Door Assembly		GLA-2531	Y
19	Power Cord		2201-024	Y
	Fan		GFK-160A	Y

Additional service part numbers appear on following page.



IMPORTANT: THIS IS DATED INFORMATION. Parts must be ordered from a dealer or distributor. **Hearth and Home Technologies does not sell directly to consumers.** Provide model number and serial number when requesting service parts from your dealer or distributor.



Stocked at Depot

ITEM	DESCRIPTION	COMMENTS	PART NUMBER	
20.1	Pilot Assembly NG		2550-013	Y
	Pilot Assembly Propane		2550-014	Y
20.2	Pilot Gasket		2532-134	
20.3	Flex Ball Valve Assembly		2532-081	Y
20.4	Valve NG		SRV2166-302	Y
	Valve Propane		2166-303	Y
20.5	Male Connector	Pkg of 5	303-315/5	Y
20.6	Gasket, Valve Plate		2531-131	
20.7	Gasket, Bulkhead		438-407	
20.8	Bulkhead w/Flex Tube		SRV7000-156	Y
	Orifice NG (#40C)		582-840	Y
	Orifice Propane (#53C)		582-853	Y
21.1	Component Heat Shield		2532-144	Y
21.2	Module, B Type AC		SRV2326-150	Y
21.3	Module, IFT Control		SRV2326-130	Y
21.4	Module, RF FCC		SRV2326-120	Y
21.5	Harness, IFT 6 Pin Wiring		SRV2326-132	Y
21.6	6 Volt DC Power Adapter	<b>Post LC5818239</b>	2326-191	Y
	Transformer, 6 Volt Wall	<b>Pre LC5818239</b>	SRV2326-131	Y
	Jumper Wire, 36" Male/Female	<b>Pre LC5818239</b>	2159-310	Y
	Wall Switch Jumper Wire	<b>Pre LC5818239</b>	SRV2179-300	Y
21.7	Tray, Component & Wire		2532-172	Y
21.8	Assembly, USB-C Bracket	<b>Post LC5673022</b>	2532-301	Y
21.9	Cable, B Type AC Module		SRV2326-152	Y

Additional service part numbers appear on following page.

