



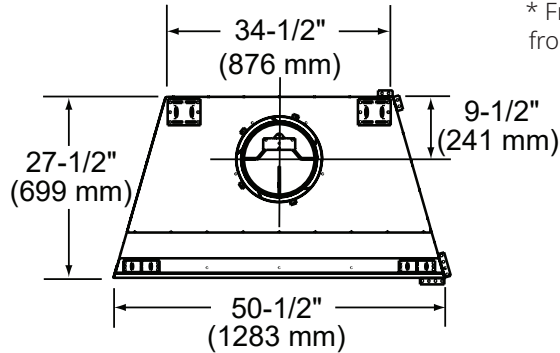
Please consult the manufacturer's installation manual for all details and requirements before making a final design layout decision.

Cottagewood

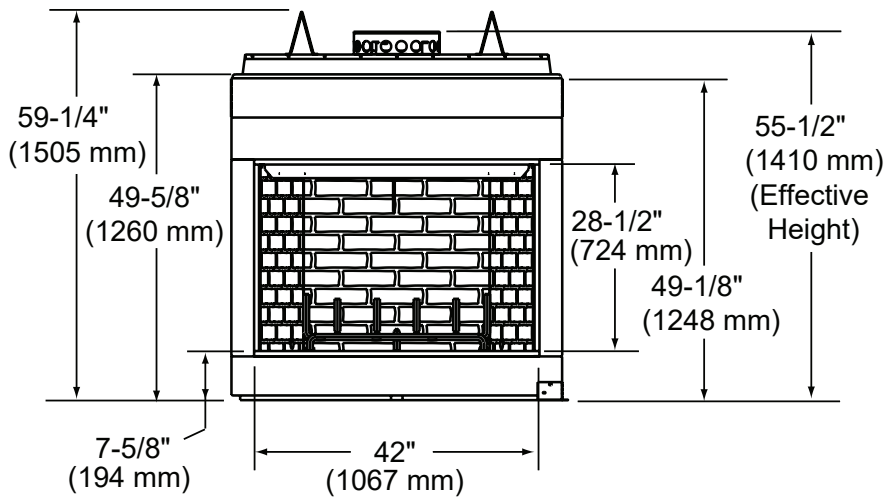
42" Outdoor Wood Fireplace

| MODEL | FRONT WIDTH | | BACK WIDTH | | HEIGHT | | DEPTH | | FIREBOX OPENING |
|---------------------------|-------------|---------|------------|---------|---------|----------|---------|---------|-----------------|
| | Actual | Framing | Actual | Framing | Actual | Framing* | Actual | Framing | |
| ODCTGWD-42 ODCTGWD-42H | 50-1/2" | 51-1/2" | 34-1/2" | 51-1/2" | 59-1/4" | 59-3/4" | 27-1/2" | 28-1/2" | 42" x 28-1/2" |

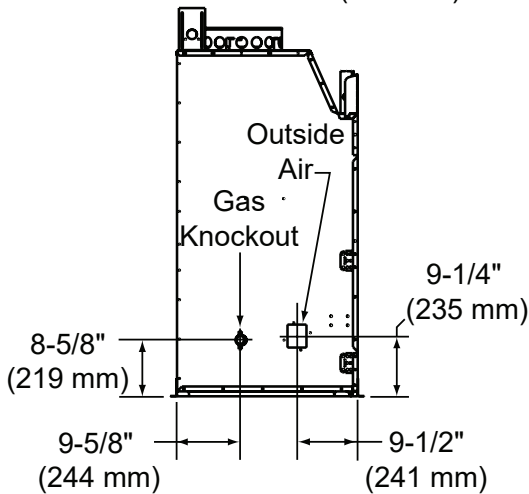
* Framing must be filled in to top of front standoff after unit is installed.



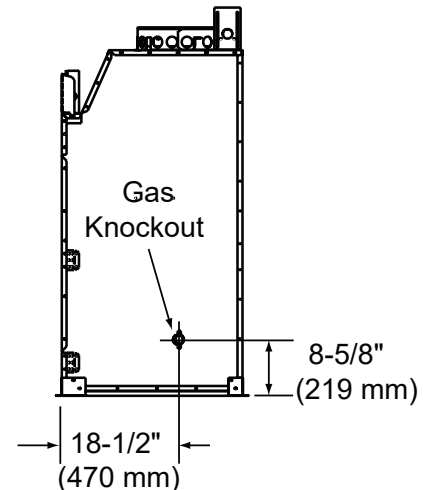
Top View



Front View

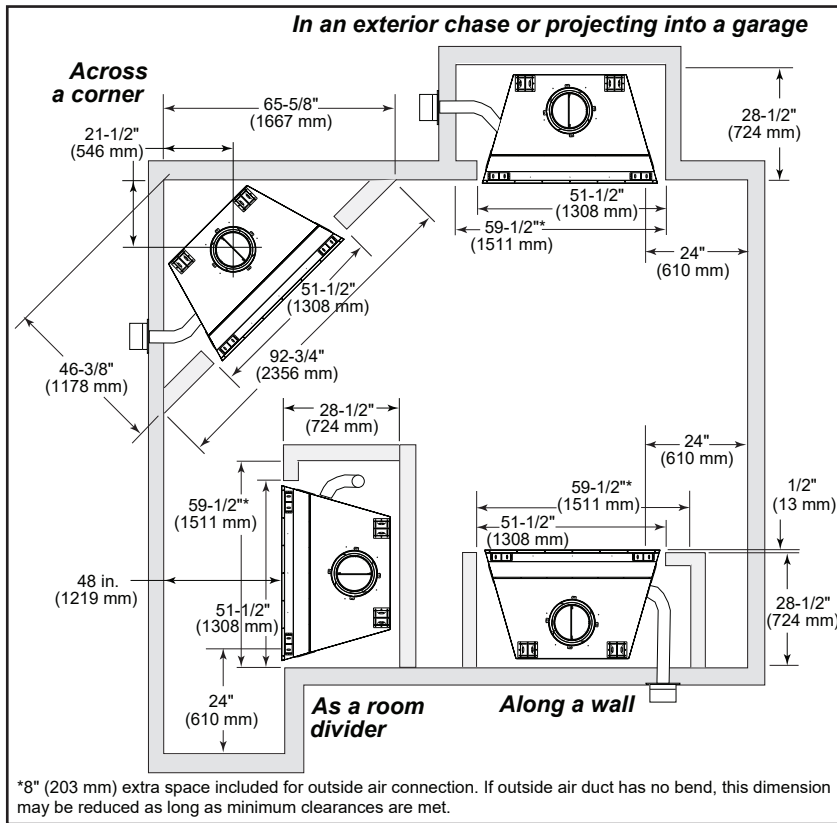


Left Side View

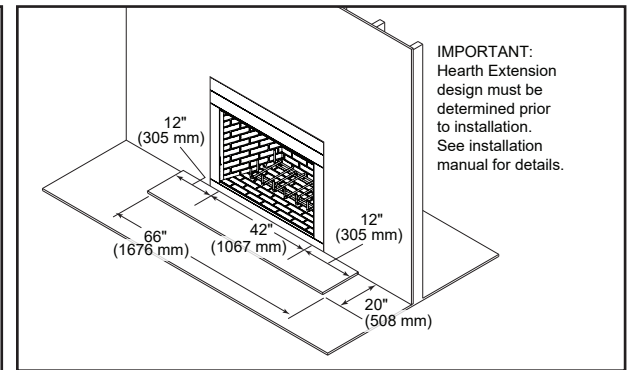


Right Side View

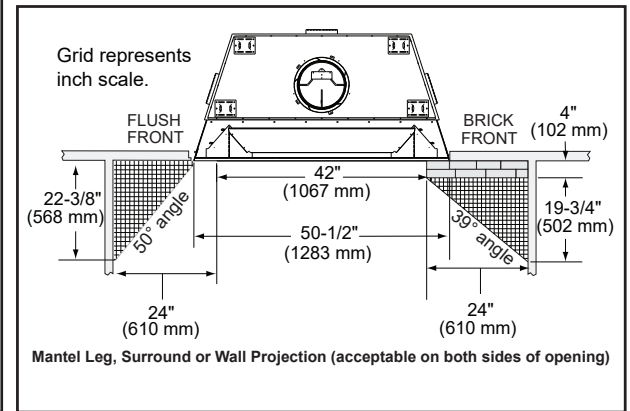
APPLIANCE LOCATION



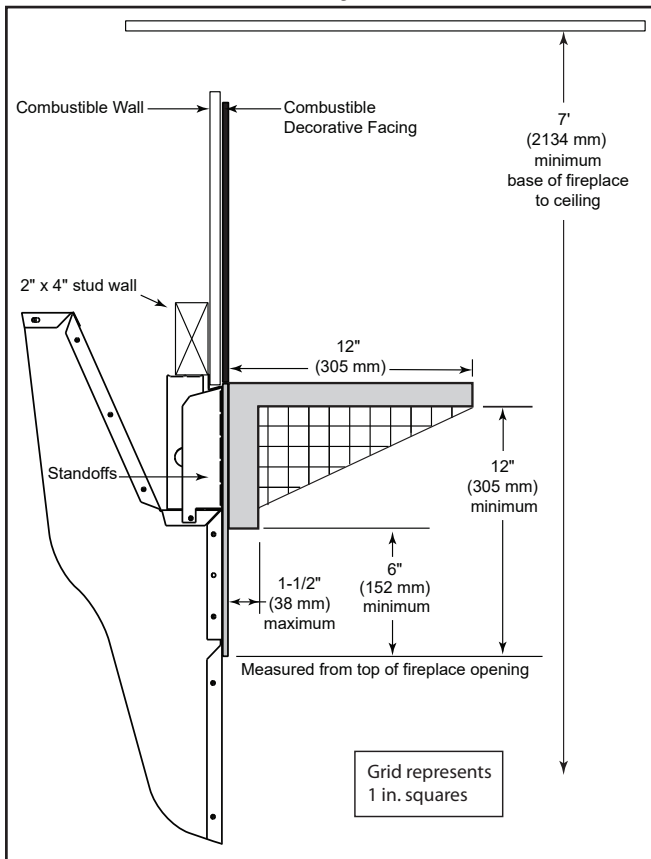
HEARTH EXTENSION



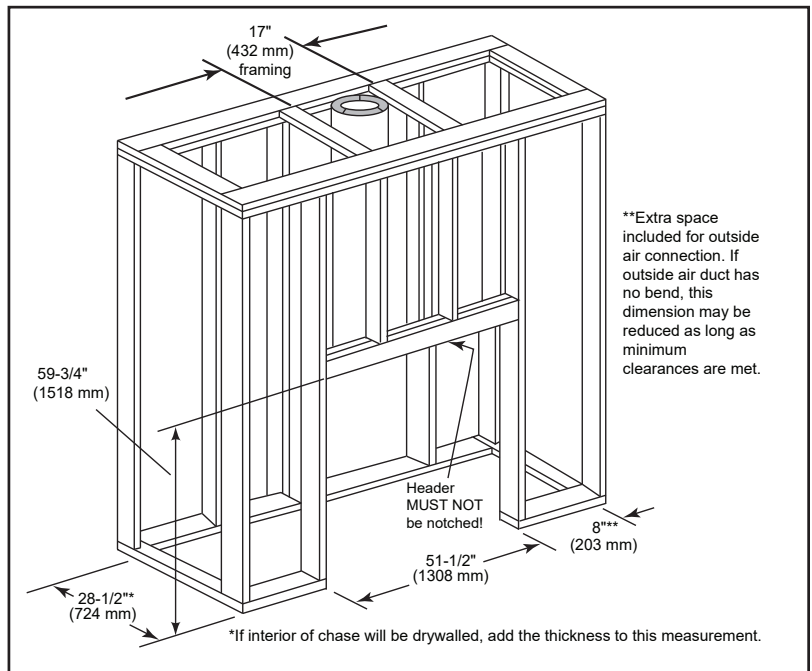
SIDEWALLS/SURROUNDS



MANTEL AND WALL PROJECTIONS



FRAMING DIMENSIONS



| PRODUCT LISTING CODES | |
|-----------------------|--------------|
| US | UL127 |
| CAN | ULC-S610-M87 |

Product information provided is not complete and is subject to change without notice. Product installation must adhere strictly to instructions accompanying product to avoid risk of fire and potential injury.

Additional information can be found online at www.fireplaces.com