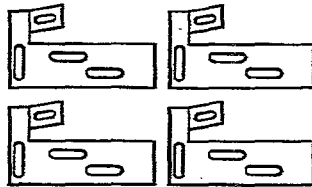




PRIMARY MOUNTING INSTRUCTIONS FOR OVERLAP FIT RAINBOW DOORS

TOOLS NEEDED

- PENCIL
- 1/8" DRILL
- PHILLIPS SCREWDRIVER
- PLIERS OR 11/32" WRENCH
(IF WINGNUTS DONT WORK)
- 3/32" ALLEN WRENCH
(FOR ADJUSTMENT)



4 ALTERNATIVE BRACKETS
SIFOG92



4 SHEET METAL SCREWS
FST0041

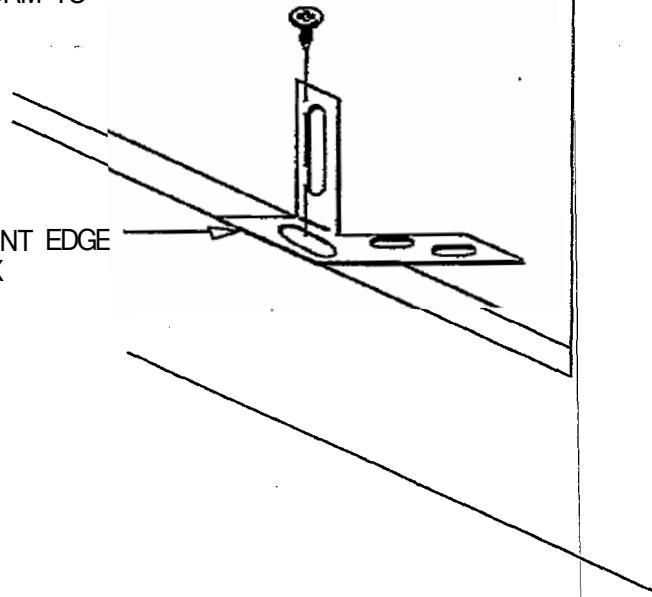
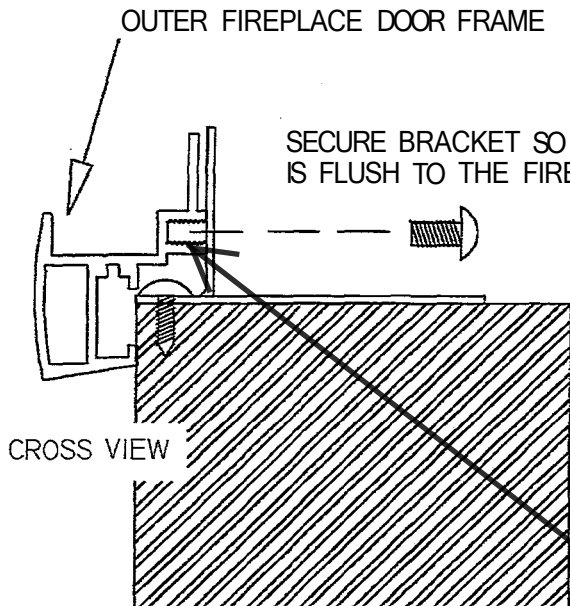


4 MACHINE SCREWS
FST0026

INSTRUCTIONS:

PLACE MOUNTING BRACKET FLUSH TO THE METAL BOX FACE
APPROXIMATELY 4" IN FROM ENDS. SECURE STRAP WITH A SHEET
METAL SCREW PROVIDED. ANY OF THE SLOTTED HOLES CAN BE USED IF THERE
IS EXPOSED METAL UNDER THE SLOTTED HOLES. BRACKETS CAN BE USED TOP AND
BOTTOM OR THE SIDES, WHICHEVER IS EASIEST.

BRACKETS CAN BE BENT OR CUT TO CONFORM TO
OF THE FIREPLACE.



CONTINUOUS THREADING ON BACK OF DOOR. LOOK FOR GAP THAT
APPEARS TO HAVE MULTIPLE LINES WITHIN RUNNING ALONG ALL
FOUR SIDES OF RAINBOW OVERLAP DOOR. MACHINE SCREWS CAN
BE THREADED INTO ANY PORTION OF THIS TRACK

ONCE ALL FOUR BRACKETS ARE SECURE TO THE INSIDE OF THE FIREBOX,
PLACE THE DOOR OVER THE OPENING. SECURE DOOR TO BRACKETS
THROUGH SLOT AND INTO THE BACK MOUNTING FEATURE ON THE
BACK OF THE FIREPLACE DOOR FRAME WITH THE MACHINE SCREWS PROVIDED.