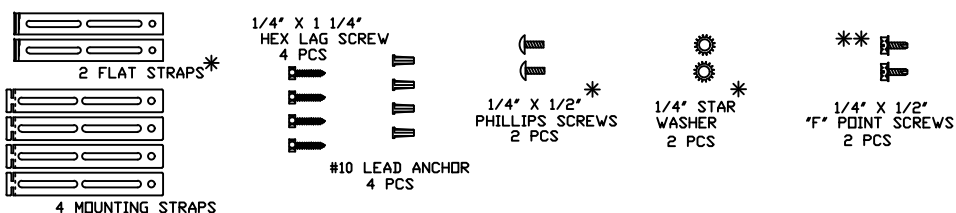




MOUNTING INSTRUCTIONS FOR HEARTH CRAFT MASONRY FIREPLACE DOORS

THESE FIREPLACE DOORS HAVE BEEN FULLY ASSEMBLED AND ADJUSTED PRIOR TO PACKAGING.

STANDARD HARDWARE



TOOLS REQUIRED:

- 5/16" MASONRY DRILL
- 9/32" ALLEN WRENCH
- PHILLIPS SCREWDRIVER
- 3/8" WRENCH

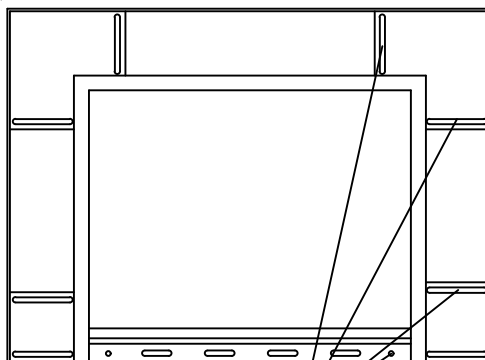
* 1/4" SCREWS, STAR WASHERS AND FLAT STRAPS ARE PROVIDED FOR BOTTOM MOUNTING ON FIREPLACE DOORS WITH DRAFT ASSEMBLIES. SEE FIG. #3.

** "F" POINT SCREWS (SELF TAPING) ARE PROVIDED FOR ATTACHMENT TO THE LINTEL. SEE FIG. #4.

NOTE:

THE INSTALLER MUST DETERMINE THE BEST LOCATIONS TO ATTACH THE MOUNTING STRAPS TO THE OPENING. WE PROVIDE MOUNTING POINTS TOP, BOTTOM AND SIDES FOR EASE OF INSTALLATION. BEST RESULTS ARE ACHIEVED BY USING 4 ATTACHMENT POINTS NEAR EACH OF THE CORNERS OF THE FIREPLACE DOOR. USE THE STRAPS IN PAIRS, TWO AT THE BOTTOM AND TWO NEAR OR AT THE TOP OF THE DOOR. FOR MOST OPENINGS, IT IS EASIEST TO USE THE SIDE BRACKETS FOR MOUNTING.

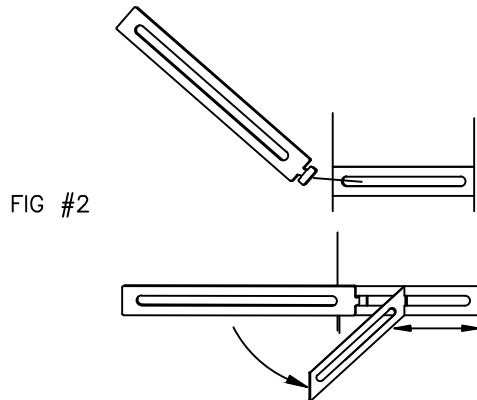
FIG # 1



ATTACHMENT POINTS ON THE
BACKSIDE OF THE DOOR 8 PLACES

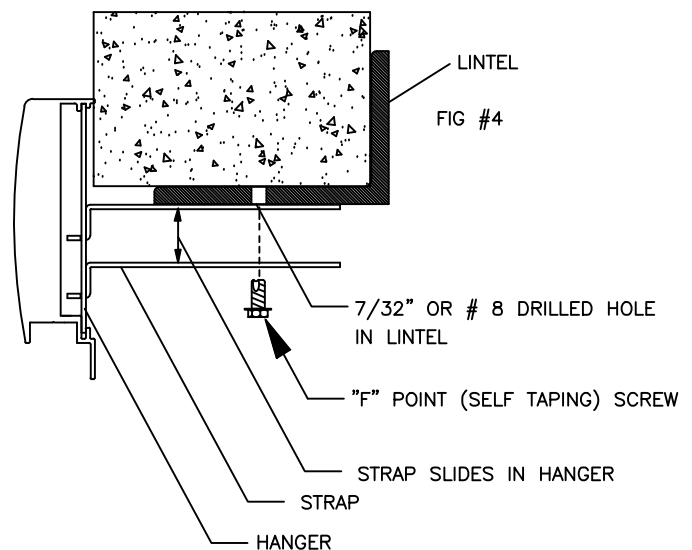
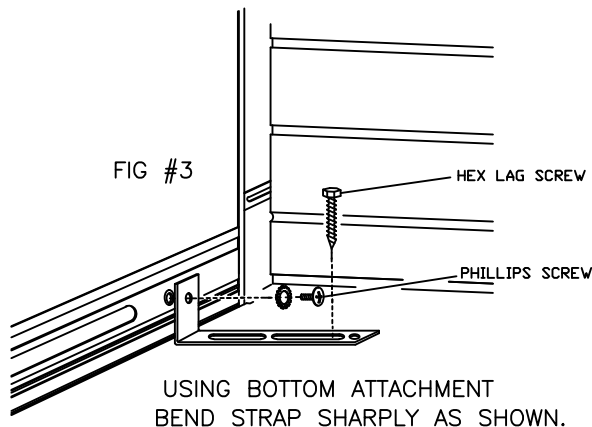
NOTE: OPTIONAL LINTEL CLAMPS MAY EASE TOP MOUNTING OF THE FIREPLACE DOOR. THE FIREPLACE SHOULD HAVE ATTACHMENT NEAR EACH CORNER.

1. CAREFULLY REMOVE THE FIREPLACE DOOR FROM THE PACKAGING.
2. LOCATE THE ATTACHMENT POINTS ON THE BACK FRAME. SEE FIG #1
3. ATTACH THE MOUNTING STRAPS TO THE FRAME HANGERS ON THE BACK FRAME. SEE FIG #2.
4. PLACE DOOR ONTO OPENING.
5. OPEN THE DOORS AND SLIDE THE MOUNTING STRAPS SO THEY ARE AGAINST THE INSIDE OF THE FIREPLACE.
6. USE THE FELT TIPPED MARKER, MARK THE INSIDE OF THE FIREPLACE THROUGH THE SLOTS IN THE MOUNTING BRACKETS.
7. REMOVE THE FIREPLACE DOOR FROM THE OPENING.
8. USING THE 5/16" MASONRY DRILL, DRILL HOLES WHERE THE MARKS ARE INSIDE THE FIREPLACE 1 3/4" - 2" DEEP
9. INSERT LEAD ANCHORS INTO HOLES.
10. PLACE DOOR BACK ONTO OPENING AND USING THE LAG SCREWS PROVIDED, INSERT SCREWS THROUGH BRACKETS AND INTO LEAD ANCHORS. TIGHTEN SCREWS WITH A 3/8" WRENCH.



INSERT TAB INTO HANGER SLOT AND ROTATE STRAP SO TAB IS ENGAGED IN SLOT. STRAP CAN BE SLID IN SLOT TO CONFORM TO THE OPENING

TOP AND BOTTOM MOUNTING



DOOR ADJUSTMENTS

OUR FIREPLACE DOORS ARE FULLY ASSEMBLED AND ADJUSTED PRIOR TO LEAVING THE FACTORY. HOWEVER, THE GLASS DOORS MAY HAVE SHIFTED DURING SHIPMENT, REQUIRING AN ADJUSTMENT TO GET THE GLASS DOORS TO HANG PROPERLY.

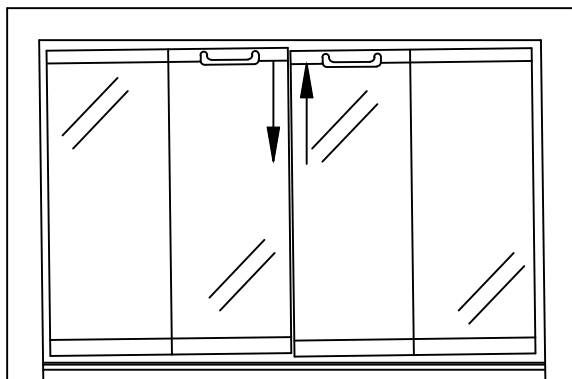


FIG #5

AFTER INSTALLING THE FIREPLACE DOOR, CHECK HOW DOORS OPERATE. CHECK THE GAPS AT THE CENTER AND BETWEEN THE GLASS DOORS AND THE FRAME. IF THE GAPS ARE THE SAME BUT THE TOPS ARE NOT IN ALIGNMENT, IT MAY BE NECESSARY TO MOVE THE BOTTOM FRAME OVER TO BRING THE TOPS OF THE GLASS DOORS INTO ALIGNMENT. LOOSEN THE MOUNTING STRAPS AND MOVE THE BOTTOM OVER SLIGHTLY UNTIL THE GLASS DOORS ARE IN ALIGNMENT. RETIGHTEN THE MOUNTING STRAP. SEE FIG. #5.

IF ONE DOOR STICKS OUT FROM THE OTHER ONE, YOU WILL NEED TO MOVE ONE OF THE CORNERS OF THE FRAME OUT SLIGHTLY. ON THE SIDE THAT THE GLASS DOORS ARE IN FROM THE OTHER DOOR, LOOSEN THE NEAREST MOUNTING STRAP AND PULL THE DOOR FORWARD UNTIL THE DOORS ARE IN ALIGNMENT. RETIGHTEN MOUNTING STRAP. SEE FIG #6.

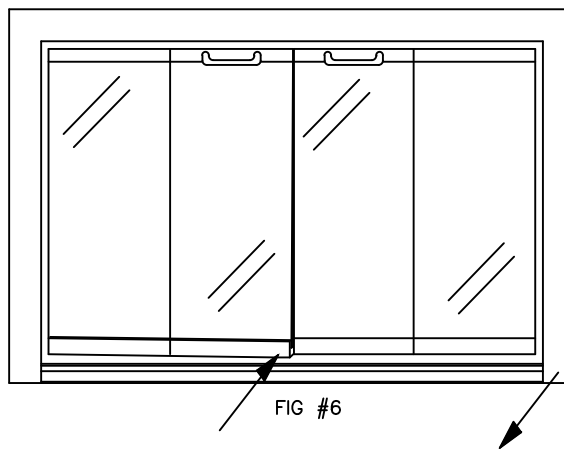


FIG #6

IF THE GAP BETWEEN THE GLASS AT THE CENTER IS DIFFERENT TOP TO BOTTOM, YOU WILL NEED TO ADJUST THE HINGES. THE GAP SHOULD BE APPROXIMATELY 1/16" BETWEEN THE GLASS DOORS AT THE CENTER (1/8" FOR DOORS FOR FACTORY BUILT FIREPLACES). DETERMINE WHICH HINGE IS OUT OF ALIGNMENT. USING A PHILLIPS SCREWDRIVER, LOOSEN THE SCREW THAT HOLDS THE HINGE TO THE FRAME, AND SLIDE THE HINGE OVER SLIGHTLY AND RETIGHTEN. CHECK THE DOOR OPERATION, AND REPEAT THIS PROCEDURE IF NECESSARY. SEE FIG#7.

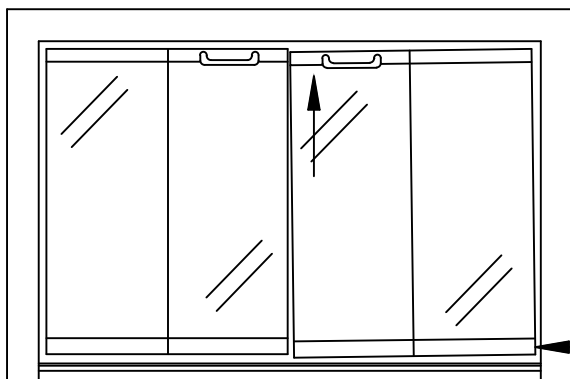
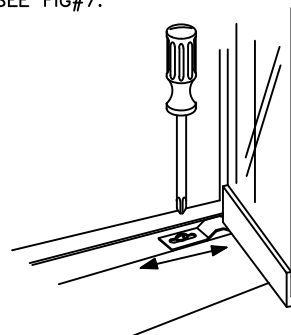
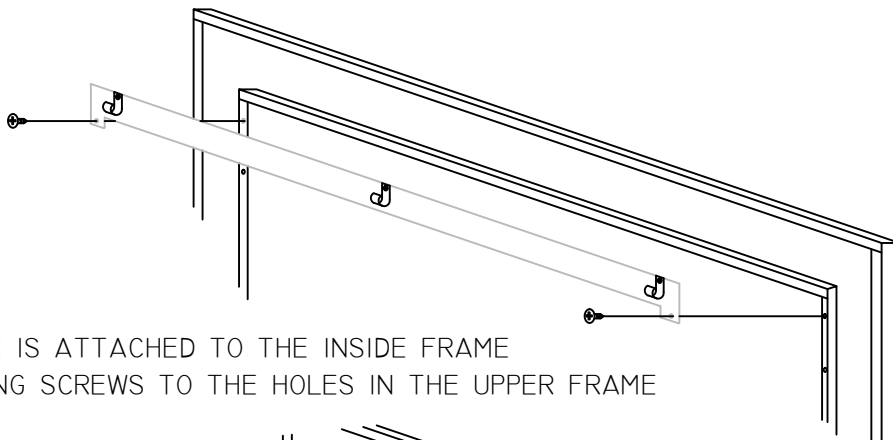


FIG #7

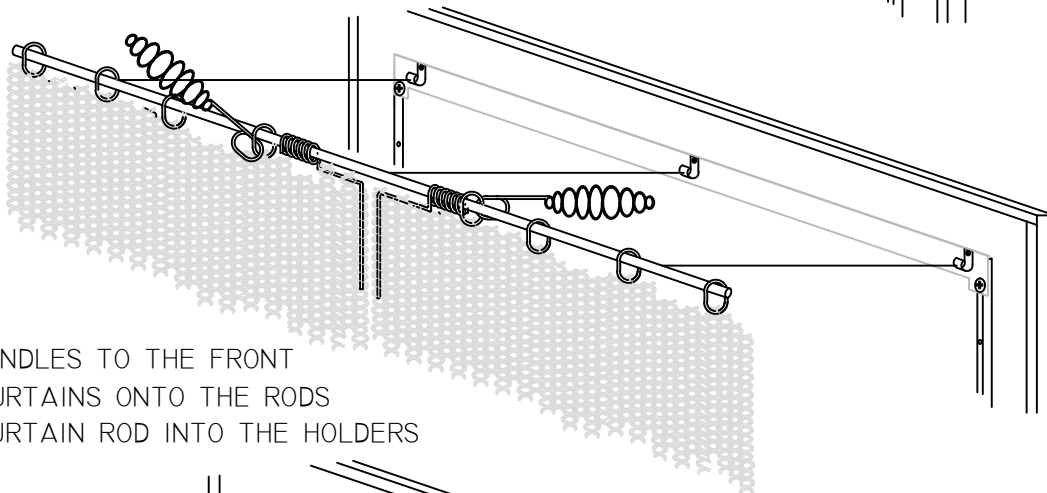




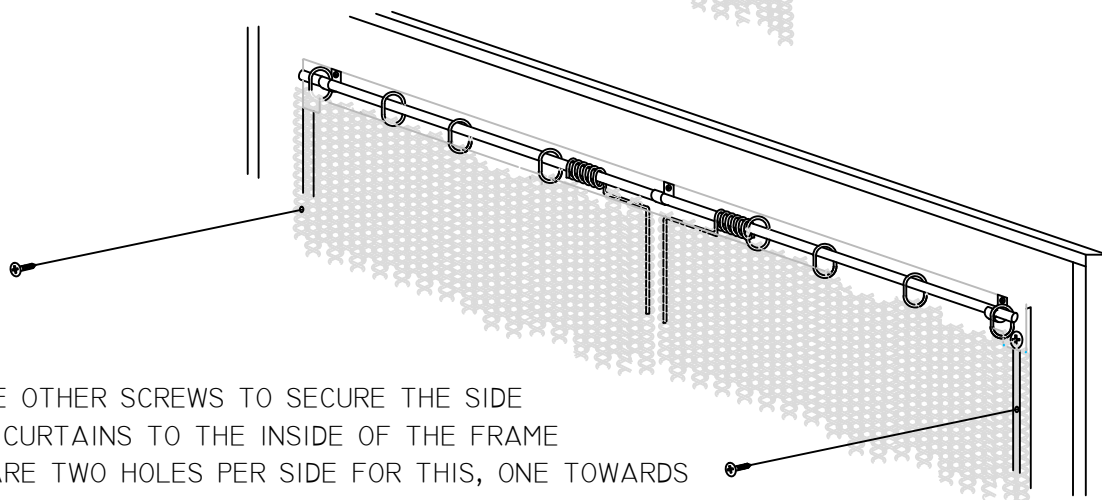
CURTAIN INSTALLATION STEEL DOORS



CURTAIN VALANCE IS ATTACHED TO THE INSIDE FRAME
WITH SELF DRILLING SCREWS TO THE HOLES IN THE UPPER FRAME



ROLL THE HANDLES TO THE FRONT
SLIDE THE CURTAINS ONTO THE RODS
SNAP THE CURTAIN ROD INTO THE HOLDERS



USE THE OTHER SCREWS TO SECURE THE SIDE
OF THE CURTAINS TO THE INSIDE OF THE FRAME
THERE ARE TWO HOLES PER SIDE FOR THIS, ONE TOWARDS
THE TOP AND ONE TOWARDS THE BOTTOM