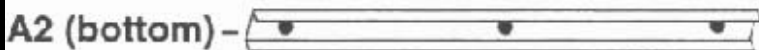
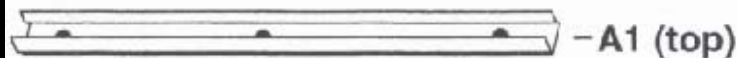


INSTALLATION INSTRUCTION FOR GLASS & TRACK

Mounting Parts Checklist

A

Description:
FRAME
Quantity: 1 top and 1 bottom



B

Description:
AB HEX SM SCREW #6 x 2"
Quantity: 6
(Installation Screws)

(Use 2 small screws in center holes)



C

Description:
Door Sets
Quantity: 1 Left and 1 Right



Part C2



Part C1

TOOLS REQUIRED



- Drill
- 3/32" drill bit
- #2 Phillips head screwdriver

Rainbow Series Glass & Track Installation Instructions: **WARNING:** DO NOT PEEL PROTECTIVE COVER AT THIS TIME

STEP 1

FIG. I

Remove Parts A1 & A2 (Top & bottom frame) from the packing.

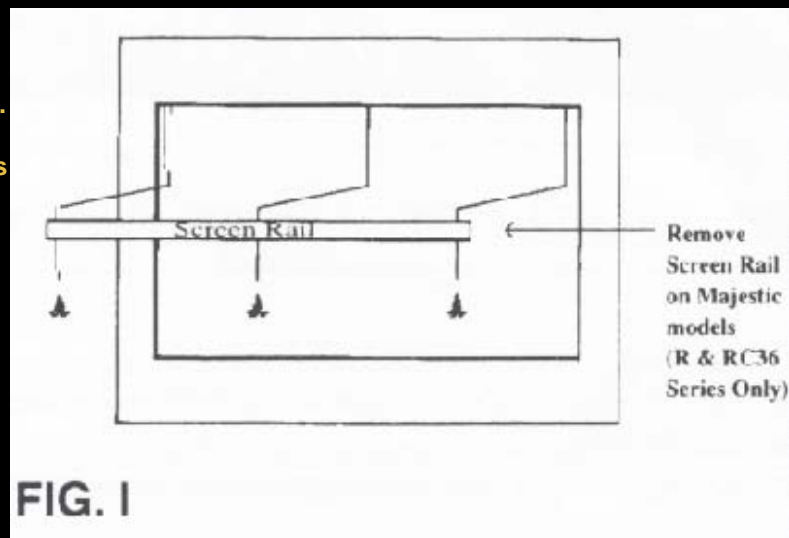
Remove screen rail on Majestic models (R & RC series only) as indicated by Figure I.

STEP 2

FIG. II

Align Part A1 (top frame) - finished side facing out to the top of the opening on the firebox. With a pencil mark holes to be drilled as indicated by Figure II.

It may be necessary to remove screen retainer clips for proper door operation.



Repeat this process for the lower frame, Part A2 (is track with agency label attached to the rear side)

Center frames in the opening, (Fig. IIA)

Using a 3/32" drill bit, and pre-drill all 6 holes.

STEP 3

Remove protective plastic from Part A1 and put into place. Insert Part B sheet metal screws using a #2 Phillips Head Screwdriver. Hinge clips must be installed in track on all four corners when attaching frame. See Figure IV.

STEP 4

Repeat this process using Part A2 (bottom frame) and Part B (sheet metal screws)

INSTALLING DOORS

Before installing doors make sure frame is square to fit fireplace opening.

STEP 5

FIG. III

Hold the right side folded glass door set Part C1, (handle at the top), tilt enough to place bottom pins inside the bottom pivot hole.

While folded place top pins in the top side door track, firmly and gently move to the right until the pin snaps into the top pivot hole.

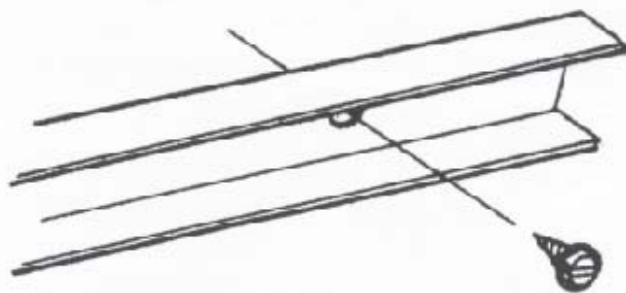


FIG. II

Center Track In Opening
(Top & Bottom)

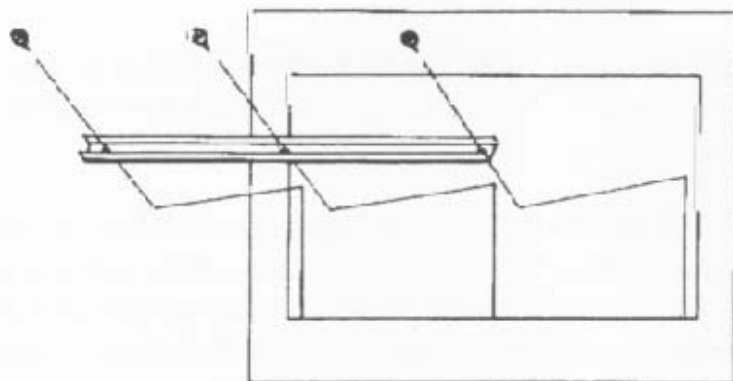


FIG. IIA

STEP 6

Repeat for the left side folded glass door set Part C2, (Figure III).

ADJUSTING DOORS

FIG. III & IV

Doors are factory adjusted for fit and smooth operation.

Door clip may need adjustment to provide equal gap at the top and bottom and to ensure door latches in closed position.

Misalignment can occur during shipment or handling. If this has happened to your enclosure, the doors may be re-adjusted by the following method:

- >Slightly loosen the screws in the hinges located in the top and bottom corners of the door. **DO NOT REMOVE SCREWS.**
- >With the doors closed, center the doors. Leave approximately 1/8" gap in the center where the two glass panels meet.
- > test each door by opening and closing a few times. Re-adjust as necessary. Fasten hinge screws firmly.

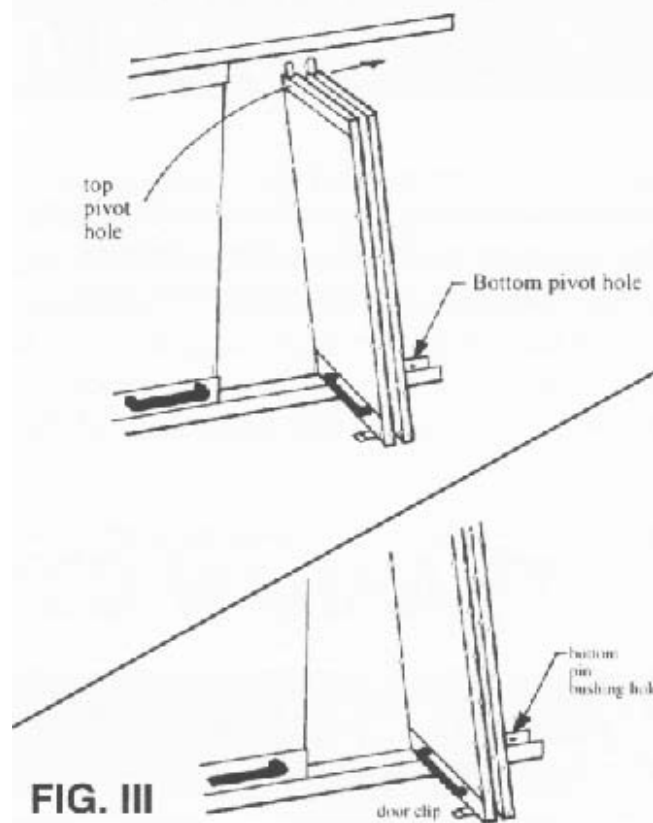


FIG. III

NOTE: On Rainbow Glass & Track Units, the handles must be at the top.

HANDLE HAS TO BE AT THE TOP

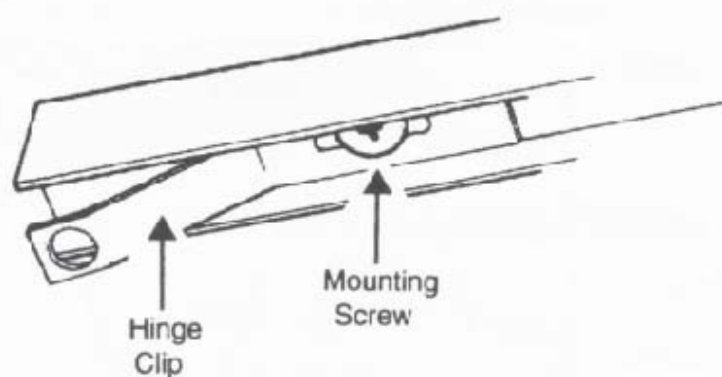


FIG. IV