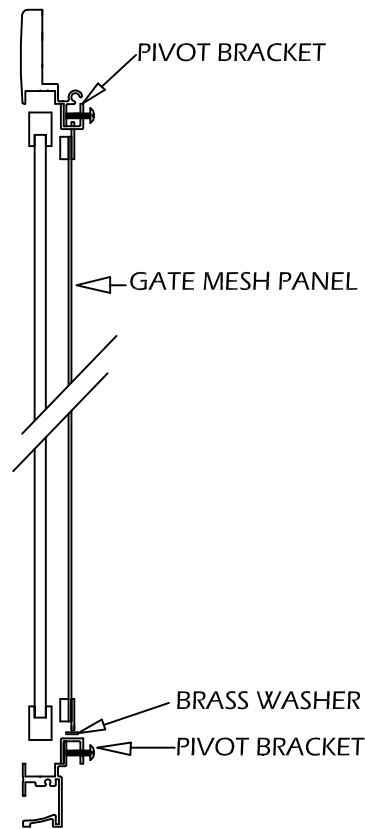




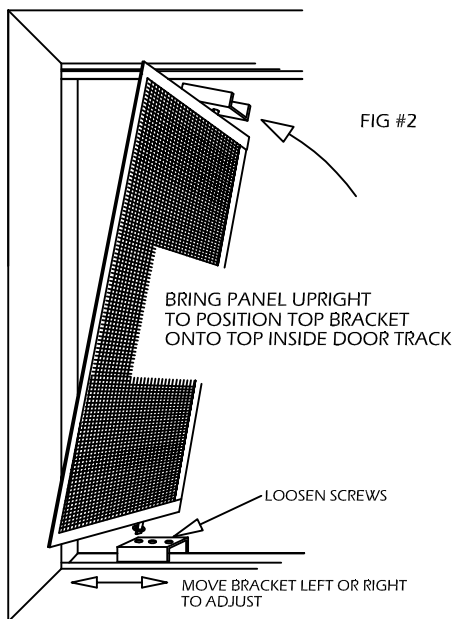
# GATE MESH DOOR INSTALLATION INSTRUCTIONS

1. INSTALL PIVOT BRACKETS ONTO THE INSIDE OF THE BOTTOM DOOR TRACK AS SHOWN.
2. INSTALL BOTTOM GATE MESH PANEL PIVOT INTO PIVOT BRACKET WITH BRASS WASHER BETWEEN PANEL AND BRACKET. SEE FIG #1
3. PLACE A PIVOT BRACKET ONTO THE TOP GATE MESH PIVOT. TIP PANEL UP SO THE PIVOT BRACKET SLIPS ONTO THE INNER DOOR TRACK AT THE TOP. SNUG SCREWS. REPEAT THIS PROCEDURE FOR THE OTHER SIDE. SEE FIG #2.
4. ADJUST THE PANELS BY LOOSENING SCREWS AND MOVING BRACKETS TO GET THE PANELS TO ALIGN AT THE CENTER. SNUG ALL SCREWS.
5. INSTALL THE CLOSURE BRACKET ONTO THE TOP INSIDE DOOR TRACK. TIGHTEN THE BLACK SCREWS. SEE FIG #3



INSTALLATION SIDE VIEW

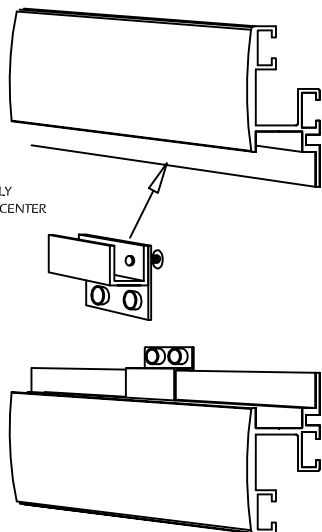
FIG #1



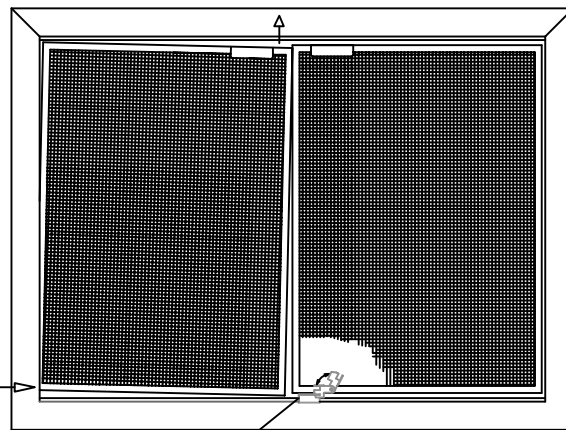
FRONT

FIG #3

LOCATE MAGNET ASSEMBLY ON THE TOP AND BOTTOM CENTER OF THE INNER FRAME



MOVE BRACKET TO ADJUST



NEW GATE MESH CLOSER. DO NOT FORCE GATE MESH DOORS OPEN