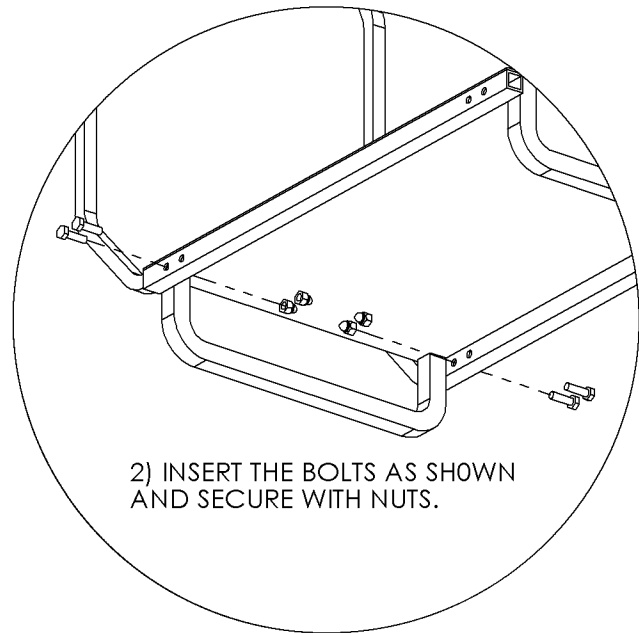
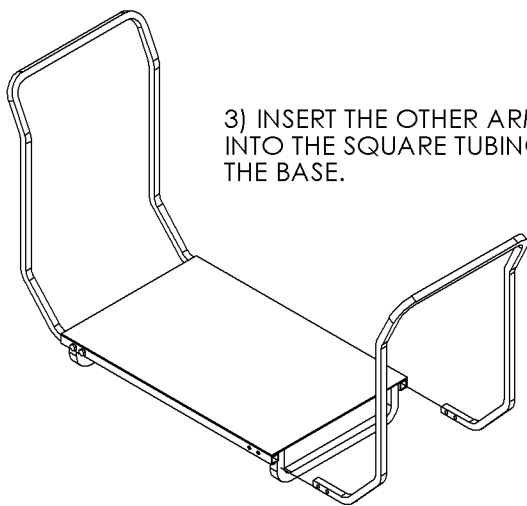


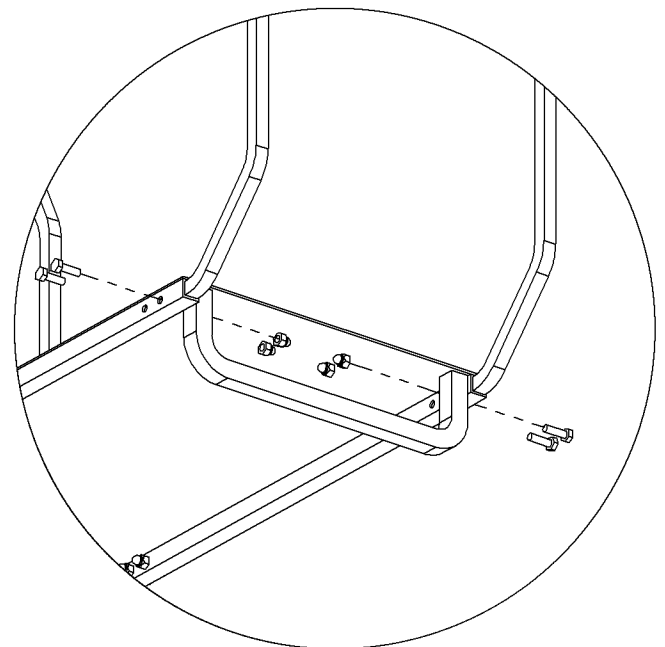
1) INSERT ONE OF THE ARMS INTO THE SQUARE TUBING OF THE BASE.



2) INSERT THE BOLTS AS SHOWN AND SECURE WITH NUTS.



3) INSERT THE OTHER ARM INTO THE SQUARE TUBING OF THE BASE.



4) INSERT THE BOLTS AS SHOWN AND SECURE WITH NUTS.

