

DirectVent Pro Chimney Liner System
For Use with Direct Vent Gas Appliances.

NEW! Horizontal Vent Kit for DV Inserts

Available now for use with approved appliances.

Do you have an application where terminating the vent for a direct-vent gas appliance atop a masonry chimney may be difficult or impractical?

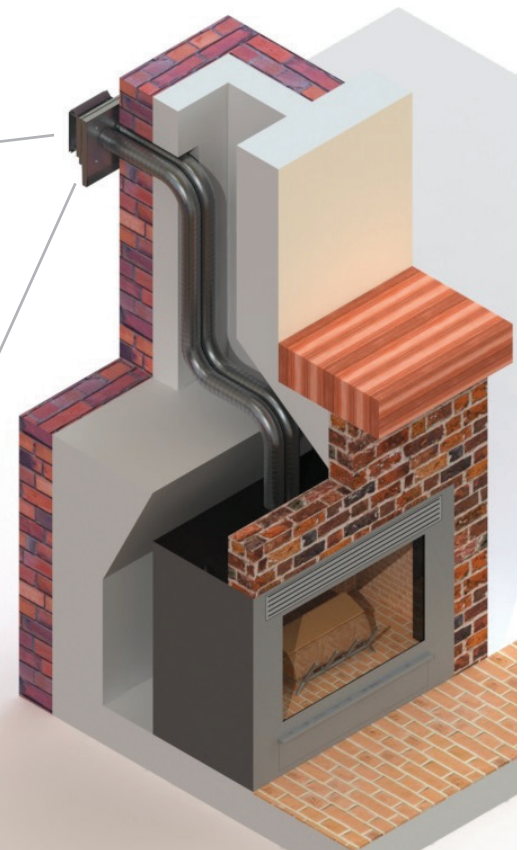
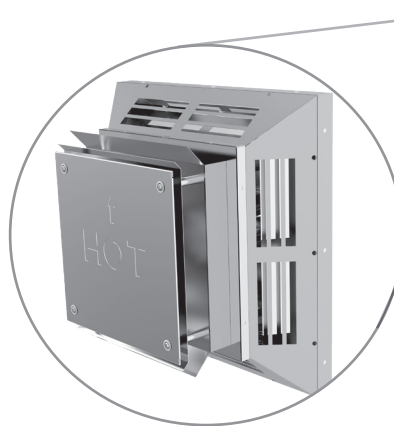
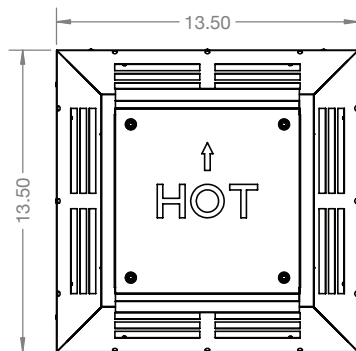
Our new Horizontal Vent Kit for DV Inserts could be the ideal solution!

- Has the top portion of the masonry chimney been removed due to damage or renovation?
- Working with a heritage structure where character or aesthetics are factors in how the system is terminated?
- Has a steep roof pitch or over-height chimney created safety concerns for your installers?
- Will limited access at the jobsite make a typical vent installation cost-prohibitive?
- Could these same limitations drive-up costs for future inspection & service?

Our new Horizontal Vent Kit for DV Inserts allows you to vent an approved appliance horizontally through the back of a suitable masonry chimney.

Kit includes: Co-Linear Termination, Two 3" x 10' Aluminum Flex Lengths, and Hardware for Flex Attachment

CAP SIZE	ORDER #	STOCK #
4" x 6 5/8"	46DVA-HCL33	810016876



IMPORTANT NOTE:

Follow the appliance manufacturer's instructions closely when determining the suitability of a masonry fireplace and chimney. Be sure to follow all instructions related to minimum / maximum vertical rise for the vent system. Depending on the appliance, adjustment to air baffles or restrictors may be required.