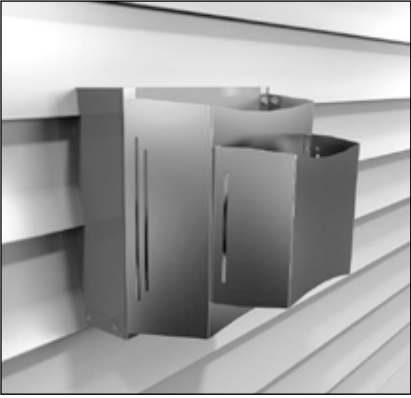


# Installation Instructions



Venting System For Direct Vent  
Gas Stoves and Fireplaces

# DIRECT VENT PRO H2 TERMINATION SUPPLEMENT

**VENTING SYSTEM FOR DIRECT VENT GAS STOVES AND FIREPLACES**

*For the most up-to-date installation instructions, see [www.duravent.com](http://www.duravent.com)*

**CONTENTS**

**Application**.....2  
**Warning** .....3  
**H2 Termination Installation** .....3  
**Snorkel Installation**.....6  
**Warranty**.....8

**A MAJOR CAUSE OF VENT RELATED FIRES IS FAILURE TO MAINTAIN REQUIRED CLEARANCES (AIR SPACES) TO COMBUSTIBLE MATERIALS. IT IS OF THE UTMOST IMPORTANCE THAT DOUBLE WALL DIRECTVENT PRO BE INSTALLED ONLY IN ACCORDANCE WITH THESE INSTRUCTIONS.**

**Dear Customer, Installer, or End User:**

We welcome any comments regarding matters pertaining to our DuraVent products. We welcome any ideas, input or complaints and I'll make sure that someone responds directly back to you.

If you are searching for tech support or product information, please phone us at 800-835-4429.

Or email us at:  
[techsupport@duravent.com](mailto:techsupport@duravent.com)

**APPLICATION**

This instruction applies to the M&G DuraVent DirectVent Pro 4"x6-5/8" and 5"x8" H2 termination system, and is intended as a supplement to the applicable Direct Vent Pro Instruction. This termination and venting system, in combination with the gas appliance, has been tested and listed by an accredited test agency. Check the manufacturer's rating plate and instruction manual to confirm that M&G DuraVent Direct Vent and the H2 termination are approved for use on the appliance you have selected.

## IMPORTANT

Read all instructions carefully before starting the installation. Failure to follow these instructions may create a fire hazard or other unsafe condition, may affect your homeowner's insurance, and will void the warranty. Keep these instructions for future reference. Check with the appliance manufacturer's installation instructions for specific venting and clearance to combustible requirements, which may vary from one appliance to another. Be sure to comply with minimum or maximum distances of vertical or horizontal runs as prescribed in the appliance manufacturer's installation instructions.

## WARNING

- Always maintain required clearances (air spaces) to nearby combustibles to prevent a fire hazard. Do not fill air spaces with insulation. Be sure to check the vent termination clearance requirements from decks, windows, soffits, gas regulators, air supply inlets, and public walkways, as specified in these installation instructions and local building codes.
- The gas appliance and vent system must be

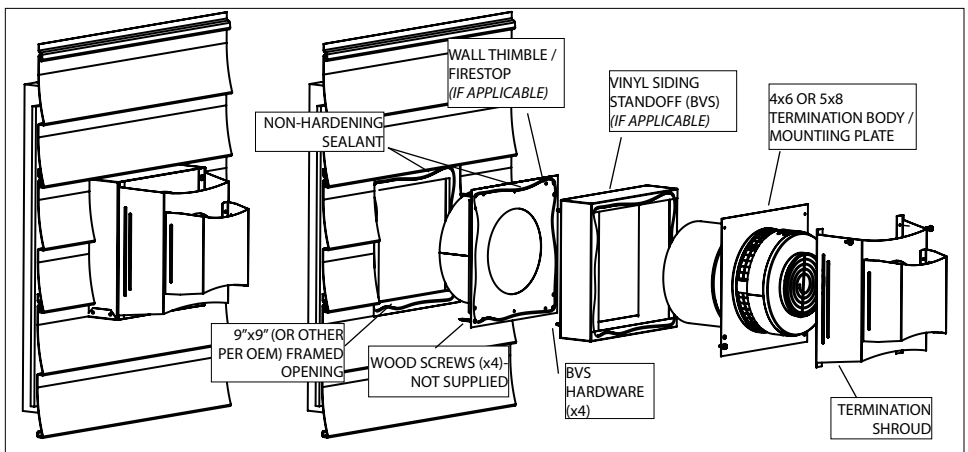
vented directly to the outside of the building, and never be attached to a chimney serving a separate solid fuel or gas-burning appliance. Each direct vent gas appliance must use its own separate vent system. Common vent systems are prohibited.

## H2 INSTALLATION

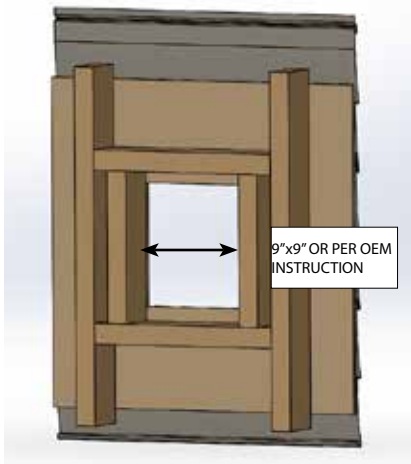
1. Determine the components required per local building codes and OEM installation instructions. These may include a wall thimble, a wall firestop and / or vinyl siding standoff (BVS), (**Fig.1**). (Note: When installing DirectVent Pro on appliances in Canada, a 2-piece wall thimble is required in order to comply with IR #41). Reference **Table 1** for H2 compatibility.

2. Determine the correct size of the wall penetration. This will be provided by the appliance OEM. Unless otherwise noted, the default dimension is a 9"x9" framed opening (**Fig.2**).

3. Mark the wall for the framed hole per Step 2. Unless otherwise specified by the appliance OEM, the center line of the pipe should line up with the center of the opening. Cut and frame the penetration in the exterior wall where the vent will be terminated (**Fig.1**).



**Figure 1- H2 Termination Assembly**



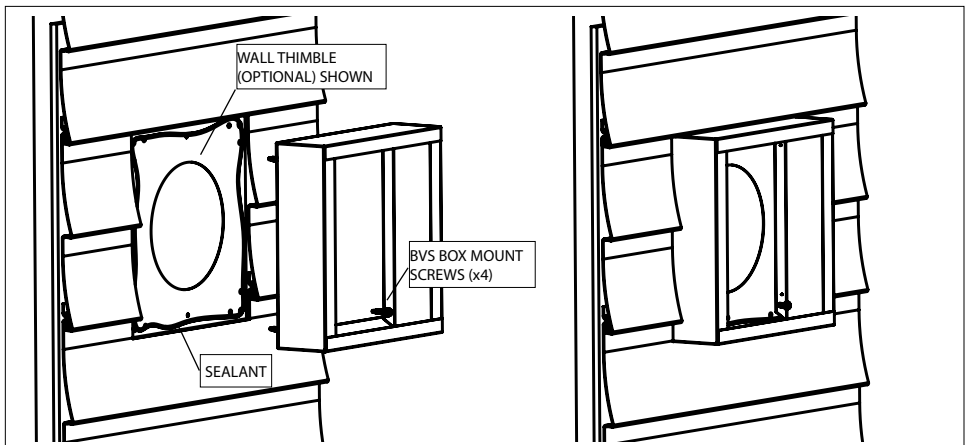
**Figure 2- H2 Termination Framing**

**WALL THIMBLE / WALL FIRESTOP**

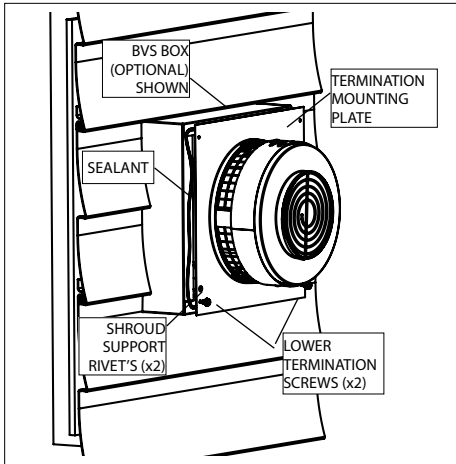
4. If required, the wall thimble and wall firestop are installed similarly, reference **Fig. 1**. Use wood screws, apply weather sealant prior to installation, ensure a tight seal. The four wood screws noted should be replaced with appropriate fasteners for use on brick, concrete, block, or other types of construction.

Table 1 -H2 Compatibility			
NAME	DESCRIPTION	YES	NO
XXDVA-DC	Decorative Cover	X	
XXDVA-WT	Wall Thimble		X
XXDVA-WTS	Wall Thimble- Small	χ*	
XXDVA-WTU	Wall Thimble- Universal	X	
XXDVA-WFS	Wall Firestop		X
XXDVA-WFS2	Wall Firestop- H2	X	
XXDVA-VSS	Vinyl Standoff- 1 pc		X
XXDVA-VSK	Vinyl Standoff- 4 pc		X
XXDVA-VSKS	Vinyl Standoff- 4 pc Small	X	
DVA-BVS	Vinyl Standoff- 1 pc Box	χ*	
XXDVA-CFK	Counter Flashing		X
XXDVA-CFKS	Counter Flashing- Small	X	
XXDVA-WG	Horizontal Wind Guard	X	

\* Preferred Component



**Figure 3- VSS Box**



**Figure 4- Termination Body**

**VINYL SIDING STANDOFF BOX (BVS)**

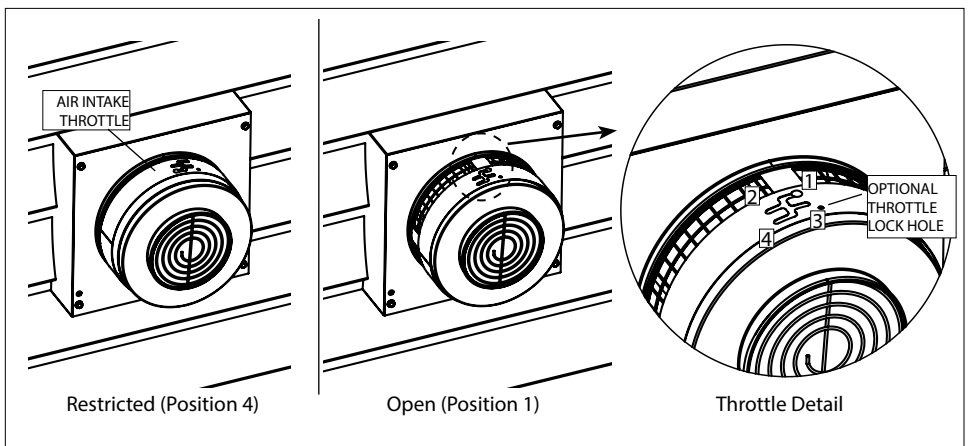
5. If installing a vinyl siding standoff box (BVS), reference **Fig.3**. The same BVS box works with both the 4x6 and 5x8 termination mounting plate. Depending on your installation requirements, install the standoff box to either the framed opening of the exterior wall (when no thimble is installed-use wood screws) or directly to the outside wall thimble plate (use included hardware).

Ensure "top" label is up, and flanges with pre-punched holes are towards the wall. Hardware installs from inside the box (no exposed hardware), recommended to use an extended bit. Apply non-hardening sealant prior to and after installation to ensure a tight seal. The BVS box may be painted.

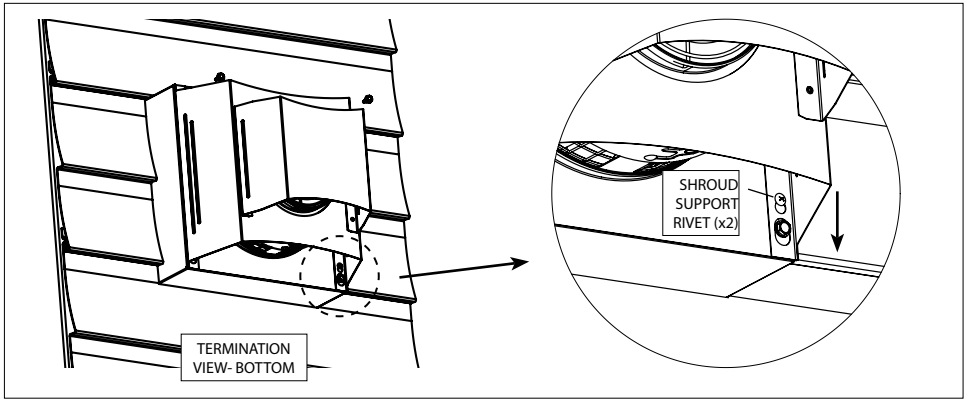
**TERMINATION BODY**

6. Determine the correct air intake throttle setting (**Fig.5**). This setting is provided by the OEM for your particular appliance. The default is "1- Open." Adjust throttle to required setting (rotate / move). An optional throttle lock hole is provided. A sheet metal screw may be driven to lock the throttle position.

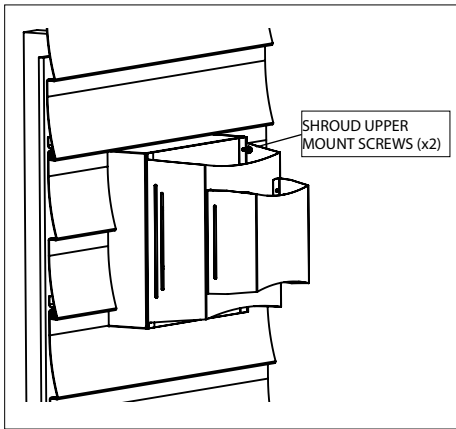
7. Install termination body (4x6 or 5x8) to either the framed opening of the exterior wall, the outside wall thimble plate, or to the vinyl siding standoff box, depending on your installation requirements (**Fig.4**). Ensure orientation, ("Top" label should be up, shroud support rivets should be down- **Fig.6**). Affix termination body initially only with the lower two screws (closest to the support rivets-**Fig.4,6**), use included hardware. **It is important the termination body is level to**



**Figure 5- Air Intake Throttle**



**Figure 6- Termination Shroud**



**Figure 7- Termination Shroud**

**prevent water entry.** The upper screws will be affixed in Step 8. Apply sealant as needed to ensure a weather-tight seal.

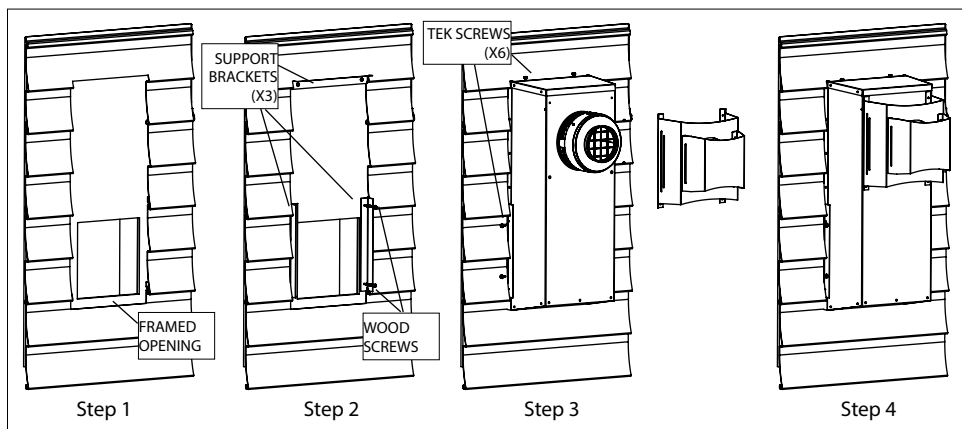
8. Once the termination body is in place, install the termination shroud to the termination mounting plate (**Fig.6**). Hang the shroud on the shroud support rivets (**Fig.6**), press the shroud down to “engage” the rivets into place. Align the upper shroud holes with the upper termination mounting plate

holes and attach using included hardware. It is recommended to use an extended bit. If needed, the air intake throttle may be re-adjusted at this time. The termination shroud may be painted, use a suitable high temp paint.

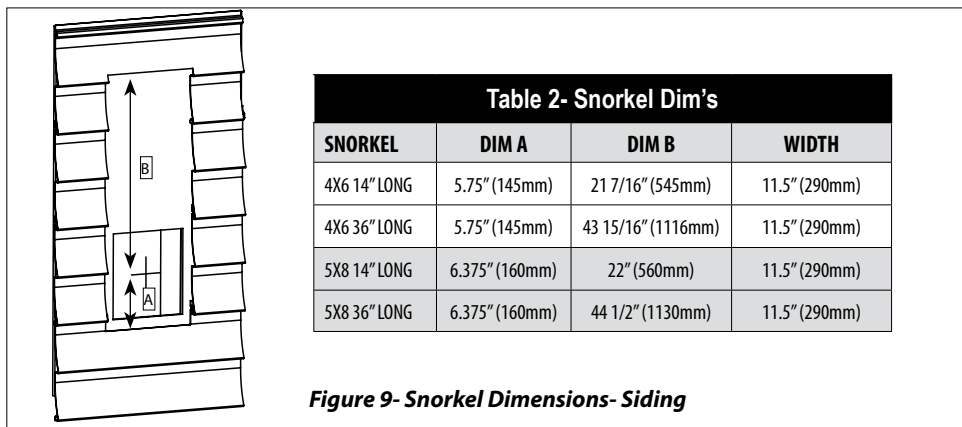
**OPTIONAL INSULATED DECORATIVE COVER**  
Optional insulated Decorative Cover is available, to reduce cold air infiltration through the wall penetration. This option is only available with OEM approval based on the specific appliance listing.

### **H2 SNORKEL INSTALLATION**

1. Follow Steps 1-4 from H2 INSTALLATION. A BVS box is not used with the snorkel.
2. If installing the snorkel with Vinyl Siding, cut siding away per **Fig.8,9**. Dimensions in **Table 2** are from center-line of pipe.
3. Install support brackets with wall side flanges going inward, Snorkel will be installed over these flanges (**Fig.8 Step 2-3**). Apply non-hardening sealant prior to and after installation to ensure a tight seal.
4. Once snorkel is installed, set air intake throttle as per Step 6 from H2 INSTALLATION per OEM guidance.
5. Affix termination shroud per Step 8 of H2 TERMINATION.



**Figure 8 - Snorkel Installation**



**Figure 9 - Snorkel Dimensions - Siding**

The base of the H2 Snorkel may be installed below grade. Critical to ensure proper fill materials and drainage are below the snorkel to prevent water ingress into snorkel or into the building structure. Ensure Termination of snorkel is at proper height for expected snow loads, and per OEM guidelines, etc. Unless otherwise directed by the Appliance OEM, maintain 2" clearance around snorkel body.

guidelines and Maintenance detailed in the Direct Vent Pro Installation instruction L954. This instruction is a supplemental document.

**IMPORTANT:** Follow all termination location

## M&G DURAVENT LIMITED LIFETIME WARRANTY

M&G DuraVent, Inc. ("DuraVent") provides this limited lifetime warranty for all of its products with the exception of Ventinox® (lifetime), and PolyPro® (ten years). Subject to the limitations set forth below, DuraVent warrants that its products will be free from defects in material or manufacturing, if properly installed, maintained and used. DuraVent products are fully warranted if installed only by a professional installer. This Warranty is transferable from the original homeowner to the buyer of the home. This warranty does not cover normal wear and tear, smoke damage or damage caused by chimney fires, acts of God, or any product that was: (1) purchased other than from an authorized DuraVent dealer, retailer or distributor; (2) modified or altered; (3) improperly serviced, inspected or cleaned; or (4) subject to negligence or any use not in accordance with the installation instructions included with the product as determined by DuraVent. Installation instructions are available online at [www.duravent.com](http://www.duravent.com) under Support/Literature and through our Customer Service Department 800-835-4429 or [customerservice@duravent.com](mailto:customerservice@duravent.com). This limited lifetime warranty applies only to parts manufactured by DuraVent.

DuraVent provides the following warranties for its products: One Hundred Percent (100%) MSRP 15 years from the date of purchase, and Fifty Percent (50%) thereafter, except for the following limitations on: all Termination Caps and DuraBlack® are warranted at One Hundred Percent (100%) for five years.

All warranty obligations of DuraVent shall be limited to repair or replacement of the defective product pursuant to the terms and conditions applicable to each product line. These remedies shall constitute DuraVent's sole obligation and sole remedy under this warranty. This warranty provides no cash surrender value. The terms and conditions of this warranty may not be modified, altered or waived by any action, inaction or representation, whether oral or in writing, except upon the express, written authority of an executive officer of DuraVent.

Corn, bio-fuels, driftwood or other wood containing salt, preservative-treated lumber, plastic and household trash or garbage, or wood pellets containing such materials must not be burned in the appliance or fireplace. In case of a chimney fire, the chimney must be inspected and approved by a certified Chimney Sweep before reuse. After each annual inspection, maintenance, and cleaning, the certified Chimney Sweep must fill out and date the appropriate section of the warranty card provided with the chimney liner.

LIMITATIONS ON INTERNET SALES: Notwithstanding any other terms or conditions of this Limited Lifetime Warranty, DuraVent provides no warranty for the following specific products if such products are not installed by a qualified professional installer: DuraTech®, DuraPlus HTC®, DuraChimney® II, PelletVent Pro®, DirectVent Pro®, FasNSeal®, FasNSeal® W2, FasNSeal® Flex, and PolyPro®, and M&G DuraVent's relining products including DuraLiner®, DuraFlex® (SW, Pro, 316, 304), and Ventinox®. For purposes of this warranty, a trained professional installer is defined as one of the following: licensed contractors with prior chimney installation experience, CSIA Certified Chimney Sweeps, NFI Certified Specialists, or WETT Certified Professionals.

DuraVent must be notified and given the opportunity to inspect defective product prior to replacement under the terms of this limited lifetime warranty. All warranty claims must be submitted with proof of purchase. Labor and installation costs are not covered under this warranty. To obtain warranty service contact: DuraVent Warranty Service, 877 Cotting Ct., Vacaville CA 95688, or call 800-835-4429.

WHERE LAWFUL, DURAVENT DISCLAIMS ALL OTHER WARRANTIES, INCLUDING BUT NOT LIMITED TO IMPLIED WARRANTIES OF MERCHANTABILITY AND FITNESS FOR A PARTICULAR PURPOSE. IN NO EVENT WILL DURAVENT BE LIABLE FOR INCIDENTAL, CONSEQUENTIAL, PUNITIVE OR SPECIAL DAMAGES OR DIRECT OR INDIRECT LOSS OF ANY KIND, INCLUDING BUT NOT LIMITED TO PROPERTY DAMAGE AND PERSONAL INJURY. DURAVENT'S ENTIRE LIABILITY IS LIMITED TO THE PURCHASE PRICE OF THIS PRODUCT. SOME STATES DO NOT ALLOW LIMITATIONS ON IMPLIED WARRANTIES, OR THE EXCLUSION OR LIMITATION OF INCIDENTAL OR CONSEQUENTIAL DAMAGES, SO THE ABOVE LIMITATIONS AND EXCLUSIONS MAY NOT APPLY TO YOU. THIS LIMITED WARRANTY GIVES YOU SPECIFIC LEGAL RIGHTS, AND YOU MAY ALSO HAVE OTHER RIGHTS THAT VARY FROM STATE TO STATE.

For the most up-to-date installation instructions, see [www.duravent.com](http://www.duravent.com)

REV 3.22.2012

Manufactured in Vacaville CA and Albany NY

# DuraVent

Member of  M&G Group

**Customer Service Support 800-835-4429 707-446-4740 FAX [www.duravent.com](http://www.duravent.com)**

DirectVent Pro is a registered trademark of the M&G DuraVent, Inc.

All rights reserved. Made in the USA. M&G DuraVent is a member of M&G Group. ©2012

820014530 L954H2