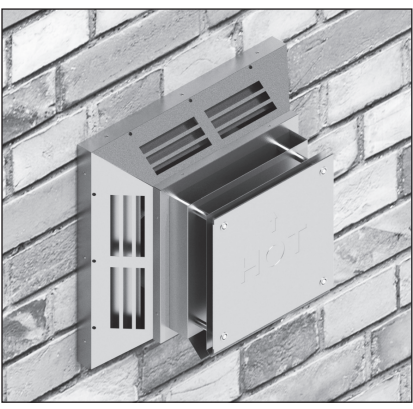


# DIRECT VENT PRO

## HORIZONTAL COLINEAR RELINE KIT

### Installation Instructions



Venting System For Direct Vent  
Gas Stoves and Fireplaces

**VENTING SYSTEM FOR DIRECT VENT GAS STOVES AND FIREPLACES**

*For the most up-to-date installation instructions, see [www.duravent.com](http://www.duravent.com)*

**CONTENTS**

**Application** ..... 2  
**System Installation Image** ..... 3  
**Warning** ..... 4  
**Termination Installation** ..... 4-6  
**Warranty** ..... 8

**A MAJOR CAUSE OF VENT RELATED FIRES IS FAILURE TO MAINTAIN REQUIRED CLEARANCES (AIR SPACES) TO COMBUSTIBLE MATERIALS. CHECK WITH THE APPLIANCE MANUFACTURER FOR CLEARANCE REQUIREMENTS.**

**Dear Customer, Installer, or End User:**

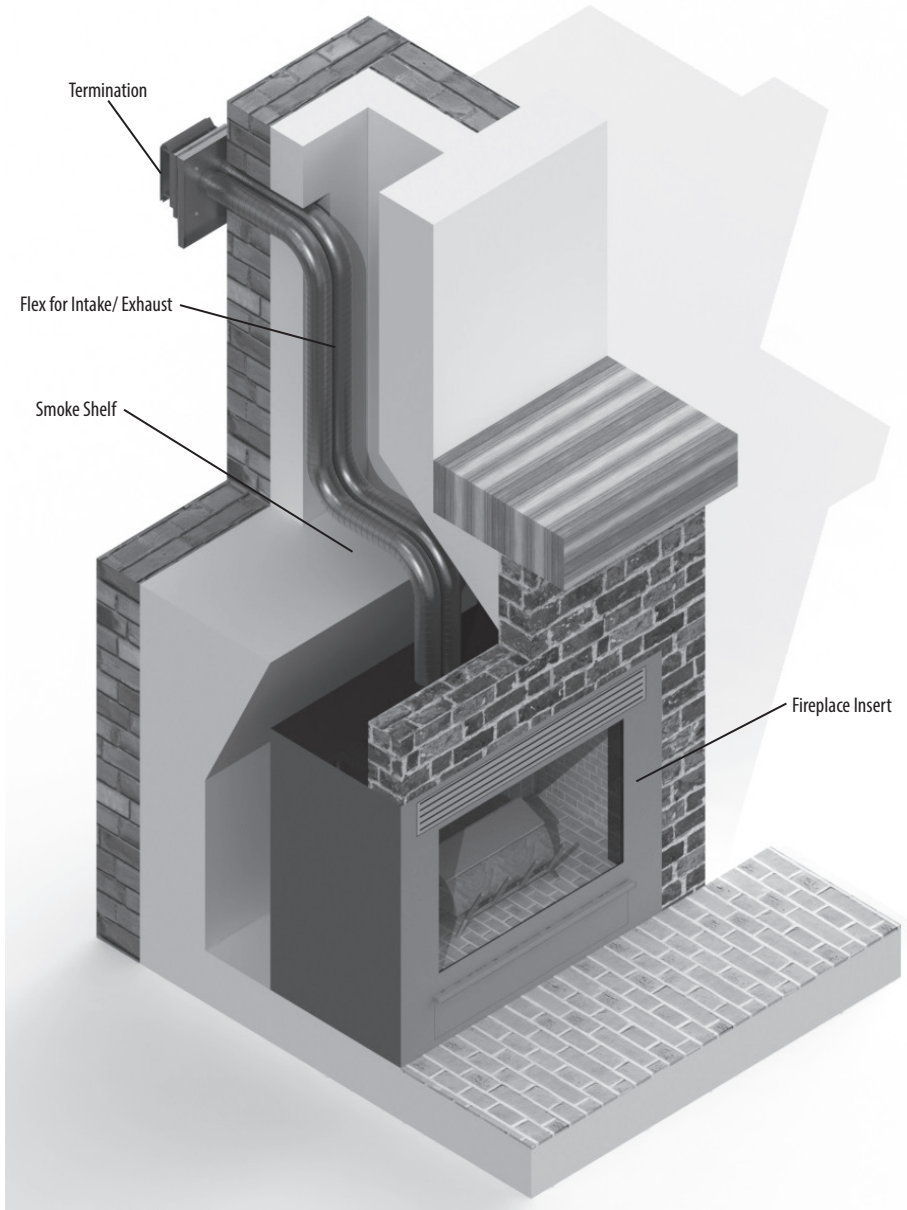
We welcome any comments regarding matters pertaining to our DuraVent products.

If you are searching for tech support or product information, please call us at 800-835-4429.

Or email us at:  
[techsupport@duravent.com](mailto:techsupport@duravent.com)

**APPLICATION**

This instruction applies to the DuraVent DirectVent Pro termination system and is intended as a supplement to the applicable DirectVent Pro Instructions. This termination and venting system, in combination with the gas appliance, has been tested and listed by an accredited test agency. Check the manufacturer’s rating plate and instruction manual to confirm that the DuraVent Horizontal Colinear Reline Kit is approved for use on the appliance you have selected.



**Figure 1**

## IMPORTANT

Read all instructions carefully before starting the installation. Failure to follow these instructions may create a fire hazard or other unsafe condition, may affect your homeowner's insurance, and will void the warranty. Keep these instructions for future reference. Installation instructions may vary from one appliance to the next. Be sure to check with the appliance manufacturer's installation instructions closely for details on:

- Cleaning and inspecting a masonry chimney to determine suitability.
- Venting specifics that determine minimum and maximum vertical rise and horizontal run.
- Any need to adjust vent restrictors or baffles.
- Advice on fixing or removing a damper door.
- Clearance requirements to combustible materials etc.

Be sure to comply with minimum or maximum distances of vertical or horizontal runs as prescribed in the appliance manufacturer's installation instructions.

The top section of the masonry must be watertight to prevent moisture from entering the masonry chimney and causing damage. Consult the local building authority for more information on how to seal the damaged or unused masonry section.

## WARNING

- Always maintain required clearances (air spaces) to nearby combustibles to prevent a fire hazard. Be sure to check the vent termination clearance requirements from decks, windows, soffits, gas regulators, air supply inlets, and public walkways, as specified in these installation instructions and local building codes.
- The gas appliance and vent system must be vented directly to the outside of the building, and never be attached to a chimney serving a separate solid fuel or gas-burning appliance. Each direct vent gas appliance must use its own separate vent system. Common vent systems are prohibited.

## HORIZONTAL COLINEAR RELINE KIT INSTALLATION

1. Determine the components required per local building codes and OEM installation instructions.

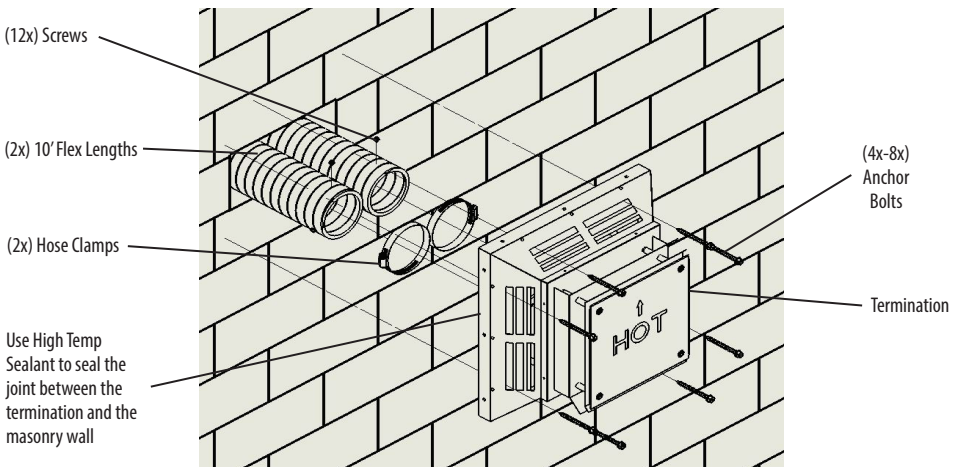
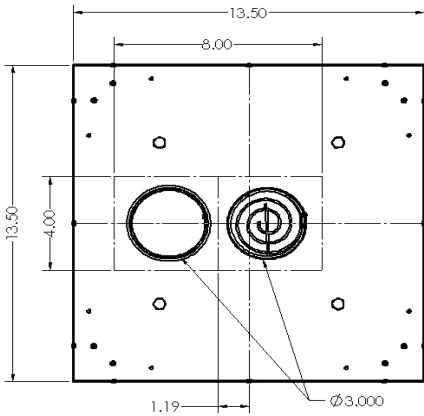


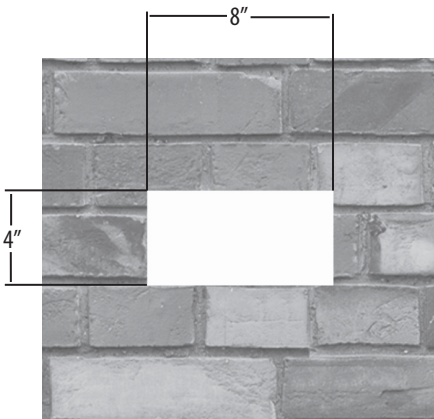
Figure 2



**Figure 3**

2. Mark the wall where the hole should be cut. (Note: The flex does not mount to the center of the termination. When viewing the back plate of the termination, the hole will be shifted about 1.1875" to the right. (Fig.3) Once the hole has been marked, cut the hole in the masonry.

3. The hole should only be as large as necessary to pass the two flex lengths through the masonry wall into the existing chimney flue. **IMPORTANT:** Avoid removing too much material, as this could weaken the chimney structure. The approximate hole size should be 8" (width) x 4" (height.) (Fig.4).



**Figure 4**

4. Measure the length of flex that will be needed to attach the appliance to the termination. This can be done by feeding a weighted rope through the termination hole in the masonry and then reach up through the damper section to grab the end of the rope from on top of the smoke shelf. Mark the rope at the correct install length.

5. Each length of aluminum flex comes compressed from the factory. Stretch each length to match the length that was measured with the rope from Step 4. Add an extra foot of length to allow for a larger bend radius as the flex will transition from a horizontal run to a vertical rise. Each flex length can be stretched to a maximum length of 10 feet. Do not stretch the flex longer than needed, as this will allow the flex to sag within the chimney.

**Note:** Do not stretch the flex to a length that is more than 10 feet. Over-stretching can tear the flex.

6. Attach the flex to the termination using the hose clamps (Fig.5). The flex length with the red tape is to be used for the exhaust. The small screws that are provided with the hose clamps can be used for extra security when attaching the flex. Equally space 3 screws around the diameter at each end of the flex lengths.

7. Run the flex down through the chimney and smoke-shelf to the appliance location. The weighted rope can be used to help pull the flex down through the smoke-shelf and damper section to the appliance location. When using this approach, a helper will be required to feed flex into the masonry opening from the top side. Caution must be taken to prevent tearing the flex.

8. Fix each length of flex to the appliance's intake and exhaust collars according to the appliance manufacturer's instructions. Hose clamps and small screws have been provided with our kit for this purpose (Note: The flex length marked with red tape is the exhaust.)

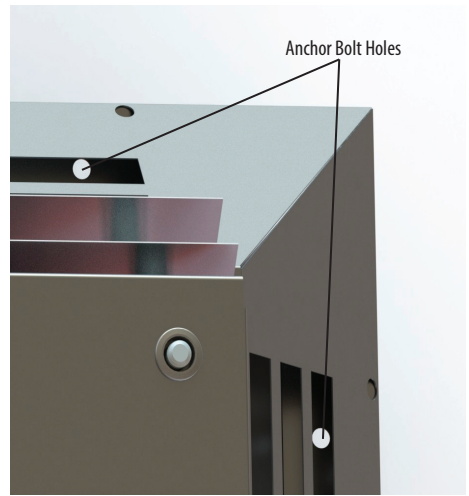
9. Place the termination on the wall and mark the location of the holes that will be used to attach the termination to the masonry chimney.

Only 4 anchor bolts will be needed to attach the termination (1 bolt in each corner.) Additional anchor bolts can be used for extra security if desired. If possible, avoid drilling anchor bolt holes in the mortar. The brick will provide a stronger attachment point. Also try to avoid drilling holes near the edge of the brick. This could cause the brick to crack.

10. Drill the pilot holes in the marked hole locations with a 5/32" masonry bit. The holes should be at least 2" deep.

11. Use 3/16" x 2 3/4" Tapcon screws (or similar masonry anchor bolt) to attach the termination to the masonry. The diameter of the anchor bolt head must be less than 0.4375" to fit through the vent slot over the anchor bolt hole location. (See **Fig.6** for details on where to insert anchor bolts.) Make sure that the hot arrow on the front of the termination is pointing up. (**Fig.7**)

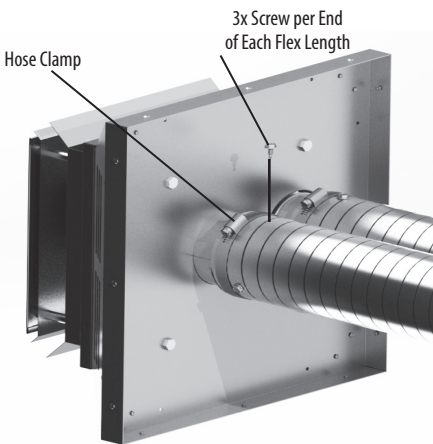
12. Seal the seam between the termination and wall with 500RTV High Temperature Silicone sealant to prevent water from entering the chimney. Leave the bottom edge of the termination unsealed, so that any water that gets behind the termination can drain through the bottom seam.



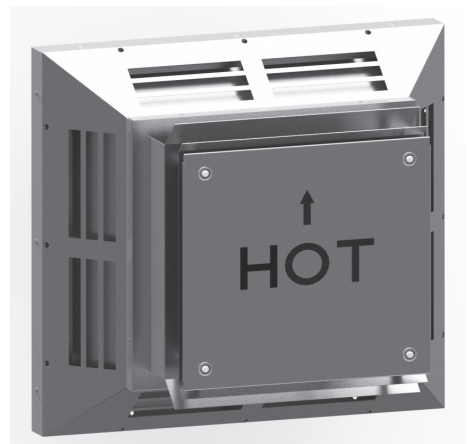
**Figure 6**

**IMPORTANT:** Follow all termination location guidelines and Maintenance detailed in the Direct Vent Pro Installation instruction L954.

This instruction is a supplemental document.



**Figure 5**



**Figure 7**

**THIS PAGE IS INTENTIONALLY LEFT BLANK**

## DURAVENT LIMITED LIFETIME WARRANTY

DuraVent, Inc. provides this limited lifetime warranty for all of its products with the exception of Ventinox® (lifetime), and PolyPro® (ten years). Subject to the limitations set forth below, DuraVent warrants that its products will be free from defects in material or manufacturing, if properly installed, maintained and used. DuraVent products are fully warranted if installed only by a professional installer. This Warranty is transferable from the original homeowner to the buyer of the home. This warranty does not cover normal wear and tear, smoke damage or damage caused by chimney fires, acts of God, or any product that was: (1) purchased other than from an authorized DuraVent dealer, retailer or distributor; (2) modified or altered; (3) improperly serviced, inspected or cleaned; or (4) subject to negligence or any use not in accordance with the installation instructions included with the product as determined by DuraVent. Installation instructions are available online at [www.duravent.com](http://www.duravent.com) under Support/Literature and through our Customer Service Department 800-835-4429 or [customerservice@duravent.com](mailto:customerservice@duravent.com). This limited lifetime warranty applies only to parts manufactured by DuraVent.

DuraVent provides the following warranties for its products: One Hundred Percent (100%) MSRP 15 years from the date of purchase, and Fifty Percent (50%) thereafter, except for the following limitations on: all Termination Caps and DuraBlack® are warranted at One Hundred Percent (100%) for five years.

All warranty obligations of DuraVent shall be limited to repair or replacement of the defective product pursuant to the terms and conditions applicable to each product line. These remedies shall constitute DuraVent's sole obligation and sole remedy under this warranty. This warranty provides no cash surrender value. The terms and conditions of this warranty may not be modified, altered or waived by any action, inaction or representation, whether oral or in writing, except upon the express, written authority of an executive officer of DuraVent.

Corn, bio-fuels, driftwood or other wood containing salt, preservative-treated lumber, plastic and household trash or garbage, or wood pellets containing such materials must not be burned in the appliance or fireplace. In case of a chimney fire, the chimney must be inspected and approved by a certified Chimney Sweep before reuse. After each annual inspection, maintenance, and cleaning, the certified Chimney Sweep must fill out and date the appropriate section of the warranty card provided with the chimney liner.

LIMITATIONS ON INTERNET SALES: Notwithstanding any other terms or conditions of this Limited Lifetime Warranty, DuraVent provides no warranty for the following specific products if such products are not installed by a qualified professional installer: DuraTech®, DuraPlus HTC®, DuraChimney® II, PelletVent Pro®, DirectVent Pro®, FasNSeal®, FasNSeal® W2, FasNSeal® Flex, and PolyPro®, and DuraVent's relining products including DuraLiner®, DuraFlex® (SW, Pro, 316, 304), and Ventinox®. For purposes of this warranty, a trained professional installer is defined as one of the following: licensed contractors with prior chimney installation experience, CSIA Certified Chimney Sweeps, NFI Certified Specialists, or WETT Certified Professionals.

DuraVent must be notified and given the opportunity to inspect defective product prior to replacement under the terms of this limited lifetime warranty. All warranty claims must be submitted with proof of purchase. Labor and installation costs are not covered under this warranty. To obtain warranty service contact: DuraVent Warranty Service, 877 Cotting Ct., Vacaville CA 95688, or call 800-835-4429.

WHERE LAWFUL, DURAVENT DISCLAIMS ALL OTHER WARRANTIES, INCLUDING BUT NOT LIMITED TO IMPLIED WARRANTIES OF MERCHANTABILITY AND FITNESS FOR A PARTICULAR PURPOSE. IN NO EVENT WILL DURAVENT BE LIABLE FOR INCIDENTAL, CONSEQUENTIAL, PUNITIVE OR SPECIAL DAMAGES OR DIRECT OR INDIRECT LOSS OF ANY KIND, INCLUDING BUT NOT LIMITED TO PROPERTY DAMAGE AND PERSONAL INJURY. DURAVENT'S ENTIRE LIABILITY IS LIMITED TO THE PURCHASE PRICE OF THIS PRODUCT. SOME STATES DO NOT ALLOW LIMITATIONS ON IMPLIED WARRANTIES, OR THE EXCLUSION OR LIMITATION OF INCIDENTAL OR CONSEQUENTIAL DAMAGES, SO THE ABOVE LIMITATIONS AND EXCLUSIONS MAY NOT APPLY TO YOU. THIS LIMITED WARRANTY GIVES YOU SPECIFIC LEGAL RIGHTS, AND YOU MAY ALSO HAVE OTHER RIGHTS THAT VARY FROM STATE TO STATE.

For the most up-to-date installation instructions, see [www.duravent.com](http://www.duravent.com)

REV 05.26.17

Manufactured in Vacaville CA and Albany NY

# DuraVent®

**Customer Service Support: 800-835-4429 • 707-446-4740 FAX • [www.duravent.com](http://www.duravent.com)**

DirectVent Pro is a registered trademark of DuraVent, Inc.  
All rights reserved. Made in the USA. ©2012, 2017, 2020

L954-SUP\_820018997 DirectVent Pro Horizontal Vent Kit\_03-20-20\_V1