

DirectVent Pro® Co-Linear Adapter

DuraVent is proud to announce new & improved versions of our co-axial to co-linear appliance connector and chimney liner termination kit used with DirectVent Pro.

These are now available in addition to our original parts. These new eye-pleasing designs will be appreciated when venting a free-standing stove within a masonry chimney or suitable factory-built chimney.

Check with appliance manufacturer's installation instructions for approved installs.

CAP SIZE	ORDER #	STOCK #	EXHAUST	INTAKE
4" x 6 5/8"	46DVA-CLTA	810014142	3"	3"
4" x 6 5/8"	46DVA-34CLTA	810014340	4"	3"
4" x 6 5/8"	46DVA-34CLAA	810014339	4"	3"
4" x 6 5/8"	46DVA-CLAA	810014141	3"	3"

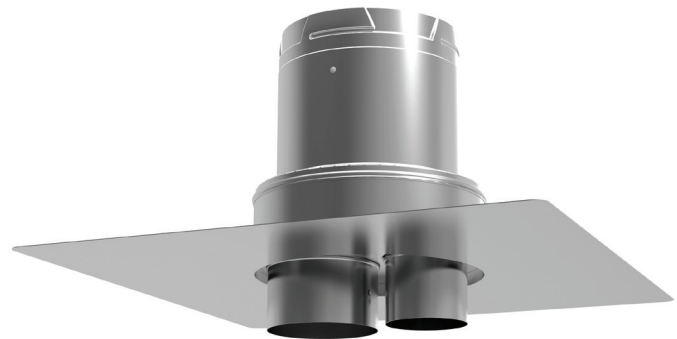
NOTE: Hardware is not provided with the adapter. 46DVA-34CLAA & 46 DVA-CLAA will be painted black from the factory.



46DVA-CLAA



46DVA-CLTA



46DVA-34CLTA

For current pricing and availability, please call customer service at (800) 835-4429.

Information published in all DuraVent bulletins is current at time of publication and is subject to change without notice.