

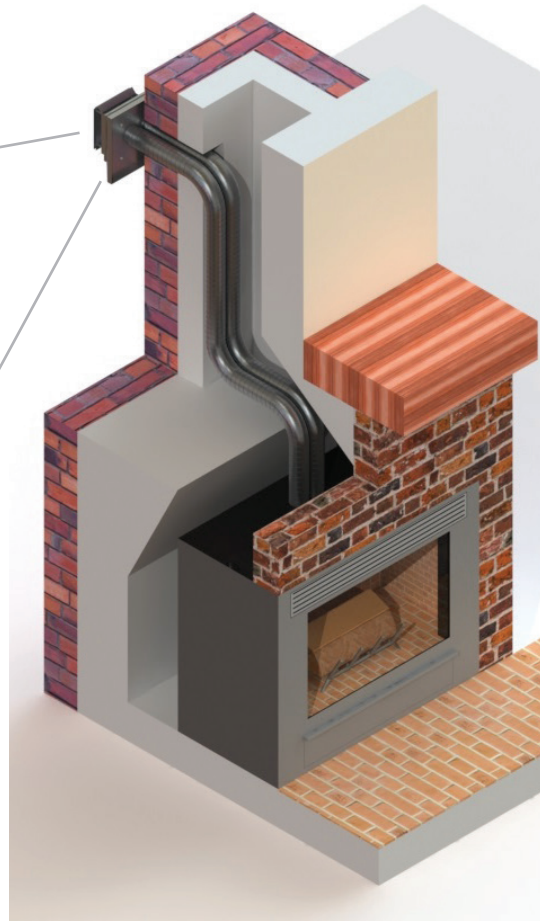
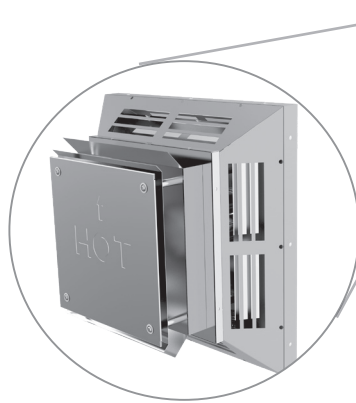
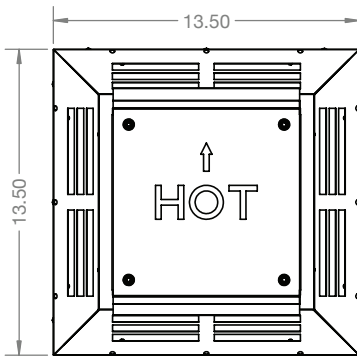
NEW! Horizontal Vent Kit for DV Inserts Available now for use with approved appliances.

Do you have an application where terminating the vent for a direct-vent gas appliance atop a masonry chimney may be difficult or impractical?

Our new Horizontal Vent Kit for DV Inserts could be the ideal solution! Our new Horizontal Vent Kit for DV Inserts allows you to vent an approved appliance horizontally through the back of a suitable masonry chimney.

Kit includes: Co-Linear Termination, Two 10' Aluminum Flex Lengths (3x3 or 3x4), and Hardware for Flex Attachment

CAP SIZE	ORDER #	STOCK #
4" x 6 5/8"	46DVA-HCL33	810016876
4" x 6 5/8"	46DVA-HCL34	810017010



For current pricing and availability, please call customer service at (800) 835-4429.

Information published in all DuraVent bulletins is current at time of publication and is subject to change without notice.