

DirectVent Pro® to CVS Adapters

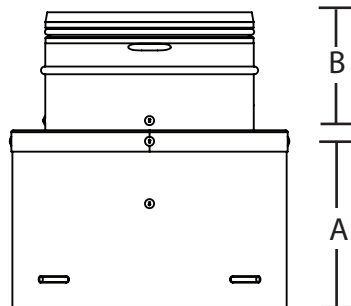
All too often builders find that installing a fireplace can result in having to add unsightly bulkheads or lowering ceiling heights to hide the vent. It is a disappointment that many veterans in the building, architectural or real estate business have experienced at least once. However, a more compact venting solution from DuraVent has ignited new hope among those who want to see fewer limitations on fireplace applications.

The solution combines the installation flexibility of power venting, while reducing the required vent space. DuraVent has designed four new reducing adapters to utilize compact 3 x 5 co-axial Concentric Venting System (CVS) pipe on gas fireplaces that would otherwise be vented with DirectVent Pro 46DVA or 58DVA venting. Some leading fireplace manufacturers are already using custom adapters in combination with DuraVent's CVS. Additionally, specialty adapters can be developed to suit almost any OEM need, which is exciting news for anyone who understands the value and desirability that fireplaces lend to a wide variety of residential and commercial properties.

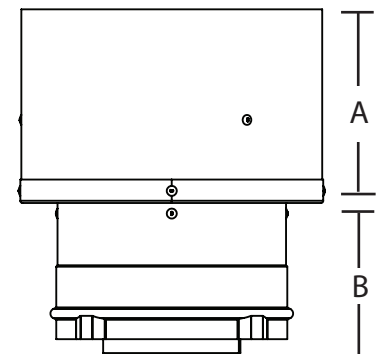
Testing and approval of CVS by the fireplace manufacturer is required for install. Check with the fireplace manufacturer's instructions for vent run requirements and limitations.

TRANSITION		ORDER #	STOCK #	A	B
FROM	TO				
46DVA	CVS	46DVA-X35CVS	810016992	4"	3"
58DVA	CVS	58DVA-X35CVS	810016994		
CVS	46DVA*	35CVS-X46DVA	810016993		
CVS	58DVA*	35CVS-X58DVA	810016997		

***Not a twist-lock connection. Slip connection will require screws to secure.**



DVA to CVS



CVS to DVA

For current pricing and availability, please call customer service at (800) 835-4429.

Information published in all DuraVent bulletins is current at time of publication and is subject to change without notice.