

DESIGN SPECIALTIES

MOUNTING INSTRUCTIONS FOR DIRECT VENT FIREPLACE FRONTS

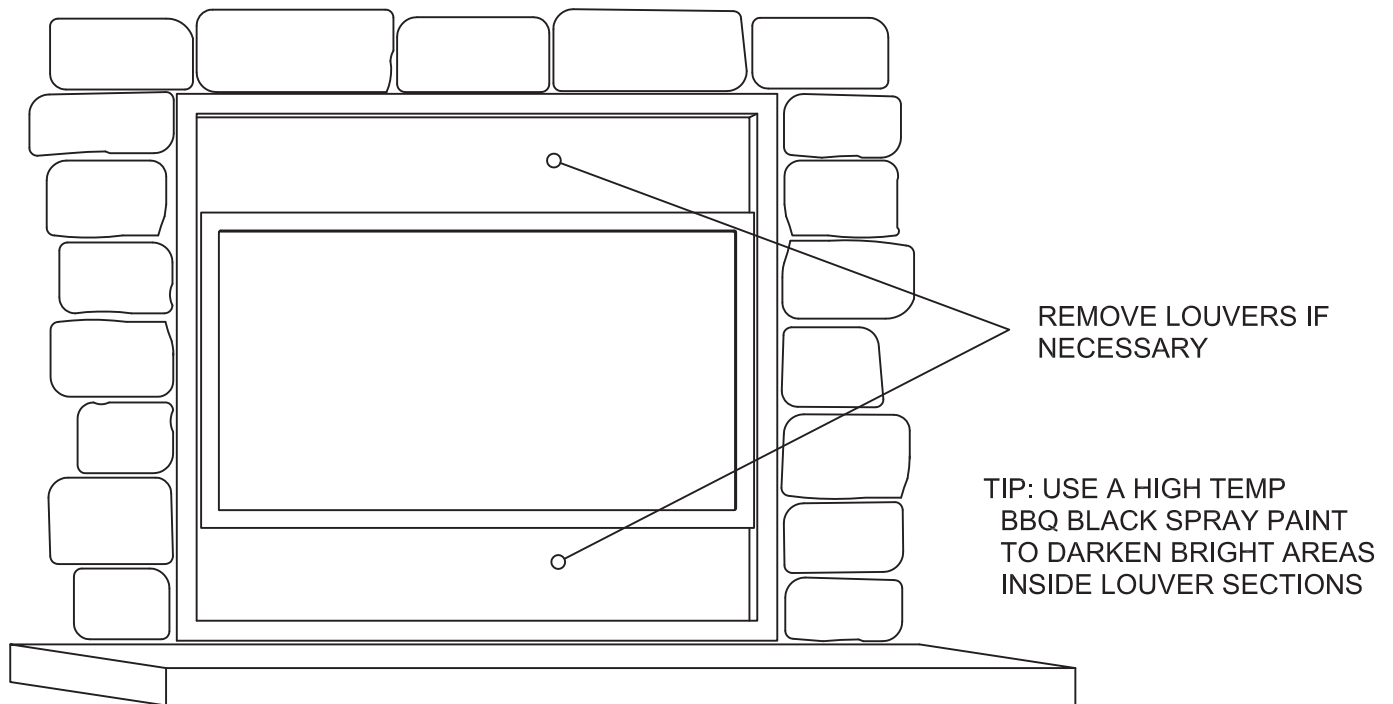
TOOLS NEEDED:
 PENCIL
 DRILL WITH 1/8" BIT
 PHILLIPS SCREWDRIVER

DV FRONT HARDWARE



4 SHIM WASHERS

8 SELF TAPING SHEET METAL SCREWS

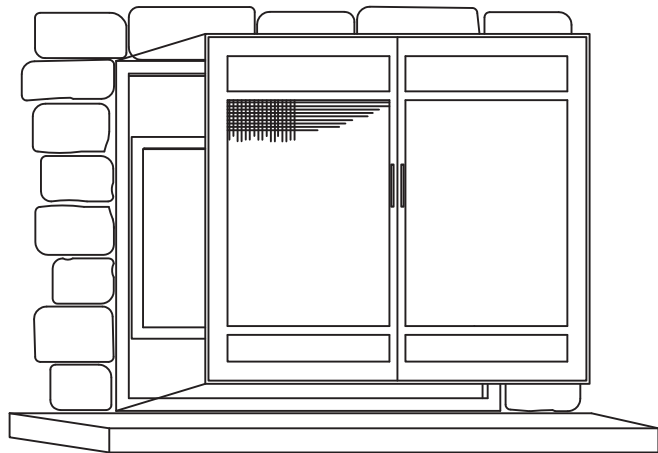


1. REMOVE FACTORY LOWER LOUVER SECTION
2. IT MAY BE NECESSARY TO REMOVE UPPER LOUVER IF IT INTERFERES WITH DOOR INSTALLATION

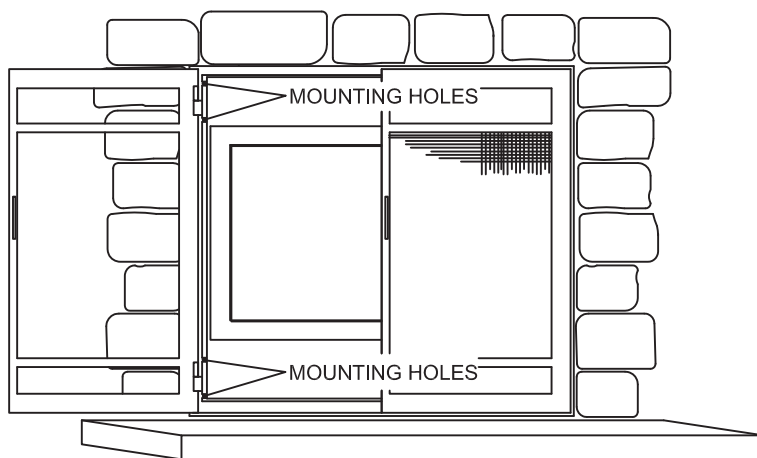
DESIGN SPECIALTIES

MOUNTING INSTRUCTIONS FOR DIRECT VENT FIREPLACE FRONTS

3. PLACE DV FRONT OVER OPENING



4. WHILE HOLDING IN PLACE, OPEN DOORS TO REVEAL MOUNTING HOLES NEAR HINGES ON FRAME



5. USE A PENCIL TO MARK HOLE LOCATIONS THROUGH HOLES AND ONTO OUTER FRAME OF THE FIREPLACE. IT IS EASIEST TO MARK JUST THE TOP HOLE OF EACH SIDE.

NOTE: SEE ALTERNATIVE MOUNTING METHOD IF MOUNTING HOLES DON'T LOCATE ONTO OUTER FIREPLACE FRAME.

6. REMOVE DOOR, USING A 1/8" DRILL, DRILL HOLES THROUGH THE FRAME ON THE PENCIL MARKS.
7. PLACE DOOR BACK AGAINST FIREPLACE AND SECURE DOOR FRAME TO FIREPLACE FRAME USING THE SCREWS PROVIDED.
8. CAREFULLY DRILL HOLES THROUGH THE REST OF THE MOUNTING HOLES AND SECURE WITH SCREWS.

