

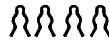
DESIGN SPECIALTIES MESH CURTAIN INSTALLATION FOR ALUMINUM FIREPLACE DOORS

COMPLETE MESH CURTAIN KIT

1 SMALL SCREW



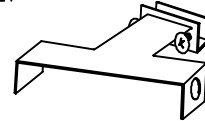
4 ROD RETAINERS



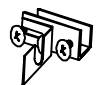
END BRACKET



BYPASS BRACKET



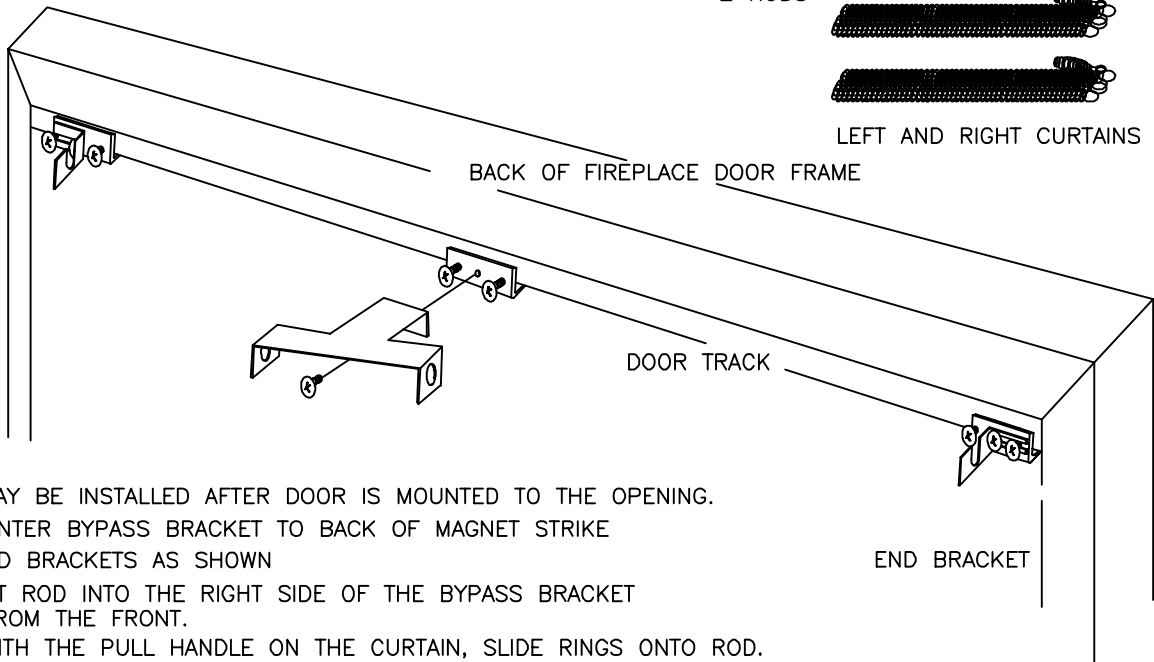
END BRACKET



2 RODS



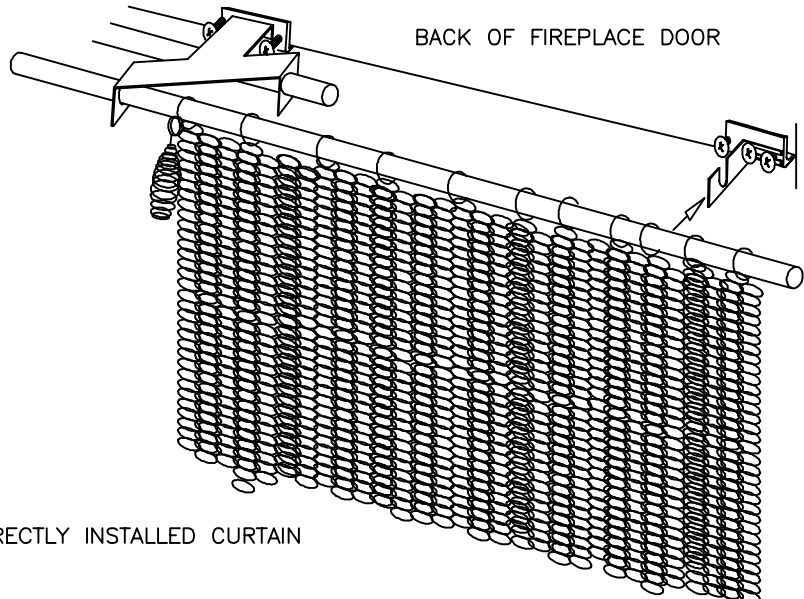
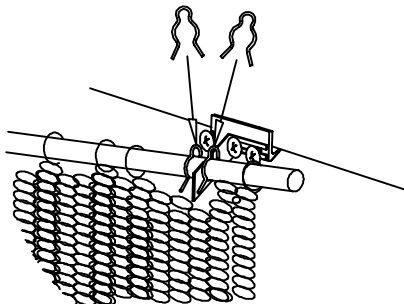
LEFT AND RIGHT CURTAINS



NOTE: CURTAINS MAY BE INSTALLED AFTER DOOR IS MOUNTED TO THE OPENING.

1. INSTALL CENTER BYPASS BRACKET TO BACK OF MAGNET STRIKE
2. INSTALL END BRACKETS AS SHOWN
3. INSERT LEFT ROD INTO THE RIGHT SIDE OF THE BYPASS BRACKET AS SEEN FROM THE FRONT.
4. STARTING WITH THE PULL HANDLE ON THE CURTAIN, SLIDE RINGS ONTO ROD. LIFT ROD UP AND PLACE LEFT END OF ROD INTO END BRACKET BETWEEN KEEPING THE LAST OR SECOND LAST CURTAIN RING TO THE OUTSIDE OF THE BRACKET. SLIDE THE ROD OUTWARD UNTIL T CONTACTS THE SIDES OF THE FIREPLACE.
5. REPEAT THIS PROCEDURE FOR THE RIGHT SIDE ROD. IF CURTAINS ARE INSTALLED CORRECTLY, THEY WILL OVERLAP AT THE CENTER WHILE CLOSED.
6. USE THE ROD RETAINERS TO KEEP THE ROD FROM SLIDING IN THE HOLDERS. PLACE ONE ON EACH SIDE OF THE END BRACKETS AS SHOWN

PLACE RETAINERS OVER ROD ON EACH SIDE OF THE END BRACKET TO KEEP ROD IN PLACE



GATE MESH DOOR INSTALLATION INSTRUCTIONS FOR ALUMINUM FIREPLACE DOORS

1. INSTALL PIVOT BRACKETS ONTO THE INSIDE OF THE BOTTOM DOOR TRACK AS SHOWN.
2. INSTALL BOTTOM GATE MESH PANEL PIVOT INTO PIVOT BRACKET WITH BRASS WASHER BETWEEN PANEL AND BRACKET. SEE FIG #1
3. PLACE A PIVOT BRACKET ONTO THE TOP GATE MESH PIVOT. TIP PANEL UP SO THE PIVOT BRACKET SLIPS ONTO THE INNER DOOR TRACK AT THE TOP. SNUG SCREWS. REPEAT THIS PROCEDURE FOR THE OTHER SIDE. SEE FIG #2.
4. ADJUST THE PANELS BY LOOSENING SCREWS AND MOVING BRACKETS TO GET THE PANELS TO ALIGN AT THE CENTER. SNUG ALL SCREWS.
5. INSTALL THE CLOSURE BRACKET ONTO THE TOP INSIDE DOOR TRACK. TIGHTEN THE BLACK SCREWS. SEE FIG #3

