

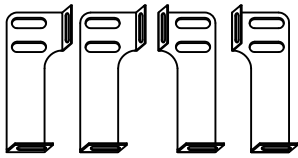
DESIGN SPECIALTIES

MOUNTING INSTRUCTIONS FOR DESIGN SPECIALTIES EXPRESSIONS SERIES MULTI-SIDED FIREPLACE DOORS

THESE FIREPLACE DOORS HAVE BEEN FULLY ASSEMBLED AND ADJUSTED PRIOR TO DISASSEMBLY AND PACKAGING.

THE BEST WAY TO ASSEMBLE AND INSTALL THESE FIREPLACE DOORS IS TO ASSEMBLE THE FIREPLACE ON THE FLOOR THEN WALK THE FIREPLACE DOOR ONTO THE OPENING.

DESIGN SPECIALTIES EXPRESSIONS SERIES
STANDARD HARDWARE, 1 KIT PER SIDE



2 LEFT AND 2 RIGHT BRACKETS



8 SCREWS



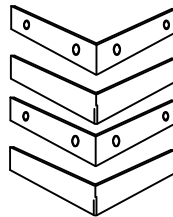
4 HEX NUTS



4 WING NUTS

- TOOLS NEEDED :
- PENCIL
 - 1/8" DRILL
 - PHILLIPS SCREWDRIVER
 - PLIERS OR 11/32" WRENCH
 - 3/32" ALLEN WRENCH (FOR ADJUSTMENT)

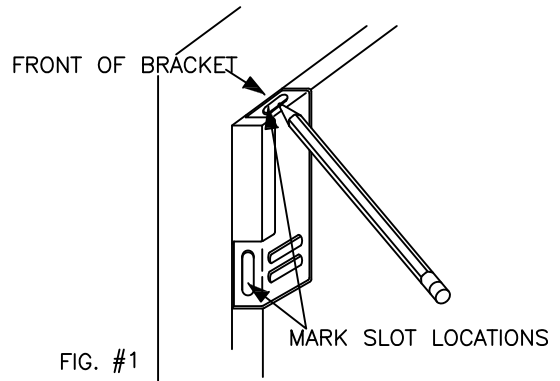
DESIGN SPECIALTIES
ADDITIONAL HARDWARE FOR MULTI SIDED UNITS



- CORNER ATTACHMENT ANGLES
- SET OF INSIDE (WITHOUT HOLES) AND
- OUTER WITH ALLEN SET SCREWS INSTALLED
- 1 OR 2 SETS PER CORNER AS REQUIRED

INSTRUCTIONS:

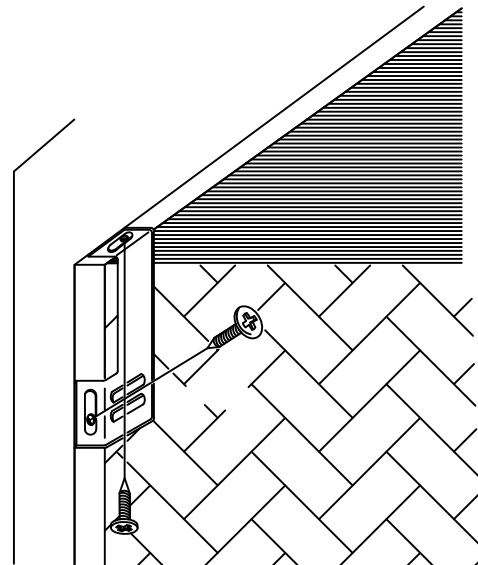
1. The mounting brackets are installed in each corner of the factory built fireplace as shown.
2. Place a bracket in the inside corner of the fireplace with the front edge of the bracket aligned with the front of the fireplace. The small tabs are to the front of the fireplace.
3. Use a pencil to mark slot locations. SEE FIG #1.
4. Repeat for all 4 inside corners of the fireplace.
5. Use a 1/8" drill to drill a hole in each of the marked slot locations.



6. Place bracket back into position and using the screws provided, attach brackets to the fireplace.

SEE FIG#2.

Fig #2

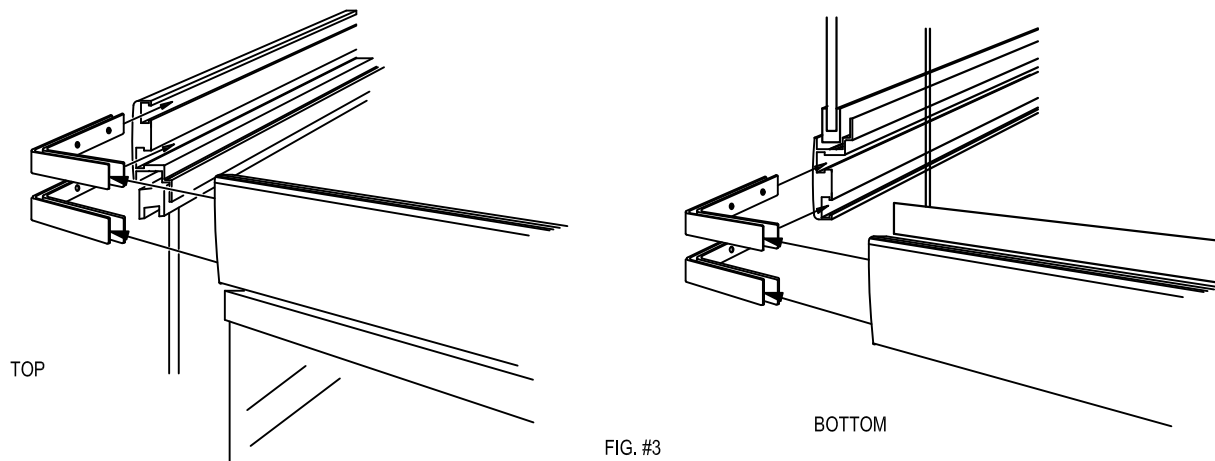


DESIGN SPECIALTIES

MOUNTING INSTRUCTIONS FOR DESIGN SPECIALTIES EXPRESSIONS SERIES MULTI-SIDED FIREPLACE DOORS

PROCEDURE TO ASSEMBLE FIREPLACE DOOR:

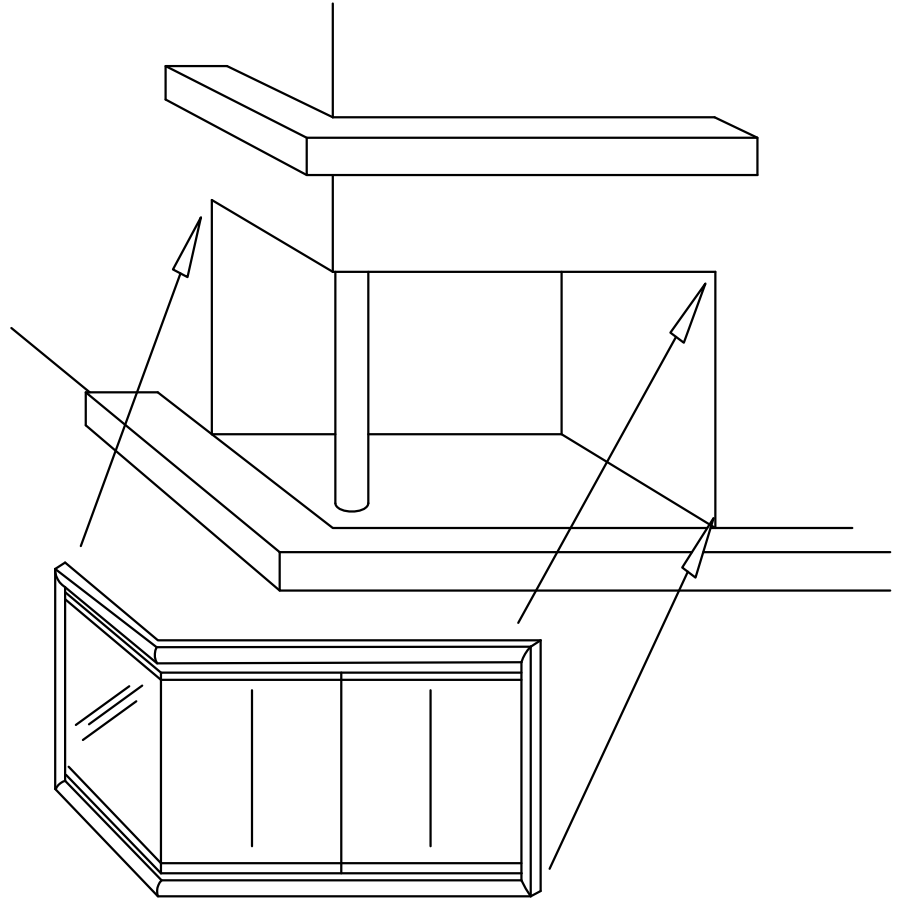
7. REMOVE FIREPLACE DOOR COMPONENTS FROM THE PACKAGING AND LAY THEM FACE DOWN ON A PROTECTED SURFACE, BEING CAREFUL NOT TO SCRATCH OR OTHERWISE DAMAGE THE FIREPLACE DOORS.
8. LOCATE THE HARDWARE PACKAGE(S)
FIND THE CORNER ANGLE PIECES AND REMOVE FROM THE REST OF THE MOUNTING HARDWARE.
9. MATCH CORNER PIECES AND SET THEM DOWN WITHIN REACH
SET CONSISTS OF A CORNER ANGLE PIECE WITHOUT HOLES AND A MATCHING PIECE WITH 4 SCREWS.
10. STARTING WITH THE LARGEST SIDE, SLIDE THE CORNER ANGLE PIECES INTO THE RECEIVERS ON THE BACK SIDE OF THE FRAME. THE CORNER ANGLE PIECE WITHOUT HOLES WILL BE IN BACK OF THE PIECE WITH HOLES AS SHOWN IN FIG # 3.



11. CAREFULLY STAND THE MAIN SIDE UP. (IT HELPS TO HAVE ANOTHER PERSON HELPING)
12. STAND UP SIDE 2 AND SLIDE THE TWO SIDES TOGETHER WITH THE CORNER ANGLE PIECES IN PLACE AS SHOWN IN ILLUSTRATION # 3.
13. PULL THE MITERED EDGES TOGETHER TO MATCH AND SNUG THE SCREWS.
14. THE BOTTOM CORNER IS THE SAME AS JOINING THE TOP CORNER.
15. 4 SCREWS ARE INSERTED FROM THE BACK OF THE DOOR, THROUGH THE DRAFT ASSEMBLY, AND INTO THE THREADED HOLES IN THE CORNER ANGLE PIECE. SNUG THE SCREWS UP, PUSH THE CORNER TOGETHER AND TIGHTEN THE SCREWS.
REPEAT THIS PROCEDURE IF FIREPLACE DOOR HAS ADDITIONAL SIDES.

DESIGN SPECIALTIES

MOUNTING INSTRUCTIONS FOR DESIGN SPECIALTIES EXPRESSIONS SERIES MULTI-SIDED FIREPLACE DOORS



ASSEMBLE DOOR THEN CAREFULLY PLACE INTO OPENING

The fireplace door attaches to the brackets with the 4 studs located on the backside of the fireplace door.

16. Place door onto opening, align studs with the slots in the brackets. It may be necessary to move the stud slightly in the frame. Loosen the stud with a $3/32$ " allen wrench. Slide the stud up or down to align with the bracket, retighten the stud.
17. Using the nuts provided, secure the fireplace door to the brackets. Wing nuts are provided which makes installation easier. Clearance between fireplace door and the inside of the firebox may make the wing nuts difficult to use. SEE FIG #4.

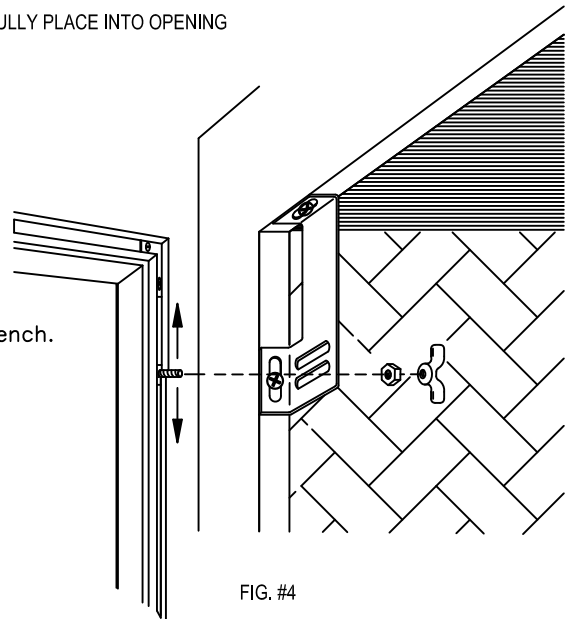
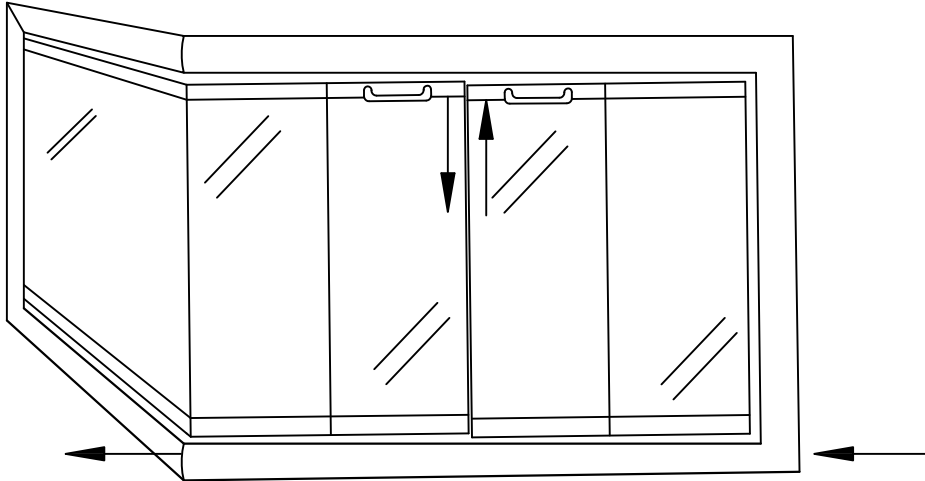


FIG. #4

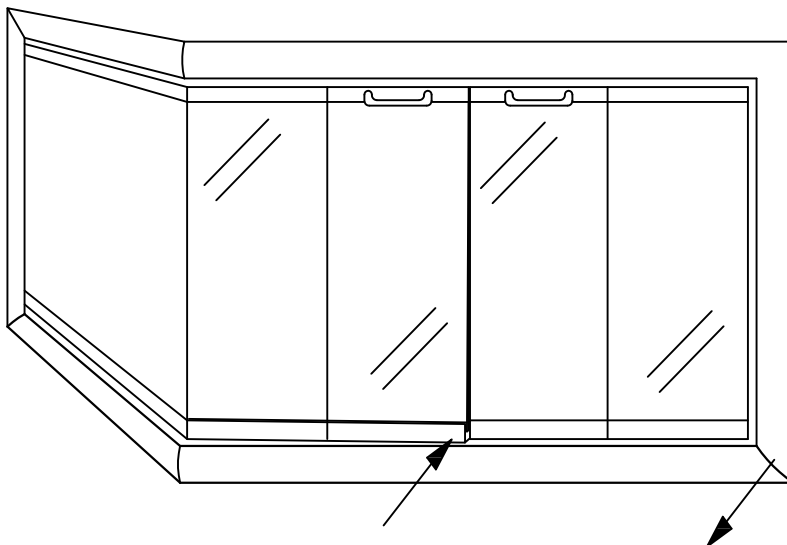
MULTI – SIDED FIREPLACE DOOR ADJUSTMENTS

OUR FIREPLACE DOORS ARE FULLY ASSEMBLED AND ADJUSTED PRIOR TO LEAVING THE FACTORY. HOWEVER, THE GLASS DOORS MAY HAVE SHIFTED DURING SHIPMENT, REQUIRING AN ADJUSTMENT TO GET THE GLASS DOORS TO HANG PROPERLY.



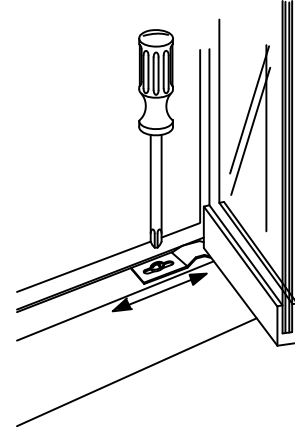
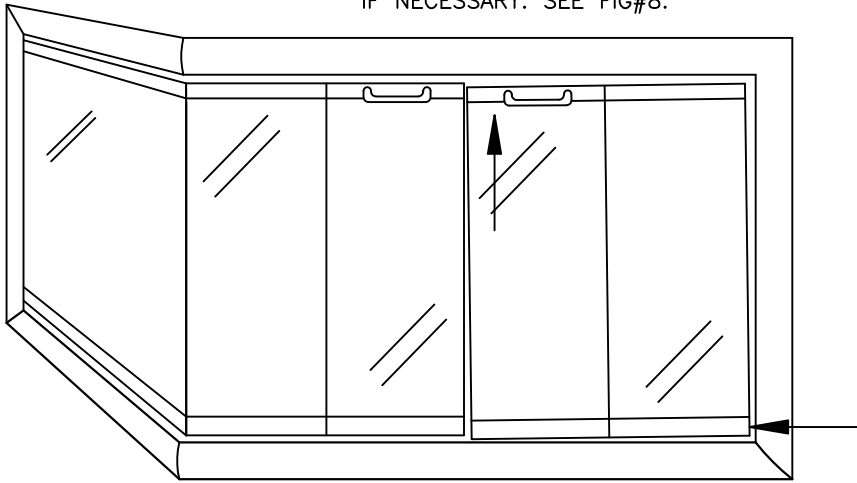
AFTER INSTALLING THE FIREPLACE DOOR, CHECK HOW DOORS OPERATE. CHECK THE GAPS AT THE CENTER AND BETWEEN THE GLASSDOORS AND THE FRAME. IF THE GAPS ARE THE SAME BUT THE TOPS ARE NOT IN ALIGNMENT, IT MAY BE NECESSARY TO MOVE THE BOTTOM FRAME OVER TO BRING THE TOPS OF THE GLASS DOORS INTO ALIGNMENT. LOOSEN THE MOUNTING STRAPS AND MOVE THE BOTTOM OVER SLIGHTLY UNTIL THE GLASS DOORS ARE IN ALIGNMENT. RETIGHTEN THE MOUNTING STRAP. SEE FIG. #6.

17. IF ONE DOOR STICKS OUT FROM THE OTHER ONE, YOU WILL NEED TO MOVE ONE OF THE CORNERS OF THE FRAME OUT SLIGHTLY. ON THE SIDE THAT THE GLASS DOORS ARE IN FROM THE OTHER DOOR, LOOSEN THE NEAREST MOUNTING STRAP AND PULL THE DOOR FORWARD UNTIL THE DOORS ARE IN ALIGNMENT. RETIGHTEN MOUNTING STRAP. SEE FIG #7

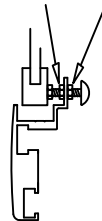
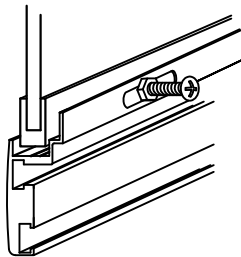
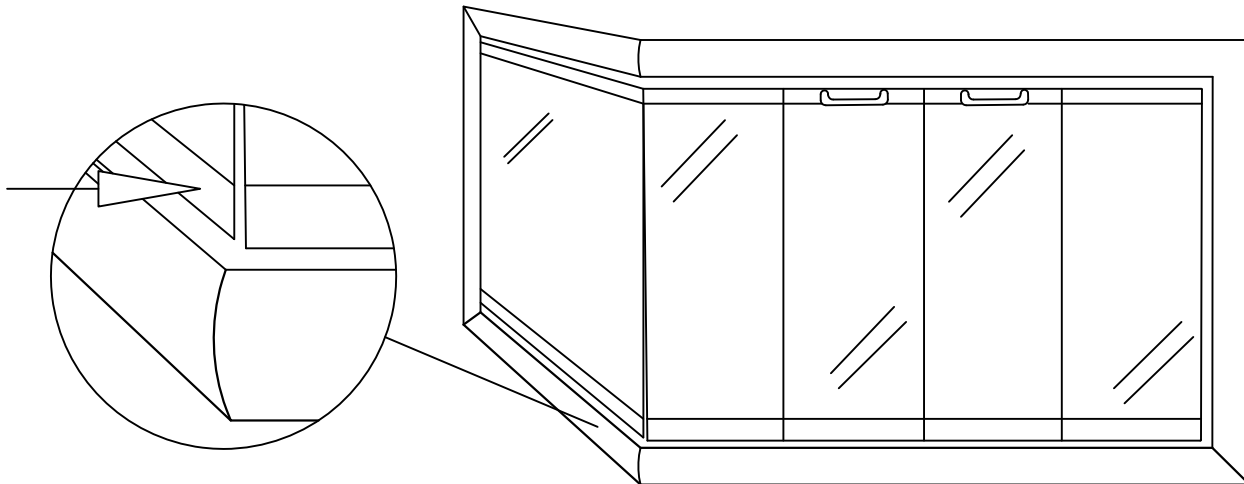


MULTI – SIDED FIREPLACE DOOR ADJUSTMENTS

18. IF THE GAP BETWEEN THE GLASS AT THE CENTER IS DIFFERENT TOP TO BOTTOM, YOU WILL NEED TO ADJUST THE HINGES. THE GAP SHOULD BE APPROXIMATELY 1/16" BETWEEN THE GLASS DOORS AT THE CENTER (1/8" FOR DOORS FOR FACTORY BUILT FIREPLACES). DETERMINE WHICH HINGE IS OUT OF ALIGNMENT. USING A PHILLIPS SCREWDRIVER, LOOSEN THE SCREW THAT HOLDS THE HINGE TO THE FRAME, AND SLIDE THE HINGE OVER SLIGHTLY AND RETIGHTEN. CHECK THE DOOR OPERATION, AND REPEAT THIS PROCEDURE IF NECESSARY. SEE FIG#8.



19. AFTER OPERATING DOORS ARE ADJUSTED, IT MAY BE NECESSARY TO ADJUST THE GLASS TO GLASS CORNER TO MEET CORRECTLY. LOOSEN THE NUT BEHIND THE SCREW HEAD, THEN TURN BOTH NUTS EITHER CLOCKWISE TO BRING THE FIXED GLASS PANEL IN, OR COUNTERCLOCKWISE TO PUSH THE FIXED GLASS PANEL OUT UNTIL IT MEETS THE OPERATING GLASS PANEL. RETIGHTEN THE NUT BEHIND THE SCREW HEAD. SEE FIG #9



LOOSEN, THEN TURN BOTH COUNTERCLOCKWISE TO MOVE GLASS OUT, CLOCKWISE TO DRAW GLASS IN, THEN TIGHTEN OUTER NUT.