

DESIGN SPECIALTIES

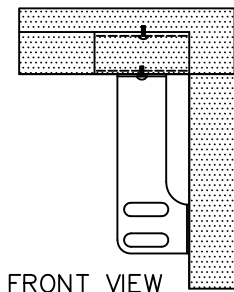
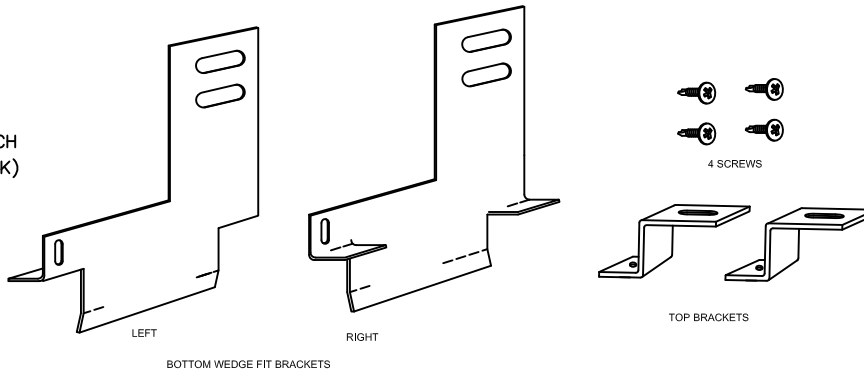
WEDGE FIT MOUNTING BRACKETS

THESE BRACKETS ARE USED WHERE THERE IS NO METAL FRAME TO ATTACH THE STANDARD BRACKETS OR THE ALTERNATIVE MOUNTING BRACKETS. THESE BRACKETS ARE DESIGNED TO FIT IN THE SPACE BETWEEN THE REFRACTORY AND THE METAL BOX.

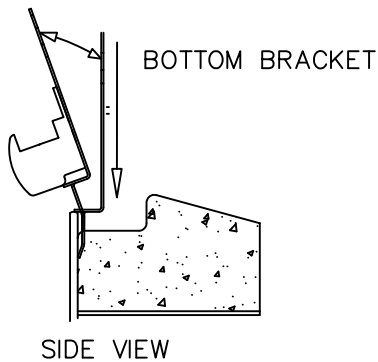
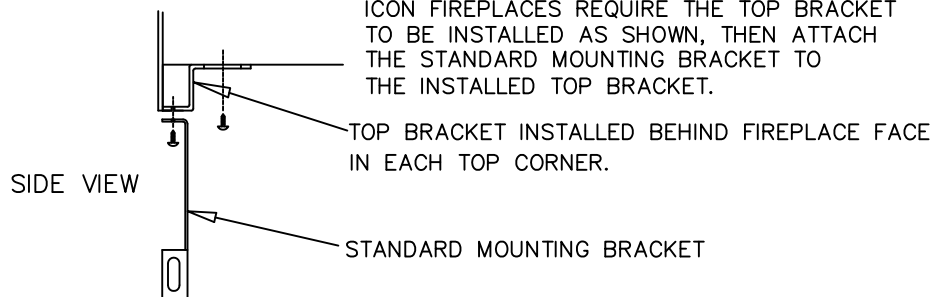
NOTE: NO MOUNTING PROVISIONS FOR FIREPLACE DOORS HAVE BEEN MADE FOR THESE FIREPLACES BY THE MANUFACTURER. FIREPLACE DOORS DESIGNED FOR THE SHR UNITS ONLY REQUIRE THE USE OF THE LARGE BOTTOM BRACKETS IN ADDITION TO THE STANDARD MOUNTING BRACKETS FOR THE TOP.

TOOLS NEEDED:

- PENCIL
- 1/8" DRILL
- PHILLIPS SCREWDRIVER
- PLIERS OR 11/32" WRENCH
(IF WINGNUTS DON'T WORK)
- 3/32" ALLEN WRENCH
(FOR ADJUSTMENT)



FRONT VIEW
TOP BRACKET



SIDE VIEW
BOTTOM BRACKET

